

# 1985 CHEROKEE/WAGONEER (2.1L DIESEL) ENGINE SCHEMATICS

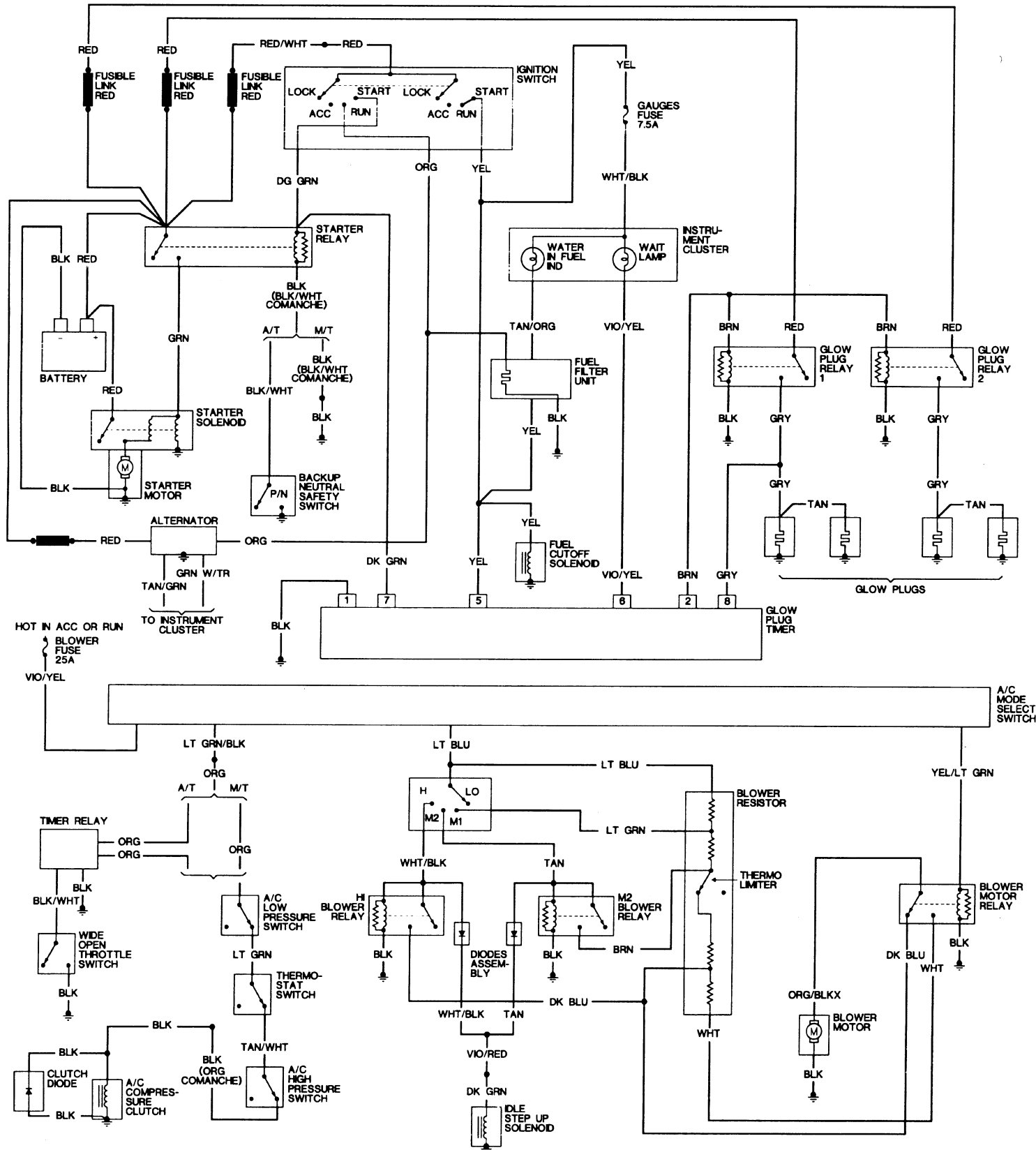


DIAGRAM 7