

HOODS 3G

INDEX

	Page		Page
Cherokee-Wagoneer-Truck Models	3G-1	Hood Lock	3G-3
CJ and Scrambler Models	3G-1	Tools	3G-4
Hood Bumper	3G-3		

CJ AND SCRAMBLER MODELS

General

The CJ and Scrambler hood consists of an outer flanged panel with inner U-channels welded at the front and rear of the hood panel.

Removal and Disassembly

- (1) Mark position of hinges on their respective mounting panels before removing hood.
- (2) Detach hood panel from hinges by removing attaching screws, lockwashers, and flat washers.
- (3) Disassembly of CJ and Scrambler hood is accomplished by removing hood prop rod, hood prop rod retainer clip, hood side catch brackets, footman loop, and windshield bumpers (fig. 3G-1).

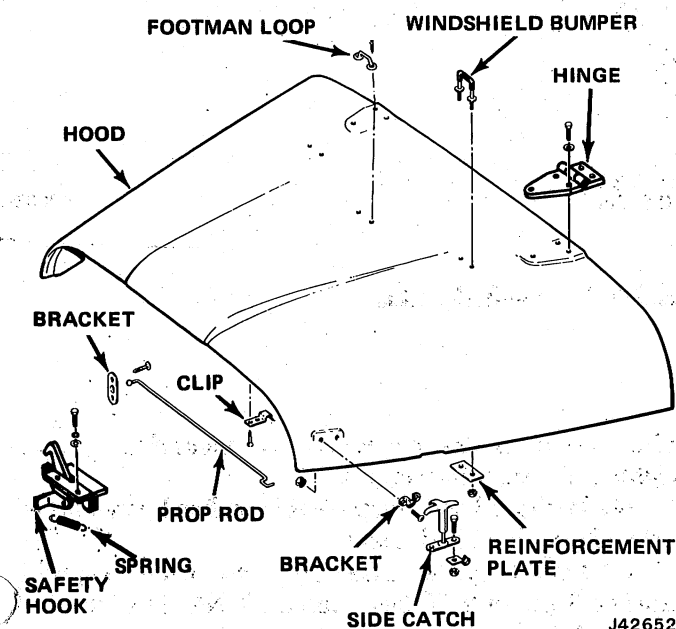


Fig. 3G-1 Hood and Related Parts—CJ and Scrambler Models

Assembly and Installation

- (1) Finger-tighten related component parts and assemblies to hood panel.
- (2) Position hood panel assembly and align hinges with scribe marks on the respective mounting panels. Tighten all attaching screws.
- (3) Check hood alignment. Adjust if necessary.

Alignment

The hood hinge mounting holes are oversized to permit adjustment when aligning the hood.

- (1) Loosen hinge mounting screws slightly on one side and tap hinge in opposite direction hood is to be moved.
- (2) Tighten screws.
- (3) Repeat procedure on opposite hinge.

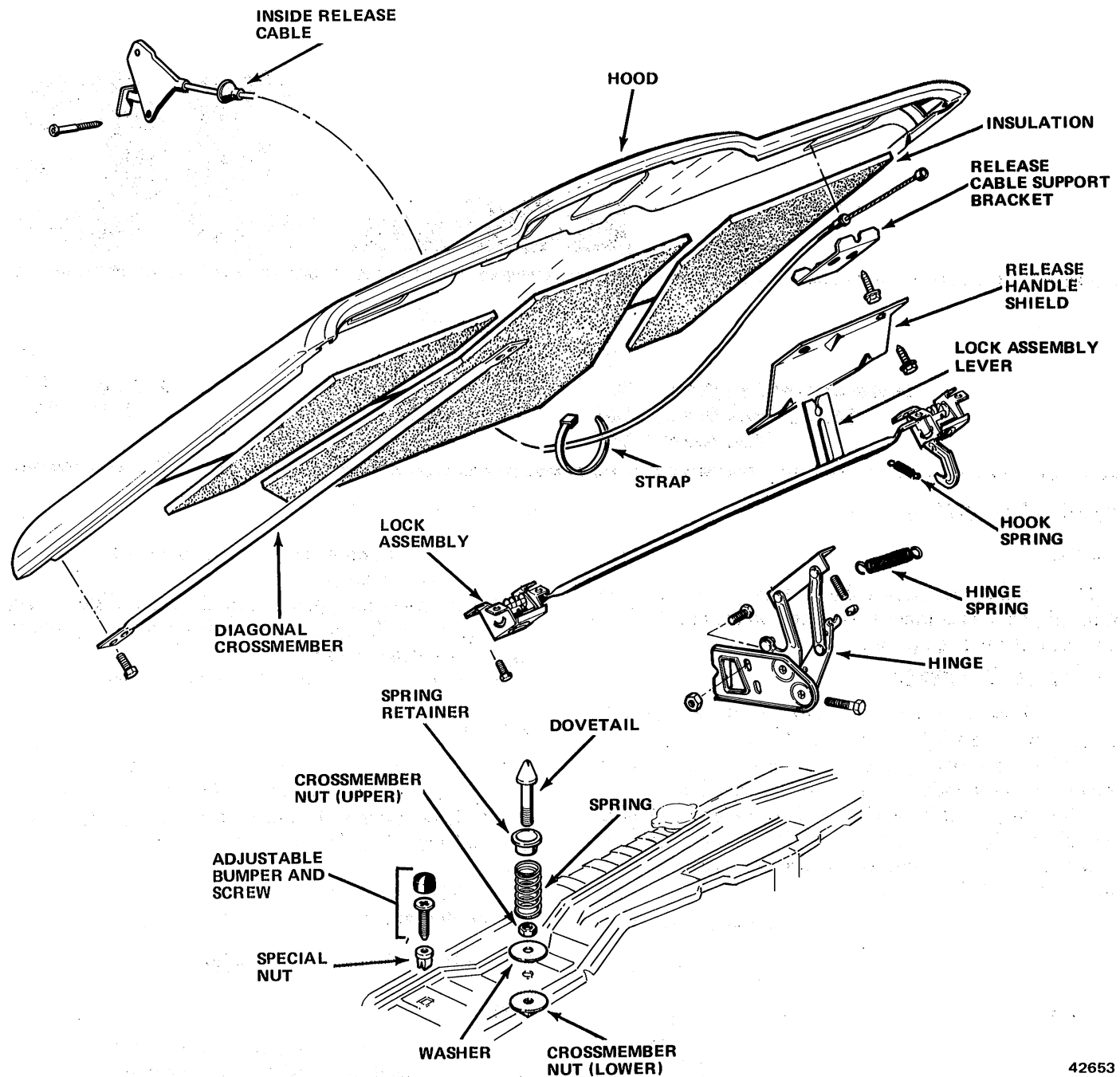
CHEROKEE-WAGONEER-TRUCK MODELS

General

The Cherokee, Wagoneer and Truck hood consists of an outer flanged panel with reinforcements welded at front, rear and both sides.

Removal and Disassembly

- (1) Mark position of hinges on their respective mounting panels before removing hood.
- (2) Disconnect hood release cable from lock assembly and remove cable support bracket and lower cable.
- (3) Remove tie straps from hood panel brace rod.
- (4) Detach hood panel from hinges by removing attaching screws, lockwashers, and flat washers.
- (5) Disassembly of hood is accomplished by removing hood lever lock assembly, left and right hood panel brace rods, and insulation pad (Cherokee and Wagoneer) cemented to hood panel (fig. 3G-2).



42653

Fig. 3G-2 Hood and Related Parts—Cherokee-Wagoneer-Truck Models

Assembly and Installation

- (1) Finger-tighten related component parts and assemblies to hood panel.
- (2) If Cherokee or Wagoneer hood panel insulation pad has been removed, clean off all loose cement and pad particles from panel to ensure good adhesion when recemented.
- (3) Position hood panel assembly and align hinges

- with scribe marks on respective mounting panels. Tighten all attaching screws.
- (4) Position hood release cable on hood panel brace rod and attach with tie straps.
- (5) Install cable assembly and cable support bracket. Tighten to 15 foot-pounds (20 N•m) torque.
- (6) Attach cable end to lock assembly.
- (7) Check hood alignment. Adjust if necessary.

Alignment

The hood hinge mounting holes are oversized to permit adjustment when aligning the hood.

NOTE: *If the hood must be moved to either side, the hood lock assembly and dovetail assembly must first be loosened.*

(1) Loosen hinge mounting screws slightly on one side and tap hinge in opposite direction hood is to be moved.

(2) Tighten screws.

(3) Repeat procedure on opposite hinge.

(4) Hood lock assembly and dovetail assembly must be adjusted to ensure positive locking.

(5) Shim between hinge and hood with shims or flat washers at rear screw if hood is low in relation to the cowl top.

(6) Shim at front screw if hood is too high at cowl.

HOOD LOCK

CJ and Scrambler Models

The CJ and Scrambler hood is secured to the front fenders by two hood retaining latches. To release, pull the latches straight up and turn slightly at the end of travel. The hood now may be raised with the release of the safety catch by inserting fingers between the grille bars to the right of center and by pulling to the left on the catch. To secure the hood in the raised position, remove the prop rod from its retaining clip and insert the free end into the prop rod bracket.

Cherokee-Wagoneer-Truck Models

Manual Release of Hood Lock

In case of cable failure, the hood lock can be released manually. Using a long flat bladed screwdriver, insert screwdriver through the grille panel and push lock assembly lever rearward.

Hood Lock

The hood lock assembly incorporates two locks and two strikers. A safety catch is incorporated in the hood lock.

A cable-controlled inside hood lock release is standard on all models. It is located to the left of the parking brake handle and is operated by rotating the handle upward.

Removal

(1) Raise hood.

(2) Disconnect inside release cable from lock assembly.

(3) Remove screws attaching lock assembly to hood panel.

(4) Remove lock assembly.

Installation

(1) Position lock assembly on hood panel and install attaching screws.

(2) Connect inside release cable.

(3) Adjust lock.

(4) Close hood.

Inside Release Cable

Removal

(1) Remove screws attaching inside release cable bracket to cowl side trim panel using Torx Bit Tool J-25359-C.

(2) Raise hood.

(3) Disconnect hood release cable from lock assembly and remove cable support bracket (fig. 3G-2).

(4) Remove hood cable tie straps.

(5) Remove cable and rubber grommet from dash panel and remove cable.

Installation

(1) Place cable through dash panel and install rubber grommet.

(2) Install screws attaching inside release cable bracket to cowl trim panel using Torx Bit Tool J-25359-C.

(3) Route cable along hood brace rod and attach with tie straps.

(4) Install cable assembly in cable support bracket and tighten to 15 foot-pounds (20 N•m) torque.

(5) Attach cable end to lock assembly.

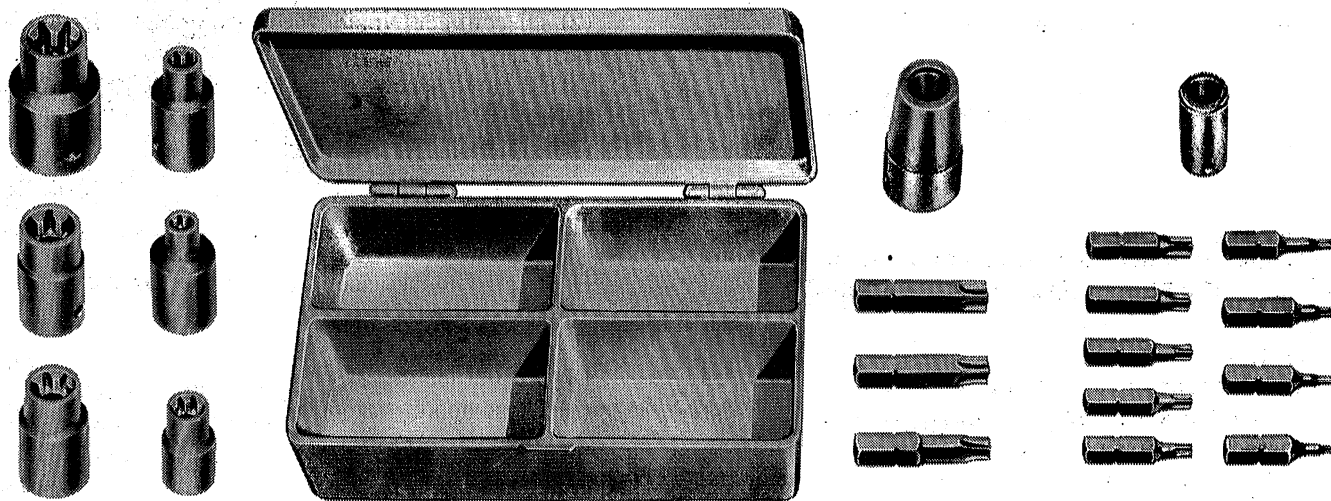
(6) Close hood.

HOOD BUMPER

The hood bumpers on CJ and Scrambler models are located across the top of the radiator grille guard and are not adjustable.

The hood bumpers on the Cherokee, Wagoneer and Truck models are adjustable. Rubber caps must be removed to adjust the bumper screws (fig. 3G-2).

Tools



J-25359-C
TORX BIT AND SOCKET SET