

SECTION 17

MISCELLANEOUS KITS—CJ MODELS

SECTION INDEX

	Page		Page
Chaff Screen	17-1	Saddle Bags	17-4
Floor Console	17-1	Side Steps	17-2
Front Axle Truss	17-2		

CHAFF SCREEN

INSTALLATION

- (1) Place radiator screen into position on radiator grille.
- (2) Snap radiator screen fasteners to radiator grille bars to secure screen in place as shown in figure 17-1.

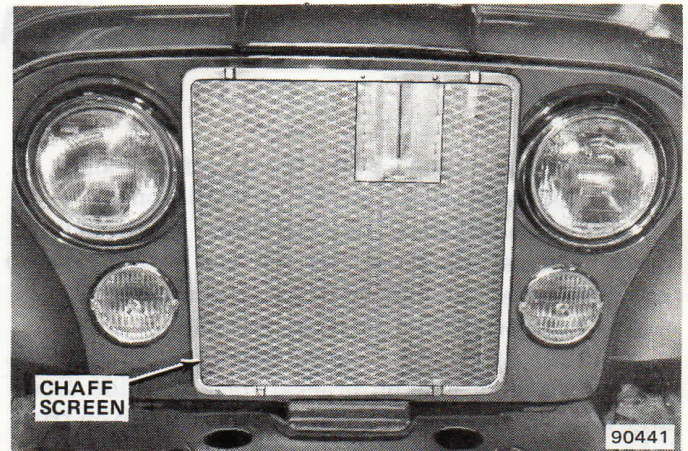


Fig. 17-1 Chaff Screen Installation

FLOOR CONSOLE

GENERAL

The beverage container floor console, available only for bucket seat equipped models, is fabricated from molded plastic material. The floor console cover is provided with a lock and two depressions designed to hold beverage containers. The bottom of the floor console is equipped with a hole, in the rear, allowing ice water to drain onto the ground.

INSTALLATION

- (1) Position console in vehicle an equal distance between front seats and matching floorpan contour front to rear.

NOTE: If vehicle is equipped with carpeting that will be removed for cleaning, mark console outline on carpeting and cut out before mounting.

- (2) Using console as a template, centerpunch and drill four 0.194 (No. 10 drill bit) holes for mounting.
- (3) Attach console to floor with 1/4-inch self-tapping screws (fig. 17-2).
- (4) Drill through drain hole and floorpan with 1/4-inch drill if drain is required.

Console Cover Seal

The console cover seal is attached to the console. The foam seal may be replaced after opening the cover.

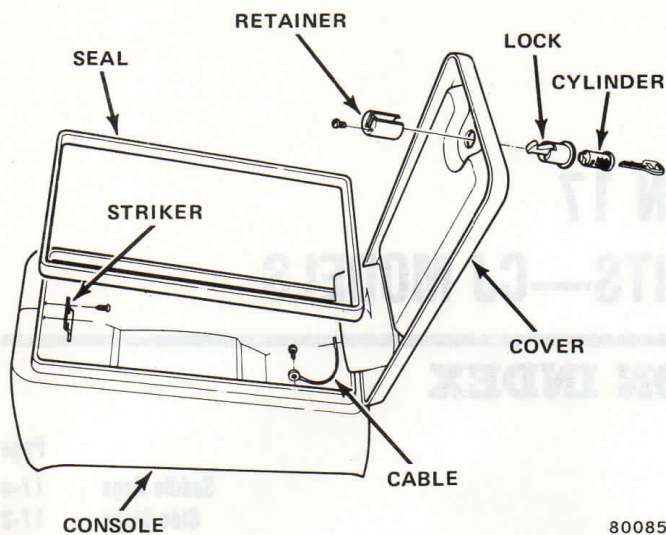


Fig. 17-2 Floor Console Components

Console Cover Lock

Lock Cylinder Removal

- (1) Open console cover.
- (2) Remove screw attaching retainer to lock. Remove retainer from lock.
- (3) Remove lock, cylinder and key as a unit from cover.
- (4) Manually set latch to simulate closed cover position, turn key and cylinder counterclockwise and lift out of lock.

Lock Cylinder Installation

- (1) Manually set latch to simulate closed cover position.
- (2) Insert key and cylinder into lock and turn clockwise. Release latch and remove key.
- (3) Position assembled lock in cover and install retainer and attaching screw.

FRONT AXLE TRUSS

INSTALLATION

- (1) Raise and support vehicle with safety stands.
- (2) Disconnect stabilizer bar on bottom only.
- (3) Disconnect shock absorbers from lower mounts.
- (4) Place a jack under left side spring and raise so that spring does not shift when tie plate is removed.
- (5) Remove spring U-bolts and tie plate.
- (6) Place truss rod through hole in bracket on left side and through hole on bracket for other side. Start large nuts on each end of truss rod. Be sure tab on truss rod mates with differential housing.
- (7) Repeat steps (5) and (6) on right side, centering rod tab on differential housing before tightening nuts on U-bolts.
- (8) Tighten nuts on U-bolts to 55 foot-pounds (75 N•m) torque.
- (9) Tighten large nuts on outside ends of rod 32 to 46 foot-pounds (43-62 N•m), being sure tab stays in position (fig. 17-3).

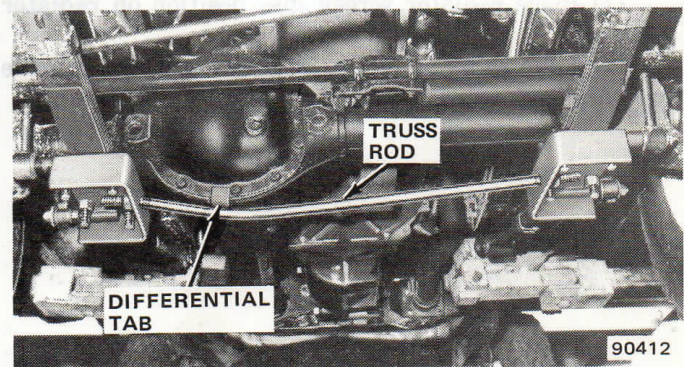


Fig. 17-3 Front Axle Truss Installation

NOTE: The truss rod is pre-bent; however, as there are many spring combinations, the rod may require slight rebending to fit certain vehicle applications.

- (10) Connect shock absorbers to lower mounts.
- (11) Connect stabilizer bar.
- (12) Remove supports and lower vehicle.

SIDE STEPS

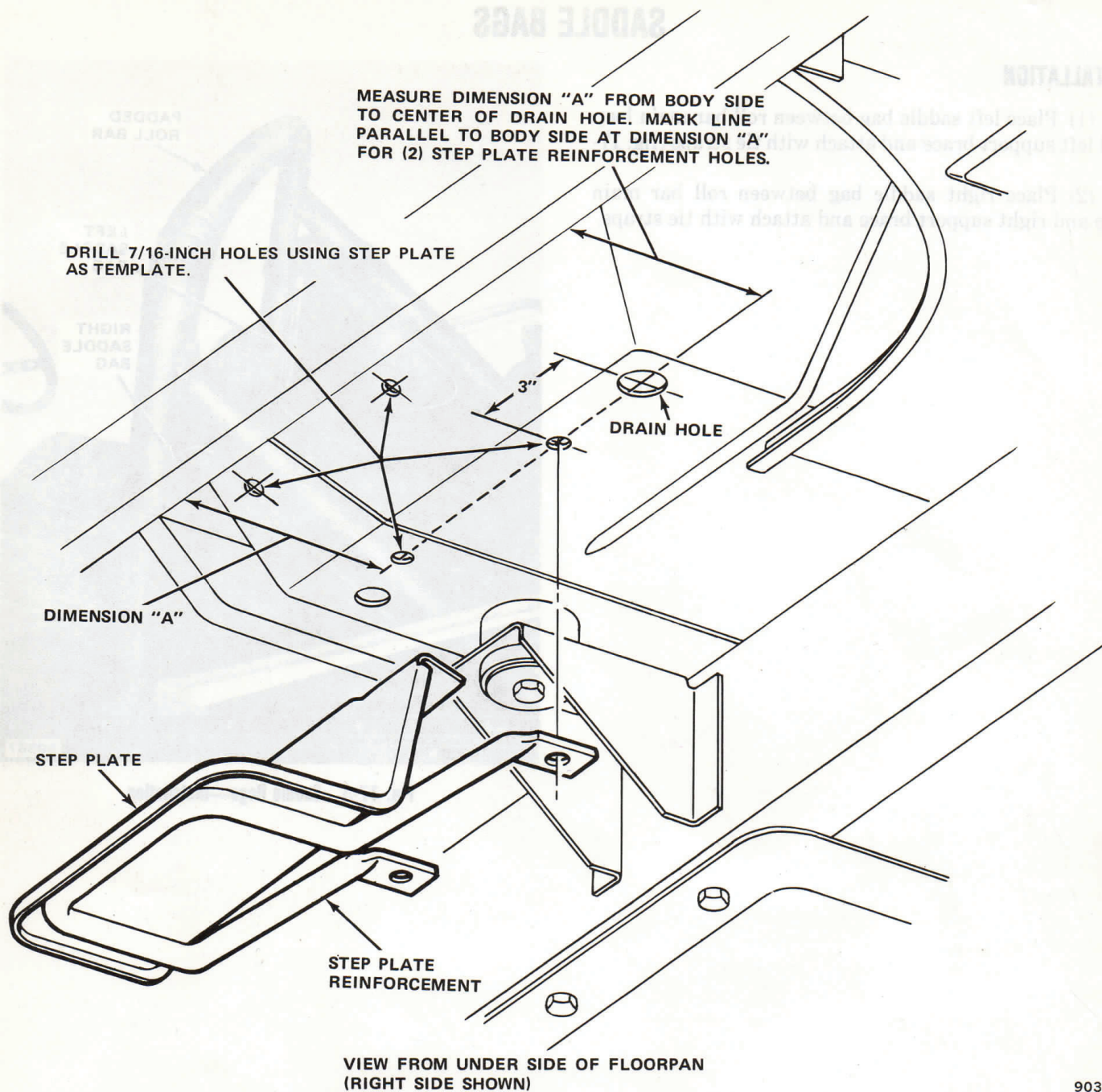
INSTALLATION

- (1) Measure distance from center of floor drain hole to edge of body side (dimension A).
- (2) Locate this same measurement (dimension A) rearward at approximately the body mount and draw a horizontal line between these two points (fig. 17-4).

- (3) Using step plate as a template, mark four hole locations.

NOTE: The off-set in step plates should fit tight against edge of floorpan reinforcement.

- (4) Centerpunch four hole locations and drill four 7/16-inch holes.



90397

Fig. 17-4 Side Step Installation

(5) Attach step plate to floorpan with 3/8-inch bolts and flat washers through floorpan and step plate securing with lockwashers and nuts.

(6) Tighten nuts to 20 foot-pounds (27 N•m) torque.
 (7) Repeat steps (1) through (6) to complete other side.

SADDLE BAGS

INSTALLATION

(1) Place left saddle bag between roll bar main loop and left support brace and attach with tie straps (fig. 17-5).

(2) Place right saddle bag between roll bar main loop and right support brace and attach with tie straps.

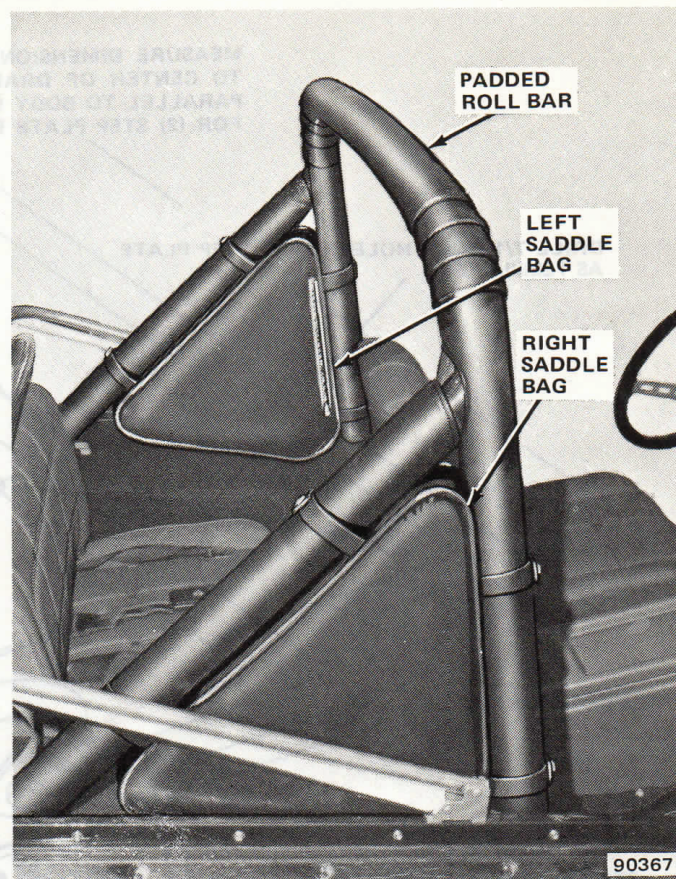


Fig. 17-5 Saddle Bags—Installation