

SECTION 13 LUGGAGE AND SKI RACKS

SECTION INDEX

	Page		Page
Luggage Carrier	13-3	Ski Rack	13-4
Luggage Rack	13-1		

LUGGAGE RACK

GENERAL

The luggage rack (fig. 13-1) consists of side rails, adjustable end rails, end and center supports, and roof mounted slats.

The ends and center supports are attached to the roof top with rubber-coated well nuts and machine screws. The roof slats are attached with sheet metal screws.

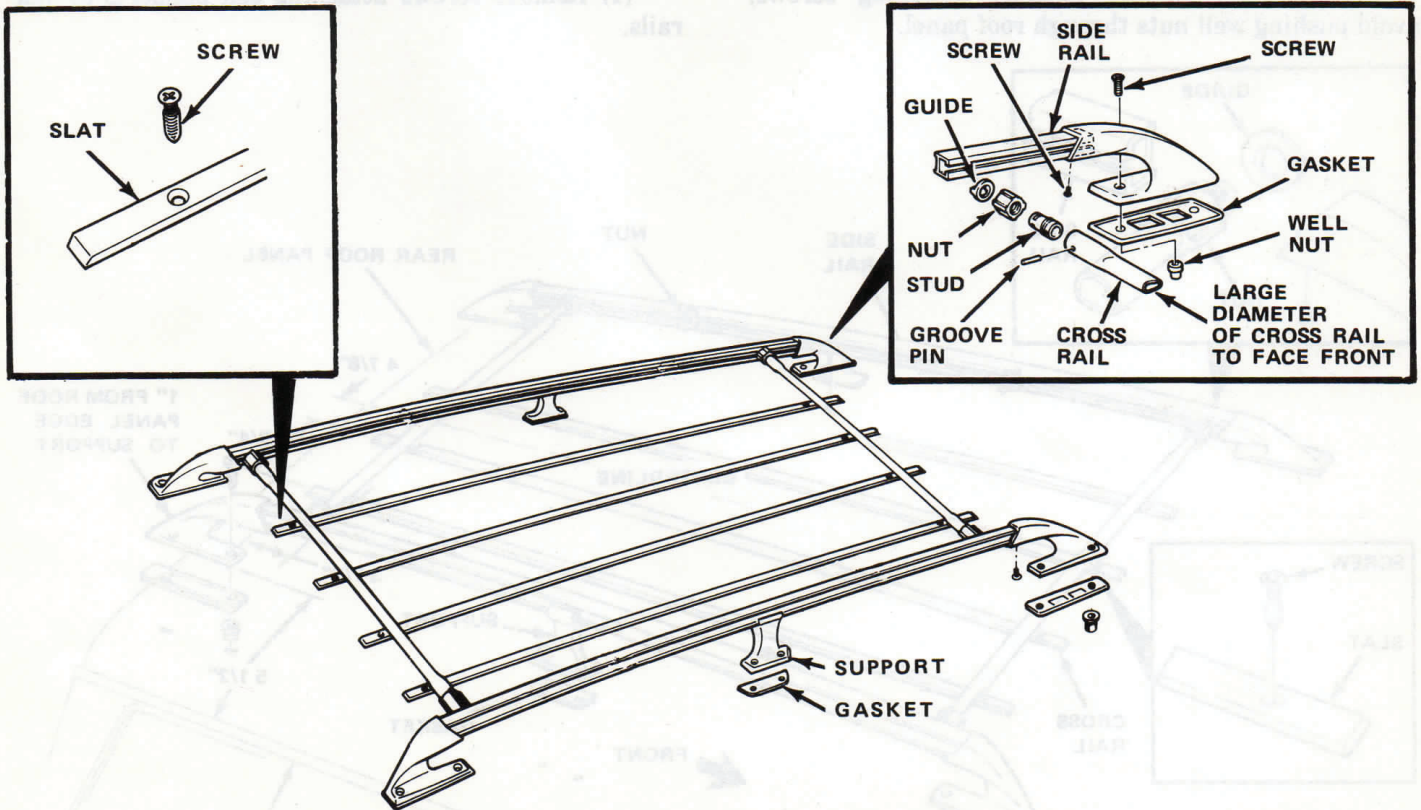


Fig. 13-1 Luggage Rack

INSTALLATION—CHEROKEE-WAGONEER

- (1) Position center supports on side rails and install attaching screws
- (2) Install tiedown studs in side rails, if equipped.
- (3) Assemble and install cross rails in side rails; be sure large diameter of cross rail faces front of vehicle. Hand-tighten cross rail nuts.
- (4) Position end supports on side rails and install attaching screws.
- (5) Position rack assembly on roof and locate as shown in figure 13-2.
- (6) Using rack as a template; locate, centerpunch and drill 1/8-inch diameter pilot holes at marked location

CAUTION: Use a drill spacer to prevent piercing headliner when drilling holes in roof.

- (7) Enlarge holes drilled in step (6) above to 1/2-inch diameter.
- (8) Position slats on roof as shown in figure 13-2. Locate, centerpunch and drill 1/8-inch diameter holes.
- (9) Position slats on roof and install attaching screws.
- (10) Insert rubber well nuts into 1/2-inch diameter holes in roof.
- (11) Position support gaskets over well nuts.
- (12) Locate rack on roof and start screws into well nuts.
- (13) Carefully tighten support attaching screws, avoid pushing well nuts through roof panel.

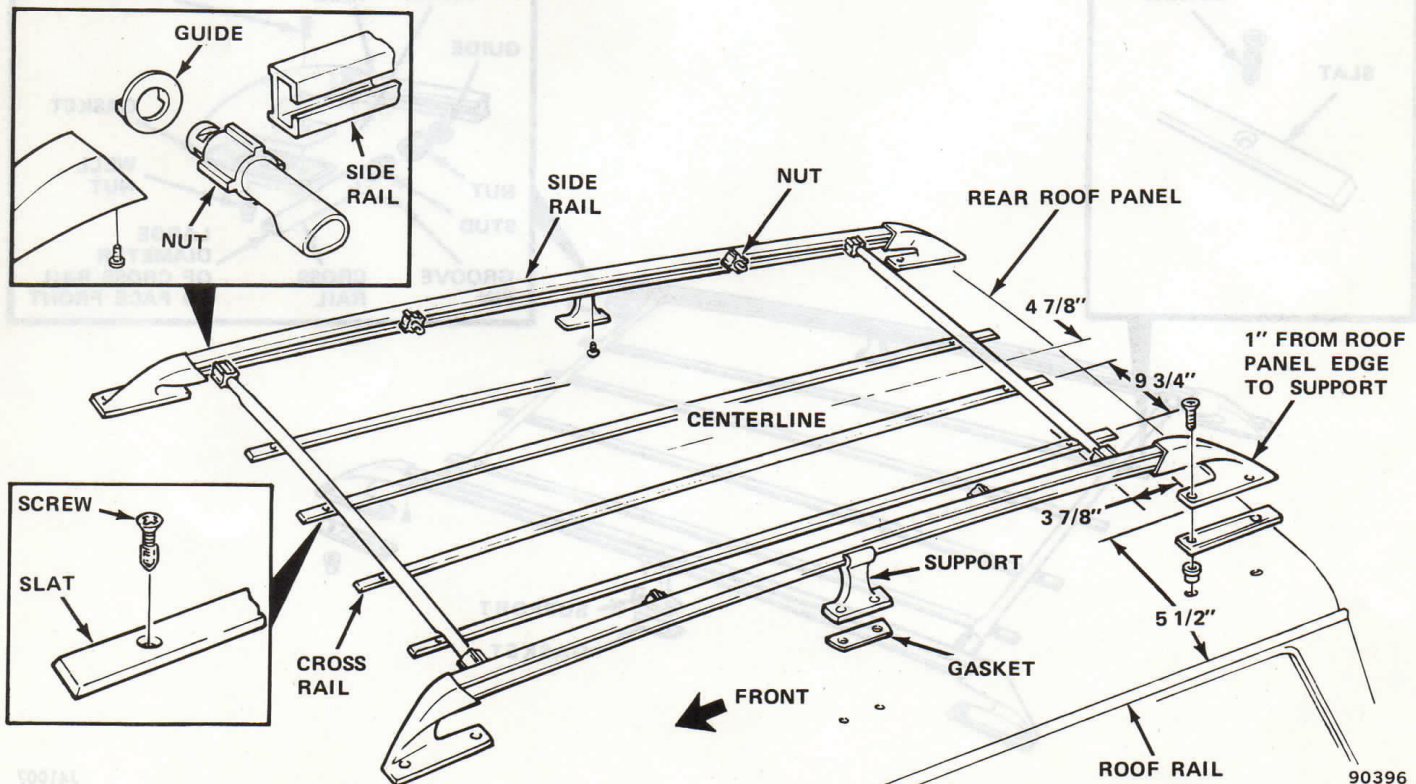


Fig. 13-2 Luggage Rack Installation Position

COMPONENT REPAIR/REPLACEMENT

Support

Removal

- (1) Remove screw(s) attaching support to side rail.
- (2) Remove attaching screws from support.

NOTE: Do not apply extreme pressure to support attaching screws during removal or installation as this may cause the well nuts to drop between the roof panel and headliner.

- (3) Remove support and gasket from roof.

Installation

- (1) Position support on side rail.
- (2) Position support and gasket on roof.
- (3) Coat screw threads with 3M Drip-Chek Sealer or equivalent, and install screws. Tighten screws to 28 inch-pounds (3 N•m) torque.
- (4) Install screw(s) attaching support to side rail.

Adjustable End Rail

Removal

- (1) Remove screws attaching end supports to side rails.

- (2) Remove attaching screws from end supports.

NOTE: Do not apply extreme pressure to support attaching screws during removal or installation as this may cause the well nuts to drop between the roof panel and headliner.

- (3) Remove end supports and gaskets from roof.
- (4) Loosen adjustable end rail locknuts and remove adjustable end rail from side rails.

Installation

- (1) Position adjustable end rail in side rails.
- (2) Position end supports on side rails.
- (3) Position end supports and gaskets on roof.
- (4) Coat screw threads with 3M Drip-Chek Sealer or equivalent, and install screws. Tighten screws to 28 inch-pounds (3 N•m) torque.
- (5) Install screws attaching end supports to side rails.
- (6) Tighten adjustable end rail locknuts.

Side Rail

Removal

- (1) Remove screws attaching side rail to supports.

- (2) Remove screws attaching end support to roof.

NOTE: Do not apply extreme pressure to support attaching screws during removal or installation as this may cause the well nuts to drop between the roof panel and headliner.

- (3) Remove end support and side rail.

Installation

- (1) Position side rail on supports.
- (2) Position end support and gasket on roof.
- (3) Coat screw threads with 3M Drip-Chek Sealer or equivalent, and install screws. Tighten screws to 28 inch-pounds (3 N•m) torque.
- (4) Install screws attaching side rail to supports.

Roof Slat

Removal

- (1) Remove screws attaching roof slat to roof.
- (2) Remove roof slat.

Installation

- (1) Position roof slat on roof.
- (2) Install screws attaching roof slat to roof.

LUGGAGE CARRIER

GENERAL

Heavy water-proof vinyl cover over a hardboard floor

and rugged steel frame provide extra capacity for equipment. Six straps secure the carrier to the luggage rack as shown in figure 13-3.

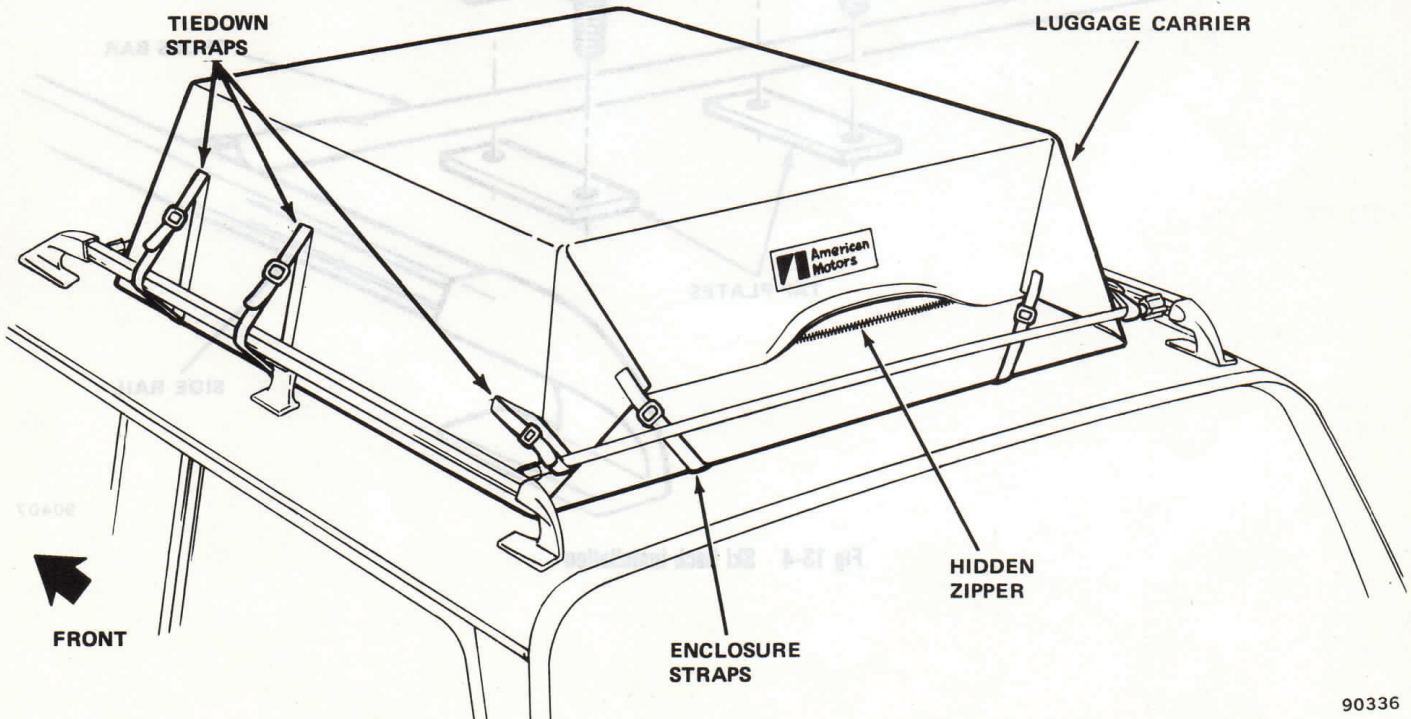


Fig. 13-3 Luggage Carrier Installation

INSTALLATION—CHEROKEE-WAGONEER

(1) Erect steel frame inside carrier and slip side bar ends into loops on cross bars.

INSTALLATION—CHEROKEE-WAGONEER

(1) Adjust luggage rack cross rails to obtain a 30- to 36-inch spread.

(2) Place ski carriers on rack cross rails (fig 13-4), position tapping plates below cross rails and engage attaching screws.

(2) Position luggage carrier on luggage rack and fasten six straps securely to rack rails as shown in figure 13-3.

(3) Align front and rear ski carriers and tighten attaching screws securely.

NOTE: For proper operation, refer to the **WARNING NOTICE** sheet furnished with the ski racks.

SKI RACK

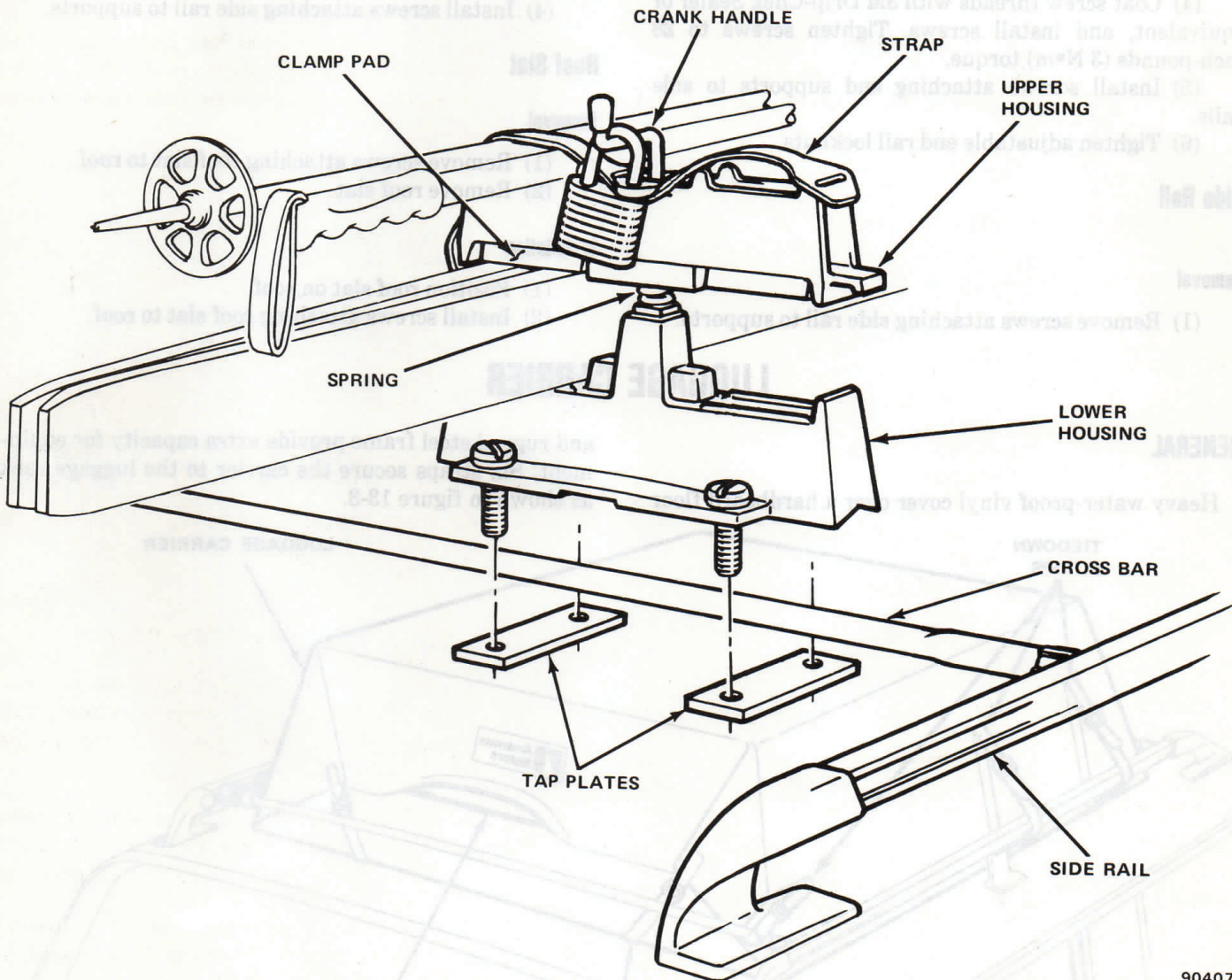


Fig 13-4 Ski Rack Installation

90407