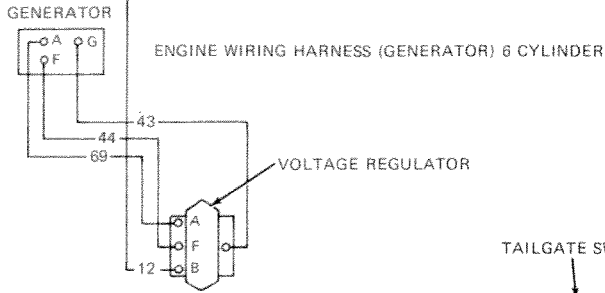
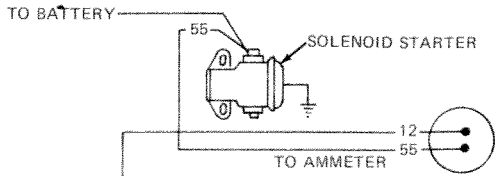
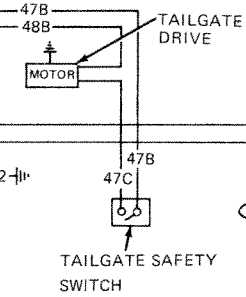
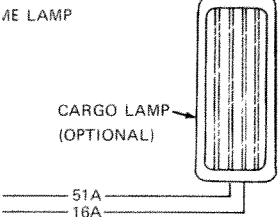
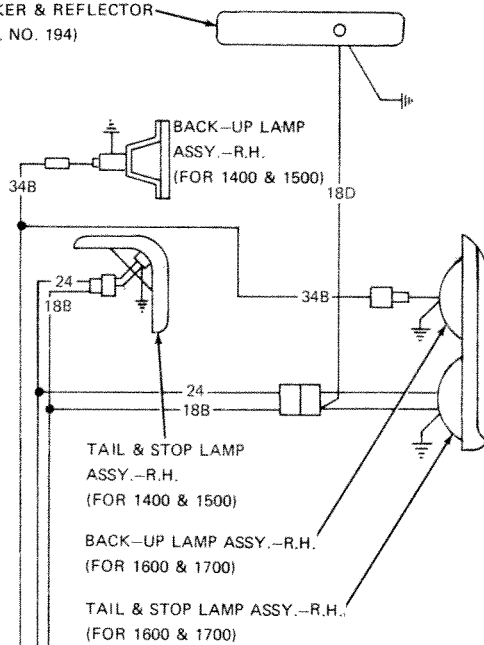


LAMP ASSY.—MARKER & REFLECTOR
AMBER (BULB—G.E. NO. 194)



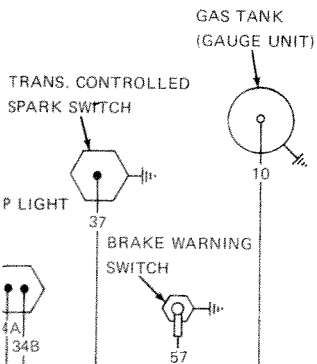
DIRECTIONAL SIGNAL SWITCH	
POSITION	CIRCUIT
RIGHT TURN & LANE CHANGE	L, J & N CONNECTED P & M CONNECTED
NEUTRAL	P, M & N CONNECTED
LEFT TURN & LANE CHANGE	L, H & M CONNECTED P & N CONNECTED
HAZARD (4-WAY) WARNING SWITCH	J, P, H & K CONNECTED

TAILGATE SWITCH



ARNESS

S — DOME LAMP & LAMP OPTIONAL



FRAME HARNESS

FOR AUTOMATIC OR REMOTE SHIFT TRANSMISSION

BACK-UP LIGHT SWITCH LOCATED ON STEERING COLUMN

