

SEAT ASSEMBLIES AND ADJUSTERS

	Page		Page
Front Seat Assembly Service	19-1	Rear Seat Assembly Service	19-3
General	19-1	Seat Belts and Shoulder Harness	19-3
Rear Seat Assemblies	19-2	Shoulder Harness Service Installation	19-4

GENERAL

Front Bucket Seats

New bucket seats with durable knitted vinyl inserts are standard on the Cherokee and optional on Wagoneer and Truck models. The passenger side bucket seat is adjustable fore and aft and has a forward tilting seat back which permits access to the rear seat on Cherokee models and, on Truck models, provides better access to the tool storage area behind the seats. For passenger safety, the tilting seat back is equipped with a lock pawl assembly which retains the seat back in its normal upright position.

Front Bench Seats

The fore-and-aft seat adjuster mechanism for Wagoneers and Trucks has been improved by the addition of a turnbuckle to allow for slight dimensional variances during production assembly of seats and seat support components. The turnbuckle permits the seat sliding and latching components to be adjusted for trouble-free operation. Adjustment of the turnbuckle is covered in this section.

Rear Seat Assemblies

Wagoneer cargo floors have been modified to eliminate the depression under the rear seat. The flatter floor area permits easier cargo loading when the rear seat is folded forward or is removed. The rear seat mounting brackets have been redesigned for easier seat assembly removal. Cherokee cargo area and rear seat mounting are identical to Wagoneer.

Seat Belts and Shoulder Harnesses

Seat belts on Cherokee, Wagoneer, and Truck models are now equipped with integral retractors, replacing the old clip-on type. All seat belts, and the two optional front shoulder harnesses, utilize quick-release push button buckle latches. Cherokee and Wagoneer are equipped with three sets of rear seat belts; the two out-board seat belt retractors are anchored on the wheel housings.

FRONT SEAT ASSEMBLY SERVICE

Adjustment

All driver's seats, except CJ, are horizontally adjustable by means of a control lever located under the

right-hand corner of the seat.

The front seat frame attaches to the seat tracks and the seat tracks, in turn, attach to brackets which are bolted to the floor. Spring-release locks are mounted on the seat tracks and positioned so the lock-stop will fall into one of the notches on the flange of the track. The locks are released by moving the front seat adjustment lever arm.

On CJ Models, additional fore or aft positioning of the driver's seat can be obtained by changing the seat mounting location to any of the three attaching holes provided in the seat support. Remove the four attaching bolts, move the seat to the desired fore or aft position and reinstall the bolts.

Adjustment (Bench Seat)

- (1) Locate turnbuckle under left side of bench seat (fig. 19-1), and loosen turnbuckle wing nut.
- (2) Tighten turnbuckle until slack is removed from wire.
- (3) Back off turnbuckle three turns.
- (4) Secure wing nut up against turnbuckle.

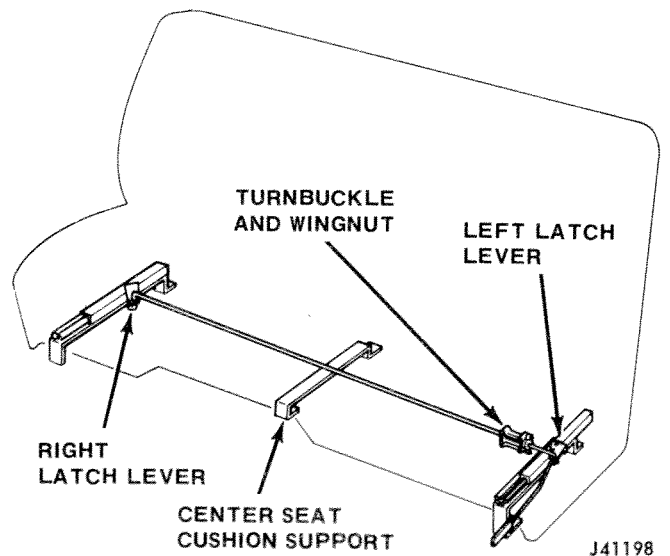


Fig. 19-1 Front Bench Seat Adjustment

- (5) Check for proper seat adjustment operation. If right side of seat will not release, increase tension by tightening turnbuckle. If right side of seat will not lock in place, decrease tension by loosening turnbuckle.

Forward Tilting Seat Back Replacement - Cherokee and Truck

- (1) Remove seat back pivot bolt (fig. 19-2).

(2) Tilt the seat back forward to disengage seat back from inner pivot pin.

(3) Remove seat back.

(4) To install, position seat back to engage inner pivot pin (fig. 19-2).

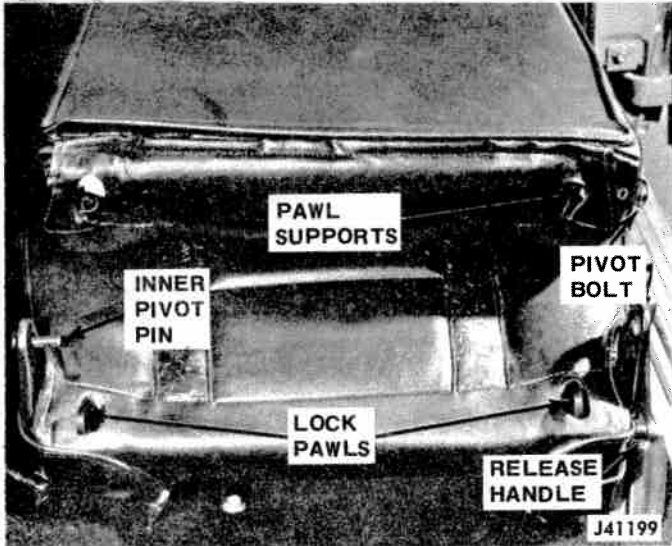


Fig. 19-2 Forward Tilting Seat Back - Cherokee and Truck

(5) Install seat back pivot bolt.

(6) Secure seat back lock.

Tilt Lock Pawl Assembly

The tilt lock pawl assembly is an integral part of the seat frame assembly and must be replaced as a unit. The release handle is serviceable with removal of the release handle screw.

Front Seat Removal

To remove the driver's seat, or a full back bench seat assembly, remove the four bolts and lockwashers that attach the front seat support bracket to the floor pan.

The passenger seat in CJ Models can be removed by tumbling the seat assembly forward, as shown in fig. 19-3. Disengage the right side hinge as the flat area on the hinge pin matches the slot opening in the bracket half of the hinge. Raise the right side of the seat and match the slotted opening and flat area of the pin on the left hinge and remove the seat.

To install, first insert the left hinge pin into the slotted half of the hinge and then engage the right side. Rotate the seat assembly to the normal upright position.

REAR SEAT ASSEMBLIES

CJ Models

The rear seat is of one-piece construction and is mounted by four bolts to two parallel brackets which, in

turn, are secured to the floor of the vehicle by four retainers and two spring-loaded lockpins.

All seats are of spring design and utilize padding and foam rubber in their construction.

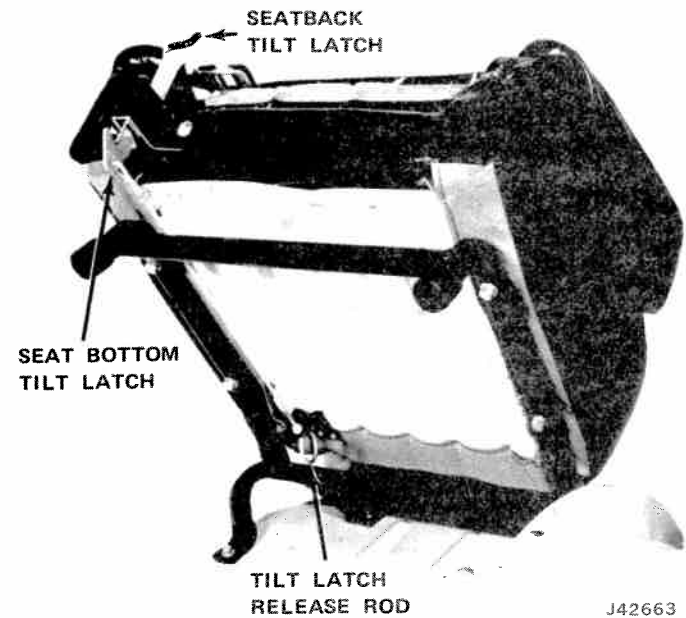


Fig. 19-3 Passenger Seat Assembly - CJ Model

Cherokee and Wagoneer

The full width rear seat is assembled to the body floor by two hinges to allow the seat to be folded up to provide maximum rear cargo loading space, as shown in fig. 19-4.

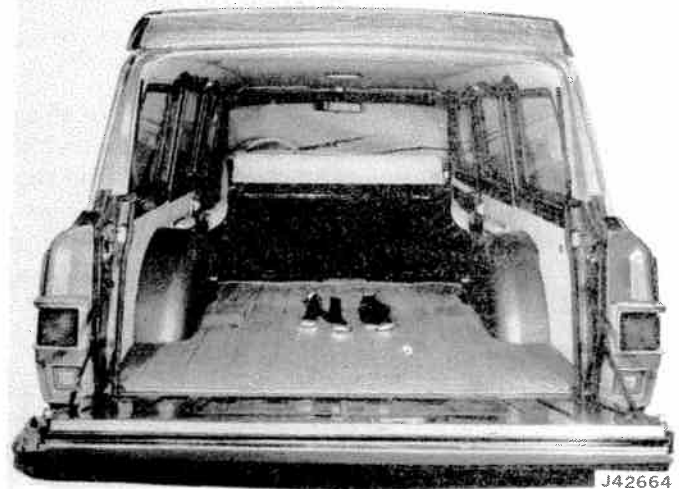


Fig. 19-4. Maximum Rear Cargo Area

A latch on each side of the rear seat back engages a striker bolted into cage nuts on the rear wheelhouse panels. The cage nuts allow movement for striker adjustment.

To tilt the seat back forward, release the latch on the right side by raising the latch lever (fig. 19-5) and simultaneously pulling the seat back forward.

A rear seat holding strap, attached to the door pillar, prevents the seat from falling backward when the seat

is in the folded position as shown in fig. 19-6. It connects the seat frame by means of a pin on the seat frame and an eye on the strap. The strap should always be connected to the seat whenever the seat is in the folded position.

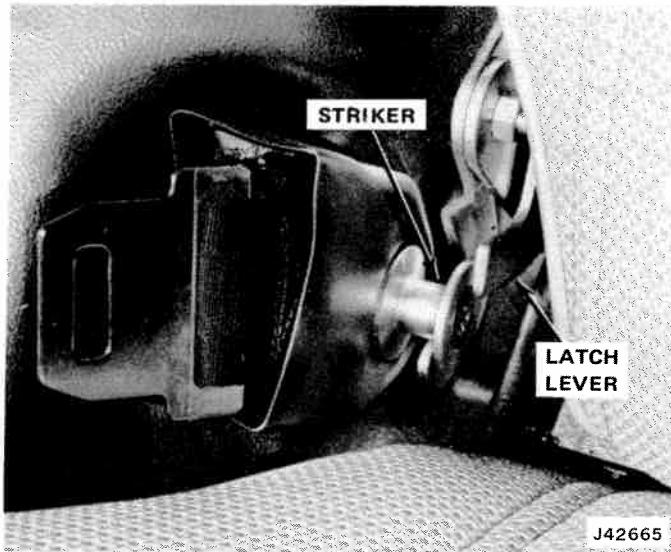


Fig. 19-5 Rear Folding Seat - Latched Position

Adjustment

- (1) Tilt the seat back forward and loosen the striker bolt to allow forced movement of the striker.
- (2) Raise the seat back to the upright position and tap the striker into position for maximum latch/striker engagement.
- (3) Unlatch the seat back carefully so as not to change striker position and then tighten the striker securely.

REAR SEAT ASSEMBLY SERVICE

CJ Models

Removal

- (1) Release two spring-loaded lockpins securing rear seat assembly to rear retainers.
- (2) Slide rear seat assembly forward and free of four retainers.
- (3) Remove rear seat assembly from vehicle.

Installation

- (1) Position rear seat assembly in vehicle.
- (2) Guide rear seat assembly into four retainers.
- (3) Engage two spring loaded lock pins into rear retainers.

Cherokee and Wagoneer

Removal

- (1) Release latch at lower right side of seat back. Raise complete seat assembly forward (fig. 19-7).



Fig. 19-6 Rear Folding Seat, Strapped Position

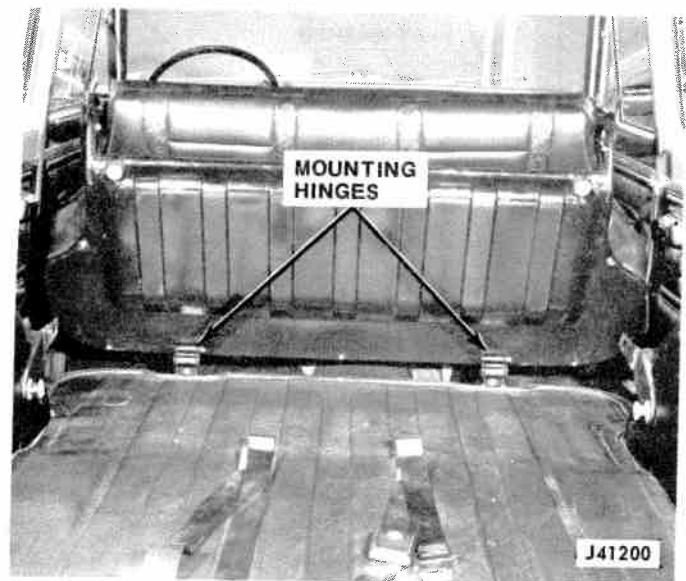


Fig. 19-7 Rear Seat Assembly

- (2) Raise complete seat assembly forward (fig. 19-7).
- (3) Lift complete seat assembly from two floor mounting hinges.
- (4) Remove seat assembly from vehicle.

Installation

- (1) Install seat assembly onto hinges.
- (2) Position seat back in proper location.
- (3) Secure seat back latch.

SEAT BELTS AND SHOULDER HARNESSSES

Removal

- (1) Remove seat belt anchor bolt with Torx bit No. 50 and ratchet handle.
- (2) Remove seat belt.
- (3) Obtain access to seat belt retractor and shoulder harness anchor bolt by removing trim covers.

- (4) Remove seat belt retractor and shoulder harness anchor bolts with Torx bit No. 50 and ratchet handle.
- (5) Remove seat belt retractor and shoulder harness.
- (6) Inspect seat belt and shoulder harness material for evidence of wear, cuts, or fraying. Replace as required.

Installation

- (1) Install seat belt and seat belt retractor anchor bolts. Tighten to 25 to 35 foot-pounds torque.
- (2) Replace seat belt retractor trim cover.
- (3) Replace shoulder harness trim cover.

SHOULDER HARNESS SERVICE INSTALLATION

Cherokee - Wagoneer

Front Seat

A service installation of the front seat shoulder harness can be accomplished as shown in figure 19-8.

Rear Seat

A service installation of the rear seat shoulder harness can be accomplished as shown in figure 19-9.

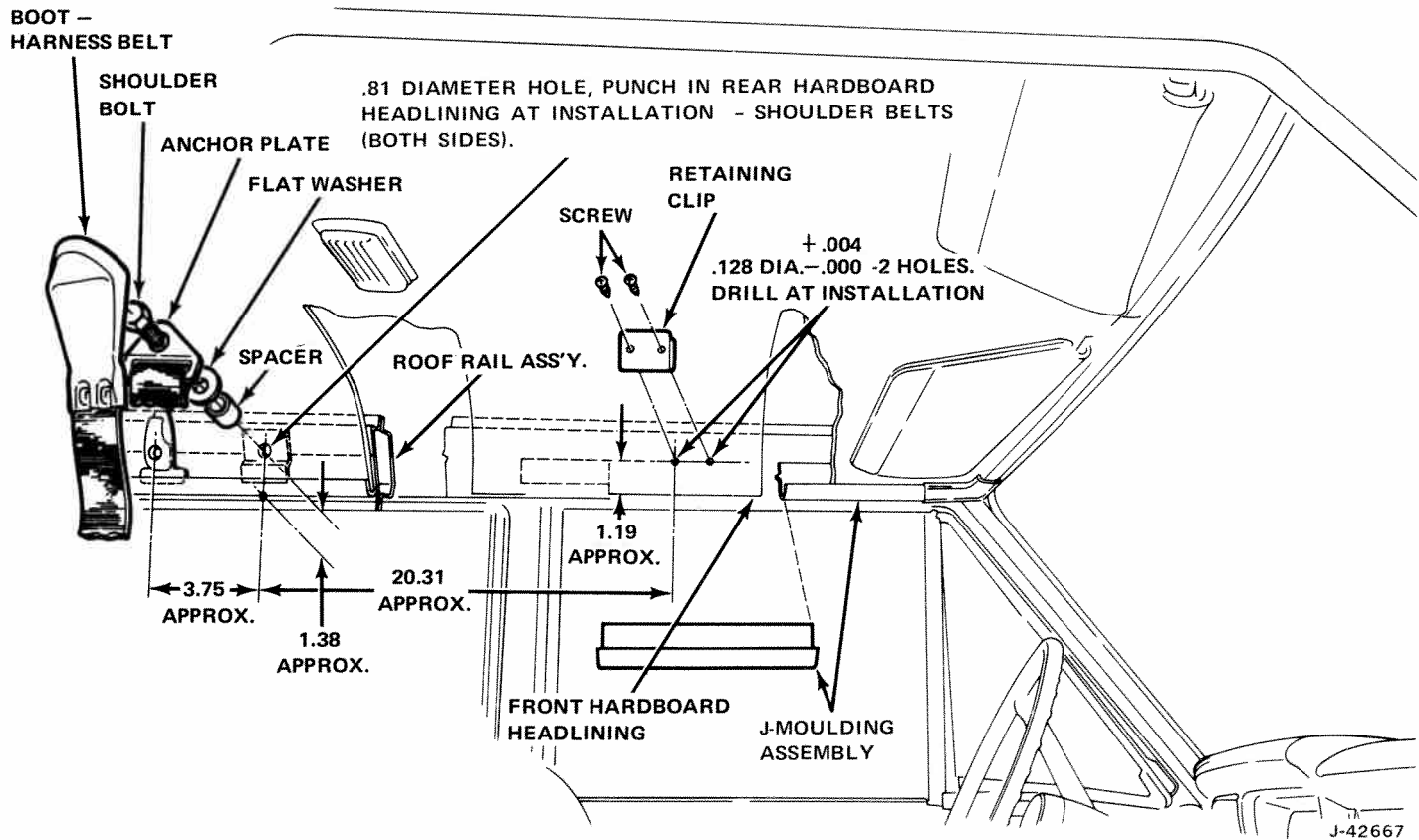


Fig. 19-8 Front Seat Shoulder Harness Installation

