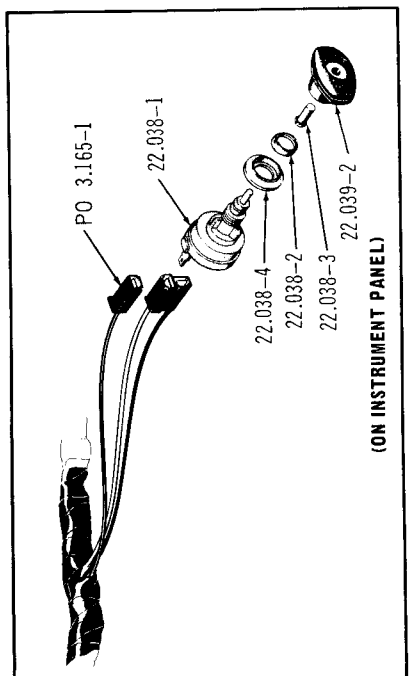
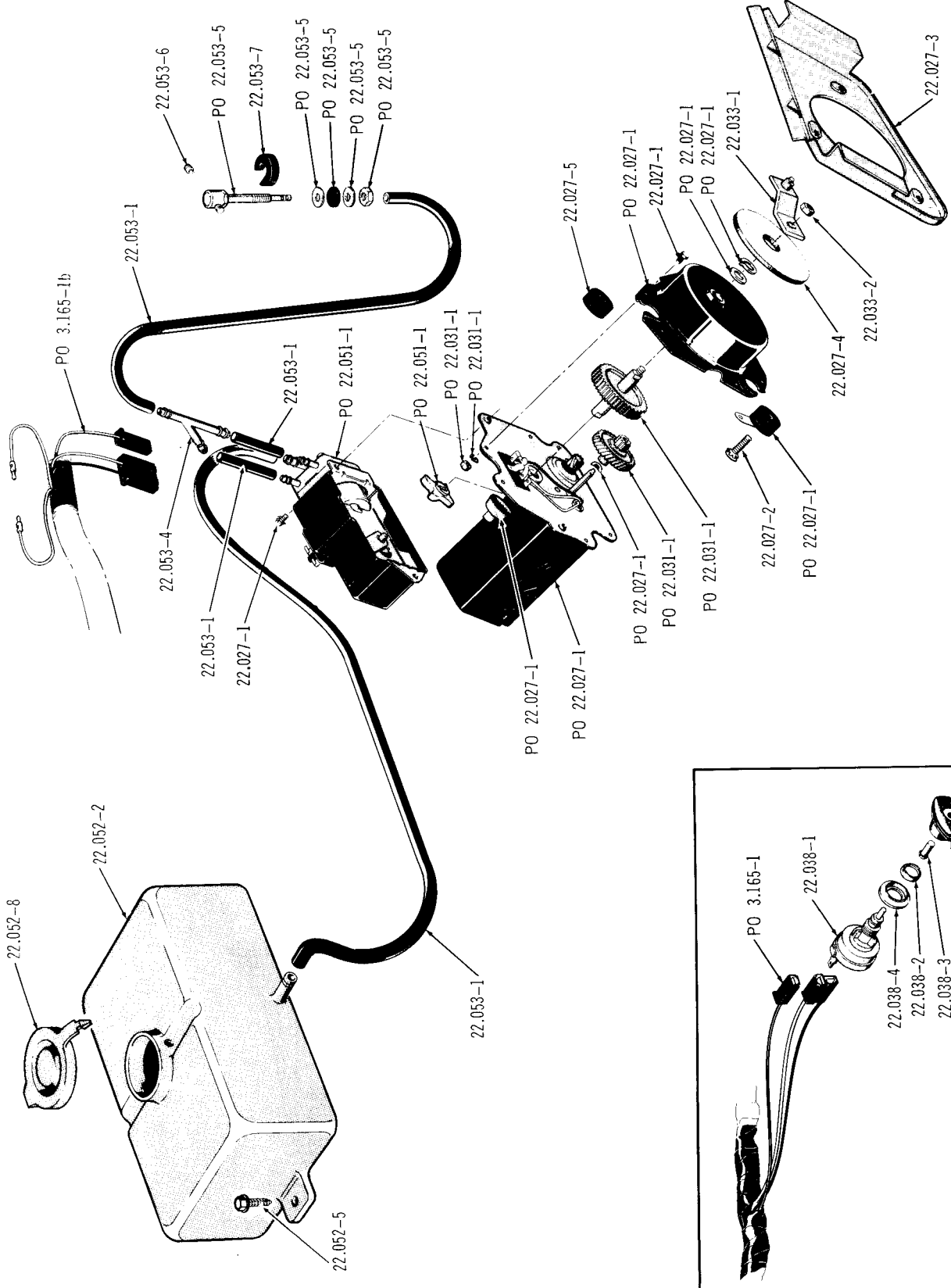


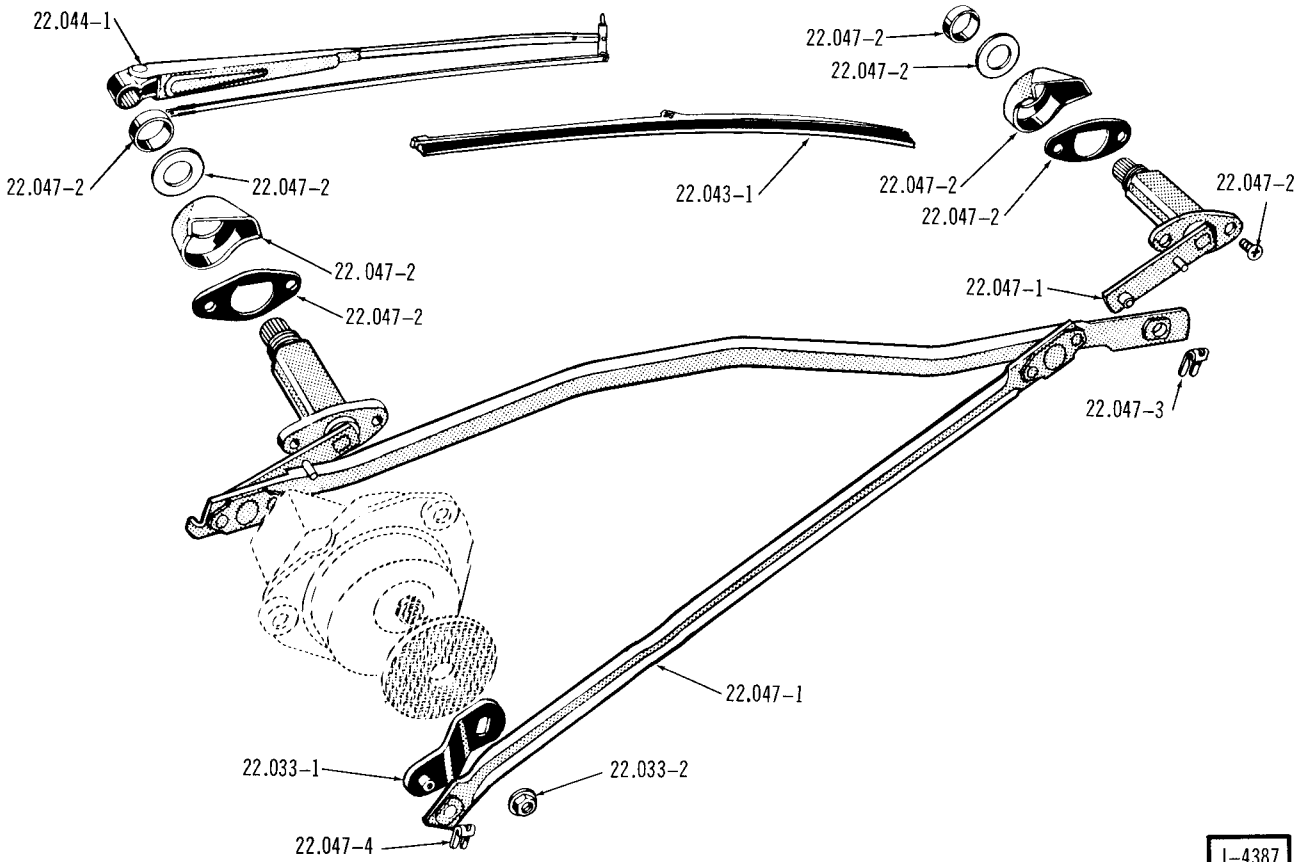
J-4739



TWO-SPEED WIPER MOTOR AND WASHER . . . 1974 10-20-40

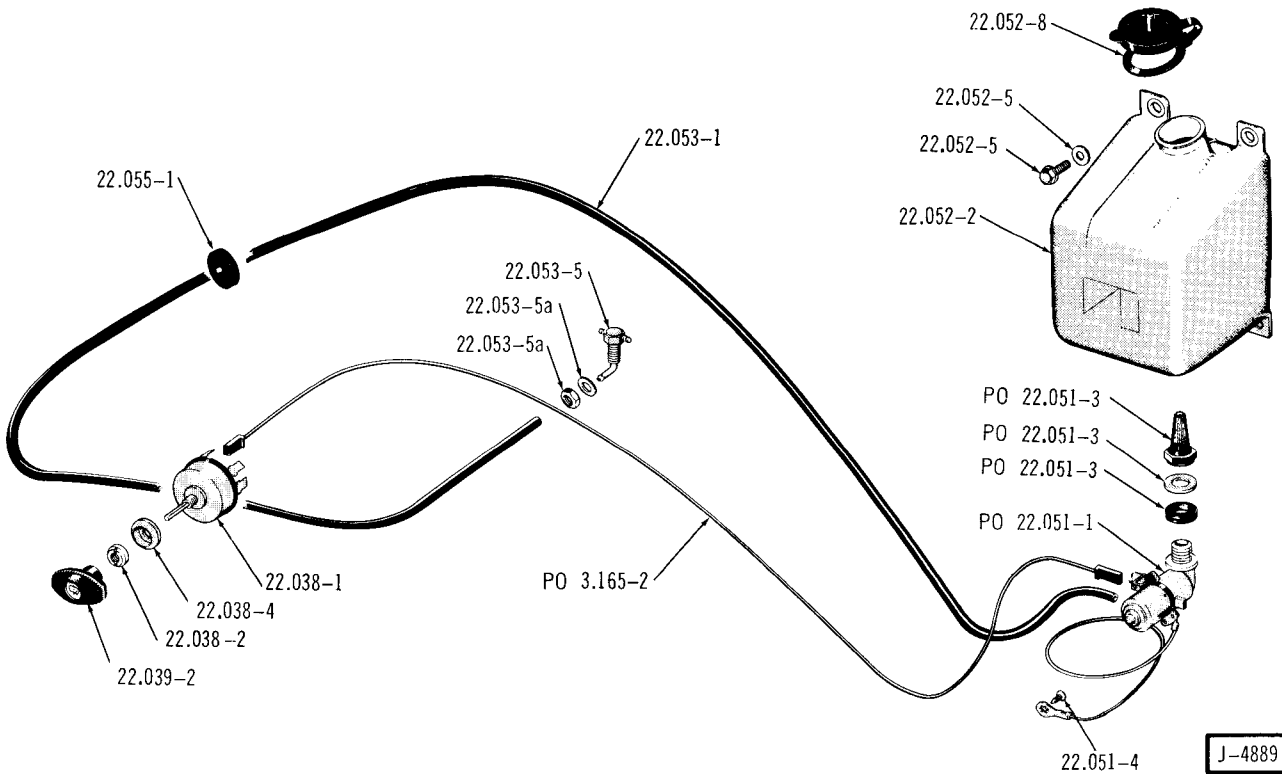






J-4387

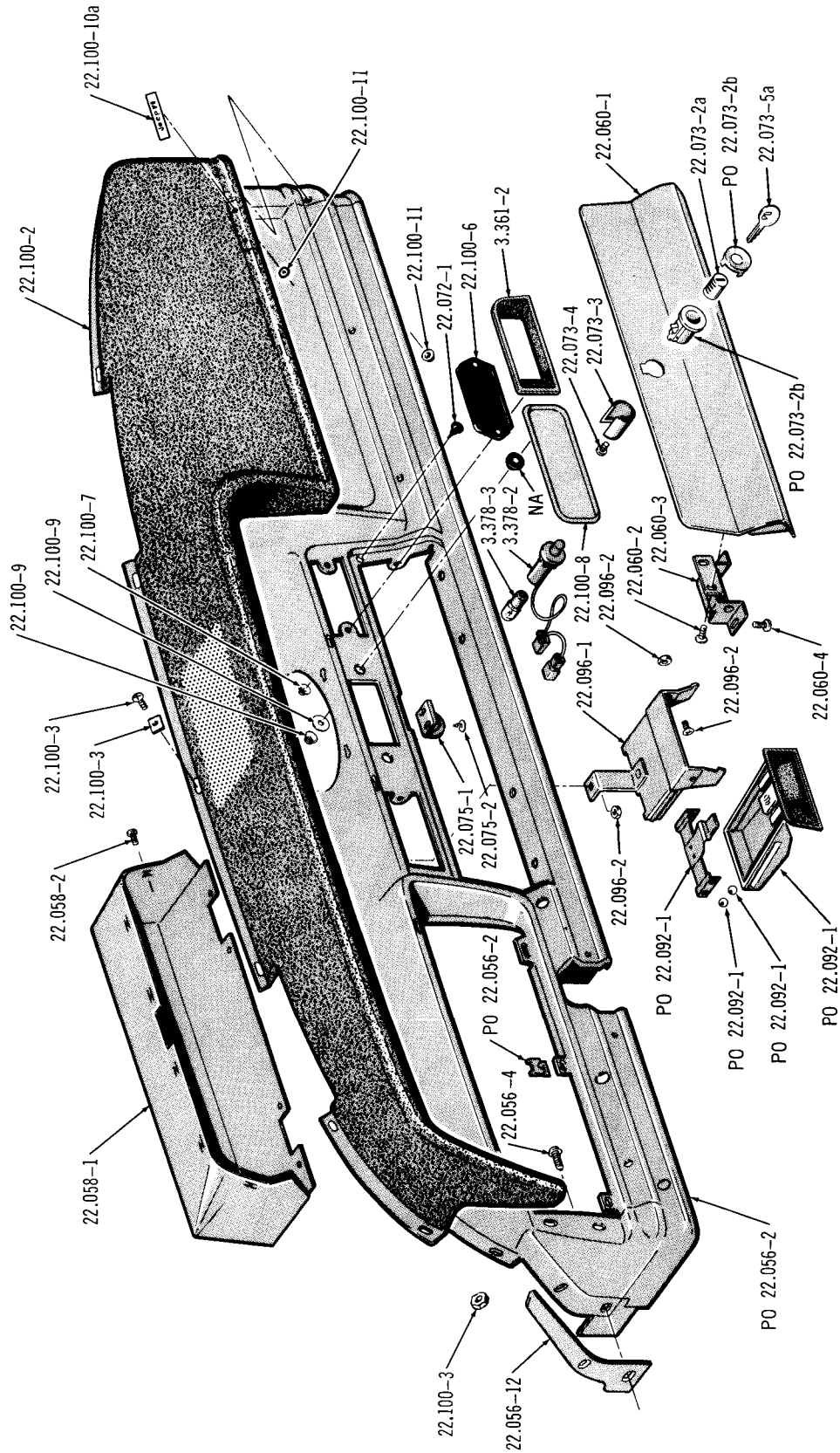
WINDSHIELD WIPER ARMS AND BLADES . . . 10-20-40



J-4889

ELECTRIC OPERATED WINDSHIELD WASHERS . . . 80-90

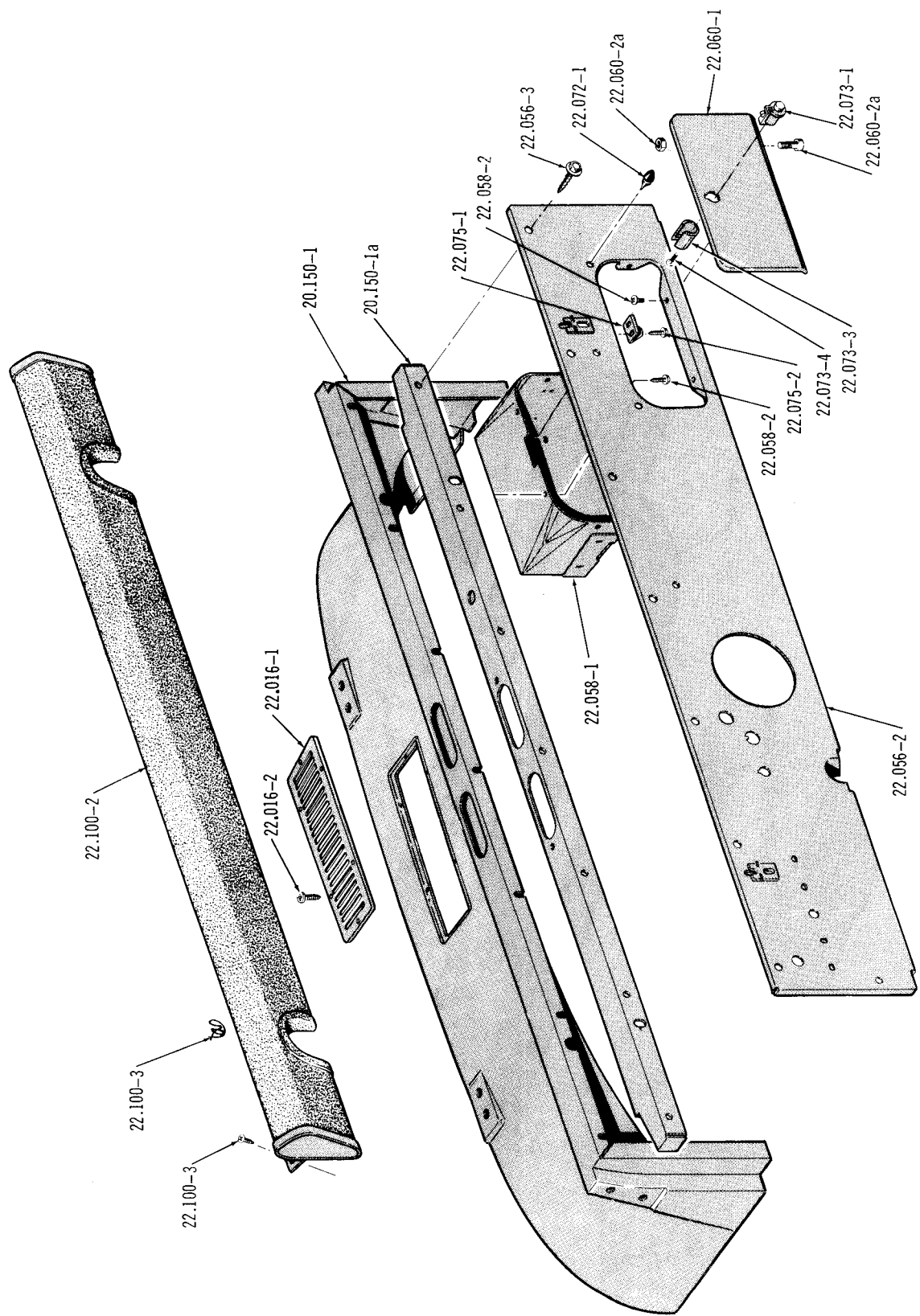
J-5689



INSTRUMENT PANEL, GLOVE BOX AND OVERLAYS... 14-15-20-40

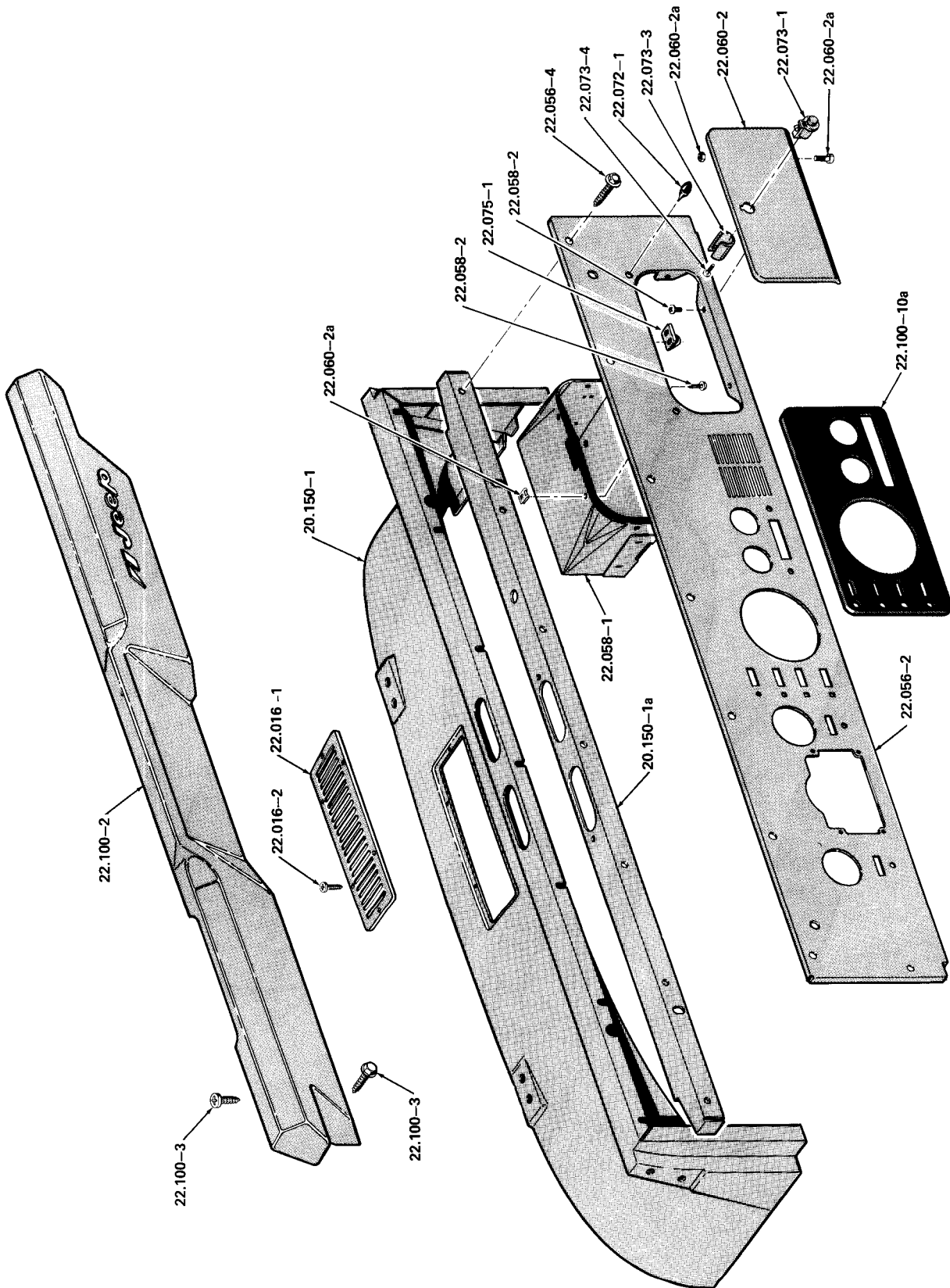


J-4252



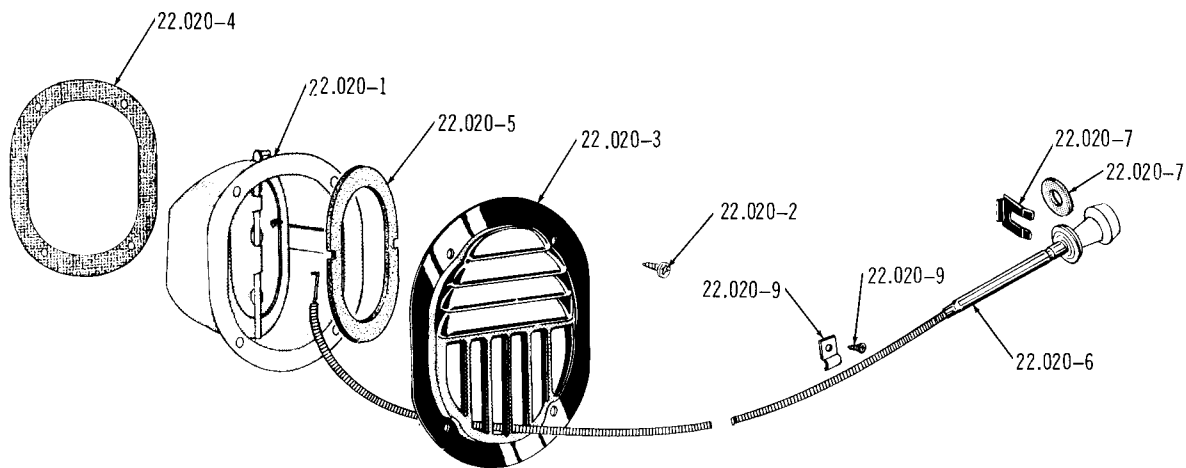
INSTRUMENT PANEL AND COWL . . . 1974/1975 80

J-6043



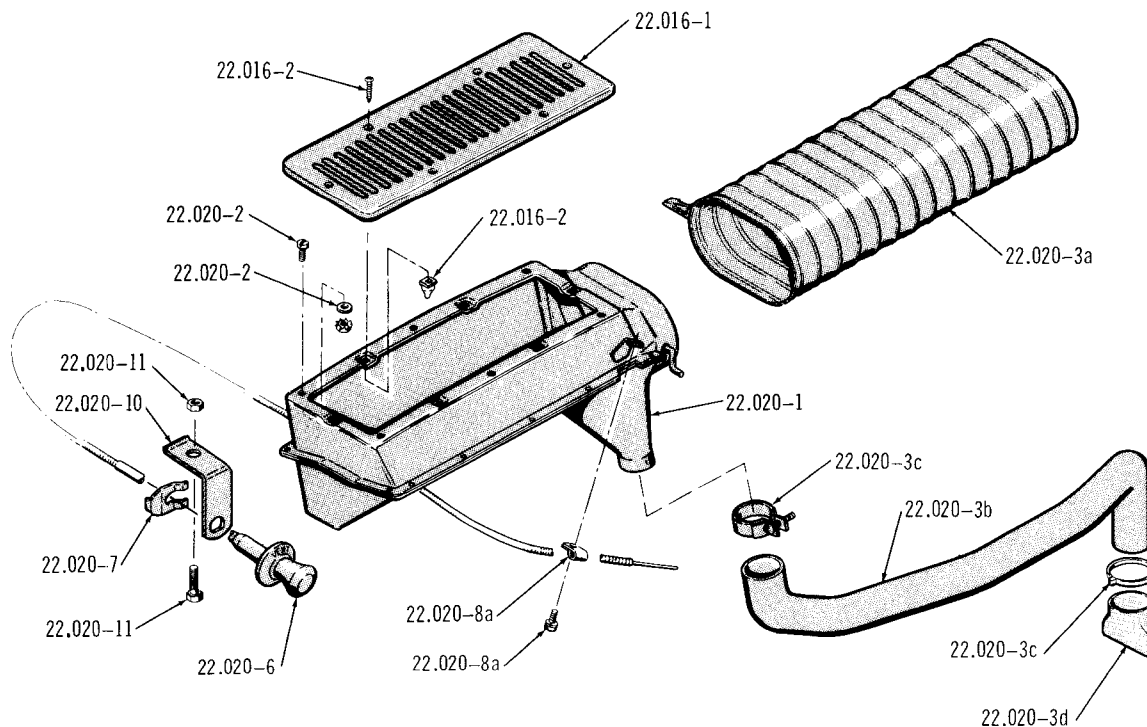
INSTRUMENT PANEL AND COWL . . . 1976 80-90





FRESH AIR INTAKE AND CONTROLS . . . 10-20-40

J-5663



COWL FRESH AIR INTAKE . . . 1974/1975 80

J-4890

