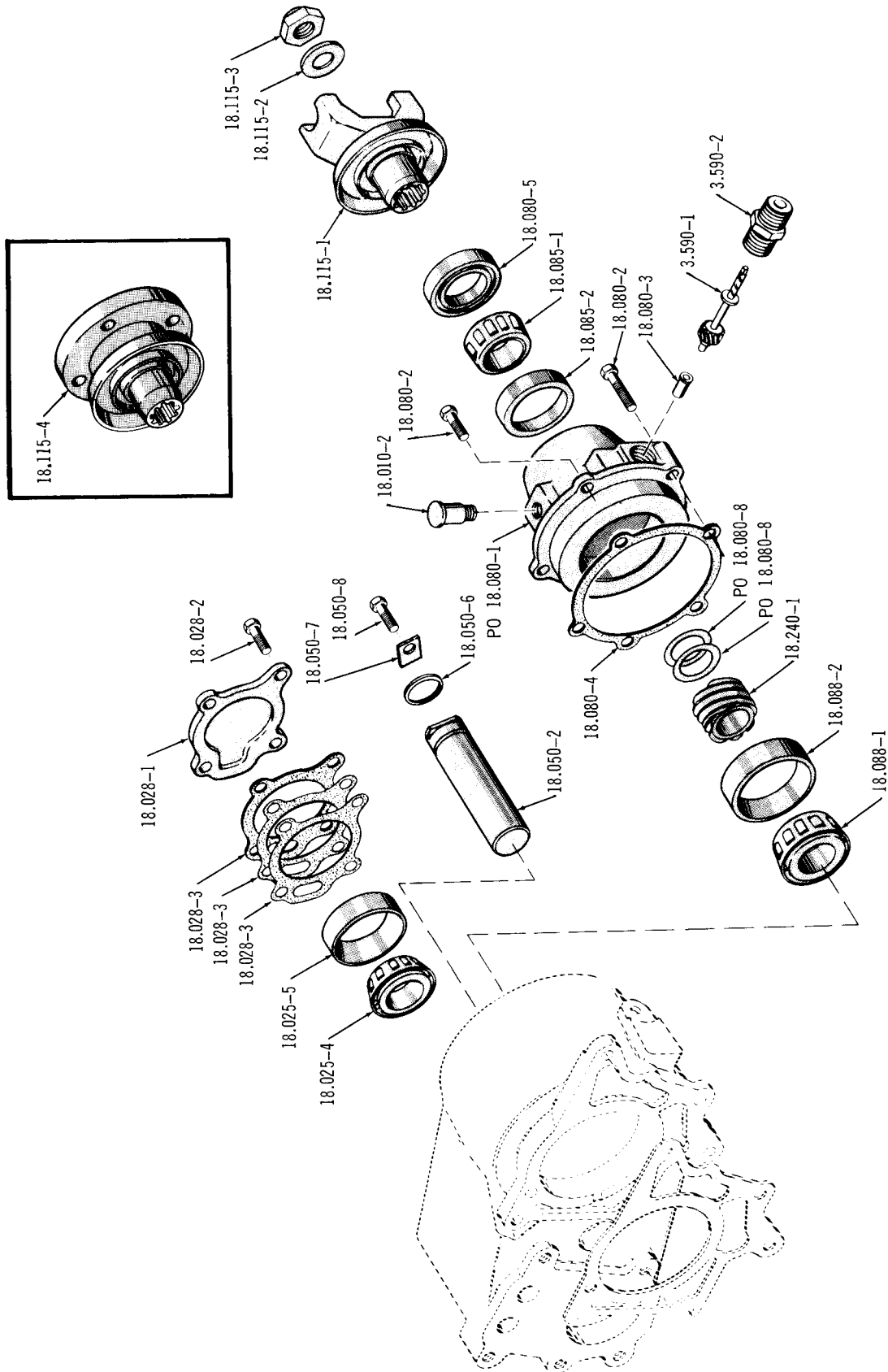
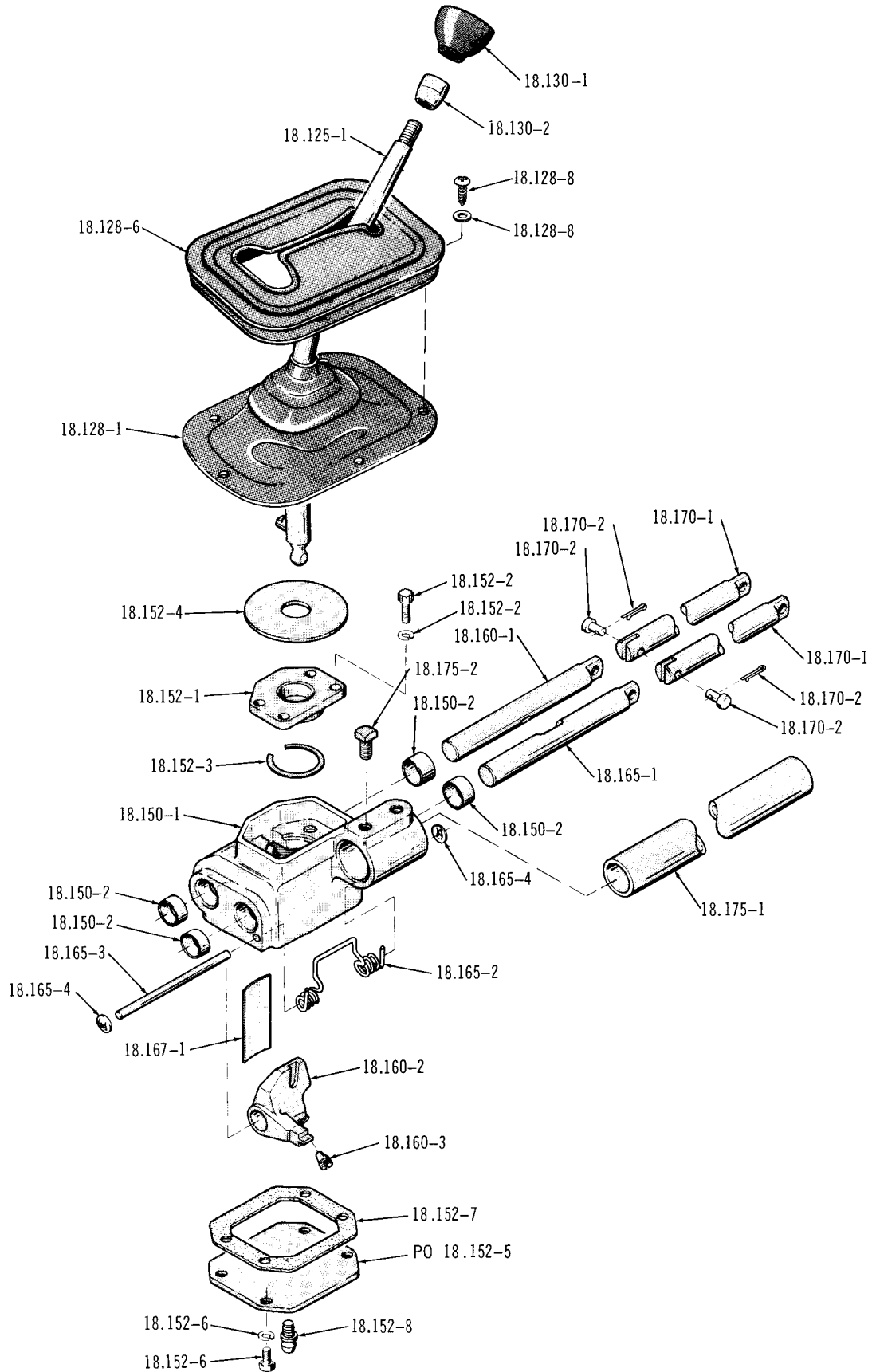


J-4338



DUAL RANGE TRANSFER CASE (Part 1 of 2) . . . LQT



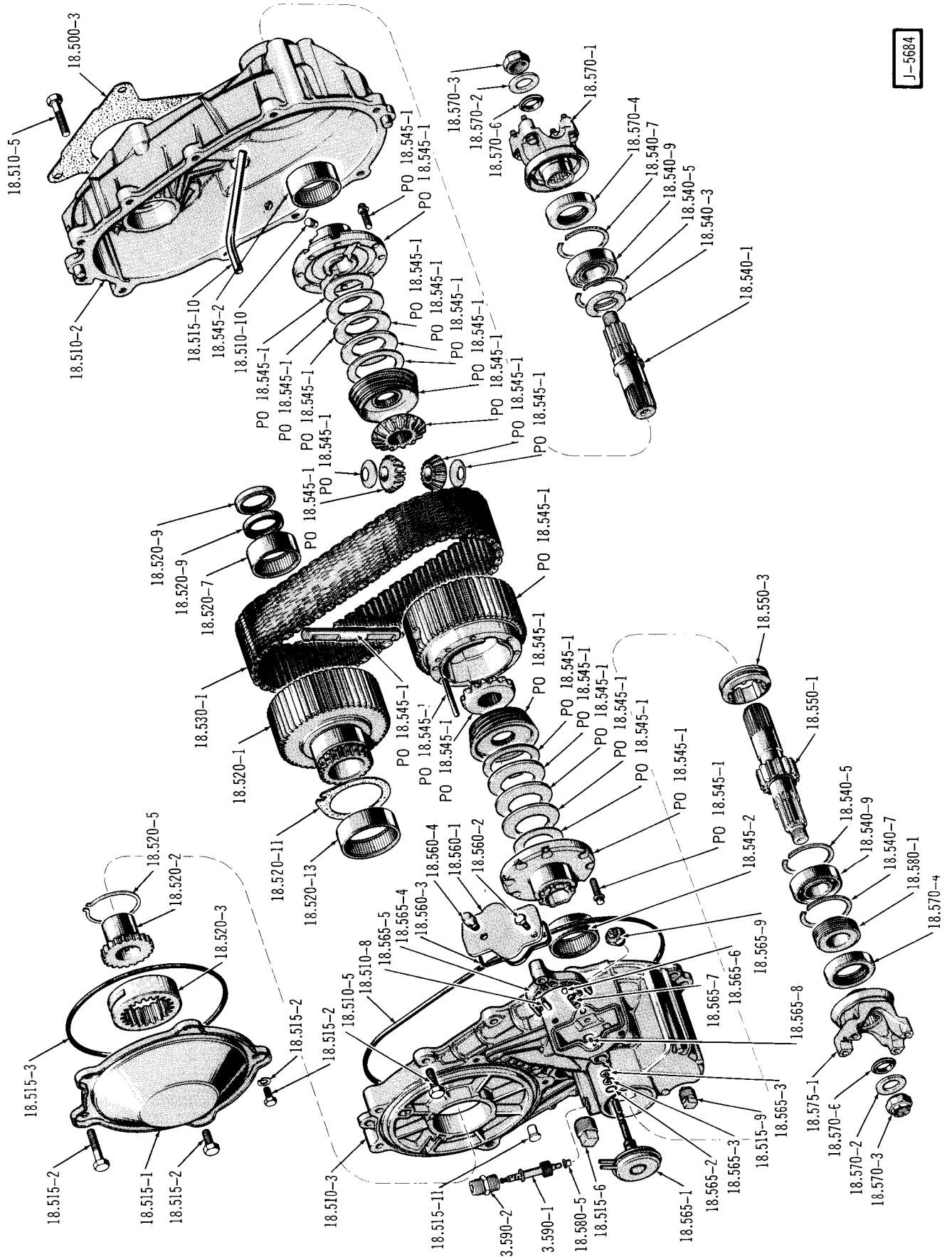


J-5631

TRANSFER CASE SHIFT CONTROL . . . 10-20-40

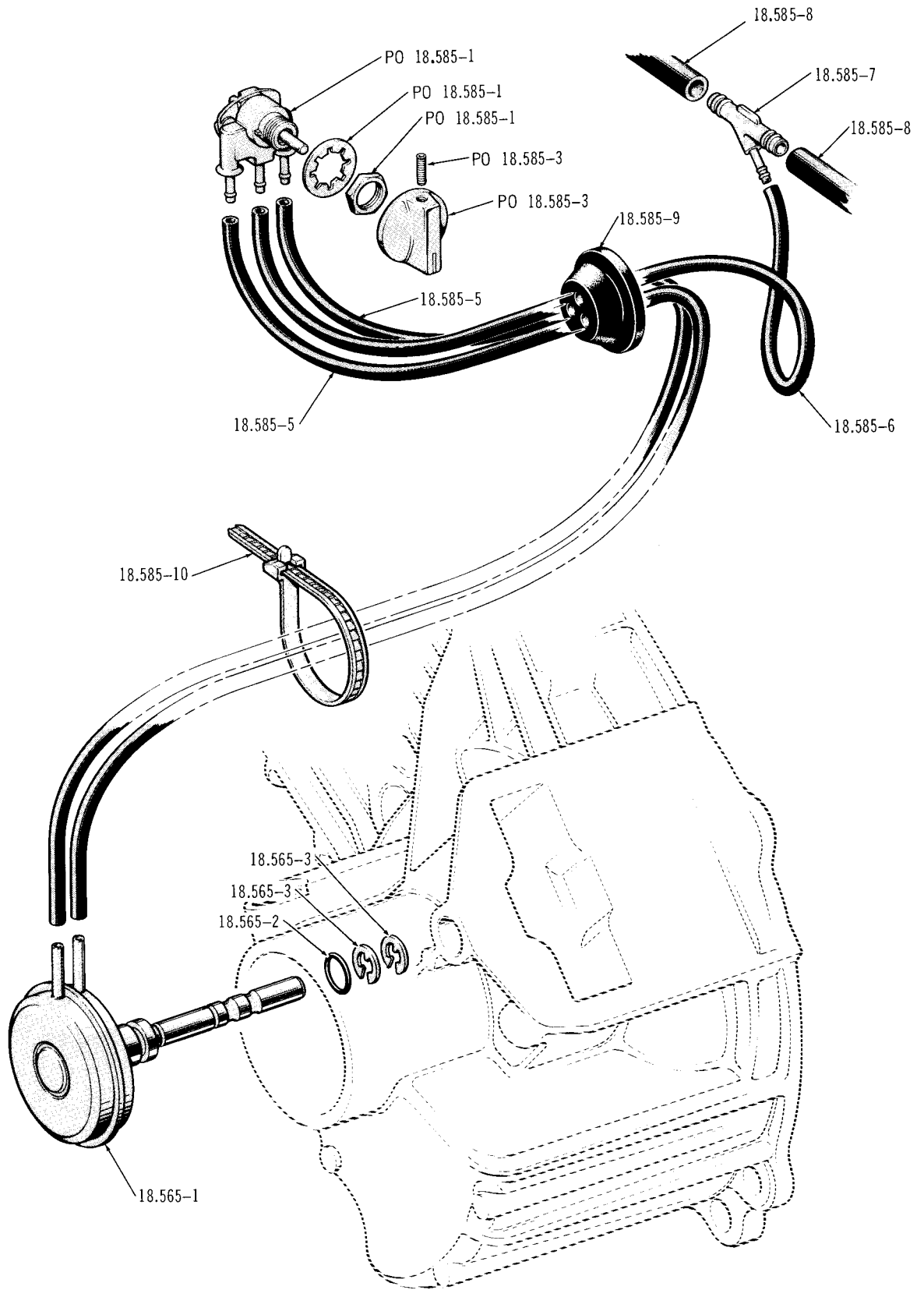


J-5684



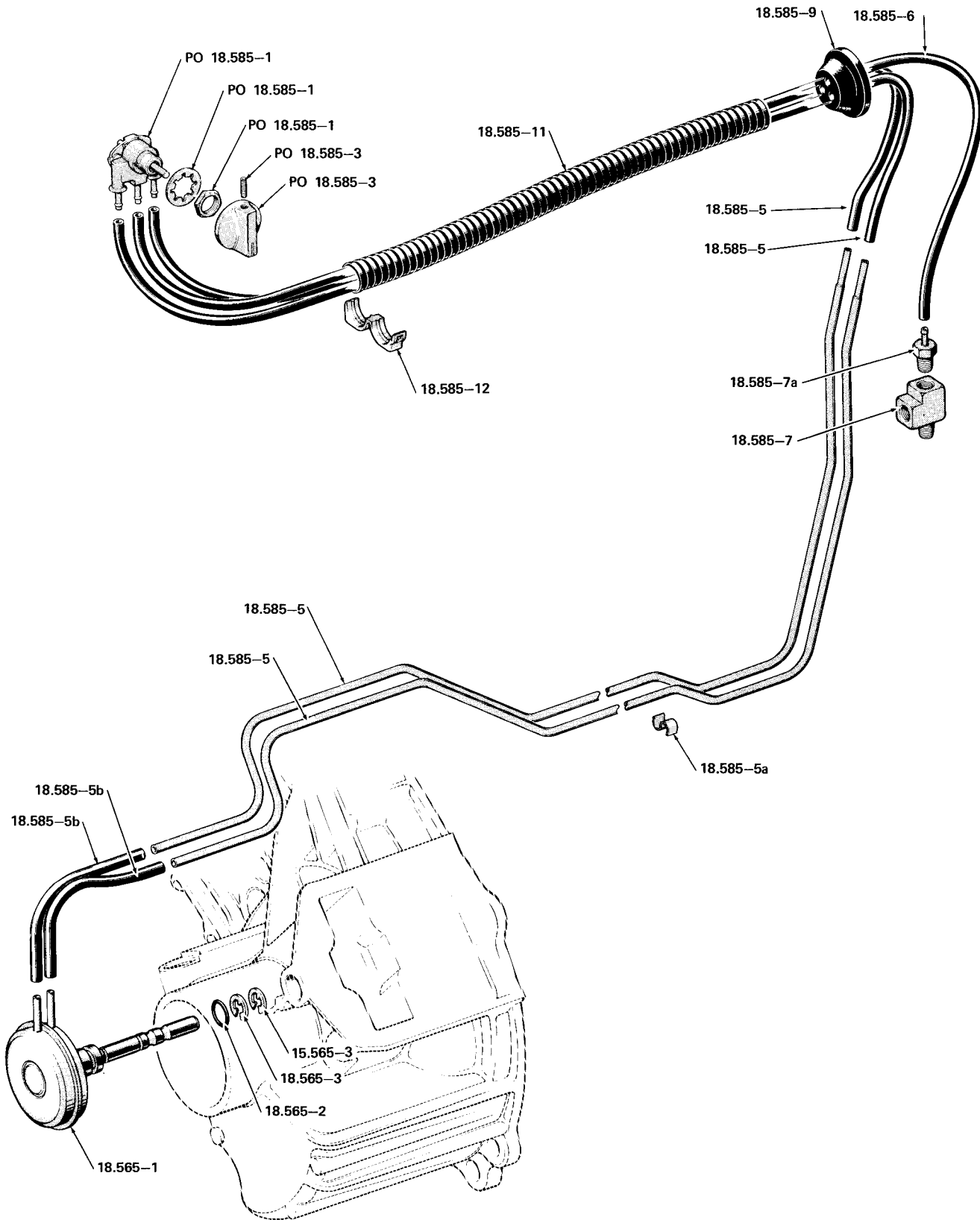
QUADRA TRAC TRANSFER CASE . . . 10-25-40-90





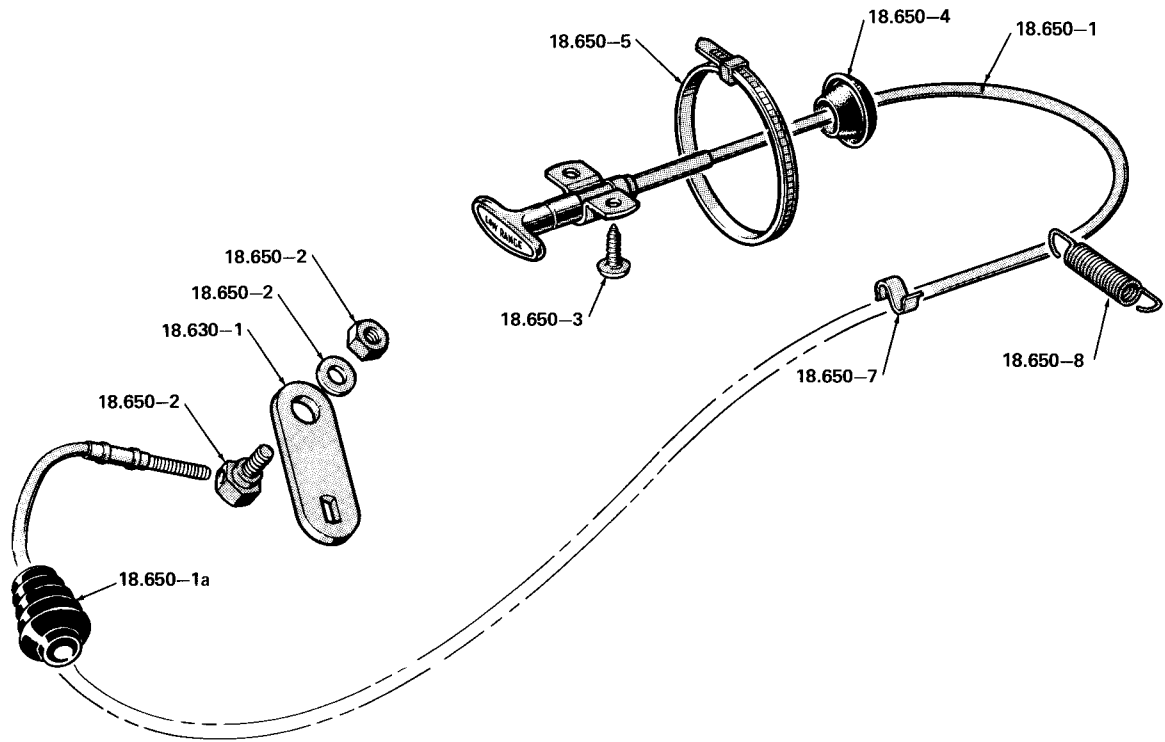
J-5747

QUADRA TRAC CONTROLS . . . 10-25-40



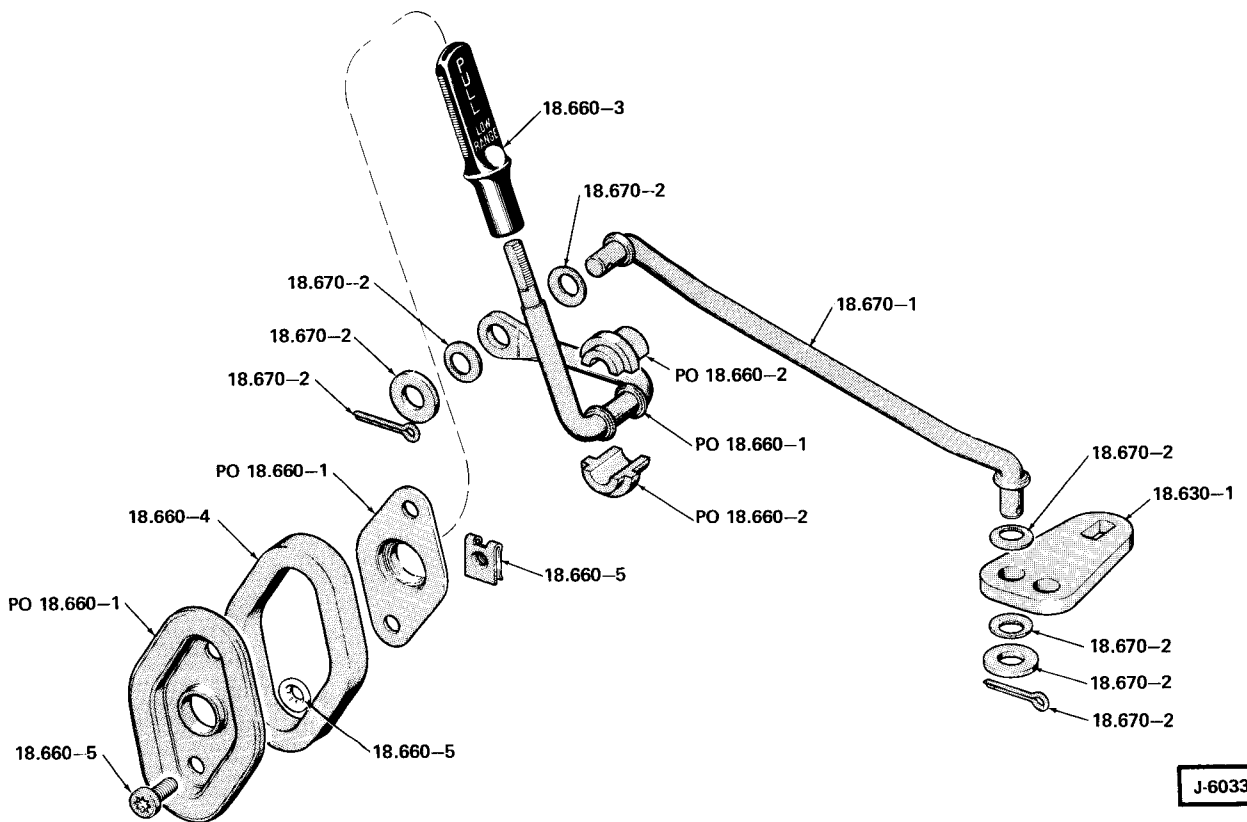
J-6037





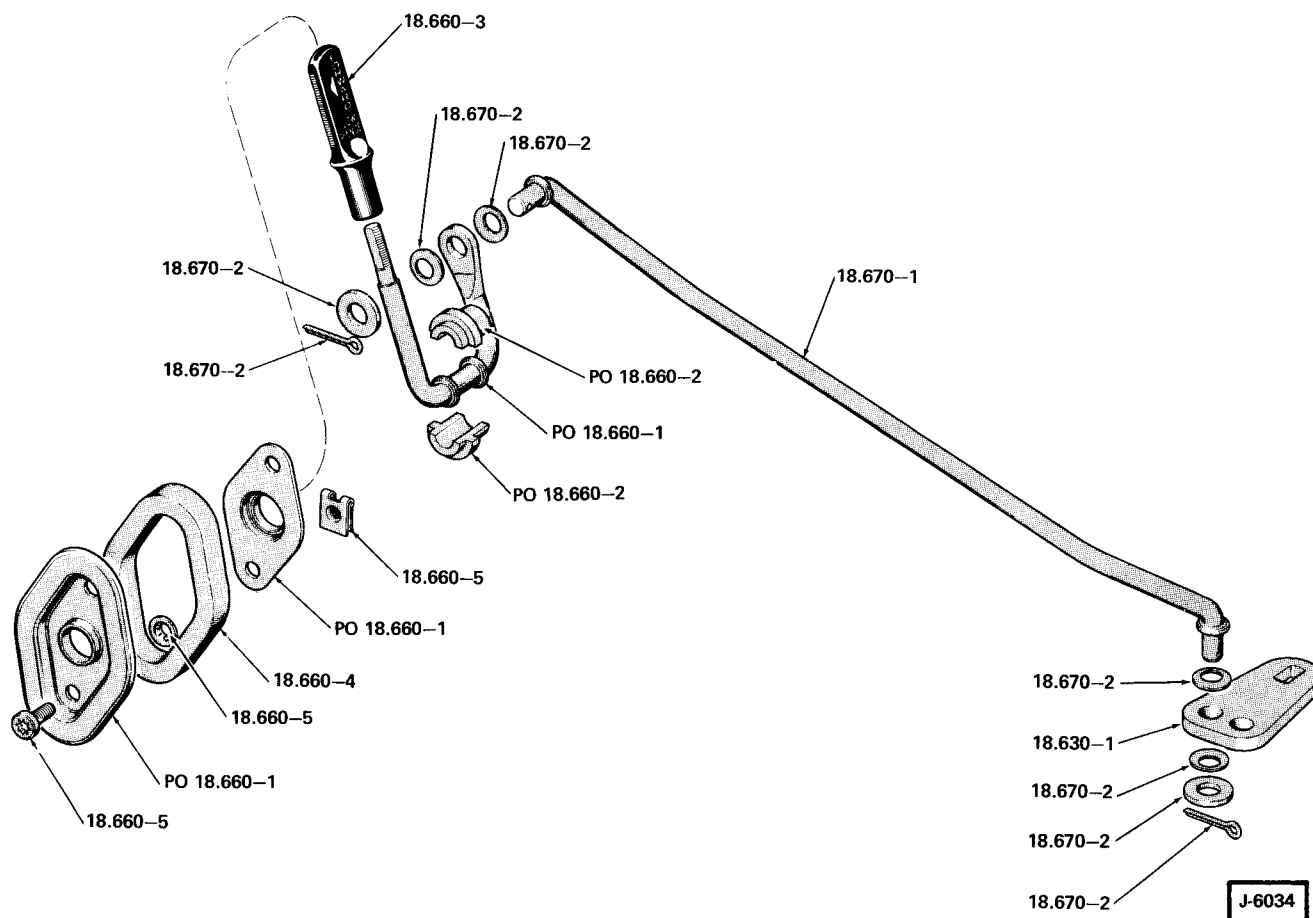
QUADRA TRAC REDUCTION UNIT CONTROL . . . 1974/1975 10-25-40

J-6032



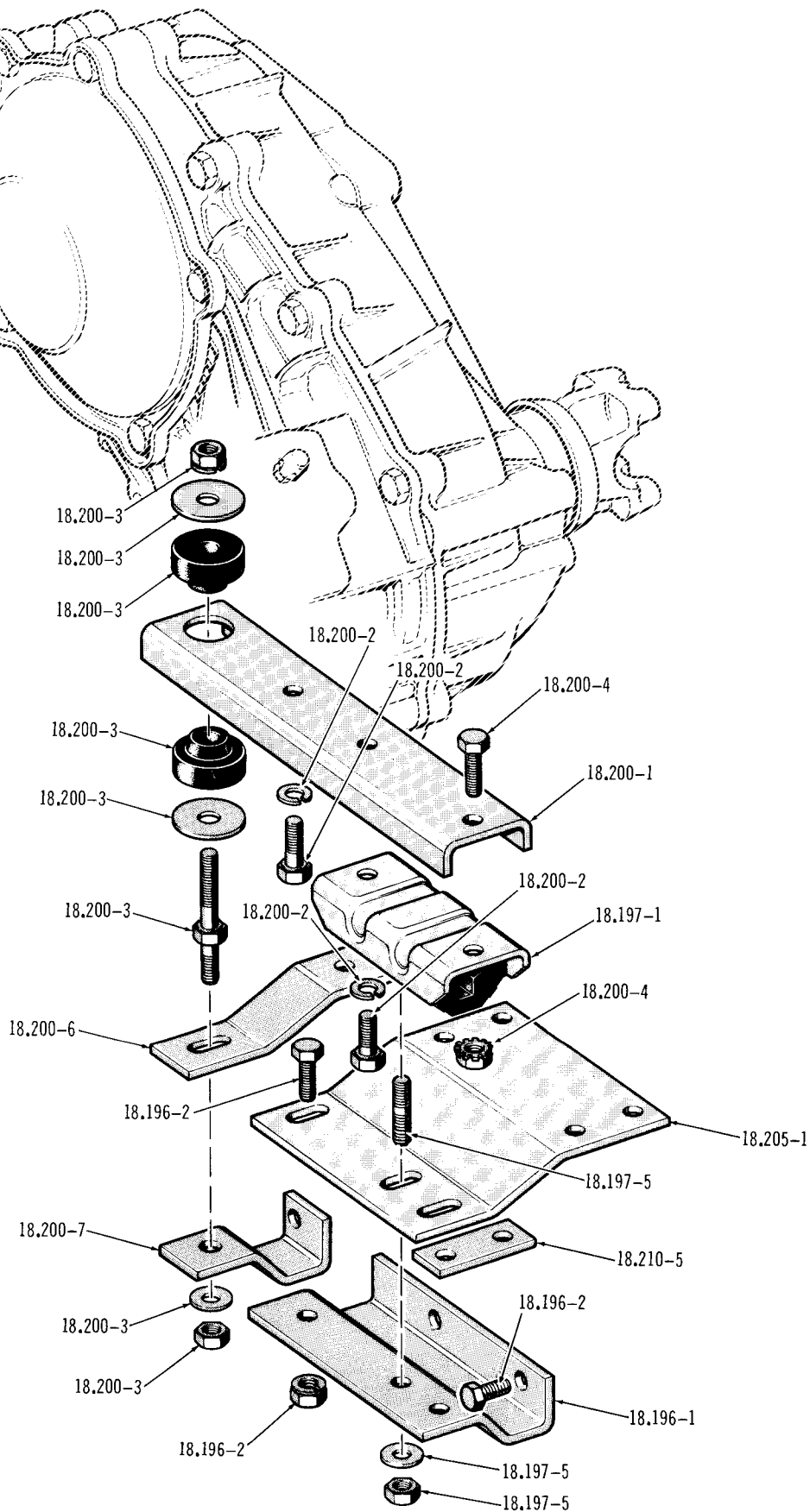
QUADRA TRAC REDUCTION UNIT CONTROL . . . 1976 10-25-40

J-6033



QUADRA TRAC REDUCTION UNIT CONTROL . . . 90

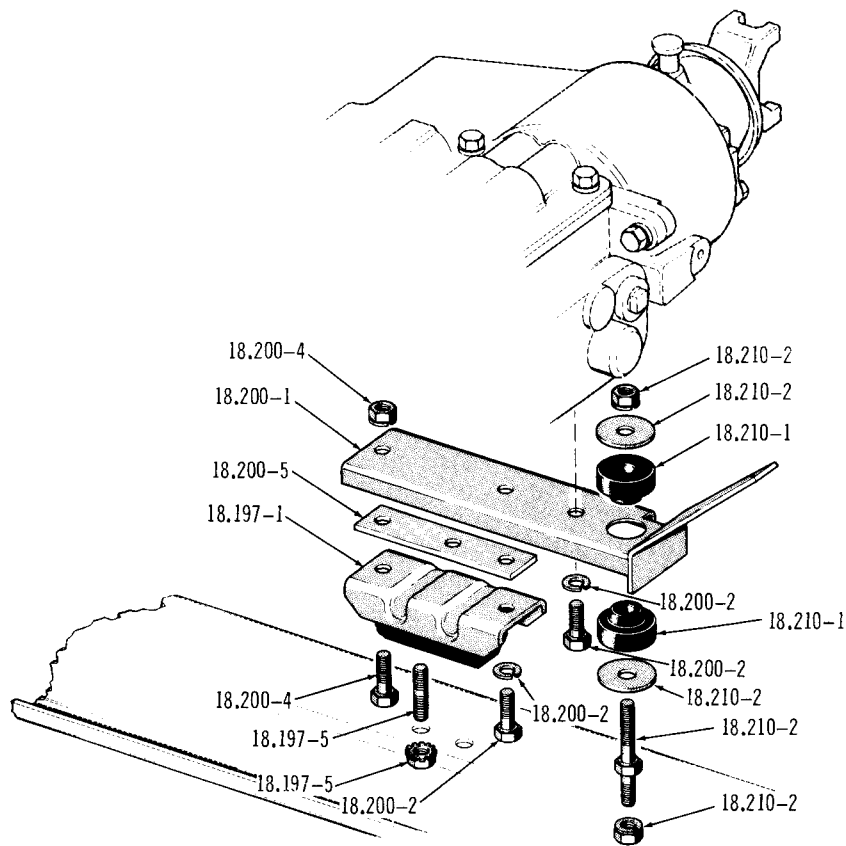




J-5994

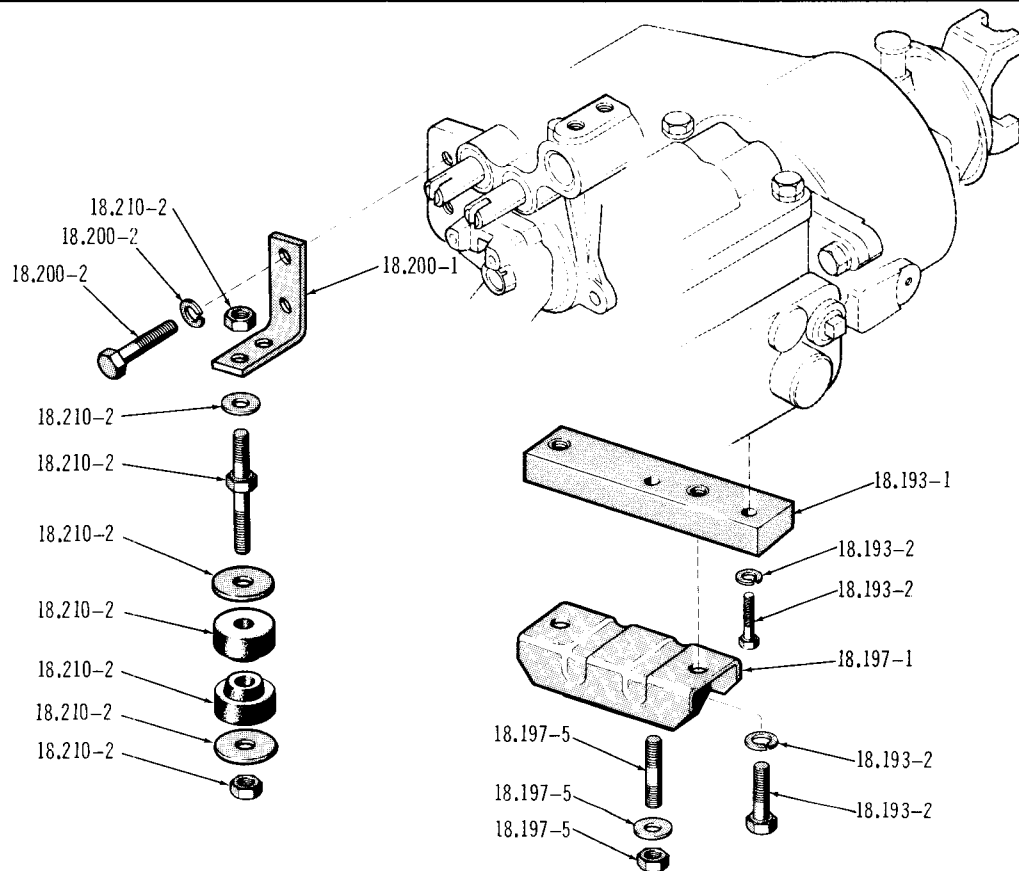
TRANSFER CASE MOUNTING . . . 10-20-40 (SIX-WHT-WQT)





J-5944

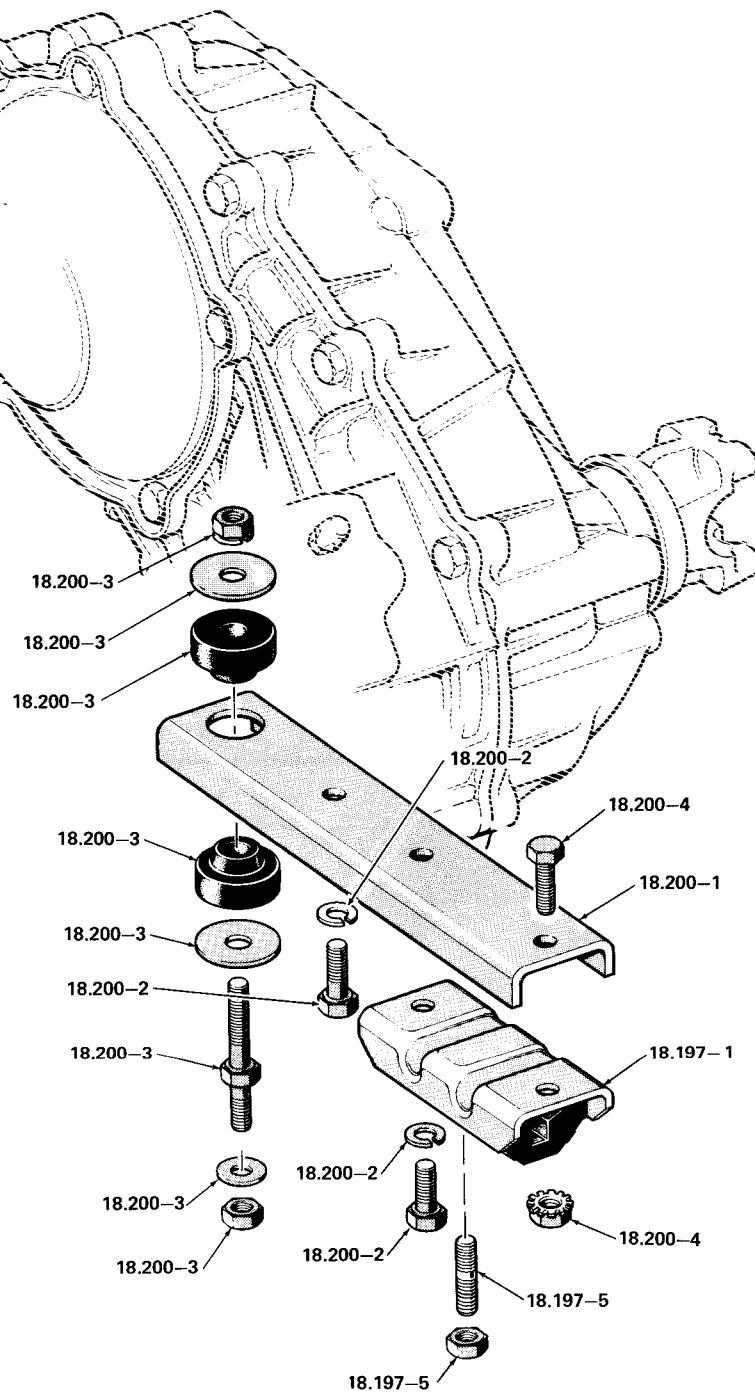
TRANSFER CASE MOUNTING . . . 10-20-40 (SIX-WMT) (V8-W3ST) (V8-WHT-WQT)



J-5945

TRANSFER CASE MOUNTING . . . 10-20-40 (V8-WHT-LQT)





J-6079

TRANSFER CASE MOUNTING . . . 90 (WHT-WQT)