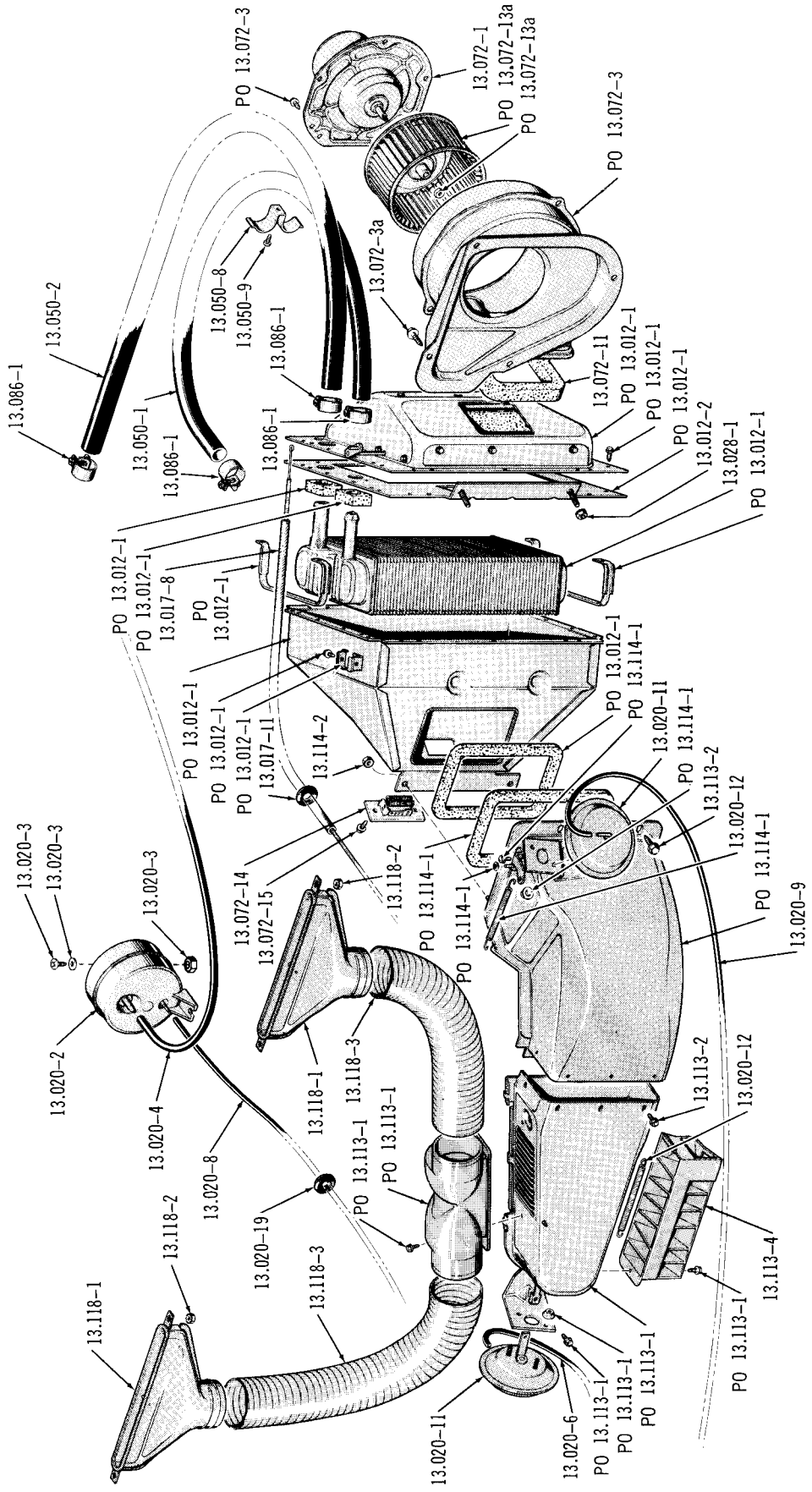
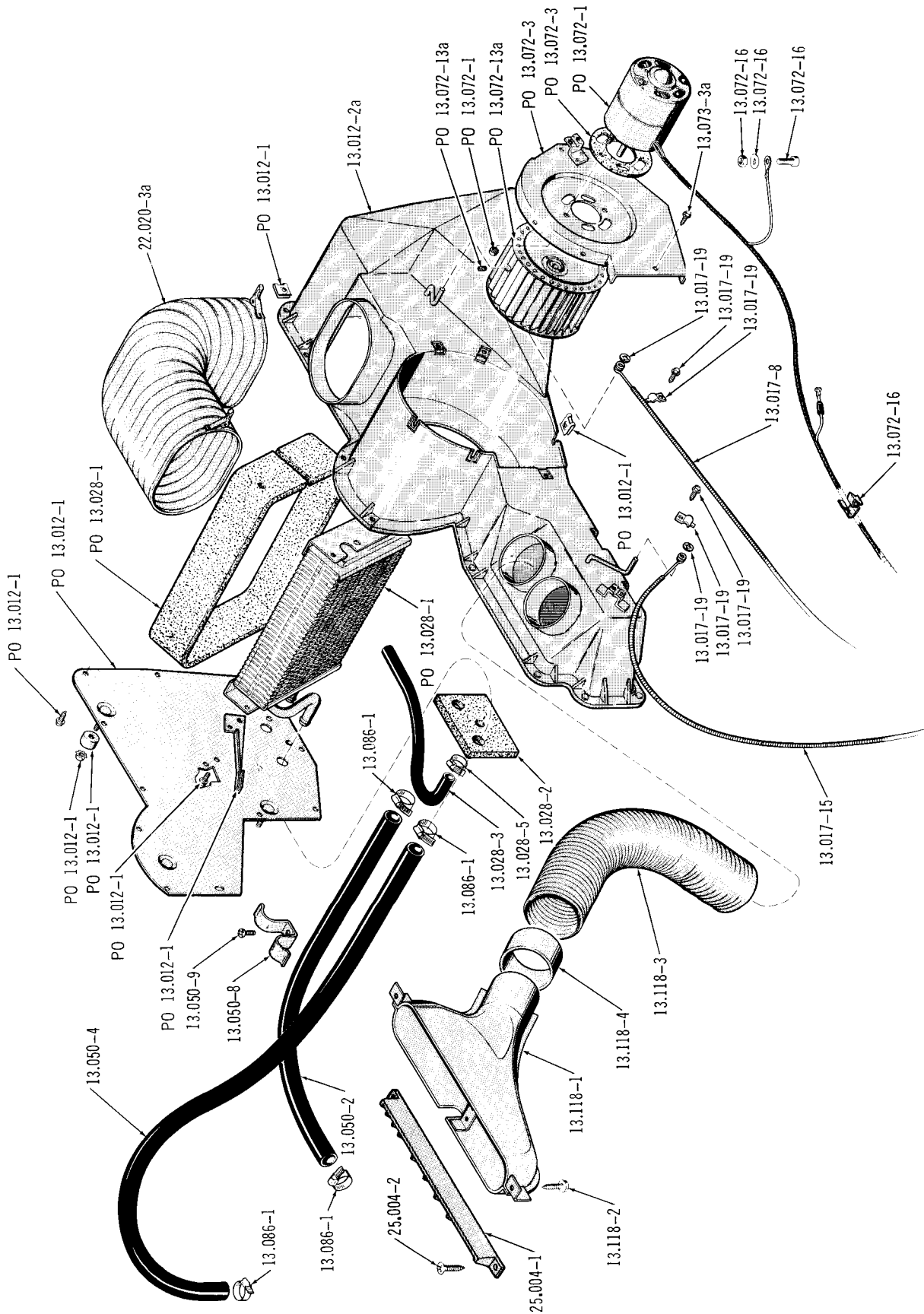


J-5639



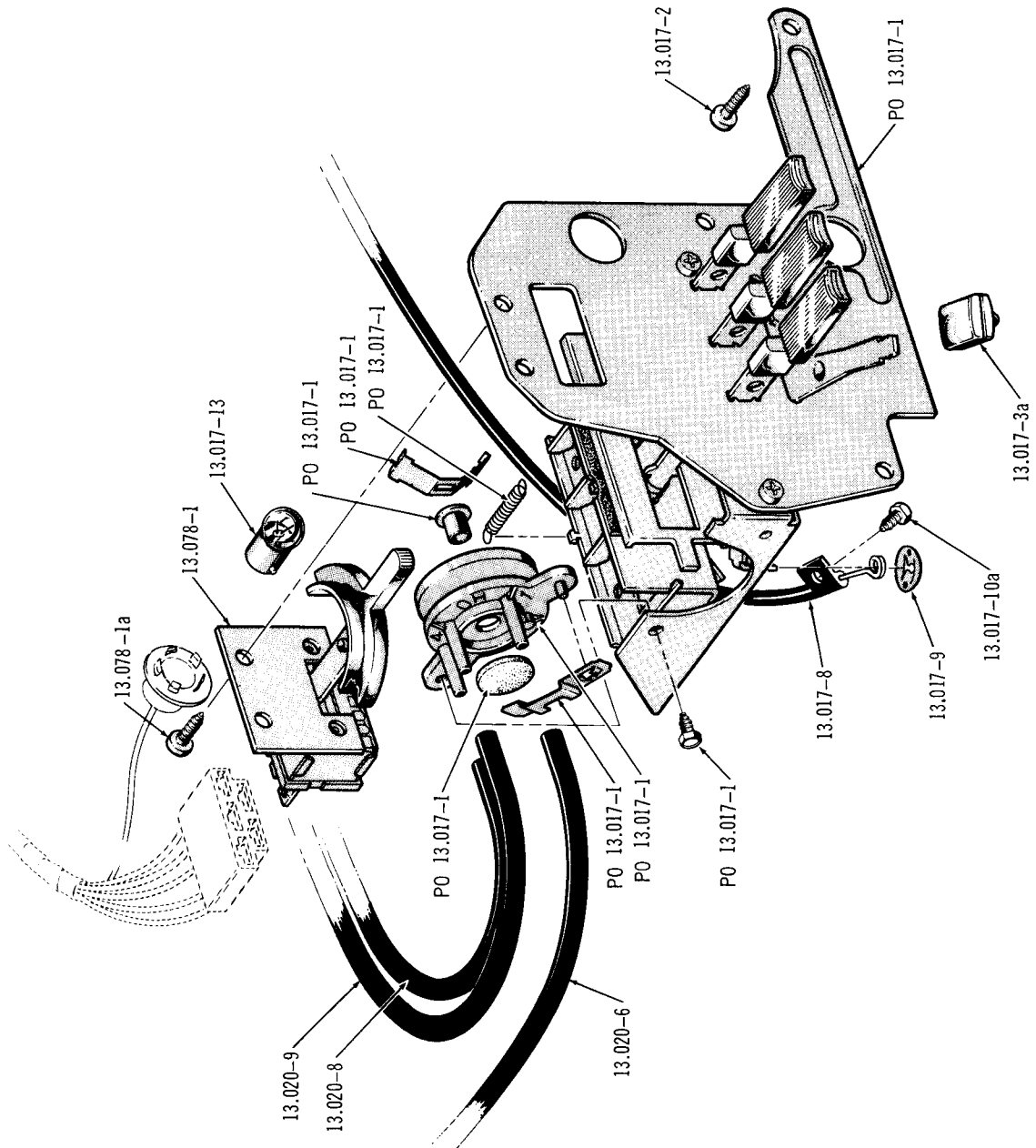
HEATER AND DEFROSTER . . . 10-20-40

J-4992

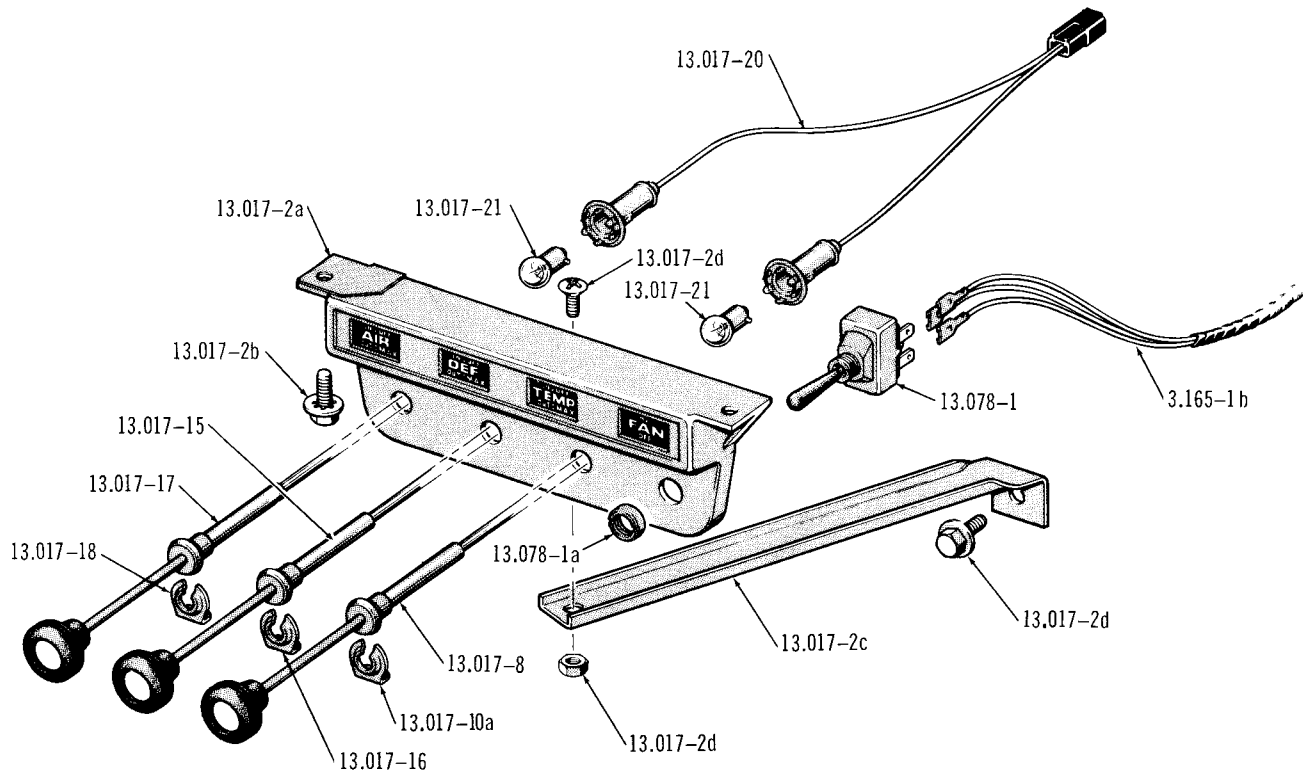


HEATER AND DEFROSTER . . . 80-90

J-5731



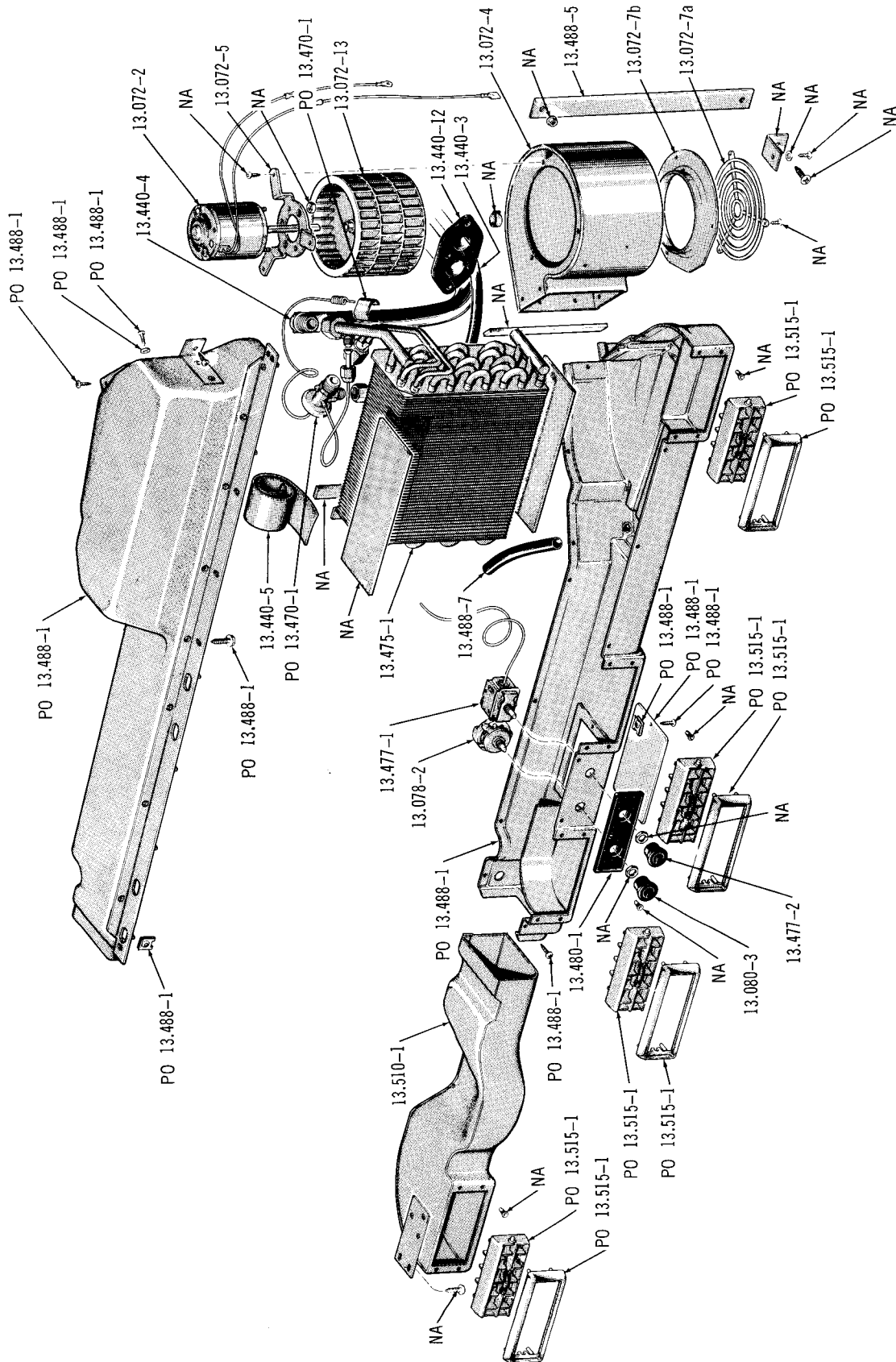
HEATER AND DEFROSTER CONTROLS . . . 10-20-40



HEATER AND DEFROSTER CONTROLS . . . 1974/1975 80

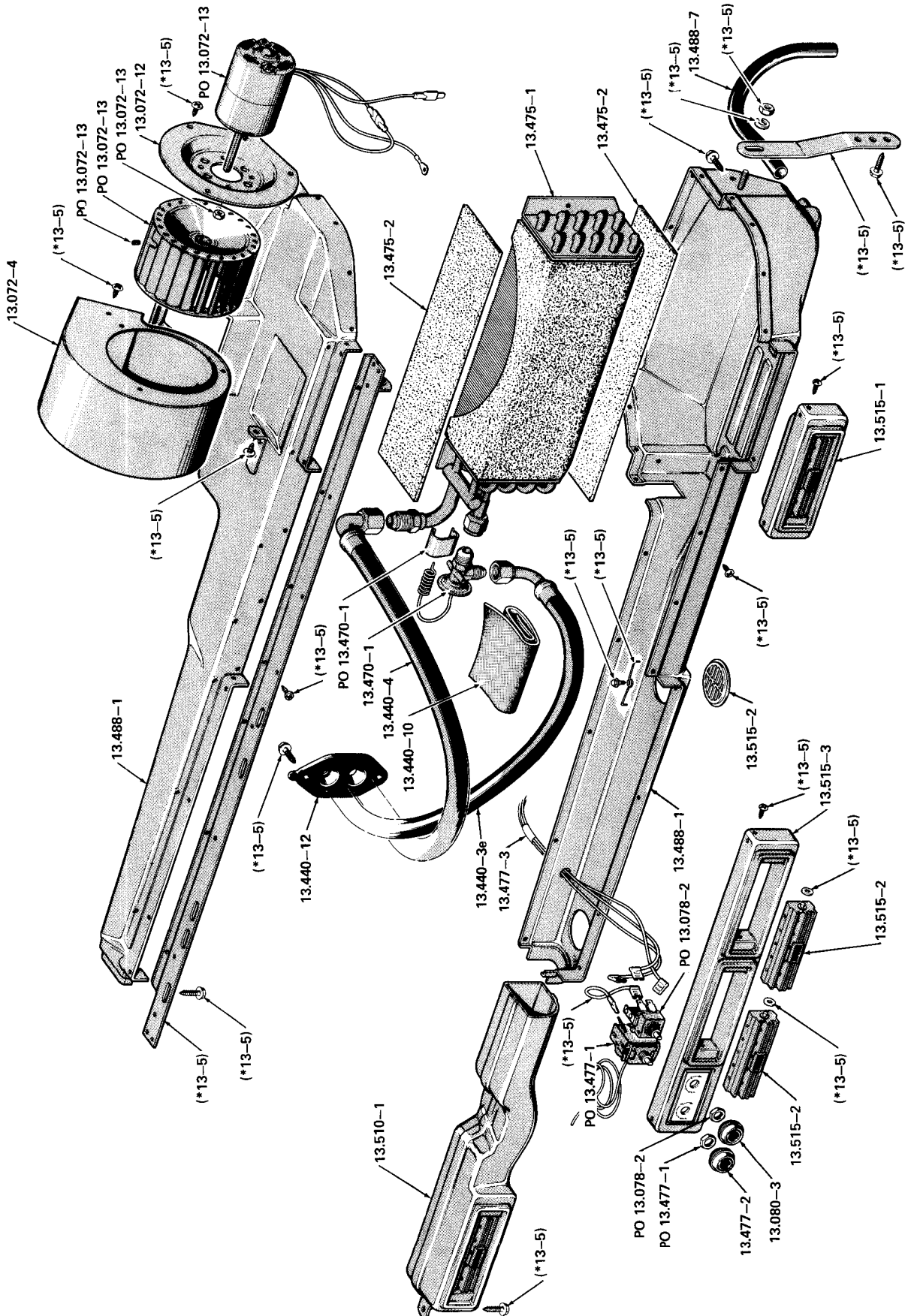
J-4971

J-5825



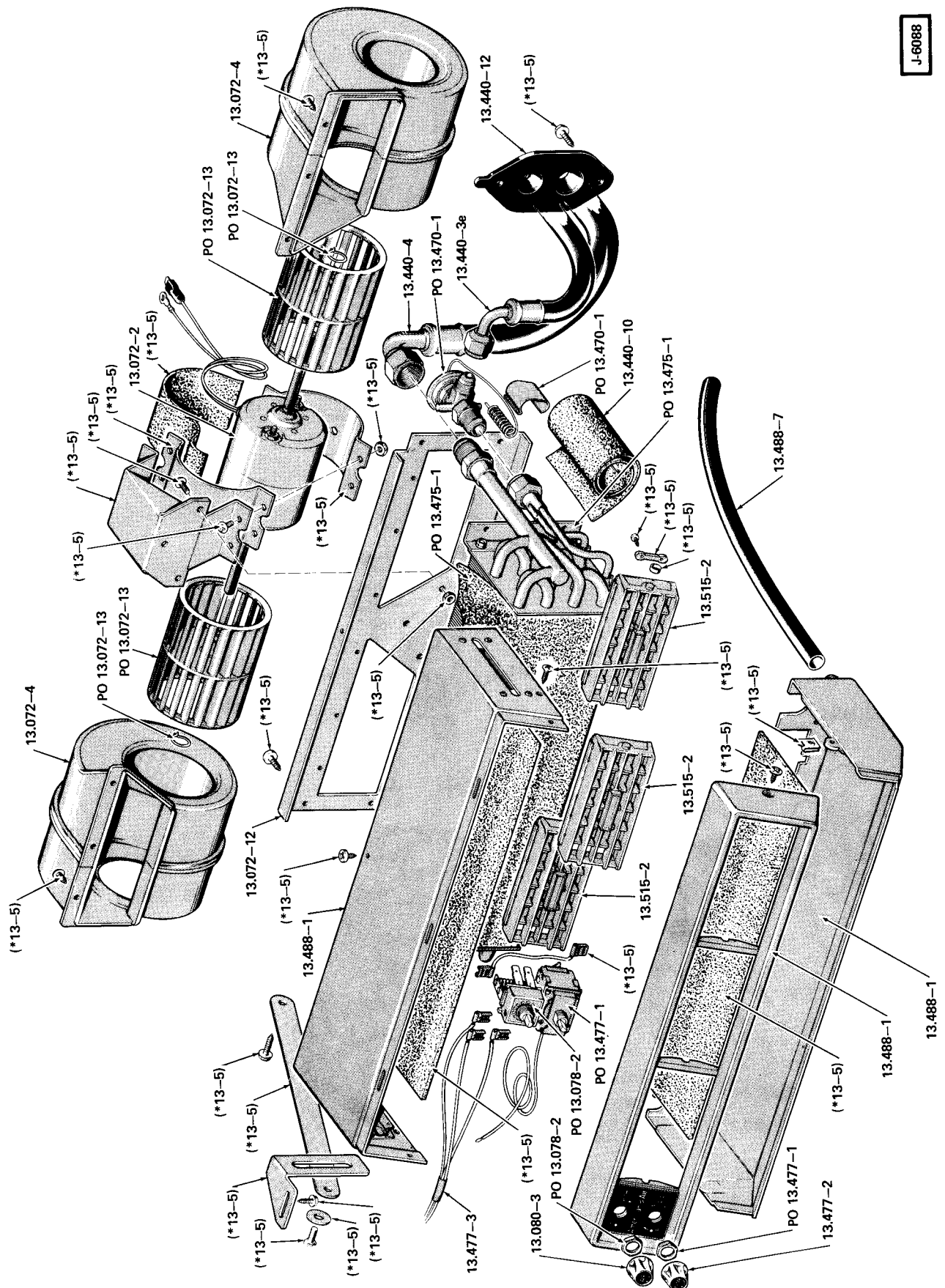
AIR CONDITIONING EVAPORATOR HOUSING, DUCTS AND CONTROLS (WAC) . . . 10-20-40

J-6090

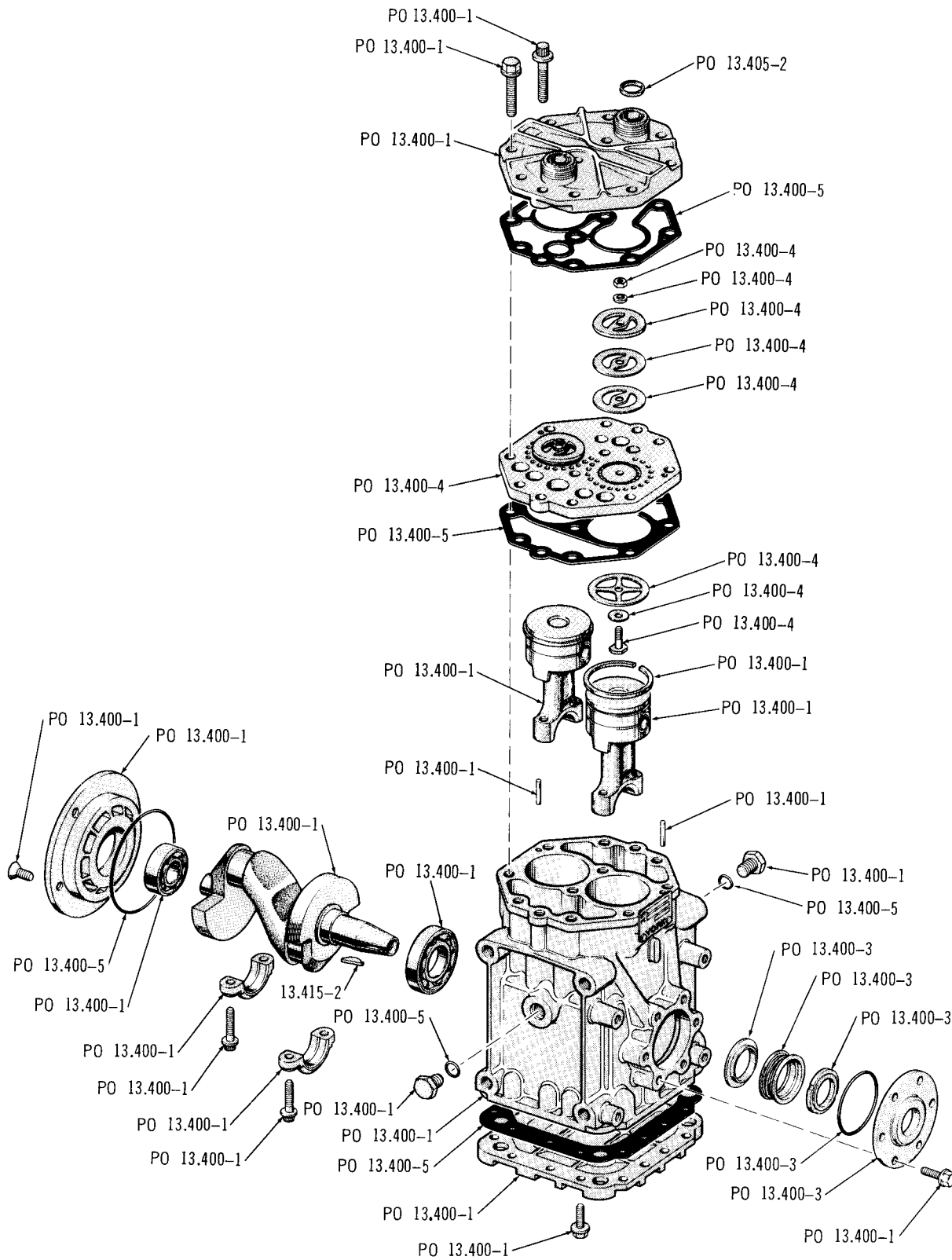


AIR CONDITIONING EVAPORATOR HOUSING AND DUCTS (WAA) ... 10-20-40

J-6088



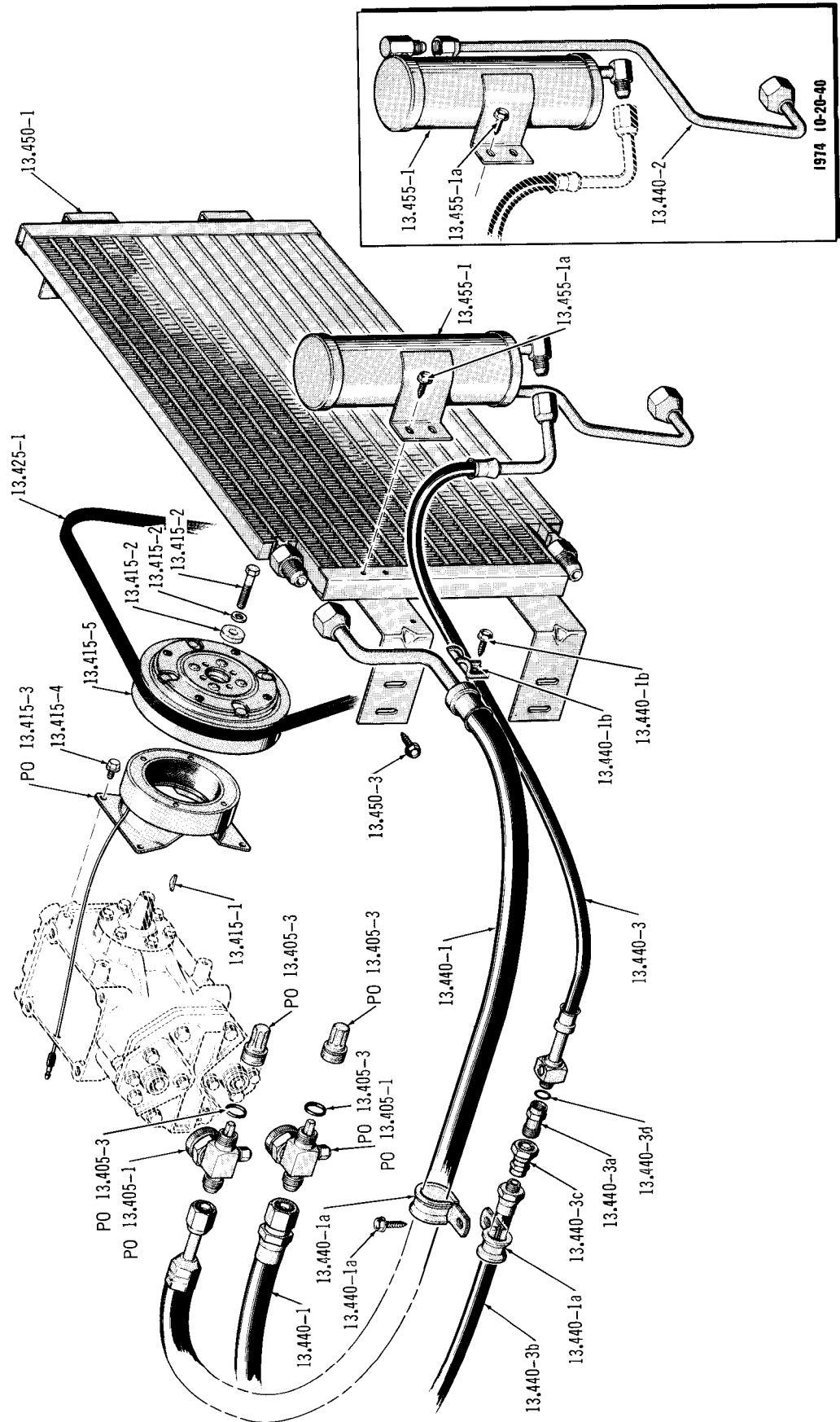
AIR CONDITIONING EVAPORATOR (WAA) ... EXCEPT CUSTOM



J-5734

AIR CONDITIONING COMPRESSOR



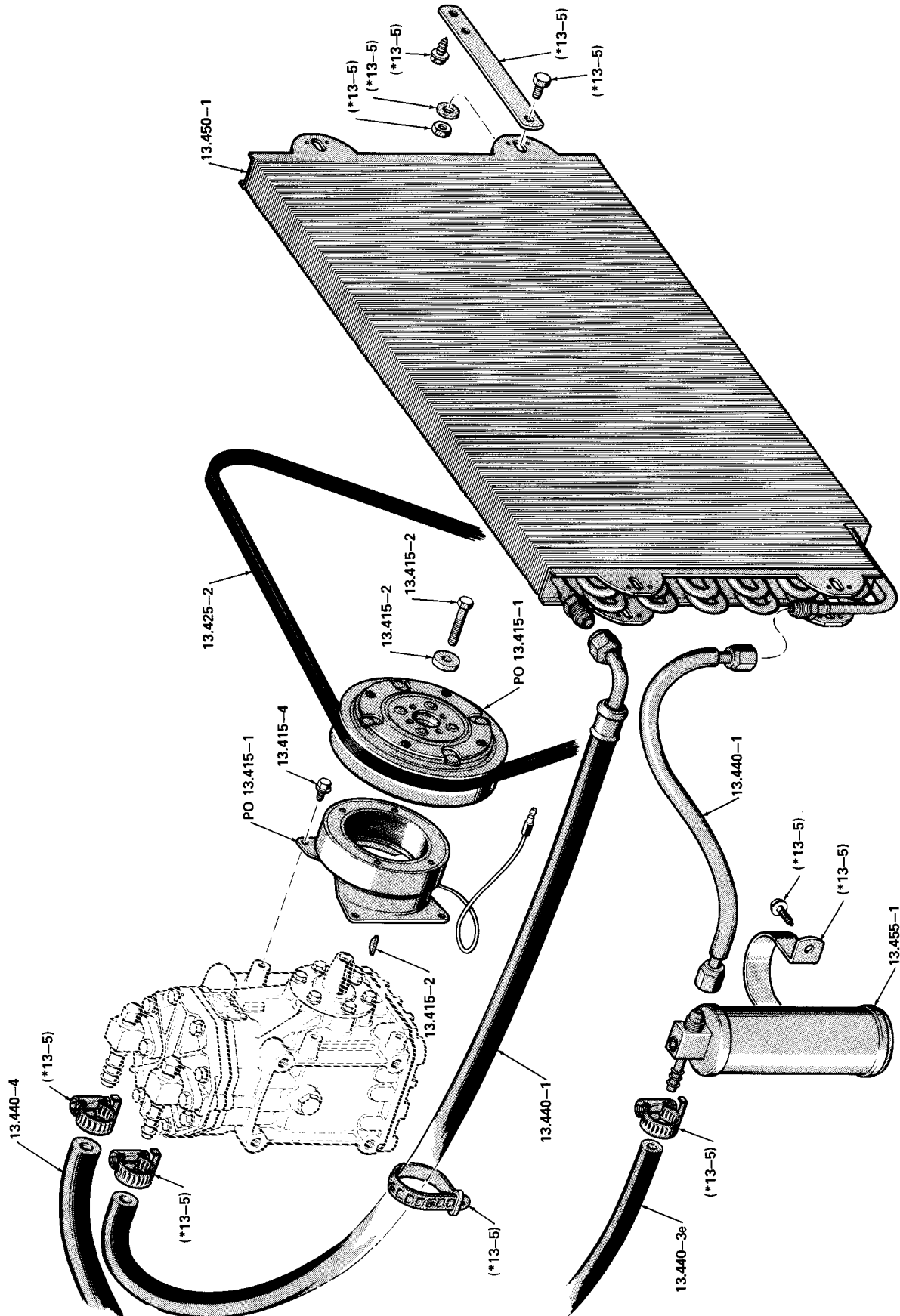


J-5985

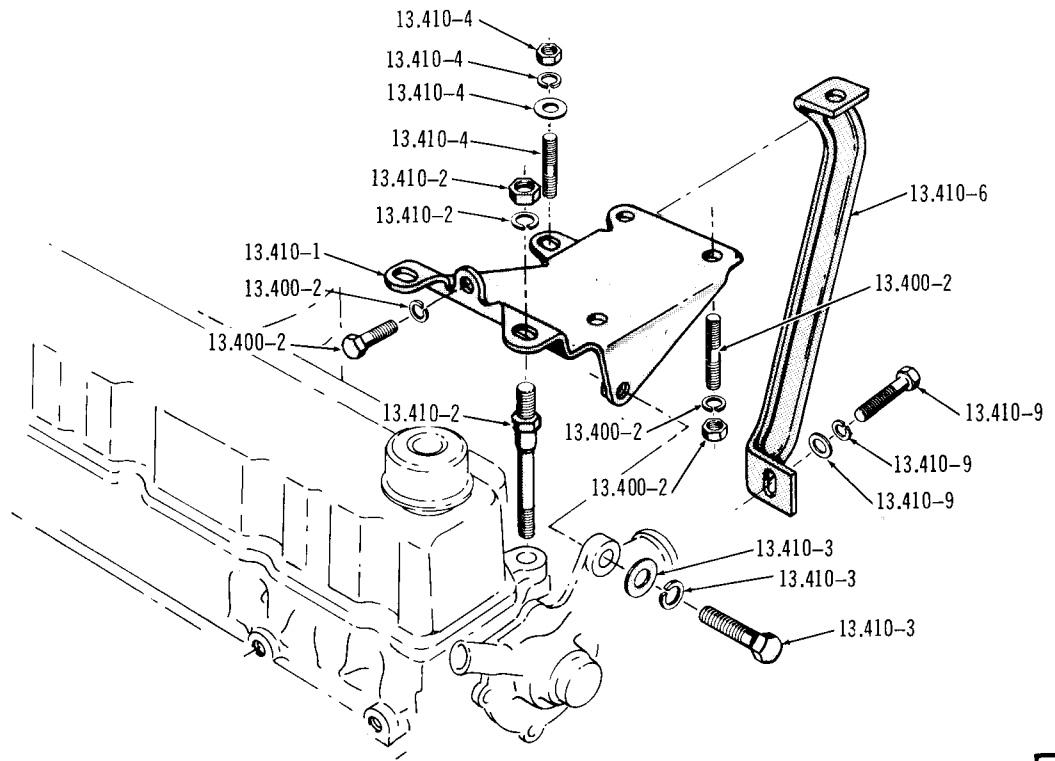
1974 10-20-40

AIR CONDITIONING CONDENSER AND RECEIVER (WAC) . . . 10-20-40

J-6089

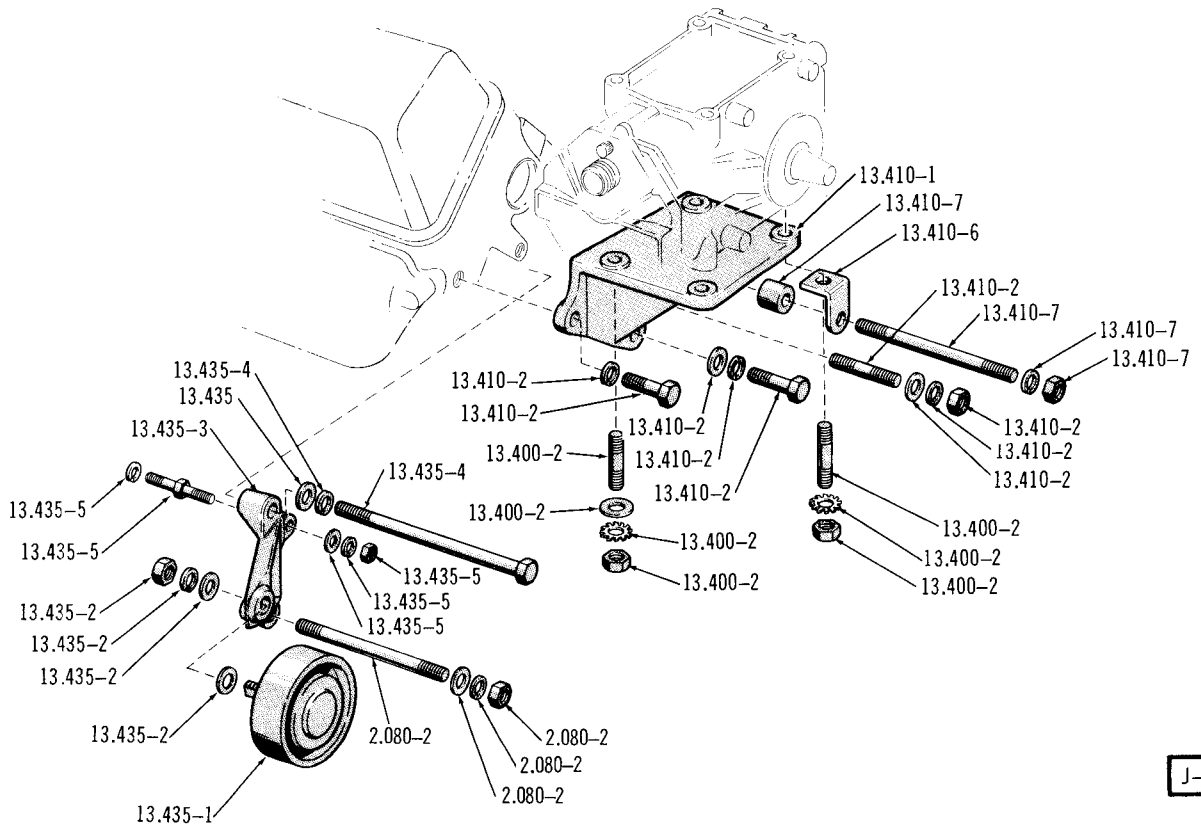


AIR CONDITIONING CONDENSER AND RECEIVER (WAA)



J-5836

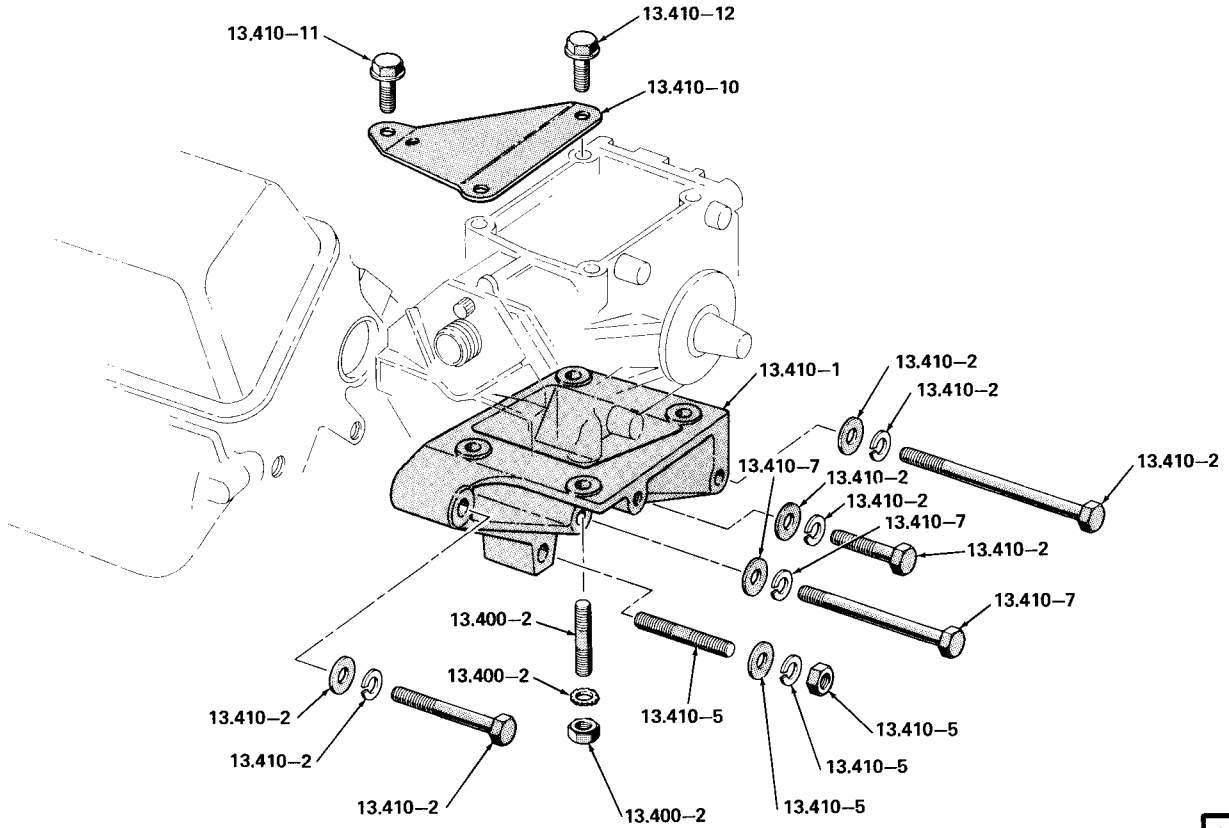
AIR CONDITIONING COMPRESSOR MOUNTING (WAC) . . . 1974 SIX



J-5744

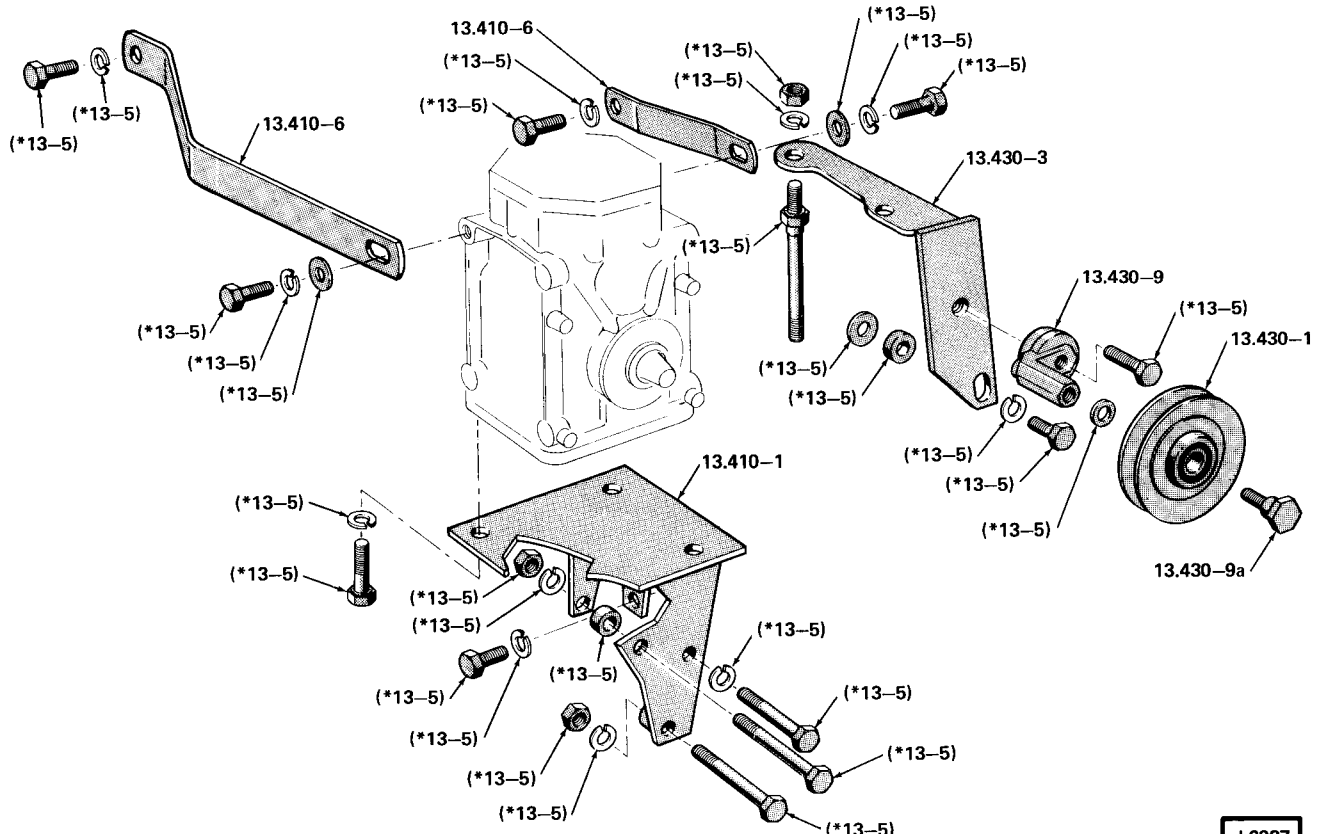
AIR CONDITIONING COMPRESSOR MOUNTING (WAC) . . . 1974 V8





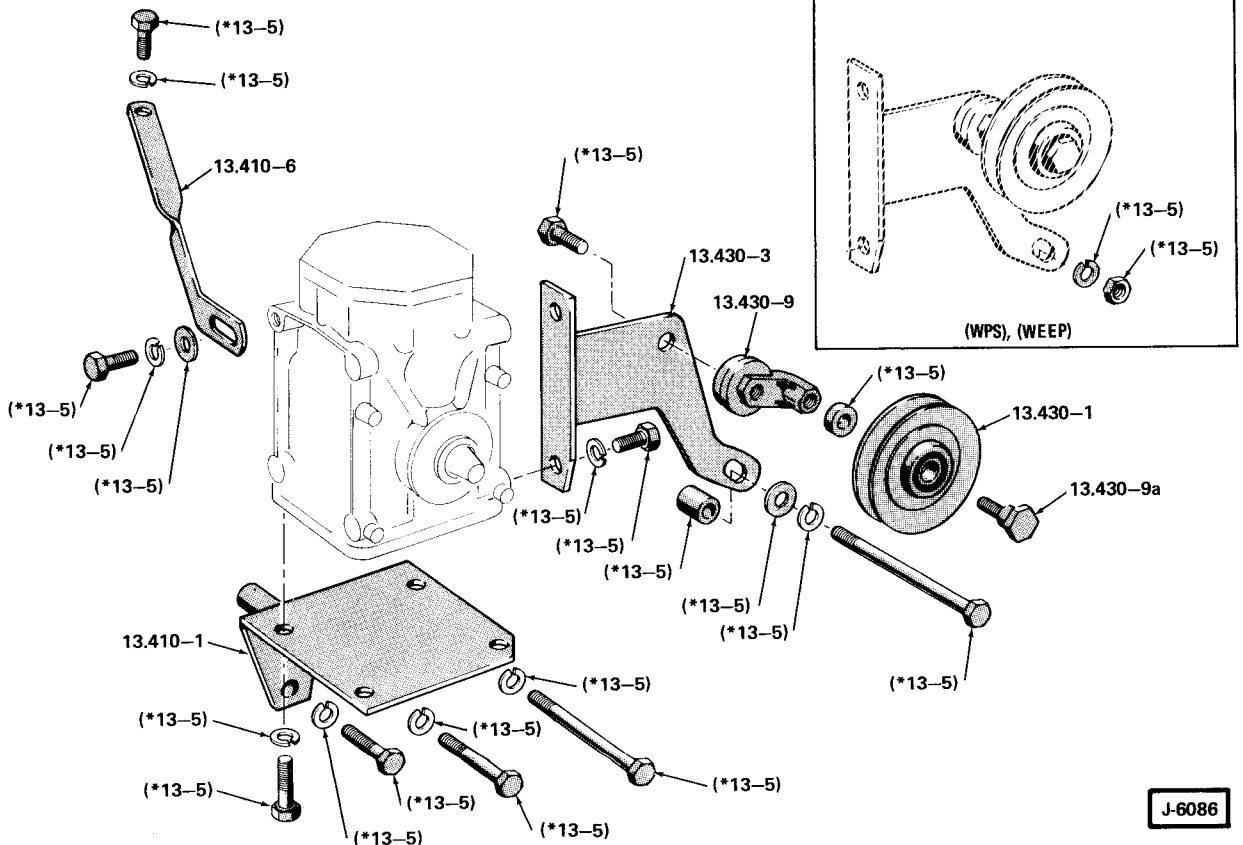
J-6101

AIR CONDITIONING COMPRESSOR MOUNTING (WAC) . . . 1976 V8



J-6087

AIR CONDITIONING COMPRESSOR MOUNTING (WAA) . . . 1975/ (SIX)



J-6086

AIR CONDITIONING COMPRESSOR MOUNTING (WAA) . . . 1975/ (V8)