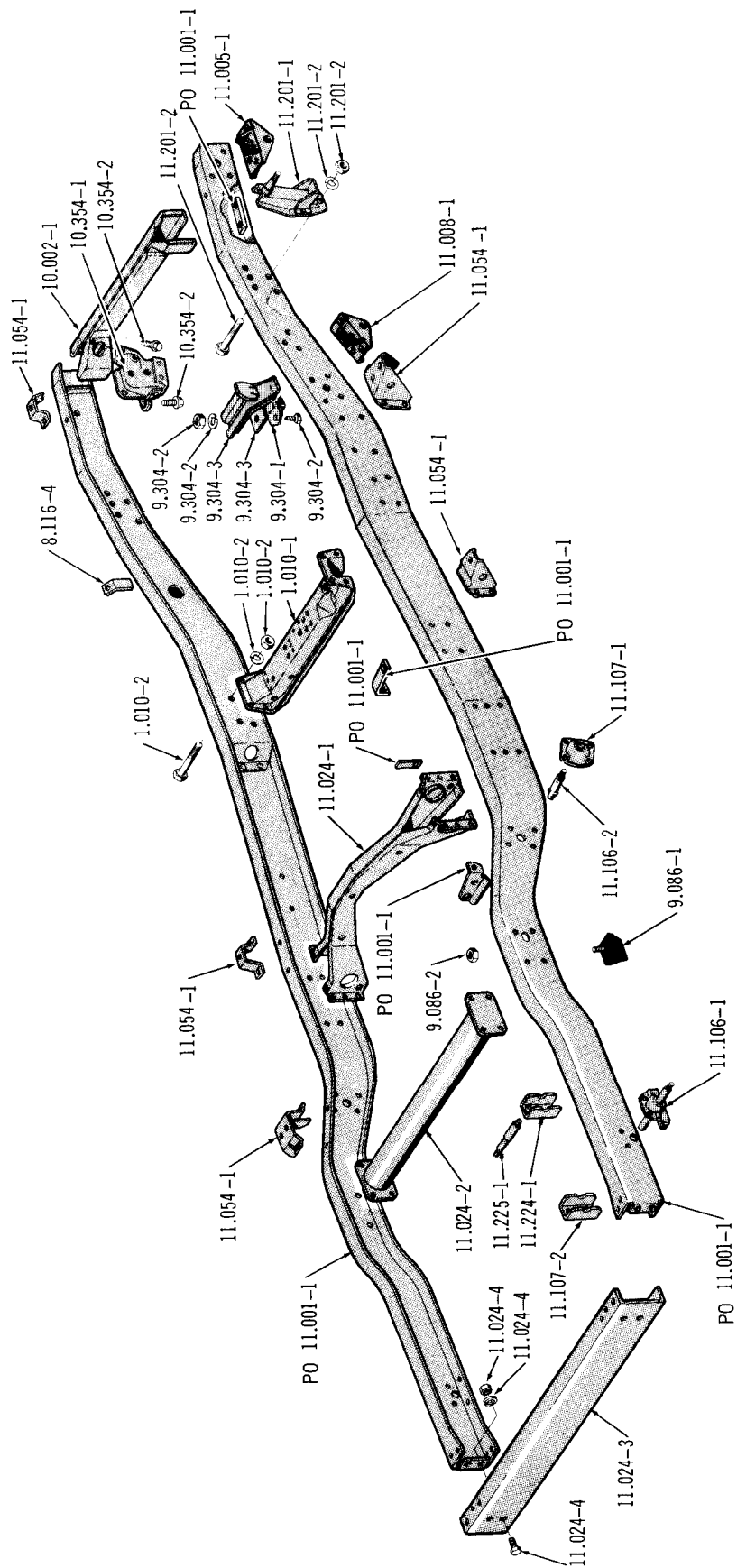
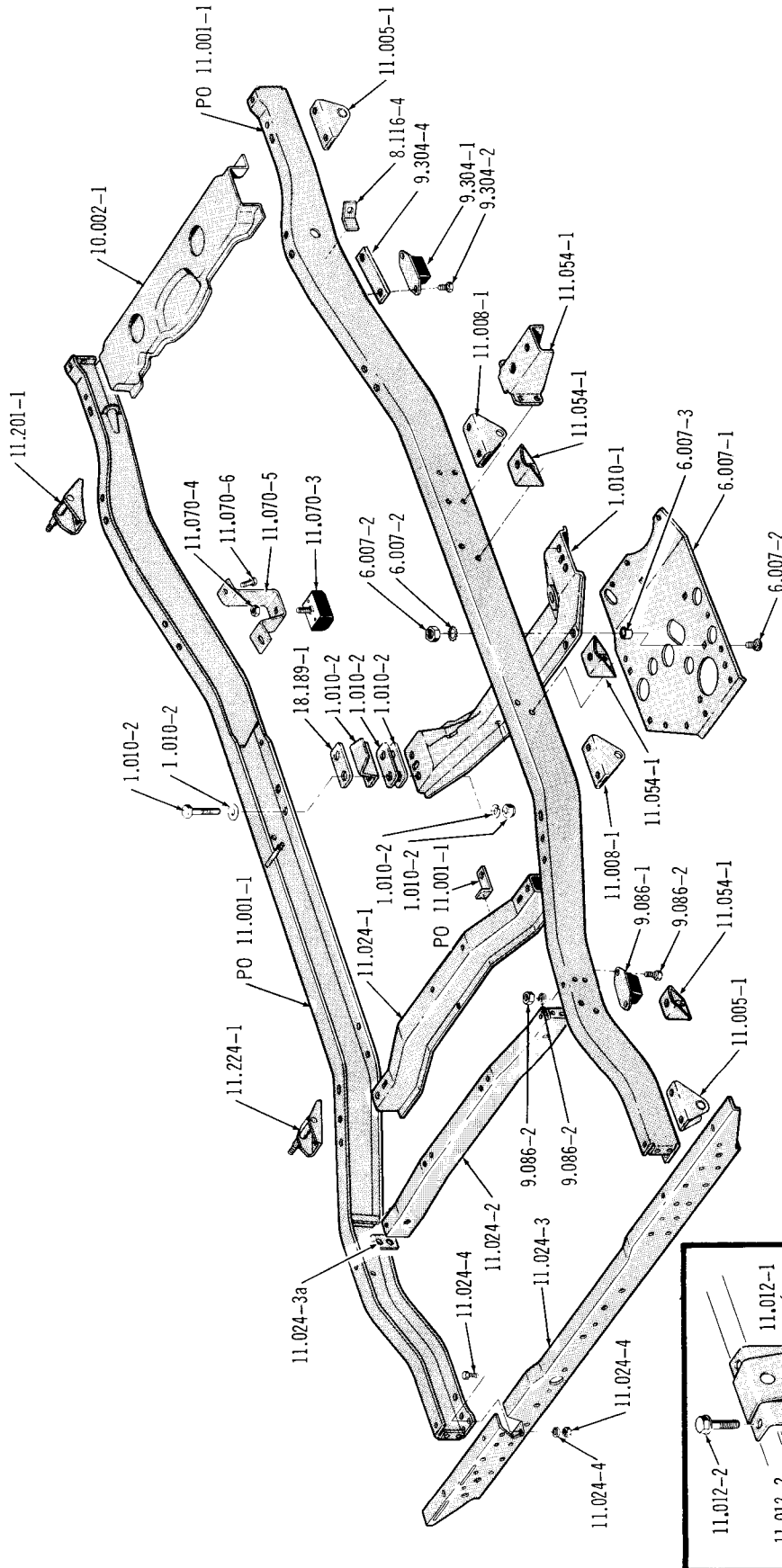


J-4307



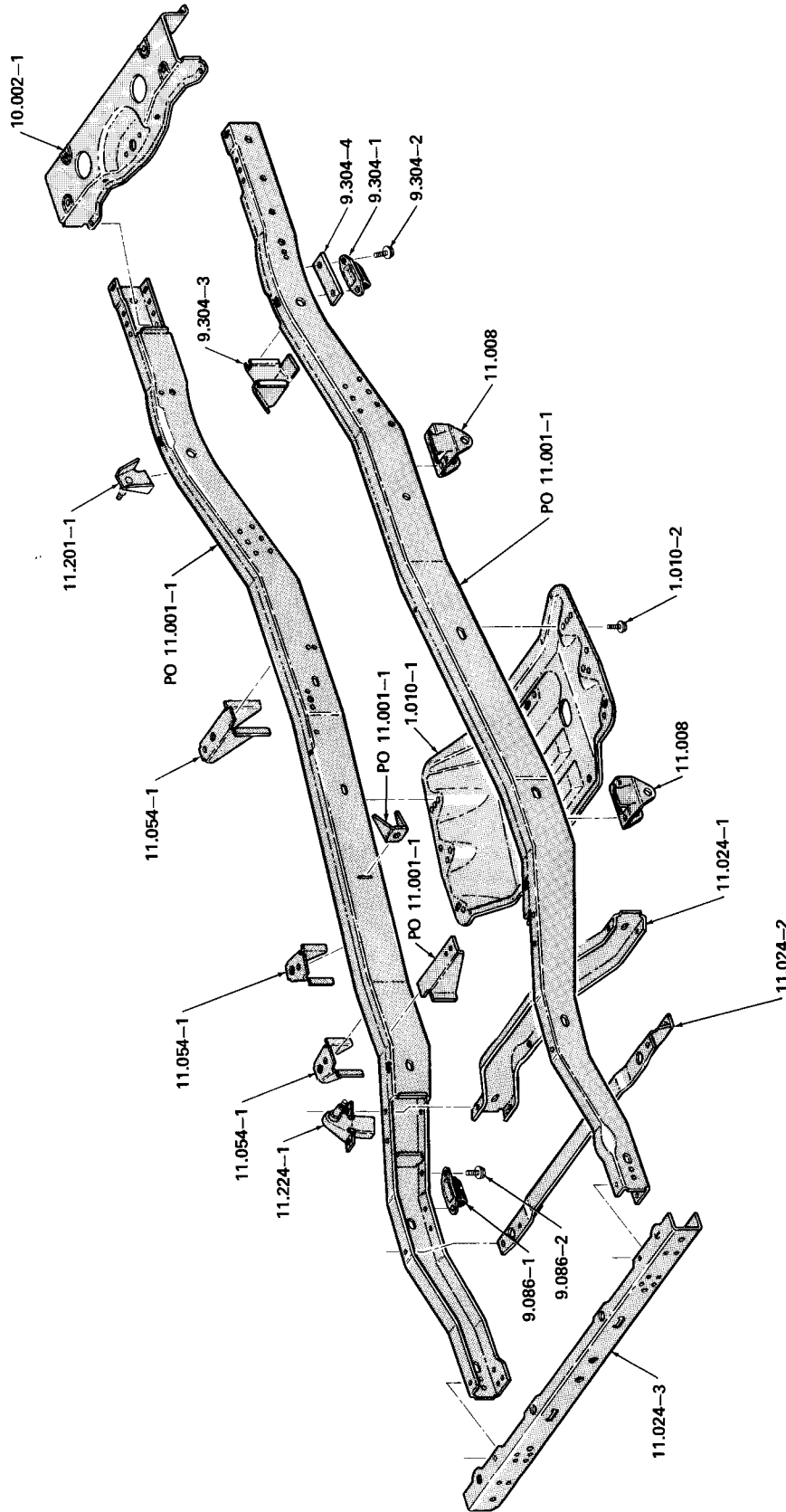
FRAME ASSEMBLY . . . 20-40

J-5671



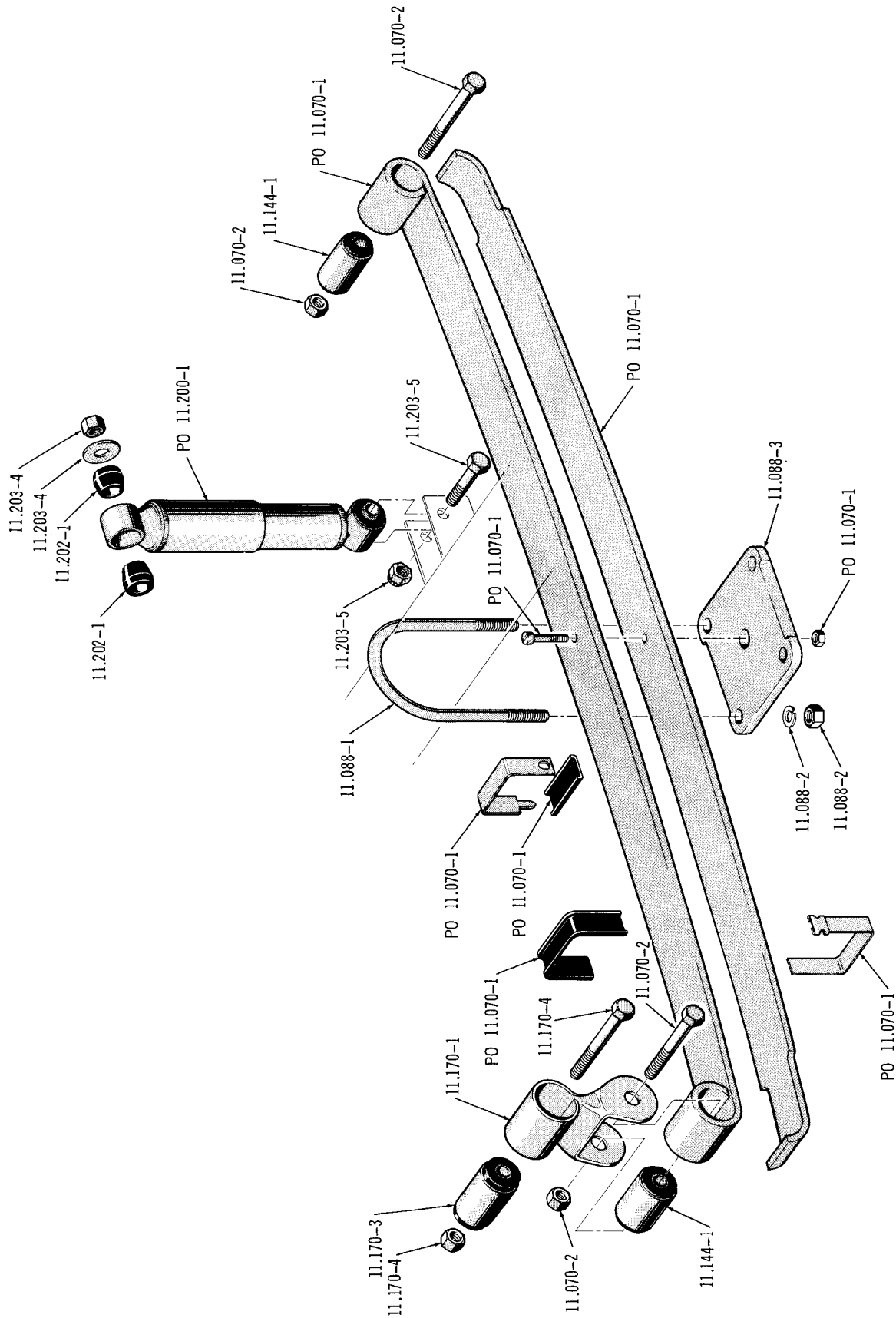
FRAME ASSEMBLY ... 1974/1975 80

J-6084

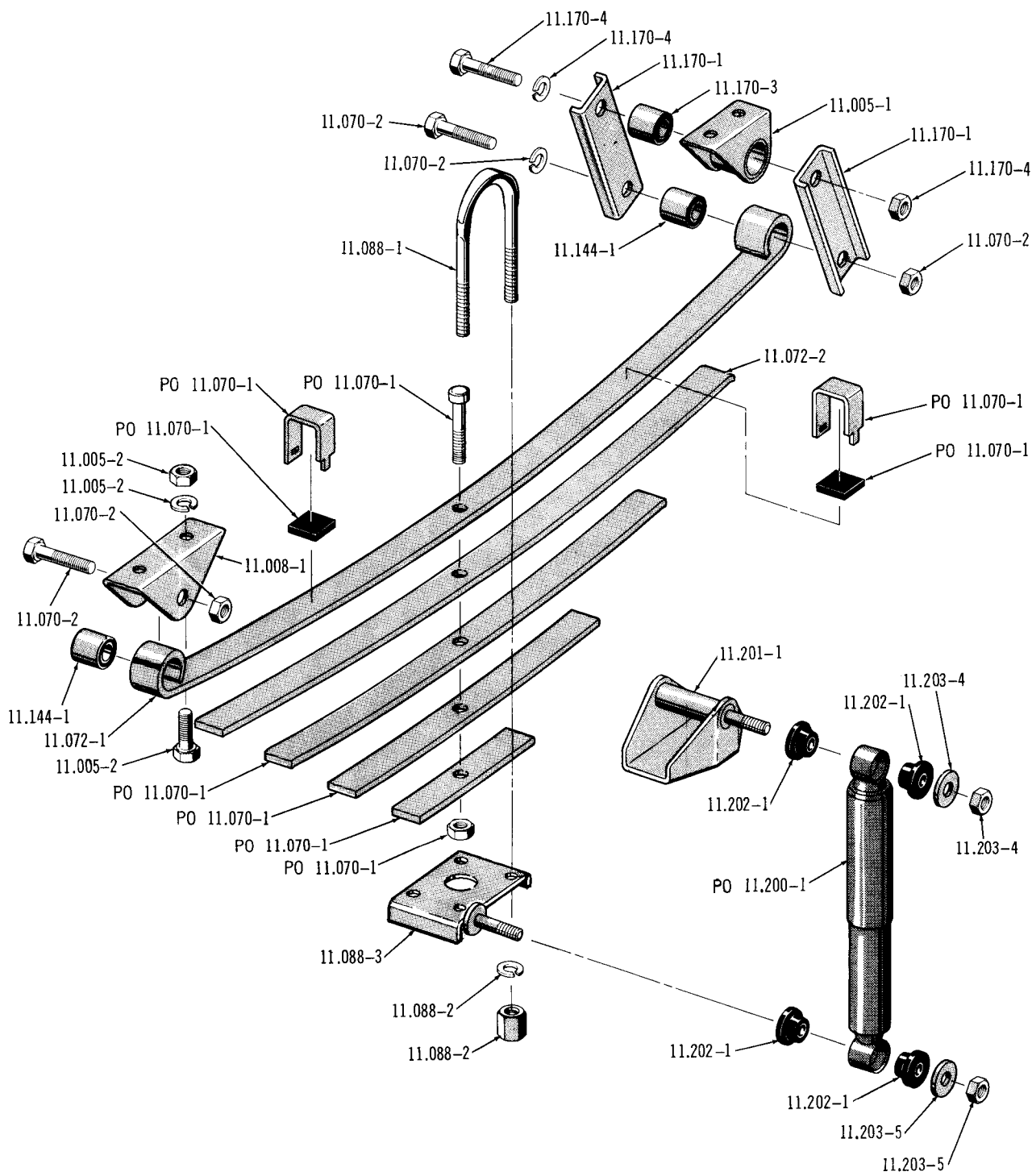


FRAME ASSEMBLY ... 1976 80-90

J-5842

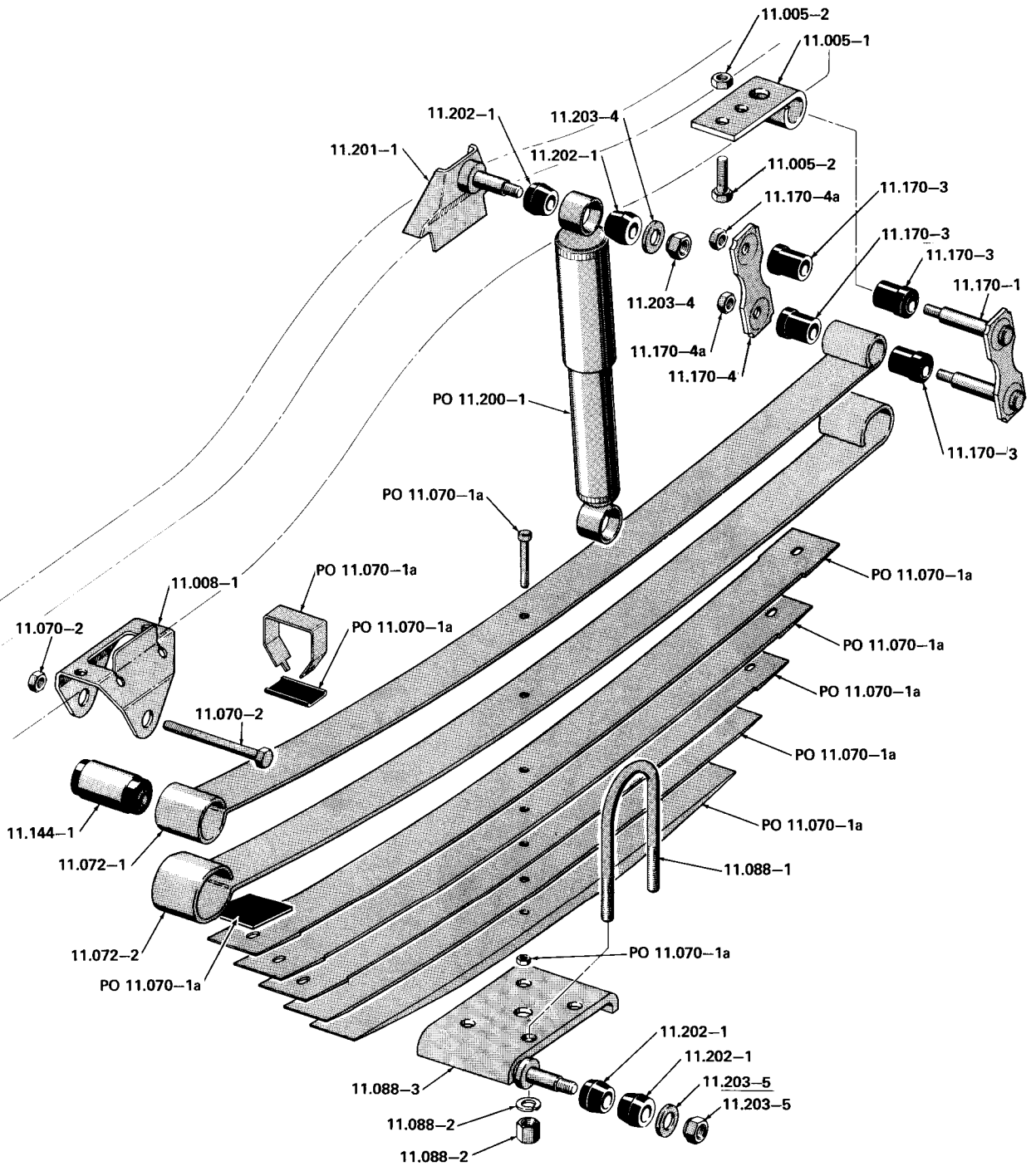


FRONT SPRING AND SHOCK ABSORBER . . . 10-20-40



J-4293

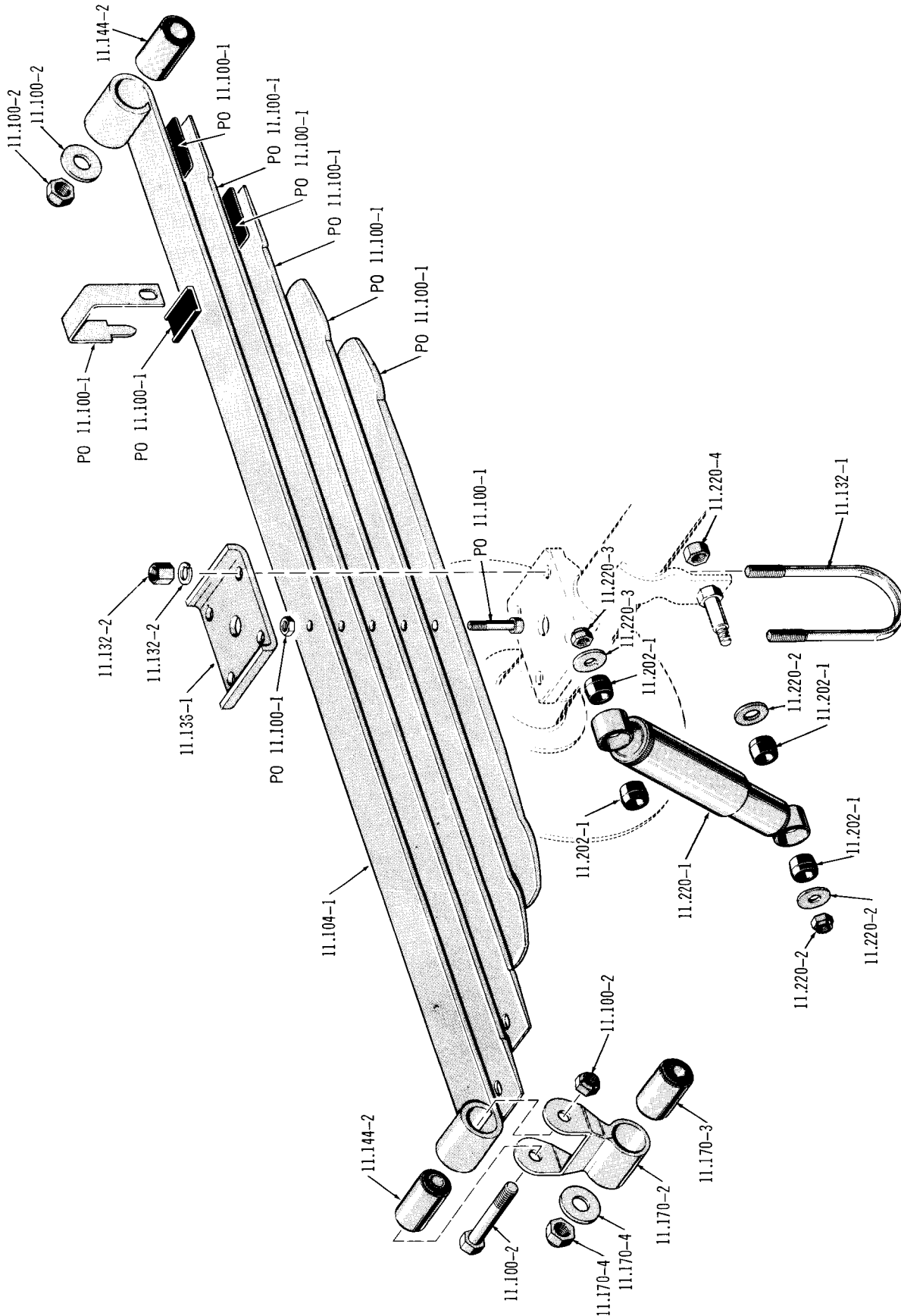
FRONT SPRING AND SHOCK ABSORBER . . . 1974/1975 80



J-6036

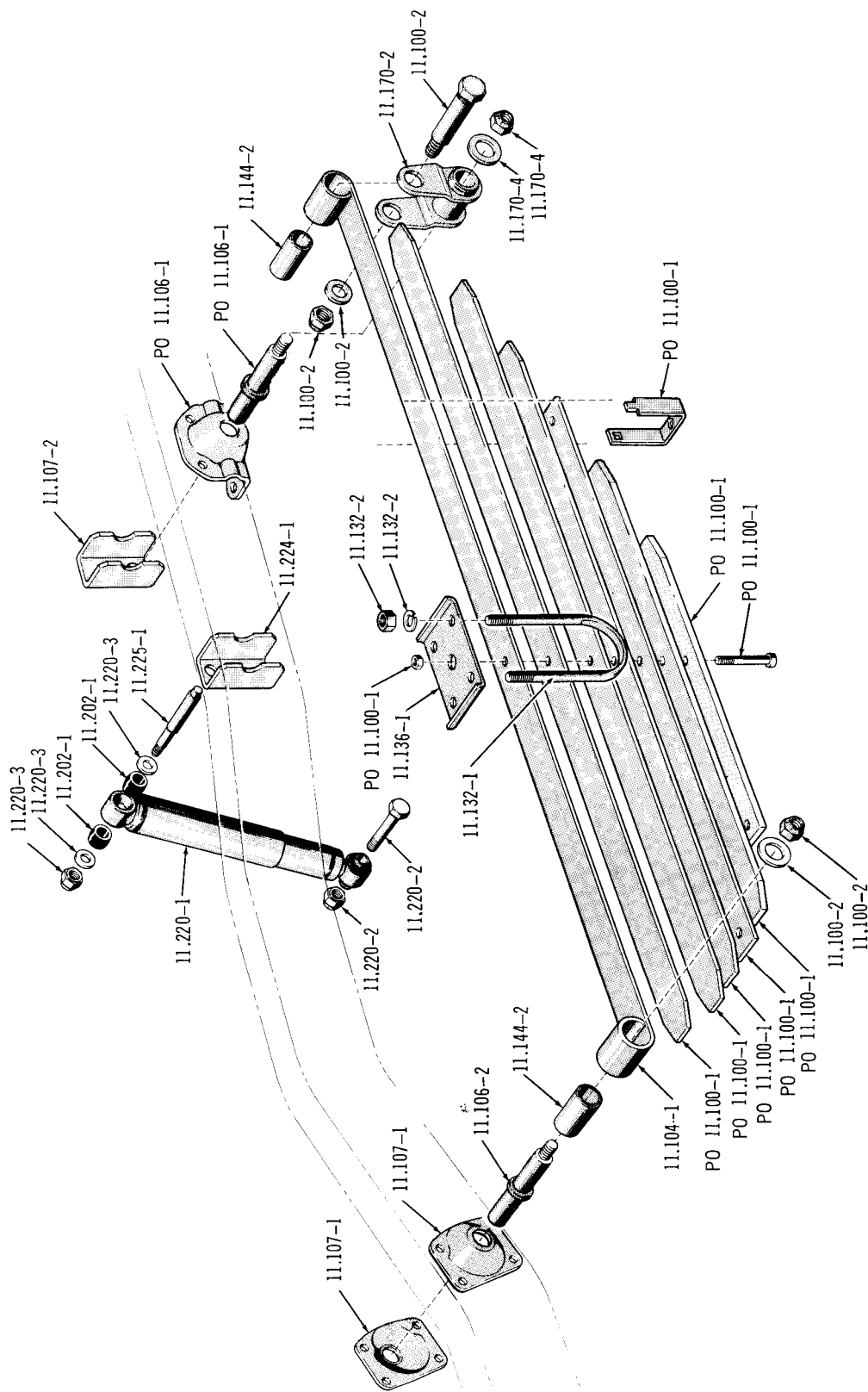
FRONT SPRING AND SHOCK ABSORBER . . . 1976 80-90

J-4396

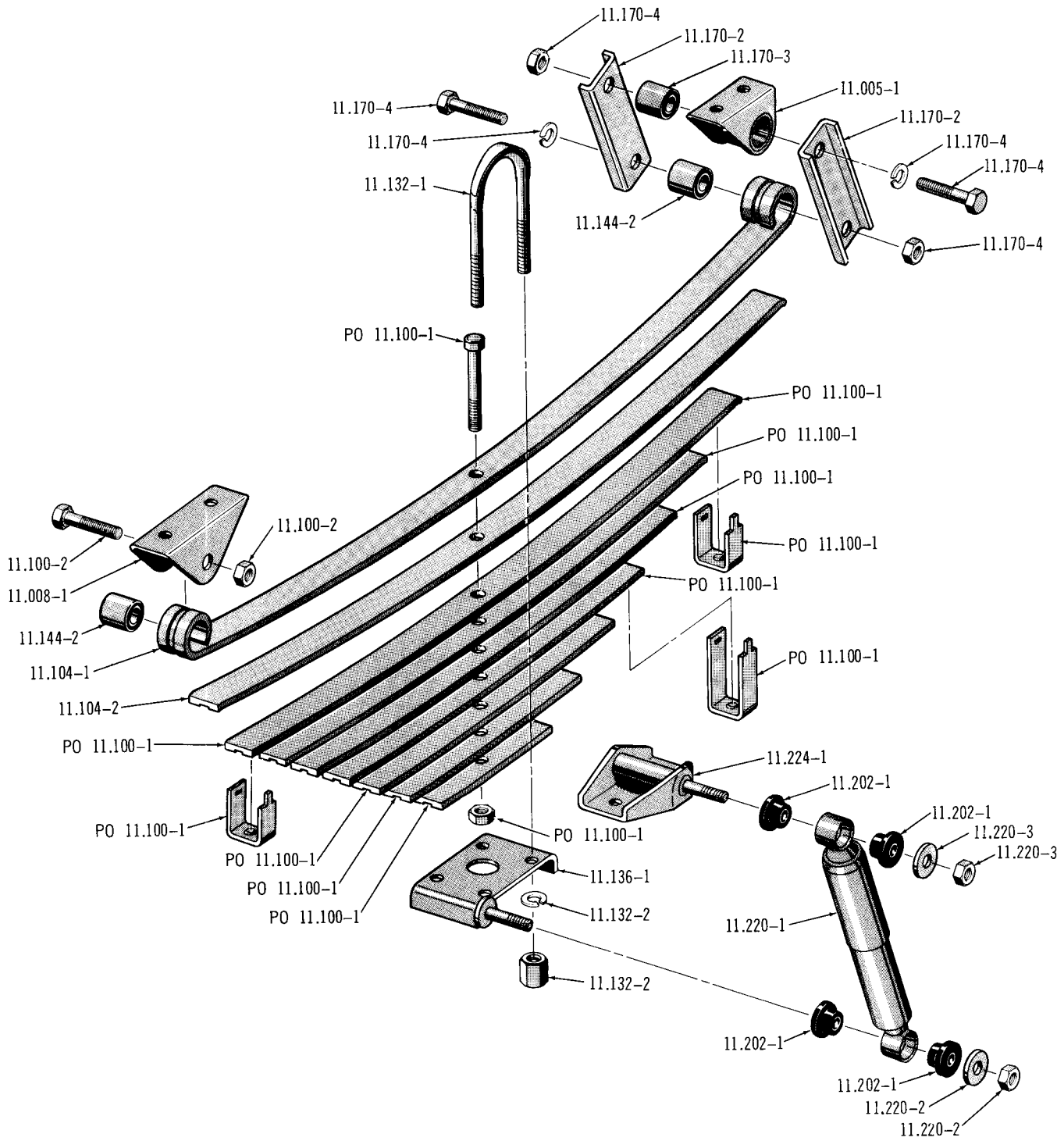


REAR SPRING AND SHOCK ABSORBER . . . 10

J-5659

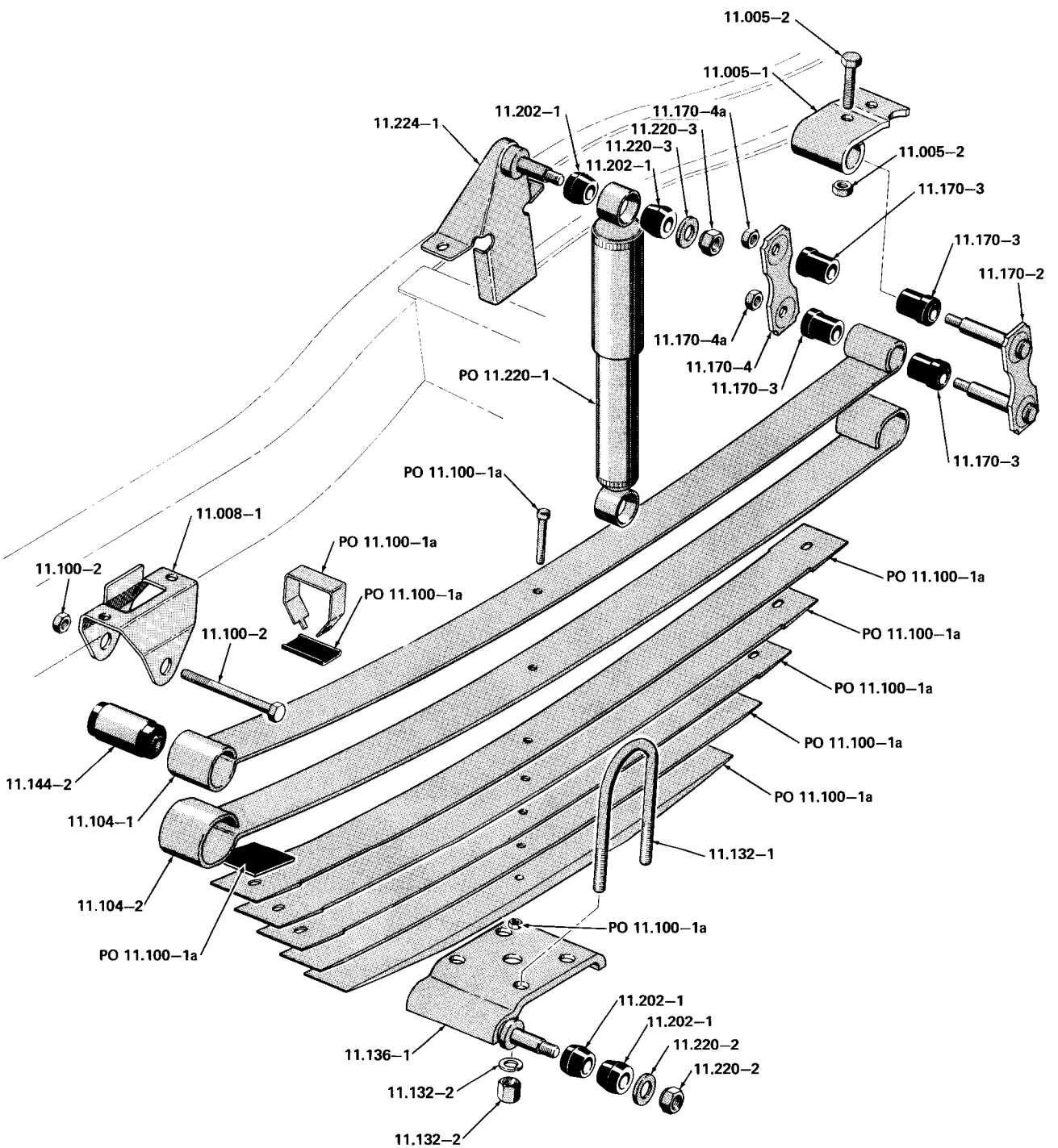


REAR SPRING AND SHOCK ABSORBER . . . 20-40



J-4292

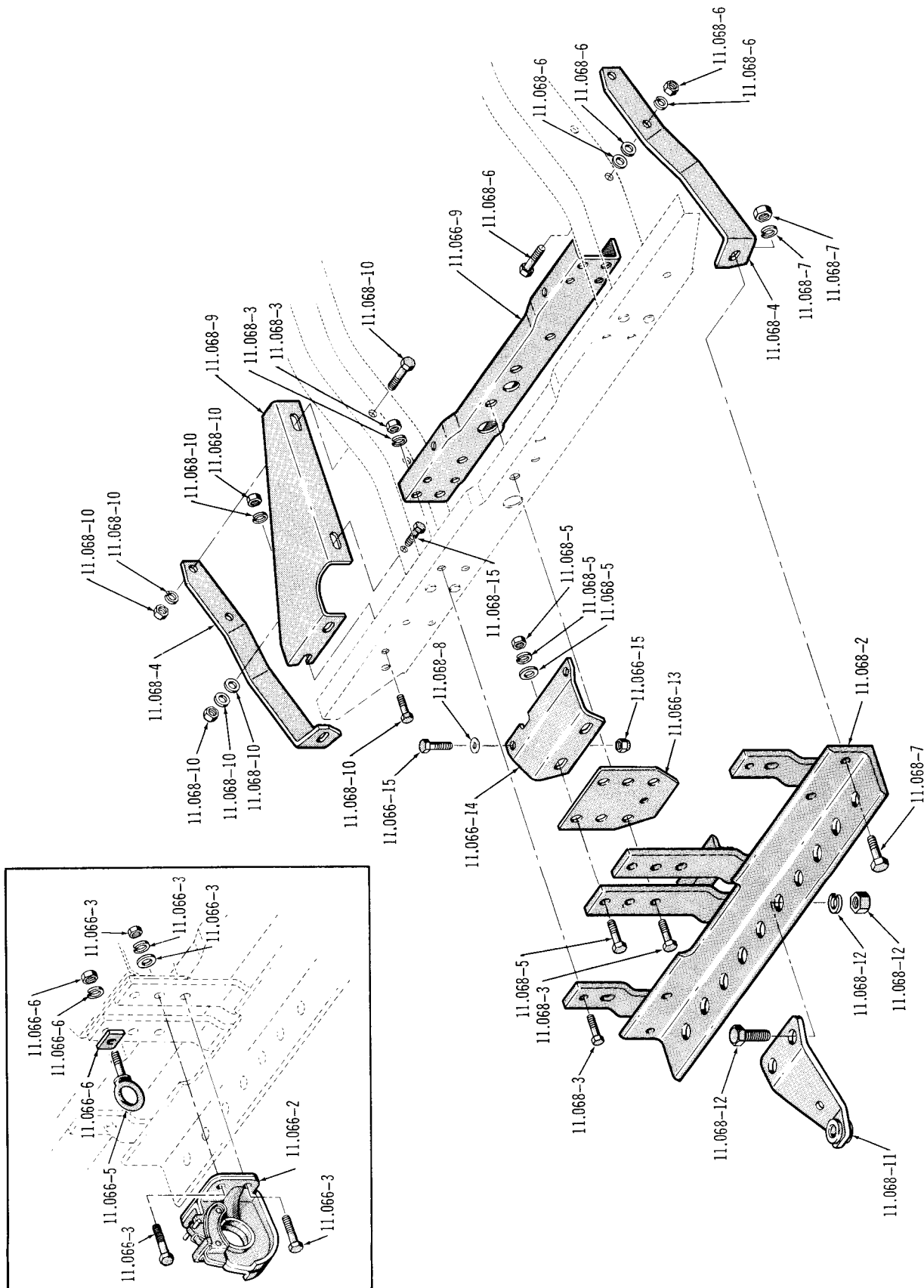
REAR SPRING AND SHOCK ABSORBER . . . 1974/1975 80



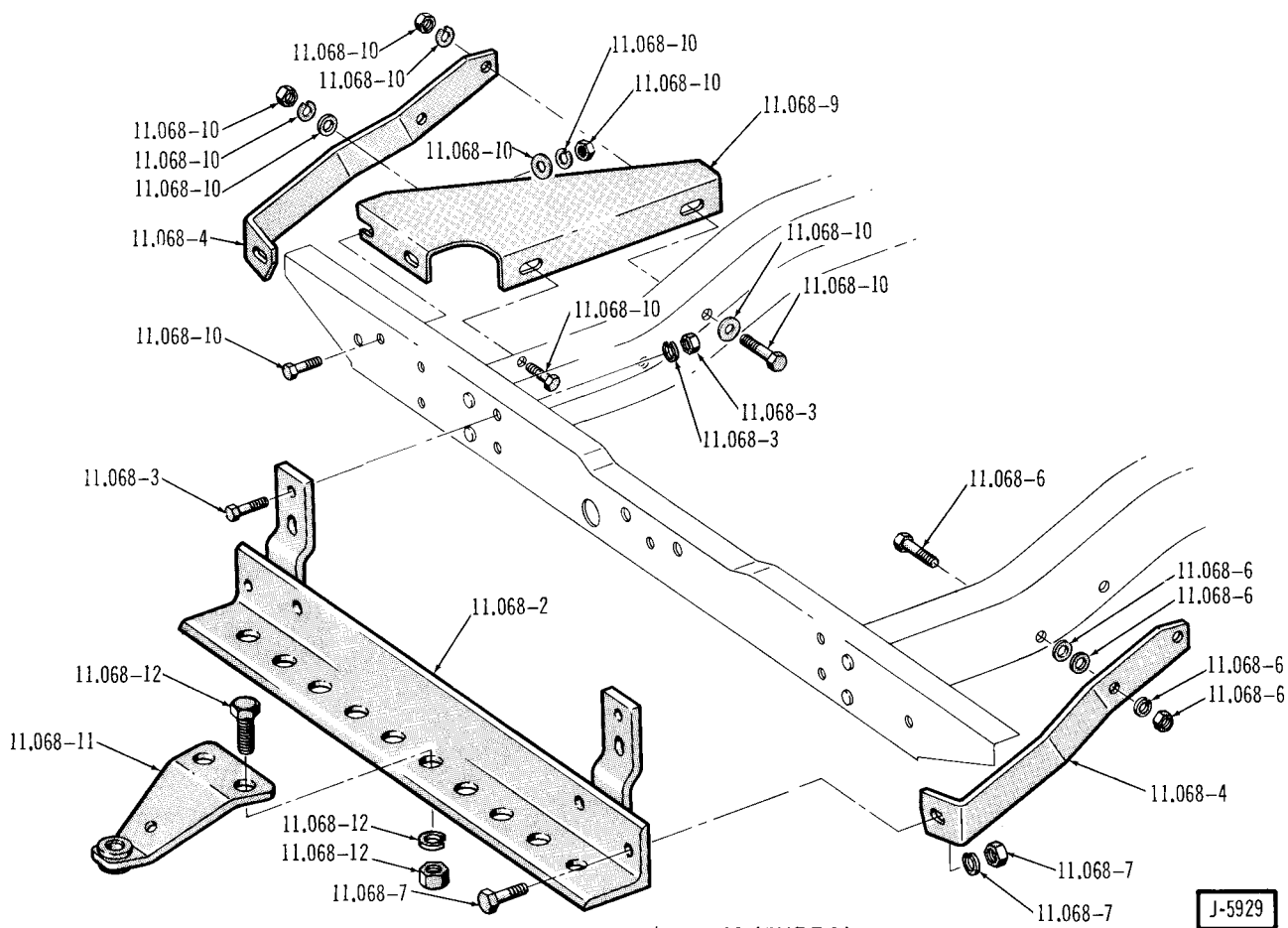
J-6038

REAR SPRING AND SHOCK ABSORBER ... 1976 80-90

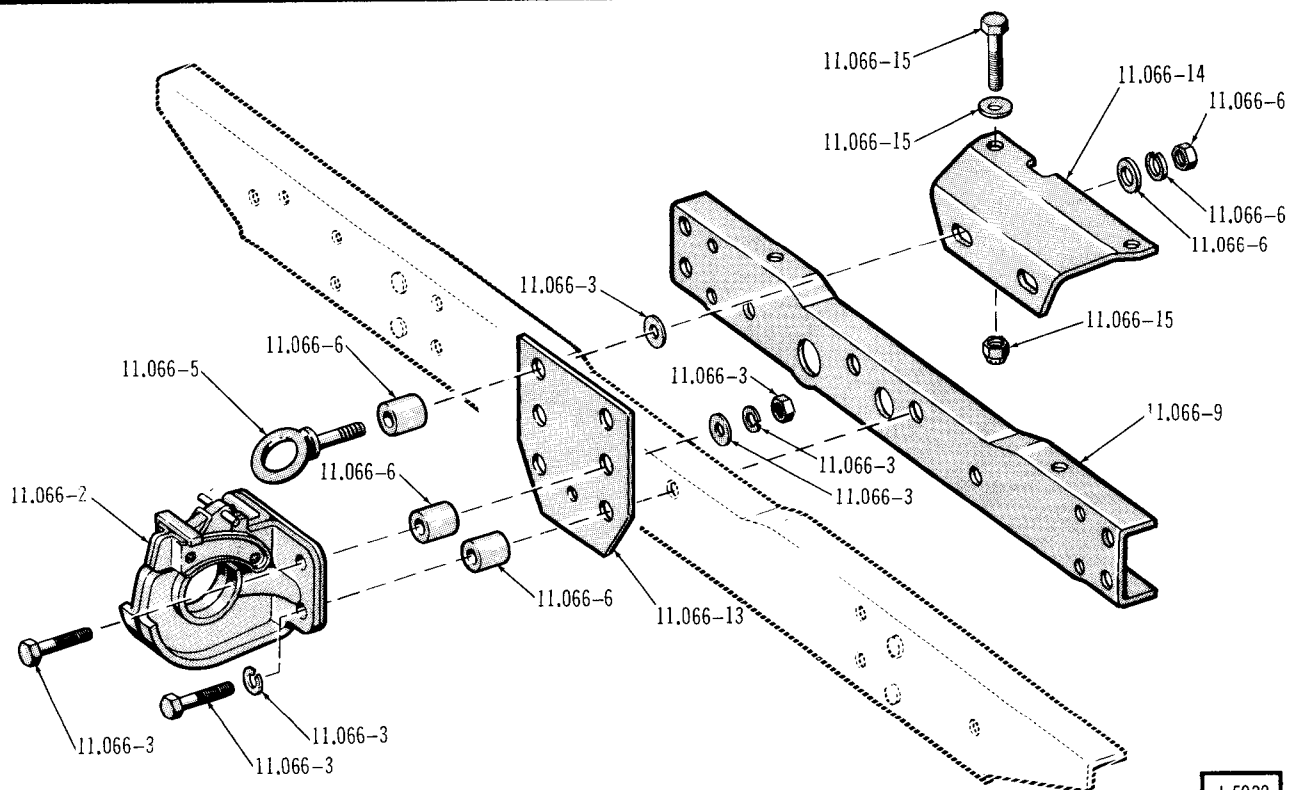
J-4254



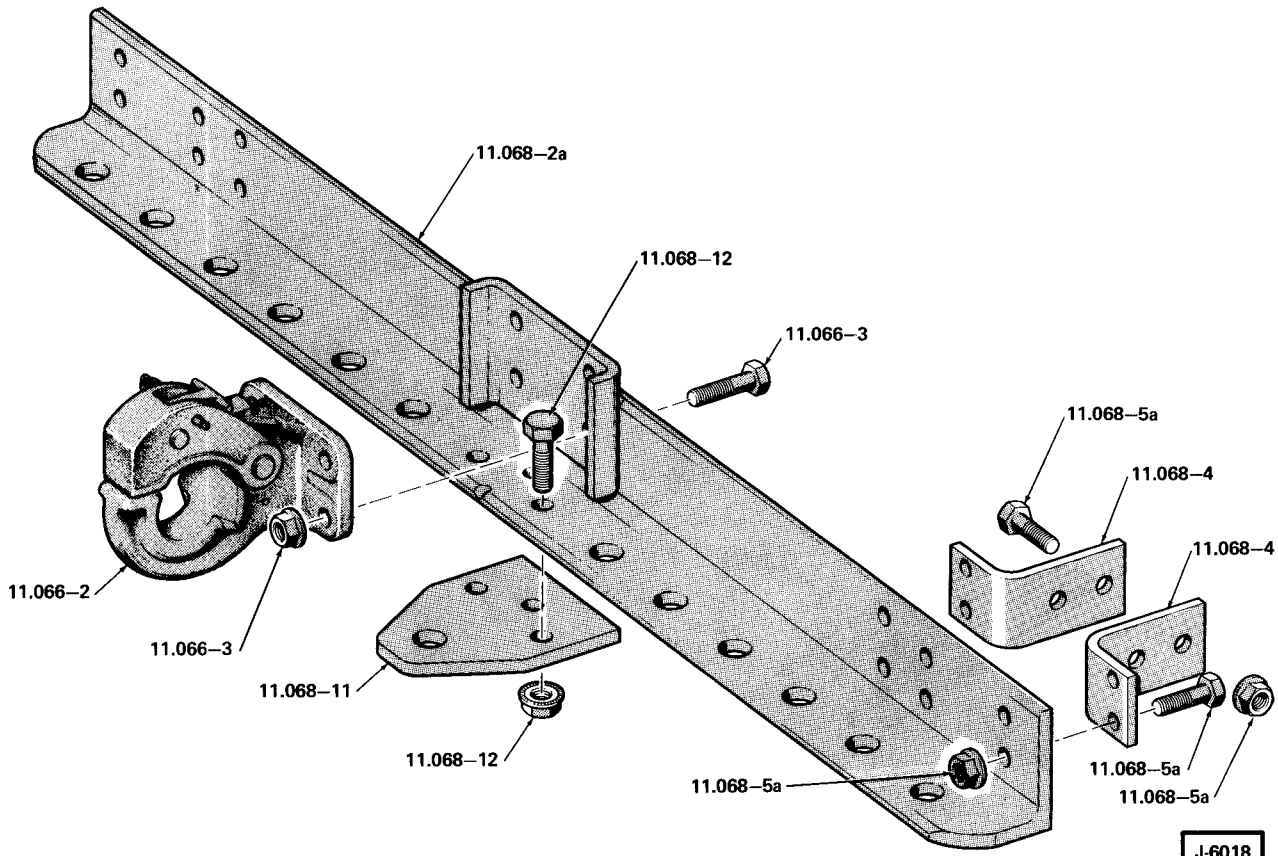
PINTLE HOOK AND DRAW BAR . . . 1974/1975 80 (TYPE 1)



DRAW BAR . . . 1974/1975 80 (TYPE 2)

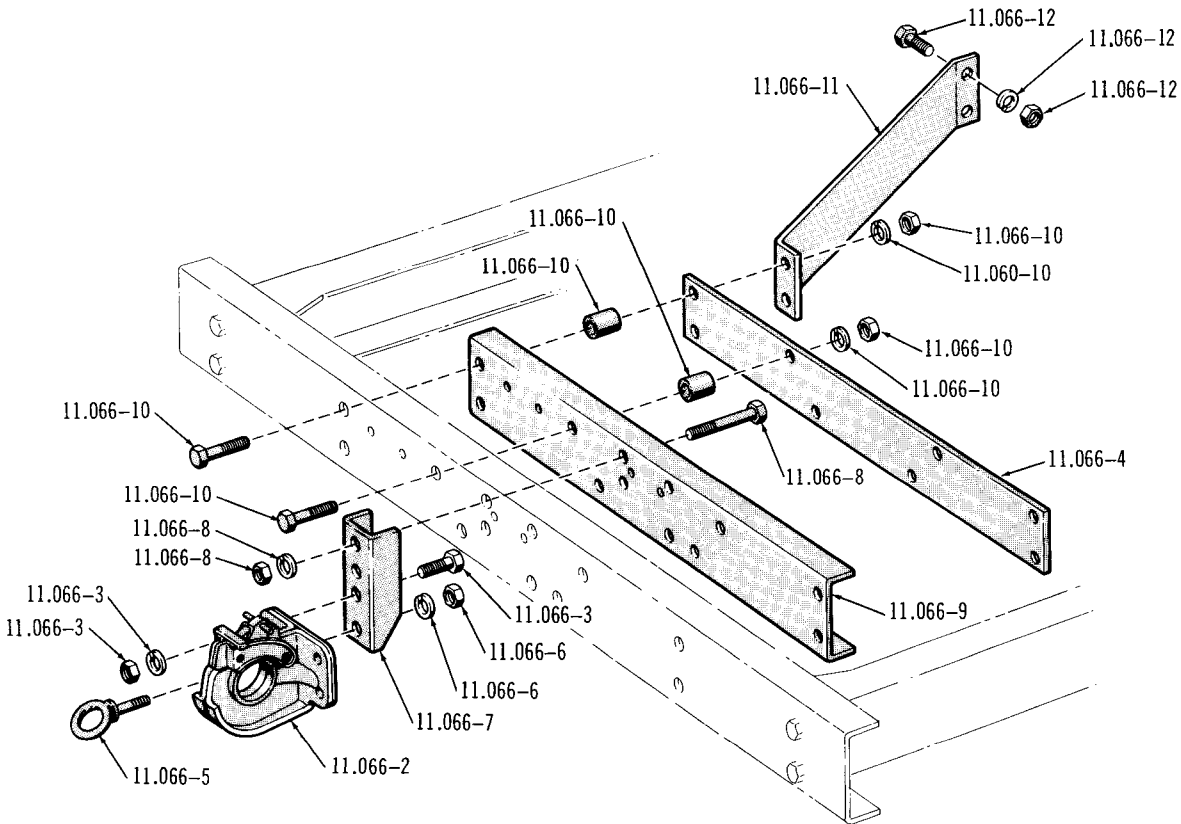


PINTLE HOOK . . . 1974/1975 80 (TYPE 2)



PINTLE HOOK AND DRAW BAR . . . 1976 80-90

J-6018



PINTLE HOOK . . . 1974 20, 1976 20-40

J-5743