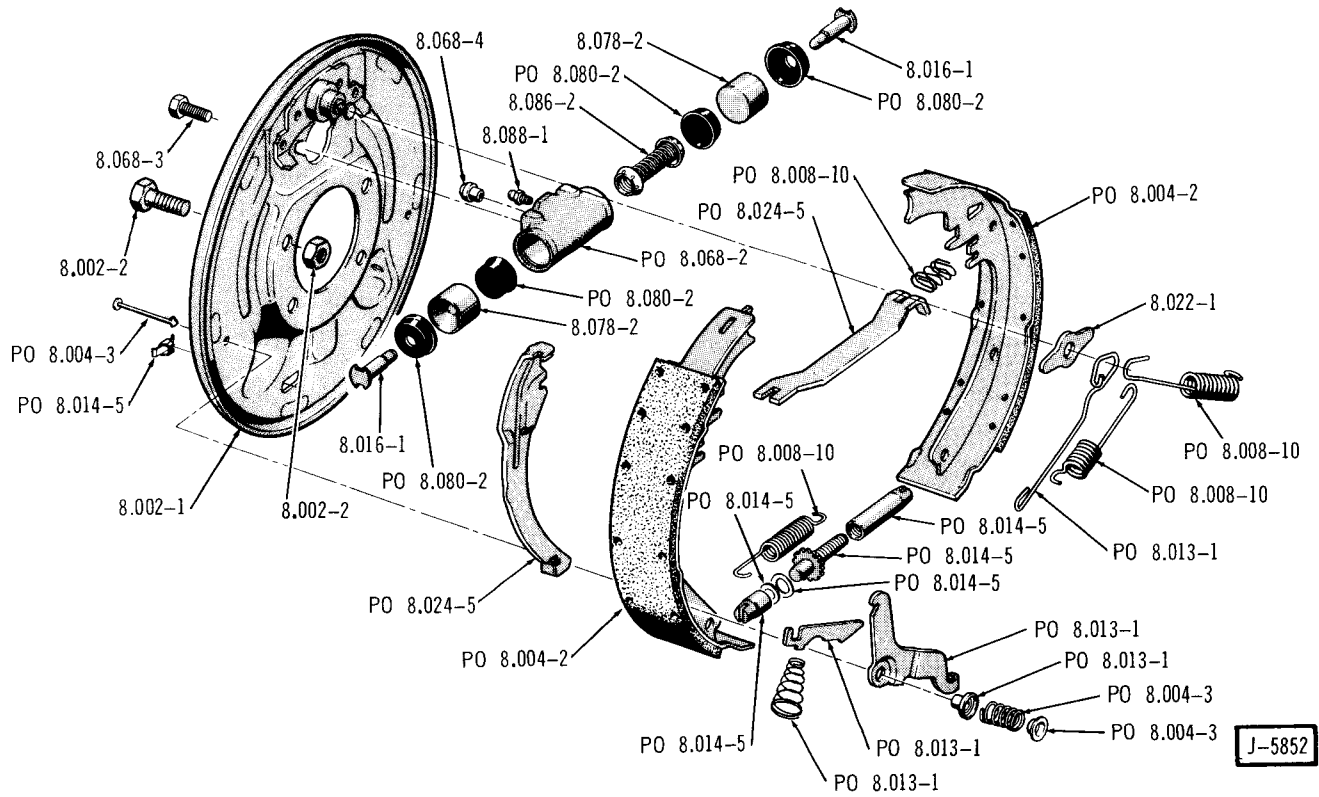


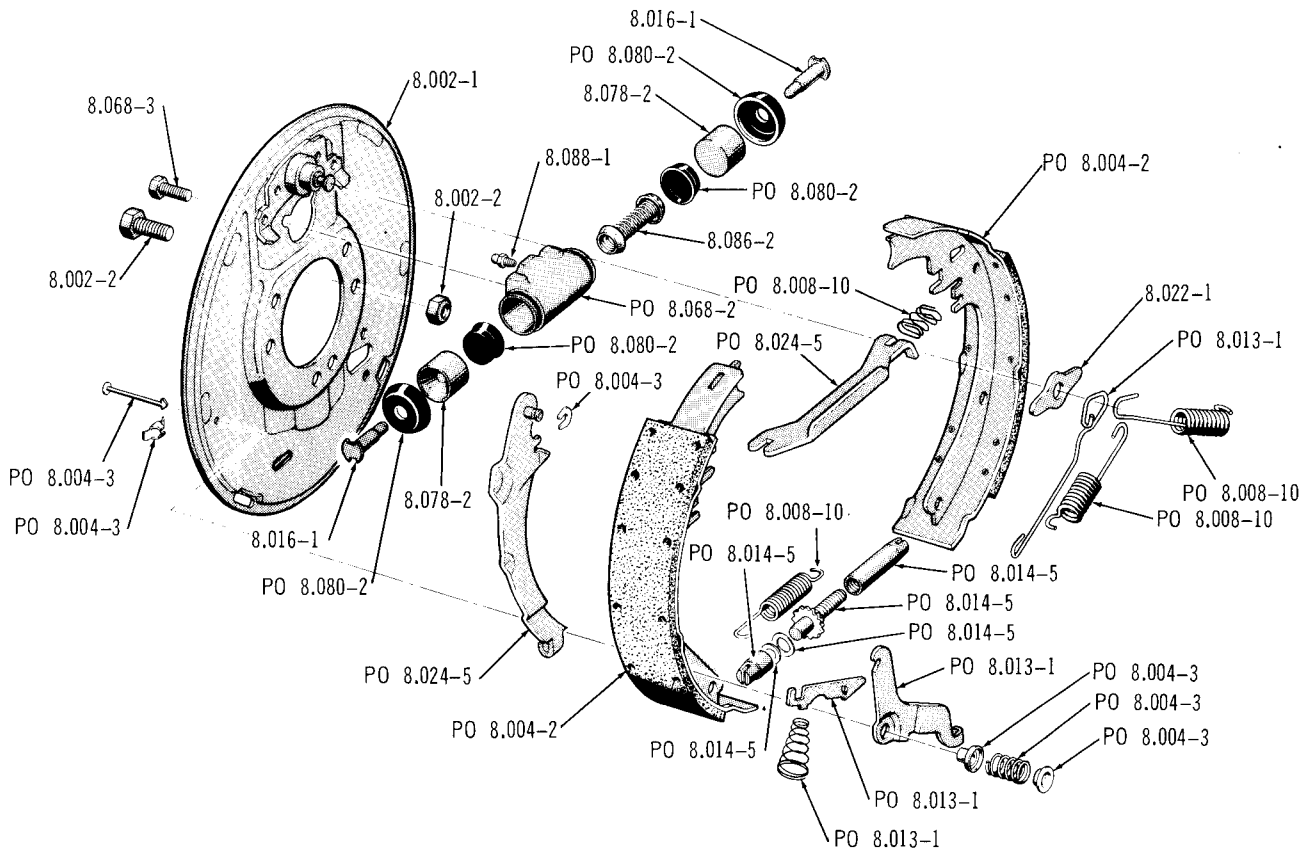
J-5873

FRONT BRAKE . . . 10-25-45



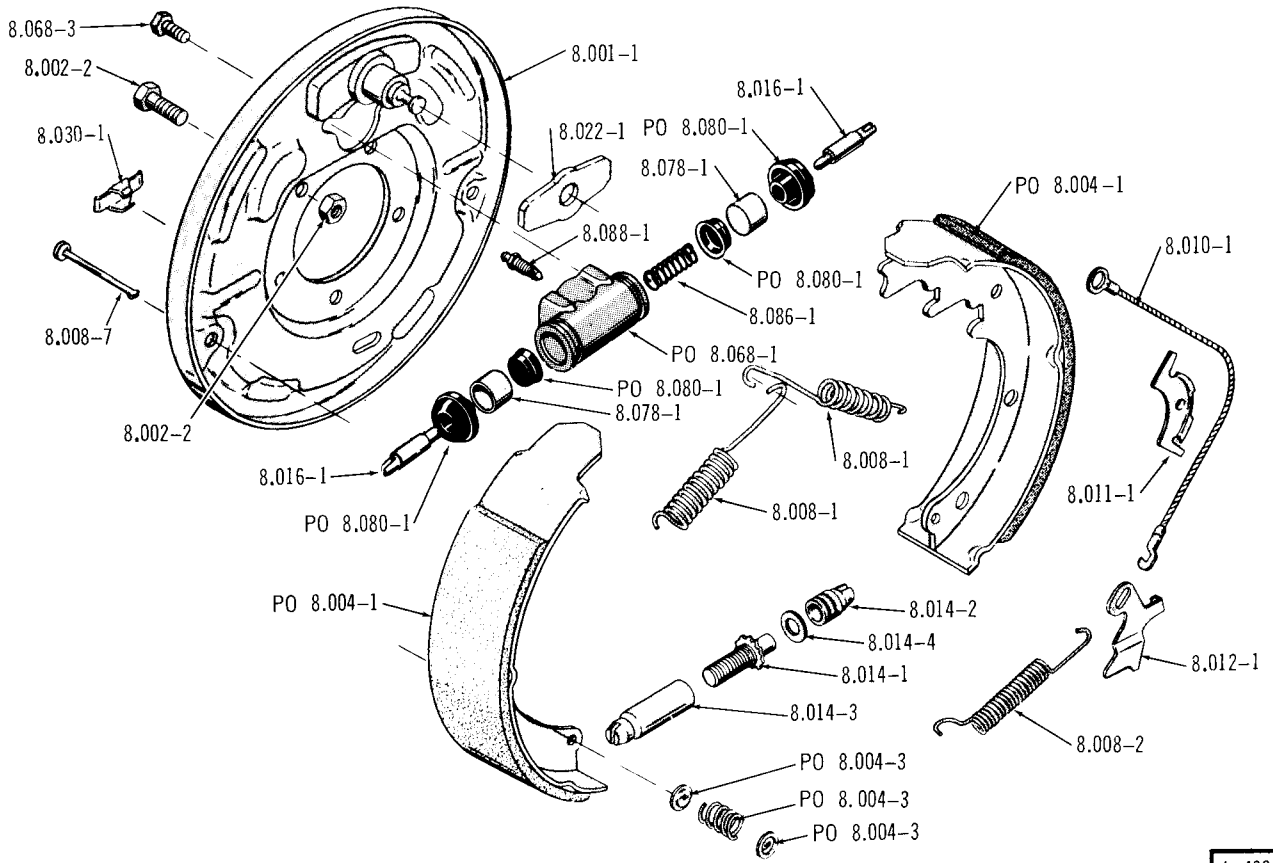
J-5852

REAR BRAKE . . . 10-25-45



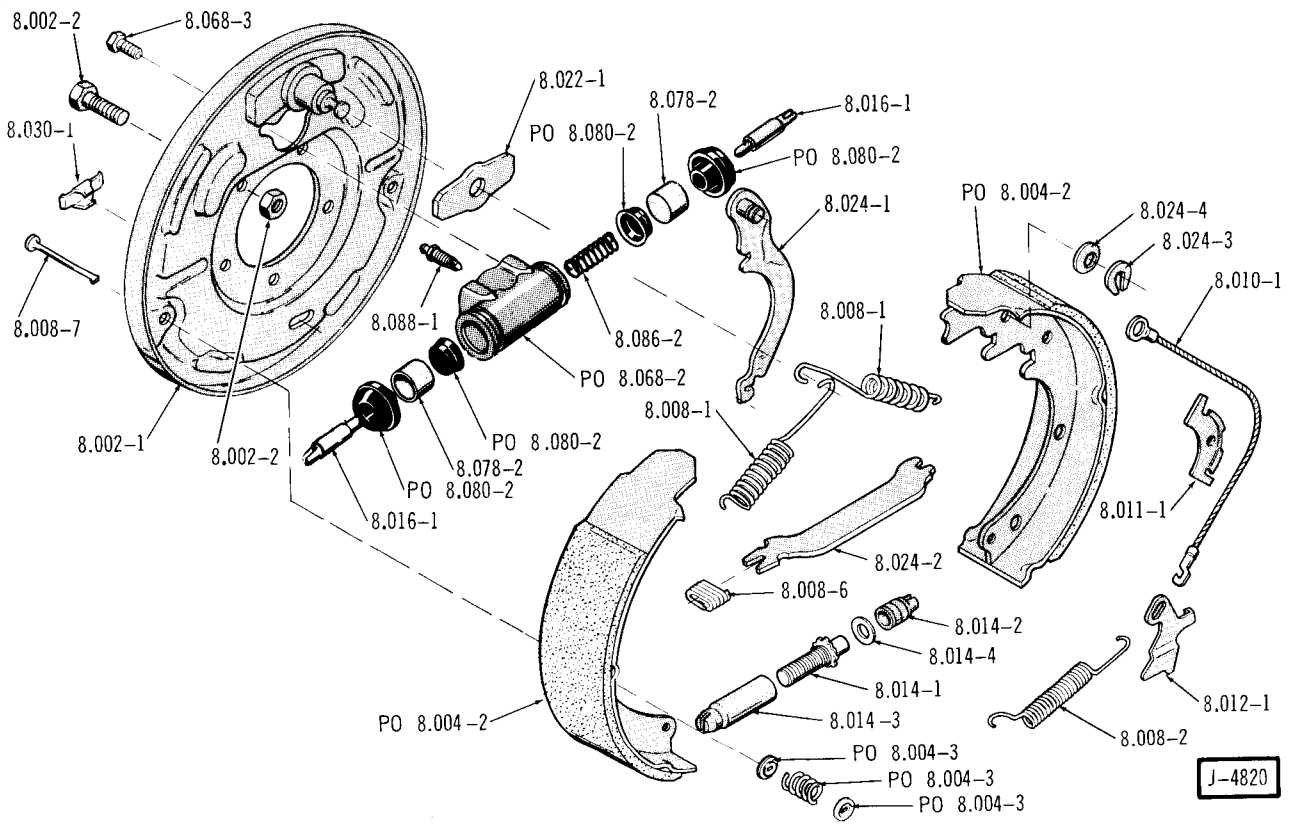
REAR BRAKE . . . 26-46

J-5874



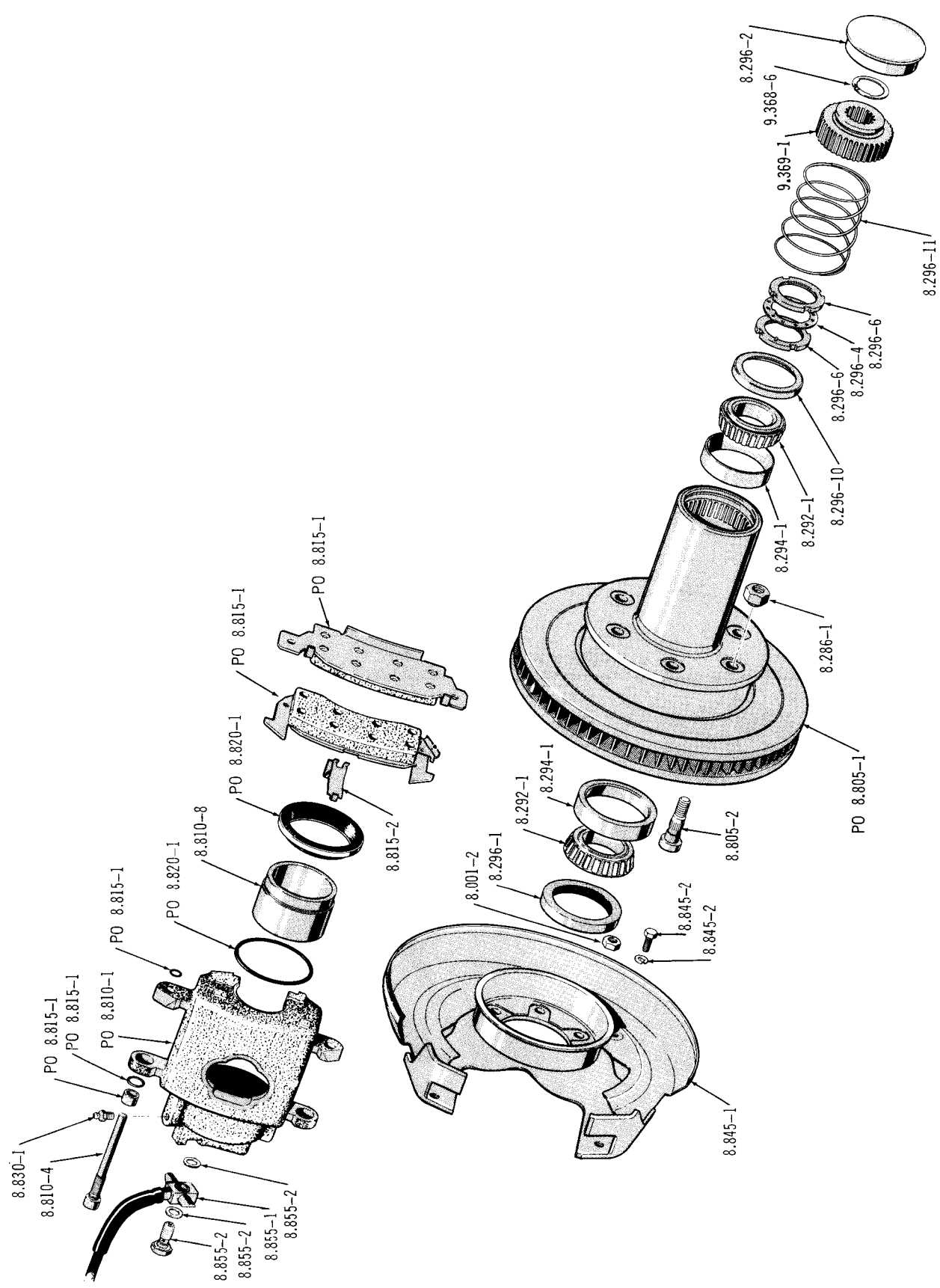
J-4883

FRONT BRAKE . . . 80-90



J-4820

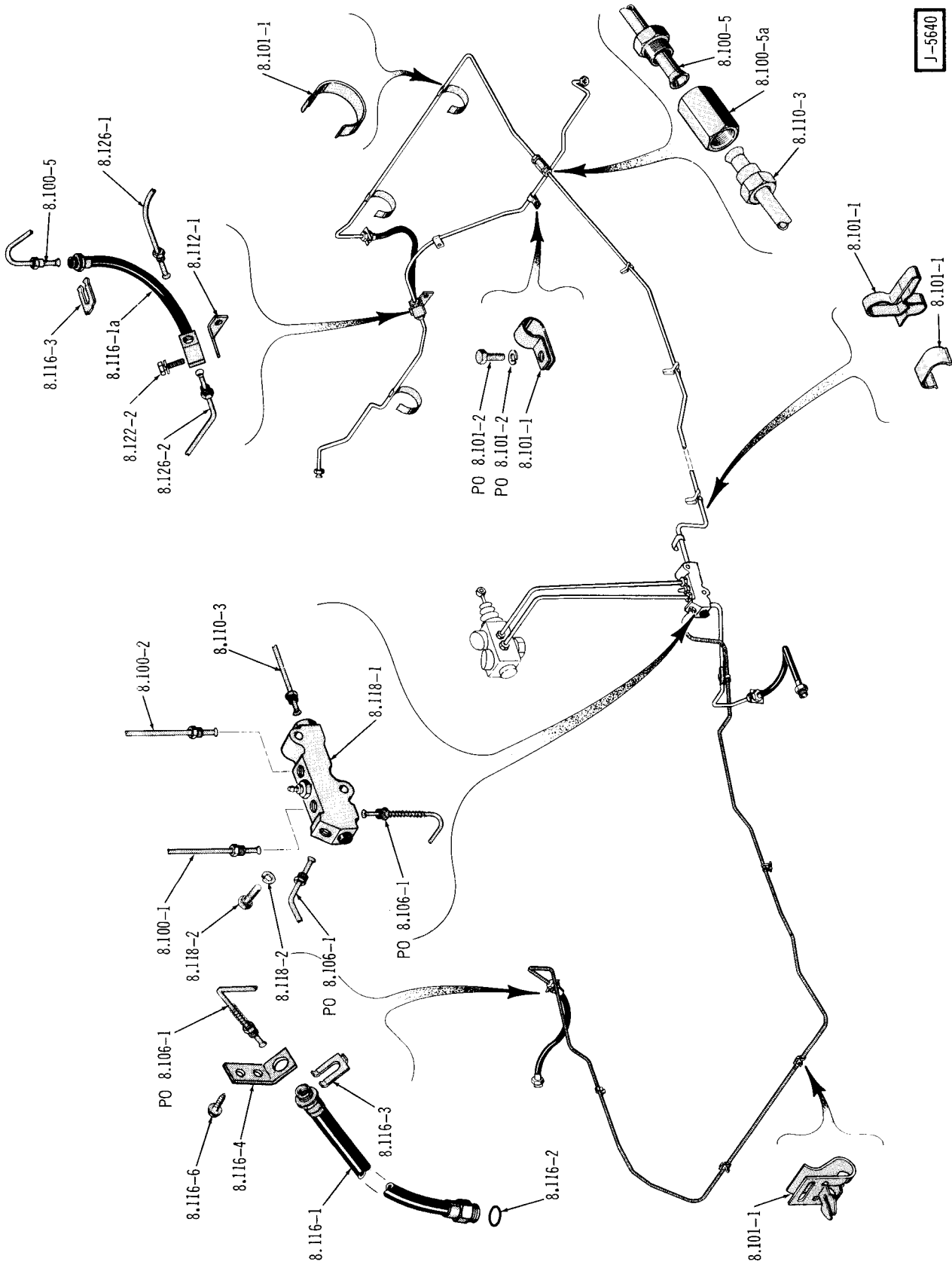
REAR BRAKE . . . 80-90



J-5853

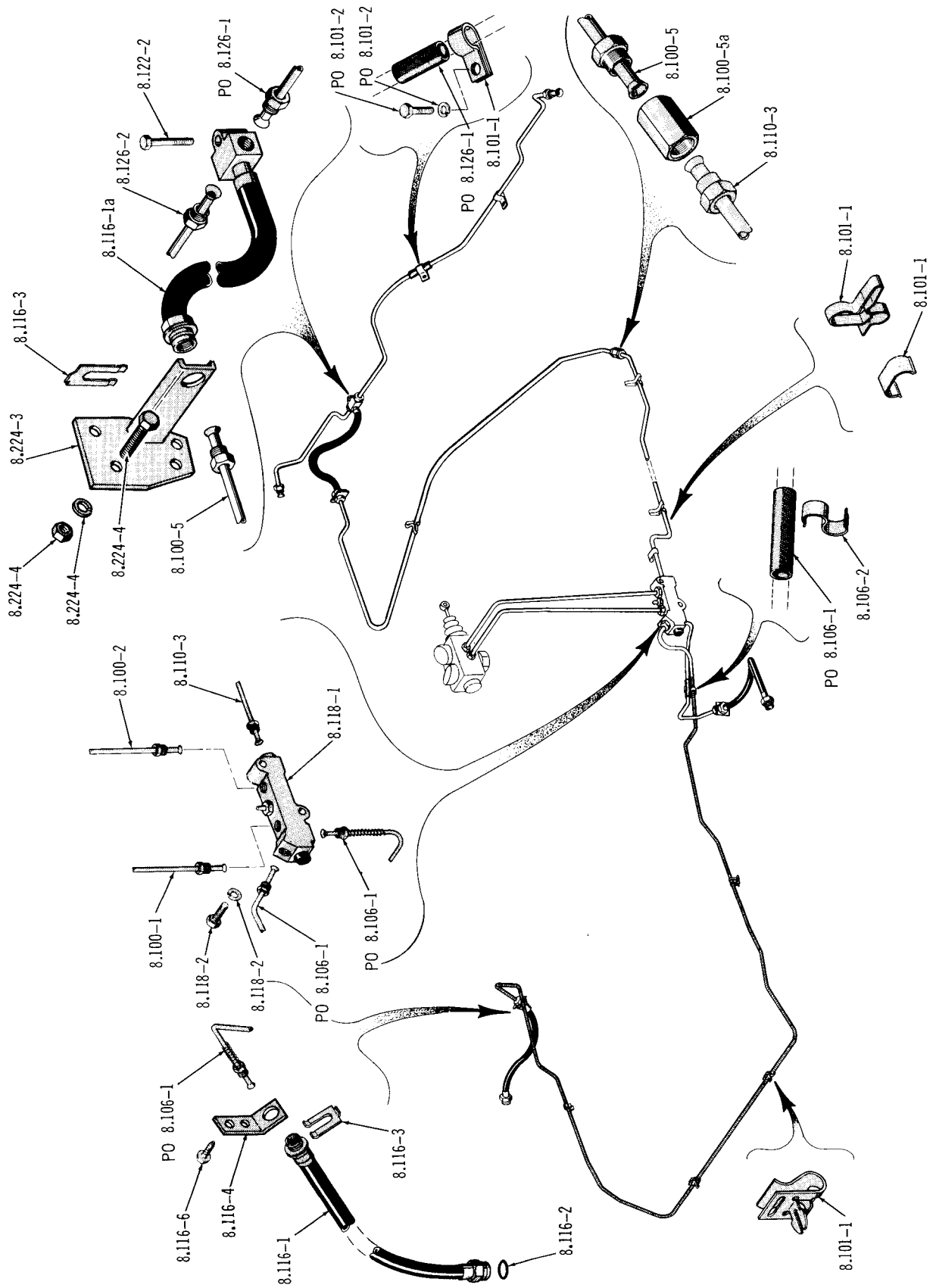
FRONT DISC BRAKE ... 10-25-45

J-5640



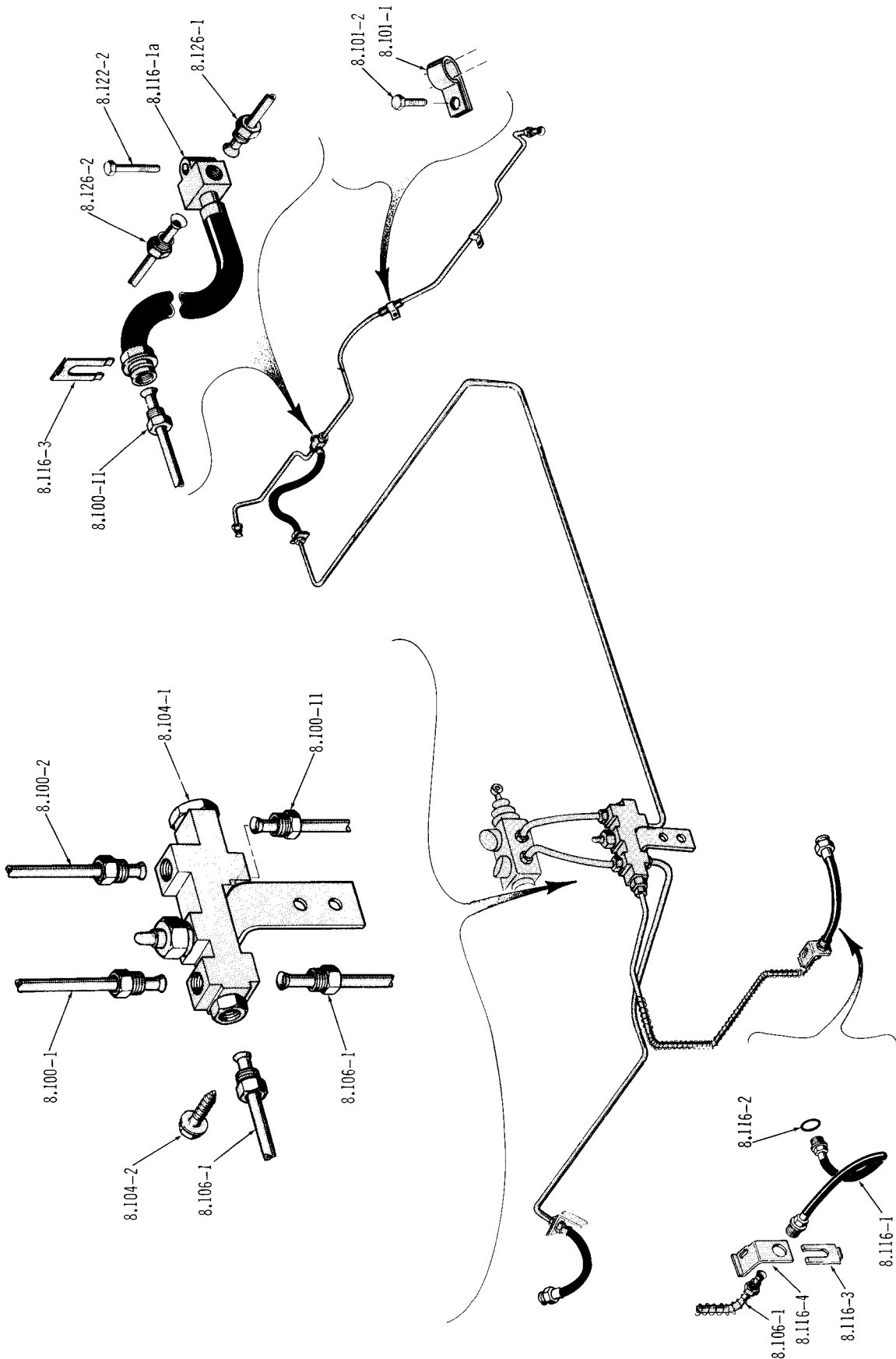
BRAKE LINES . . . 10

J-5641

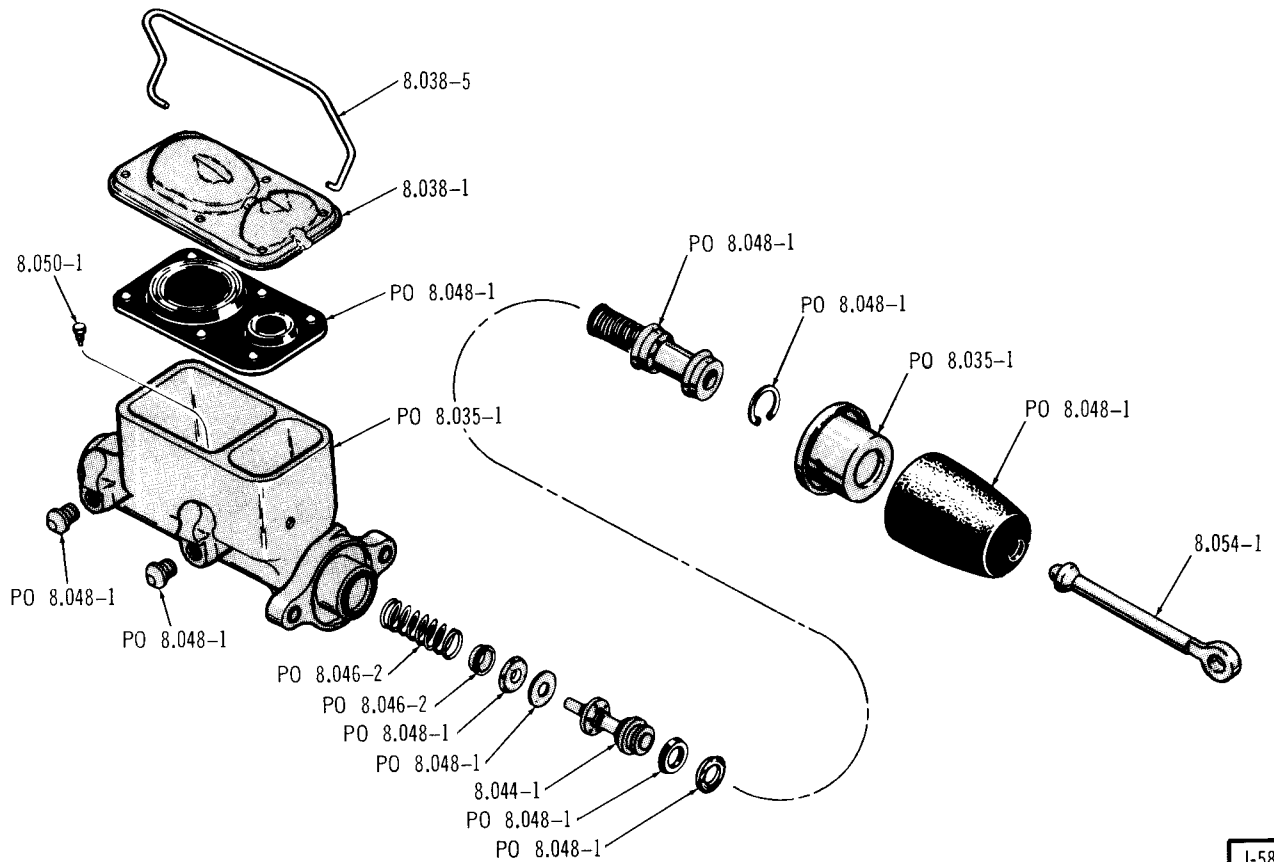


BRAKE LINES . . . 20-40

J-4815

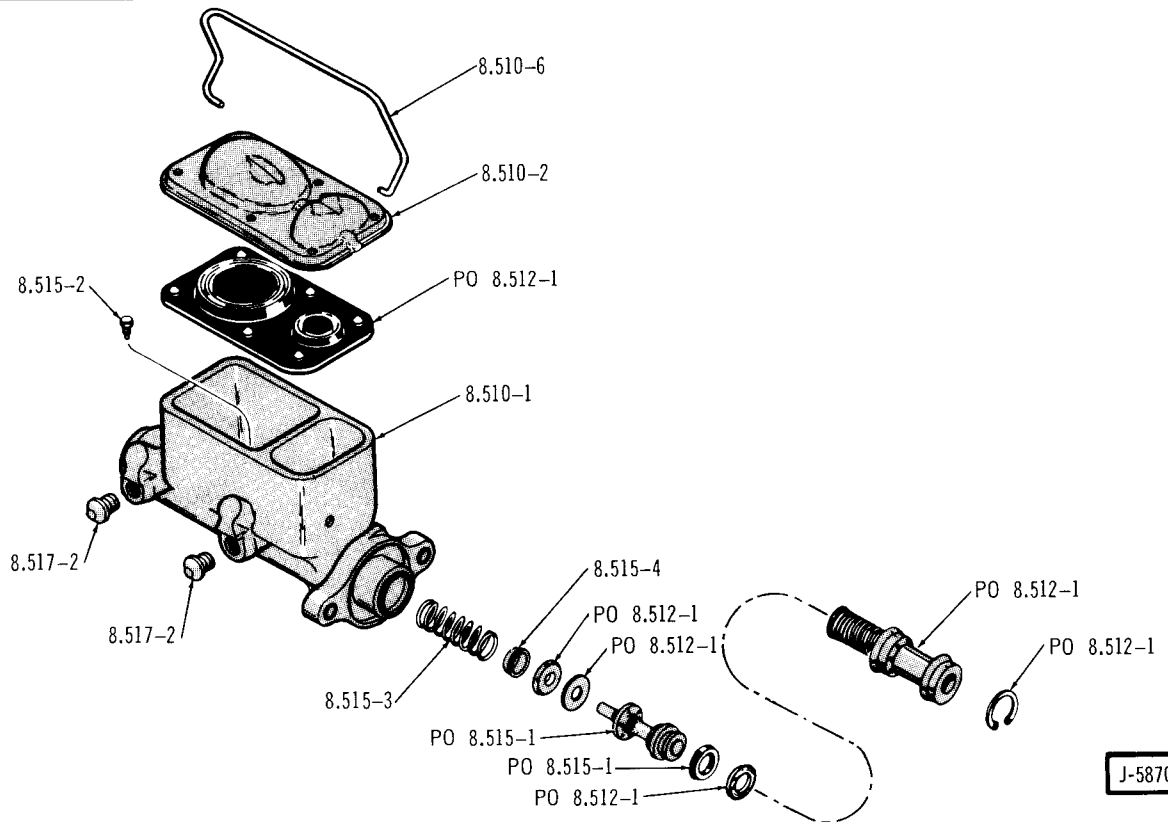


BRAKE LINES... 1974/1975 80



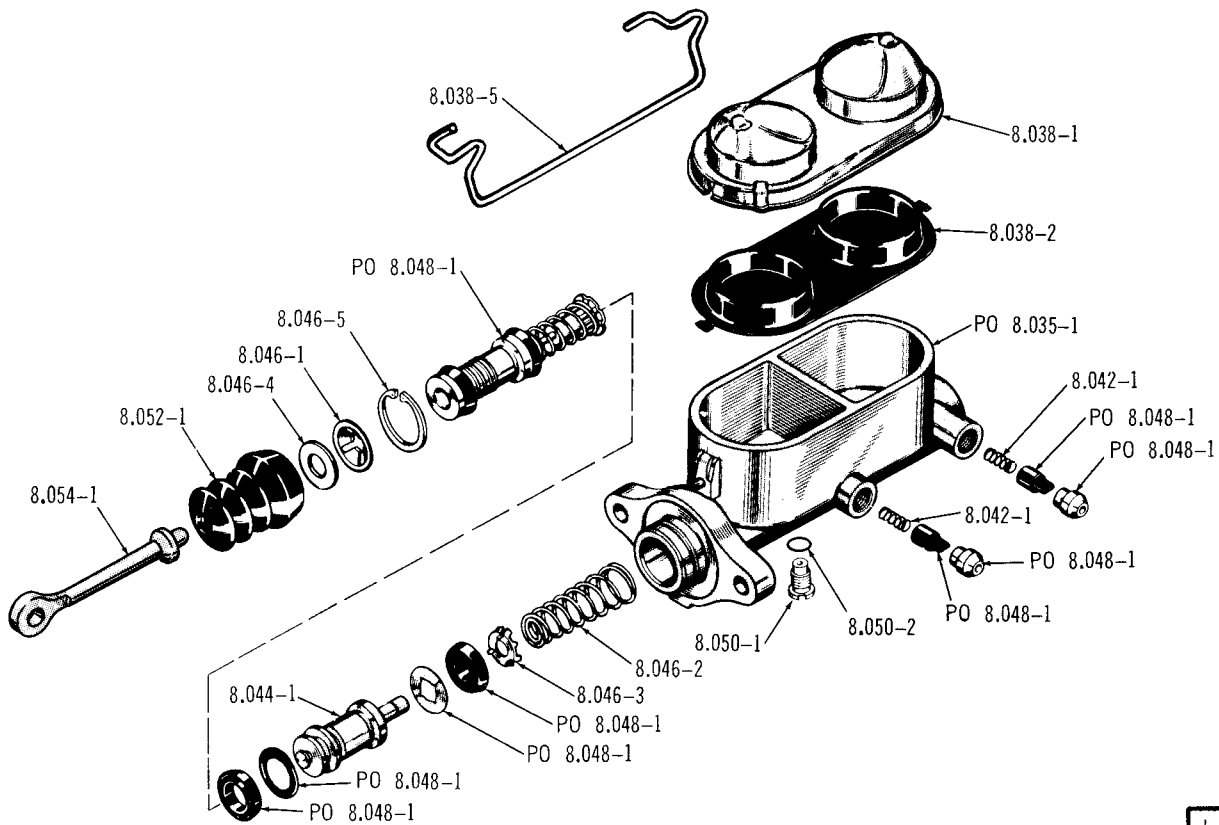
J-5869

MASTER CYLINDER . . . 10-25-45 (LPB)



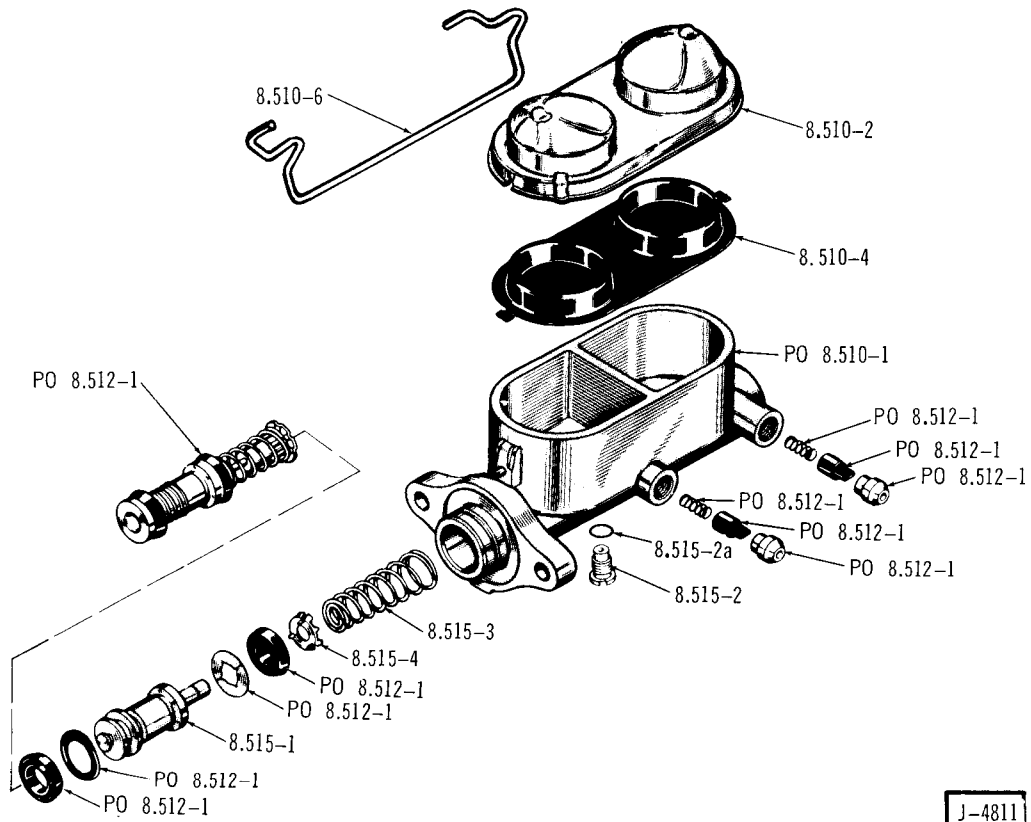
J-5870

MASTER CYLINDER . . . 10-20-40 (WPB)



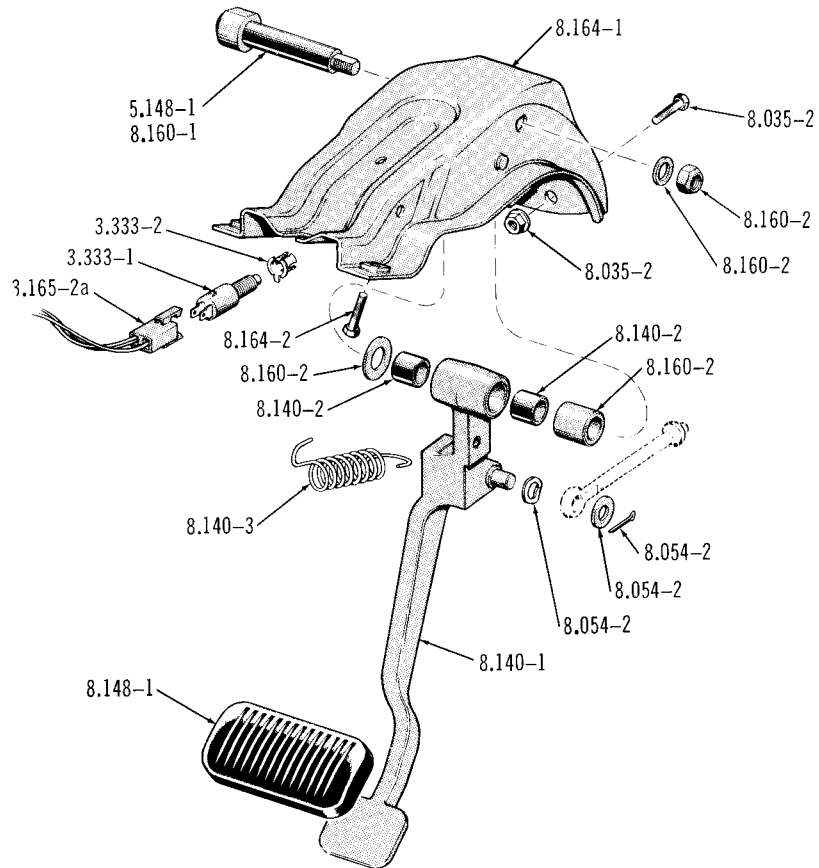
J-4876

MASTER CYLINDER . . . 1974/1975 80 (LPB)



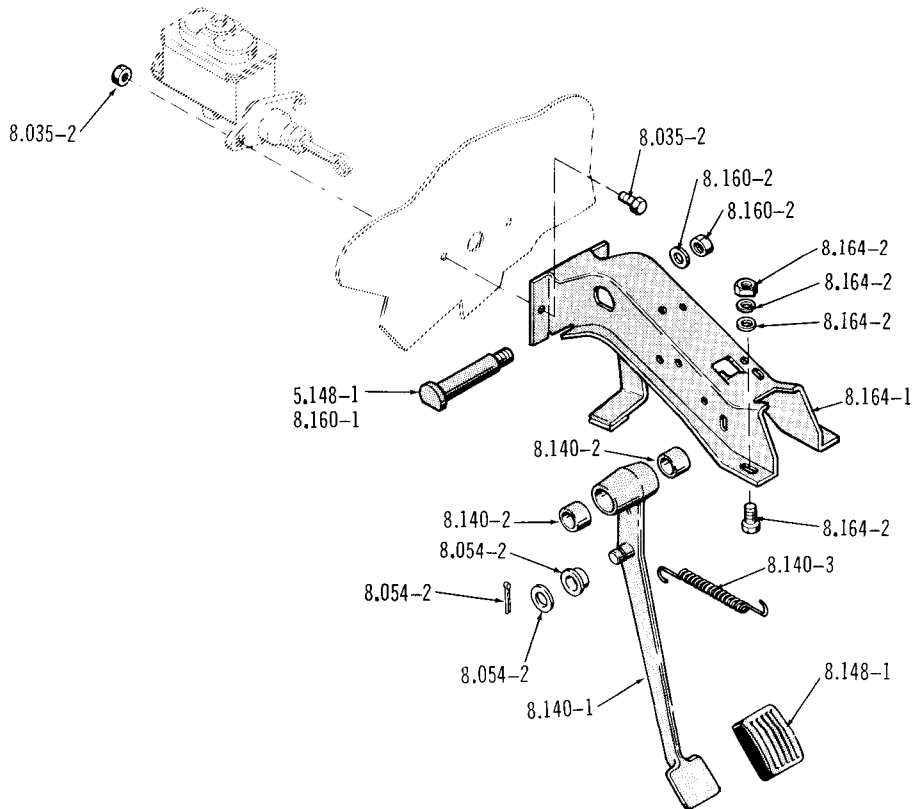
J-4811

MASTER CYLINDER . . . 1974/1975 80 (WPB)



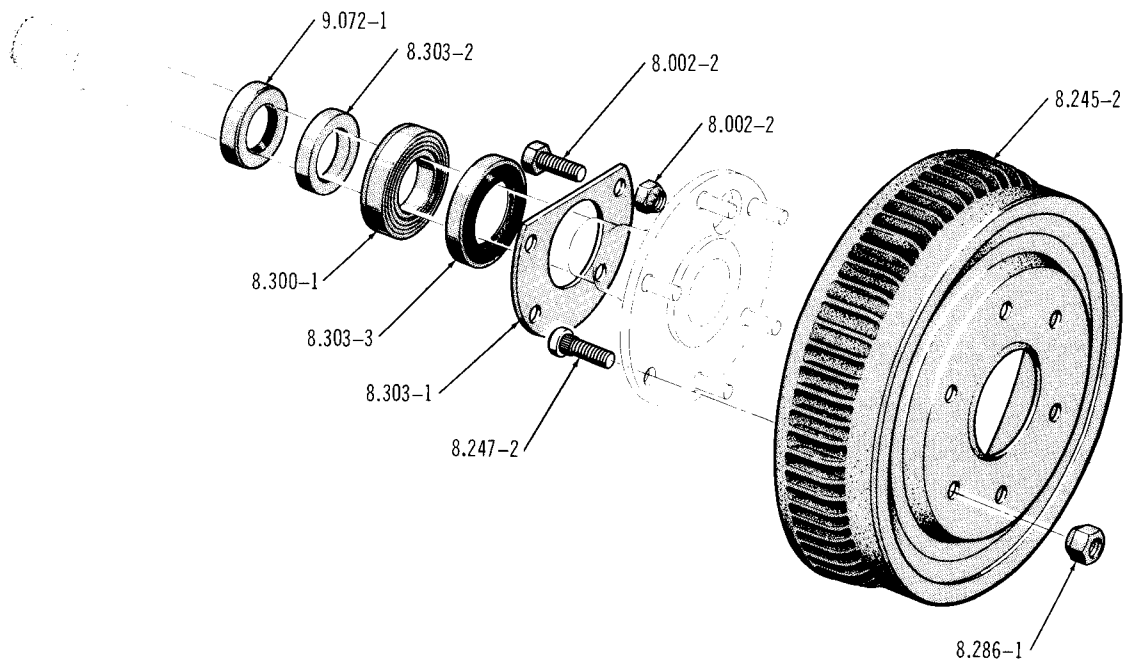
BRAKE PEDAL . . . 10-20-40

J-5903



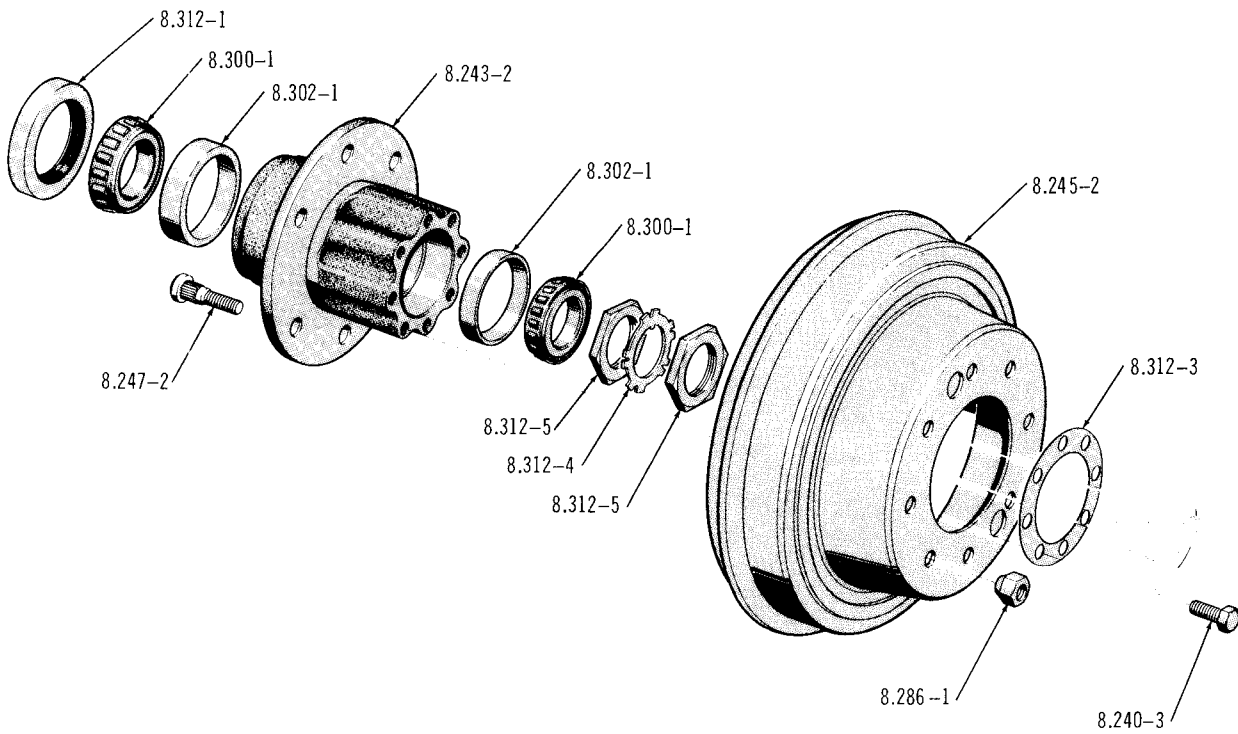
BRAKE PEDAL . . . 80-90

J-4821



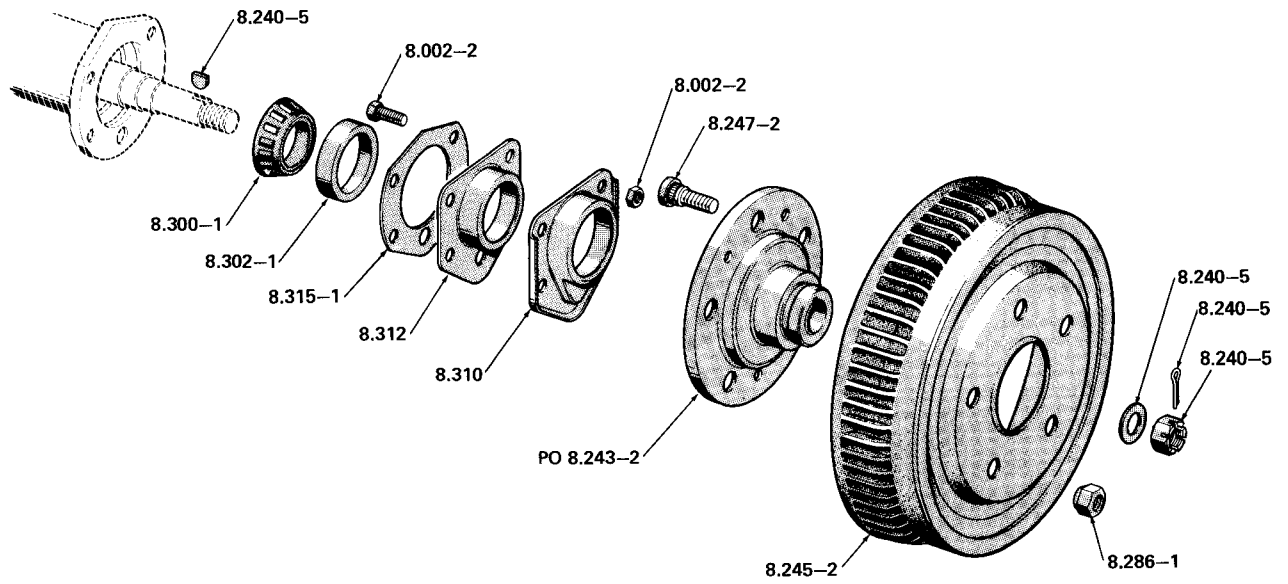
REAR DRUM AND BEARINGS (WITH FLANGED AXLE) . . . 10-25-45, 1974/1975 80

J-5849



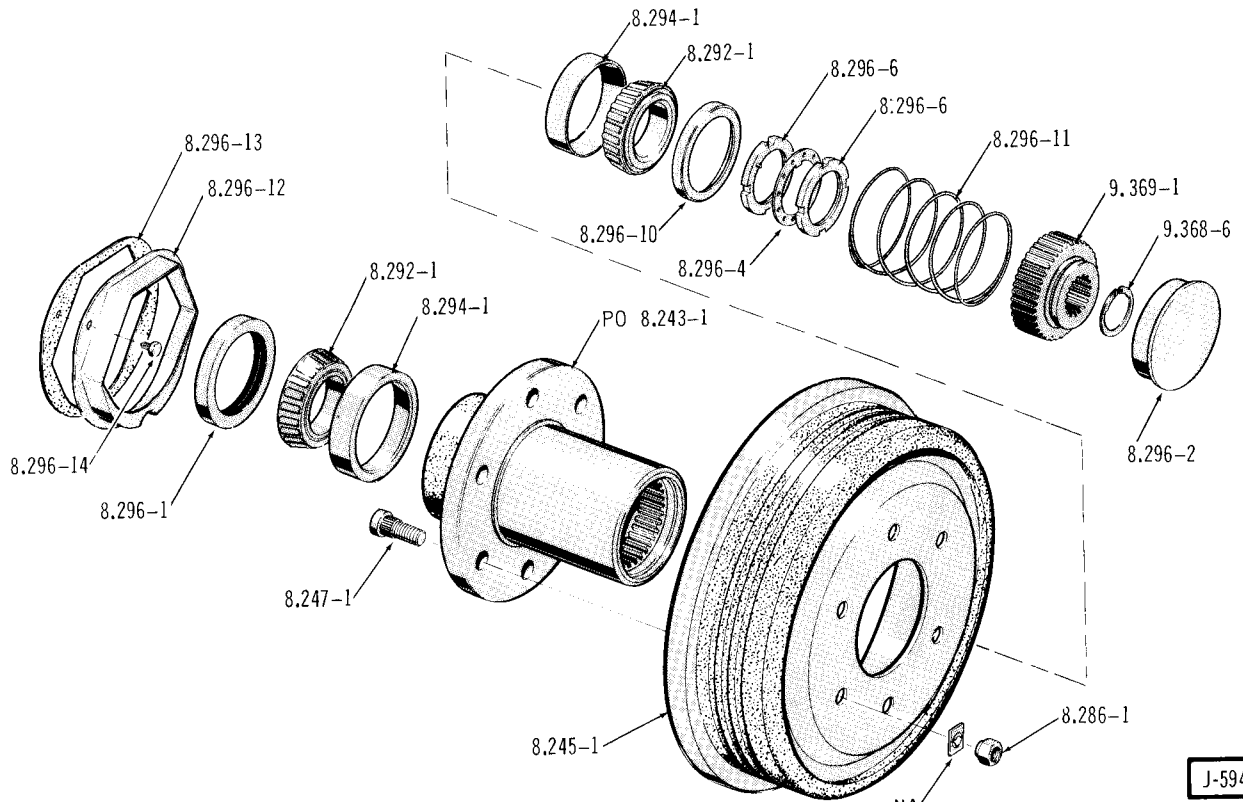
REAR HUB AND DRUM (WITH TAPERED AXLE) . . . 26-46

J-5854

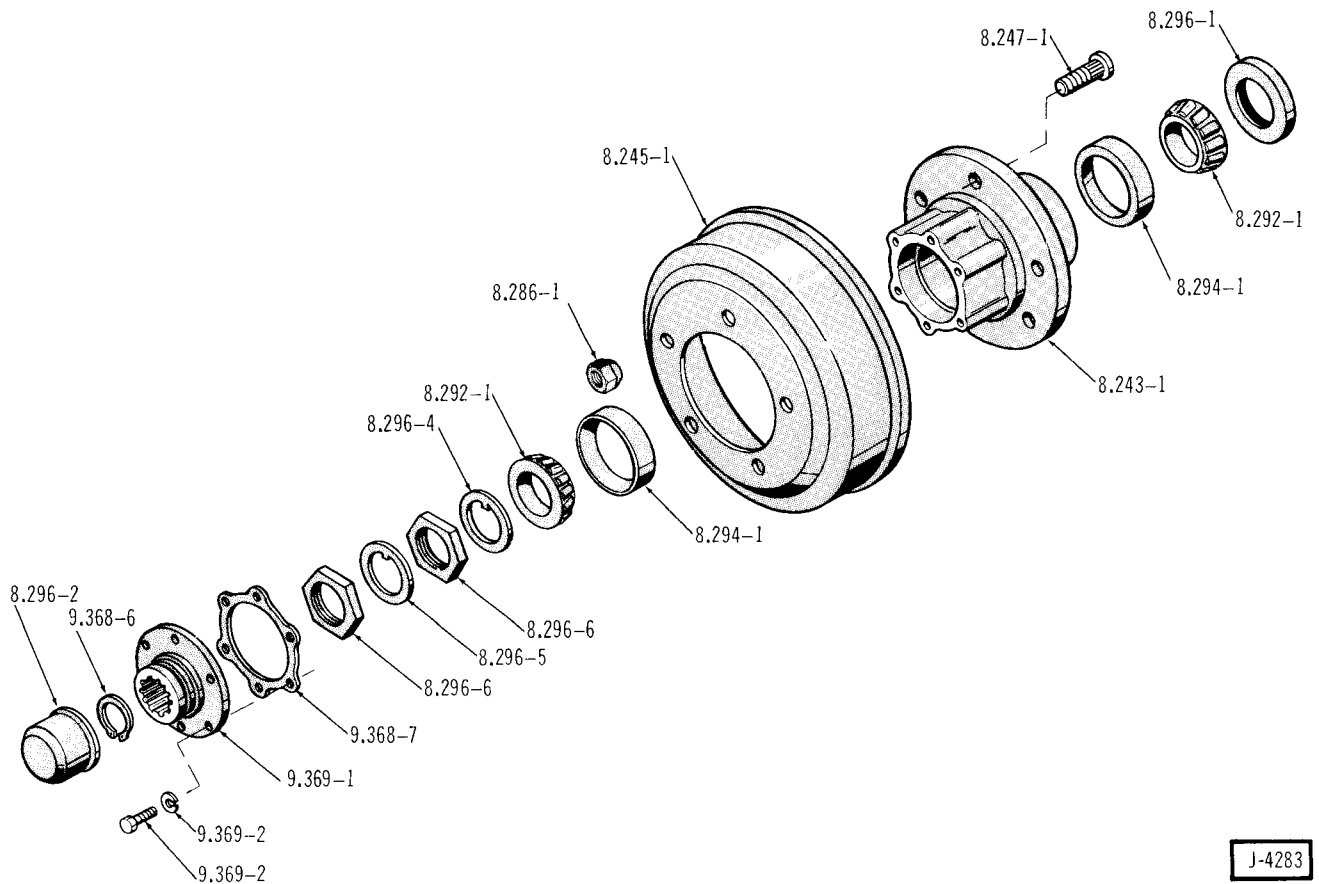


REAR DRUM AND BEARINGS (WITH TAPERED AXLE) . . . 1976 80-90

J-6085

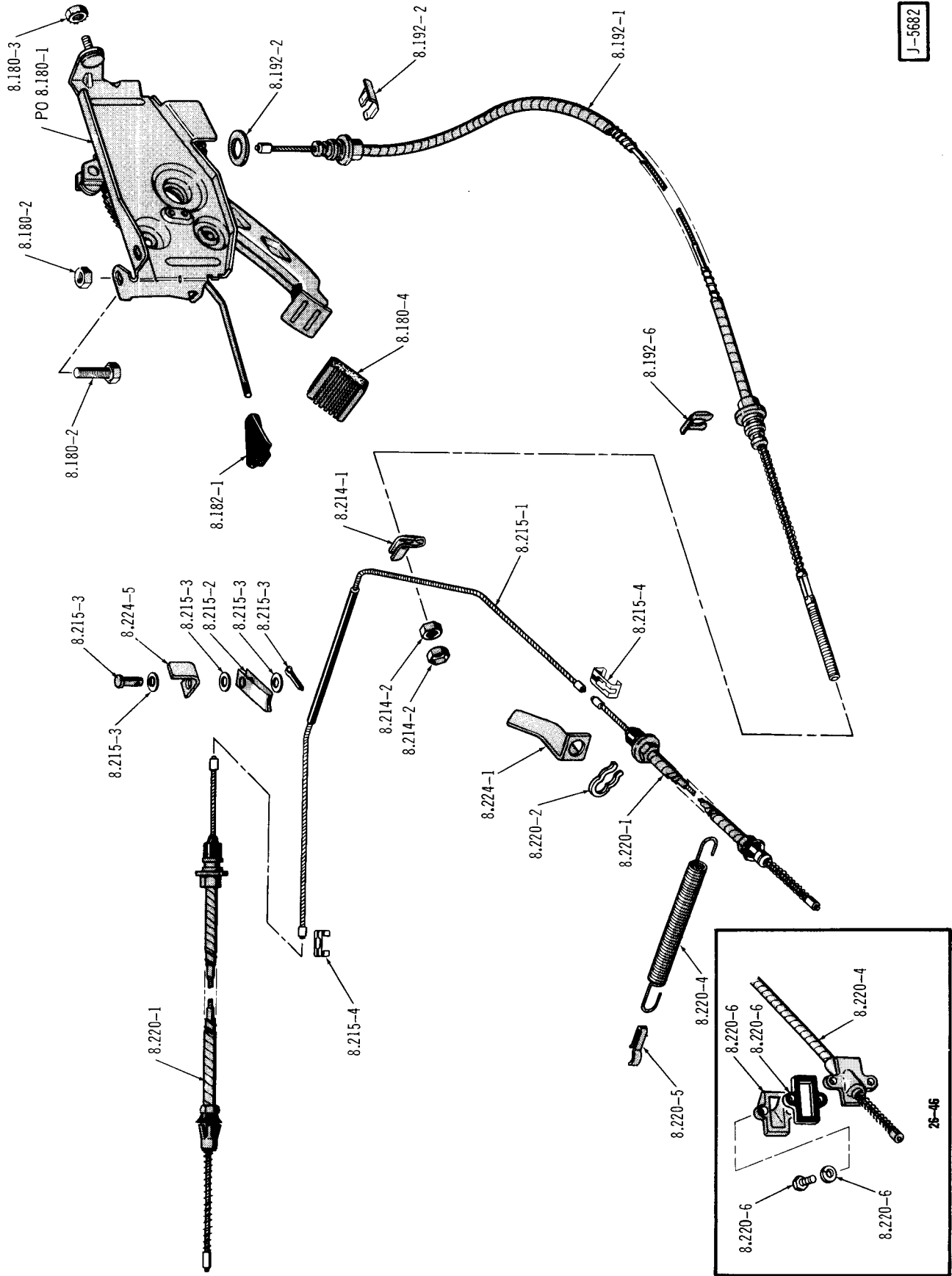


FRONT HUB AND DRUM . . . 10-20-40 (LDB)



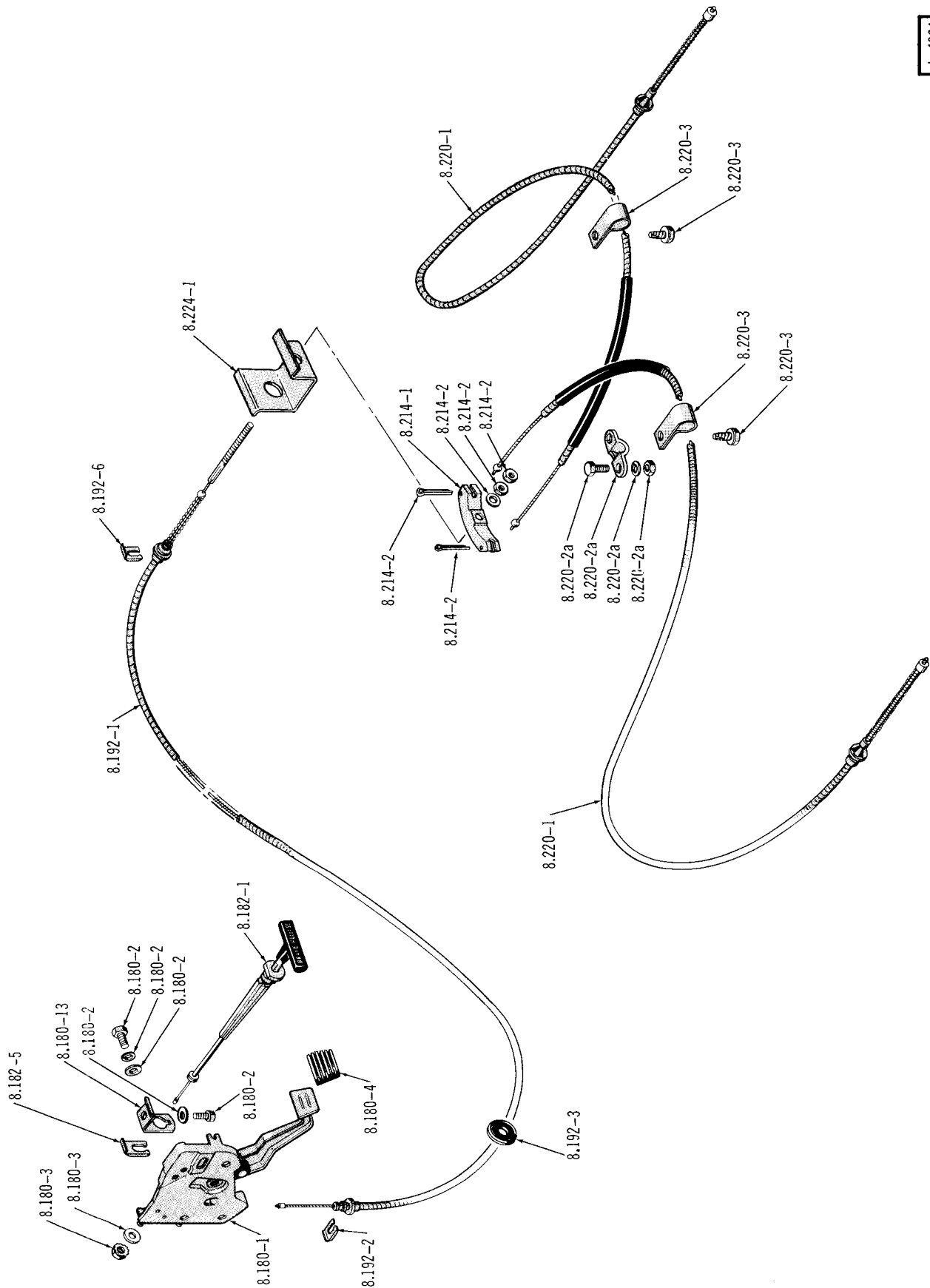
FRONT HUB AND DRUM . . . 80-90

J-5682

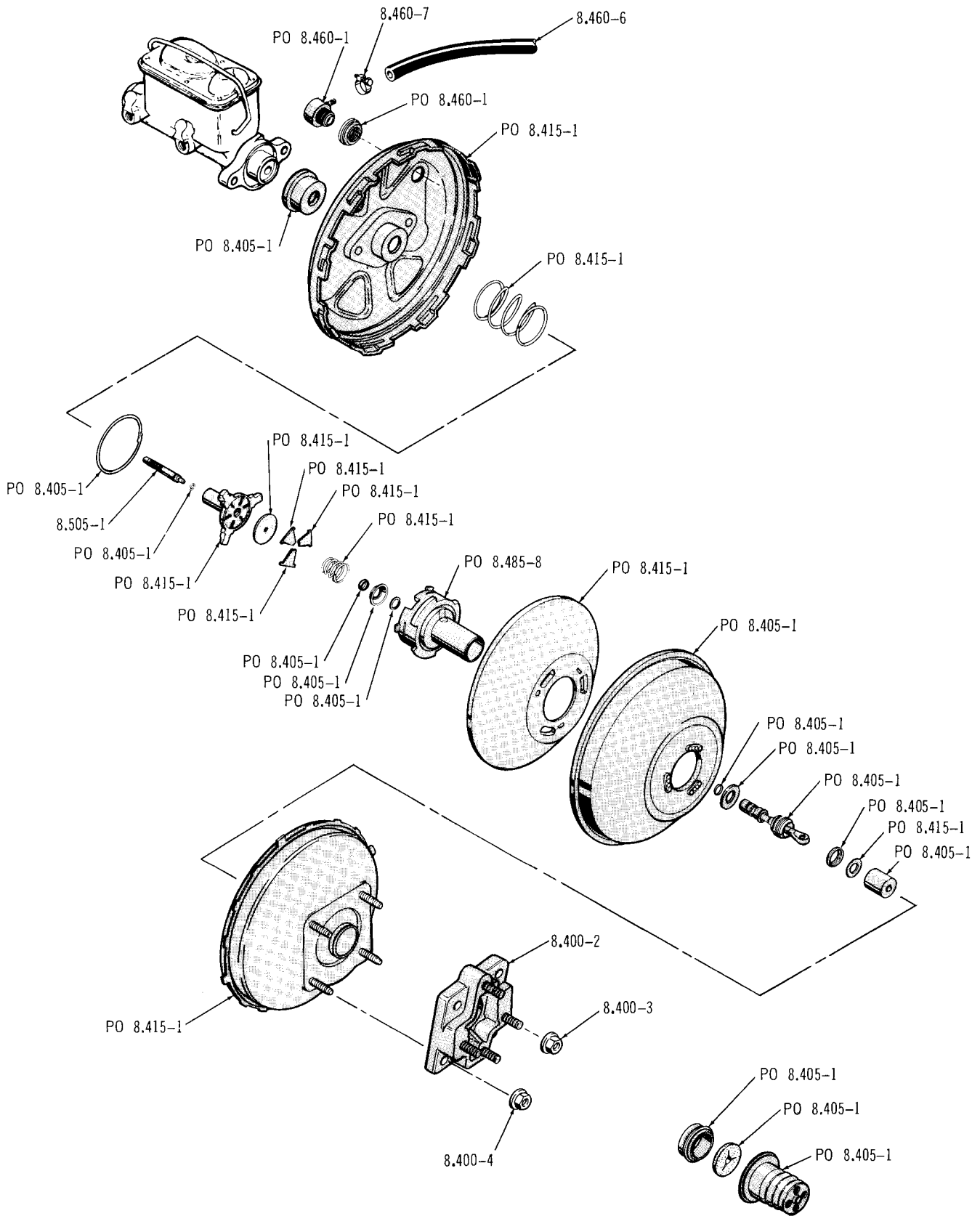


FOOT OPERATED PARKING BRAKE . . . 10-20-40

J-4964

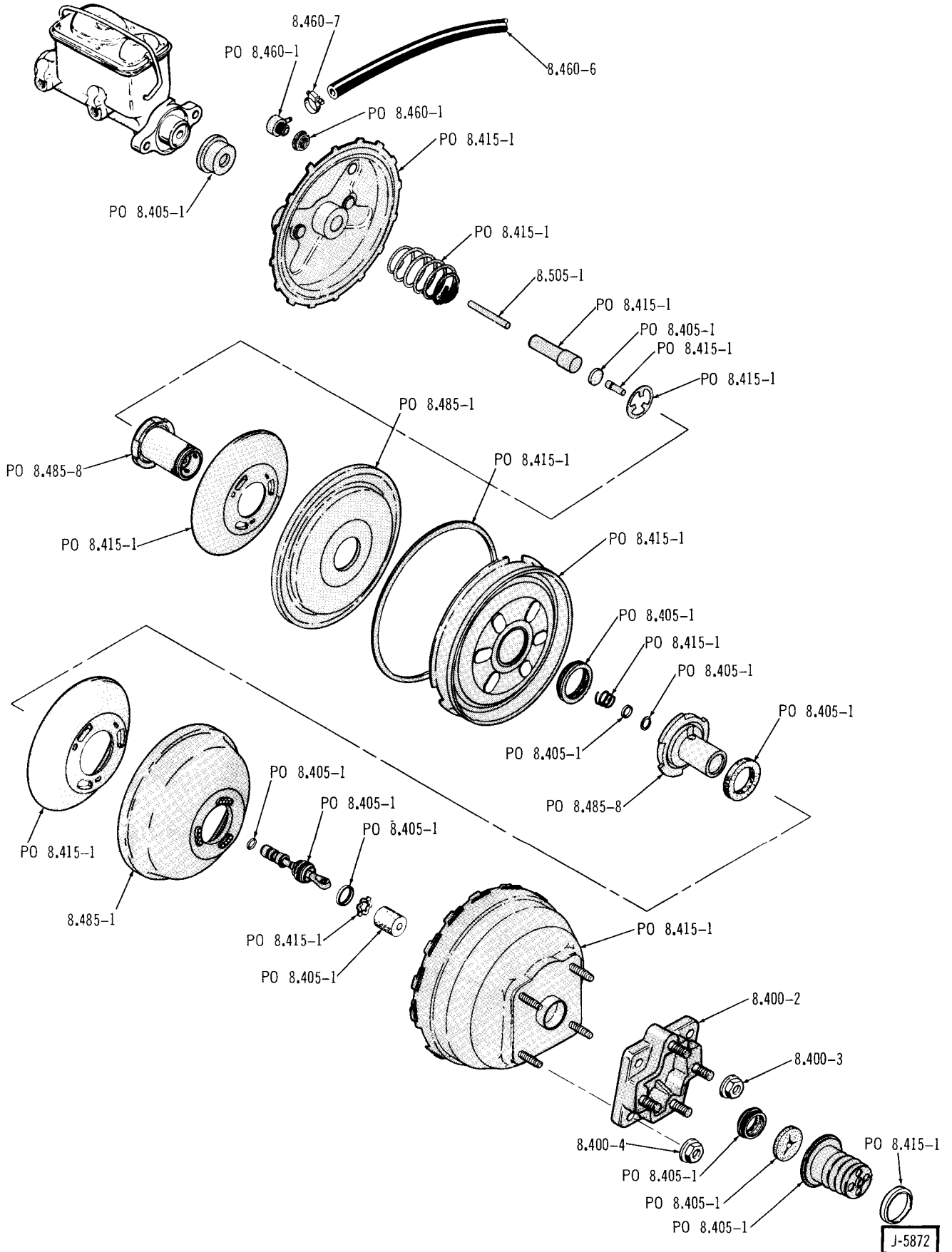


FOOT OPERATED PARKING BRAKE . . . 80-90

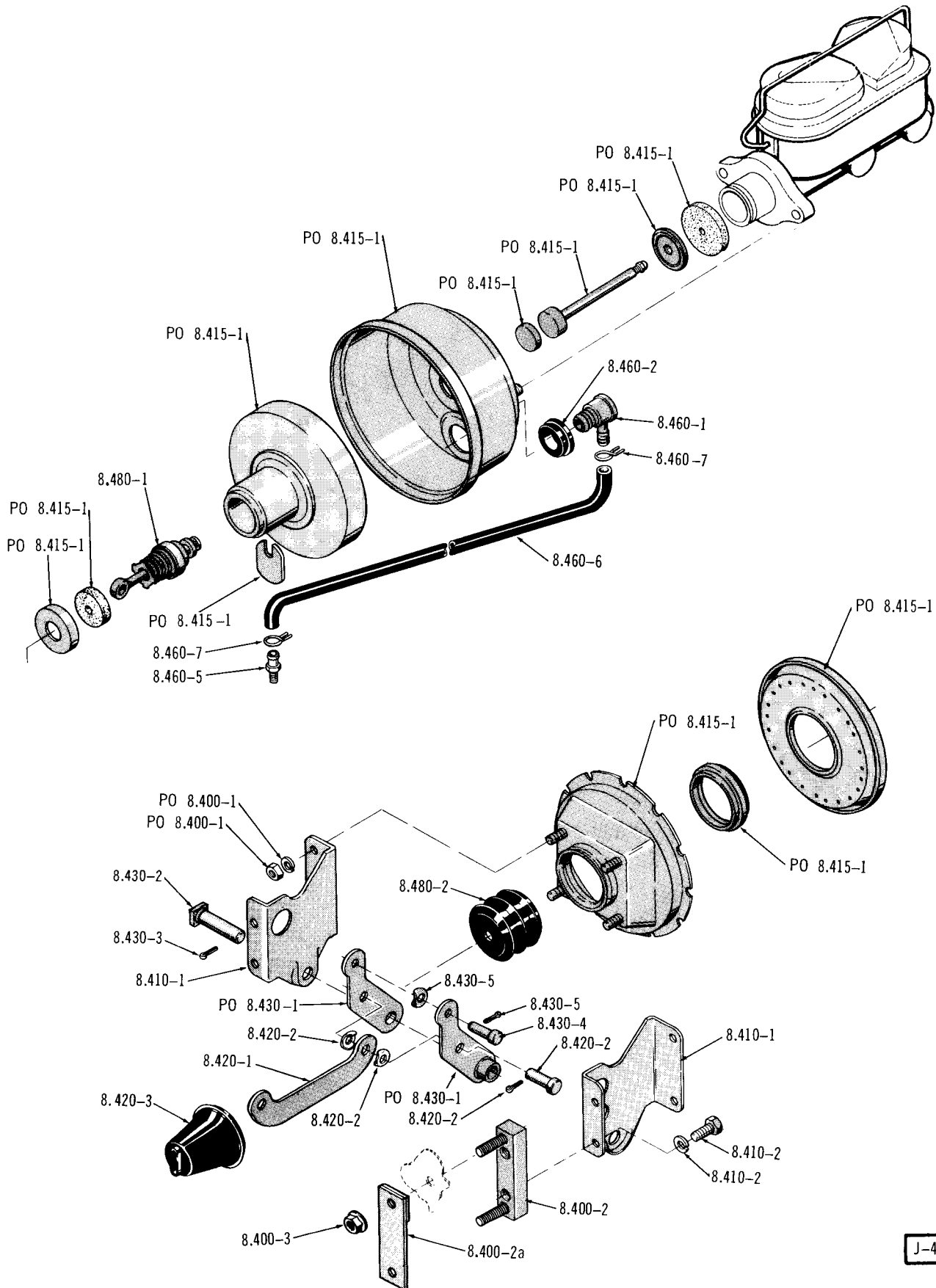


J-5871

POWER BRAKE POWER UNIT . . . 10-25-45



POWER BRAKE POWER UNIT . . . 26-46



POWER BRAKE POWER UNIT . . . 80 (V8)

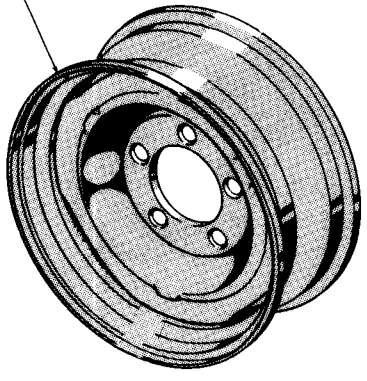
J-4816

GROUP 8

BRAKES - WHEELS

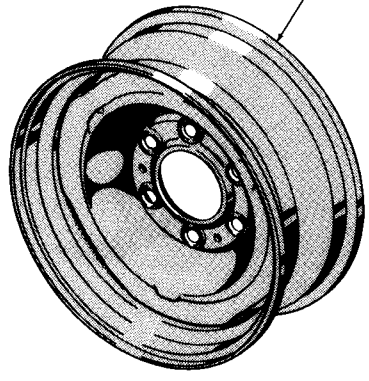
GROUP 8

(15 X 6) 535 3049 8.270-1
(16 X 4½) 640 800 8.270-1



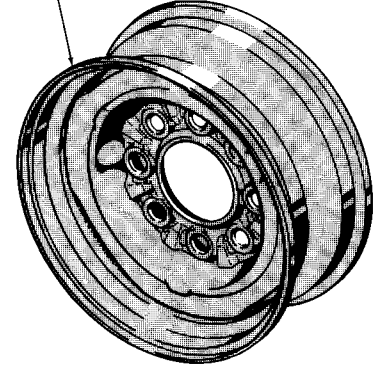
WHEEL (STEEL) ... 80-90 (5 BOLT)

(15 X 6) 535 2164 8.270-1



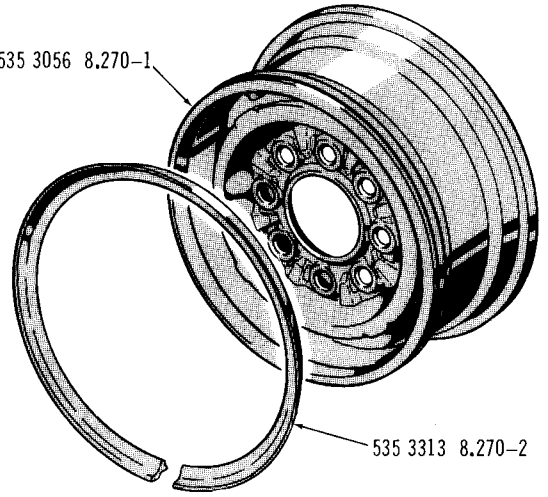
WHEEL (STEEL) ... 10-25-45 (6 BOLT)

(16 X 6½) 535 2776 8.270-1
(16½ X 6) 535 2272 8.270-1
(16½ X 6¾) 535 2639 8.270-1



WHEEL (STEEL) ... 26-46 (8 BOLT)

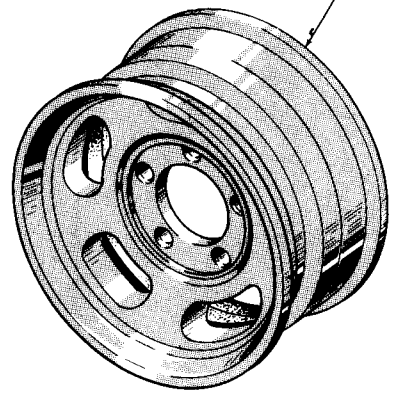
(16 X 6) 535 3056 8.270-1



WHEEL (STEEL) ... 26 (8 BOLT)

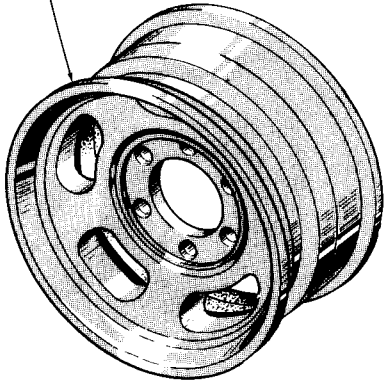
535 3313 8.270-2

(15 X 7) 535 2817 8.270-1



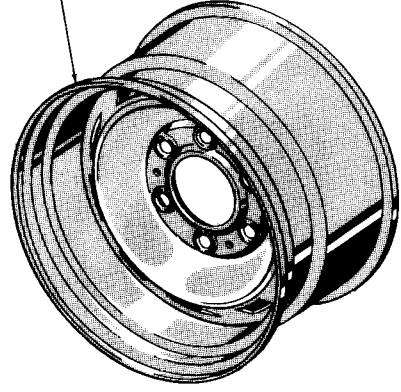
WHEEL (FORGED ALUMINUM) ... 80-90 (5 BOLT)

(15 X 7) 535 2733 8.270-1



WHEEL (FORGED ALUMINUM) ... 10-25-45 (6 BOLT)

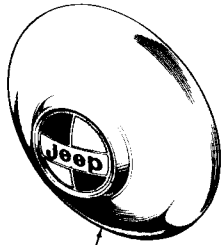
(15 X 8) 535 4774 8.270-1



WHEEL (CUSTOM STEEL) ...
1975/ 16-17, 1976 25 (6 BOLT)

ROAD WHEELS

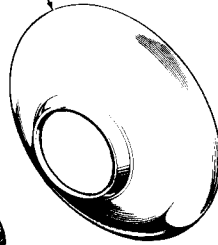
J-5983



535 2672 8.274-1

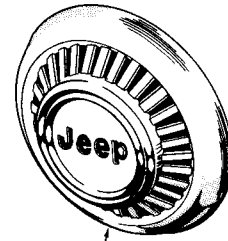
HUB CAP ... 10-25-45

535 2267 8.274-1



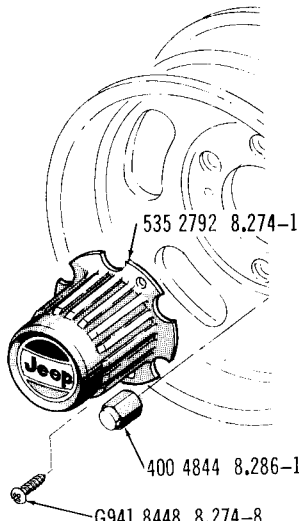
535 2268 8.296-2

GREASE AND HUB CAP ... 10-25-45



535 3826 8.274-1

HUB CAP ... 26-46

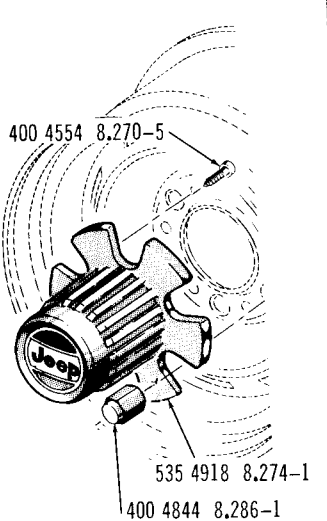


535 2792 8.274-1

400 4844 8.286-1

G941 8448 8.274-8

HUB CAP AND MAG WHEEL ... 10-25-45

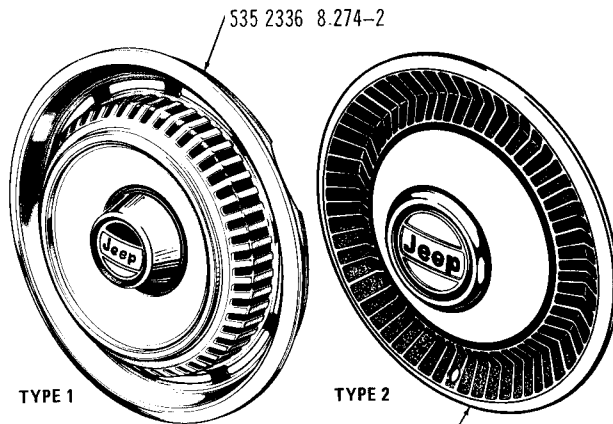


400 4554 8.270-5

535 4918 8.274-1

400 4844 8.286-1

HUB CAP AND CUSTOM STEEL WHEEL ... 16-17-25



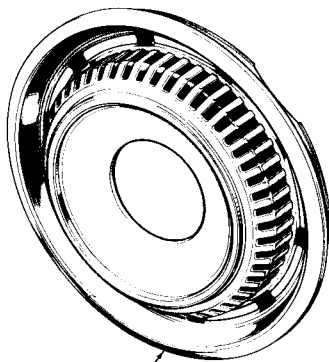
535 2336 8.274-2

TYPE 1

TYPE 2

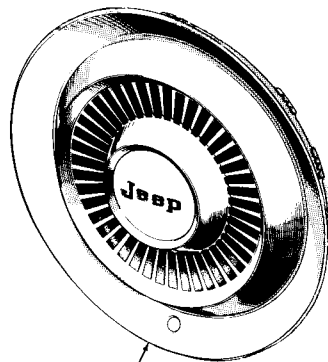
535 4752 8.272-4

COVER (LESS LOCKING HUB) ... 10-25-45-80-90



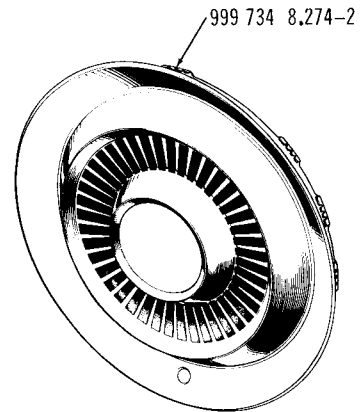
948 632 8.274-2

COVER (WITH LOCKING HUB) ... 10-25-45-80-90



999 733 8.274-2

COVER (LESS LOCKING HUB) ... 80-90



999 734 8.274-2

COVER (WITH LOCKING HUB) ... 80-90

J-5831

WHEEL CAPS AND COVERS