

FUEL - EXHAUST - EMISSION

GROUP 4

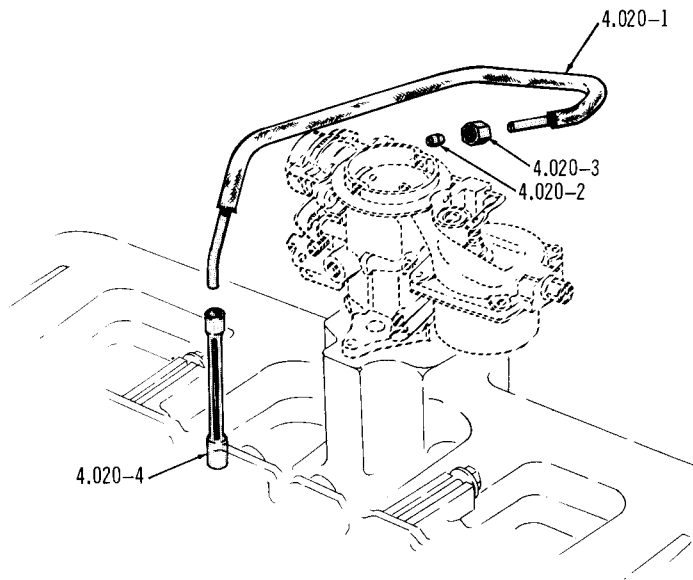
ILLUSTRATION SUPPLEMENT - SPECIAL INFORMATION

CARBURETOR COMPONENTS Refer to Charts in Text Section of Parts Catalog.

FUEL - EXHAUST - EMISSION

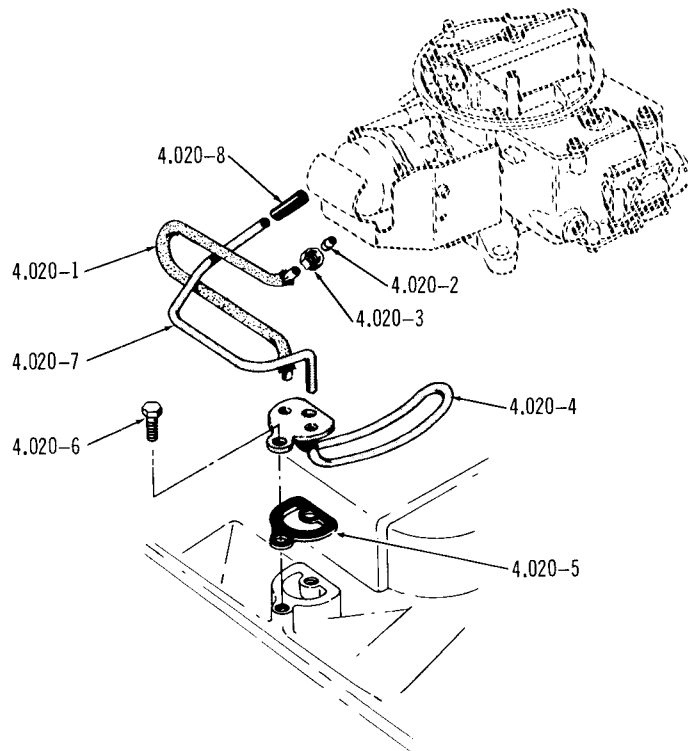
GROUP 4

ILLUSTRATION SUPPLEMENT - SPECIAL INFORMATION



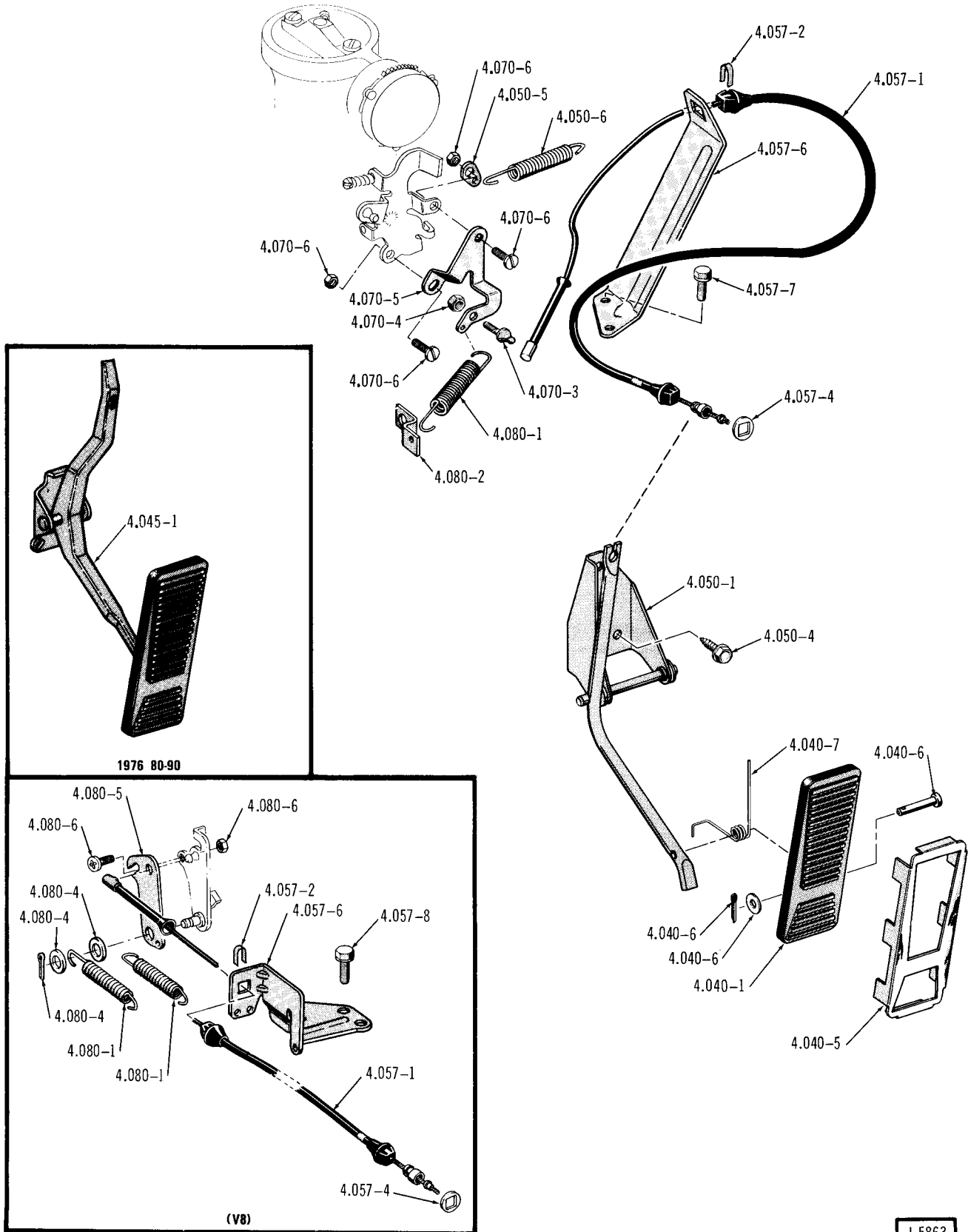
J-4369

CARBURETOR CHOKE HEATER TUBES ... SIX



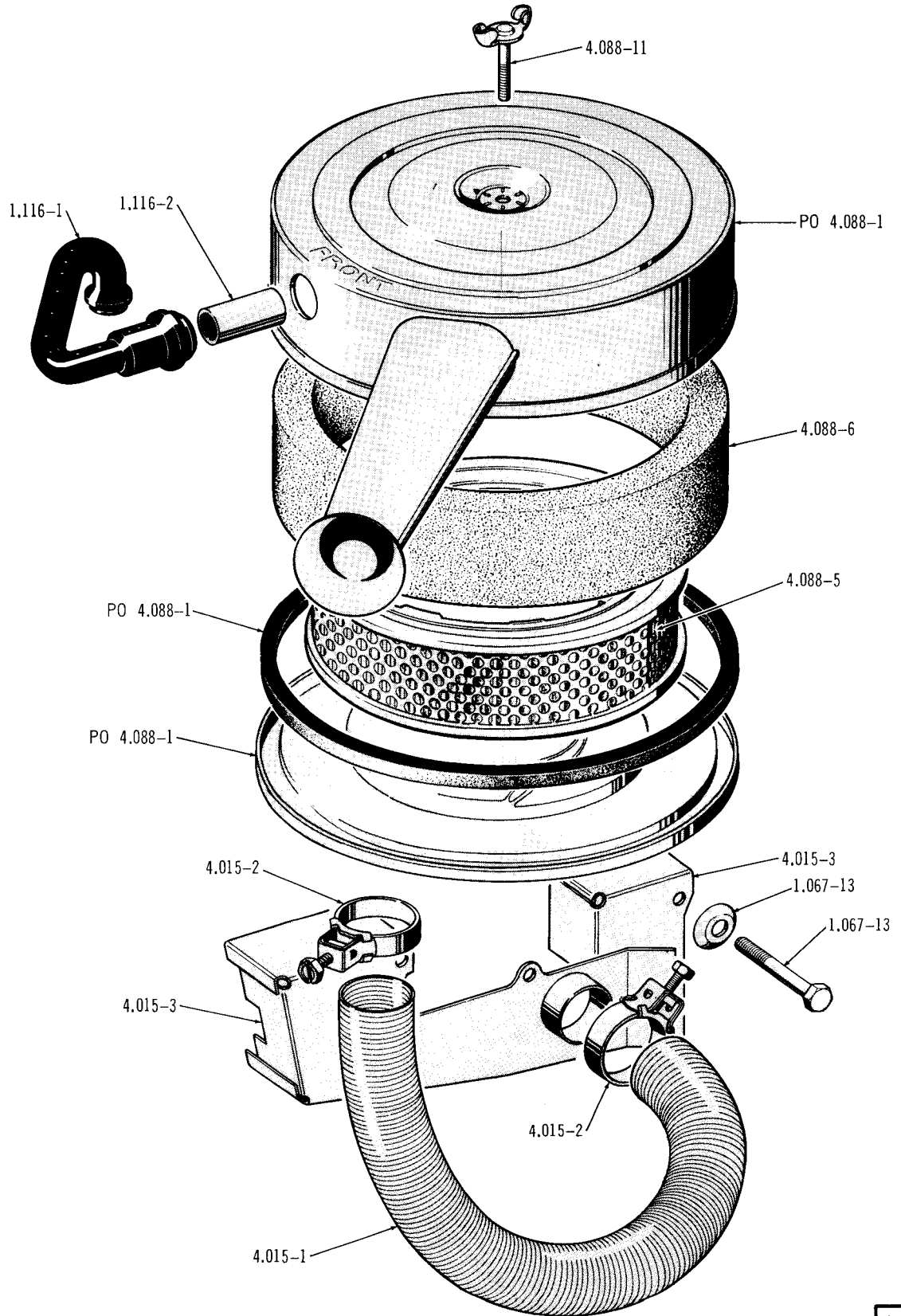
J-4370

CARBURETOR CHOKE HEATER TUBES ... V8



J-5863

ACCELERATOR LINKAGE



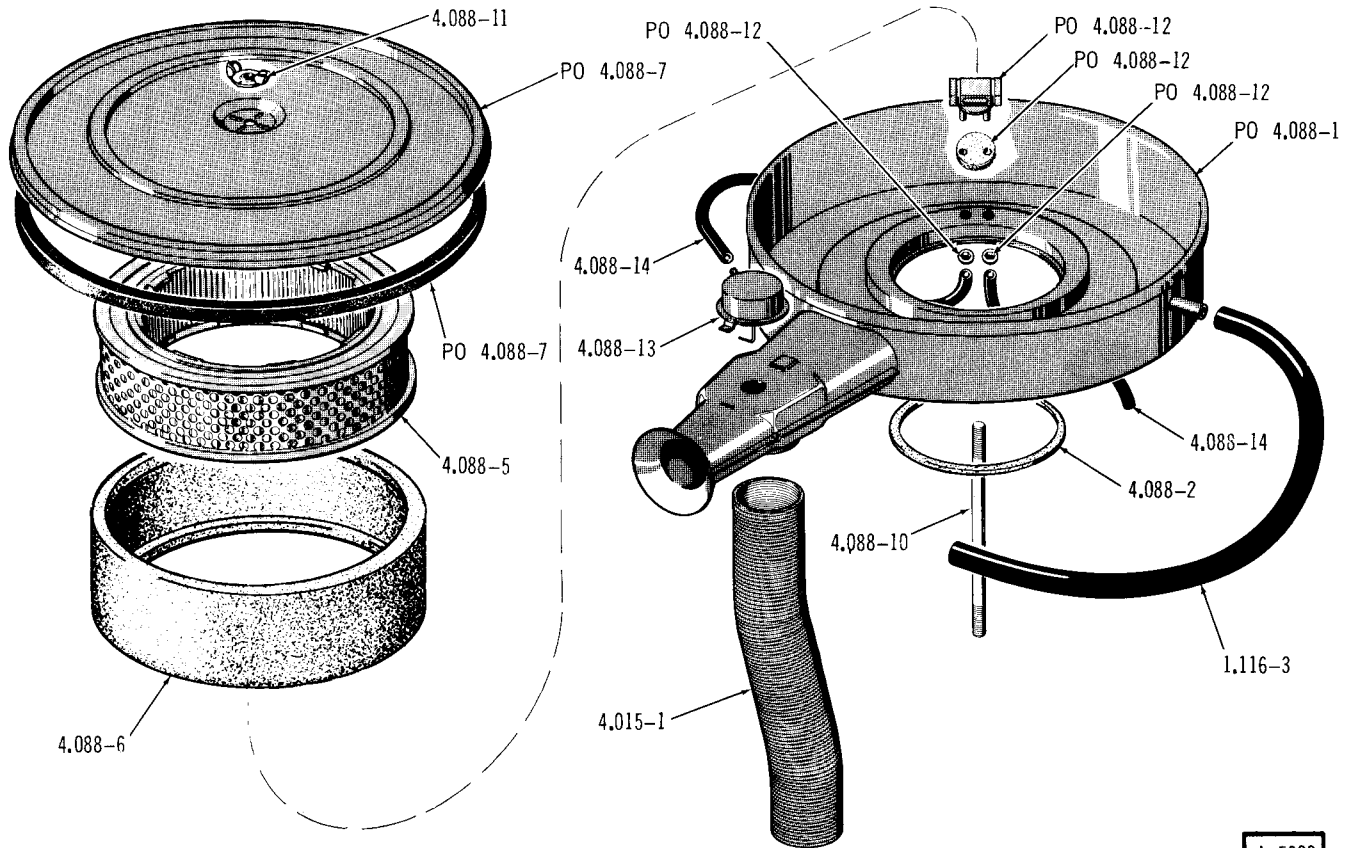
J-5738

CARBURETOR AIR CLEANER . . . SIX

GROUP 4

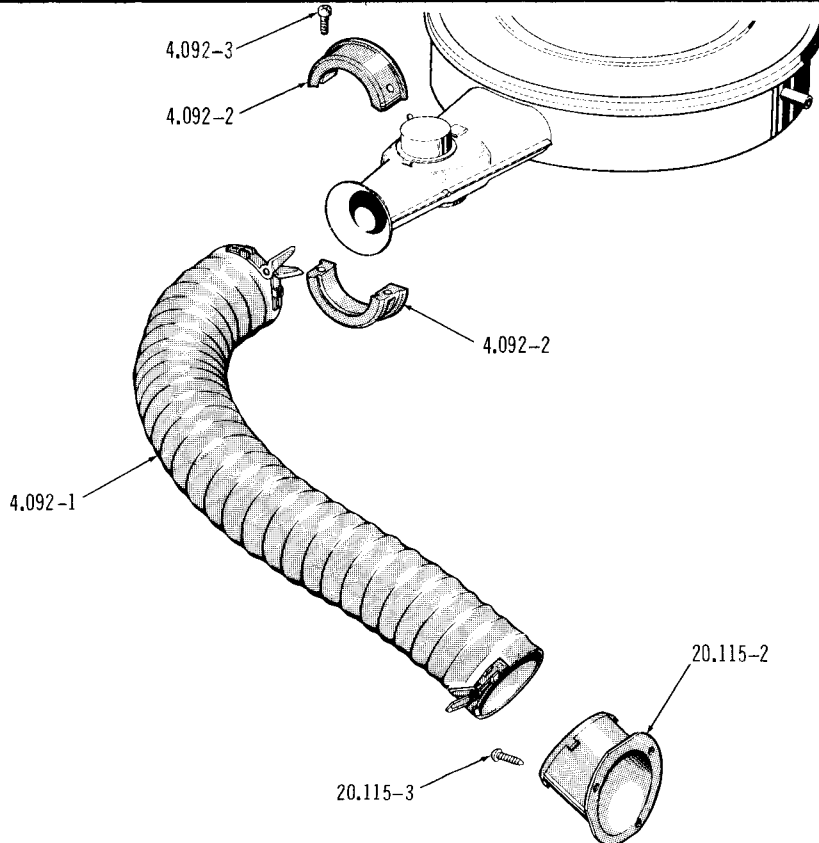
FUEL - EXHAUST

GROUP 4



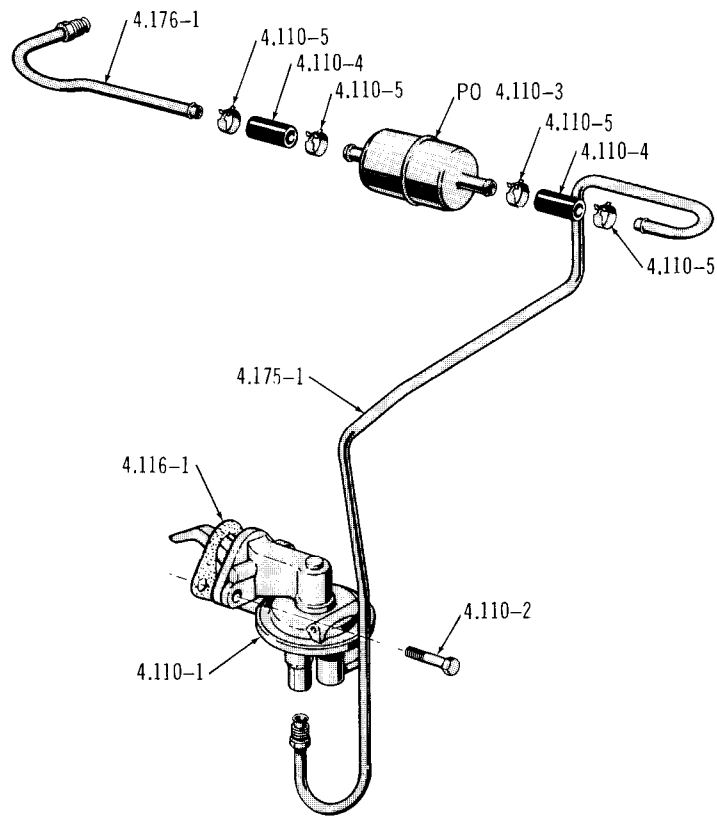
CARBURETOR AIR CLEANER . . . V8

J-5600



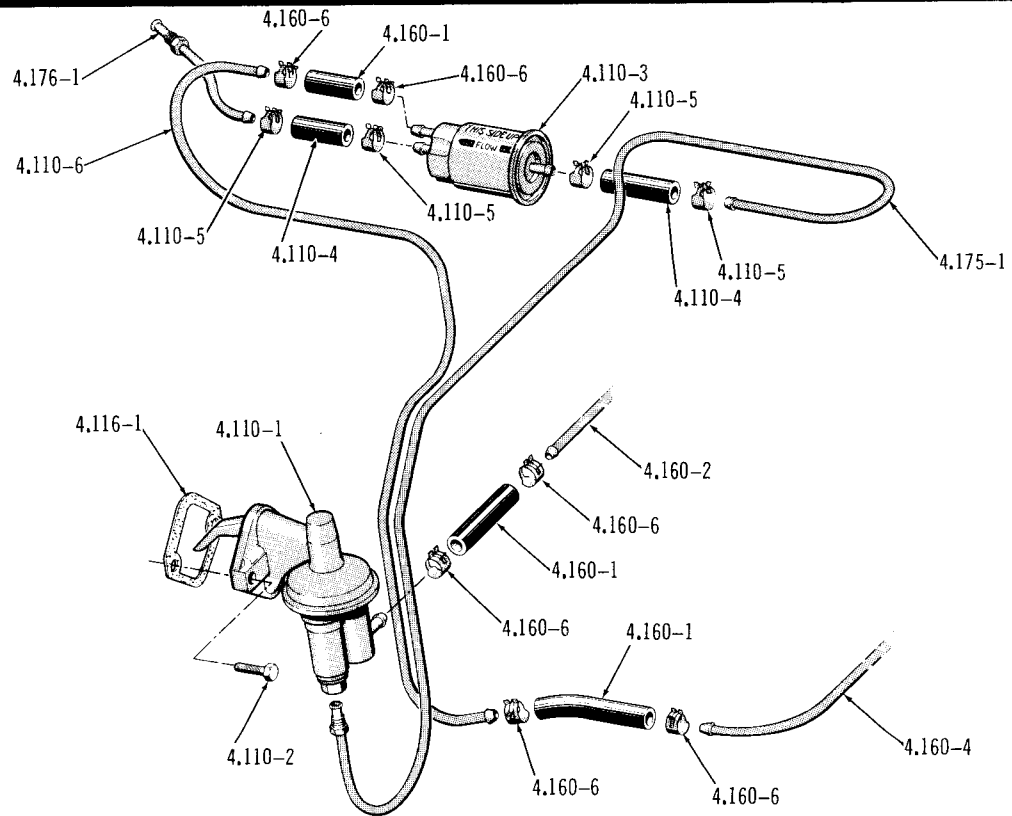
COLD AIR INDUCTION . . . 1975/ 10-20-40 (V8)

J-5974



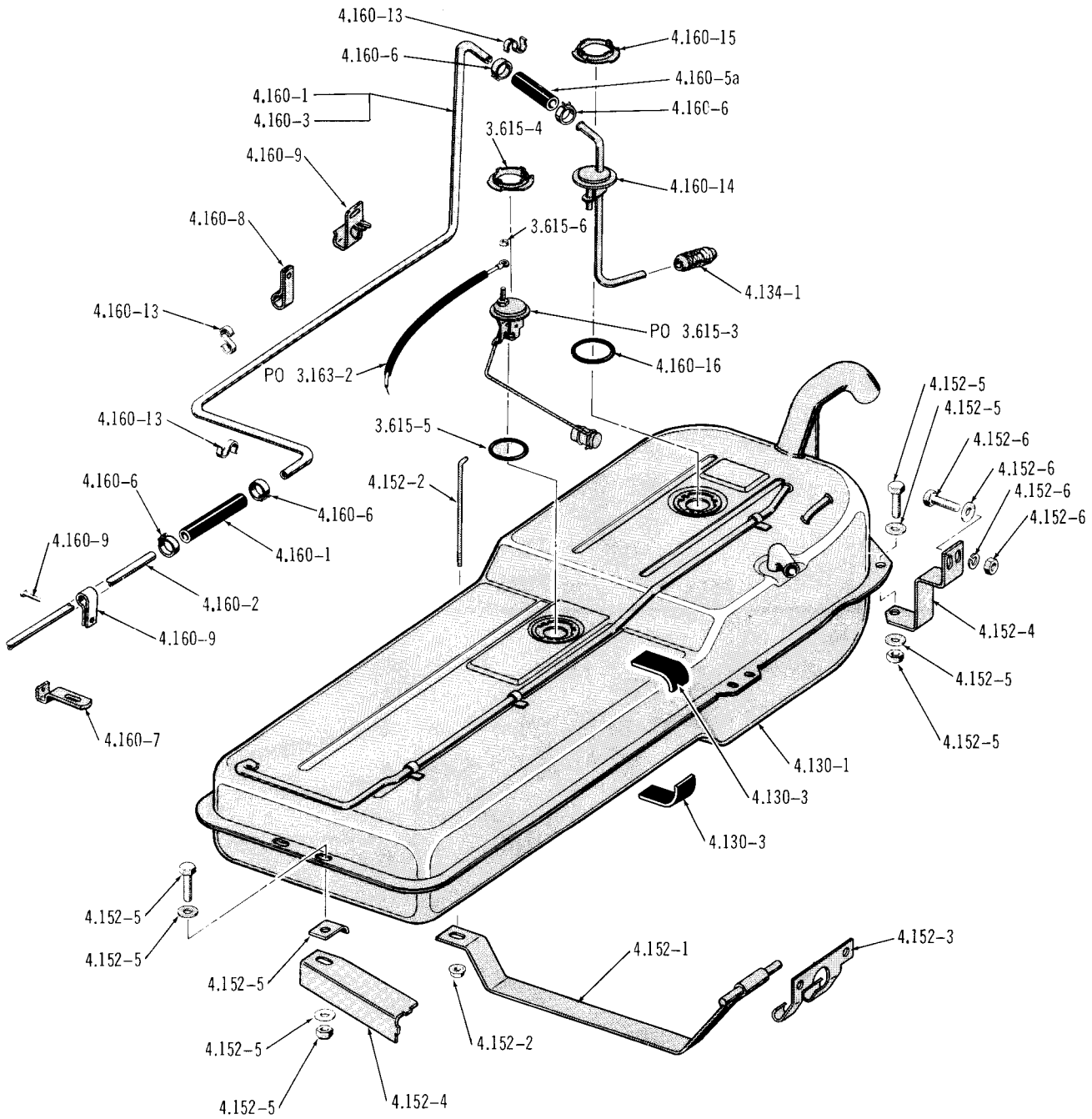
J-5668

FUEL PUMP AND FUEL FILTER



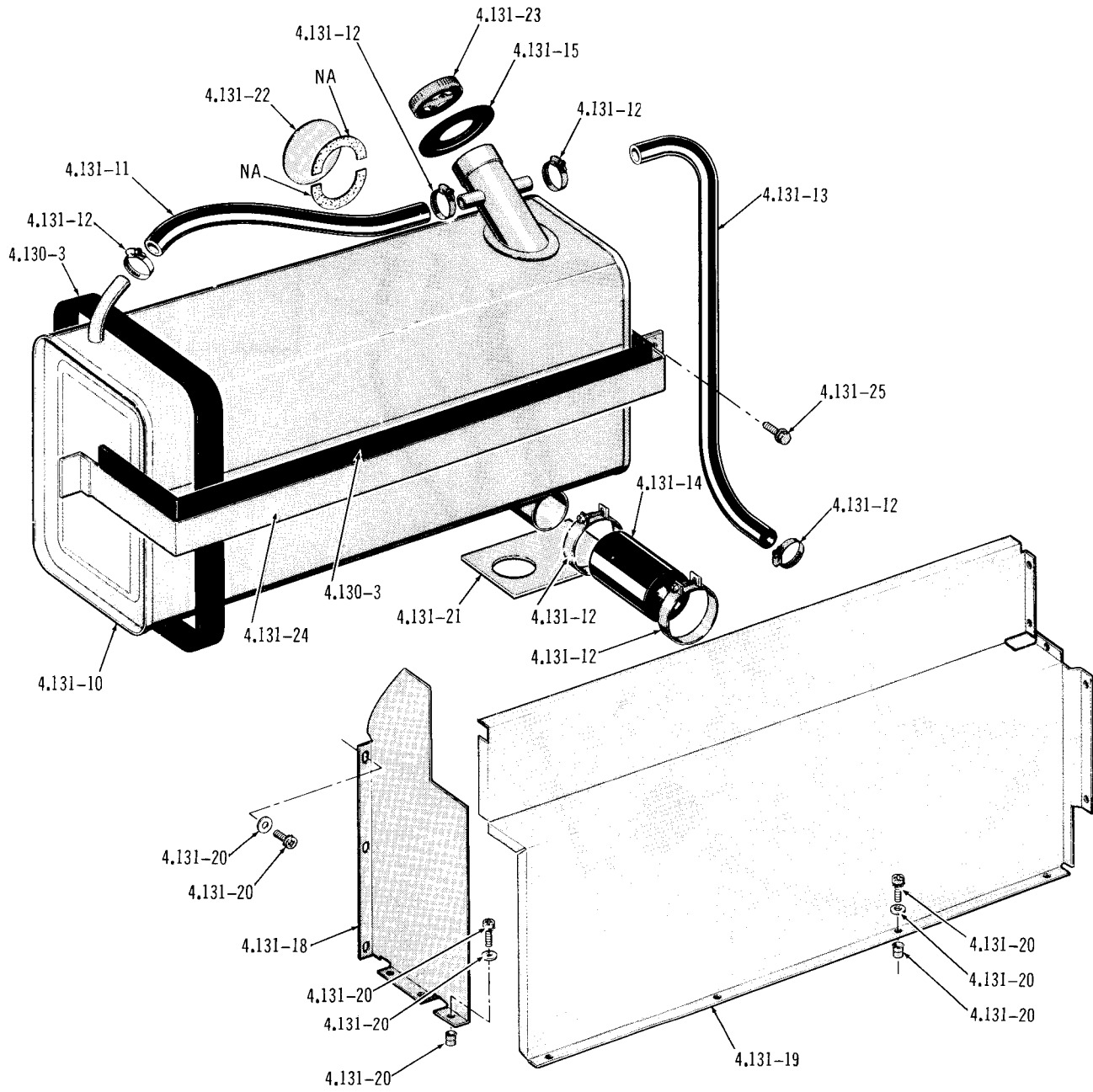
J-5981

FUEL PUMP AND FILTER (WITH FUEL RETURN LINE)



J-5808

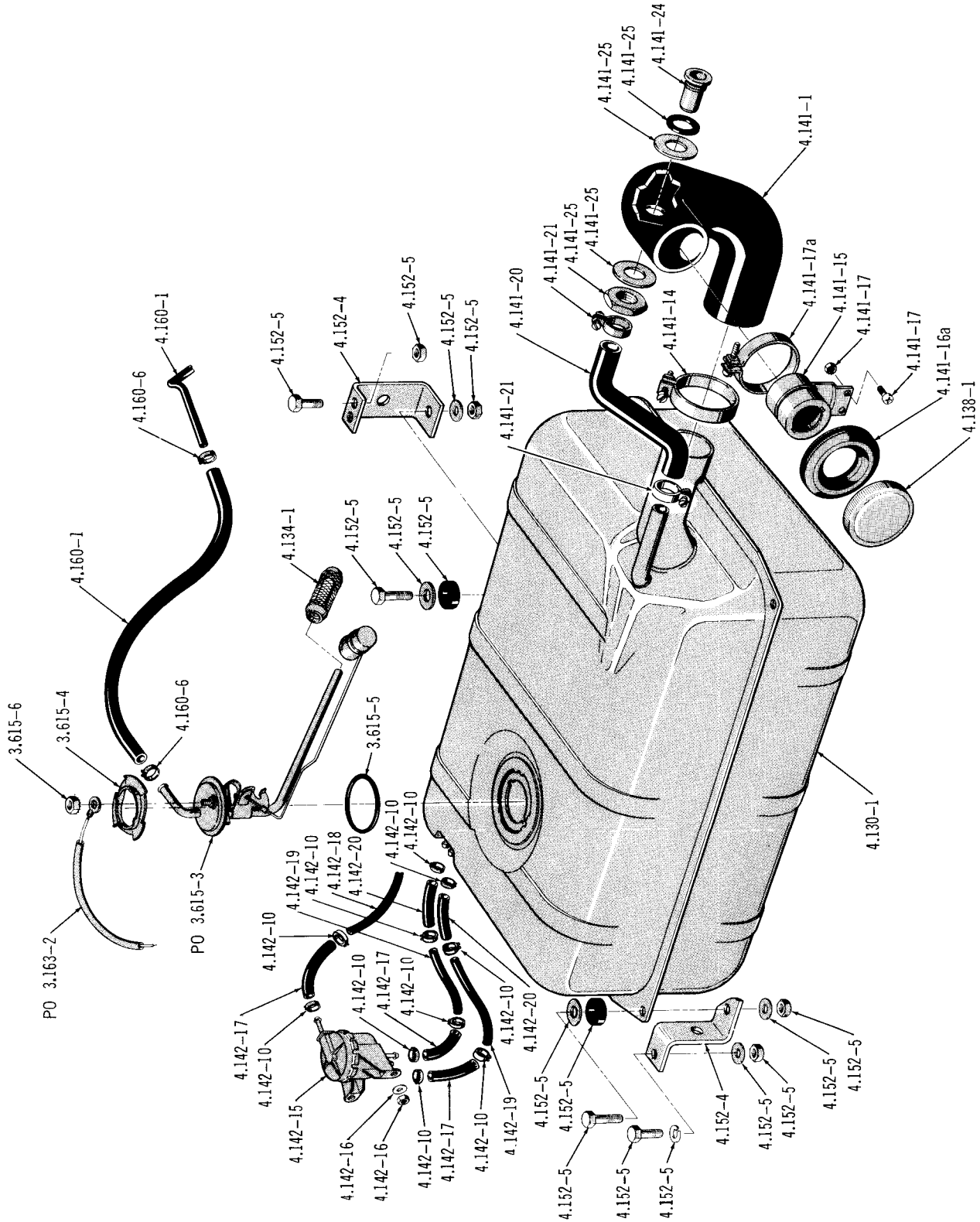
FUEL TANK AND LINES (Part 1 of 2) . . . 10



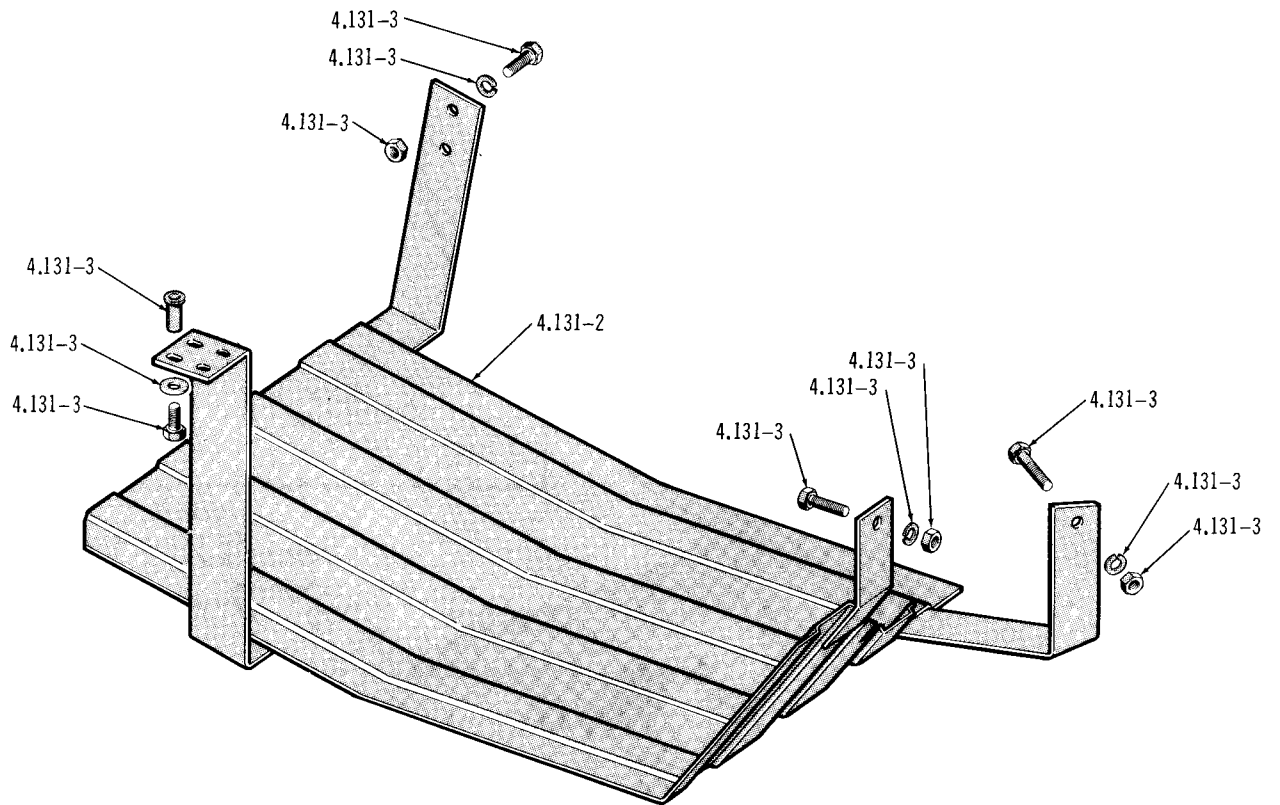
J-5993

AUXILIARY FUEL TANK... 46

J-4998

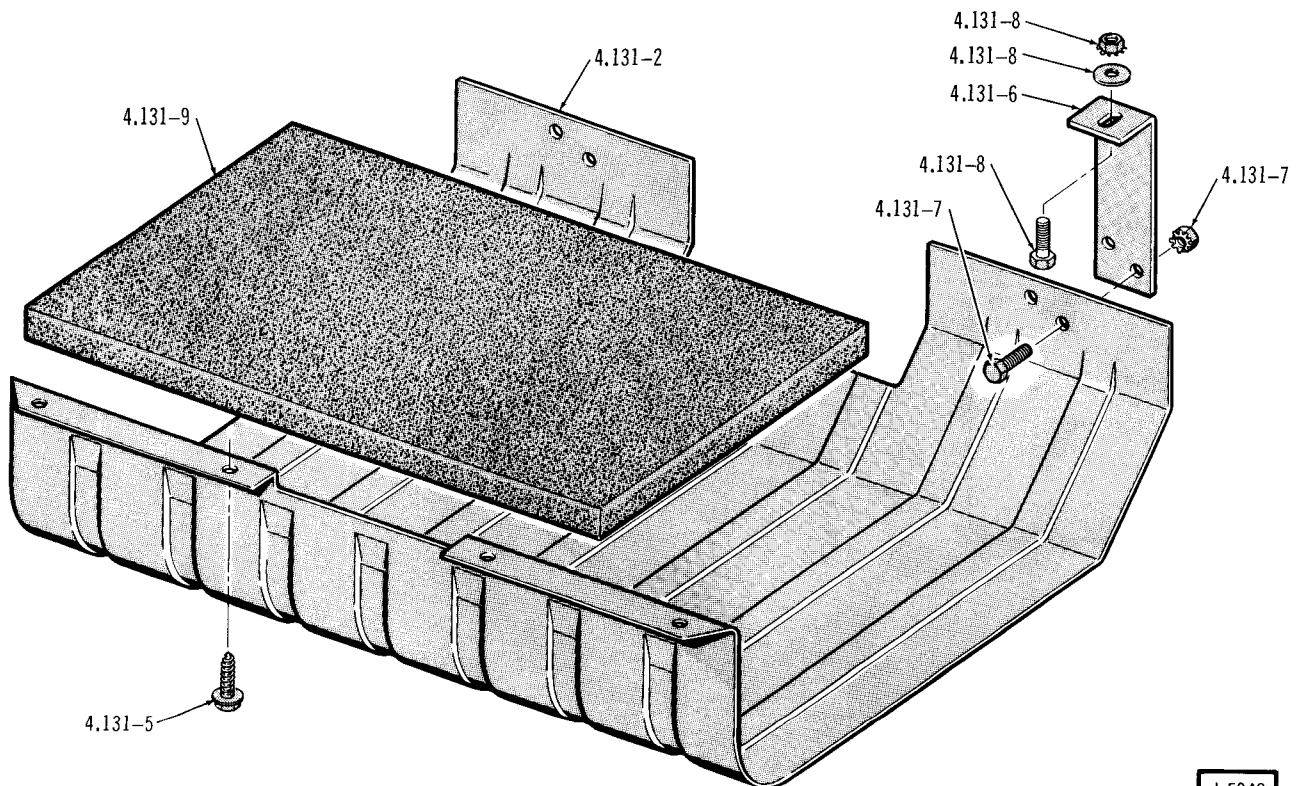


FUEL TANK AND LINES . . . 80-90



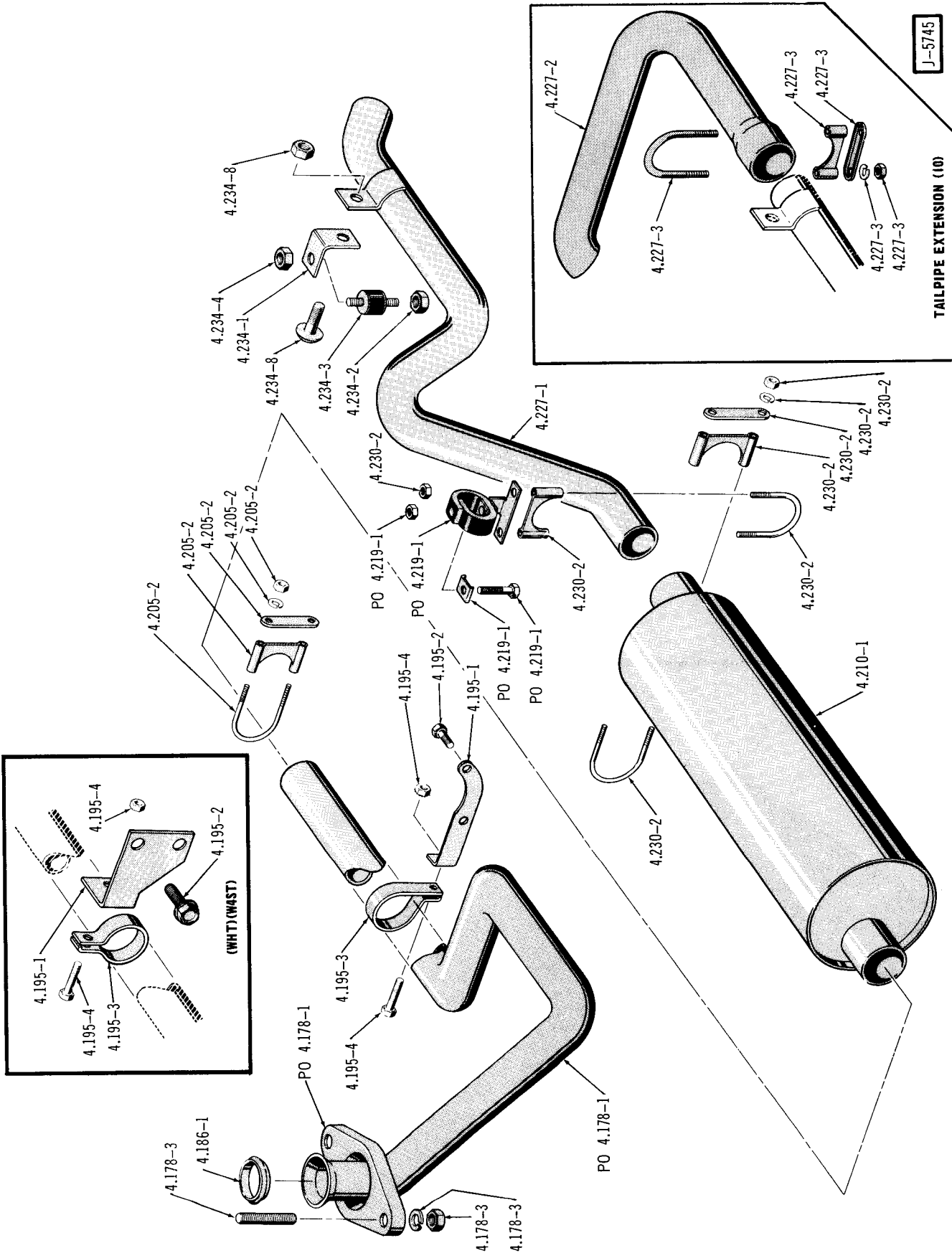
FUEL TANK SKID PLATE . . . 20-40

J-5941



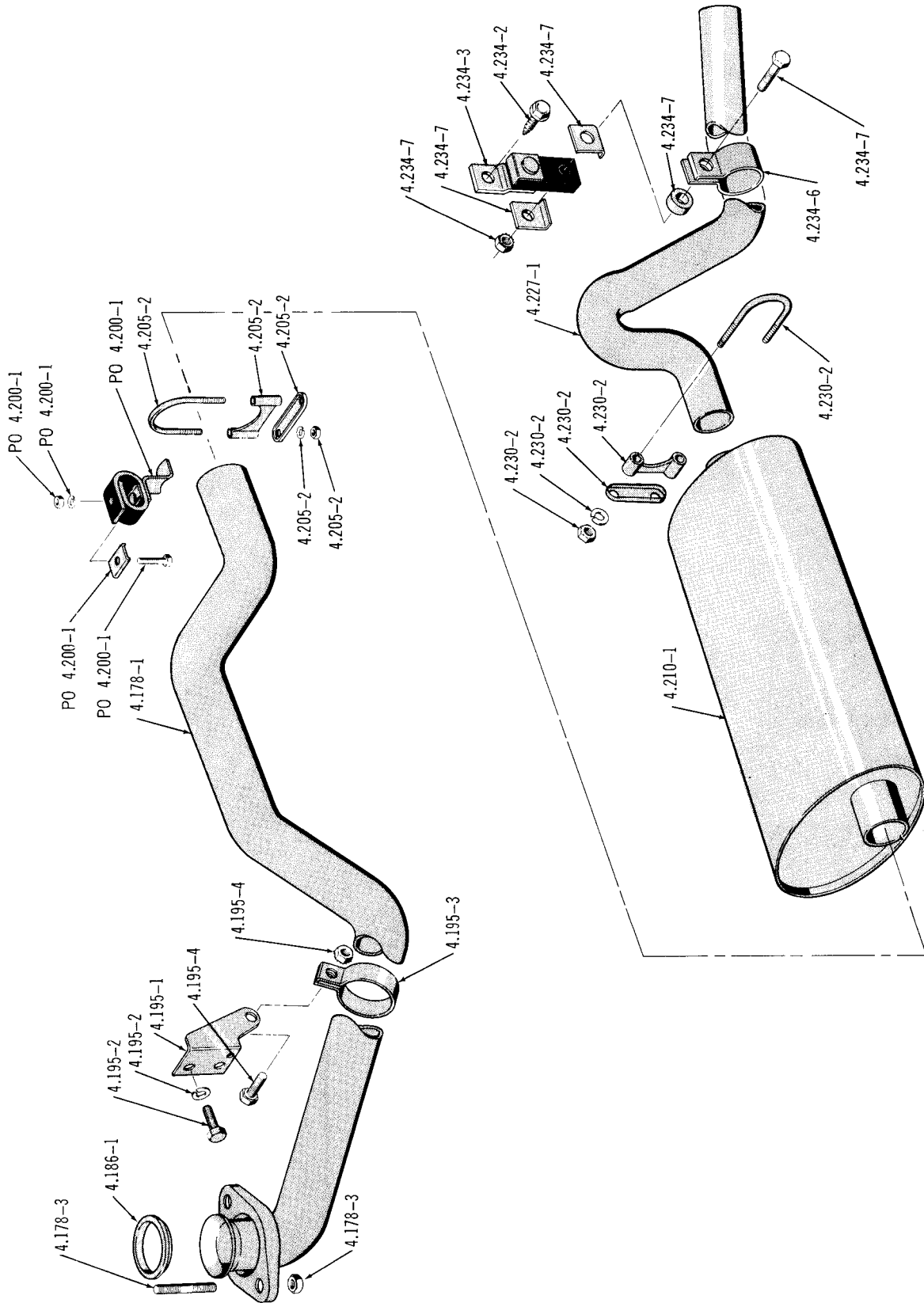
FUEL TANK SKID PLATE . . . 80-90

J-5942



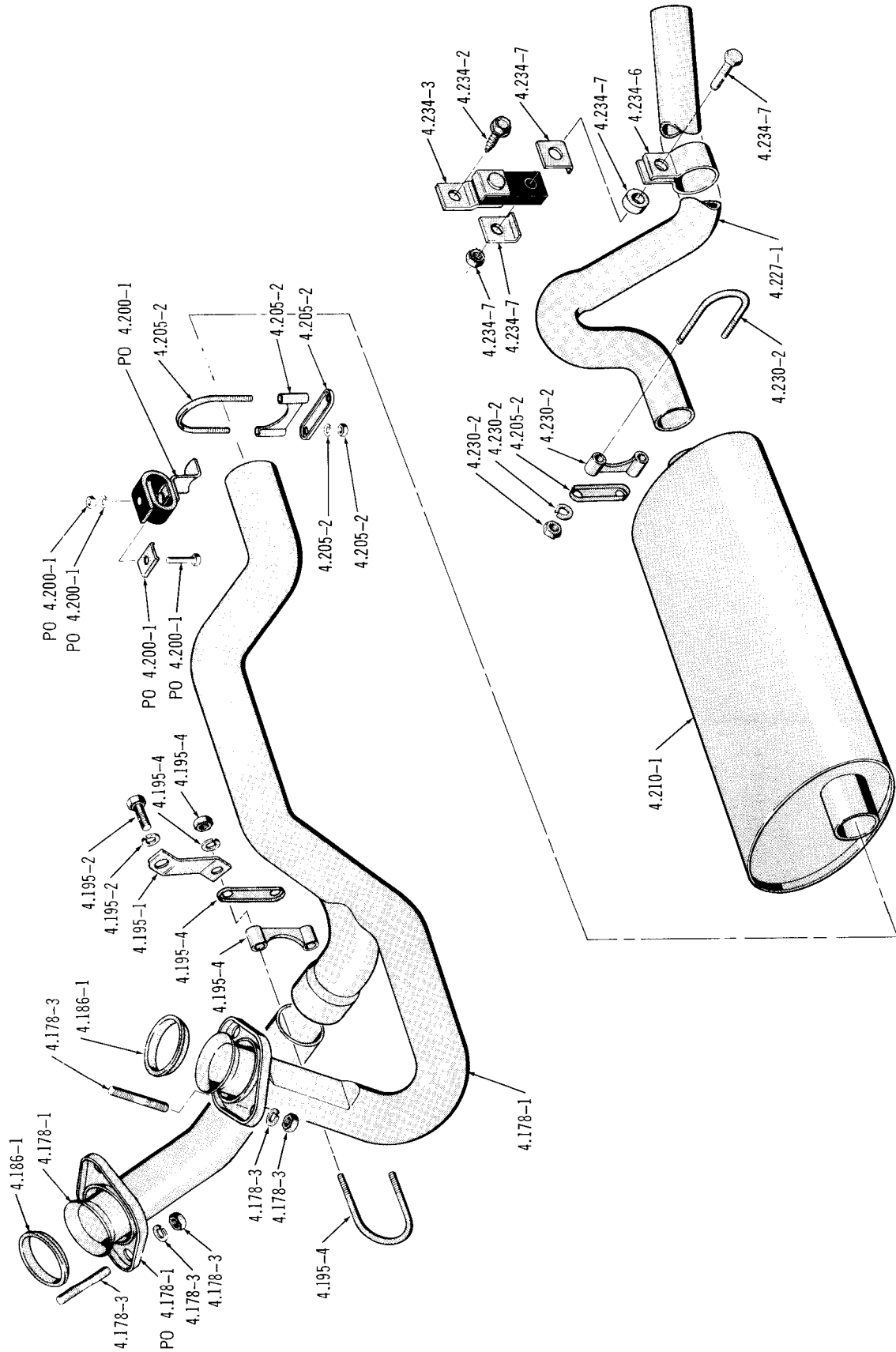
EXHAUST SYSTEM . . . 10-20-40 (258)

J-4957



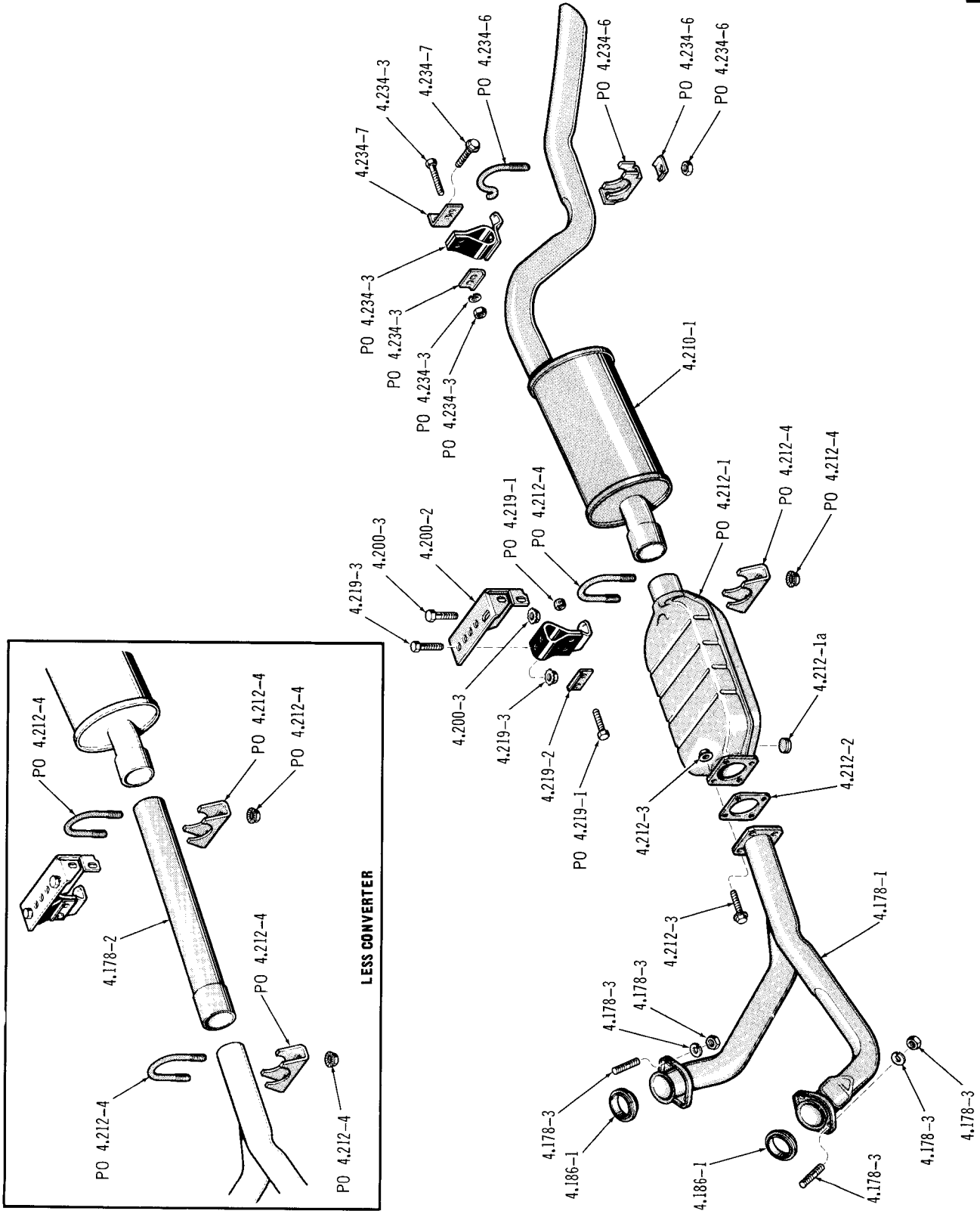
EXHAUST SYSTEM . . . 80-90 (SIX)

J-4958

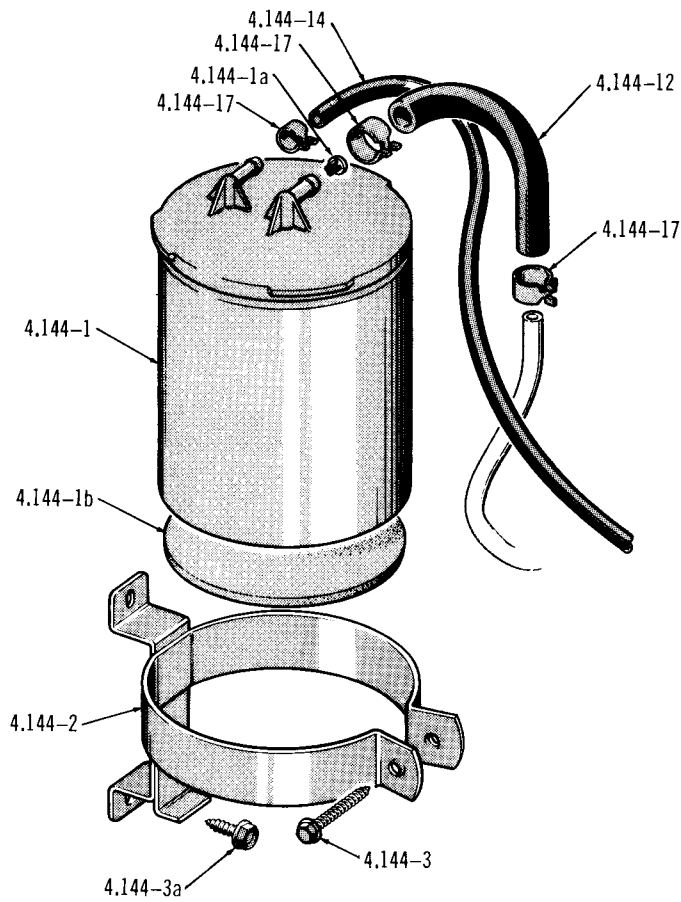


EXHAUST SYSTEM...1974 80 (V8)

J-5968

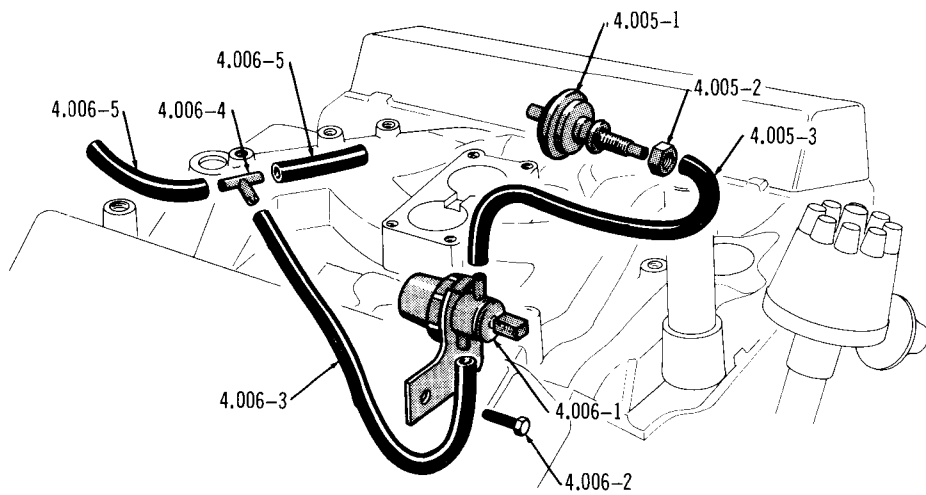


EXHAUST SYSTEM . . . 1975/ 83 (V8)



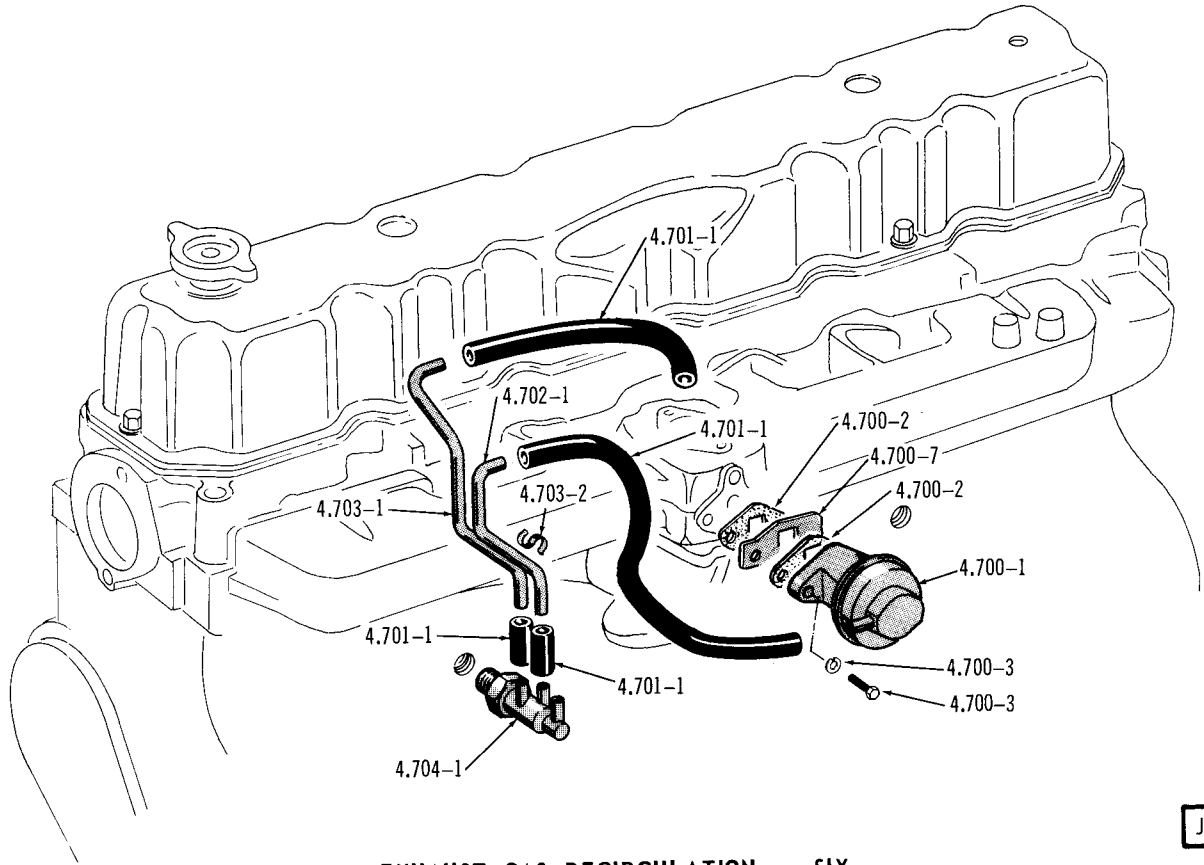
J-5904

FUEL VAPOR STORAGE CANISTER



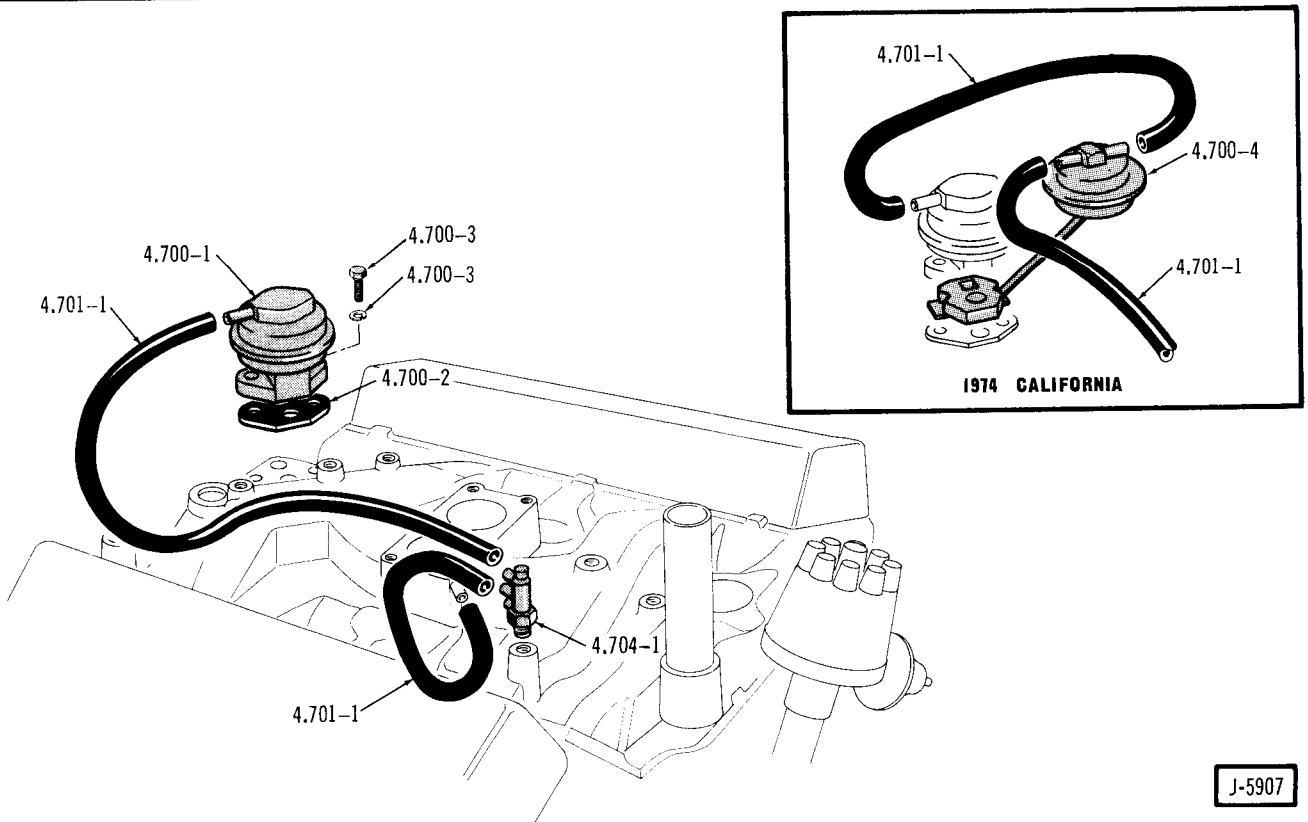
J-5905

DECAL VALVE AND THROTTLE MODULATOR



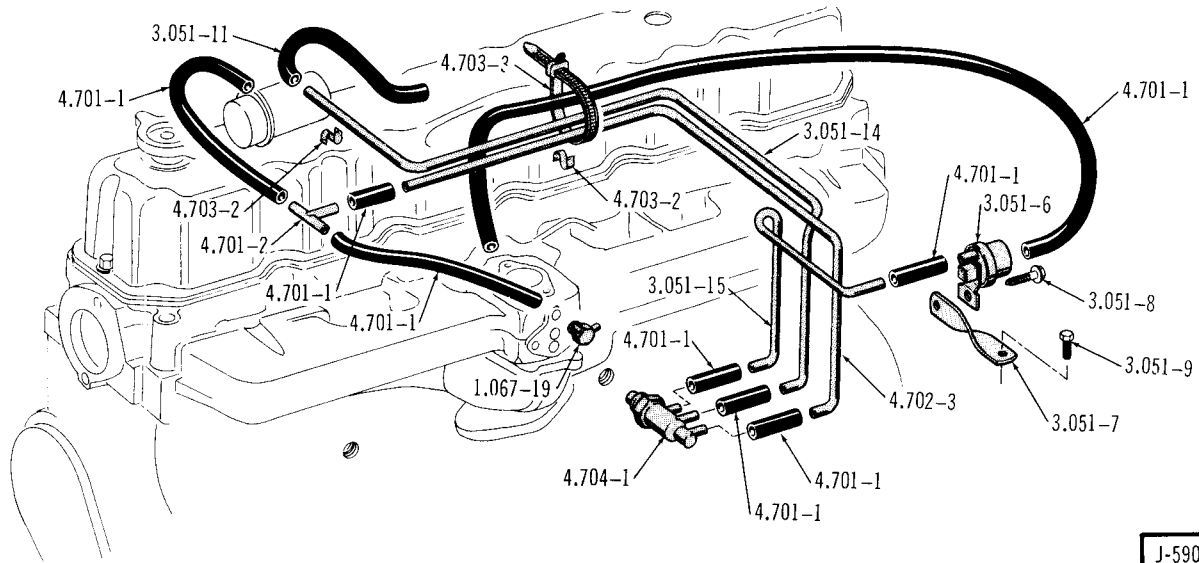
J-5906

EXHAUST GAS RECIRCULATION . . . SIX



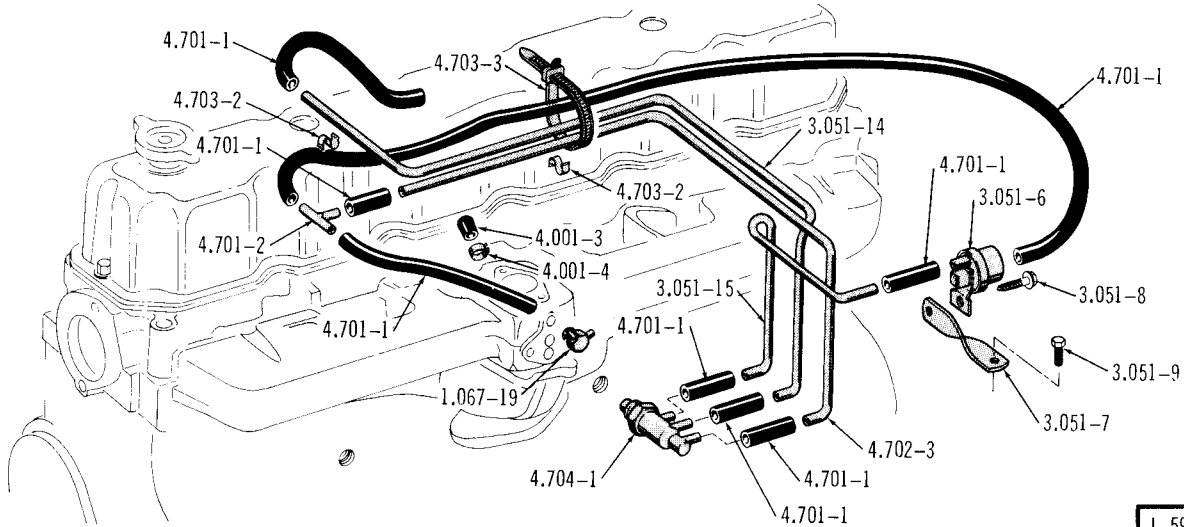
J-5907

EXHAUST GAS RECIRCULATION . . . V8



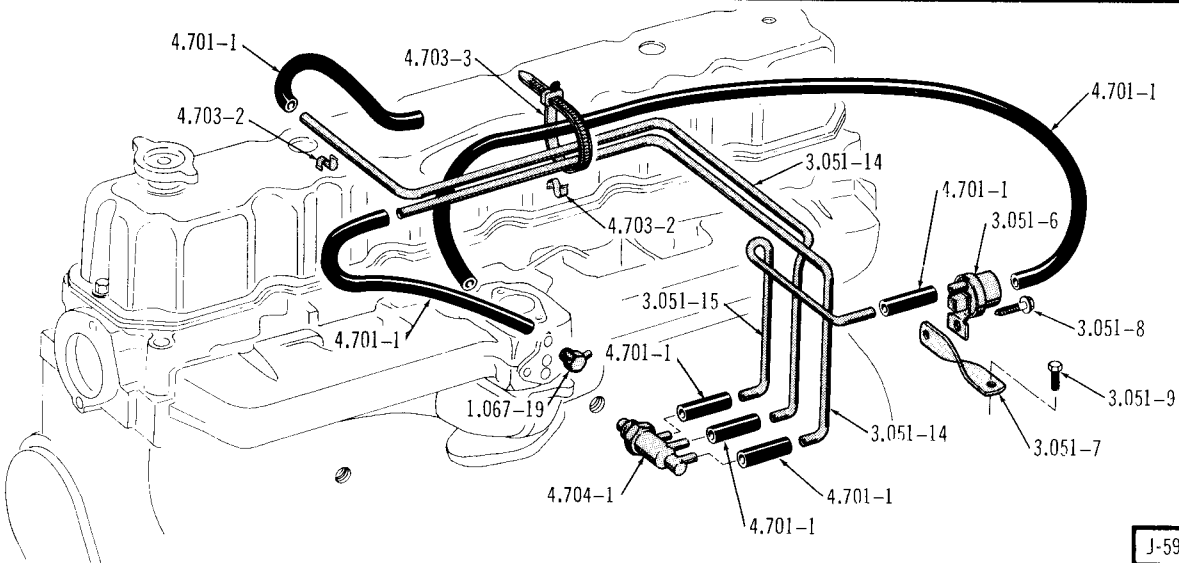
VACUUM ADVANCE MODULATION SYSTEM . . . 10-20-40 (SIX)

J-5908



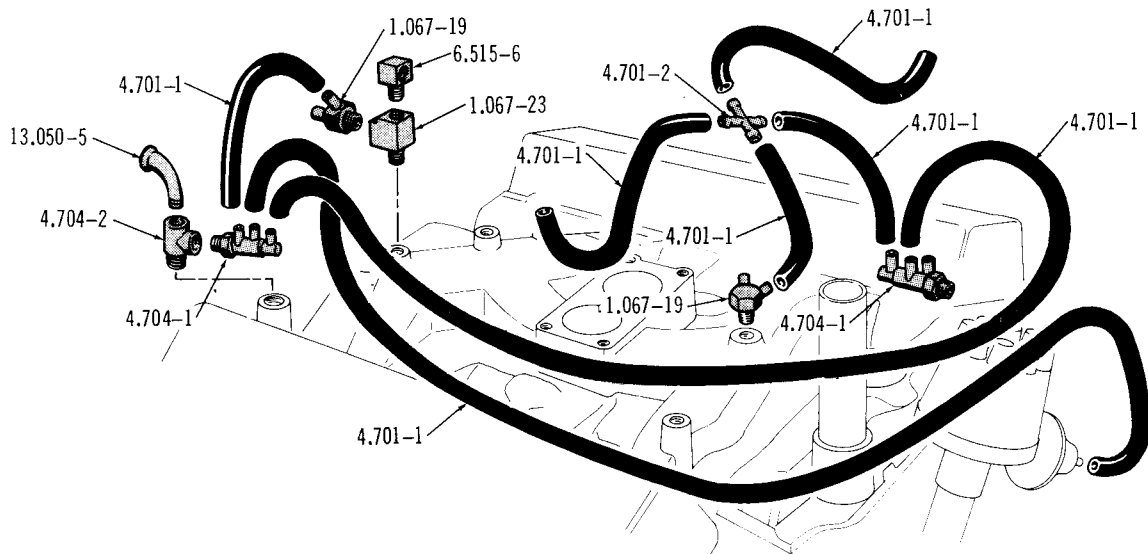
VACUUM ADVANCE MODULATION SYSTEM . . . 80 (SIX-E/ CALIF)

J-5909

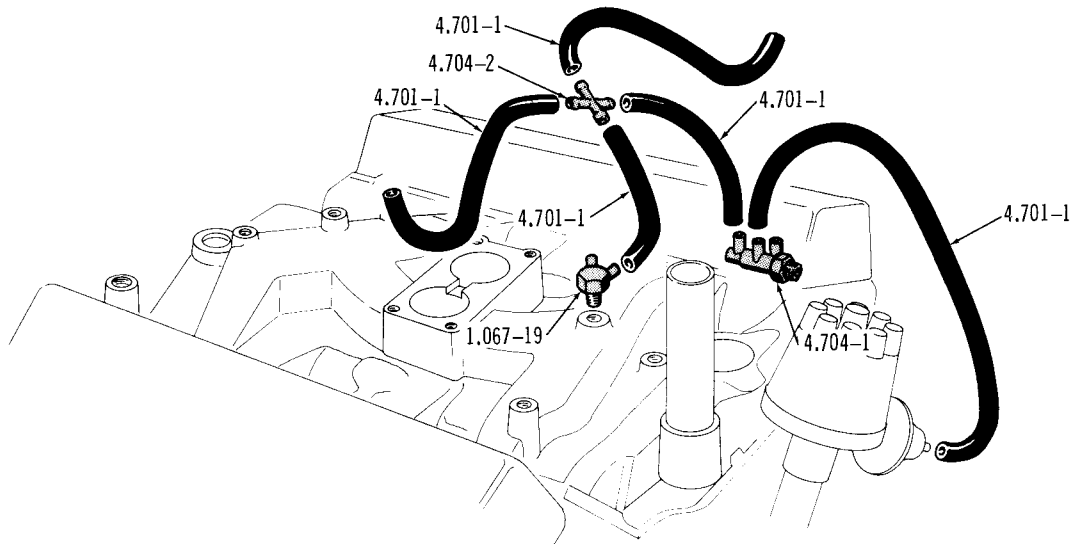


VACUUM ADVANCE MODULATION SYSTEM . . . 80 (SIX-CALIF)

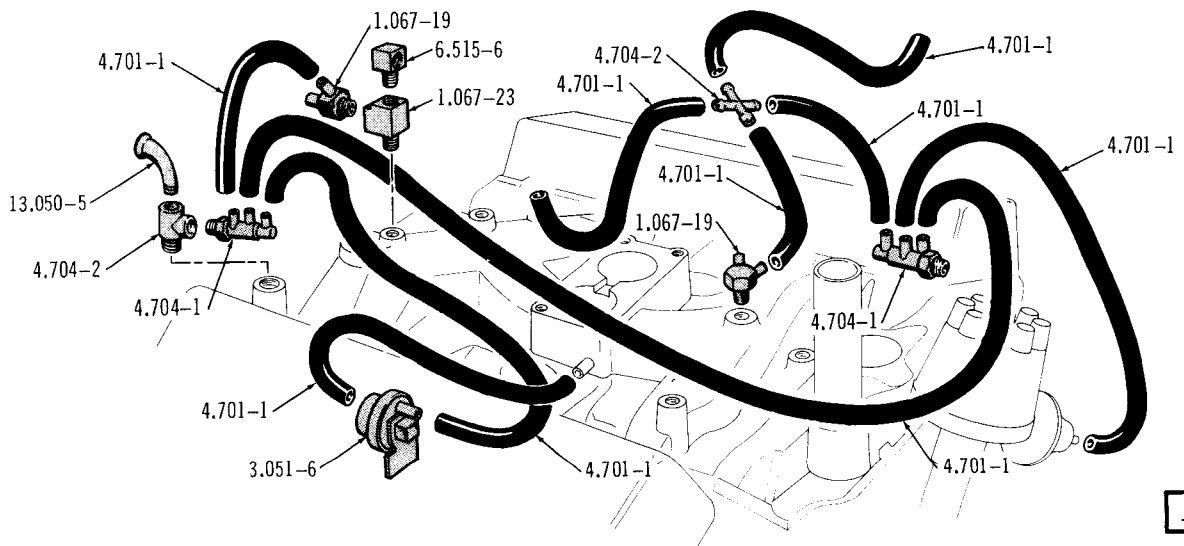
J-5910



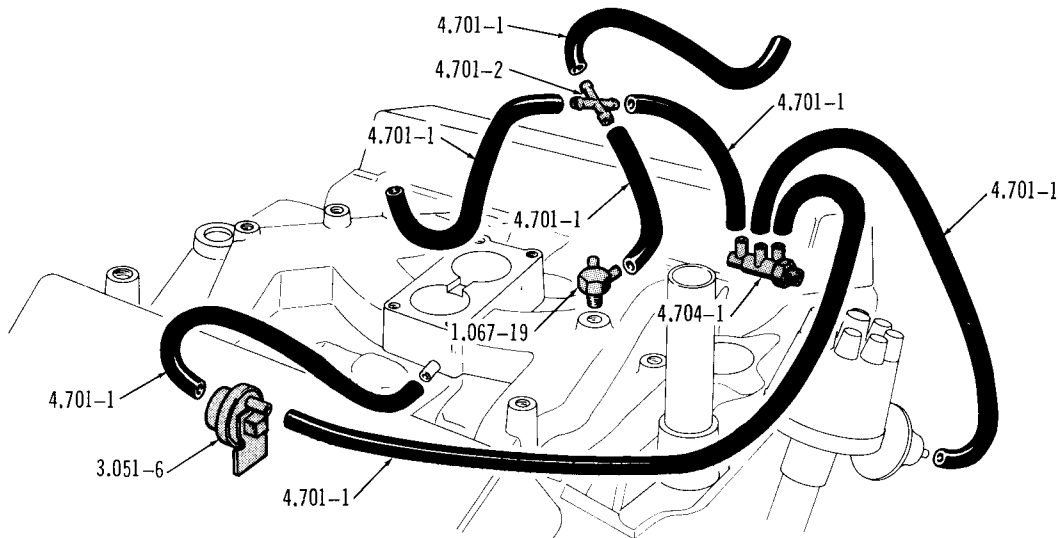
VACUUM ADVANCE MODULATION SYSTEM . . . 10-25-45 (V8-LHDC-CALIF)



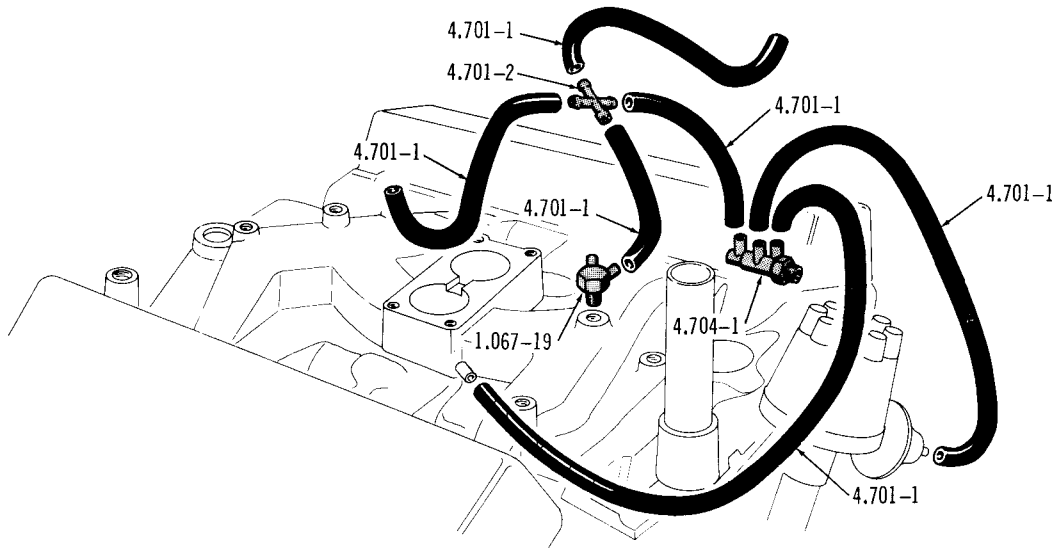
VACUUM ADVANCE MODULATION SYSTEM . . . 10-25-45 (V8-WHDC-CALIF), 1974 80 (V8-CALIF), 1975 80 (V8-E/CALIF)



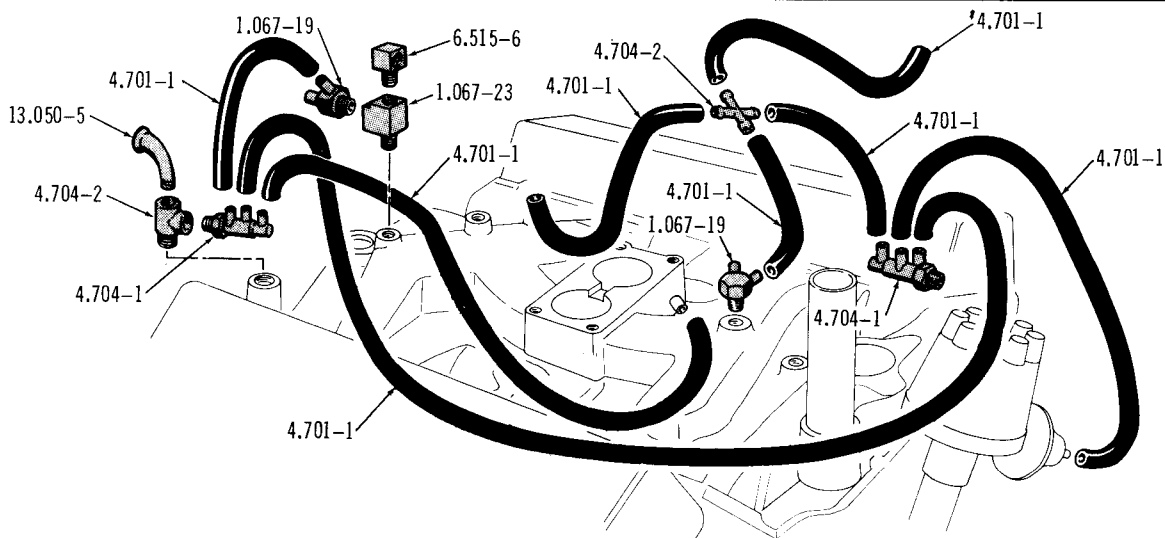
VACUUM ADVANCE MODULATION SYSTEM . . . 10-25-45 (360-LHDC-E/CALIF)



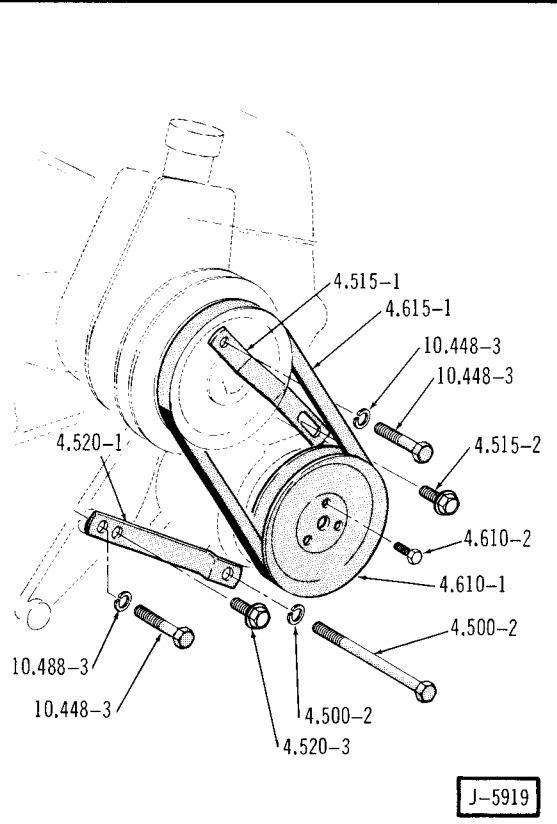
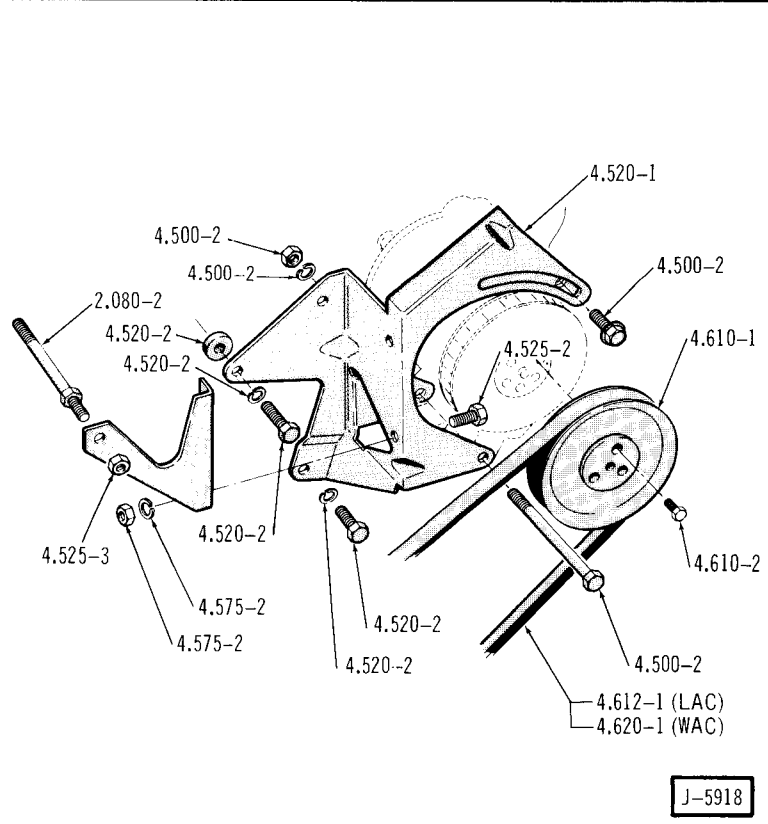
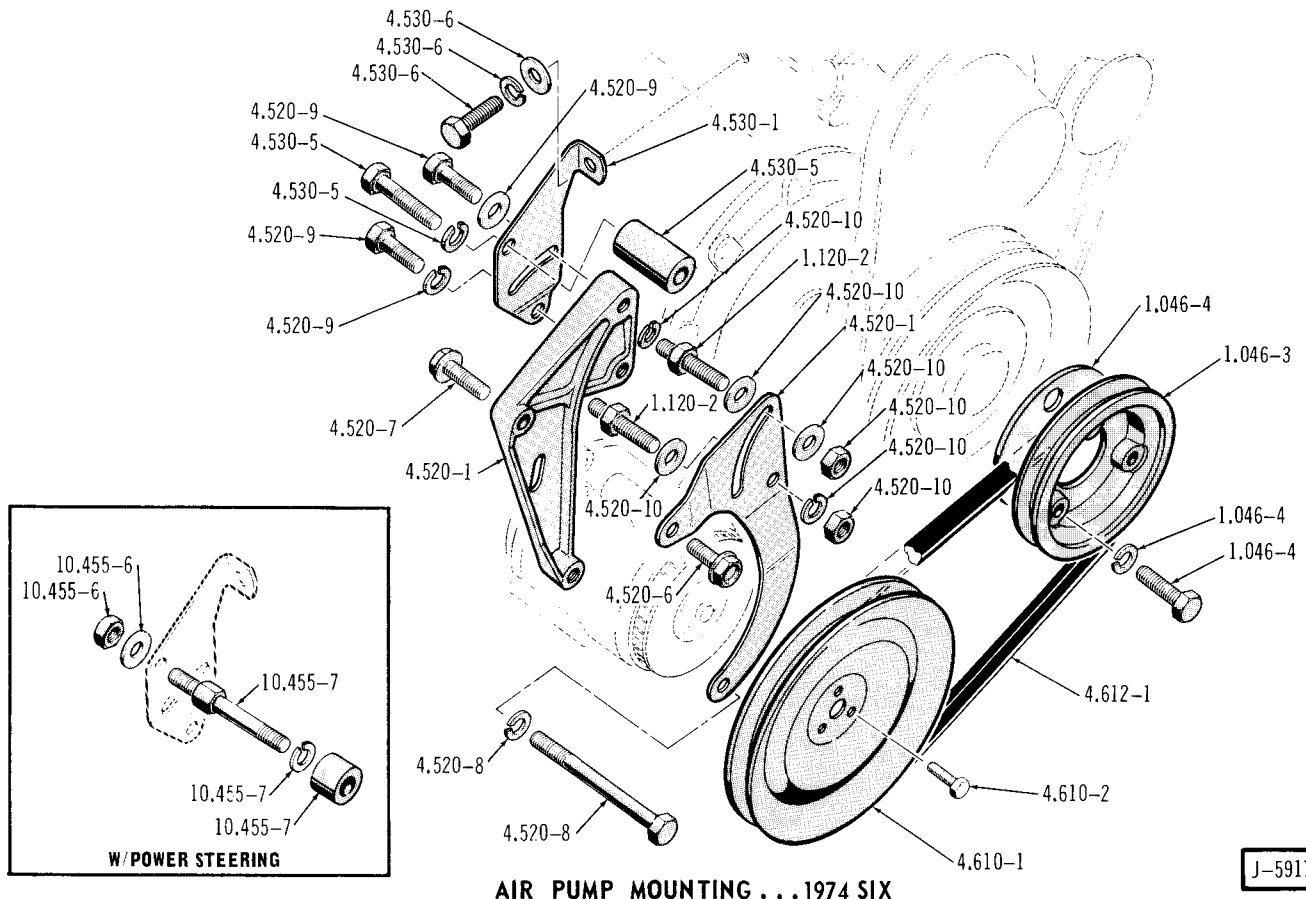
VACUUM ADVANCE MODULATION SYSTEM . . . 10-25-45 (360-WHDC-E/CALIF), 1974 80 (V8-E/CALIF), 1975 80 (V8-CALIF)

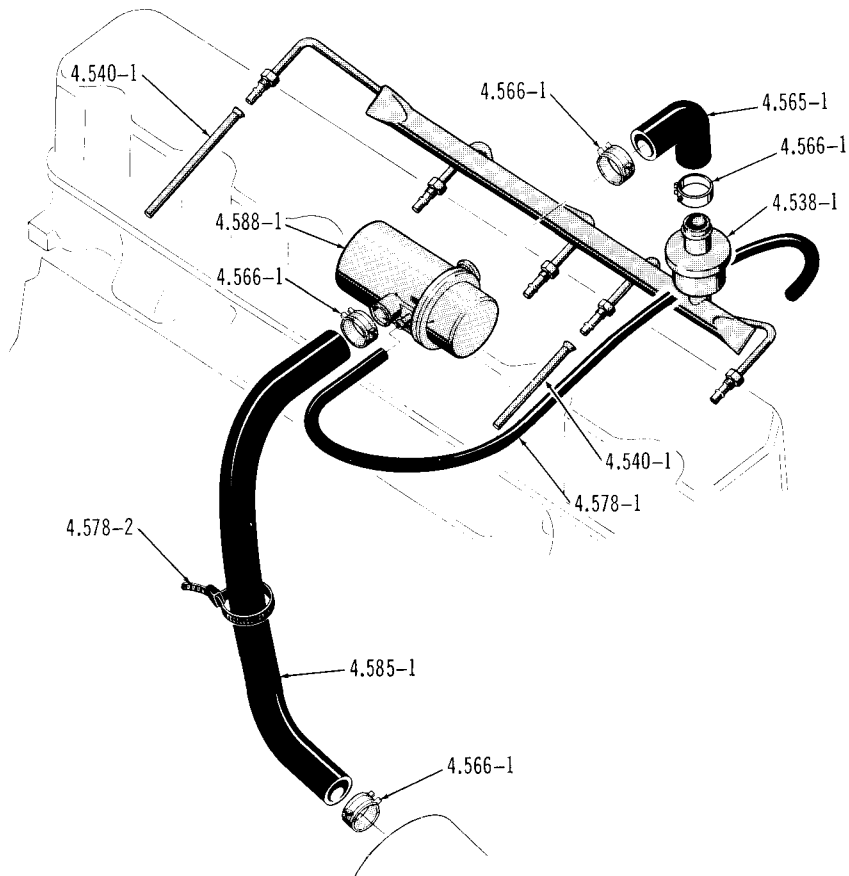


VACUUM ADVANCE MODULATION SYSTEM . . . 10-25-45 (401-E/CALIF), 26-46 (V8-WHDC)

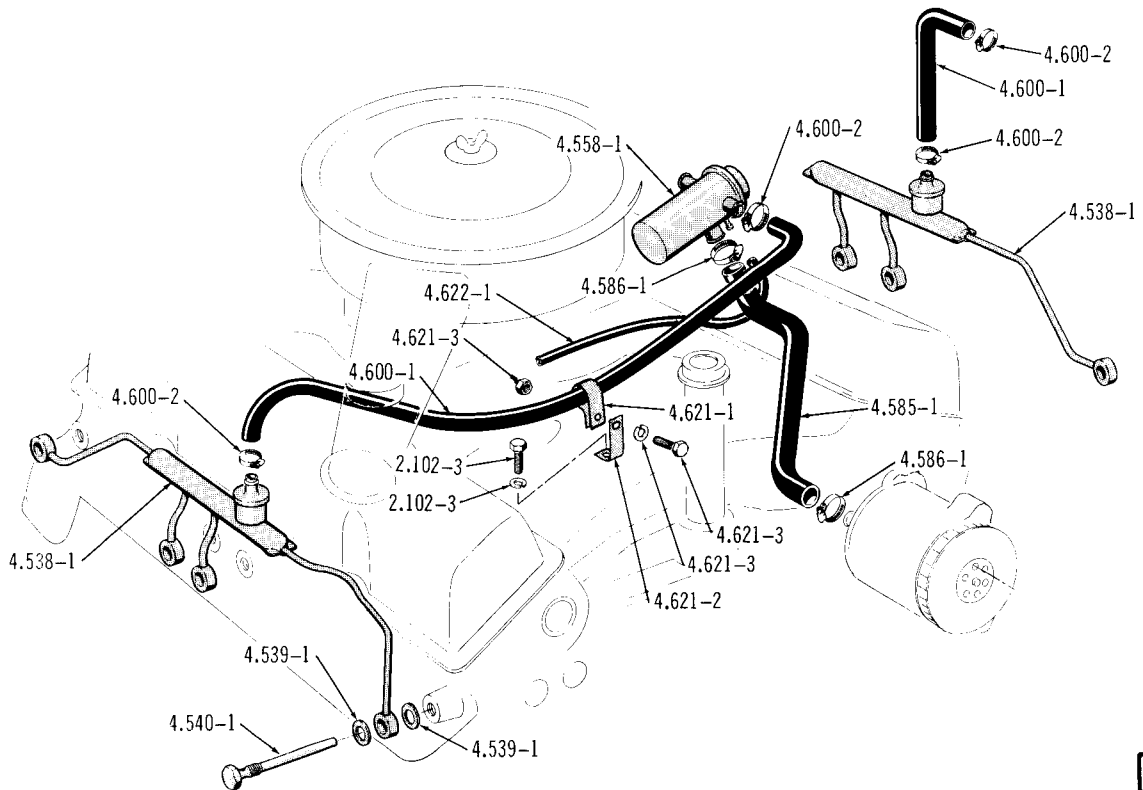


VACUUM ADVANCE MODULATION SYSTEM . . . 26-46 (V8-LHDC)

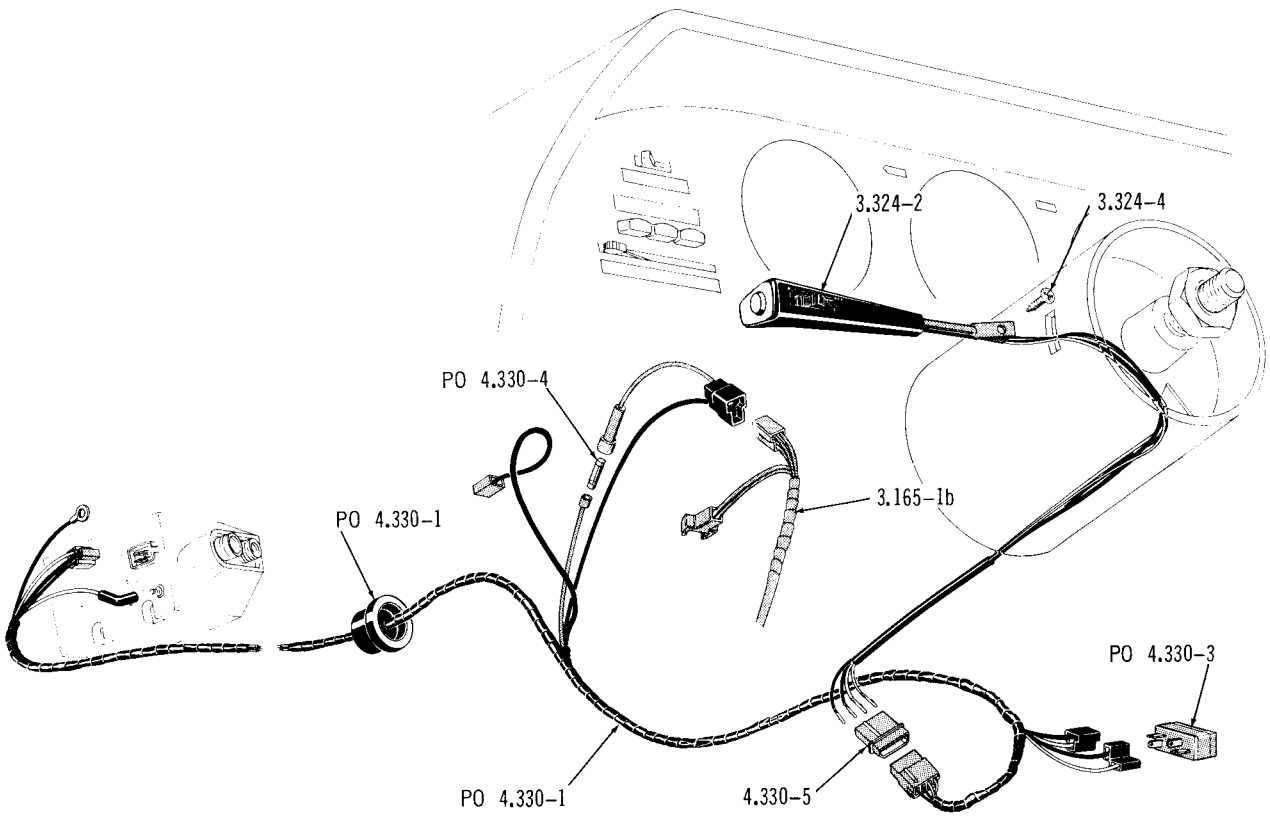




EXHAUST EMISSION SYSTEM . . . 1974 SIX



EXHAUST EMISSION SYSTEM . . . V8



AUTOMATIC SPEED CONTROL ELECTRICAL SYSTEM . . . 1975/ 10-20-40 (V8)

J-5978

