

ELECTRICAL - INSTRUMENTS

GROUP 3

ILLUSTRATION SUPPLEMENT - SPECIAL INFORMATION

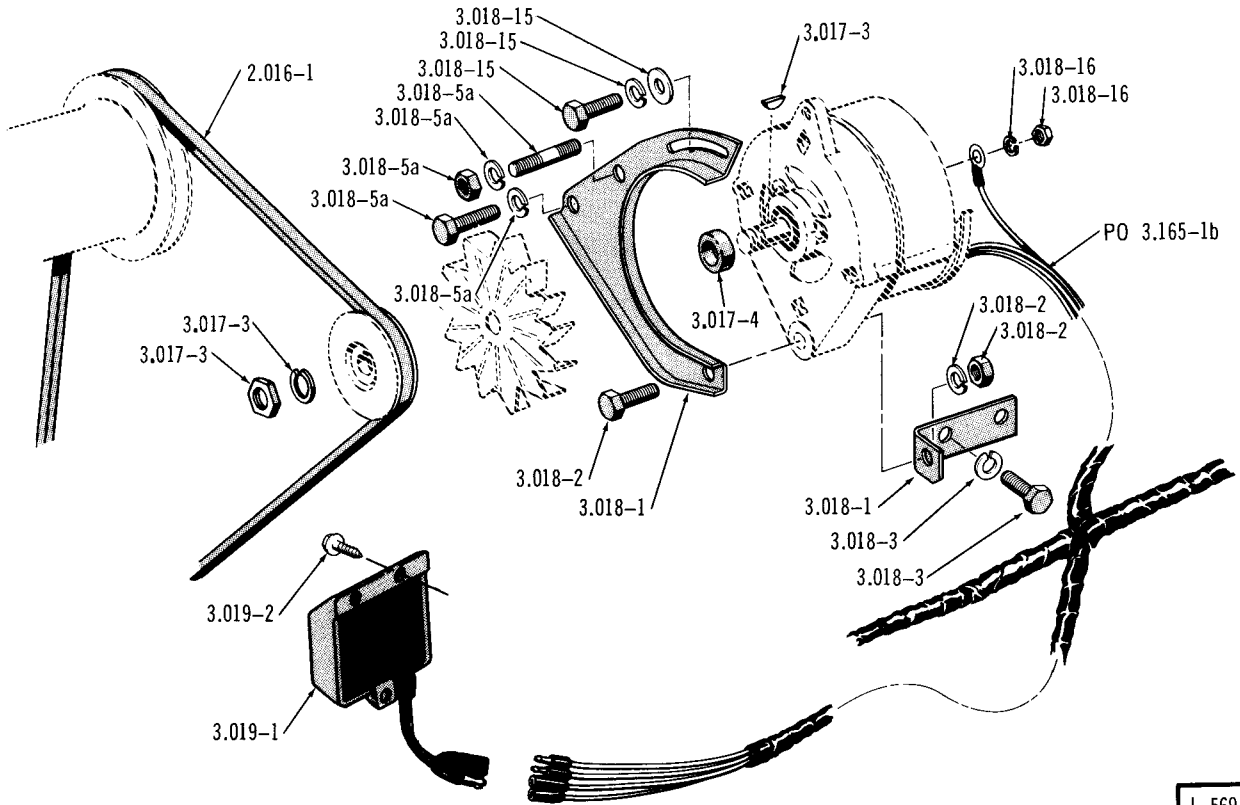
ALTERNATOR COMPONENTS . . . . Refer to Charts in Text Section of Parts Catalog.

DISTRIBUTOR COMPONENTS . . . . Refer to Charts in Text Section of Parts Catalog.

GENERATOR COMPONENTS . . . . Refer to Charts in Text Section of Parts Catalog.

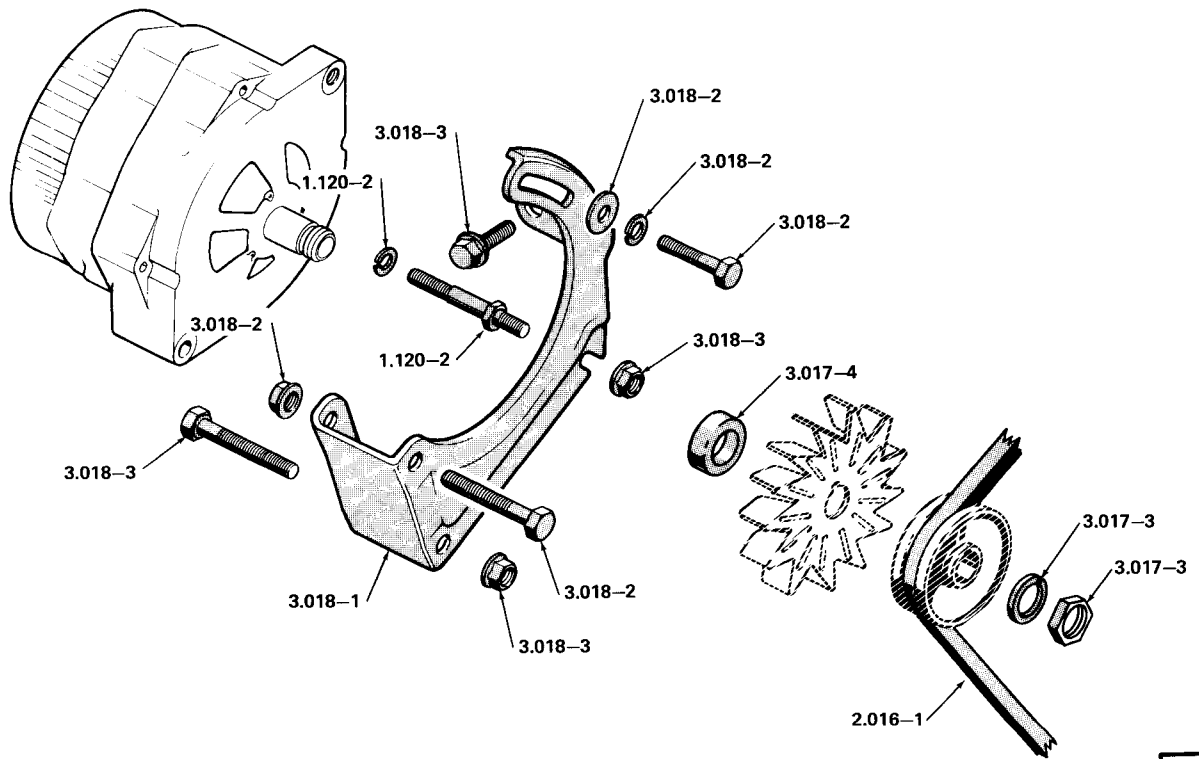
STARTING MOTOR COMPONENTS . . . . Refer to Charts in Text Section of Parts Catalog.





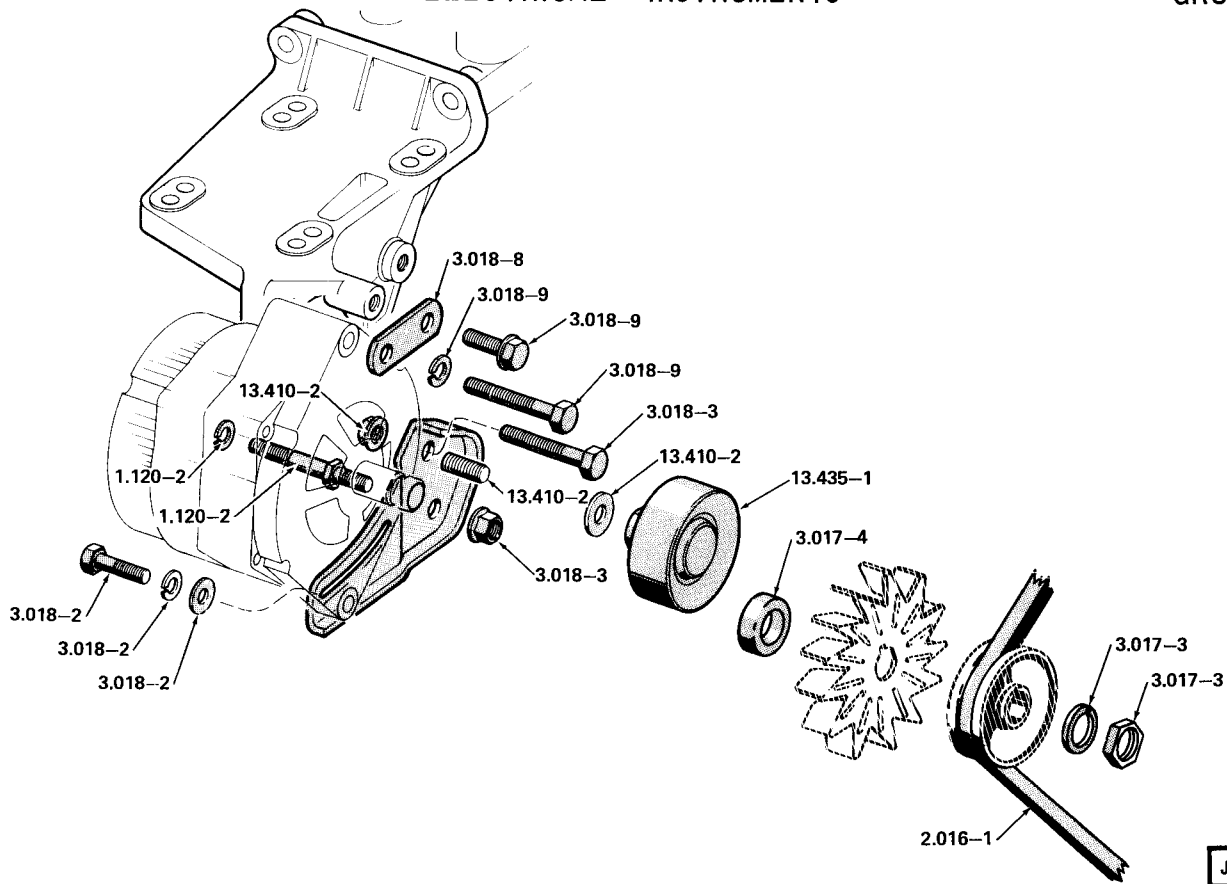
J-5694

ALTERNATOR MOUNTING . . . 1974 SIX



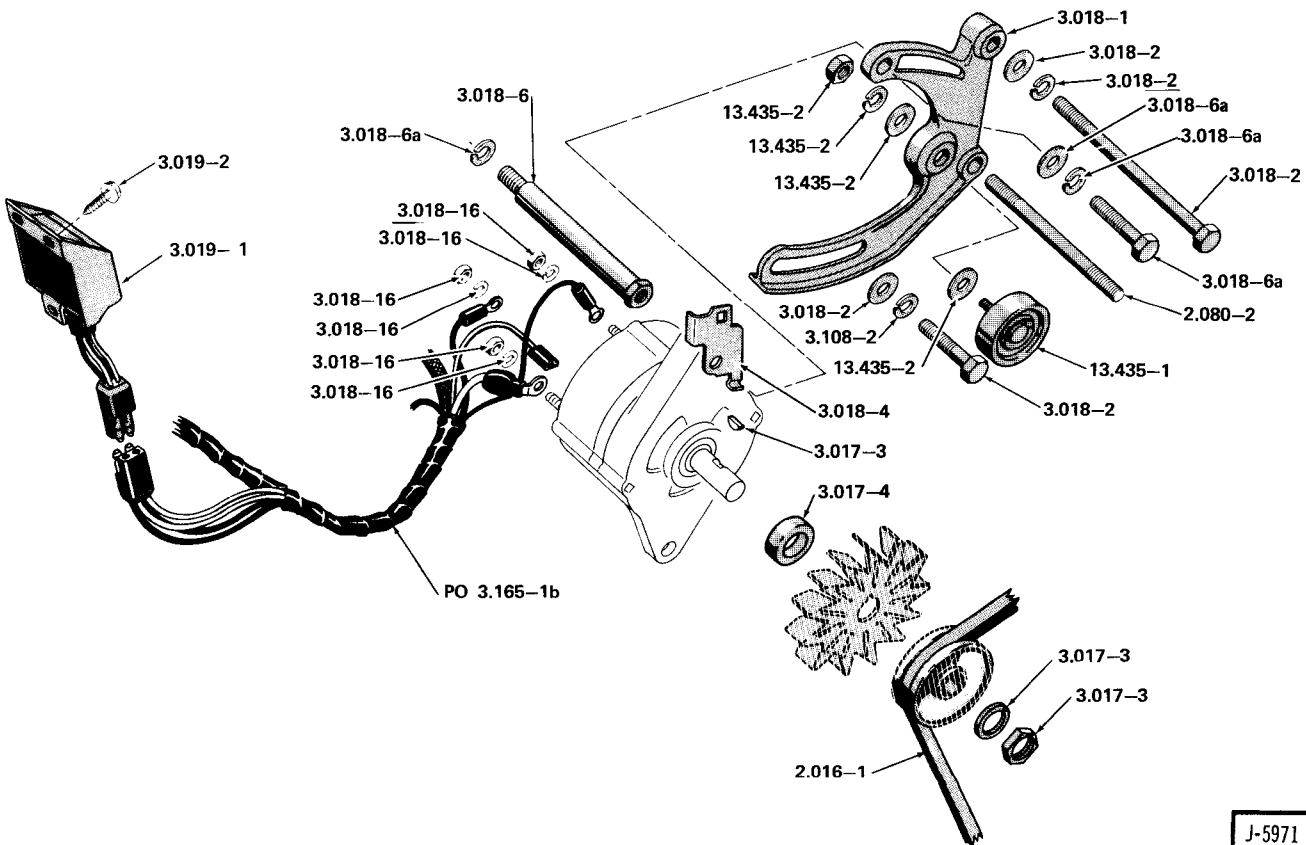
J-6047

ALTERNATOR MOUNTING . . . 1975/ SIX (LAC)



J-6048

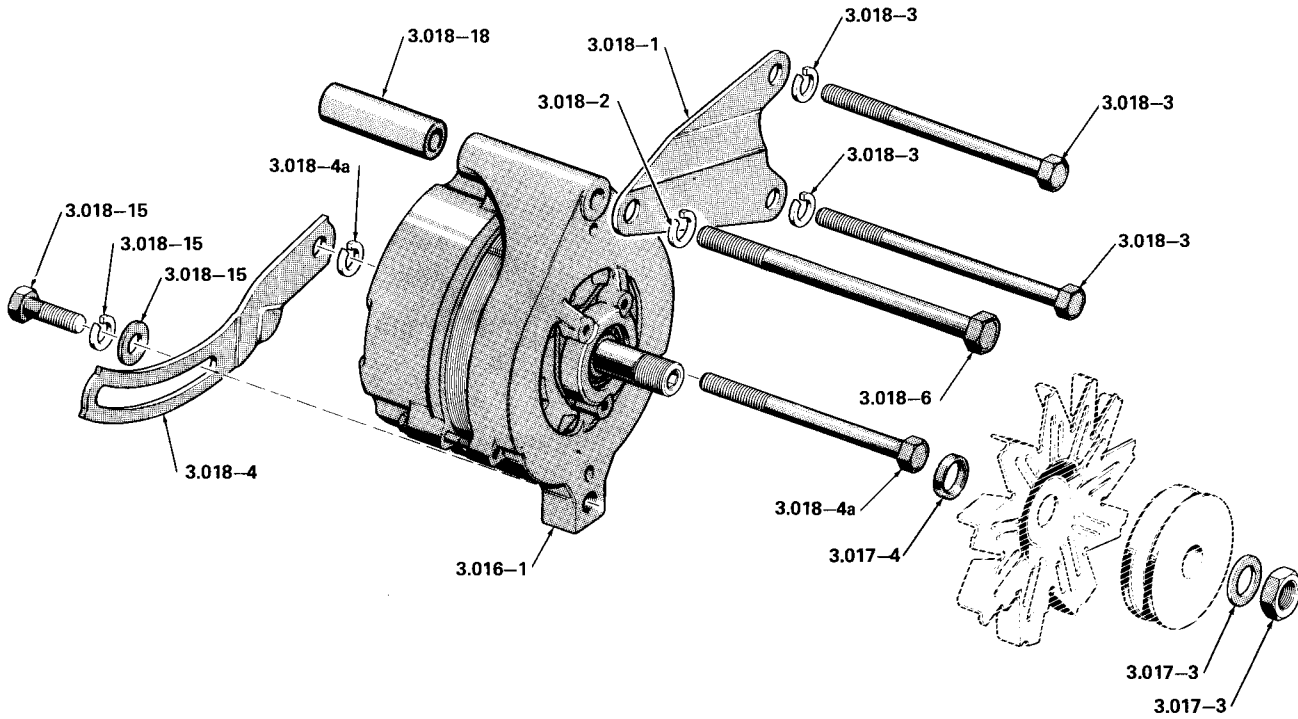
ALTERNATOR MOUNTING . . . 1975/ SIX (WAC-LAA)



J-5971

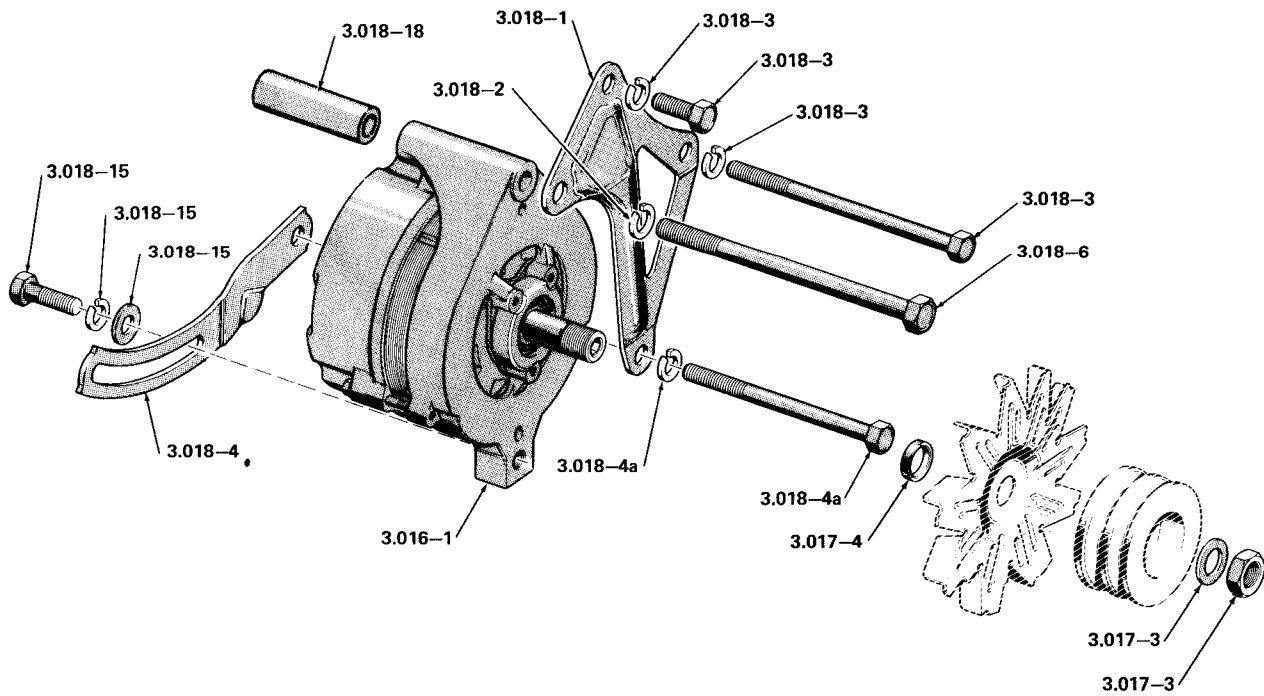
ALTERNATOR MOUNTING . . . 1975 V8





J-6040

ALTERNATOR MOUNTING . . . 1976 V8 (LAC)



J-6041

ALTERNATOR MOUNTING . . . 1976 V8 (WAC-LAA)

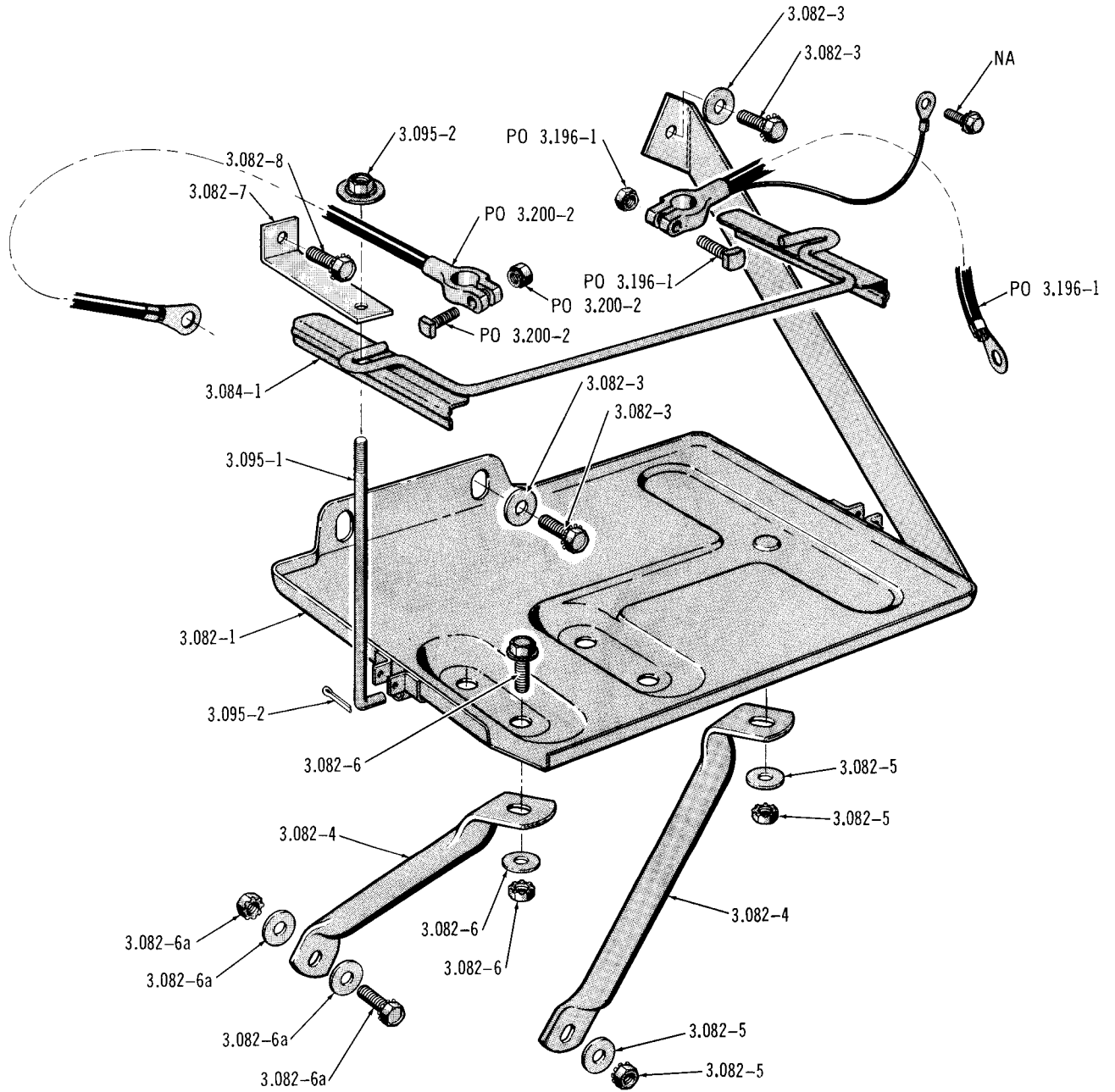








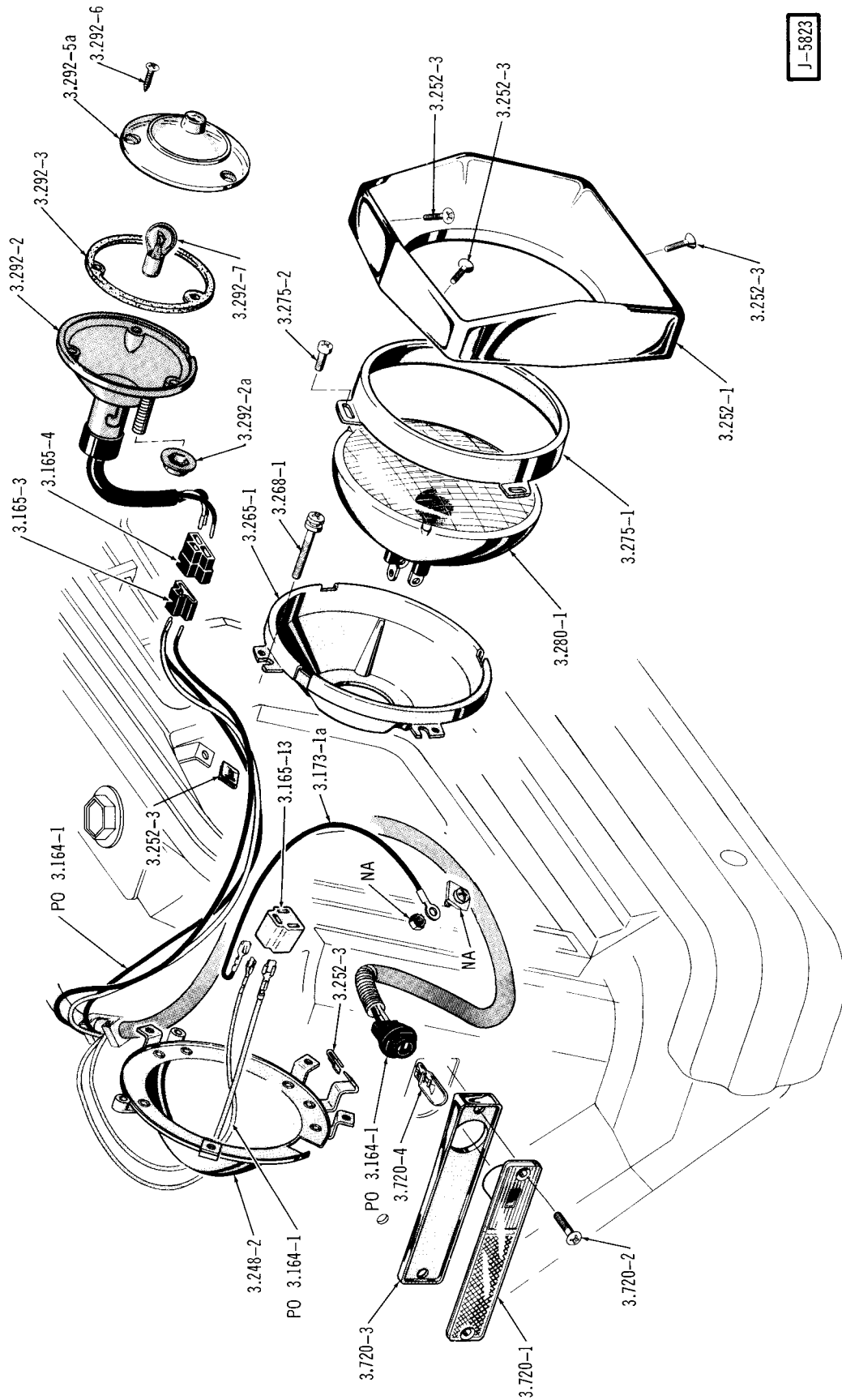




J-5843

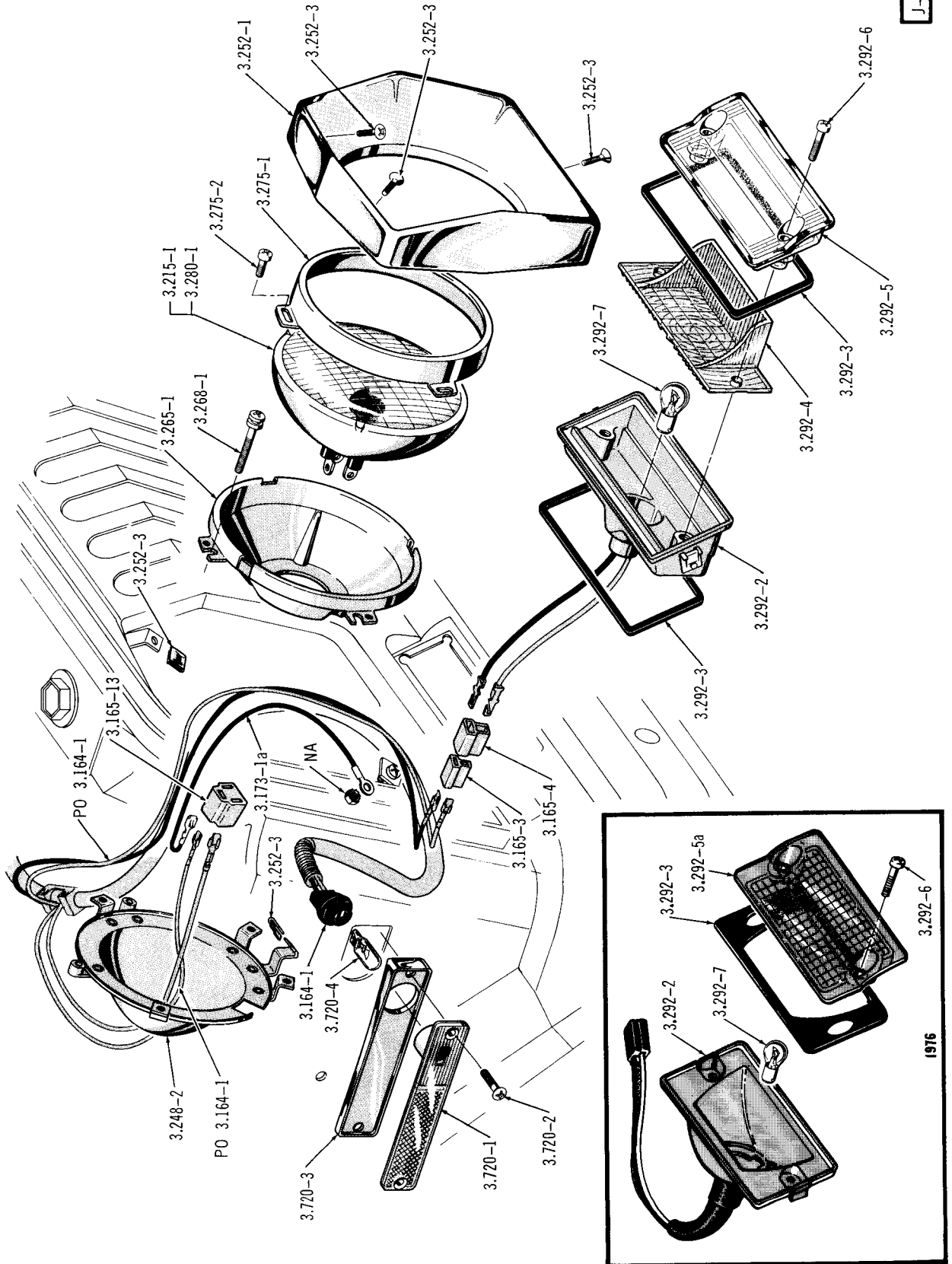
BATTERY TRAY AND CABLES (TOP HOLD DOWN) . . . 80-90

J-5823

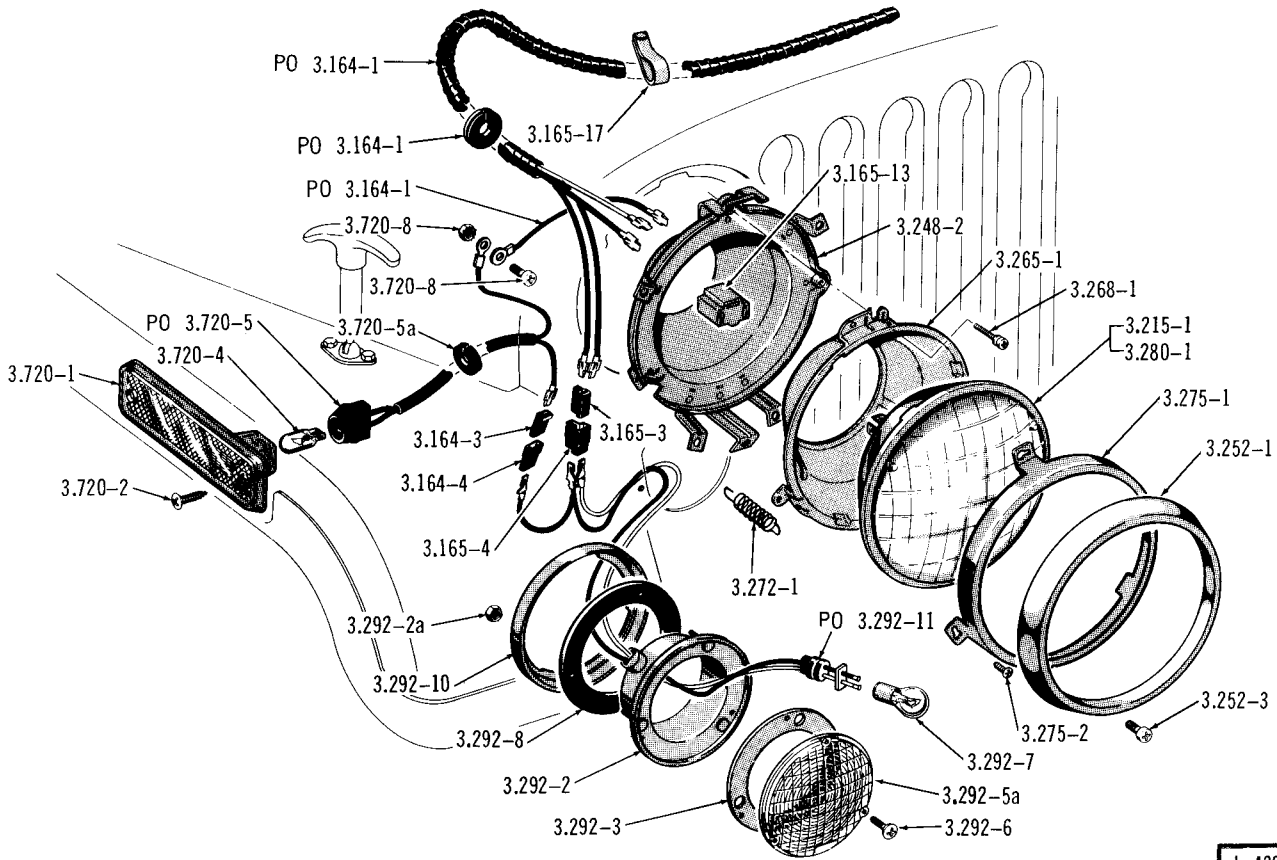


HEADLAMP, PARKING, DIRECTIONAL AND SIDE MARKER LAMPS... 14-15

J-5742

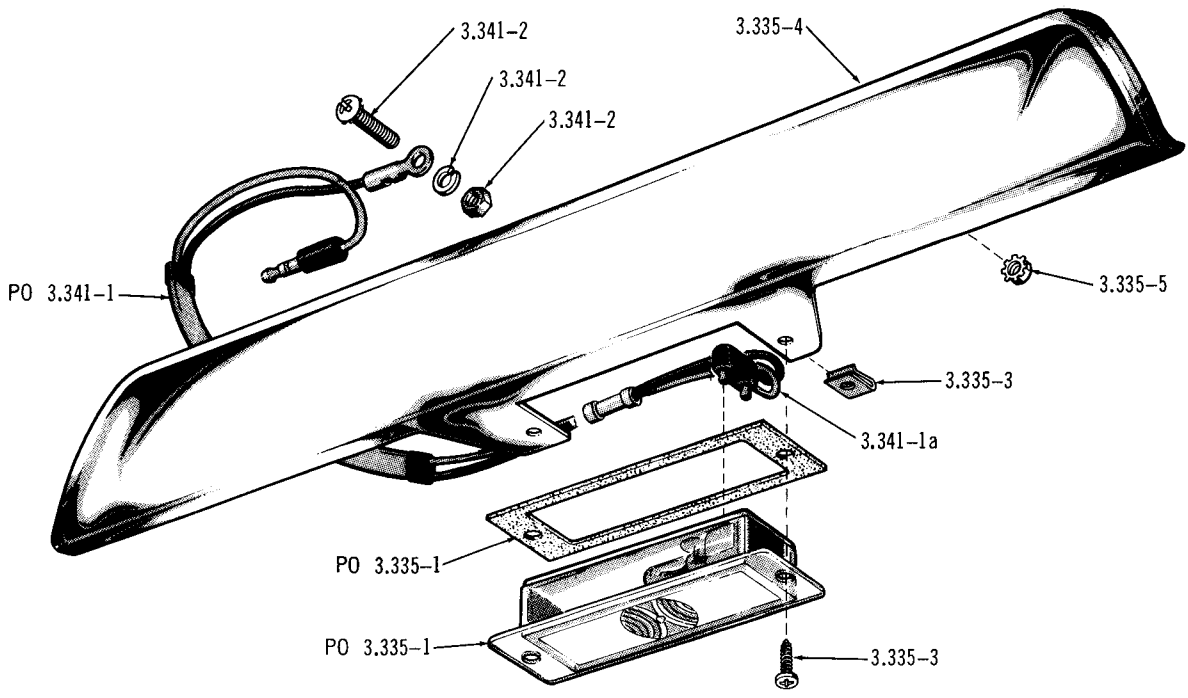


HEADLAMP, PARKING, DIRECTIONAL AND SIDE MARKER LAMPS . . . 16-17-20-40



HEADLAMP, PARKING, DIRECTIONAL AND SIDE MARKER LAMPS . . . 80-90

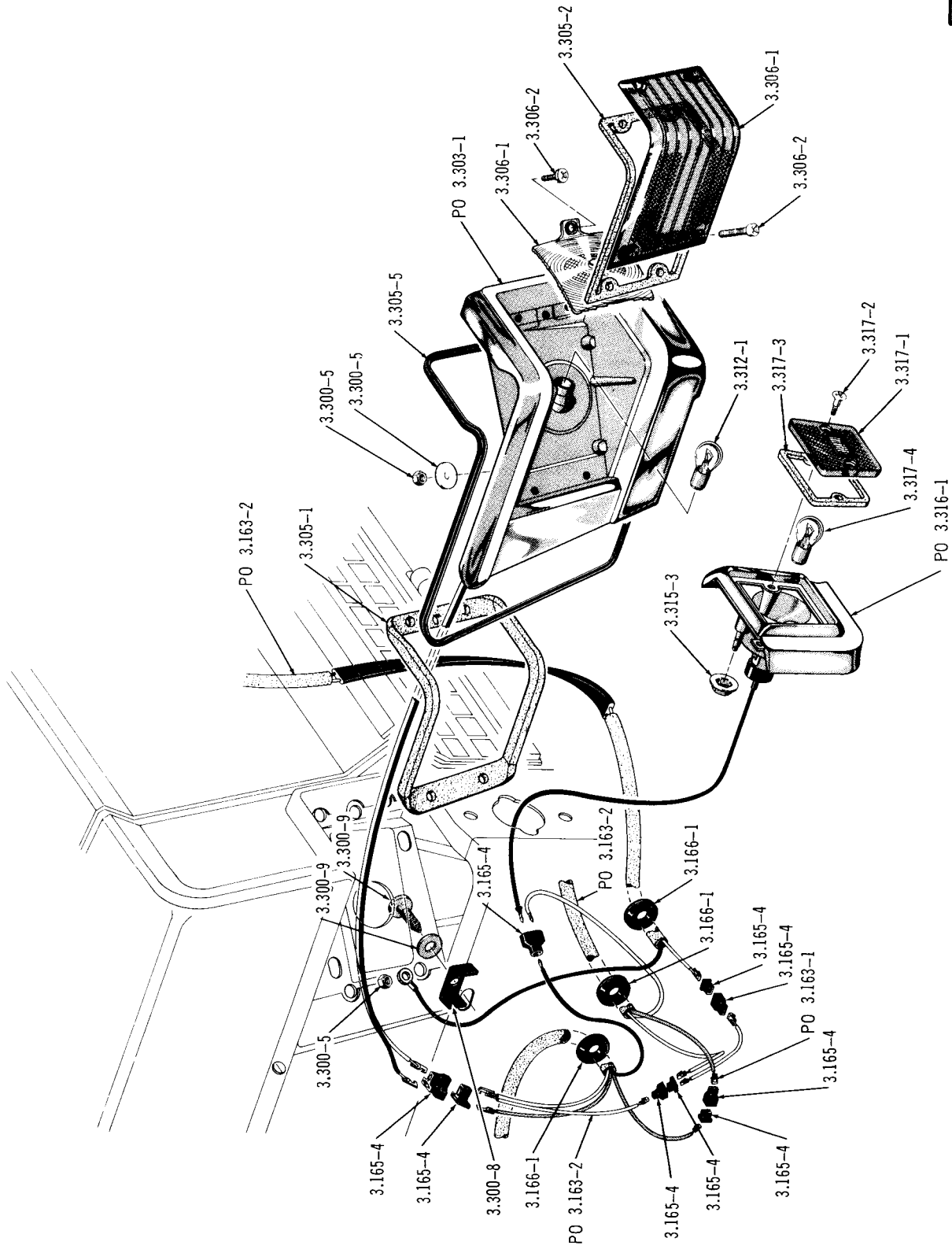
J-4899



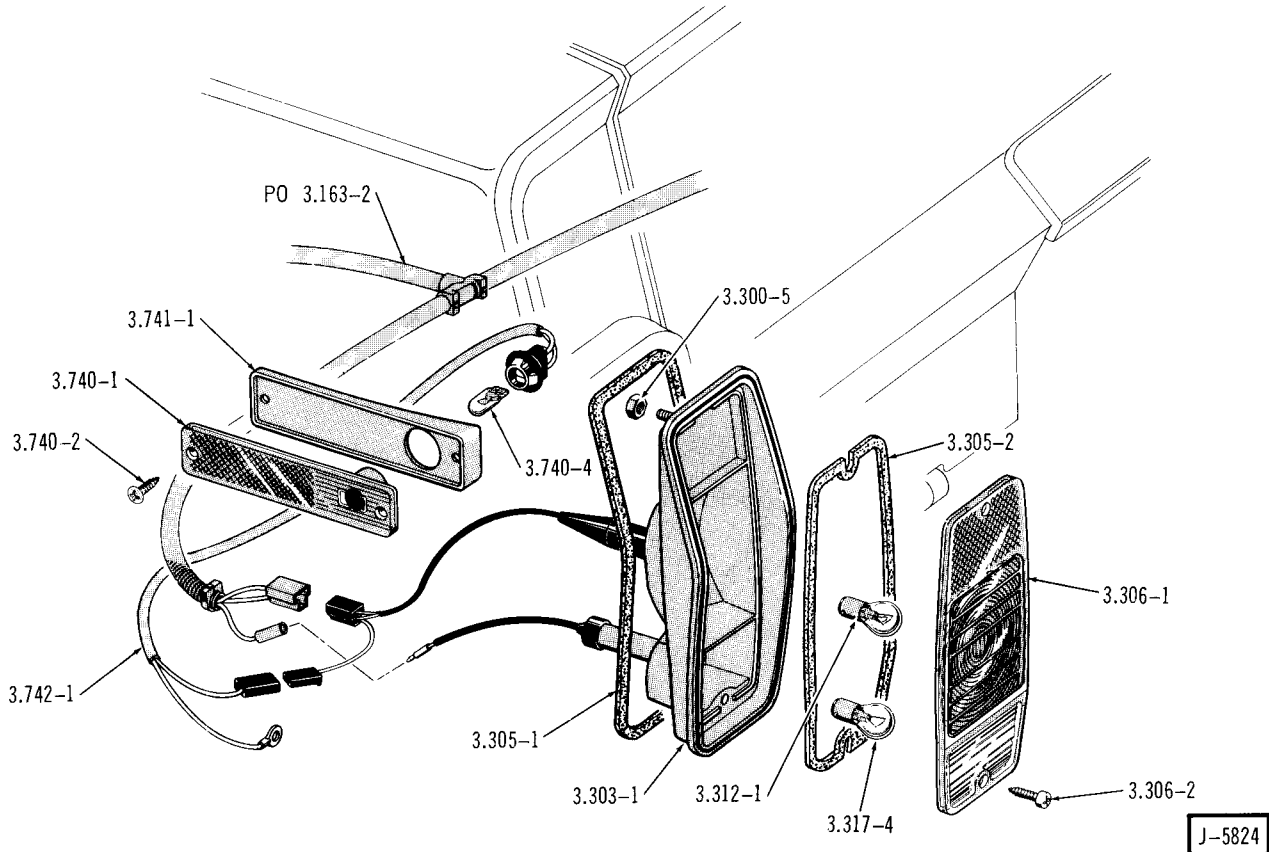
LICENSE LAMP . . . 10

J-5923

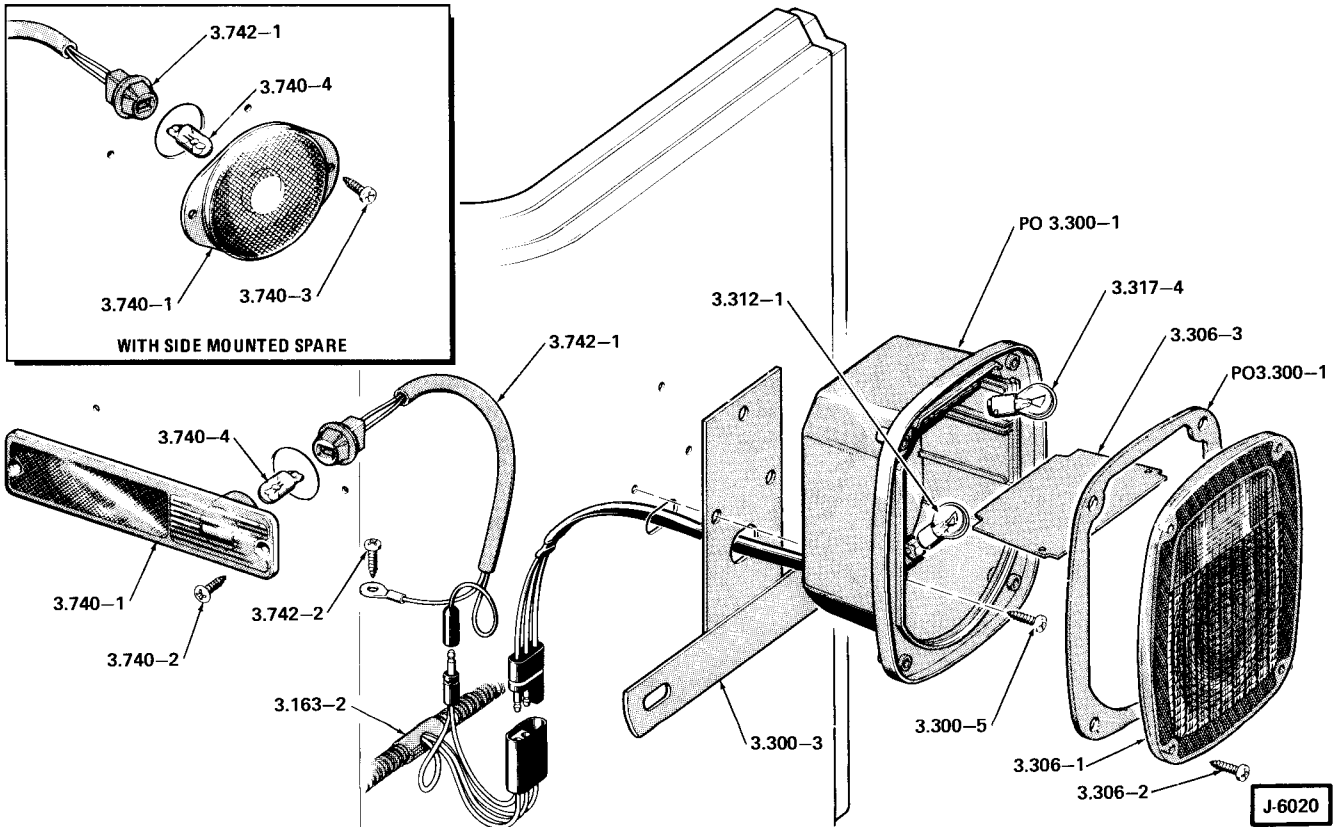
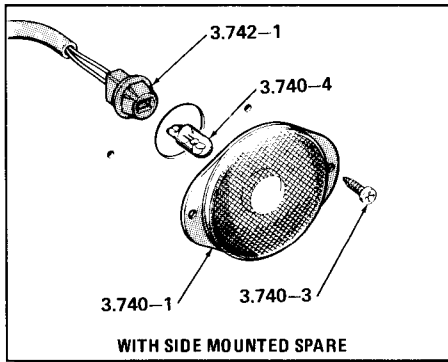
J-4323



TAIL, STOP, DIRECTIONAL AND BACKUP LAMPS . . . 14-15



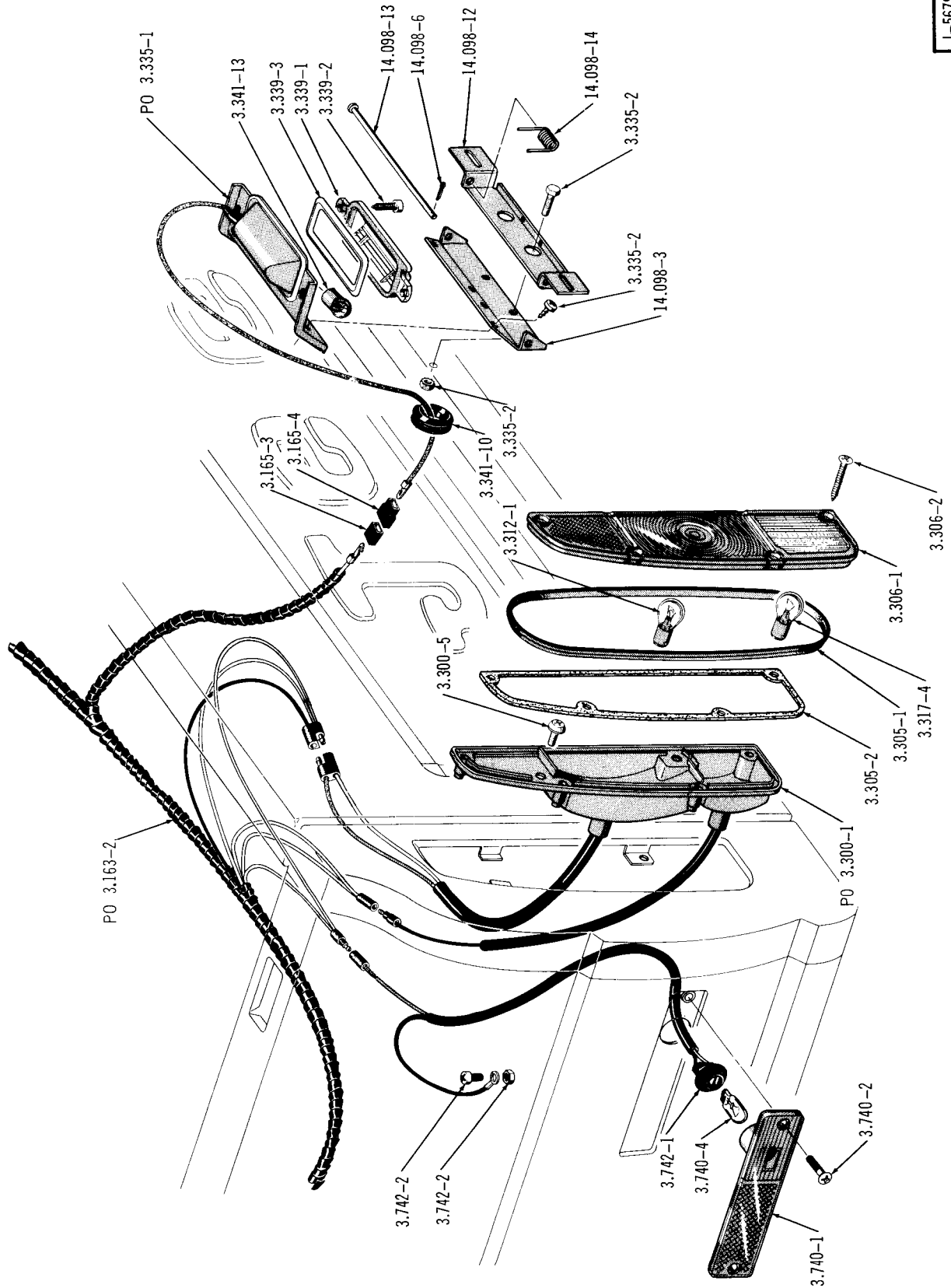
TAIL, STOP, DIRECTIONAL, BACKUP AND SIDE MARKER LAMPS . . . 16-17



TAIL, STOP, DIRECTIONAL, BACKUP, SIDE MARKER AND LICENSE LAMPS . . . 1976 80-90

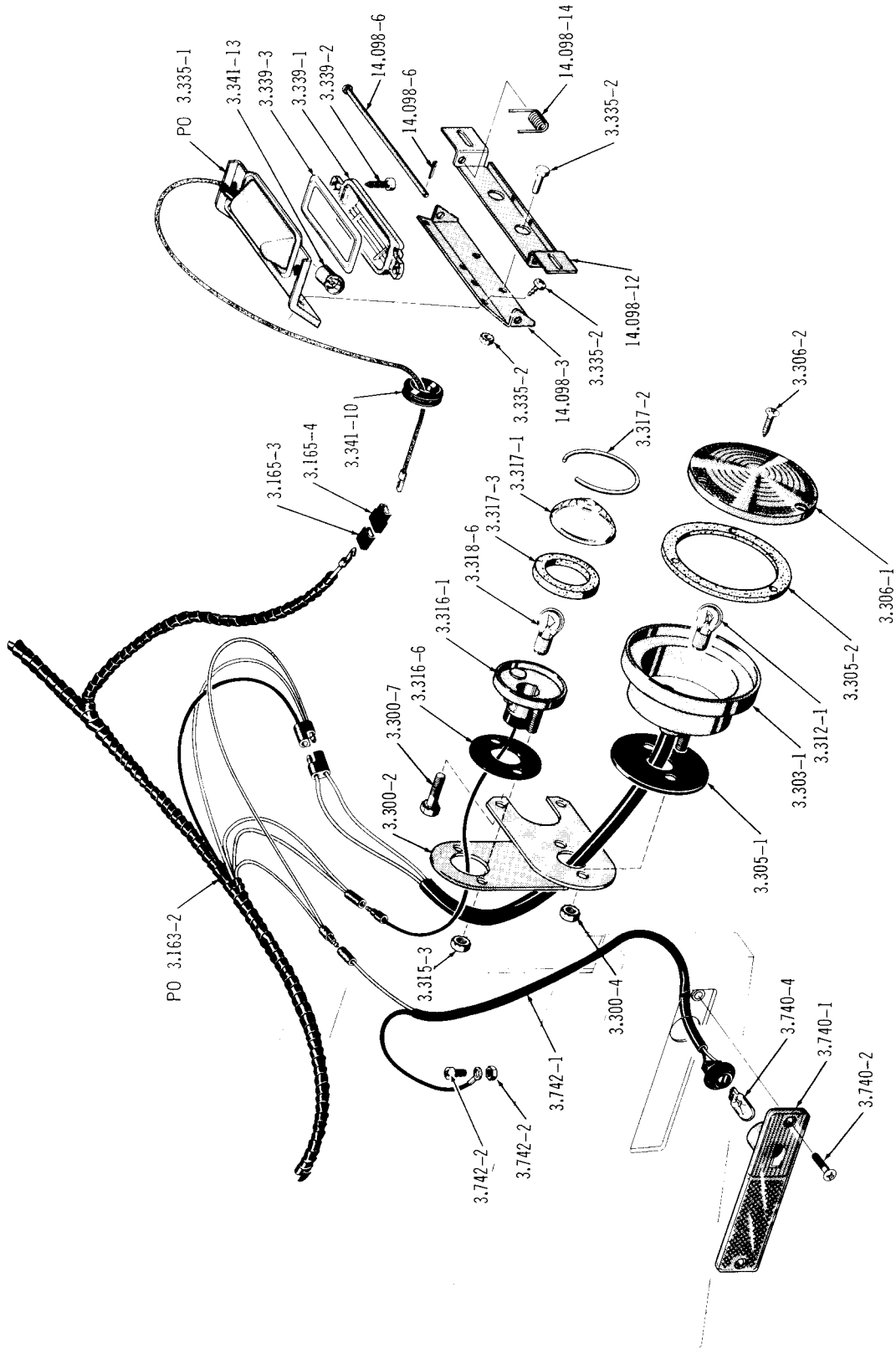


J-5679



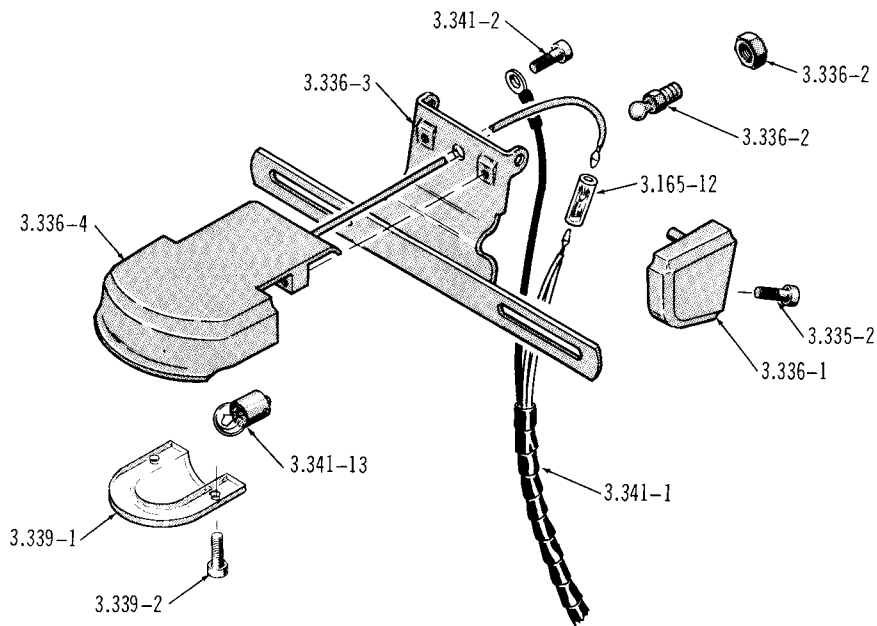
TAIL, STOP, DIRECTIONAL, BACKUP, SIDE MARKER AND LICENSE PLATE LAMPS . . . 20-40 (TOWNSIDE)

J-5961



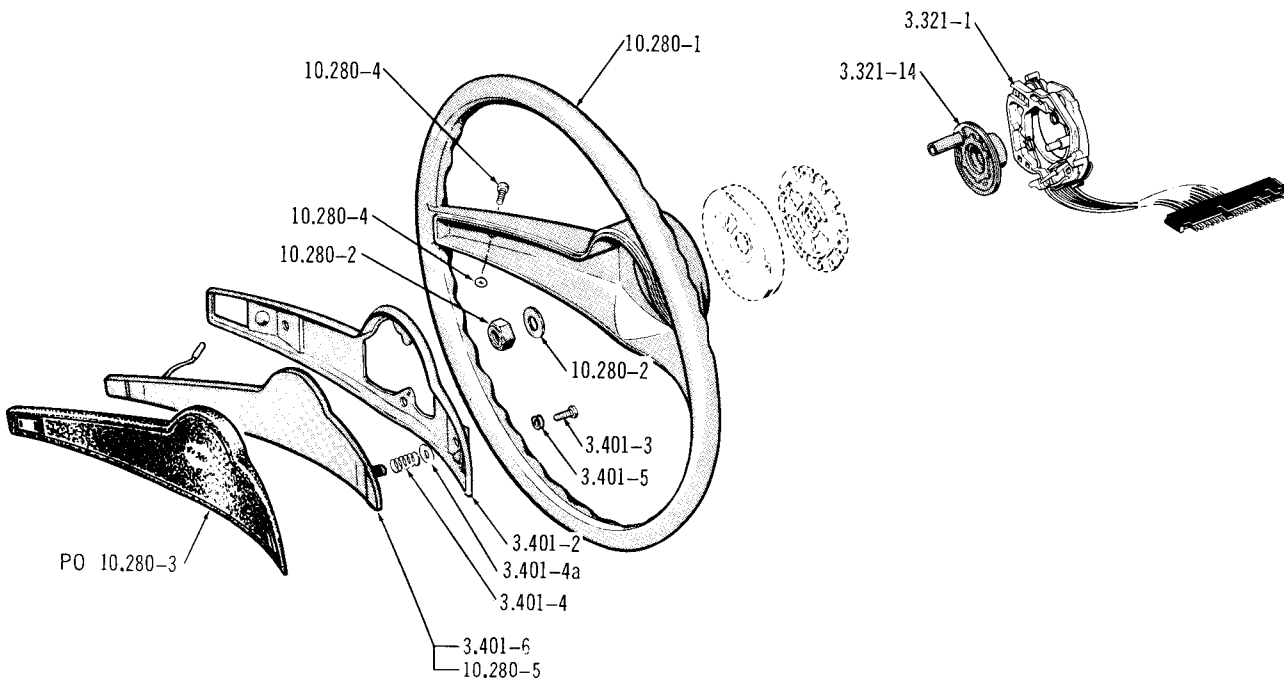
TAIL, STOP, DIRECTIONAL, BACKUP, SIDE MARKER AND LICENSE PLATE LAMPS... 20-40 (THRIFTSIDE)





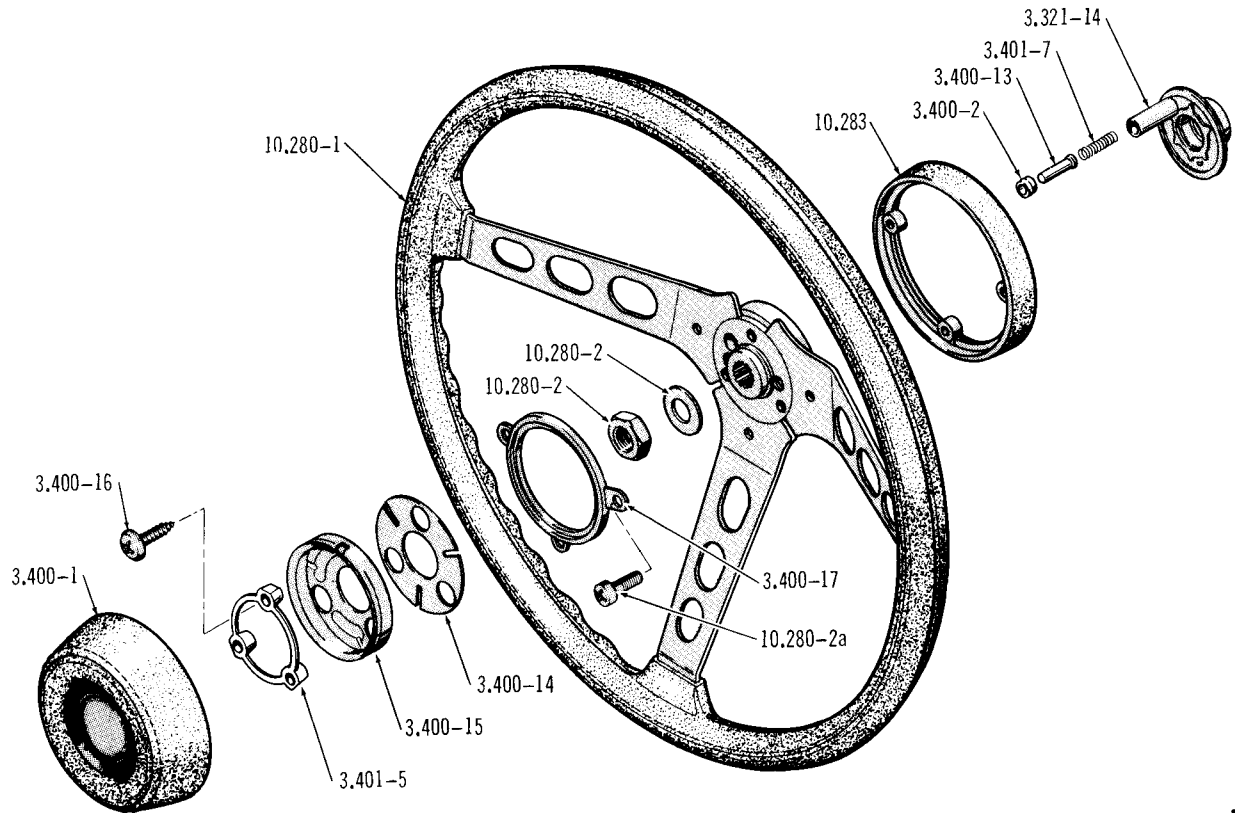
LICENSE PLATE LAMP . . . 1974/1975 80 (WITH SOLID BACK PANEL)

J-4834



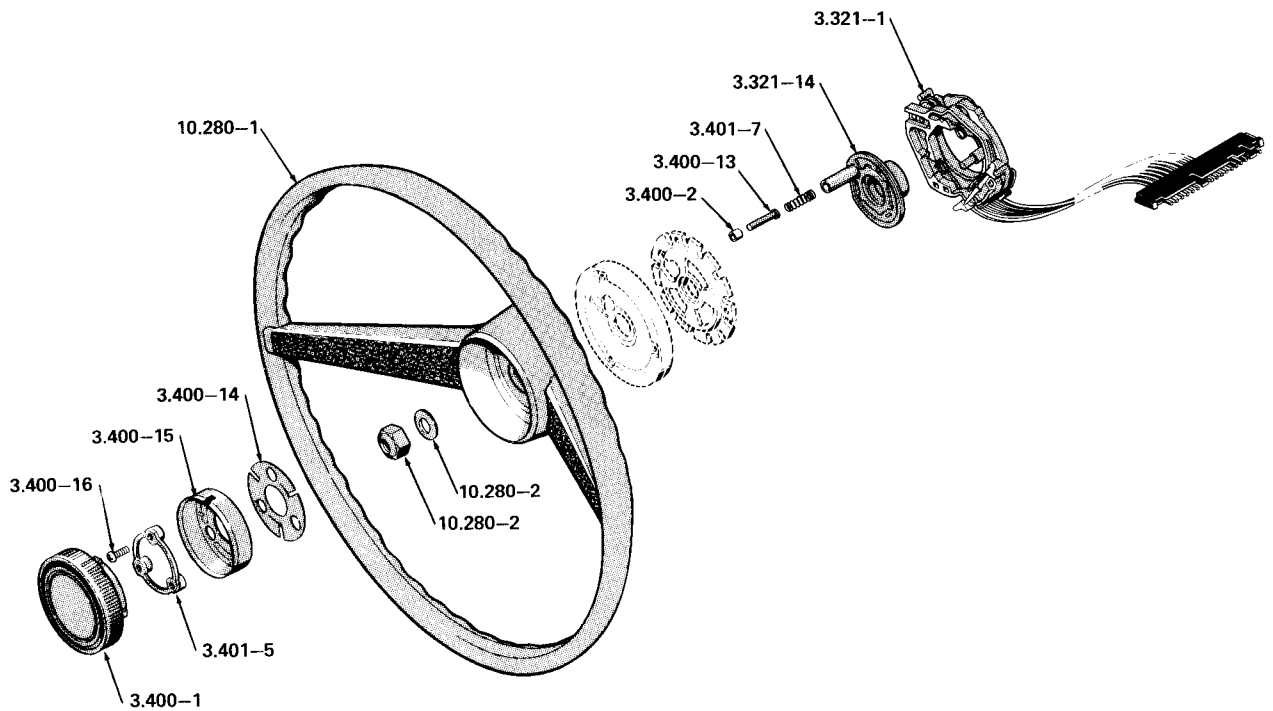
STEERING WHEEL AND SPOKE HORN . . . 10-20-40

J-5681



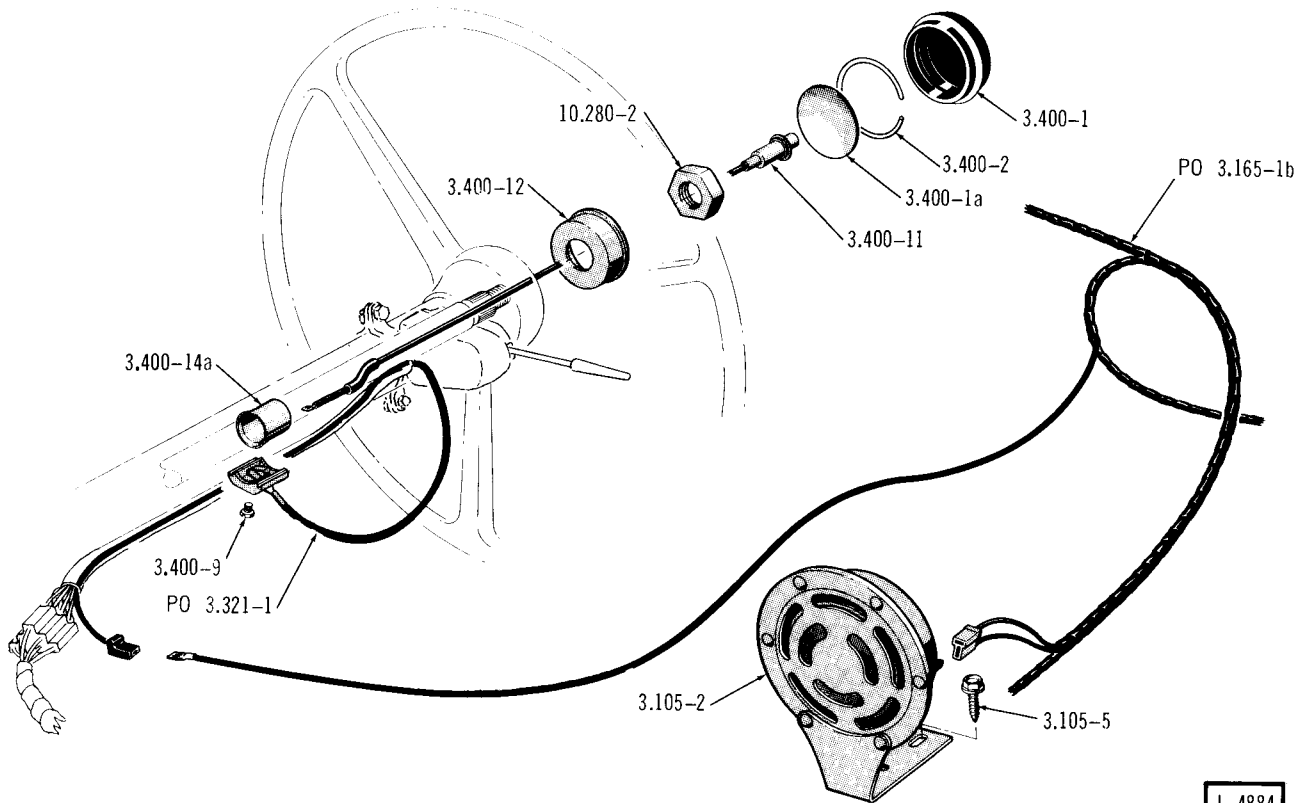
J-5958

STEERING WHEEL AND HORN BUTTON (WITH SPORT WHEEL)

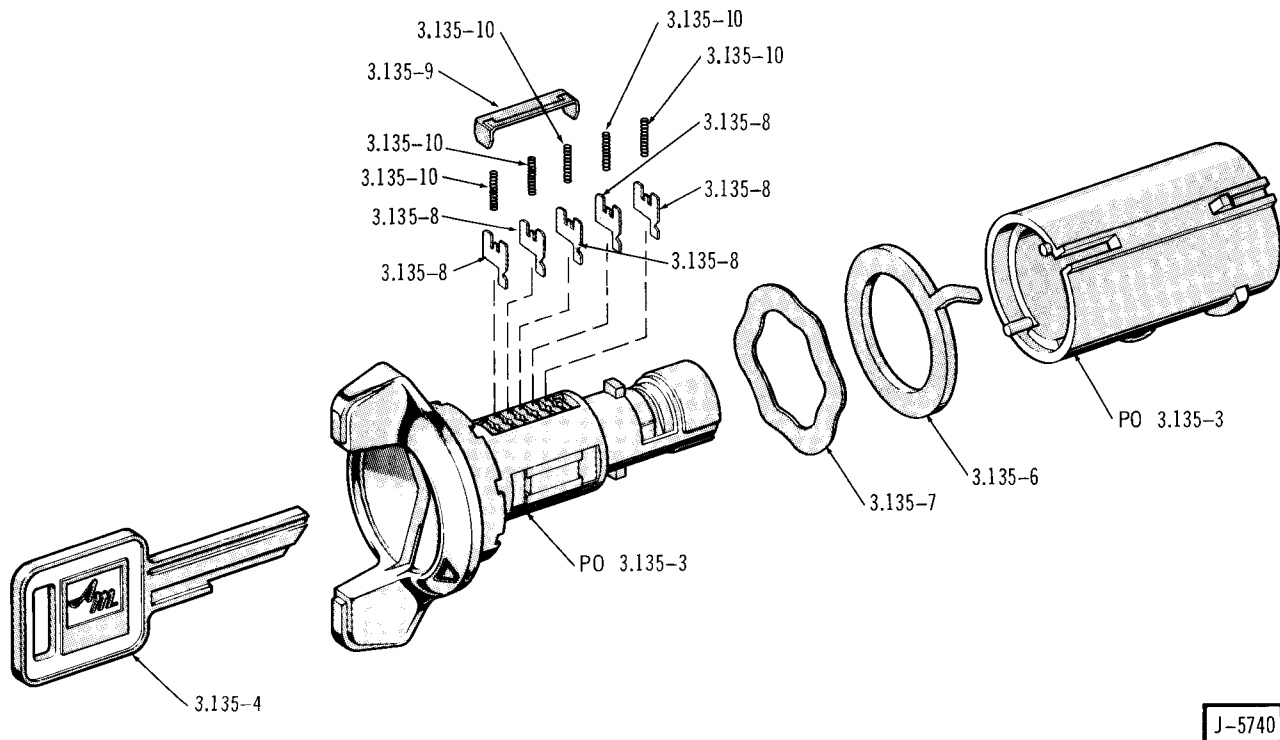


J-6026

STEERING WHEEL AND HORN BUTTON . . . 1976 80-90

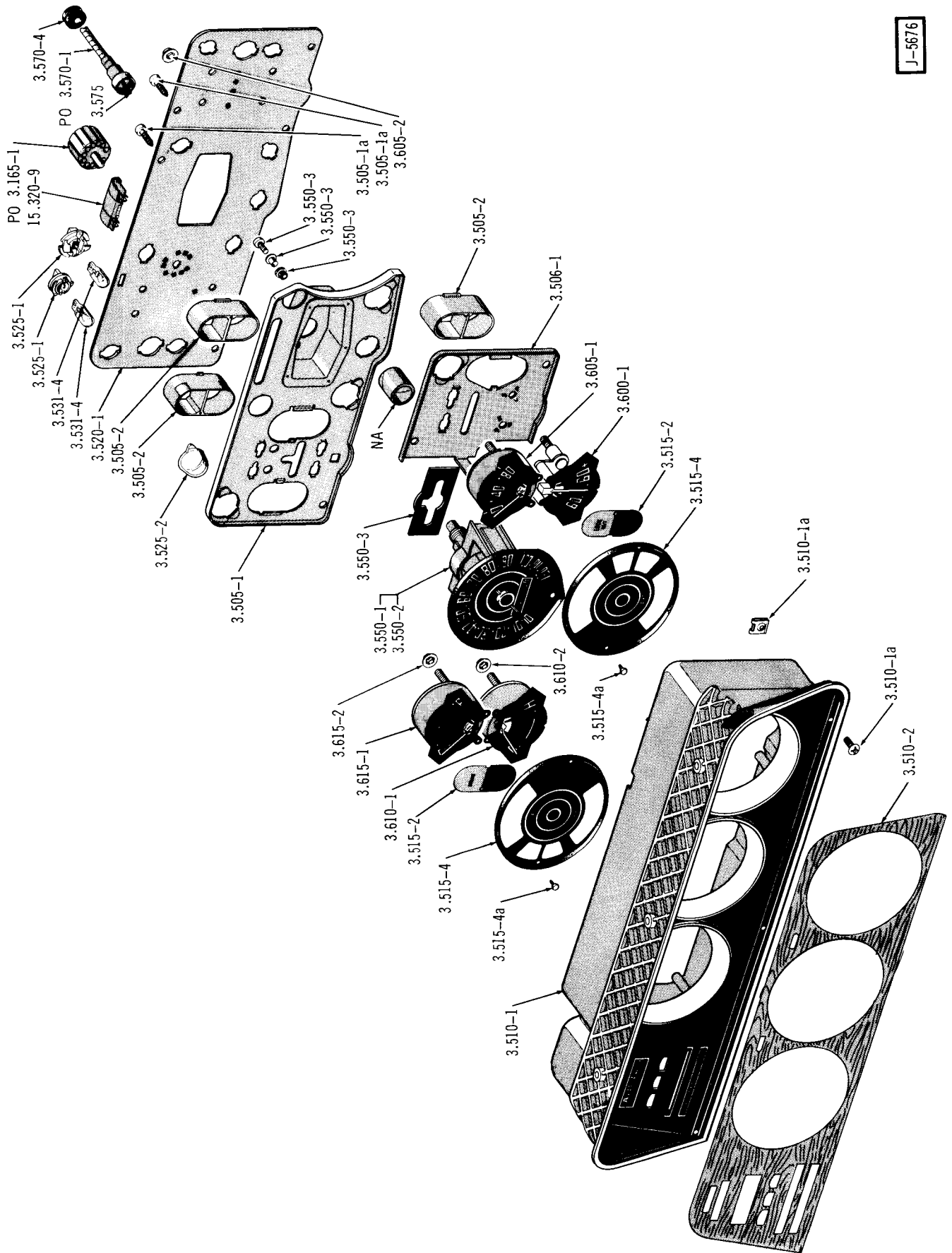


HORN AND HORN BUTTON . . . 1974/1975 80

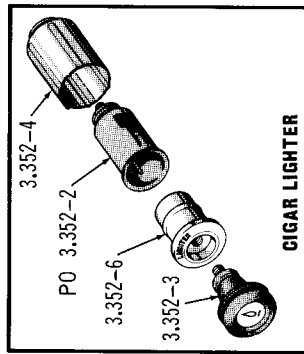
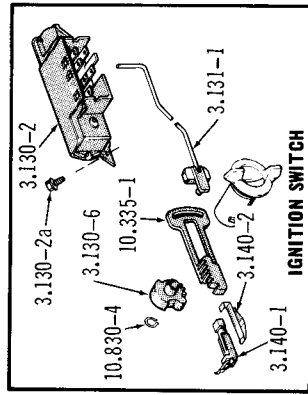
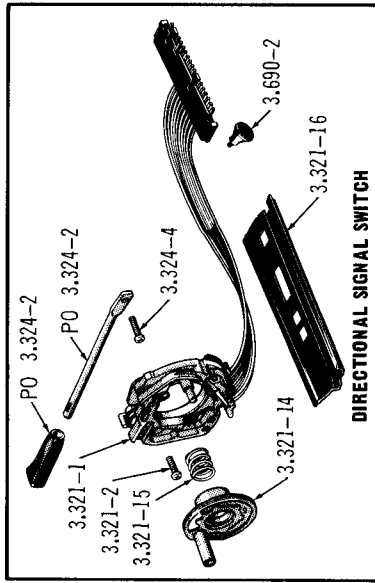


IGNITION SWITCH LOCK CYLINDER . . . 10-20-40 (LHD), 1976 80-90

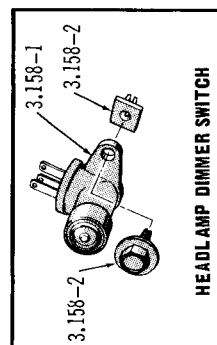
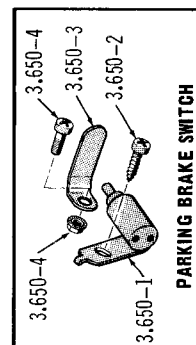
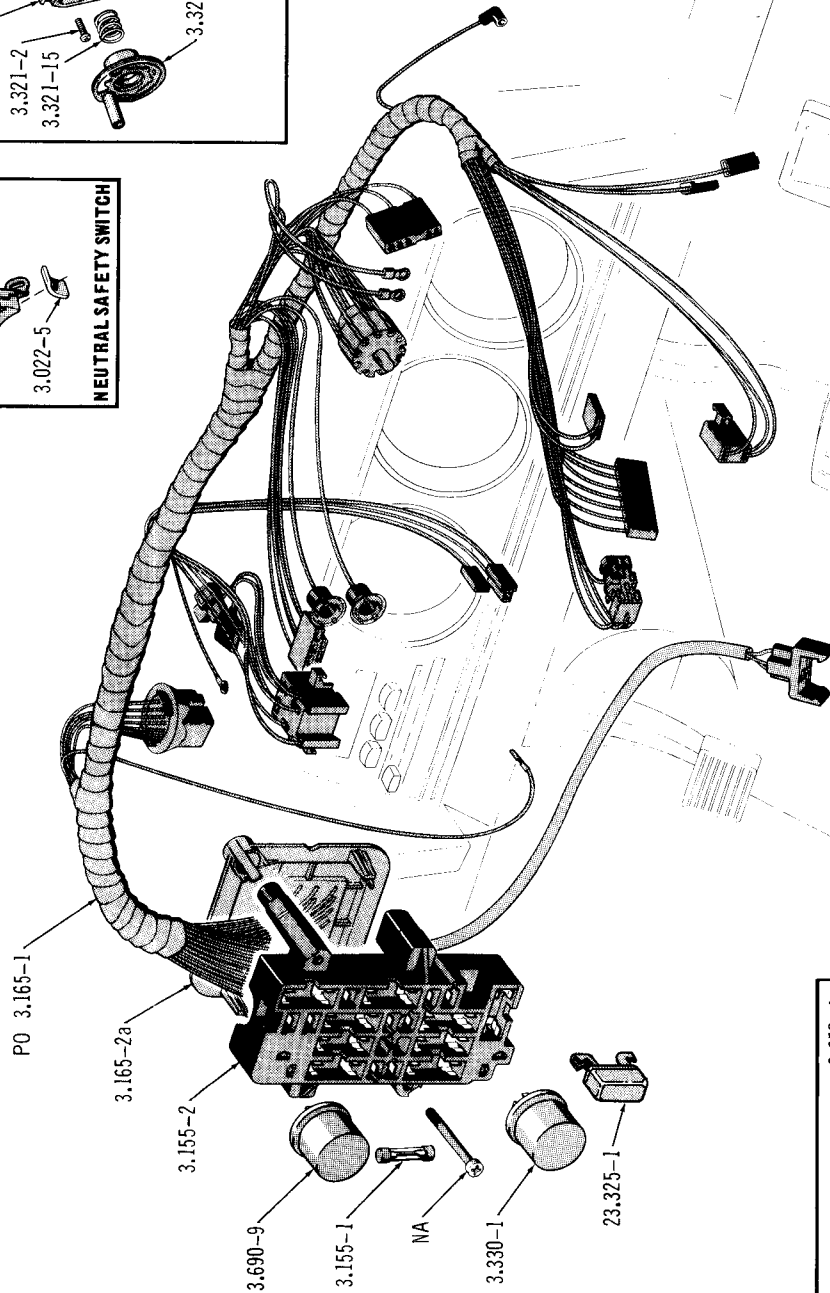
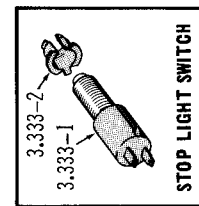
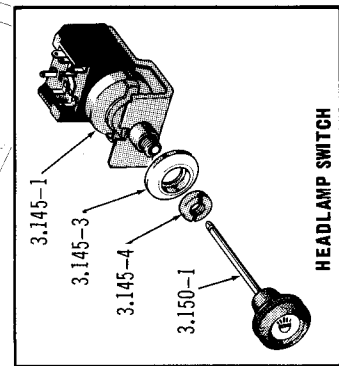
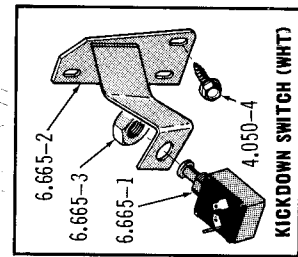
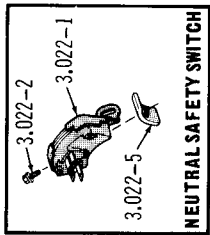
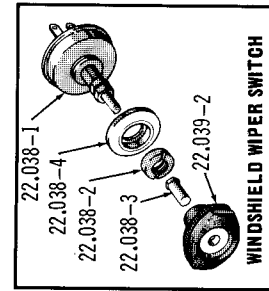
J-5676



INSTRUMENT CLUSTER . . . 10-20-40



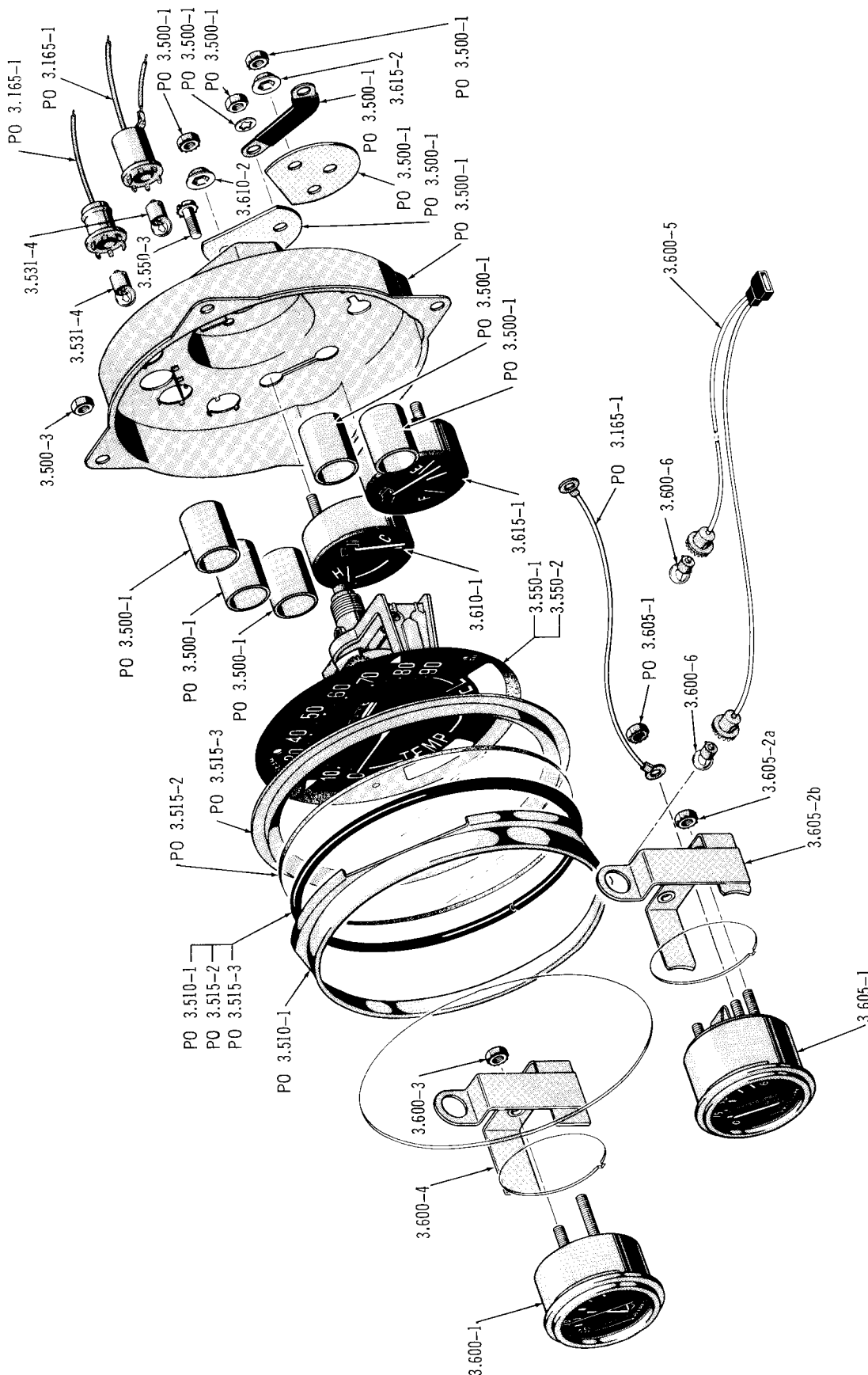
J-5959



INSTRUMENT PANEL HARNESS AND ELECTRICAL COMPONENTS... 10-20-40

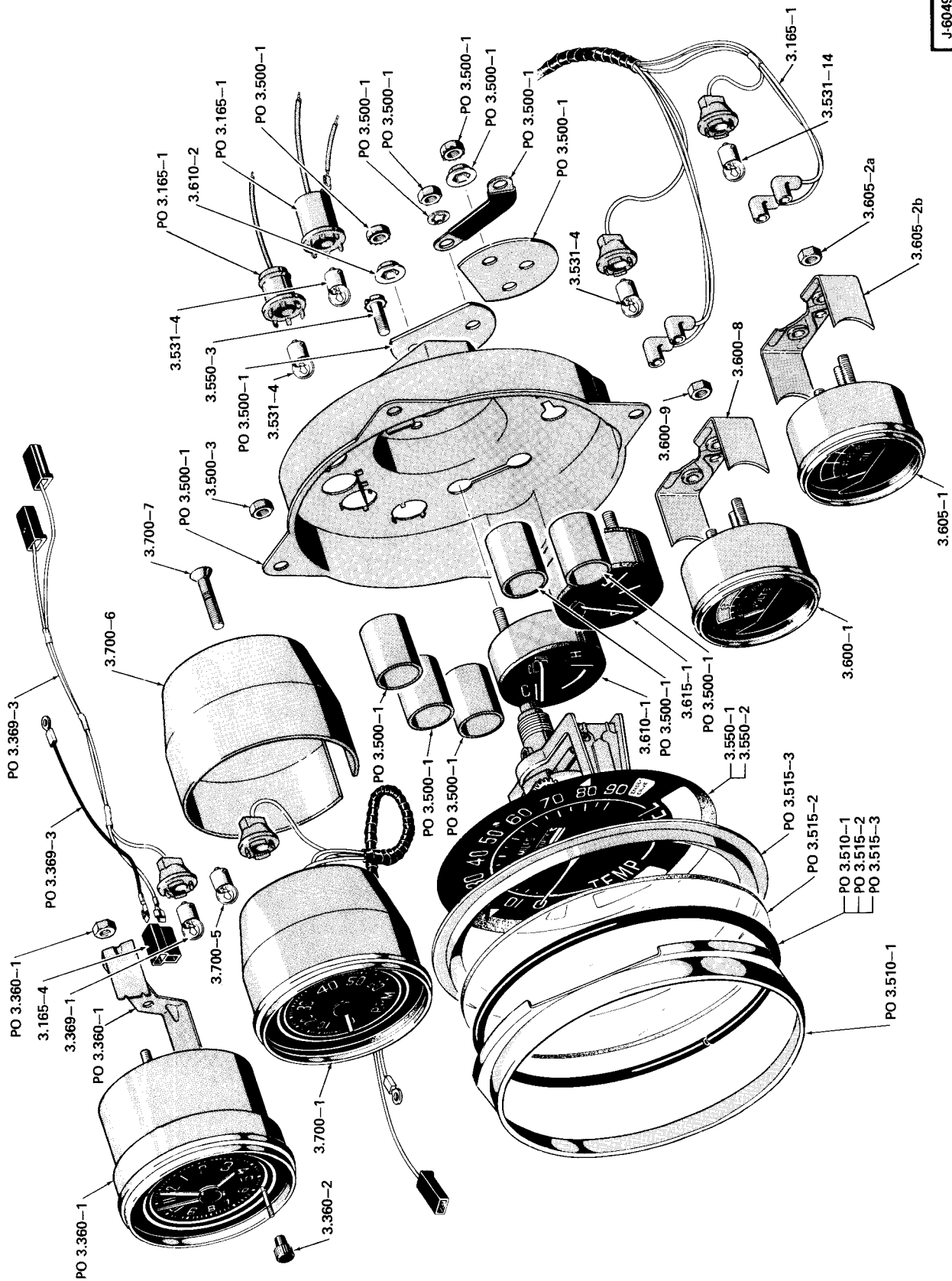


J-4974



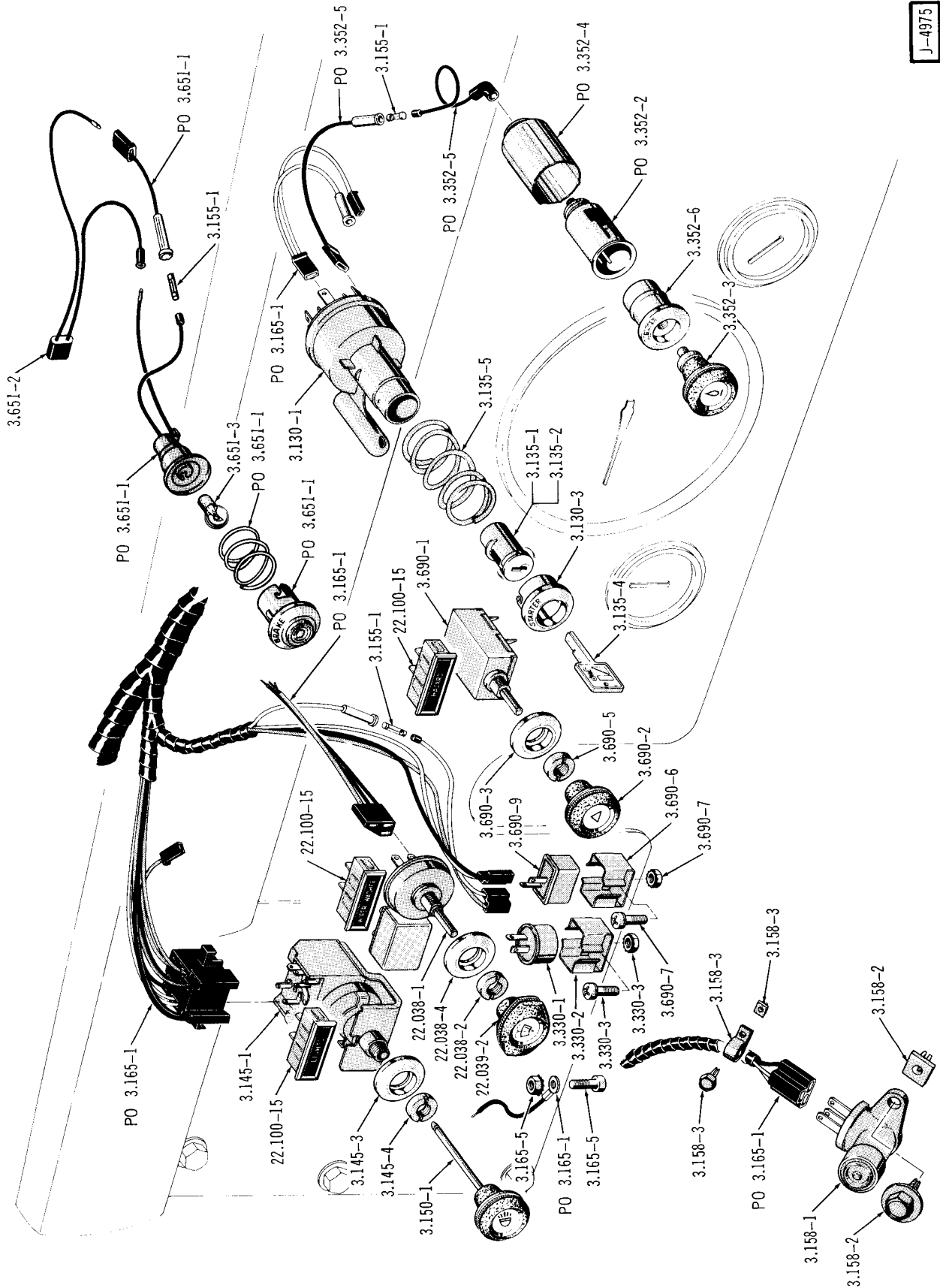
INSTRUMENT CLUSTER, AMMETER AND OIL PRESSURE GAUGE ... 1974/1975 80

J-6049



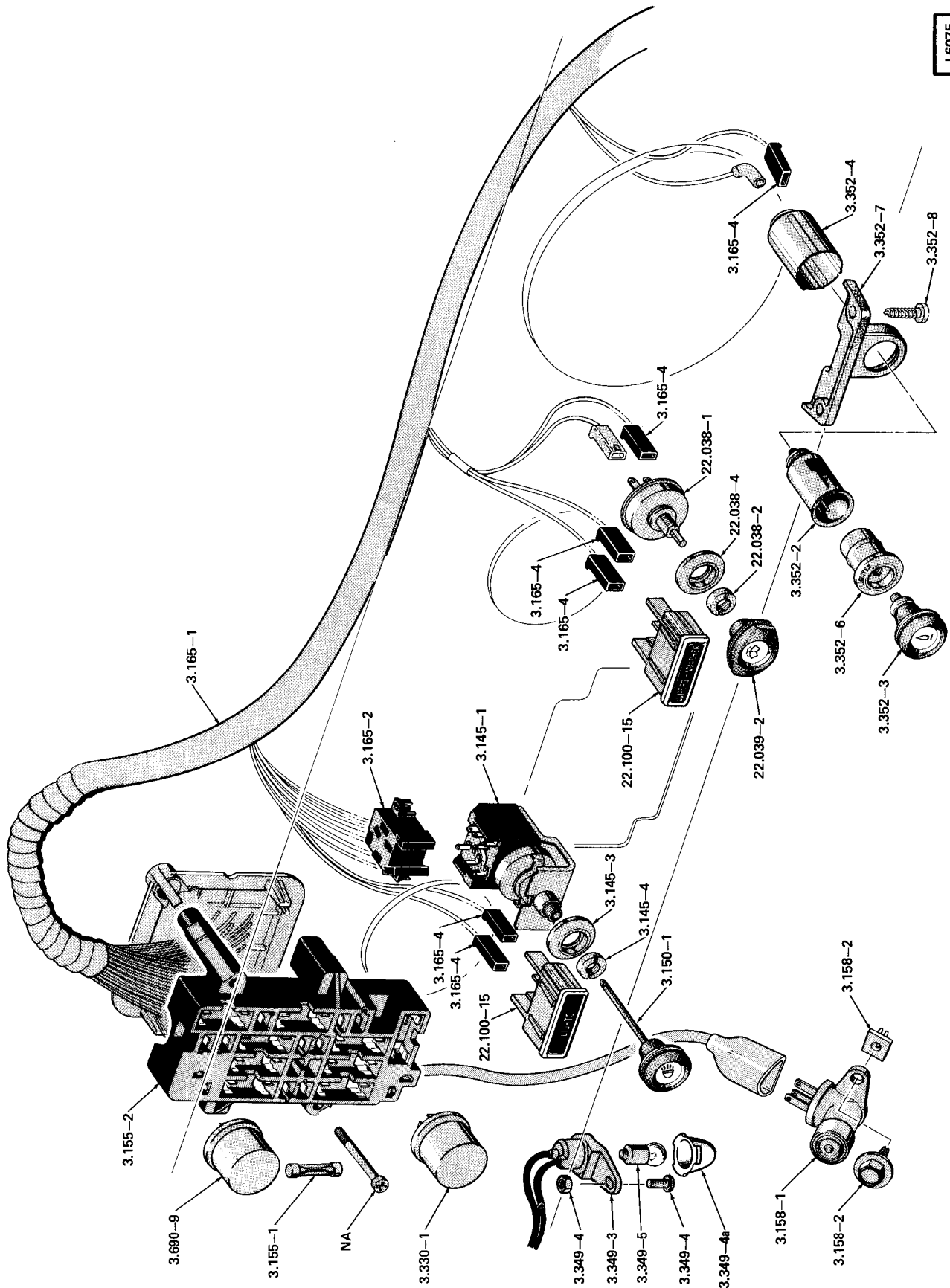
INSTRUMENT CLUSTER AND GAUGES . . . 1976 80-90

J-4975

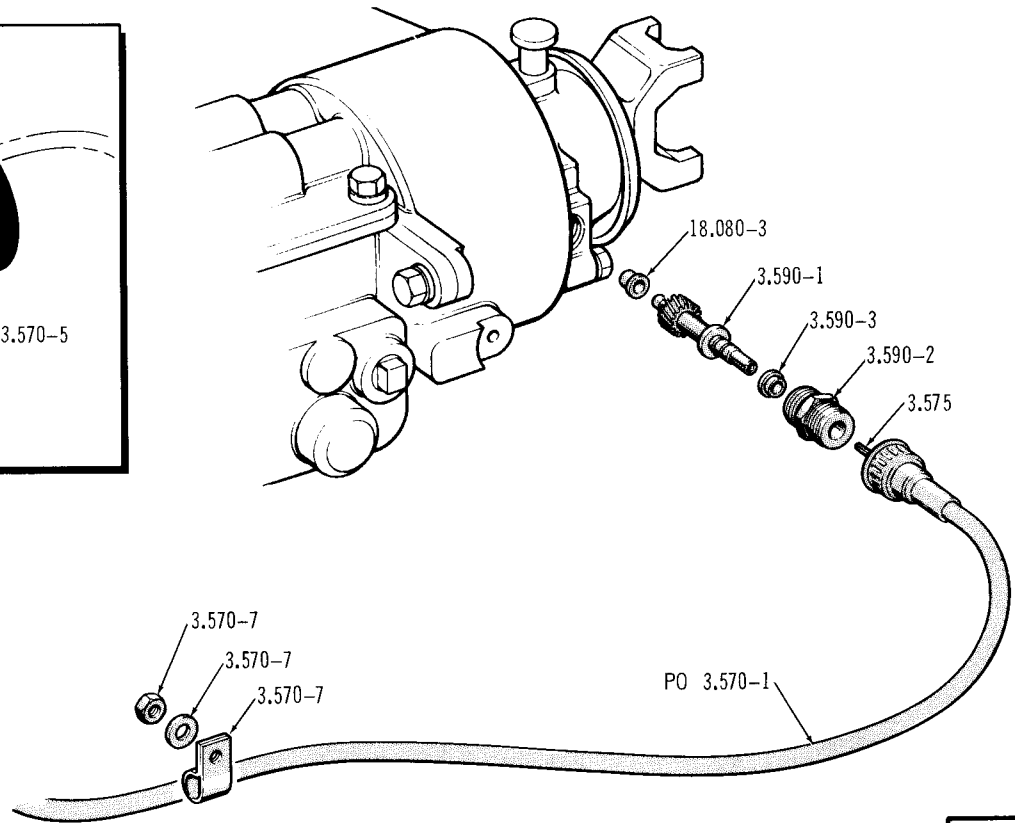
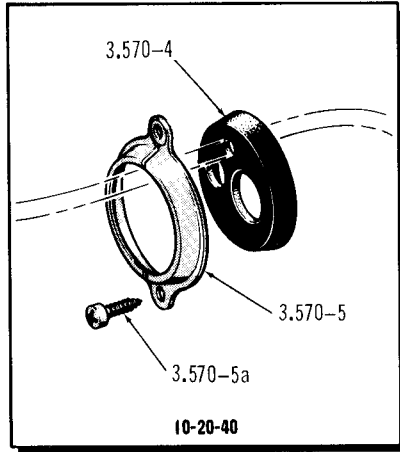


INSTRUMENT PANEL SWITCHES AND ELECTRICAL COMPONENTS . . . 1974/1975 80

J-6075

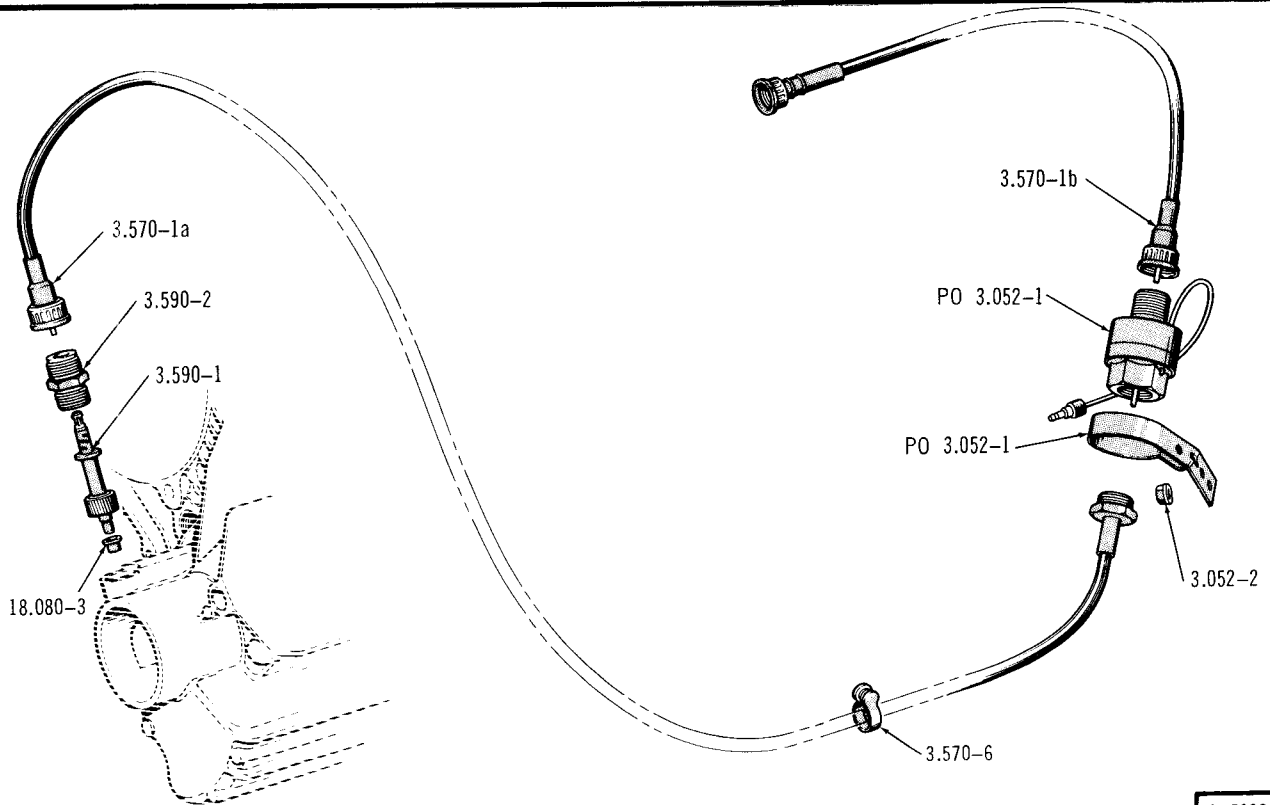


INSTRUMENT PANEL SWITCHES AND ELECTRICAL COMPONENTS . . . 1976 80-90



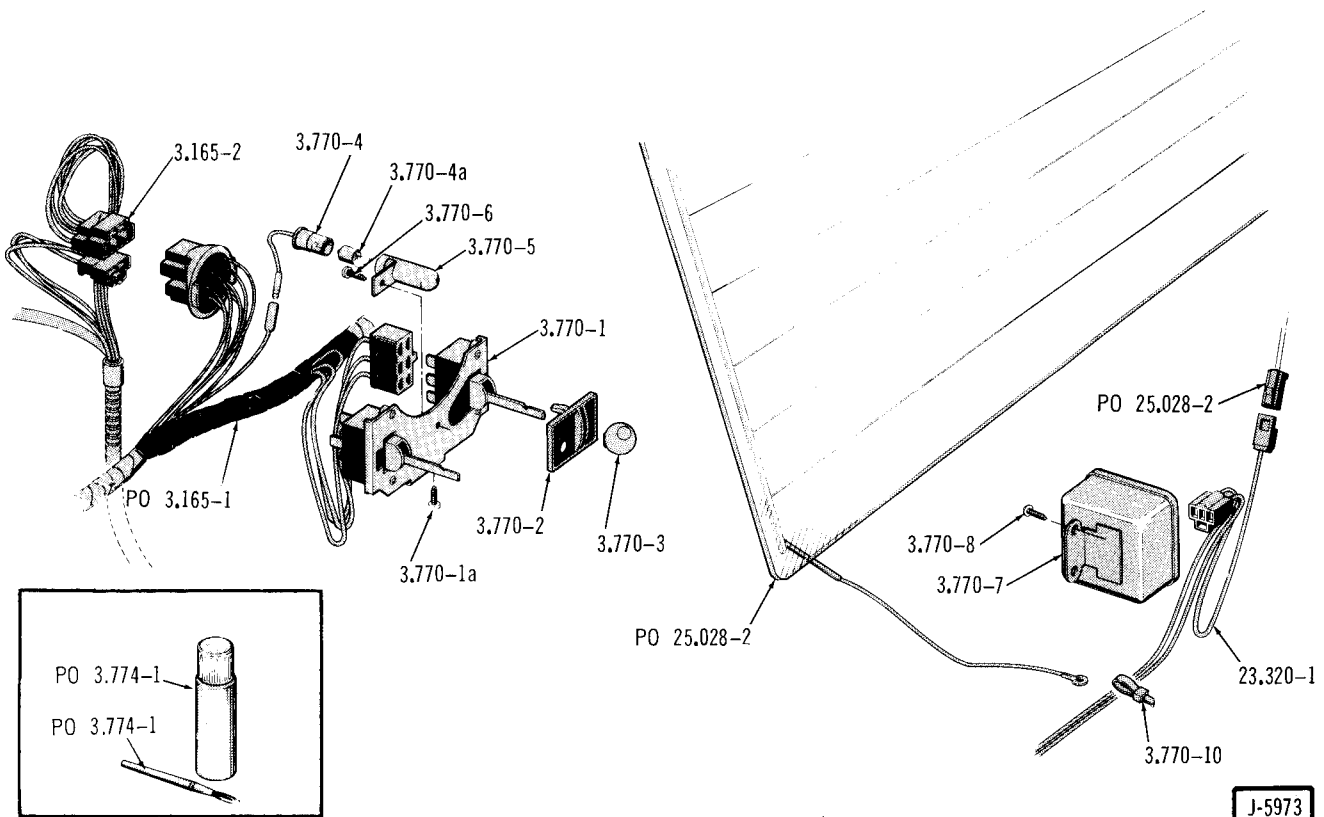
J-5953

SPEEDOMETER CABLE, SLEEVE AND GEAR (LESS SPEEDOMETER CONTROLLED SPARK)



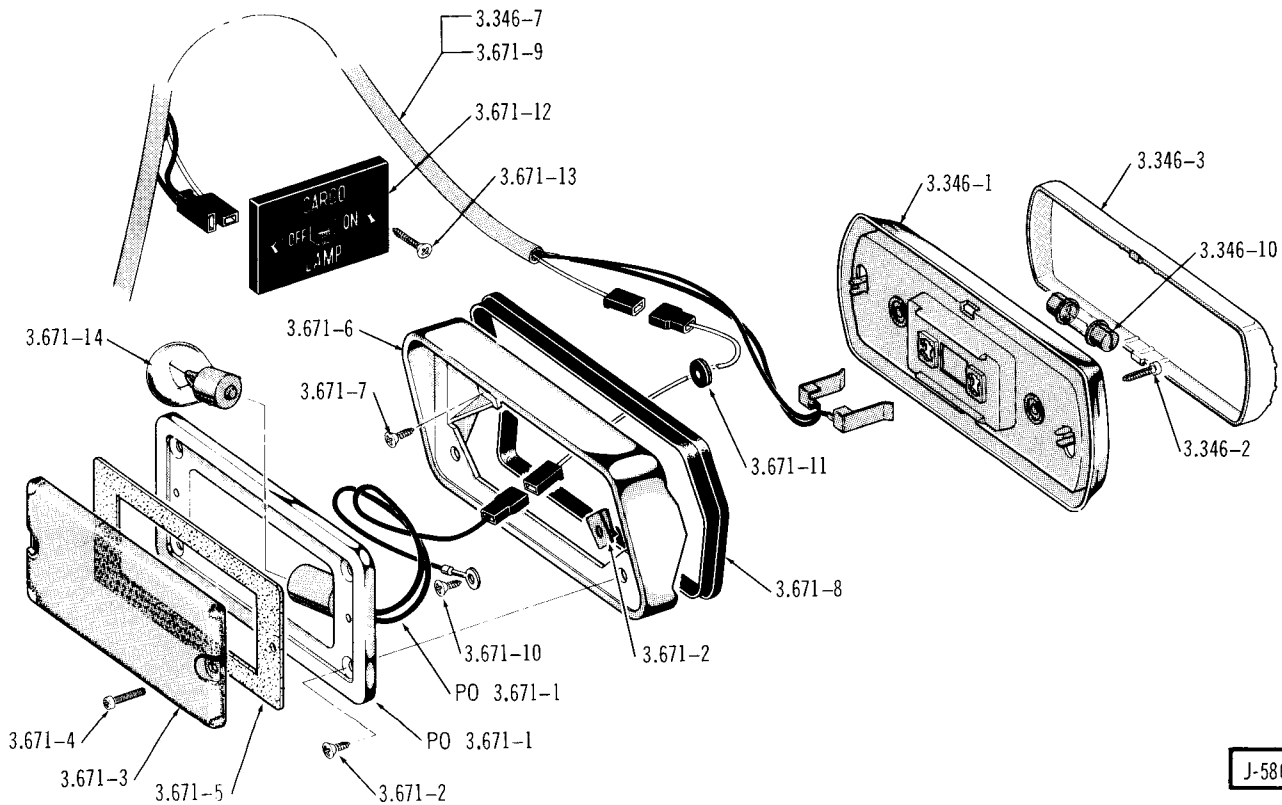
J-5688

SPEEDOMETER CABLES AND SWITCH . . .  
1974 10-20-40 (WHT-W/SPEEDOMETER CONTROLLED SPARK), 1976 90 (CALIF.-WHT)



HEATED REAR WINDOW . . . 1975/ 10

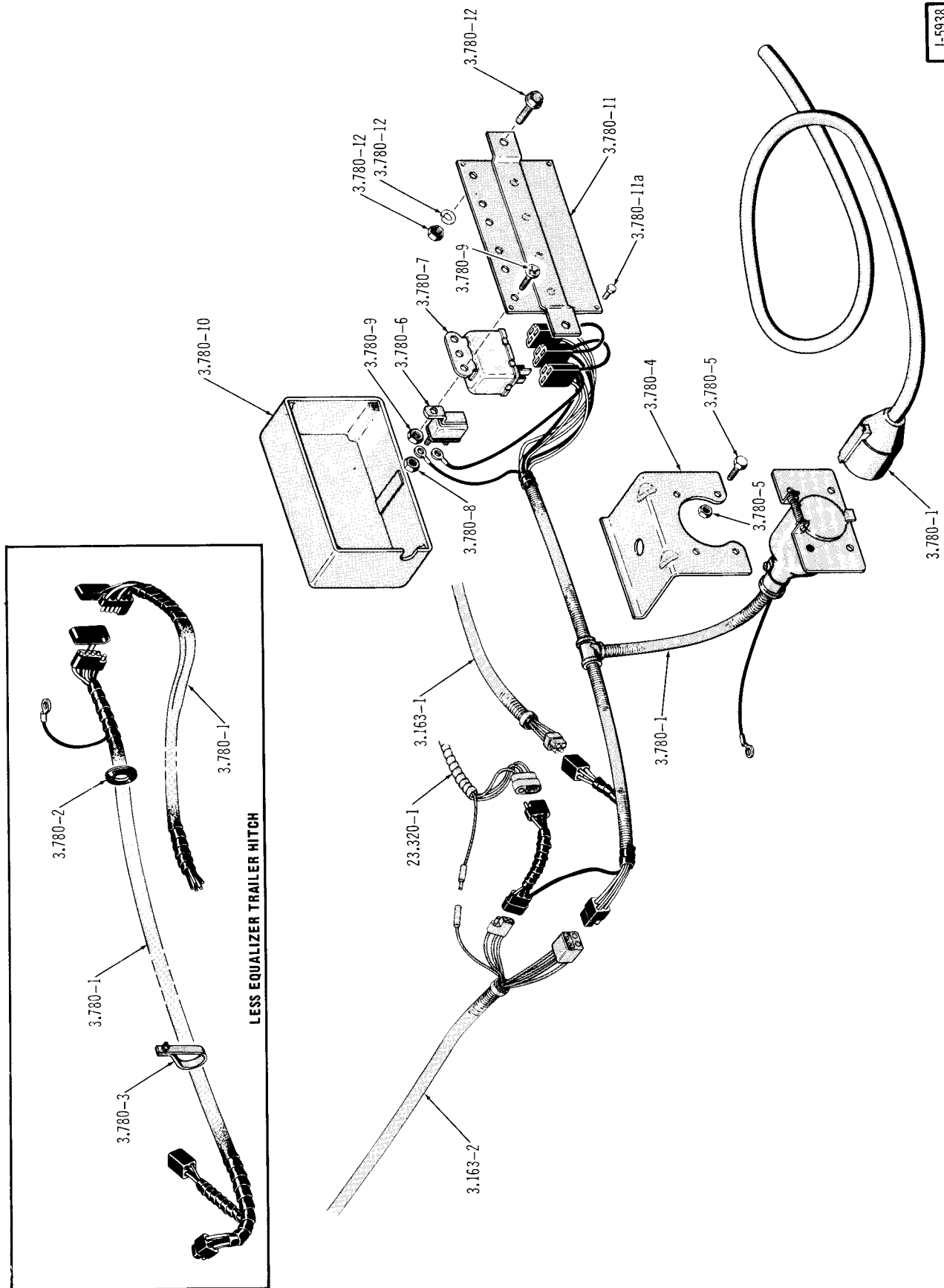
J-5973



CARGO LAMP AND DOME LAMP . . . 20-40

J-5862

J-5938



TRAILER TOWING HARNESS AND ATTACHING PARTS... 10

