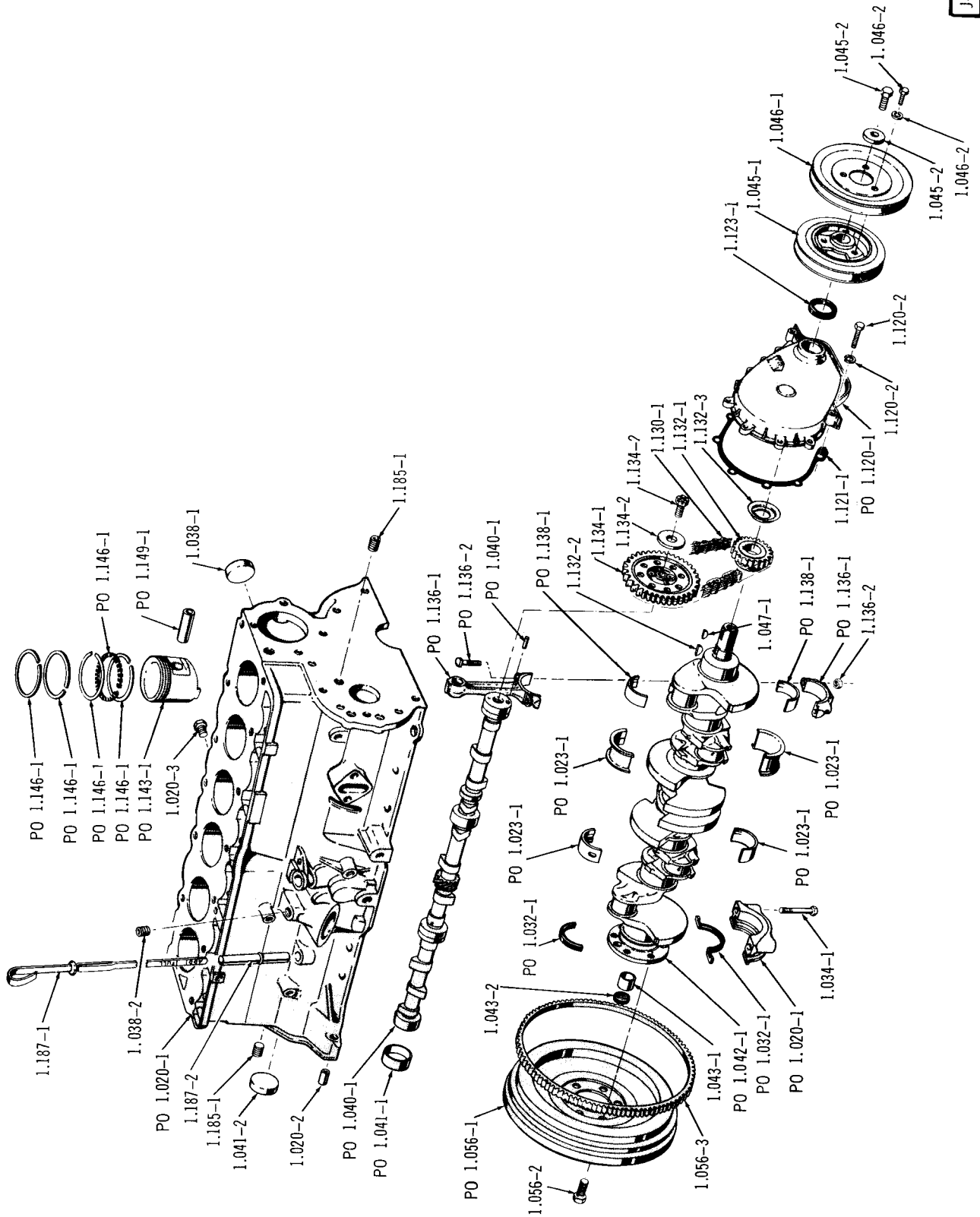
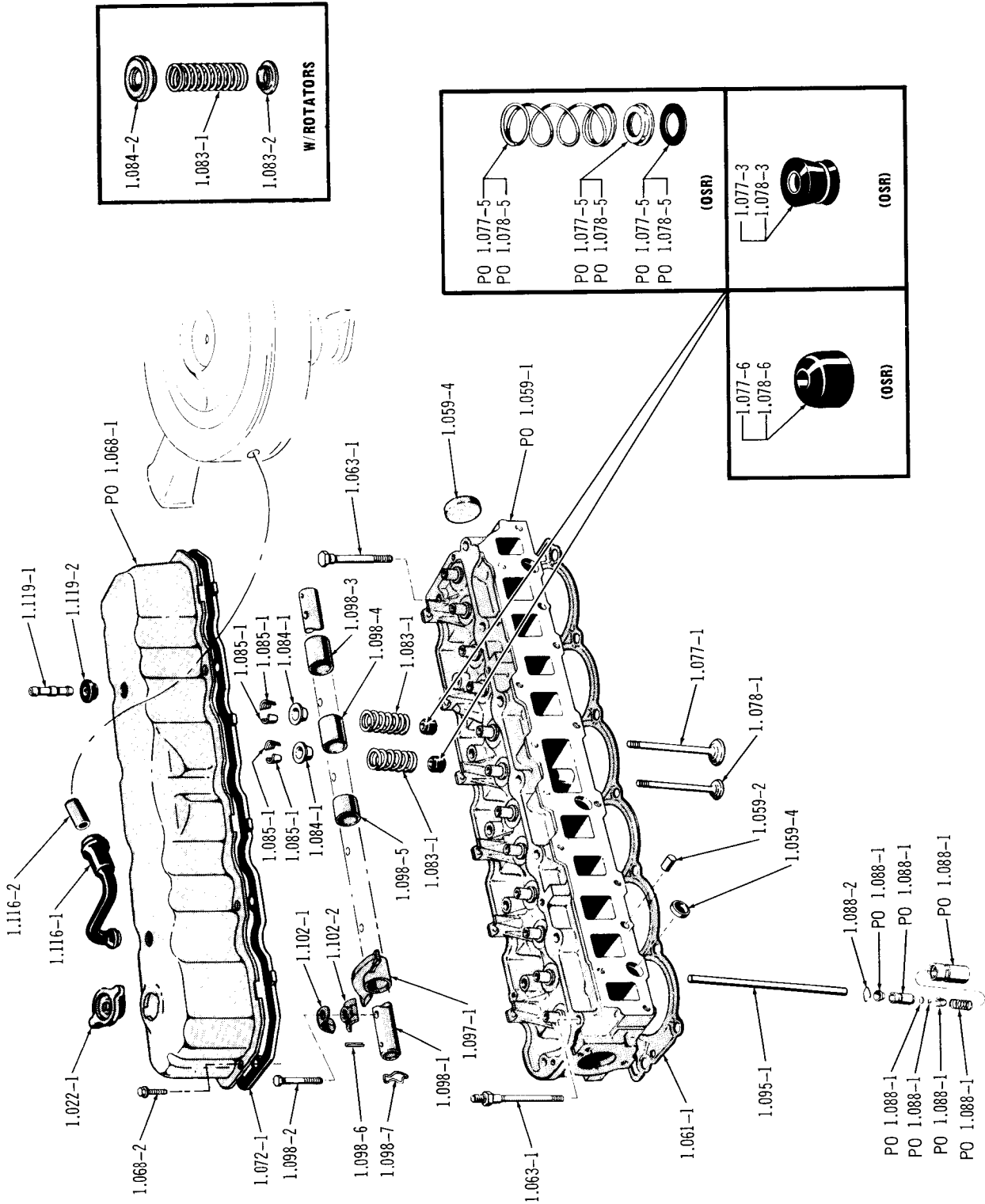


J-4325

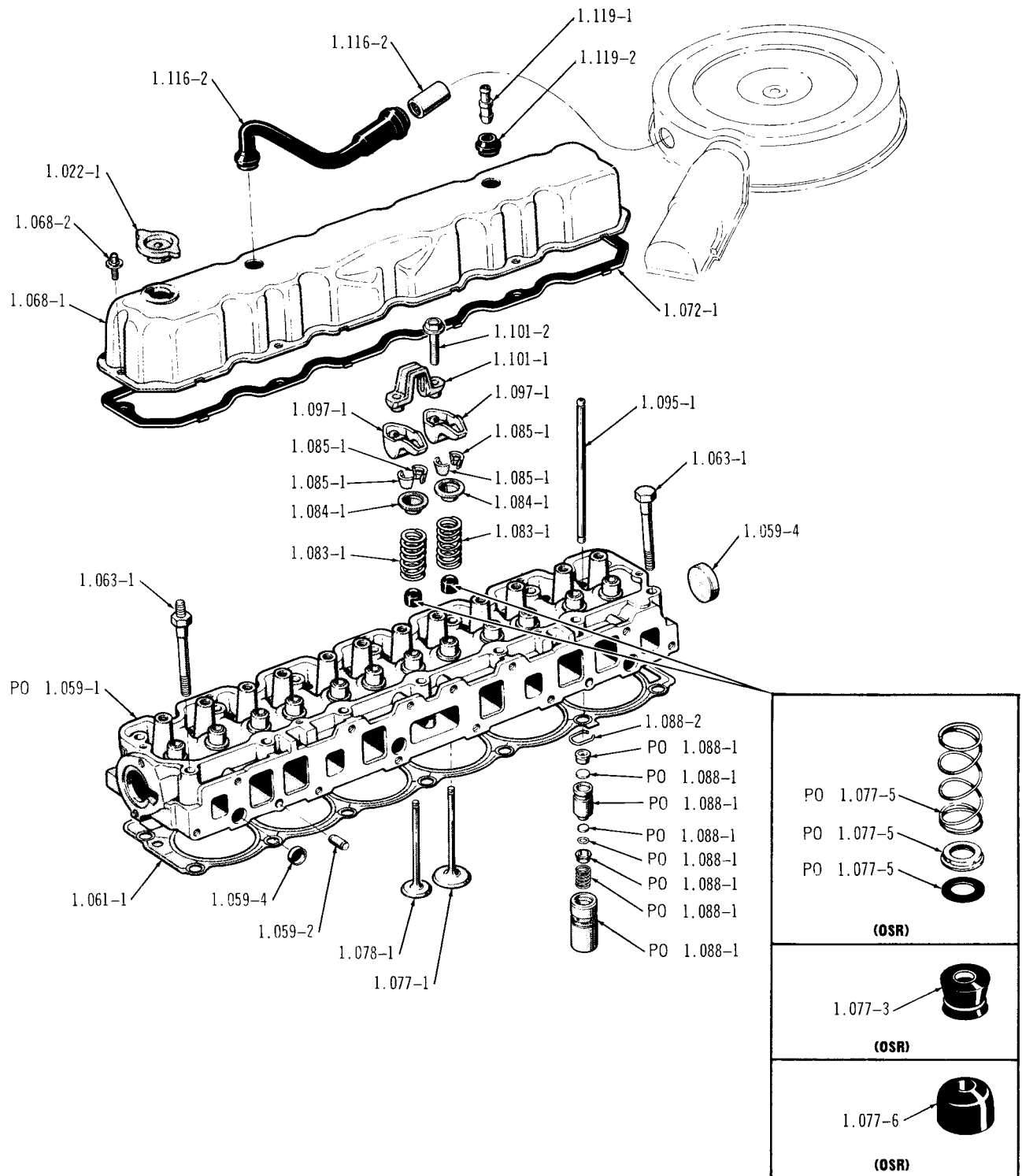


CYLINDER BLOCK, CRANKSHAFT AND CAMSHAFT ... SIX

J-5826



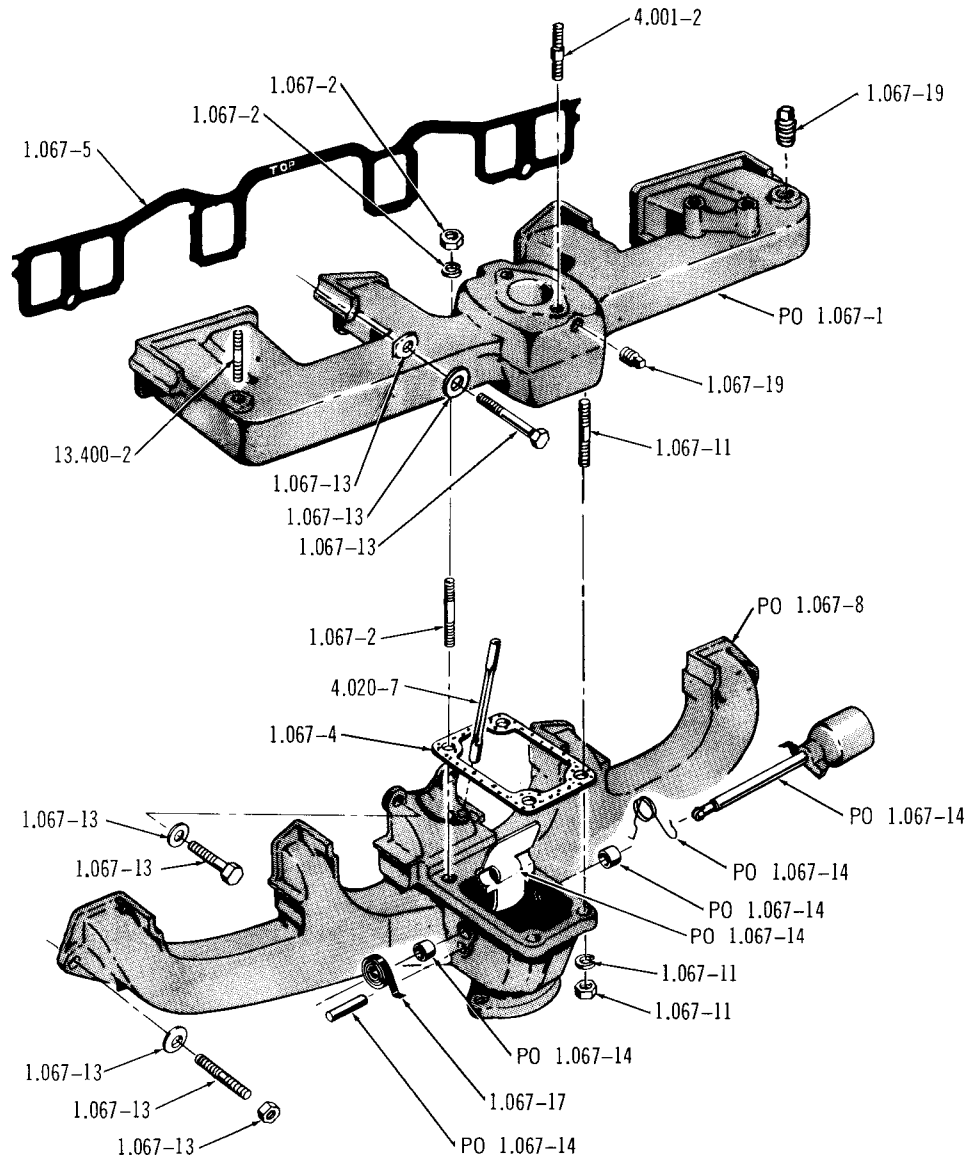
CYLINDER HEAD (WITH CAST TYPE ROCKER ARM) . . . SIX



CYLINDER HEAD (WITH STAMPED TYPE ROCKER ARM) . . . SIX

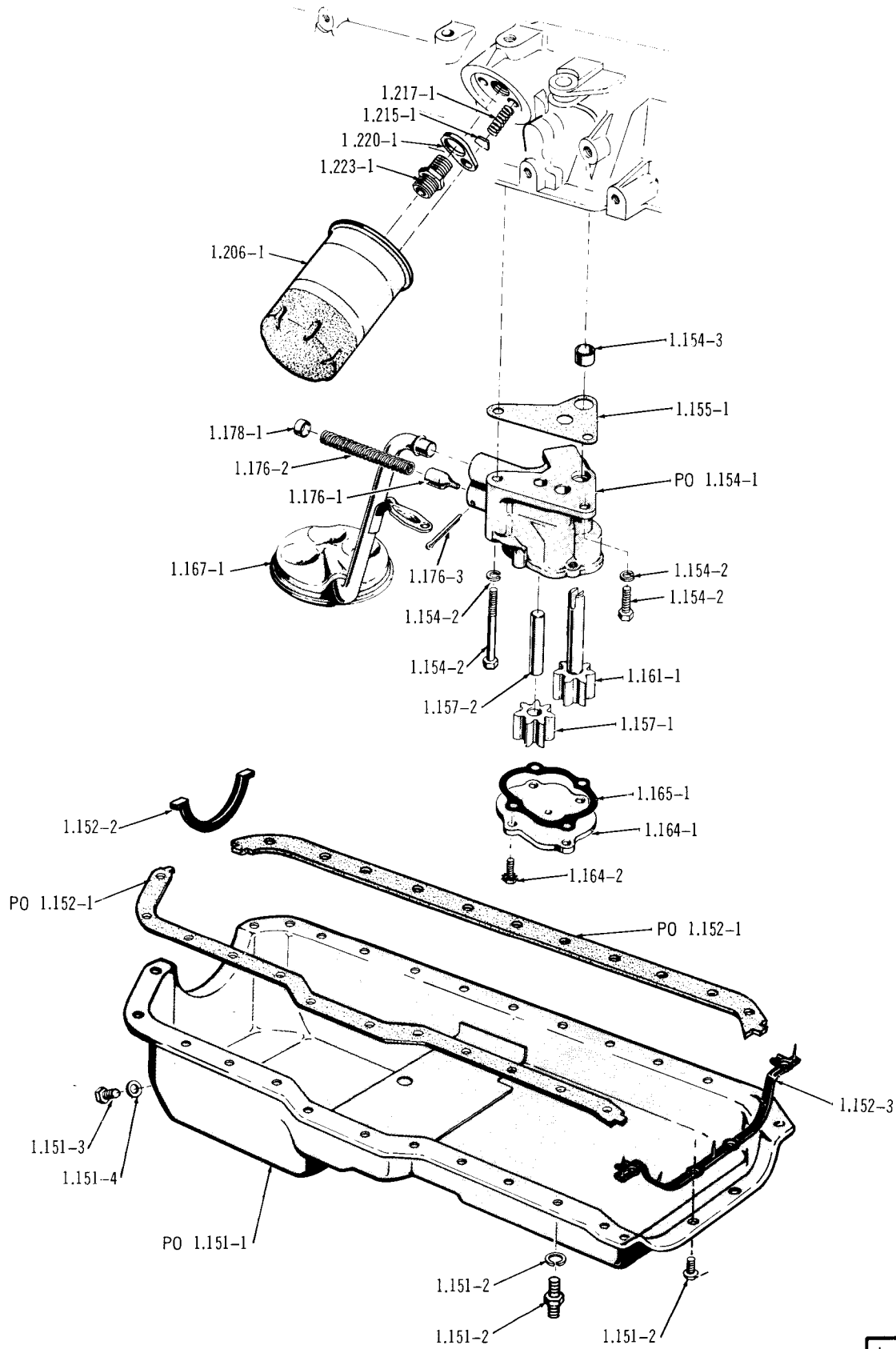
J-5997





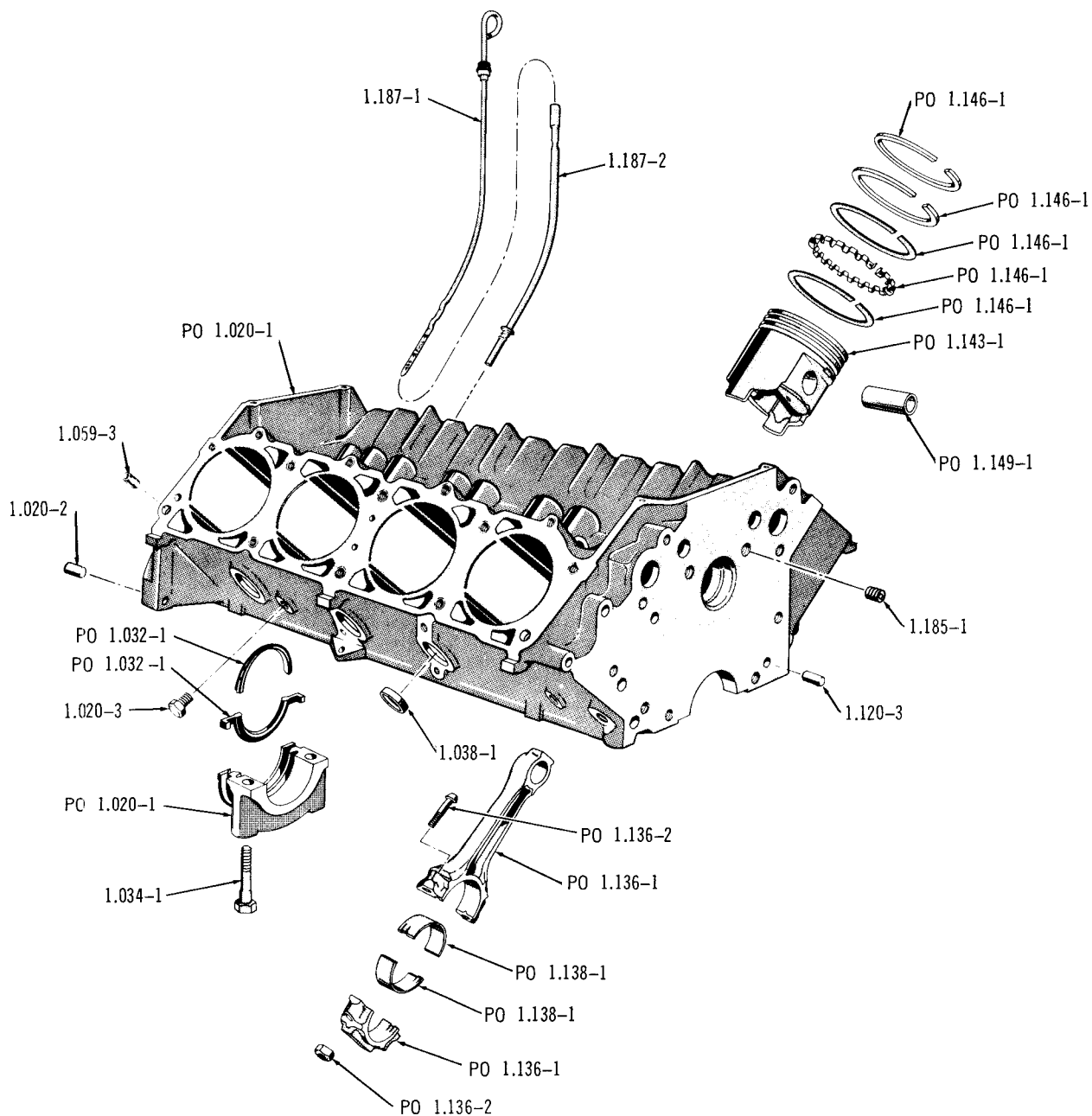
J-4327

MANIFOLDS . . . SIX



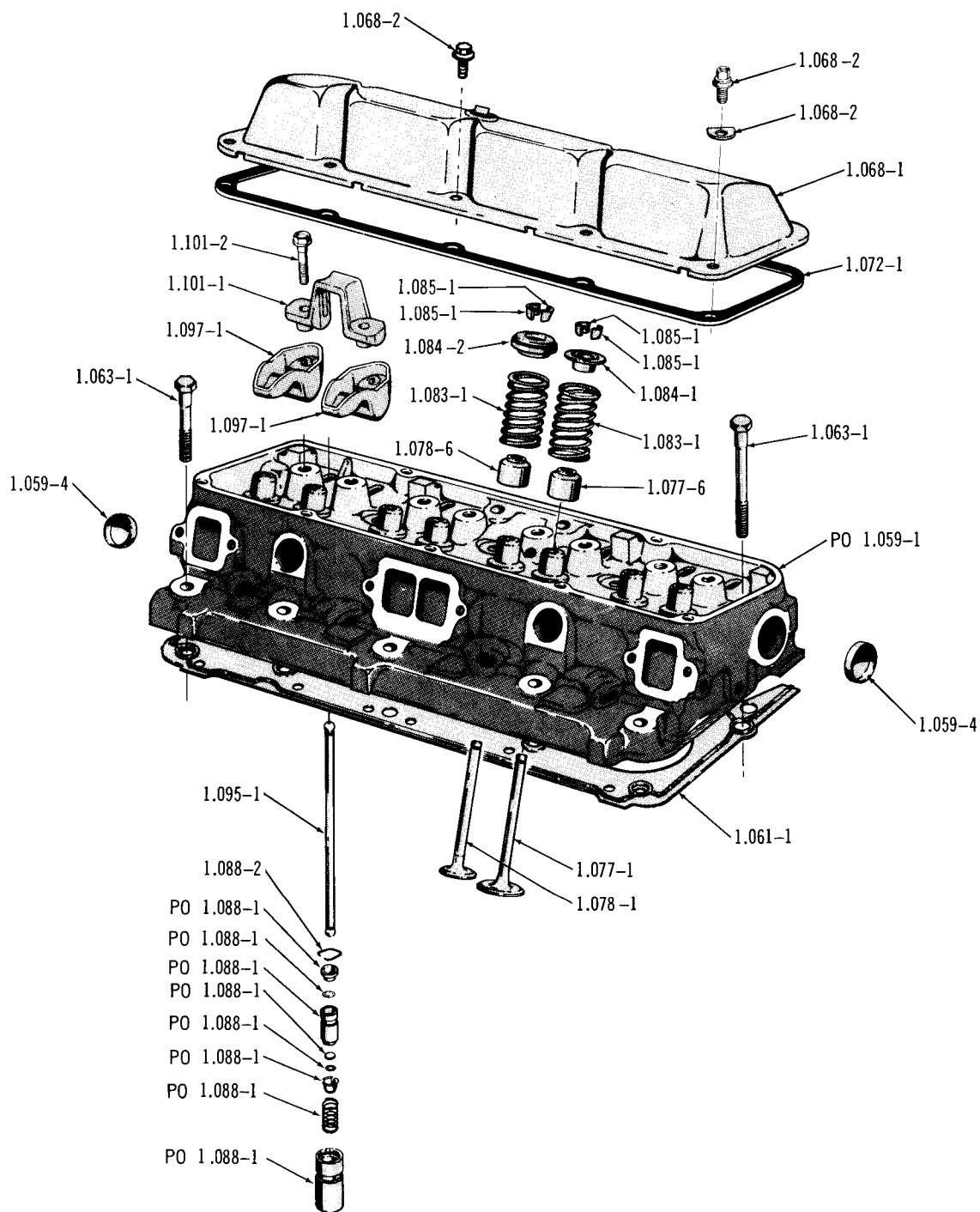
J-4328

OIL PAN, OIL PUMP AND FILTER ... SIX



J-4315

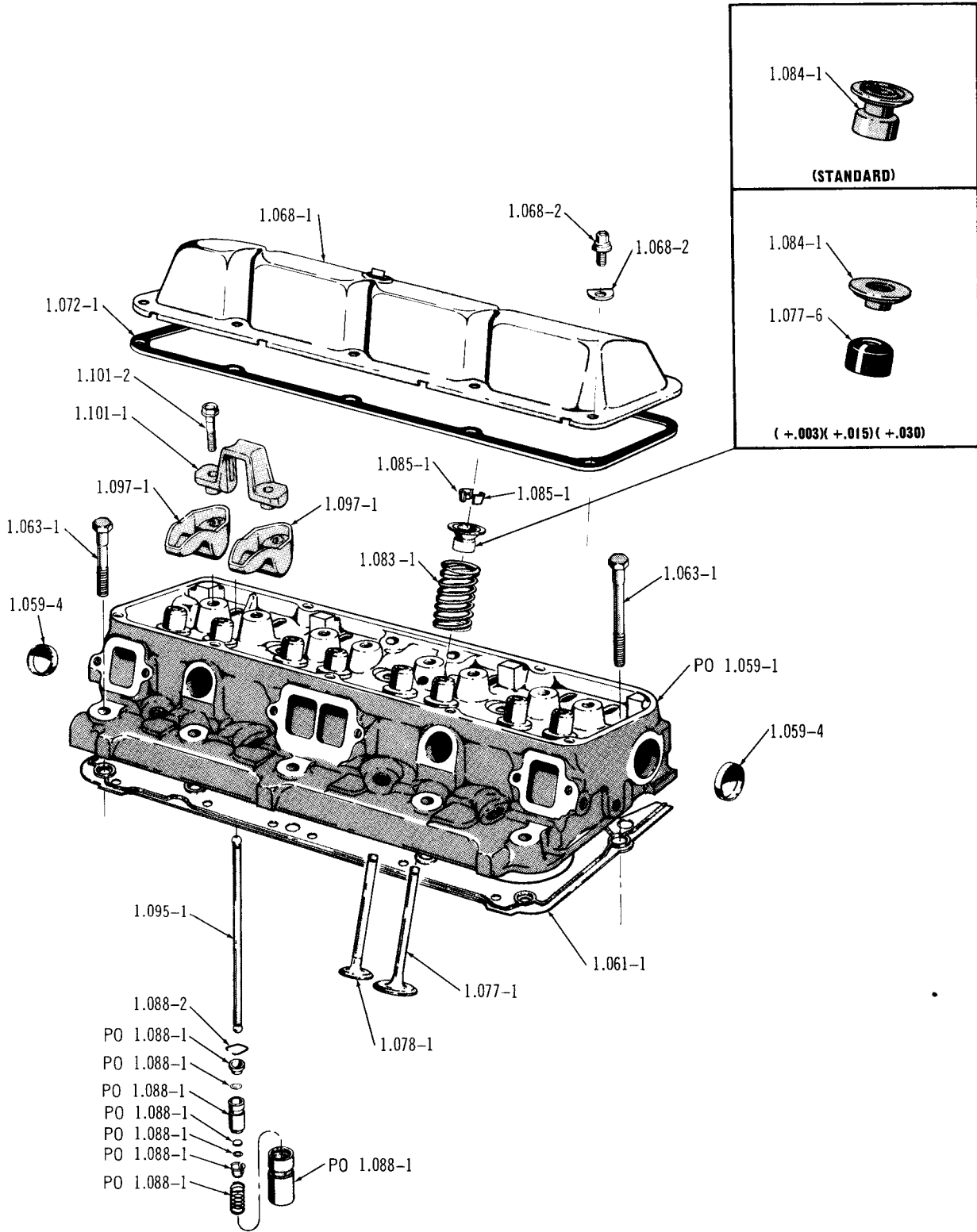
CYLINDER BLOCK ... V8



J-5693

CYLINDER HEAD, VALVES AND COVER . . . 360-401 (EXCEPT HEAVY DUTY)



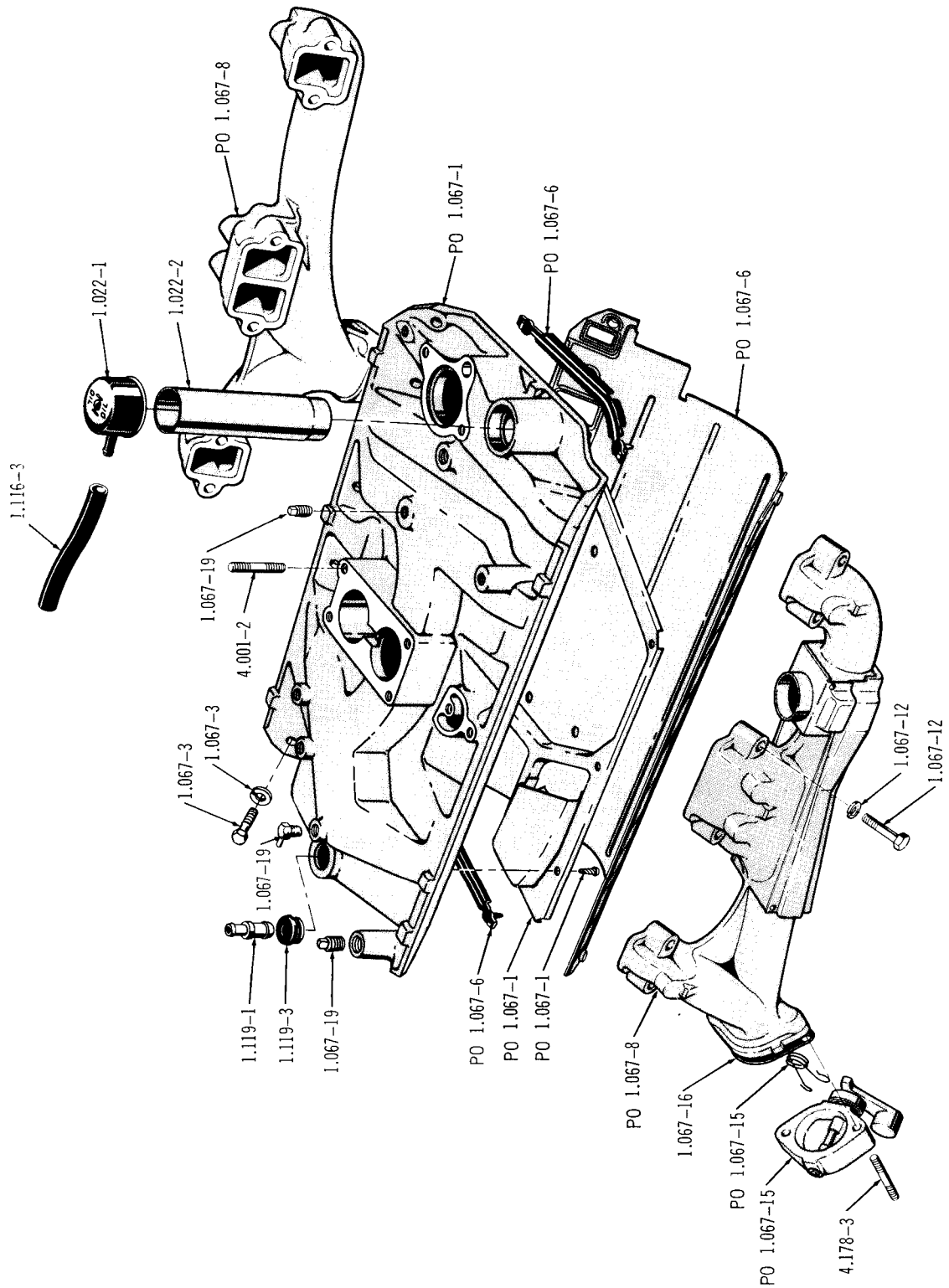


J-4952

CYLINDER HEAD, VALVES AND COVER . . . 304, 360-401 (HEAVY DUTY)

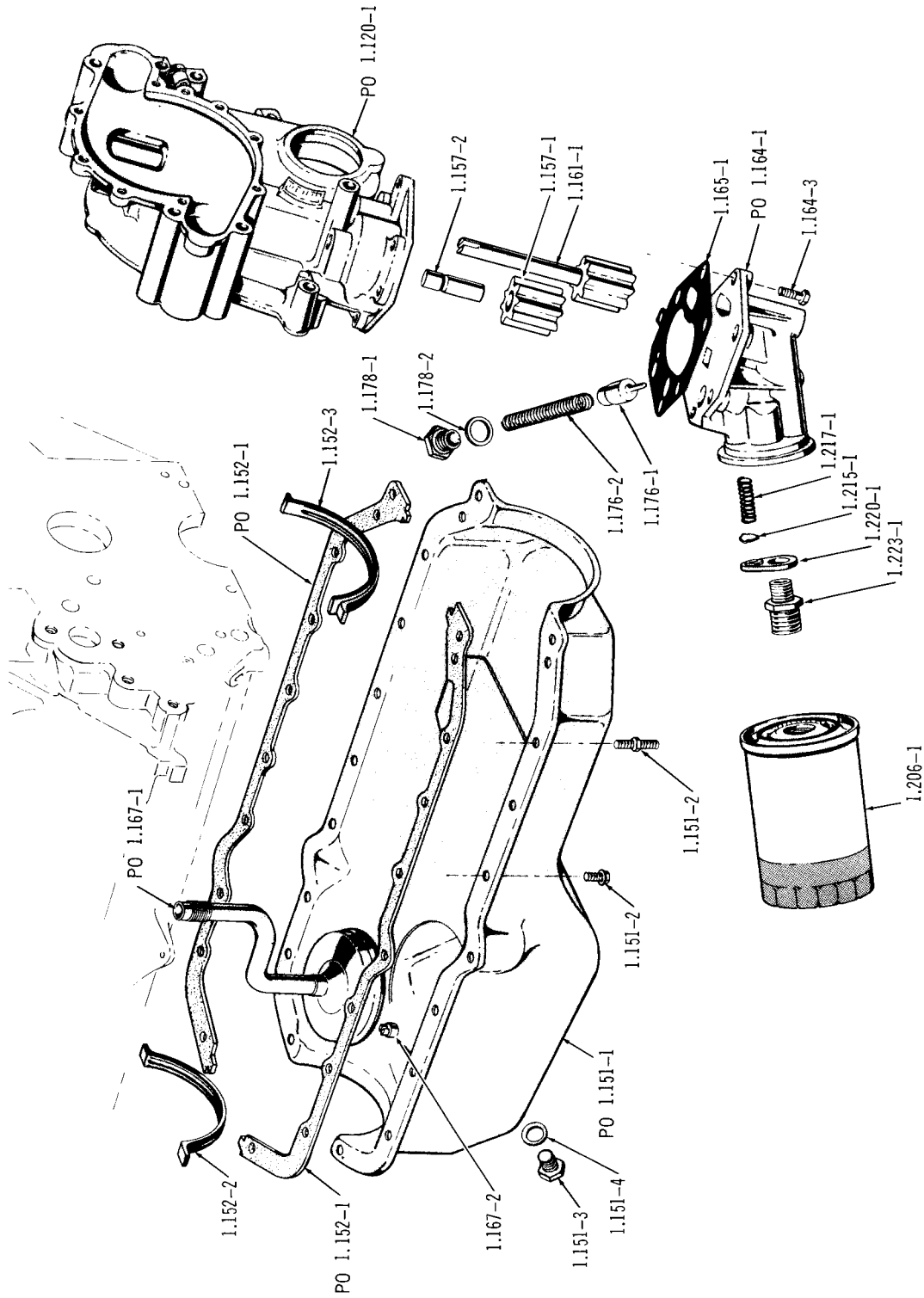


J-5636

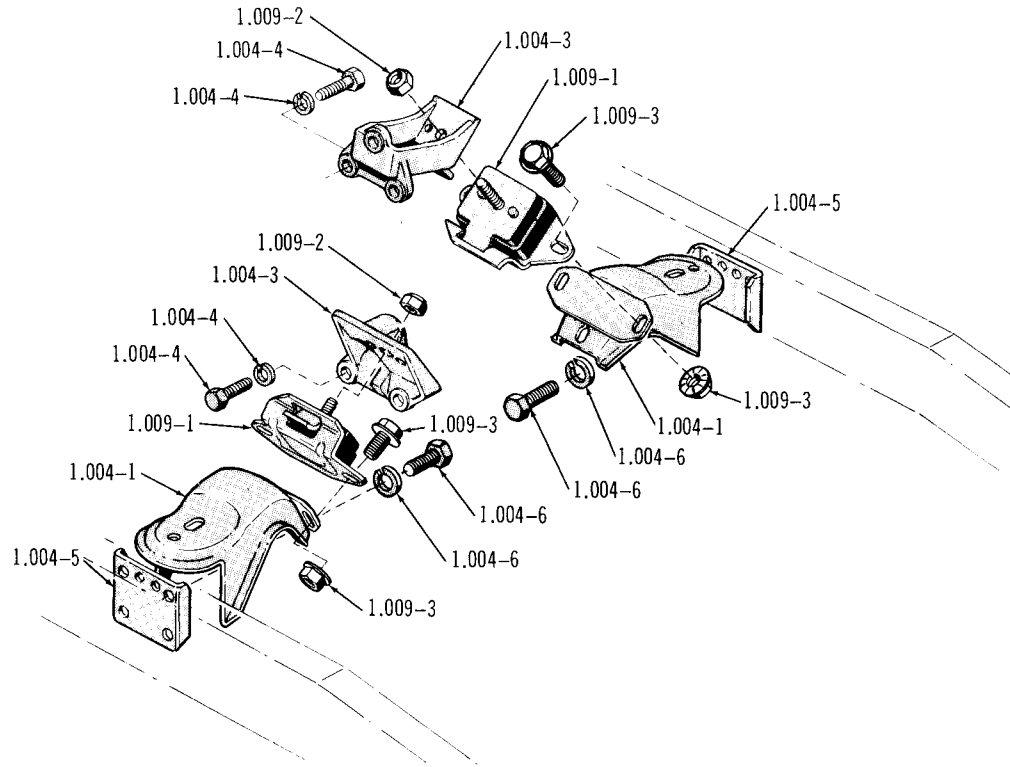


MANIFOLDS . . . V8

J-4314

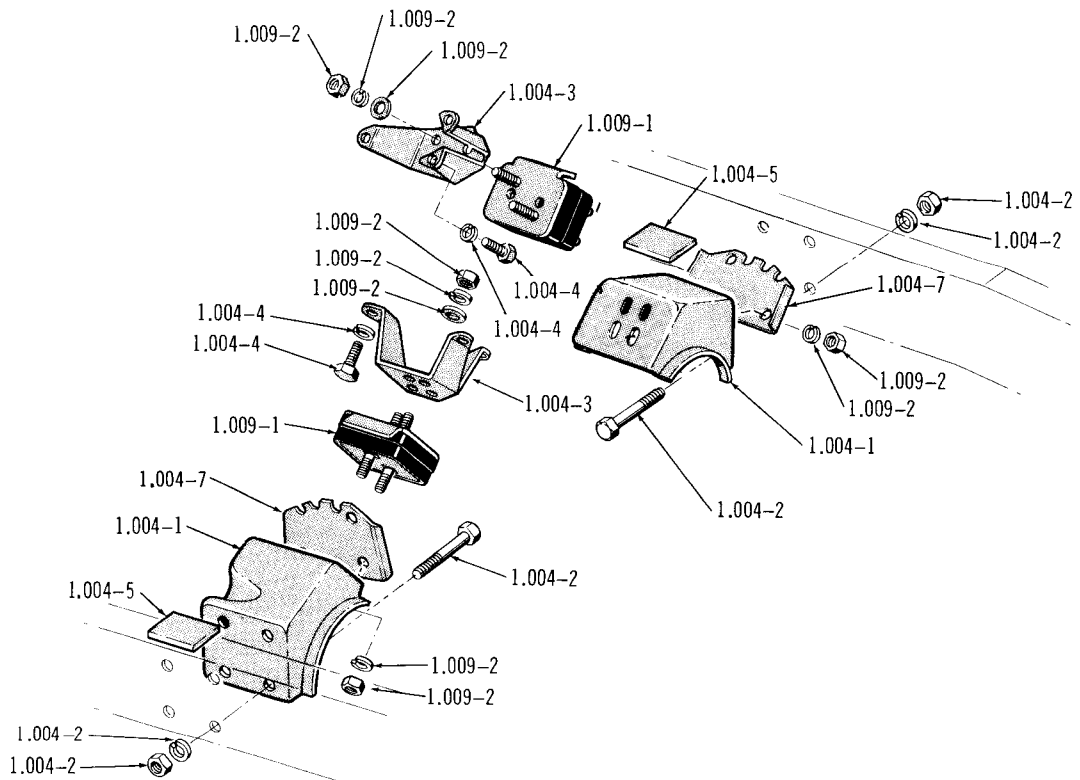


OIL PAN, OIL PUMP AND FILTER ... V8



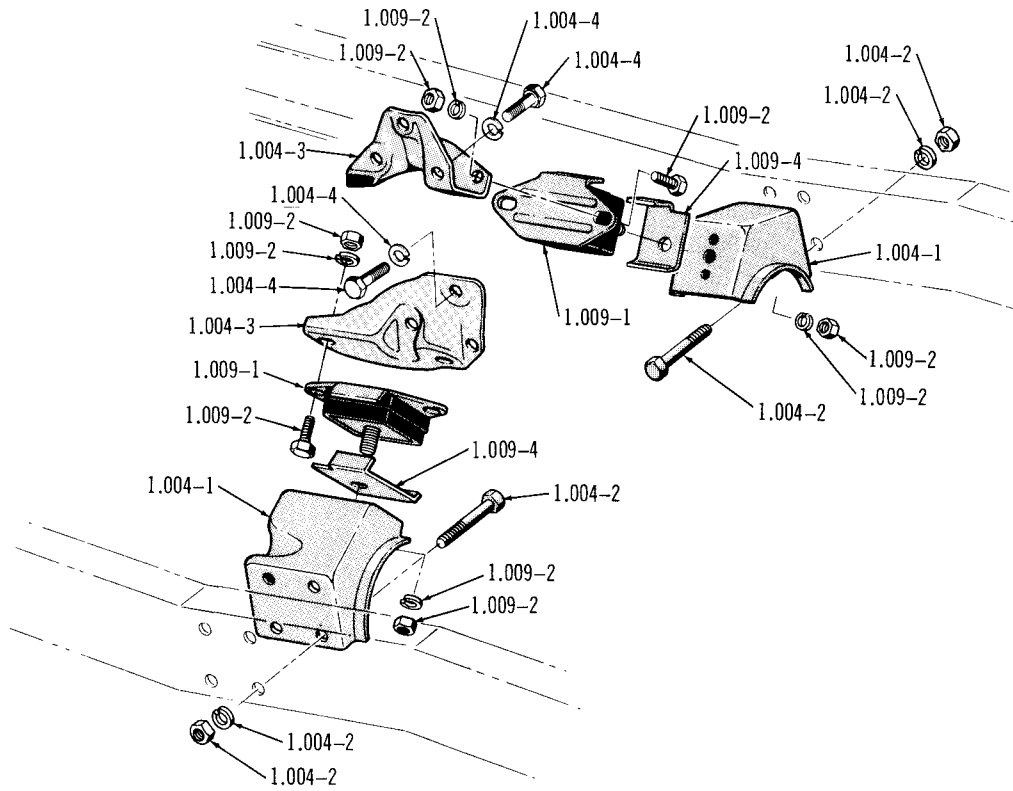
J-5856

ENGINE FRONT MOUNTING . . . 10-20-40 (SIX)



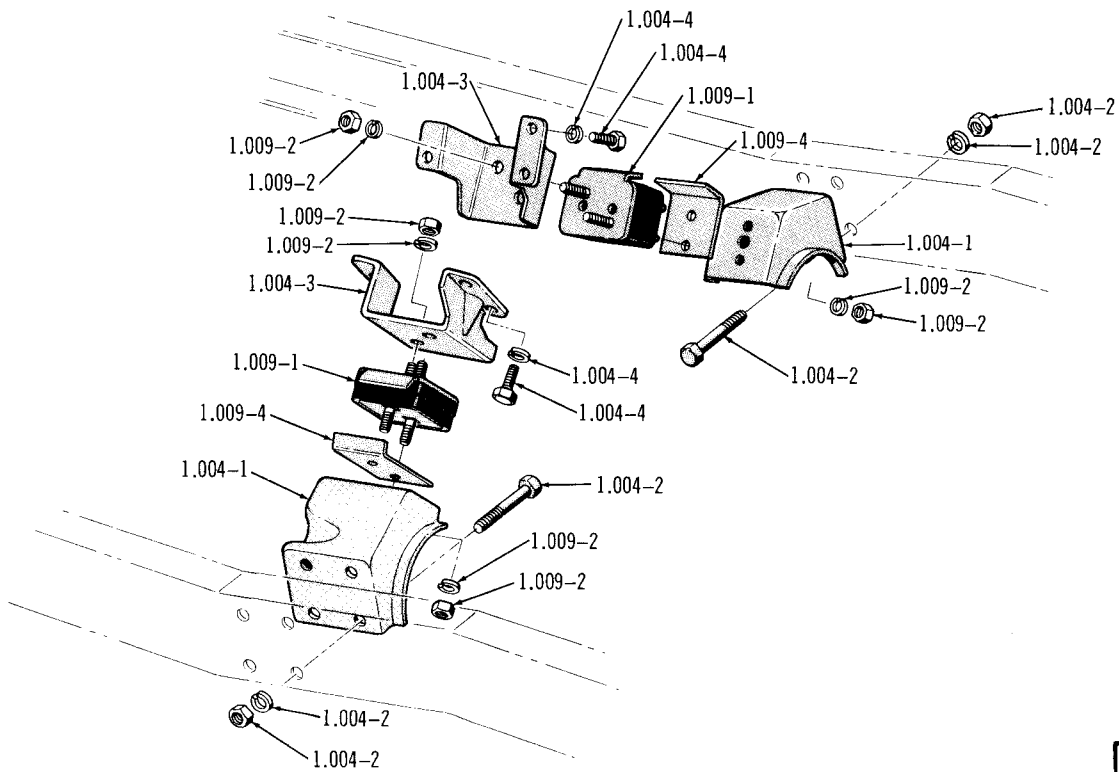
J-4361

ENGINE FRONT MOUNTING . . . 10-20-40 (V8)



J-4985

ENGINE FRONT MOUNTING . . . 80-90 (SIX)



J-4986

ENGINE FRONT MOUNTING . . . 80-90 (V8)