

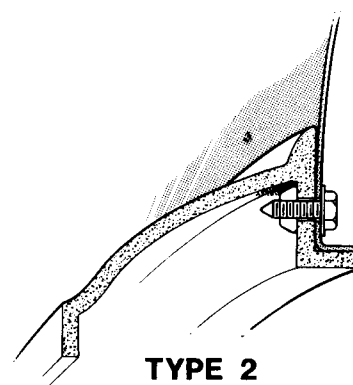
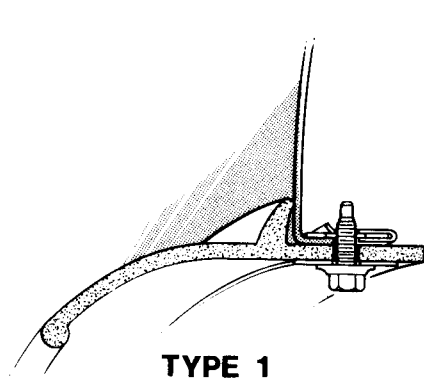
SPECIAL INFORMATION

The Engine Build Code Number, the Vehicle Identification Number and the information provided on the Trim Plate are often necessary when determining the proper replacement parts for your vehicle. For their location refer to the General Information Section found at the front of this catalog.

NOTES

12-1 Refer to Type 1 Illustration below.

12-2 Refer to Type 2 Illustration below.



12-3 Used without Horizontal Bumper Guards.

12-4 Used with Horizontal Bumper Guards.

12-5 Used when Bumper Flanges are not notched for the Bumper Jack.

12-6 Used when Bumper Flanges are notched for the Bumper Jack.



HOOD - FENDERS - BUMPERS

12.008

| GROUP NO. — DESCRIPTION — YEAR and MODEL | PAKS CODE | PRIMARY GROUP NO. | PER CAR | PART NO. | CODE |
|--|--------------|----------------------|------------|-------------|------|
| 12.001-1 HOOD | | | | | |
| 74/ 10-20-40 | | | 1 | 985 137 | |
| 74/ 80-90 | | | 1 | 986 220 | |
| 12.001-2 INSULATION, Hood | | | | | |
| 74/ 10 (258-Used With A One Piece Désian) | | | 1 | 962 397 | |
| 74/ 10 (360-401-Used With A One Piece Désian) | | | 1 | 972 986 | |
| 76 (Center) 10-20 (Used With A Three Piece Désian) | | | 1 | 546 0143 | |
| 76 (Ends) 10-20 (Used With A Three Piece Désian) | | | 2 | 546 0166 | |
| 12.001-3 CROSSMEMBER, Hood Diagonal | | | | | |
| 74/ (Left) 10-20-40 | | | 1 | 985 173 | |
| 74/ (Right) 10-20-40 | | | 1 | 985 174 | |
| 12.001-5 ATTACHING PARTS, Crossmember To Hood | | | | | |
| SCREW, Machine... 74/ 10-20-40 | 10.339 | | 8 | 400 3915 | |
| 12.001-7 BEZEL, Hood Center | | | | | |
| 74/ 10-20-40 | | | 1 | 968 242 | |
| 12.001-8 ATTACHING PARTS, Bezel To Hood | | | | | |
| SPACER | 74/ 10-20-40 | | 2 | 968 243 | |
| NUT, Hexagon | 74/ 10-20-40 | 17.412 | 2 | G271172 | |
| 12.001-9 ATTACHING PARTS, Bezel To Bracket | | | | | |
| WASHER, Plain | 74/ 10-20-40 | 17.814 | 2 | G446188 | |
| NUT, Hexagon | 74/ 10-20-40 | 17.412 | 2 | G271172 | |
| 12.001-10 BRACKET, Bezel Support | | | | | |
| 74/ 10-20-40 | | | 2 | 968 241 | |
| 12.001-11 ATTACHING PARTS, Bracket To Hood | | | | | |
| BOLT, Hexagon | 74/ 10-20-40 | | 2 | 962 053 | |
| WASHER, Plain | 74/ 10-20-40 | 17.814 | 2 | G446188 | |
| NUT, Speed | 74/ 10-20-40 | | 2 | 968 861 | |
| 12.001-12 BUMPER, Hood Adjustable | | | | | |
| 74/ 10-20-40 | | | 2 | 958 556 | |
| 12.001-13 ATTACHING PARTS, Bumper To Wheelhouse Crossmember | | | | | |
| SCREW, Machine | 74/ 10-20-40 | | 2 | 960 139 | |
| NUT, Special | 74/ 10-20-40 | | 2 | 958 557 | |
| 12.001-14 BUMPER, Stationary Hood | | | | | |
| 74/ (On Fender) 10-20-40 | | | 4 | 963 331 | |
| 12.001-15 LOOP, Footman | | | | | |
| 74/ 80-90 (Except Renegade) | 29.201 | | 1 | 663 808 | |
| 74/ 83 (Renegade) | | | 1 | 545 5264 | |
| 12.001-16 REINFORCEMENT, Footman Loop | | | | | |
| 74/ 80-90 (Except Renegade) | | | 1 | 987 127 | |
| 74/ 83 (Renegade) | | | 1 | 545 5265 | |
| 12.001-17 ATTACHING PARTS, Footman Loop To Hood | | | | | |
| SCREW, Machine | 74/ 80-90 | 17.586 | 2 | G155937 | |
| 12.008-1 ROD, Hood Prop | | | | | |
| 74/ 80-90 | | | 1 | 979 722 | |
| 12.008-3 BRACKET, Hood Prop Retainer | | | | | |
| 74/ 80-90 | | | 1 | 979 727 | |
| 12.008-4 ATTACHING PARTS, Bracket To Hood | | | | | |
| SCREW, Machine | 74/ 80-90 | 17.598 | 2 | G456334 | |
| 12.008-5 BRACKET, Hood Prop Catch | | | | | |
| 74/ 80-90 | | | 1 | 979 725 | |

12.008

HOOD - FENDERS - BUMPERS

| | | | | | |
|-----------------|--|--------|---|----------|--|
| 12.008-6 | RETAINER CLIP, Hood Prop Rod | | | | |
| | 74/ 80-90..... | | 1 | 979 305 | |
| 12.008-7 | ATTACHING PARTS, Retainer To Hood | | | | |
| | SCREW, Tapping..... 74/ 80-90..... | 17.660 | 2 | G161860 | |
| 12.008-8 | BRACKET, Hood Prop Rod Support | | | | |
| | 74/ 80-90..... | | 1 | 973 857 | |
| 12.009-1 | BUMPER, Fold Down Windshield | | | | |
| | 74/ 80-90..... | 12.001 | 2 | 979 210 | |
| 12.009-2 | ATTACHING PARTS, Bumper To Hood | | | | |
| | REINFORCEMENT..... 74/ 80-90..... | 12.001 | 2 | 689 294 | |
| | WASHER, Plain..... 74/ 80-90..... | 13.113 | 4 | 961 078 | |
| | NUT, Hexagon..... 74/ 80-90..... | 17.412 | 4 | G271172 | |
| 12.022-1 | WEATHERSTRIP, Hood | | | | |
| | 74/75 10-20-40..... | | 1 | 956 876 | |
| | 76 10-20-40..... | | 1 | 545 9613 | |
| 12.022-2 | ATTACHING PARTS, Weatherstrip To Cowl Top Outer Panel | | | | |
| | SCREW, Tapping..... 74/ 10-20-40..... | 17.660 | 7 | G161895 | |
| | CLAMP..... 74/ 10-20-40..... | 6.358 | 4 | 908 834 | |
| 12.035-1 | HINGE, Hood | | | | |
| | LEFT | | | | |
| | 74/ 10-20-40... (Incl. Spring)..... | | 1 | 956 963 | |
| | 74/75 (Hood Half) 80..... | | 1 | 981 255 | |
| | 74/75 (Cowl Half) 80..... | | 1 | 981 261 | |
| | 76 80-90..... | | 1 | 545 9516 | |
| | RIGHT | | | | |
| | 74/ 10-20-40... (Incl. Spring)..... | | 1 | 956 964 | |
| | 74/75 (Hood Half) 80..... | | 1 | 981 256 | |
| | 74/75 (Cowl Half) 80..... | | 1 | 981 262 | |
| | 76 80-90..... | | 1 | 545 9516 | |
| 12.035-2 | ATTACHING PARTS, Hinge To Cowl | | | | |
| | SCREW, Tapping..... 74/ 80-90..... | 12.075 | 4 | 400 4455 | |
| | STUD..... 74/ 10-20-40..... | 2.045 | 4 | 958 166 | |
| | WASHER, Plain..... 74/ 10-20-40..... | 3.082 | 4 | 961 070 | |
| | WASHER, Lock..... 74/ 10-20-40..... | | 4 | 961 127 | |
| | NUT, Hexagon..... 74/ 10-20-40..... | 17.406 | 4 | G120368 | |
| 12.035-3 | ATTACHING PARTS, Hinge To Splash Apron | | | | |
| | SCREW, Hexagon..... 74/ 10-20-40..... | 12.075 | 4 | 400 4455 | |
| | NUT, Hexagon..... 74/ 10-20-40..... | 3.082 | 4 | 400 4866 | |
| 12.035-4 | ATTACHING PARTS, Hinge To Hood | | | | |
| | SCREW, Tapping..... 74/ 80-90..... | 12.075 | 6 | 400 4455 | |
| | STUD..... 74/ 10-20-40..... | 2.045 | 4 | 958 166 | |
| | WASHER, Plain..... 74/ 10-20-40..... | 3.082 | 4 | 961 070 | |
| | WASHER, Lock..... 74/ 10-20-40..... | | 4 | 961 127 | |
| | NUT, Hexagon..... 74/ 10-20-40..... | 17.406 | 4 | G120368 | |
| 12.035-5 | ATTACHING PARTS, Hinge Cowl Half To Hinge Hood Half | | | | |
| | WASHER, Spring..... 74/ 80-90..... | 7.125 | 4 | 815 535 | |
| 12.060-1 | DOVETAIL ASSEMBLY, Hood Lock Lower | | | | |
| | 74/ 10-20-40... (Incl. Dovetail, Retainer, Spring, Nut And Washer).... | | 2 | 956 418 | |
| 12.060-2 | DOVETAIL, Hood Lock Lower | | | | |
| | 74/ 10-20-40..... | | 2 | 963 338 | |

HOOD - FENDERS - BUMPERS

12.075

| | | | | |
|-----------|--|----------------------------|-------------|--------------------------------|
| 12.060-3 | NUT, Upper Dovetail To Crossmember 74/ 10-20-40..... | 17.410 | 2 | G124934 |
| 12.060-4 | NUT, Lower Dovetail To Crossmember 74/ 10-20-40..... | | 2 | 963 337 |
| 12.060-5 | RETAINER, Hood Lock Lower Dovetail Spring 74/ 10-20-40..... | | 2 | 963 339 |
| 12.060-6 | SPRING, Hood Lock Lower Dovetail 74/ 10-20-40..... | | 2 | 963 336 |
| 12.060-6a | WASHER, Hood Lock Lower Dovetail Spring 74/ 10-20-40..... | | 2 | 966 112 |
| 12.060-7 | LOCK, Upper Hood (Incl. Safety Hook Spring) 74/ (Release Thru Eyebrow) 10-20-40 (Used With Full Width Vertical And Horizontal Grille) | | 1 | 972 669 |
| 12.060-8 | ATTACHING PARTS, Hood Lock To Hood SCREW, Hexagon 74/ 10-20-40..... | 10.339 | 8 | 400 3915 |
| 12.060-9 | SPRING, Upper Hood Lock Safety Hook 74/ 10-20-40..... | | 1 | 961 968 |
| 12.060-15 | CATCH, Hood Assembly 74/ 80-90..... | | 1 | 977 749 |
| 12.060-16 | ATTACHING PARTS SCREW, Hexagon 74/ 80-90..... | 28.600 | 4 | 968 651 |
| 12.060-17 | BRACKET, Hood Catch 74/ 80-90..... | | 2 | 974 111 |
| 12.060-18 | ATTACHING PARTS, Bracket To Hood SCREW, Machine..... 74/ 80-90..... NUT, Hexagon..... 74/ 80-90..... | 17.598 17.412 | 4 4 | G160515 G271172 |
| 12.061-1 | LOCK, Hood 74/ 80-90..... | 12.060 | 1 | 978 933 |
| 12.061-3 | ATTACHING PARTS, Lock To Air Deflector SCREW, Hexagon 74/ 80-90..... WASHER, Plain..... 74/ 80-90..... | 31.370 13.113 | 3 3 | 961 073 961 078 |
| 12.075-1 | FENDER, Front | | | |
| | LEFT | | | |
| | 74/ 10 (Except Cherokee Chief) | | 1 | 545 1251 |
| | 75/ 16-17 (Cherokee Chief) | | 1 | 545 1325 |
| | 74 20-40..... | | 1 | 545 1325 |
| | 74 80..... | | 1 | 989 951 |
| | 75 80..... | | 1 | 545 4677 |
| | 76 80-90..... | | 1 | 545 9849 |
| | RIGHT | | | |
| | 74/ 10 (Except Cherokee Chief) | | 1 | 545 1252 |
| | 75/ 16-17 (Cherokee Chief) | | 1 | 545 1326 |
| | 74/ 20-40..... | | 1 | 545 1326 |
| | 74 80..... | | 1 | 986 254 |
| | 75 80..... | | 1 | 545 4678 |
| | 76 80-90..... | | 1 | 545 9272 |
| 12.075-2 | ATTACHING PARTS, Fender To Radiator Guard SCREW, Hexagon 74/ 80-90..... NUT, Hexagon..... 74/ 80-90..... WASHER, Plain..... 74/ 80-90..... | 10.340 17.406 17.814 | 6 4 4 | 400 4455 G120376 G446363 |

12.075

HOOD - FENDERS - BUMPERS

| | | | |
|---|---------------------------------------|--------|-------------|
| 12.075-2a ATTACHING PARTS, Fender To Splash Apron | | | |
| SCREW, Hexagon | 74/ 10-20-40 | 10.350 | 8 400 4520 |
| NUT, Hexagon | 74/ 10-20-40 | 3.082 | 8 400 4866 |
| 12.075-3 ATTACHING PARTS, Fender To Cowl | | | |
| SCREW, Hexagon | 74/ 10-20-40 | 10.350 | 8 400 4520 |
| SCREW, Hexagon | 74/ 80-90 | 10.340 | 8 400 4455 |
| 12.075-4 ATTACHING PARTS, Fender To Dash Bracket | | | |
| SCREW, Hexagon | 74/ 10-20-40 | 10.340 | 2 400 4455 |
| WASHER, Plain | 74/ 10 | 3.082 | 2 961 070 |
| NUT, Hexagon | 74/ 10-20-40 | 3.082 | 2 400 4866 |
| 12.075-5 EXTENSION, Front Fender Stone Shield | | | |
| LEFT | | | |
| 74/ 10 (Except Cherokee Chief) | | | 1 956 729 |
| 75/ 16-17 (Cherokee Chief) | | | 1 956 737 |
| 74/ 20-40 | | | 1 956 737 |
| RIGHT | | | |
| 74/ 10 (Except Cherokee Chief) | | | 1 956 730 |
| 75/ 16-17 (Cherokee Chief) | | | 1 956 738 |
| 74/ 20-40 | | | 1 956 738 |
| 12.075-6 EXTENSION, Front Fender | | | |
| 74 83 (Renegade-* 12-1) | | | 2 989 422 |
| 74/ (Left) 83-90 (Renegade-* 12-2) | | | 1 545 5071 |
| 74/ (Right) 83-90 (Renegade-* 12-2) | | | 1 545 5072 |
| 12.075-6a REINFORCEMENT, Front Fender Extension | | | |
| 74 (Inner) 83 (Renegade-* 12-1) | | | 2 989 391 |
| 74 (Outer) 83 (Renegade-* 12-1) | | | 2 989 390 |
| 12.075-7 ATTACHING PARTS, Extension To Fender | | | |
| SCREW, Hexagon | 74 83 (Renegade-* 12-1) | 12.060 | 14 987 145 |
| SCREW, Tapping | 74/ 83-90 (Renegade-* 12-2) | 2.050 | 14 400 2337 |
| "J" NUT | 74 83 (Renegade-* 12-1) | | 14 989 668 |
| NUT (Nylon) | 74/ 83-90 (Renegade-* 12-2) | | 14 400 4868 |
| 12.076-1 BRACKET, Fender To Dash | | | |
| 74/ 10-20-40 | | | 2 957 407 |
| 12.076-2 ATTACHING PARTS, Bracket To Dash | | | |
| BOLT, Hexagon | 74/ 10-20-40 | 17.672 | 4 G9424824 |
| WASHER, Plain | 74/ 10-20-40 | 3.082 | 4 961 070 |
| NUT, Hexagon | 74/ 10-20-40 | 3.095 | 4 961 069 |
| 12.076-3 BRACE, Front Fender Stone Shield Extension | | | |
| 74/ 10 | | | 2 959 692 |
| 74/ 20-40 | | | 2 959 697 |
| 12.076-4 ATTACHING PARTS, Stone Shield Extension Brace To Front Stone Shield Extension | | | |
| SCREW, Hexagon | 74/ 10-20-40 | 12.075 | 2 400 4455 |
| NUT, Hexagon | 74/ 10-20-40 | 3.082 | 2 400 4866 |
| 12.076-5 ATTACHING PARTS, Stone Shield Extension Brace To Radiator Support | | | |
| SCREW, Hexagon | 74/ 10-20-40 | | 2 962 398 |
| WASHER, Plain | 74/ 10-20-40 | 3.082 | 2 961 070 |
| NUT, Hexagon | 74/ 10-20-40 | 3.095 | 2 961 069 |
| 12.077-1 PANEL, Splash Apron | | | |
| 74 (Left) 10-20-40 | | | 1 545 0139 |
| 75/ (Left) 10-20-40 | | | 1 545 6567 |
| 74 (Right) 10-20-40 (360)(401) | | | 1 977 598 |

HOOD - FENDERS - BUMPERS

12.125

| | | | | |
|-----------------|--|--------|----|----------|
| | 75 (Right) 10-20-40 (360)(401)..... | 1 | | 545 6570 |
| | 74 (Right) 10-20-40 (258) | 1 | | 966 952 |
| | 75 (Right) 10-20-40 (258) | 1 | | 545 6566 |
| | 76 (Right) 10-20-40 (258) | 1 | | 545 9391 |
| | 76 (Right) 10-20-40 (360)(401)..... | 1 | | 545 9390 |
| 12.077-2 | ATTACHING PARTS, Splash Apron To Radiator Support And Baffle Assembly | | | |
| | STUD..... 74/ 10-20-40..... | 2.045 | 2 | 958 166 |
| | SCREW, Hexagon..... 74/ 10-20-40..... | 12.075 | AR | 400 4455 |
| | WASHER, Plain..... 74/ 10-20-40..... | 3.082 | 2 | 961 070 |
| | NUT, Hexagon..... 74/ 10-20-40..... | 2.045 | 2 | 968 417 |
| 12.077-3 | ATTACHING PARTS, Splash Apron To Bracket On Front Fender | | | |
| | SCREW, Hexagon..... 74/ 10-20-40..... | 17.629 | 4 | G423562 |
| | WASHER, Plain..... 74/ 10-20-40..... | 3.082 | 8 | 961 070 |
| | NUT, Hexagon..... 74/ 10-20-40..... | 3.095 | 4 | 961 069 |
| 12.077-4 | ATTACHING PARTS, Splash Apron To Body Assembly | | | |
| | SCREW, Hexagon..... 74/ 10-20-40..... | 12.075 | AR | 400 4455 |
| | NUT, Hexagon..... 74/ 10-20-40..... | 3.082 | AR | 400 4866 |
| 12.077-7 | SUPPORT, Splash Apron To Side Panel Gusset | | | |
| | 74/75 (Left) 80..... | 1 | | 987 381 |
| | 76 (Left) 80-90..... | 1 | | 545 9387 |
| | 74/75 (Right) 80..... | 1 | | 987 380 |
| | 76 (Right) 80-90..... | 1 | | 545 9388 |
| 12.077-8 | ATTACHING PARTS, Support To Gusset | | | |
| | NUT, Hexagon..... 74/ 80-90..... | 3.082 | 2 | 400 4866 |
| 12.077-9 | ATTACHING PARTS, Support To Splash Apron | | | |
| | SCREW, Hexagon..... 74/ 80-90..... | 12.075 | 2 | 400 4455 |
| | NUT, Hexagon..... 74/ 80-90..... | 3.082 | 2 | 400 4866 |
| 12.125-1 | PANEL, Rear Quarter Upper | | | |
| | LEFT | | | |
| | 74/ 14-15..... | 1 | | 965 547 |
| | 74/ 16-17..... | 1 | | 545 0451 |
| | RIGHT | | | |
| | 74/ 14-15..... | 1 | | 965 548 |
| | 74/ 16-17..... | 1 | | 545 0452 |
| 12.125-2 | PANEL, Rear Quarter Lower | | | |
| | LEFT | | | |
| | 74/ 14-15..... | 1 | | 984 341 |
| | 74/ 16-17 (Except Cherokee Chief)..... | 1 | | 545 0457 |
| | 75 16-17 (Cherokee Chief)..... | 1 | | 545 7733 |
| | RIGHT | | | |
| | 74/ 14-15..... | 1 | | 984 342 |
| | 74/ 16-17 (Except Cherokee Chief)..... | 1 | | 545 0458 |
| | 75 16-17 (Cherokee Chief)..... | 1 | | 545 7734 |
| 12.125-3 | PANEL EXTENSION, Lower Rear Quarter | | | |
| | LEFT | | | |
| | 74 14-15..... | 1 | | 979 715 |
| | 74/ 16-17..... | 1 | | 545 0455 |
| | RIGHT | | | |
| | 74/ 14-15..... | 1 | | 979 716 |
| | 74/ 16-17..... | 1 | | 545 0456 |
| 12.125-4 | PLATE, Tail Light Mounting | | | |
| | 74/ (Left) 14-15..... | 1 | | 957 747 |
| | 74/ (Right) 14-15..... | 1 | | 957 748 |

12.168

HOOD - FENDERS - BUMPERS

12.168-1 RAIL, Front Bumper (LEAB)

CHROME

| | | | |
|-------|--|---|------------|
| 74/75 | (Center) 10-20-40 (* 12-5) | 1 | 929 866 |
| 75/ | (Center) 10-20-40 (* 12-6) | 1 | 535 5004 |
| 74/75 | (End) 10-20-40 (* 12-5) | 2 | 929 946 MR |
| 75/ | (Left-End) 10-20-40 (* 12-3 And * 12-6) | 1 | 535 4994 |
| 75/ | (Left-End) 10-20-40 (* 12-4 And * 12-6) | 1 | 535 4999 |
| 75/ | (Right-End) 10-20-40 (* 12-3 And * 12-6) | 1 | 535 4995 |
| 75/ | (Right-End) 10-20-40 (* 12-4 And * 12-6) | 1 | 535 4998 |
| 74/75 | 80 | 1 | 999 444 |

PAINTED

| | | | |
|-------|-------------------------------|---|------------|
| 74/75 | (Center) 10-20-40 (* 12-5) | 1 | 930 245 |
| 75/ | (Center) 16-20-40 (* 12-6) | 1 | 535 5003 |
| 74/75 | (End) 10-20-40 (* 12-5) | 2 | 930 246 MR |
| 75/ | (Left-End) 16-20-40 (* 12-6) | 1 | 535 4992 |
| 75/ | (Right-End) 16-20-40 (* 12-6) | 1 | 535 4993 |
| 74/75 | 80 | 1 | 906 781 |
| 76 | 80-90 | 1 | 535 5342 |

12.168-2 ATTACHING PARTS, Front Center Rail To Inner Back Bar (LEAB)

| | | | | | |
|---------------|-------|----------|--------|---|----------|
| BOLT, Hexagon | 74/75 | 10-20-40 | 17.038 | 2 | G181668 |
| BOLT, Hexagon | 76 | 10-20-40 | 17.038 | 2 | G180147 |
| WASHER, Plain | 74/ | 10-20-40 | 17.814 | 2 | G120395 |
| WASHER, Lock | 74/ | 10-20-40 | 17.820 | 2 | G120383 |
| NUT, Hexagon | 74/75 | 10-20-40 | 17.406 | 2 | G271506 |
| NUT, Hexagon | 76 | 10-20-40 | 10.655 | 2 | 400 4005 |

12.168-3 ATTACHING PARTS, Front End Rail To Outer Bars (LEAB)

| | | | | | |
|----------------|-----|----------|--------|---|---------|
| BOLT, Carriage | 74/ | 10-20-40 | | 4 | 923 695 |
| WASHER, Plain | 74/ | 10-20-40 | 17.814 | 4 | G120395 |
| WASHER, Lock | 74/ | 10-20-40 | 17.820 | 4 | G120383 |
| NUT, Hexagon | 74/ | 10-20-40 | 17.406 | 4 | G271501 |

12.168-4 ATTACHING PARTS, Front End Rail To Center Rail And Inner Back Bar (LEAB)

| | | | | | |
|----------------|-----|----------|--------|---|----------|
| BOLT, Carriage | 74/ | 10-20-40 | 12.300 | 2 | 400 4810 |
| SPACER | 74/ | 10-20-40 | | 2 | 944 981 |
| WASHER, Lock | 74/ | 10-20-40 | 17.820 | 2 | G120383 |
| NUT, Hexagon | 74/ | 10-20-40 | 17.406 | 2 | G271501 |

12.168-5 ATTACHING PARTS, Front Bumper Rail To Frame (LEAB)

| | | | | | |
|----------------|-----|-------------------------|--------|---|----------|
| BOLT, Carriage | 74 | 80... (7/16"-14 x 1") | | 4 | 923 695 |
| BOLT, Hexagon | 74/ | 80-90... (3/8"-24 x 1") | 17.038 | 4 | G181637 |
| WASHER, Plain | 74 | 80... (13/32" I.D.) | 22.031 | 4 | 641 916 |
| WASHER, Plain | 74/ | 80-90... (3/8" I.D.) | 17.814 | 4 | G120394 |
| WASHER, Lock | 74 | 80... (29/64" I.D.) | | 4 | 637 844 |
| NUT, Hexagon | 74/ | 80-90... (3/8"-24) | 17.416 | 4 | G9412349 |
| NUT, Hexagon | 74/ | 80... (3/8"-24) | 17.416 | 4 | G9412349 |

12.168-6 RAIL, Rear Bumper (LEAB)

CHROME

| | | | |
|-------|------------------------------------|---|------------|
| 74/75 | (Center) 10 (* 12-5) | 1 | 930 006 |
| 75/ | (Center) 10 (* 12-6) | 1 | 535 5002 |
| 74/75 | (End) 10 (* 12-5) | 2 | 929 946 MR |
| 75/ | (Left-End) 10 (* 12-3 And * 12-6) | 1 | 535 4994 |
| 75/ | (Left-End) 10 (* 12-4 And * 12-6) | 1 | 535 4997 |
| 75/ | (Right-End) 10 (* 12-4 And * 12-6) | 1 | 535 4996 |
| 75/ | (Right-End) 10 (* 12-3 And * 12-6) | 1 | 535 4995 |
| 74/75 | 80 | 1 | 942 313 |

PAINTED

| | | | |
|-------|-------------------------|---|------------|
| 74/75 | (Center) 10 (* 12-5) | 1 | 933 628 |
| 75/ | (Center) 16 (* 12-6) | 1 | 535 5001 |
| 74/75 | (End) 10 (* 12-5) | 2 | 930 246 MR |
| 75/ | (Left-End) 16 (* 12-6) | 1 | 535 4993 |
| 75/ | (Right-End) 16 (* 12-6) | 1 | 535 4992 |

HOOD - FENDERS - BUMPERS

12.175

| | | | | | |
|---|------------------|----------|--------|----|----------|
| 12.168-7 ATTACHING PARTS, Rear Center Rail To Back Bar (LEAB) | | | | | |
| BOLT, Hexagon | 74/75 | 10 | 17.038 | 2 | G181668 |
| BOLT, Hexagon | 76 | 10 | 17.038 | 2 | G180147 |
| WASHER, Plain | 74/ | 10 | 17.814 | 2 | G120395 |
| WASHER, Lock | 74/ | 10 | 17.820 | 2 | G120383 |
| NUT, Hexagon | 74/ | 10 | 17.406 | 2 | G271501 |
| 12.168-8 ATTACHING PARTS, Rear End Rail To Back Bar (LEAB) | | | | | |
| BOLT, Carriage | 74/ | 10 | | 4 | 923 695 |
| WASHER, Plain | 74/ | 10 | 17.814 | 4 | G120395 |
| WASHER, Lock | 74/ | 10 | 17.820 | 4 | G120383 |
| NUT, Hexagon | 74/ | 10 | 17.406 | 4 | G271501 |
| 12.168-9 ATTACHING PARTS, Rear End Rail To Center Rail & Back Bar (LEAB) | | | | | |
| BOLT, Carriage | 74/ | 10 | 12.300 | 2 | 400 4810 |
| SPACER | 74/ | 10 | | 2 | 930 004 |
| WASHER, Plain | 74/ | 10 | 17.814 | 2 | G120395 |
| WASHER, Lock | 74/ | 10 | 17.820 | 2 | G120383 |
| NUT, Hexagon | 74/ | 10 | 17.406 | 2 | G271501 |
| 12.168-10 ATTACHING PARTS, Rear Bumper To Support Arm (LEAB) | | | | | |
| BOLT, Carriage | 74/75 | 80 | | 4 | 994 822 |
| WASHER, Plain | 74/75 | 80 | 11.200 | 4 | 641 916 |
| WASHER, Lock | 74/75 | 80 | | 4 | 637 844 |
| NUT, Hexagon | 74/75 | 80 | 17.406 | 4 | G271501 |
| 12.168-11 BUMPERETTE (Rear)(LEAB) | | | | | |
| 74 | 80 | | | 2 | 535 1454 |
| 75 | 80 | | | 2 | 545 7382 |
| 76 | 80-90 | | | 2 | 535 5457 |
| 12.168-12 ATTACHING PARTS, Bumperette To Rear Cross Member (LEAB) | | | | | |
| BOLT, Hexagon | 74/75 | 80 | 17.038 | 8 | G181635 |
| BOLT, Hexagon | 76 | 80-90 | 17.038 | 8 | G180144 |
| WASHER, Plain | 74/75 | 80 | 17.814 | 8 | G120388 |
| WASHER, Lock | 74/75 | 80 | 17.820 | 8 | G120382 |
| NUT, Hexagon | 74/75 | 80 | 17.406 | 8 | G120369 |
| NUT, Hexagon | 76 | 80-90 | 12.175 | 8 | 400 3956 |
| 12.175-1 BAR, Front Bumper Inner Back (LEAB) | | | | | |
| 74/75 | 10-20-40 | | | 2 | 929 999 |
| 76 | (Left) 10-20-40 | | | 1 | 535 5272 |
| 76 | (Right) 10-20-40 | | | 1 | 535 5240 |
| 12.175-2 ATTACHING PARTS, Inner Back Bar To Outer Back Bar (LEAB) | | | | | |
| BOLT, Hexagon | 74/75 | 10-20-40 | 17.038 | 2 | G181668 |
| BOLT, Hexagon | 76 | 10-20-40 | 17.038 | 2 | G180147 |
| WASHER, Plain | 74/ | 10-20-40 | 17.814 | 2 | G120395 |
| WASHER, Lock | 74/ | 10-20-40 | 17.820 | 2 | G120383 |
| NUT, Hexagon | 74/75 | 10-20-40 | 17.406 | 2 | G271506 |
| NUT, Hexagon | 76 | 10-20-40 | 17.406 | 2 | G271501 |
| NUT, Push | 74/ | 10 | 12.178 | 2 | 400 4175 |
| 12.175-3 BAR, Front Bumper Outer Back | | | | | |
| 74/75 | (Left) 10-20-40 | | | 1 | 934 077 |
| 76 | (Left) 10 | | | 1 | 535 5241 |
| 76 | (Left) 20-40 | | | 1 | 535 5277 |
| 74/75 | (Right) 10-20-40 | | | 1 | 934 078 |
| 76 | (Right) 10 | | | 1 | 535 5242 |
| 76 | (Right) 20-40 | | | 1 | 535 5278 |
| 12.175-4 ATTACHING PARTS, Outer Back Bar To Back Bar Side Arm (LEAB) | | | | | |
| BOLT, Hexagon | 74/75 | 10-20-40 | 17.038 | 2 | G181668 |
| BOLT, Hexagon | 76 | 10-20-40 | 17.038 | AR | G180147 |
| WASHER, Plain | 74/ | 10-20-40 | 17.814 | 2 | G120395 |
| WASHER, Lock | 74/ | 10-20-40 | 17.820 | 2 | G120383 |
| NUT, Hexagon | 74/75 | 10-20-40 | 17.406 | 2 | G271506 |
| NUT, Hexagon | 76 | 10-20-40 | 10.055 | 4 | 400 4005 |

12.175

HOOD - FENDERS - BUMPERS

12.175-5 ARM, Front Bumper Back Bar Side

| | | | | |
|-------|------------------|-------|---|----------|
| 74/75 | (Left) 10-20-40 | | 1 | 999 014 |
| 76 | (Left) 10 | | 1 | 535 5558 |
| 76 | (Left) 20-40 | | 1 | 535 5560 |
| 74/75 | (Right) 10-20-40 | | 1 | 934 066 |
| 76 | (Right) 10 | | 1 | 535 5559 |
| 76 | (Right) 20-40 | | 1 | 535 5561 |

12.175-6 ATTACHING PARTS, Side Arm To Frame (LEAB)

| | | | | | |
|---------------|-------|----------------------------|--------|----|---------|
| BOLT, Hexagon | 74/75 | 10-20-40 | 17.038 | 4 | G181668 |
| BOLT, Hexagon | 76 | 10-20-40 | 17.038 | 2 | G180147 |
| WASHER, Lock | 74/ | 10-20-40 | 17.820 | 4 | G120383 |
| SHIM | 74/ | 10-20-40... (.0097" Thick) | | AR | 809 723 |
| SHIM | 74/ | 10-20-40... (.042" Thick) | | AR | 803 203 |
| SHIM | 74/ | 10-20-40... (.1196" Thick) | | AR | 803 202 |

12.178-1 ARM, Rear Bumper Back Bar (LEAB)

| | | | | |
|-------|------------|--------|---|----------|
| 74/75 | 10 | | 2 | 929 997 |
| 76 | (Left) 10 | | 1 | 535 5306 |
| 76 | (Right) 10 | | 1 | 535 5310 |
| 74/75 | 80 | 12.175 | 2 | 998 080 |

12.178-2 ATTACHING PARTS, Arm To Frame (LEAB)

| | | | | | |
|---------------|-------|----|--------|---|----------|
| BOLT, Hexagon | 74/75 | 10 | 17.038 | 2 | G181668 |
| BOLT, Hexagon | 76 | 10 | 17.038 | 2 | G180147 |
| BOLT, Hexagon | 74/75 | 80 | 17.038 | 4 | G123534 |
| WASHER, Plain | 74/75 | 80 | 17.814 | 4 | G120394 |
| WASHER, Lock | 74/ | 10 | 17.820 | 2 | G120383 |
| WASHER, Lock | 74/75 | 80 | 17.820 | 4 | G120382 |
| NUT, Hexagon | 74/75 | 10 | 17.406 | 2 | G271506 |
| NUT, Hexagon | 76 | 10 | 17.406 | 2 | G271501 |
| NUT, Hexagon | 74/75 | 80 | 17.406 | 4 | G120369 |
| PUSHNUT | 74/ | 10 | 12.178 | 2 | 400 4175 |

12.178-3 BRACE, Rear Bumper Back Bar (LEAB)

| | | | | |
|----|----|-------|---|----------|
| 75 | 10 | | 2 | 535 5006 |
| 76 | 10 | | 2 | 535 5307 |

12.178-4 ATTACHING PARTS, Brace To Frame

| | | | | | |
|---------------|-----|----|--------|---|----------|
| BOLT, Hexagon | 75/ | 10 | 17.038 | 2 | G180122 |
| NUT, Hexagon | 75/ | 10 | 4.500 | 2 | 400 3909 |

12.184-1 GUARD ASSEMBLY, Front Bumper

| | | | | |
|-----|---|-------|---|----------|
| 74/ | 10-20-40 (Vertical) ... (Incl. Overlay) | | 2 | 535 0896 |
| 75/ | 10-20-40 (Horizontal) | | 2 | 545 6099 |

12.184-2 OVERLAY, Bumper Bar Rubber

| | | | | |
|----|---------------------|-------|---|---------|
| 74 | 10-20-40 (Vertical) | | 2 | 998 543 |
|----|---------------------|-------|---|---------|

12.184-3 ATTACHING PARTS, Overlay To Bumper Bar

| | | | | | |
|---------------|-----|----------|--------|---|---------|
| WASHER, Plain | 74/ | 10-20-40 | 17.814 | 2 | G120395 |
| WASHER, Lock | 74/ | 10-20-40 | 17.820 | 2 | G120383 |
| NUT, Hexagon | 74/ | 10-20-40 | 17.406 | 2 | G271501 |

12.184-5 GUARD ASSEMBLY, Rear Bumper

| | | | | |
|-----|----|-------|---|----------|
| 75/ | 10 | | 2 | 545 6611 |
|-----|----|-------|---|----------|

12.300-1 RAIL, Front Bumper (WEAB)

| | | | | |
|-------|--------------------------------|--------|---|----------|
| 74/75 | (Center-Chrome) 10 (* 12-5) | 12.168 | 1 | 929 866 |
| 75 | (Center-Chrome) 10 (* 12-6) | 12.168 | 1 | 535 5004 |
| 74/75 | (End-Chrome) 10 (* 12-5) | 12.168 | 2 | 929 946 |
| 75 | (Left-End-Chrome) 10 (* 12-6) | 12.168 | 1 | 535 4994 |
| 75 | (Right-End-Chrome) 10 (* 12-6) | 12.168 | 1 | 535 4995 |
| 74 | (Chrome) 80 | | 1 | 535 2505 |

HOOD - FENDERS - BUMPERS

12.310

| | | | | | |
|-----------------|---|-------------------------------------|--------|----|----------|
| 12.300-2 | ATTACHING PARTS, Front Bumper Rail Center To Reinforcement | | | | |
| | BOLT | 74/75 10..... | | 2 | 400 4811 |
| | SPACER | 74/75 10..... | 12.168 | 2 | 930 004 |
| | NUT, Hexagon | 74 10..... | 10.055 | 2 | 400 4005 |
| 12.300-3 | ATTACHING PARTS, Front Bumper Rail End To Reinforcement | | | | |
| | BOLT | 74/75 10..... | | 2 | 400 4810 |
| | SPACER | 74/75 10..... | 12.303 | 2 | 535 2469 |
| | NUT, Hexagon | 74/75 10..... | 10.055 | 2 | 400 4005 |
| 12.300-4 | RAIL, Rear Bumper (WEAB) | | | | |
| | 74/75 | (Center-Chrome) 10 (* 12-5)..... | 12.168 | 1 | 930 006 |
| | 75 | (Center-Chrome) 10 (* 12-6)..... | 12.168 | 1 | 535 5002 |
| | 74/75 | (End-Chrome) 10 (* 12-5)..... | 12.168 | 2 | 535 2583 |
| | 75 | (Left-End-Chrome) 10 (* 12-6)..... | | 1 | 535 4928 |
| | 75 | (Right-End-Chrome) 10 (* 12-6)..... | | 1 | 535 4929 |
| | 74 | (Chrome) 80..... | | 1 | 535 2505 |
| 12.300-5 | ATTACHING PARTS, Rear Bumper Rail Center To Reinforcement | | | | |
| | BOLT | 74/75 10..... | | 2 | 400 4811 |
| | SPACER | 74/75 10..... | | 2 | 535 2575 |
| | NUT, Hexagon | 74/75 10..... | 10.055 | 2 | 400 4005 |
| 12.300-6 | ATTACHING PARTS, Rear Bumper Rail End To Reinforcement | | | | |
| | BOLT | 74/75 10..... | | 2 | 400 4811 |
| | SPACER | 74/75 10..... | | 2 | 535 2534 |
| | NUT, Hexagon | 74/75 10..... | 10.055 | 2 | 400 4005 |
| 12.300-7 | ATTACHING PARTS, Bumper Rail Hole Filler | | | | |
| | BOLT, Carriage | 74 80..... | 12.168 | 2 | 923 695 |
| | NUT, Hexagon | 74 80..... | 10.055 | 2 | 400 4005 |
| 12.302-1 | GUARD, Bumper Rail (WEAB) | | | | |
| | 74/75 | 10..... | | 4 | 535 2902 |
| | 74 | 80..... | | 4 | 535 2891 |
| 12.302-2 | ATTACHING PARTS, Guard To Reinforcement | | | | |
| | NUT, Hexagon | 74/75 10..... | 10.055 | 4 | 400 4005 |
| 12.302-3 | ATTACHING PARTS, Guard To Bracket | | | | |
| | NUT, Hexagon | 74 80..... | 10.055 | 4 | 400 4005 |
| 12.302-4 | SPACER, Guard To Bumper Rail | | | | |
| | 74/75 | 10..... | 5.165 | 4 | 992 731 |
| 12.305-1 | REINFORCEMENT, Bumper Rail (WEAB) | | | | |
| | 74/75 | (Front) 10..... | | 1 | 535 2355 |
| | 74/75 | (Rear) 10..... | | 1 | 535 2356 |
| 12.310-1 | ABSORBER, Bumper Rail Energy (WEAB) | | | | |
| | 74 | 10-80..... | | AR | 321 7538 |
| | 75 | 10..... | | 4 | 321 7538 |
| 12.310-2 | ATTACHING PARTS, Absorber To Bumper Rail Mounting Bracket | | | | |
| | BOLT, Hexagon | 74/75 10..... | 17.629 | 12 | G274319 |
| | BOLT, Hexagon | 74 80..... | 17.038 | 16 | G9420463 |
| | STUD | 74/75 10..... | 12.310 | 4 | 400 4893 |
| | WASHER, Plain | 74 10-80..... | 17.814 | 16 | G120395 |
| | WASHER, Lock | 74 10-80..... | 11.170 | 16 | 400 4809 |
| | WASHER, Lock | 75 10..... | 11.170 | 16 | 400 4809 |
| | WASHER, Plain | 75 10..... | 17.814 | 16 | G120395 |
| | NUT, Lock | 74/75 10..... | 12.175 | 4 | 400 3956 |
| | NUT, Hexagon | 75 10..... | 10.055 | 4 | 400 4005 |
| 12.310-3 | ATTACHING PARTS, Absorber To Body Mounting Bracket | | | | |
| | NUT, Hexagon | 74 10-80..... | 10.055 | AR | 400 4005 |

12.310

HOOD - FENDERS - BUMPERS

12.310-4 ATTACHING PARTS, Front Absorber To Frame

| | | | | | |
|---------------|-------|----|--------|---|----------|
| BOLT, Hexagon | 74/75 | 10 | 17.629 | 4 | G274319 |
| BOLT, Hexagon | 74 | 80 | 17. | 8 | G9429463 |
| NUT, Hexagon | 74/75 | 10 | 10.055 | 4 | 400 4005 |
| NUT, Hexagon | 74 | 80 | 10.055 | 8 | 400 4005 |

12.310-5 ATTACHING PARTS, Rear Absorber To Frame

| | | | | | |
|---------------|-------|------------------|--------|---|----------|
| BOLT, Hexagon | 74/75 | (Inner) 10 | 17.038 | 4 | G9427253 |
| BOLT, Hexagon | 74/75 | (Outer-Upper) 10 | 17.038 | 4 | G9423155 |
| BOLT, Hexagon | 74/75 | (Outer-Lower) 10 | 17.038 | 2 | G9427253 |
| BOLT, Hexagon | 74 | 80 | 17.038 | 8 | G9427253 |
| SPACER | 74/75 | (Inner) 10 | | 2 | 535 2354 |
| SPACER | 74/75 | (Outer) 10 | | 2 | 535 2536 |
| SPACER | 74 | 80 | | 4 | 535 2354 |
| WASHER, Lock | 74 | 80 | 11.170 | 8 | 400 4809 |
| NUT, Hexagon | 74/75 | (Inner) 10 | 10.055 | 4 | 400 4005 |
| NUT, Hexagon | 74/75 | (Outer-Lower) 10 | 10.055 | 2 | 400 4005 |
| NUT, Hexagon | 74 | 80 | 17.406 | 8 | G271501 |

12.315-1 BRACKET, Energy Absorber To Bumper Rail Mounting

FRONT

| | | | | | |
|-------|------------|--|--|---|----------|
| 74/75 | (Left) 10 | | | 1 | 535 2357 |
| 74/75 | (Right) 10 | | | 1 | 535 2781 |
| 74 | 80 | | | 2 | 535 2511 |

REAR

| | | | | | |
|-------|------------|--|--|---|----------|
| 74/75 | (Left) 10 | | | 1 | 535 2359 |
| 74 | (Left) 80 | | | 1 | 535 2647 |
| 74/75 | (Right) 10 | | | 1 | 535 2360 |
| 74 | (Right) 80 | | | 1 | 535 2648 |

12.320-1 BRACKET, Energy Absorber Body Mounting

| | | | | | |
|-------|------------------|--|--|---|----------|
| 74/75 | (Left-Front) 10 | | | 1 | 535 2352 |
| 74/75 | (Right-Front) 10 | | | 1 | 535 2384 |
| 74/75 | (Rear) 10 | | | 2 | 535 2549 |
| 74 | 80 | | | 4 | 535 2512 |

12.320-2 ATTACHING PARTS, Bracket To Frame Side

| | | | | | |
|---------------|-------|-----------|--------|---|----------|
| BOLT, Hexagon | 74/75 | (Rear) 10 | 17.629 | 4 | G274319 |
| BOLT, Hexagon | 74 | 80 | 17.629 | 8 | 812 1353 |
| WASHER, Plain | 74/75 | (Rear) 10 | 17.814 | 4 | G120395 |
| NUT, Hexagon | 74 | 80 | 10.055 | 8 | 400 4005 |
| NUT, Hexagon | 74/75 | (Rear) 10 | 10.055 | 4 | 400 4005 |
| NUT, Hexagon | 74 | 80 | 17.406 | 8 | G271501 |

12.320-3 ATTACHING PARTS, Bracket To Frame-Front

| | | | | | |
|---------------|-------|---------------------------|--------|---|----------|
| BOLT, Hexagon | 74/75 | 10... (7/16"-14 x 1-1/4") | 17.038 | 2 | G9424069 |
| BOLT, Hexagon | 74/75 | 10... (9/16"-12 x 1-1/4") | 17.038 | 2 | G9429000 |
| WASHER, Lock | 74/75 | 10... (7/16" I.D.) | 11.170 | 2 | 400 4809 |
| WASHER, Plain | 74/75 | 10... (9/16" I.D.) | 17.814 | 2 | G121458 |
| NUT, Lock | 74/75 | 10... (7/16"-14) | 17.406 | 2 | G271501 |
| NUT, Lock | 74/75 | 10... (9/16"-14) | 10.050 | 2 | 400 3979 |

12.320-4 ATTACHING PARTS, Bracket To Front Energy Absorber

| | | | | | |
|---------------|-------|----|--------|---|----------|
| BOLT, Hexagon | 74/75 | 10 | 17.038 | 8 | G9424069 |
| WASHER, Lock | 74/75 | 10 | 11.170 | 8 | 400 4809 |
| NUT, Lock | 74/75 | 10 | 17.406 | 8 | G271501 |

12.322-1 BRACKET, Front Energy Absorber To Support

| | | | | | |
|----|----|--|--|---|----------|
| 74 | 10 | | | 2 | 535 2353 |
|----|----|--|--|---|----------|

12.322-2 ATTACHING PARTS, Bracket To Support

| | | | | | |
|---------------|-------|----|--------|---|----------|
| BOLT, Hexagon | 74/75 | 10 | 17.629 | 4 | G274319 |
| WASHER, Plain | 74/75 | 10 | 17.814 | 4 | G120395 |
| NUT, Hexagon | 74/75 | 10 | 10.055 | 4 | 400 4005 |

HOOD - FENDERS - BUMPERS

12.360

| | | | | |
|-----------------|--|--------|----|----------|
| 12.323-1 | SUPPORT, Front Energy Absorber Bracket | | | |
| | 74/75 (Left) 10..... | | 1 | 535 2385 |
| | 74/75 (Right) 10..... | | 1 | 535 2386 |
| 12.323-2 | ATTACHING PARTS, Support To Frame | | | |
| | BOLT, Hexagon 74/75 (Left) 10..... | 17.038 | 2 | G9419091 |
| | BOLT, Hexagon 74/75 (Right) 10..... | 17.038 | 2 | G9419089 |
| | NUT, Hexagon..... 74/75 10..... | 10.055 | 2 | 400 4005 |
| 12.350-1 | FILLER, Front Bumper Rail | | | |
| | 74/75 10..... | | 1 | 545 5108 |
| 12.350-2 | ATTACHING PARTS, Filler To Grille Face Panel | | | |
| | RIVET, Drive 74/75 10..... | 12.360 | 14 | 400 4822 |
| 12.360-1 | FILLER, Rear Bumper To Rear Cross Sill (WEAB) | | | |
| | 74/75 10..... | | 1 | 545 5109 |
| 12.360-2 | ATTACHING PARTS, Rear Bumper Filler To Rear Cross Sill (WEAB) | | | |
| | RIVET (Plastic) 74/75 10..... | | 12 | 400 4822 |

HOOD - FENDERS - BUMPERS