

# 1986 COMANCHE CHASSIS SCHEMATIC

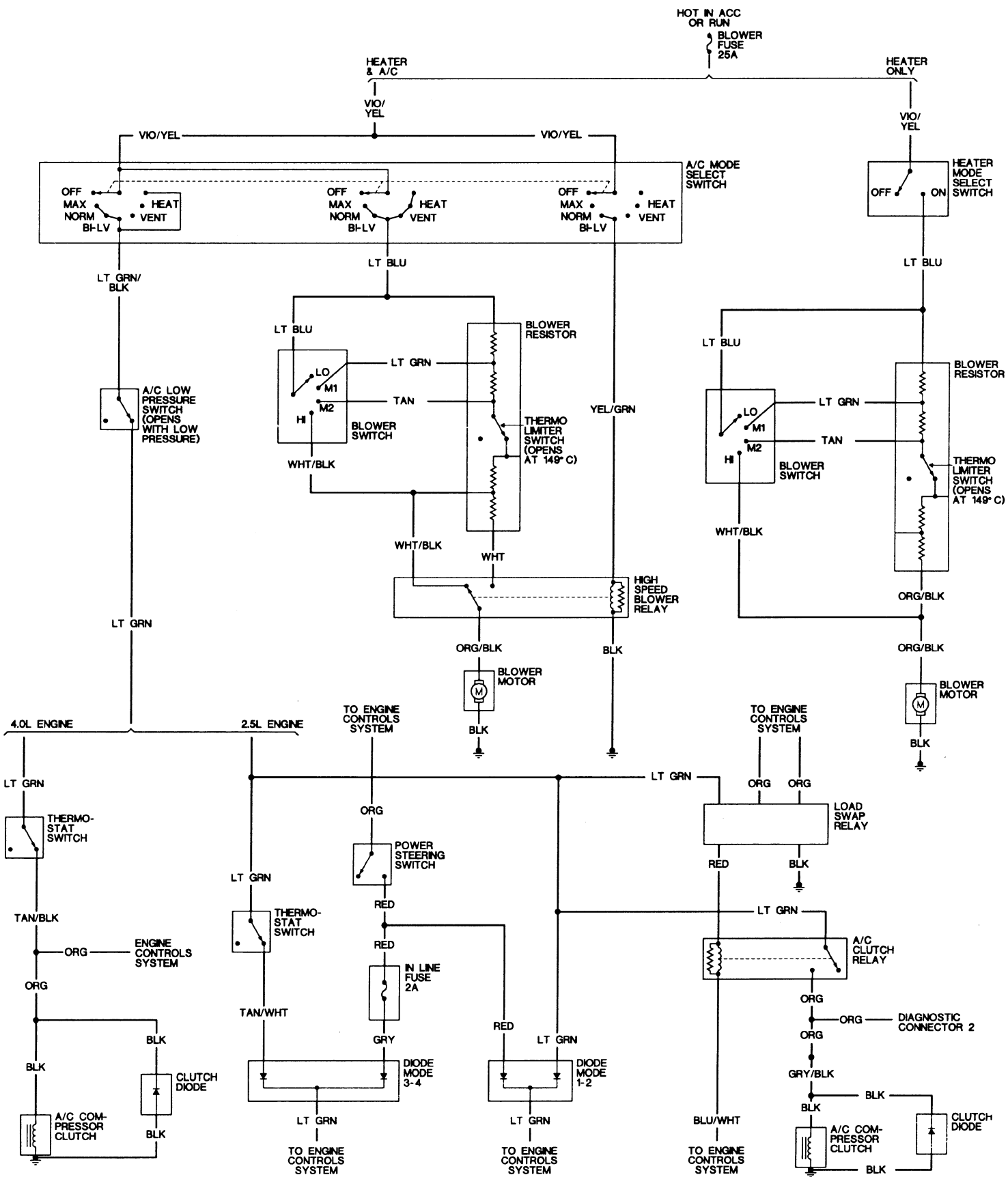


DIAGRAM 8