

1984-85 CHEROKEE/WAGONEER (2.5L) ENGINE SCHEMATIC

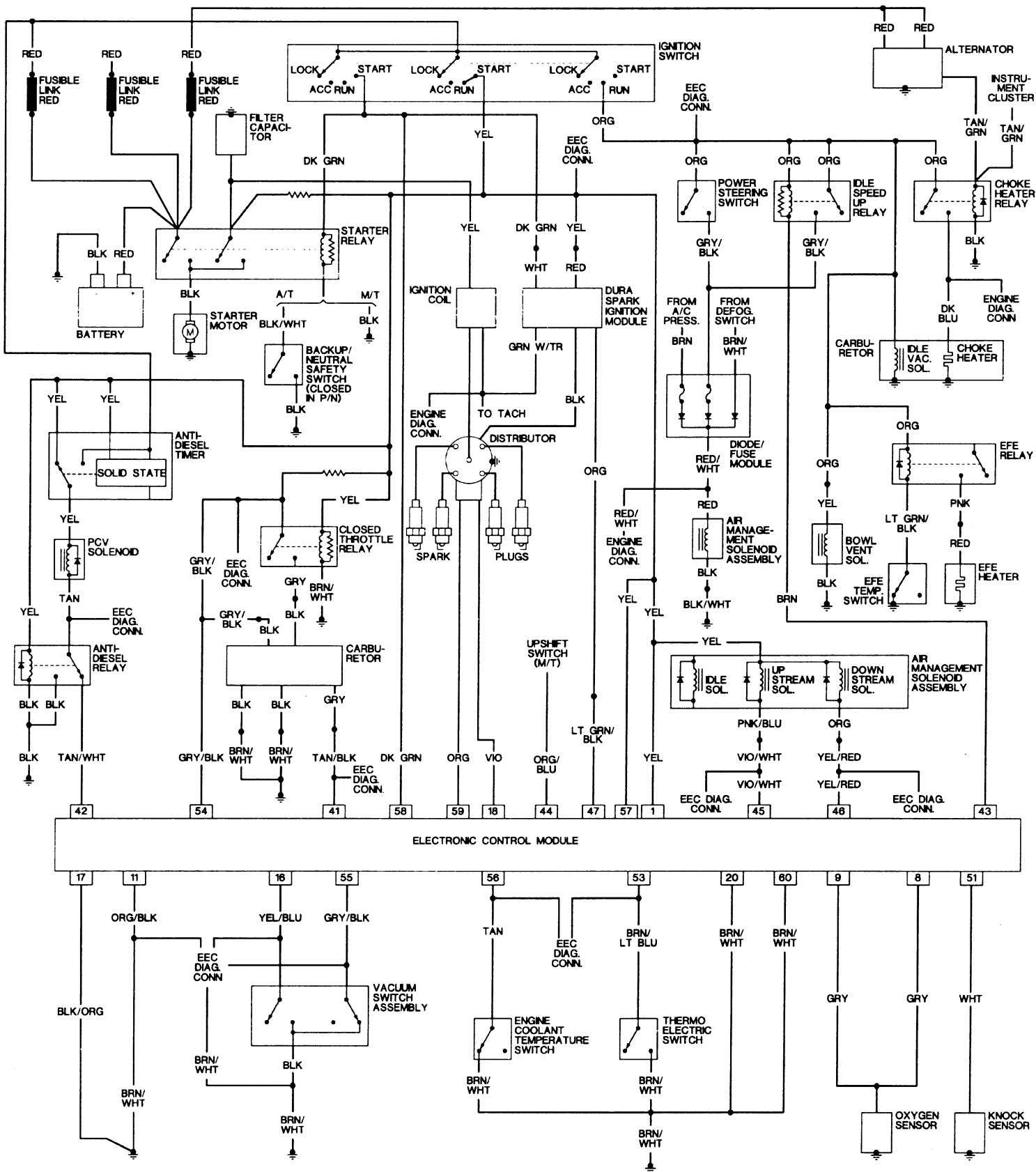


DIAGRAM 6