

# 1984-85 CHEROKEE/CHARGER (2.8L) ENGINE SCHEMATIC

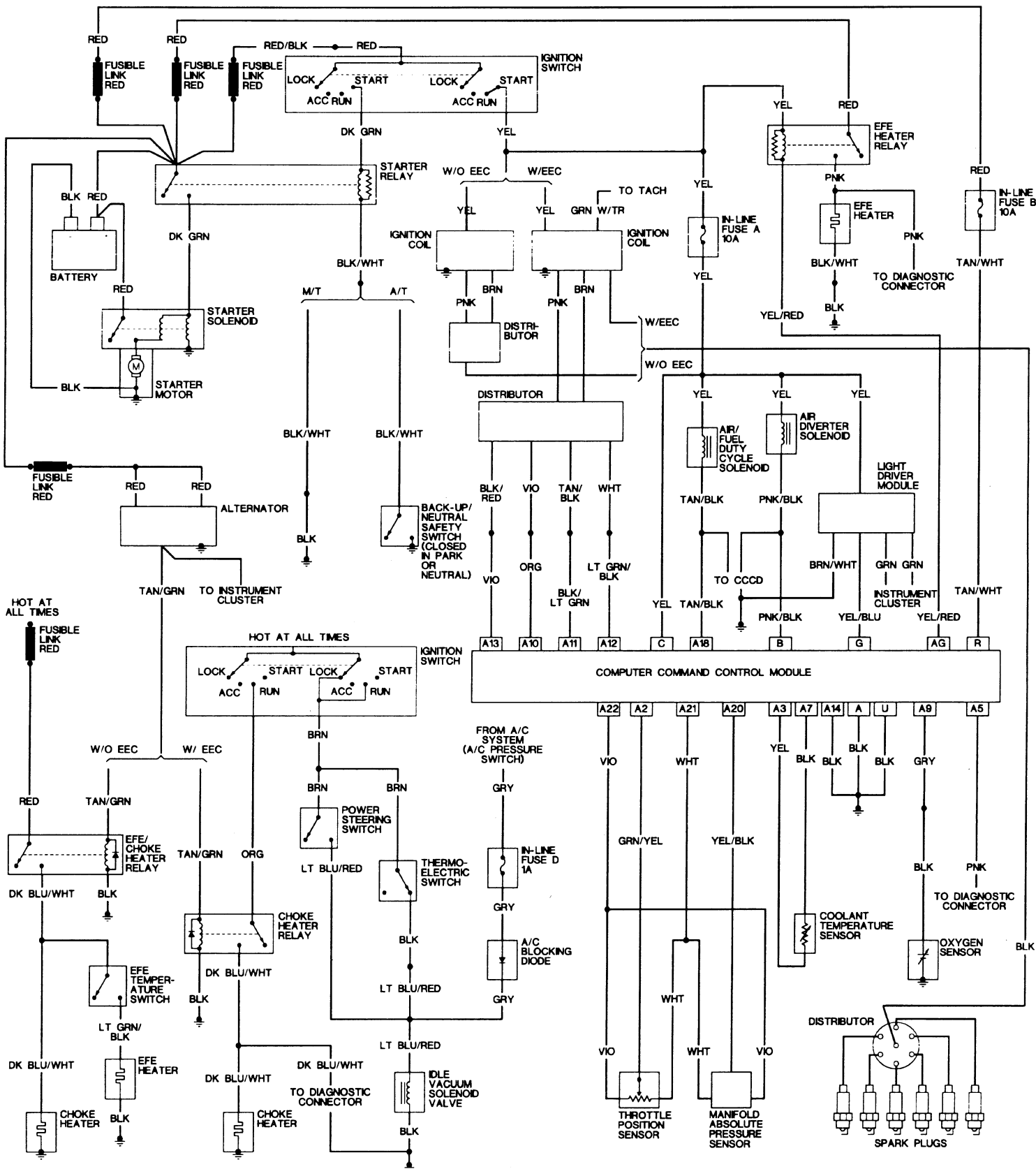


DIAGRAM 5