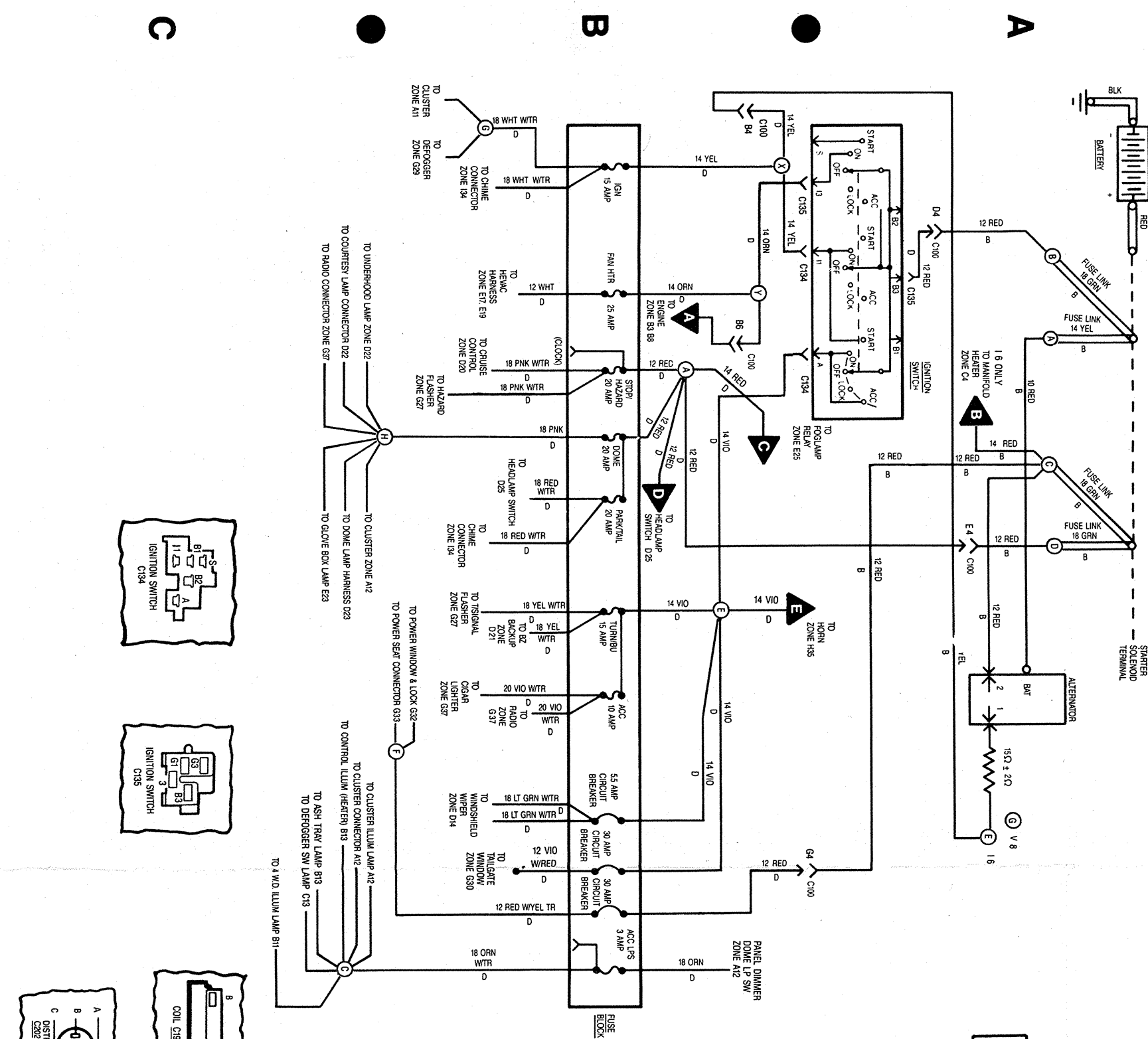
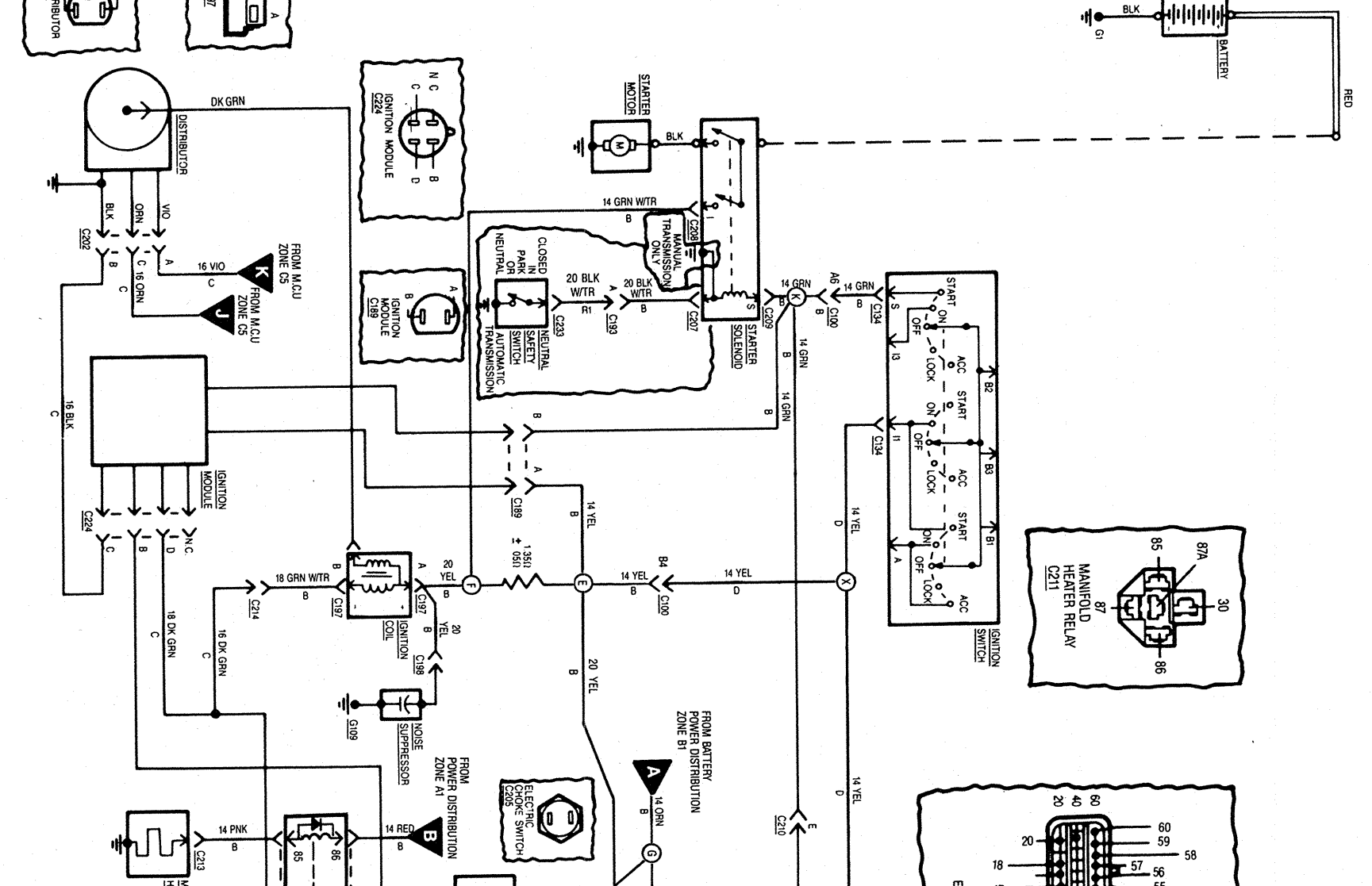


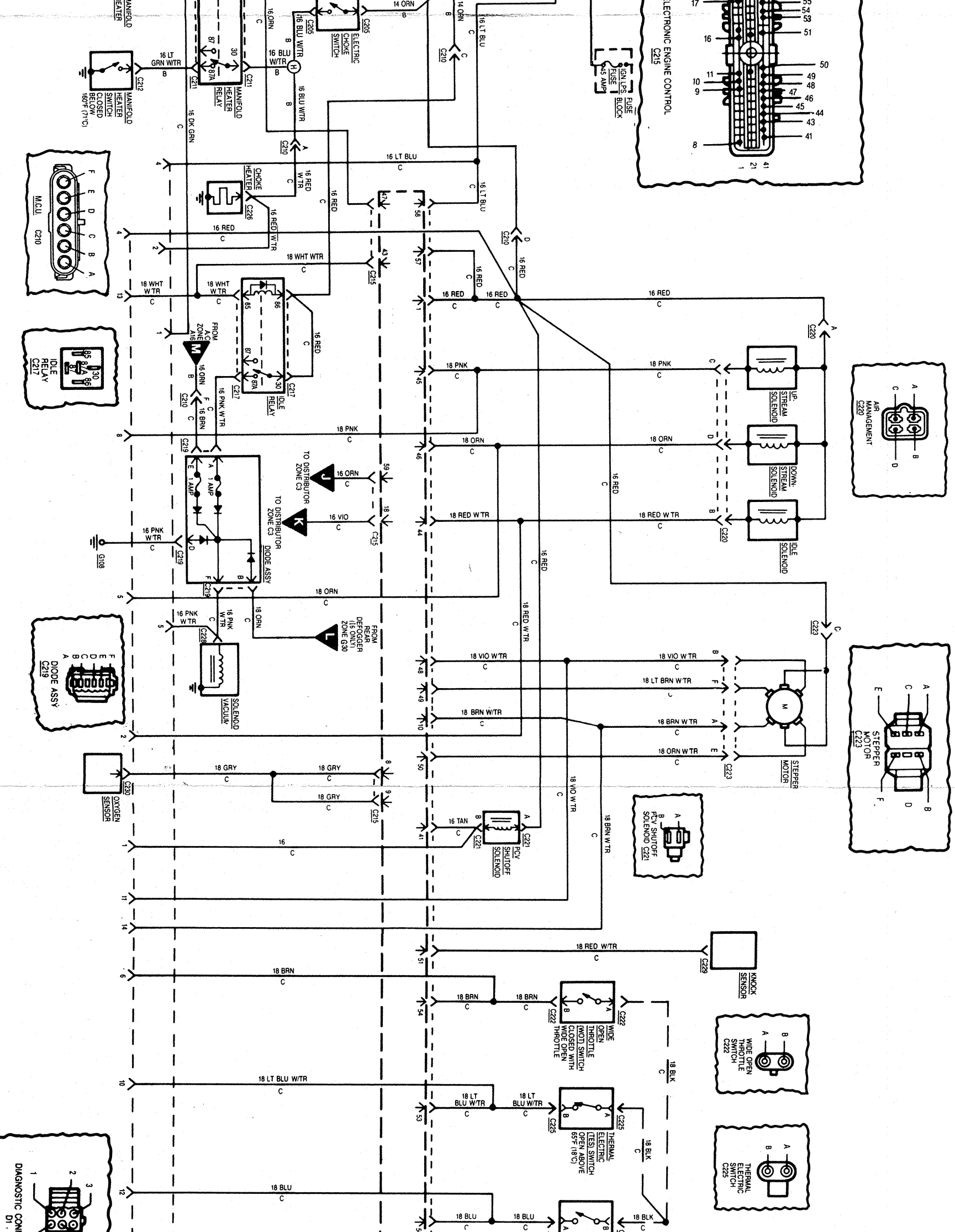
BATTERY POWER DISTRIBUTION SYSTEM



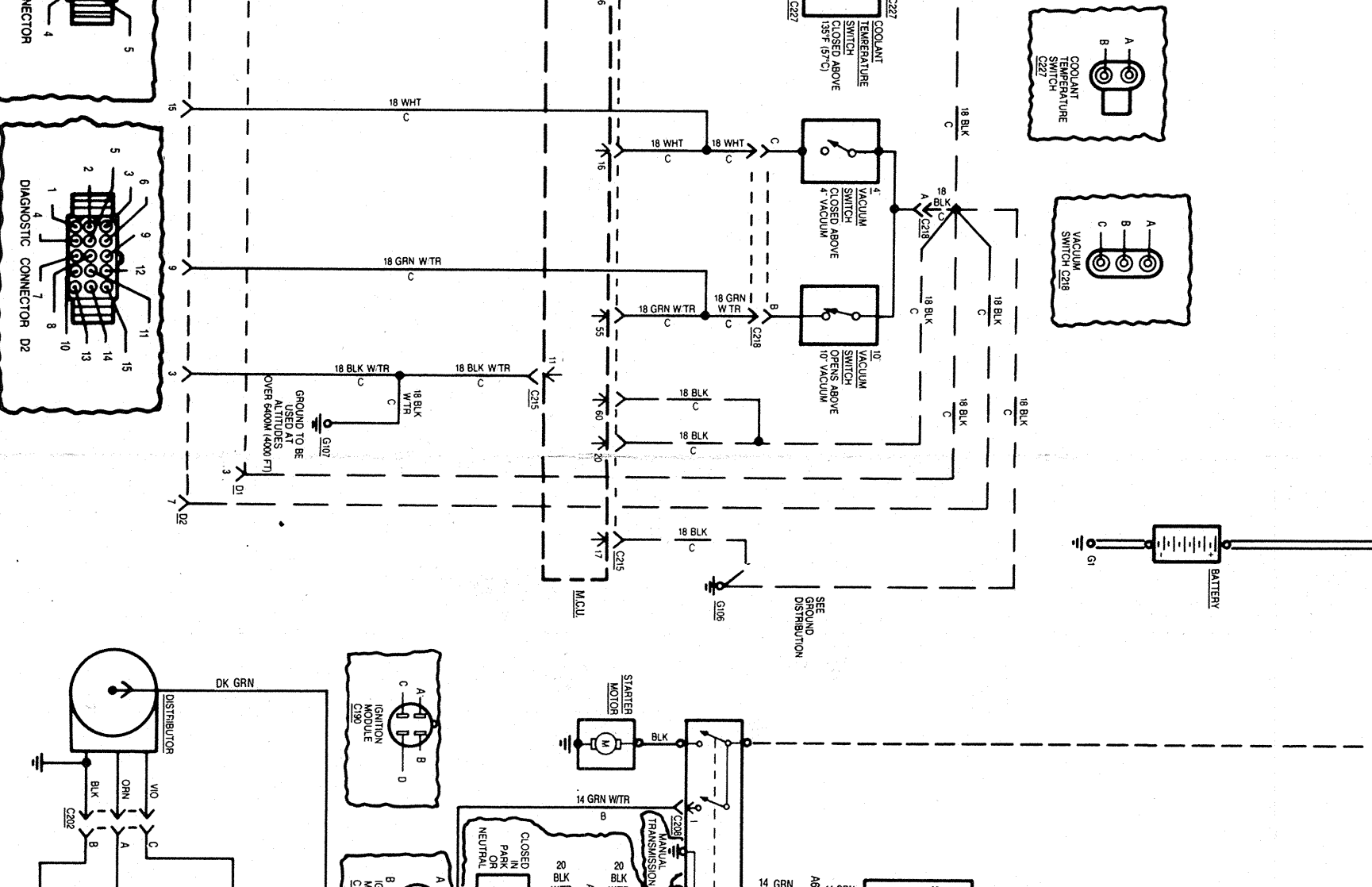
STARTER



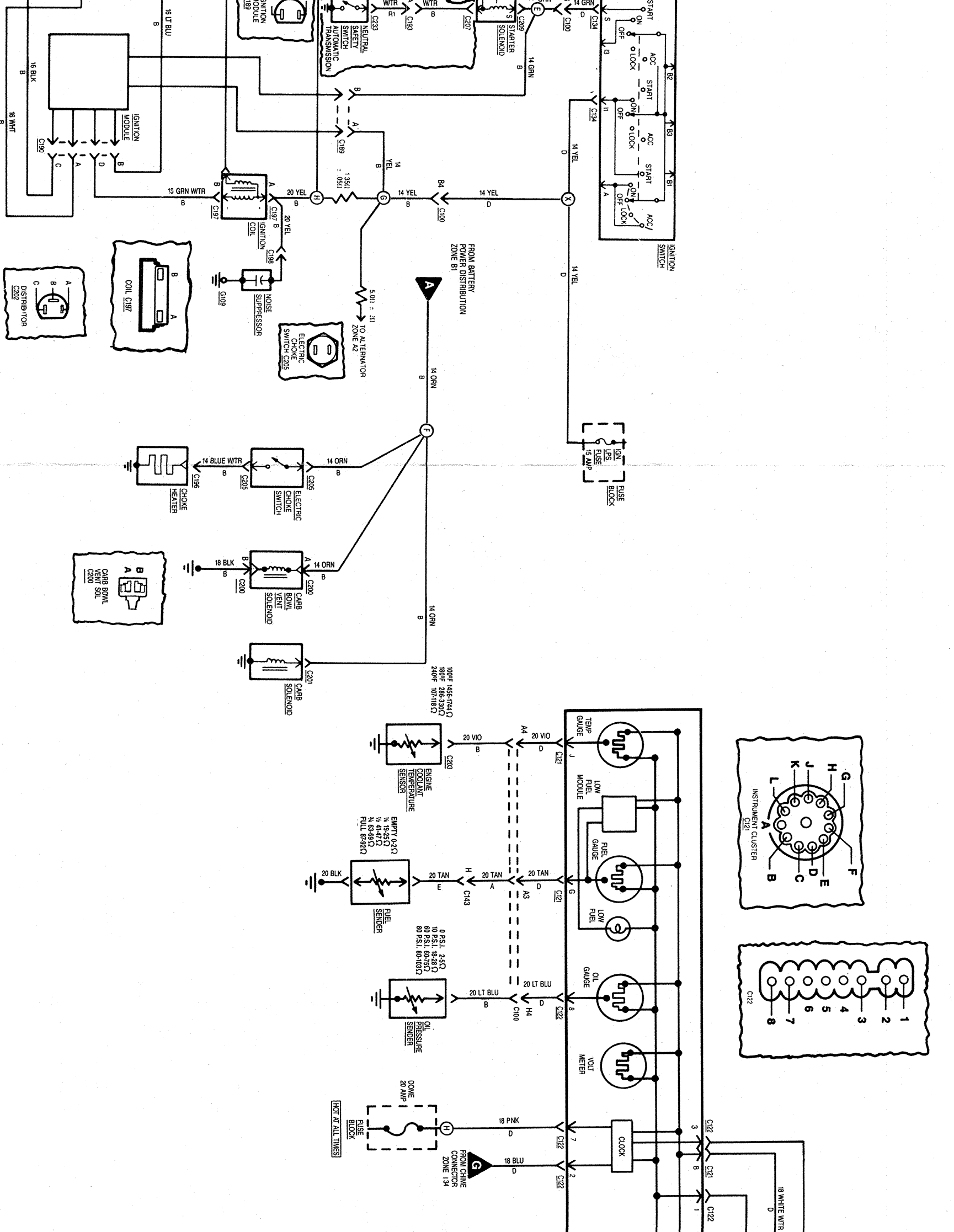
ENGINE 6 CYLINDER



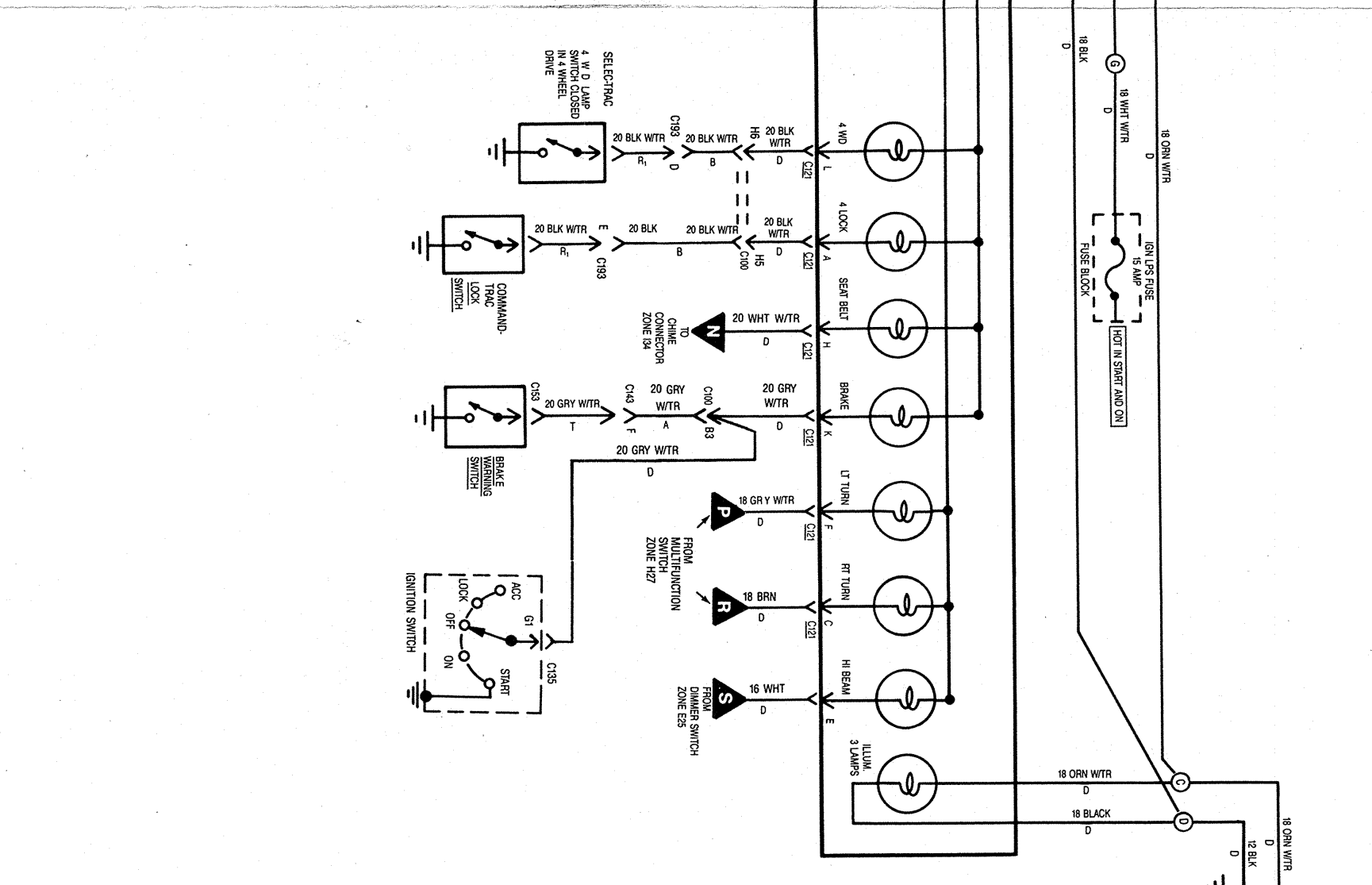
STARTER



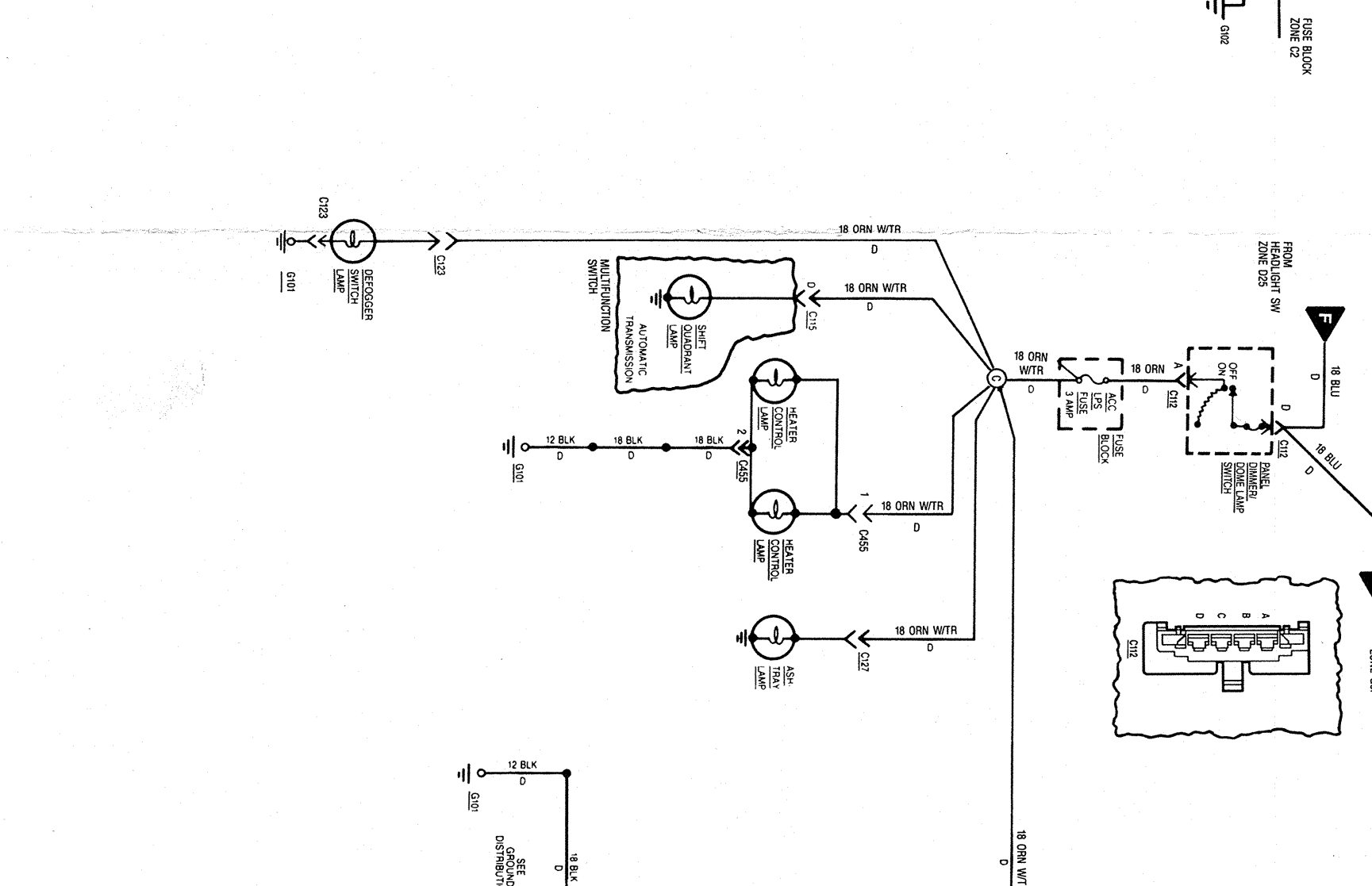
ENGINE 8 CYLINDER



INSTRUMENTS



CONTROL ILLUMINATION



- 1
- 2
- 3
- 4
- 5
- 6
- 7
- 8
- 9
- 10
- 11
- 12
- 13