

# 2005 JEEP WRANGLER (TJ)

## PARTS CATALOG

ILLUSTRATION AND TEXT  
(CHASSIS - BODY - TRIM)

October 2004

SUPERSEDES  
NEW  
ENGLISH



Jeep

CHRYSLER • PLYMOUTH • DODGE • JEEP

THE MOPAR DIFFERENCE

## INDEX TO INFORMATION PAGES

The use of this Parts Catalog and the arrangement of information herein is explained in the General Information Section as indexed below.

|  |        |
|--|--------|
| Abbreviations .....                            | INF-13 |
| Alphabetic Index .....                         | INF-10 |
| Body Code Plate Interpretation .....           | INF-12 |
| Catalog Groups - Titles & Contents .....       | INF-2  |
| How to Use This Catalog and Locate Parts ..... | INF-8  |
| Illustration Index .....                       | INF-10 |
| Illustration Numbering Index .....             | INF-9  |
| Index.....                                     | INF-1  |
| Logical Illustration Index.....                | INF-3  |
| Logical Illustrations .....                    | INF-9  |
| Numerical Index .....                          | INF-10 |
| Page Numbering.....                            | INF-9  |
| Part Packages .....                            | INF-10 |
| Standard Parts.....                            | INF-10 |
| Symbols Used in this Catalog.....              | INF-9  |
| VIN Plate Decoding Information .....           | INF-11 |

## CATALOG GROUPS - TITLES & CONTENT

| Group  | Content                                  |
|--------|--|
| 001    | Component Parts for Mopar Accessories    |
| 002    | Front Suspension & Drive                 |
| 003    | Rear Axle                                |
| 004    | Parking Brake                            |
| 005    | Service Brakes                           |
| 006    | Clutch                                   |
| 007    | Cooling                                  |
| 008    | Electrical                               |
| 009    | Engine Mounting                          |
| 011    | Exhaust                                  |
| 013    | Frames and Bumpers                       |
| 014    | Fuel                                     |
| 016    | Propeller Shafts and U-Joints            |
| 017    | Rear Suspension                          |
| 019    | Steering                                 |
| 022    | Wheels, Covers and Jacks                 |
| 024    | Air Conditioning & Heater                |
| 025    | Emission Systems                         |
| 08A    | Instrument Panel and Radios and Consoles |
| 2.4L   | Engine 2.4L Four Cylinder                |
| 21P    | Speedometer Pinions                      |
| 231    | Transfer Case Model 231                  |
| 23D    | Wiper/Lock Cylinder and Keys             |
| 241    | Transfer Case Model 241                  |
| 4.0L   | Engine 4.0L Six Cylinder                 |
| 42RLE  | Automatic Transmisstion 4 Speed          |
| DTJ    | Doors and Related Parts                  |
| ETJ    | Exterior Ornamentation                   |
| ITJ    | Interior Trim                            |
| LBLS   | Labels All Vehicle Locations             |
| NSG370 | Manual Transmission 6 Speed              |
| STJ    | Body Sheet Metal Except Doors            |

## LOGICAL ILLUSTRATION INDEX

| Group | Logical Illustration | Logical Illustration Name      |
|-------|----------------------|--------------------------------|
| 001   | 100                  | Audio & Electronics            |
| 001   | 200                  | Carriers & Cargo Hauling       |
| 001   | 400                  | Exterior Appearance            |
| 001   | 500                  | Exterior Protection            |
| 001   | 600                  | Fog Lights & Electrical        |
| 001   | 800                  | Interior Storage               |
| 001   | 900                  | Security                       |
| 002   | 100                  | Front Suspension               |
| 002   | 200                  | Front Axle Drive Shafts        |
| 002   | 300                  | Front Axle Housing             |
| 002   | 400                  | Front Axle Assembly            |
| 002   | 600                  | Front Axle Differential        |
| 003   | 100                  | Rear Axle                      |
| 003   | 200                  | Differential and Housing       |
| 003   | 400                  | Rear Axle Shafts               |
| 004   | 100                  | Parking Brake Lever and Cables |
| 005   | 100                  | Front Brakes                   |
| 005   | 200                  | Rear Brakes                    |
| 005   | 300                  | Power Brake Booster            |
| 005   | 400                  | Brake Master Cylinder          |
| 005   | 500                  | Brake Lines and Hoses          |
| 005   | 600                  | Brake Pedals                   |
| 006   | 100                  | Clutch                         |
| 006   | 200                  | Clutch Housing                 |
| 006   | 300                  | Clutch Controls                |
| 007   | 100                  | Radiator and Related Parts     |
| 007   | 200                  | Water Pump and Related Parts   |
| 007   | 300                  | Tank, Coolant Engine           |
| 007   | 400                  | Pulleys and Related Parts      |
| 007   | 500                  | Drive Belts                    |
| 007   | 600                  | Lines, Transmission Oil Cooler |
| 007   | 700                  | Grilles                        |
| 008   | 100                  | Starters                       |

|     |      |                                  |
|-----|------|----------------------------------|
| 008 | 1000 | Battery Tray and Cables          |
| 008 | 1100 | Lamps - Front, Rear and Courtesy |
| 008 | 1200 | Wiring-Engine & Related Parts    |
| 008 | 1300 | Wiring-Headlamp to Dash          |
| 008 | 1400 | Wiring-Instrument Panel          |
| 008 | 1500 | Wiring-Body & Accessories        |
| 008 | 1600 | Wiring Repair                    |
| 008 | 1700 | Air Bag Systems                  |
| 008 | 1900 | Spark Plugs-Cables-Coils         |
| 008 | 200  | Alternators                      |
| 008 | 400  | Modules                          |
| 008 | 500  | Relays                           |
| 008 | 600  | Sensors                          |
| 008 | 700  | Single Board Engine Controllers  |
| 008 | 800  | Switches                         |
| 008 | 900  | Horns                            |
| 009 | 100  | Engine Mounting                  |
| 011 | 100  | Exhaust System                   |
| 011 | 200  | Heat Shields                     |
| 013 | 100  | Frames                           |
| 013 | 200  | Front Bumper and Fascia          |
| 013 | 300  | Rear Bumper and Fascia           |
| 013 | 500  | Body Hold Down                   |
| 014 | 100  | Tank, Fuel                       |
| 014 | 1000 | Speed Control                    |
| 014 | 1100 | Accelerator Pedal                |
| 014 | 200  | Fuel Tank Filler Tube            |
| 014 | 300  | Fuel Lines                       |
| 014 | 400  | Fuel Rail                        |
| 014 | 500  | Fuel Pump and Sending Unit       |
| 014 | 600  | Throttle Body                    |
| 014 | 700  | Throttle Controls                |
| 014 | 800  | Air Cleaner                      |
| 016 | 100  | Propeller Shaft                  |
| 017 | 100  | Rear Suspension                  |
| 017 | 200  | Rear Stabilizer                  |

|      |      |                                     |
|------|------|-------------------------------------|
| 019  | 100  | Steering Wheel                      |
| 019  | 200  | Steering Column                     |
| 019  | 300  | Steering Gear                       |
| 019  | 400  | Steering Linkage                    |
| 019  | 500  | Power Steering Pump                 |
| 019  | 700  | Power Steering Hoses                |
| 022  | 100  | Wheels and Hardware                 |
| 022  | 200  | Wheel Covers and Center Caps        |
| 022  | 300  | Jack Stowage                        |
| 022  | 400  | Spare Tire Stowage                  |
| 024  | 100  | Air Conditioner and Heater Units    |
| 024  | 200  | Air Conditioner and Heater Plumbing |
| 024  | 300  | Air Conditioner and Heater Controls |
| 024  | 400  | Air Conditioning Compressor         |
| 024  | 600  | Air Ducts and Outlets               |
| 025  | 300  | Vacuum Canister                     |
| 025  | 400  | Emission Harness                    |
| 08A  | 100  | Instrument Panel                    |
| 08A  | 200  | Instrument Panel Cluster            |
| 08A  | 300  | Radio, Antenna, and Speakers        |
| 08A  | 400  | Consoles                            |
| 2.4L | 200  | Cylinder Head                       |
| 2.4L | 300  | Cylinder Block                      |
| 2.4L | 400  | Crankshaft, Piston, and Drive Plate |
| 2.4L | 500  | Camshafts and Valves                |
| 2.4L | 600  | Timing Belt and Cover               |
| 2.4L | 700  | Engine Oiling                       |
| 2.4L | 800  | Manifolds                           |
| 2.4L | 900  | Crankcase Ventilation               |
| 21P  | 100  | Speedometer Pinions                 |
| 231  | 100  | Transfer Case Assembly              |
| 231  | 1200 | Gearshift Controls                  |
| 231  | 200  | Case and Related Parts              |
| 231  | 400  | Gear Train                          |
| 231  | 900  | Fork and Rails                      |
| 23D  | 100  | Lock Cylinders and Keys             |

|       |      |   |
|-------|------|---|
| 23D   | 200  | Windshield Wiper and Washer Systems     |
| 23D   | 300  | Rear Wiper and Washer System            |
| 241   | 100  | Transfer Case Assembly                  |
| 241   | 1200 | Gearshift Controls                      |
| 241   | 200  | Case and Related Parts                  |
| 241   | 400  | Gear Train                              |
| 241   | 900  | Fork and Rails                          |
| 4.0L  | 200  | Cylinder Head                           |
| 4.0L  | 300  | Cylinder Block                          |
| 4.0L  | 400  | Crankshaft, Piston and Torque Converter |
| 4.0L  | 500  | Camshafts & Valves                      |
| 4.0L  | 600  | Timing Belt and Cover                   |
| 4.0L  | 700  | Engine Oiling                           |
| 4.0L  | 800  | Manifolds                               |
| 4.0L  | 900  | Crankcase Ventilation                   |
| 42RLE | 100  | Transmission Assembly                   |
| 42RLE | 1200 | Gearshift Controls                      |
| 42RLE | 200  | Case and Extension                      |
| 42RLE | 300  | Oil Pump                                |
| 42RLE | 400  | Gear Train                              |
| 42RLE | 700  | Valve Body                              |
| DTJ   | 100  | Front Door                              |
| DTJ   | 500  | Exterior Mirror                         |
| DTJ   | 600  | Weatherstrips and Seals                 |
| ETJ   | 200  | Moldings and Ornamentation              |
| ETJ   | 300  | Decals and Tapestripes                  |
| ITJ   | 100  | Headliner and Visor                     |
| ITJ   | 200  | Moldings, Scuff Plates                  |
| ITJ   | 300  | Carpet                                  |
| ITJ   | 400  | Door Trim Panels- Front and Rear        |
| ITJ   | 500  | Front Seats and Attaching Parts         |
| ITJ   | 600  | Rear Seats and Attaching Parts          |
| ITJ   | 700  | Seat Belts-Front and Rear               |
| ITJ   | 800  | Adjusters, Covers, Shields, and Risers  |
| LBSL  | 100  | Interior                                |
| LBSL  | 200  | Under Hood                              |

|        |      |                            |
|--------|------|----------------------------|
| LBSL   | 300  | Doors                      |
| LBSL   | 400  | Exterior                   |
| NSG370 | 100  | Transmission               |
| NSG370 | 1200 | Gear Shift Controls        |
| NSG370 | 200  | Case & Extension           |
| NSG370 | 400  | Gear Train                 |
| NSG370 | 900  | Forks and Rails            |
| STJ    | 1100 | Roof - Hard & Soft Top     |
| STJ    | 1300 | Tailgate                   |
| STJ    | 1600 | Luggage Rack               |
| STJ    | 200  | Floor Pans                 |
| STJ    | 300  | Plugs                      |
| STJ    | 400  | Front Fenders              |
| STJ    | 500  | Hood and Hood Release      |
| STJ    | 600  | Cowl and Dash Panel        |
| STJ    | 700  | Glass and Rear View Mirror |
| STJ    | 800  | Aperture Panel             |

## HOW TO USE THIS CATALOG AND LOCATE PARTS

**This Catalog is divided into Part Groups in which illustrations for parts of a similar function and/or location are published. The Group contents listing on the next page shows the type of parts contained in each group. Tabs are provided or available to separate each group.**

Several methods may be used to locate a specific part:

**Option 1:** From the Group Contents listing. Select the group which would most logically contain the part to be found. Open the catalog to the beginning of that group. The first page of the group will contain the part. Turn to the selected illustration and locate the part by reviewing the illustration item numbers and associated text information following the illustration.

**Option 2:** If the "noun" name of the part you seek is known, an alphabetical index of Nouns and illustration titles is provided to assist in finding the part. Several keys may be found in this index.

|   |                             |
|---|-----------------------------|
| RESERVOIR, Power Steering Oil Pump Group 19 | Group Reference             |
| ALTERNATOR All Engines 8-210                | Illustration Reference      |
| BELT, Front Seat Imdl/710/3                 | Illustration/Item Reference |

|                           |   |
|---------------------------|---|
| Group by Model _____      | } |
| Illustration Number _____ |   |
| Item _____                |   |

**Option 3:** If the part number is known but the applications need to be determined, refer to the numerical index. This index shows the group, illustration number and each part listed in the catalog. Multiple references mean the part is listed more than once.

**Option 4:** Other options such as group identifiers exist in these catalogs. For Example, Group 23 Body has been broken in sections, i.e. 23A Sheet Metal now is S(model code). Example: SGS for model GS. Group 23C Doors now is D(model code) ex. DGS. Group 23 Exterior Ornamentation now is E(model code). This same logic applies to the Interior Trim Section (ex. IGS).

The Group 9 Engine sections in prior parts catalogs had been numbered 9A, 9B, 9C, etc. There was no real meaning to this numbering scheme. In this new MACS produced catalog the group numbering scheme is as follows: 2.5LD means 2.5 Liter Diesel Engine; 2.0L means 2.0 Liter Four Cylinder Gas Engine; 3.3L6T means 3.3 Liter Six Cylinder Transverse Mounted Engine; and 3.8L means 3.8 Liter Six Cylinder Engine. Also note that Engine Mounting parts are located in Group 9.

## PAGE NUMBERING

Two-part page numbers are used throughout this catalog. The first part of the page designation indicates one major group or section. The second part indicates the actual page number in the group. For example:

2-1 indicates Group 2, Front Suspension, Page 1  
 3-4 indicates Group 3, Axle Rear, Page 4

In the maintenance of the Loose Leaf Parts Catalog Revision Service, it may become necessary to add information beyond the capacity of the page. In this event, an "A" page will be used. For example, if it becomes necessary, because of change, to add several part numbers to page 2-1 and space does not permit the addition, you will be given Page 2-1A. Page 2-1A should be filed immediately following Page 2-1.

Figure and Item Numbers are also commonly used to identify locations in the Catalog, i.e., 14-910/8 refers to Group 14, illustration 910, Item Number 8. Illustration Numbers are always ascending sequential within the Groups.

## SYMBOLS USED IN THIS CATALOG

The Following symbols are commonly used with Part Number and Quantity information in this Catalog:

AR - Indicates the quantity required may vary or is to be determined by the user.

PAR - Indicates "Paint As Required"

BLANK - Indicates "All Condition"

- = "Not Illustrated"

## LOGICAL ILLUSTRATIONS

Refer to Illustration in front of each group. This will give assistance to as how each group is broken down and what Specific Illustration should be referenced.

## ILLUSTRATION NUMBERING INDEX

Illustration numbers in this Catalog are Group standards. This indicates group and consistent content. EXAMPLE: 8-100 is a Logical Illustration for Starters. 8-101 to 8-199 are Specific Illustrations used for Starters for all Catalogs. 8-200 will contain Alternators for all Catalogs and so on. Always refer to group index in front of each group.

## ILLUSTRATION INDEX

This index is a compilation of catalog parts description data with reference to illustrations, figures and key numbers as shown:

Fender ie; Model.....Group: S(Model) .....Illustration 410  
(Fender is located in Sheet Metal Section (S) in Illustration 410)

The first page of each group contains a listing of all illustrations and group breakdown within that group. Also refer to illustrations alphabetically listed in information section.

## ALPHABETIC INDEX

This index is a compilation of catalog parts description data with a reference to the location of the item by Group, Figure, and Key Number as shown in the following example:

Housing, w/Pump.....Group 7 Illustration 210 Item 10  
(Housing, w/Pump.....7-210/10)

The index will be expanded progressively as data is added to computer files. To locate a part by name refer to the Alphabetical Index. This index indicates the group and illustration and item number where the part is located. Alphabetical Index can be found in INF section of this Catalog.

## NUMERICAL INDEX

A listing of Part Numbers contained in the catalog. The numbers are in numerical sequence with reference to the group and Illustration and item number where the part is located.

## PARTS PACKAGES

Service Parts Packages, containing all parts needed for specific service operation, are listed in their respective groups with related parts. The listing will show adaptability and model application.

## STANDARD PARTS

Important attaching standard parts such as bolts, nuts, etc, are generally listed in the text of the respective major parts groups.

## VIN PLATE DECODING INFORMATION

|          |          |              |          |          |          |            |          |             |            |             |                   |
|----------|----------|--------------|----------|----------|----------|------------|----------|-------------|------------|-------------|-------------------|
| <b>1</b> | <b>2</b> | <b>3</b>     | <b>4</b> | <b>5</b> | <b>6</b> | <b>7</b>   | <b>8</b> | <b>9</b>    | <b>10</b>  | <b>11</b>   | <b>12 thru 17</b> |
| Country  | Make     | Vehicle Type | Other    | Line     | Series   | Body Style | Engine   | Check Digit | Model Year | Assy. Plant | Sequence No.      |

The following table interprets the VIN Plate positions shown above.

| Position   | Interpretation         | Codes = Description  |
|------------|------------------------|--|
| 1          | Country of Origin      | 1 = U.S.   |
| 2          | Make                   | J = Jeep   |
| 3          | Vehicle type           | 4 = Multipurpose Passenger Vehicle   |
| 4          | GVWR & Pass. Safety    | D=0-1360 kg (0-3000 lbs)<br>E=1361-1814 kg (3001-4000 lbs)<br>F=1815-2267 kg (4001-5000 lbs)           |
| 5          | Vehicle Line           | A = Wrangler 4x4 Left Hand Drive<br>4 = Wrangler 4x4 Right Hand Drive                                  |
| 6          | Series                 | 2 = Wrangler SE<br>3 = Wrangler X<br>4 = Wrangler Sport<br>5 = Wrangler Sahara<br>6 = Wrangler Rubicon |
| 7          | Body Style             | 9 = Open Body (77)   |
| 8          | Engine                 | 1 = 2.4L V4 DOHC (ED1)<br>S = 4.0L V6 (ERH)  |
| 9          | Check Digit            |  |
| 10         | Model Year             | 5 = 2005   |
| 11         | Assembly Plant         | P = Toledo #2  |
| 12 thru 17 | Vehicle Build Sequence | Model Year Assembly Sequence   |

## BODY CODE PLATE INTERPRETATION

The Body Code Plate is located on the Left Front Side Shield or Wheel Housing or the Upper Radiator Support. The Plate contains 7 rows of data. The bottom 3 rows are reserved for the specific information as depicted below. Starting at the fourth row (following the reserved portion), other Sales Codes used to build a specific vehicle are listed in the ascending order by ALPHA sequence.

|    |    |    |    |    |    |    |    |    |    |    |    |    |    |    |    |    |    |    |    |    |
|----|----|----|----|----|----|----|----|----|----|----|----|----|----|----|----|----|----|----|----|----|
| 1  | 2  | 3  | 4  | 5  | 6  | 7  | 8  | 9  | 10 | 11 | 12 | 13 | 14 | 15 | 16 | 17 | 18 | 19 | 20 | 21 |
| 22 | 23 | 24 | 25 | 26 | 27 | 28 | 29 | 30 | 31 | 32 | 33 | 34 | 35 | 36 | 37 | 38 | 39 |    |    |    |
| 40 | 41 | 42 | 43 | 44 | 45 | 46 | 47 | 48 | 49 | 50 | 51 | 52 | 53 | 54 | 55 | 56 | 57 | 58 | 59 | 60 |

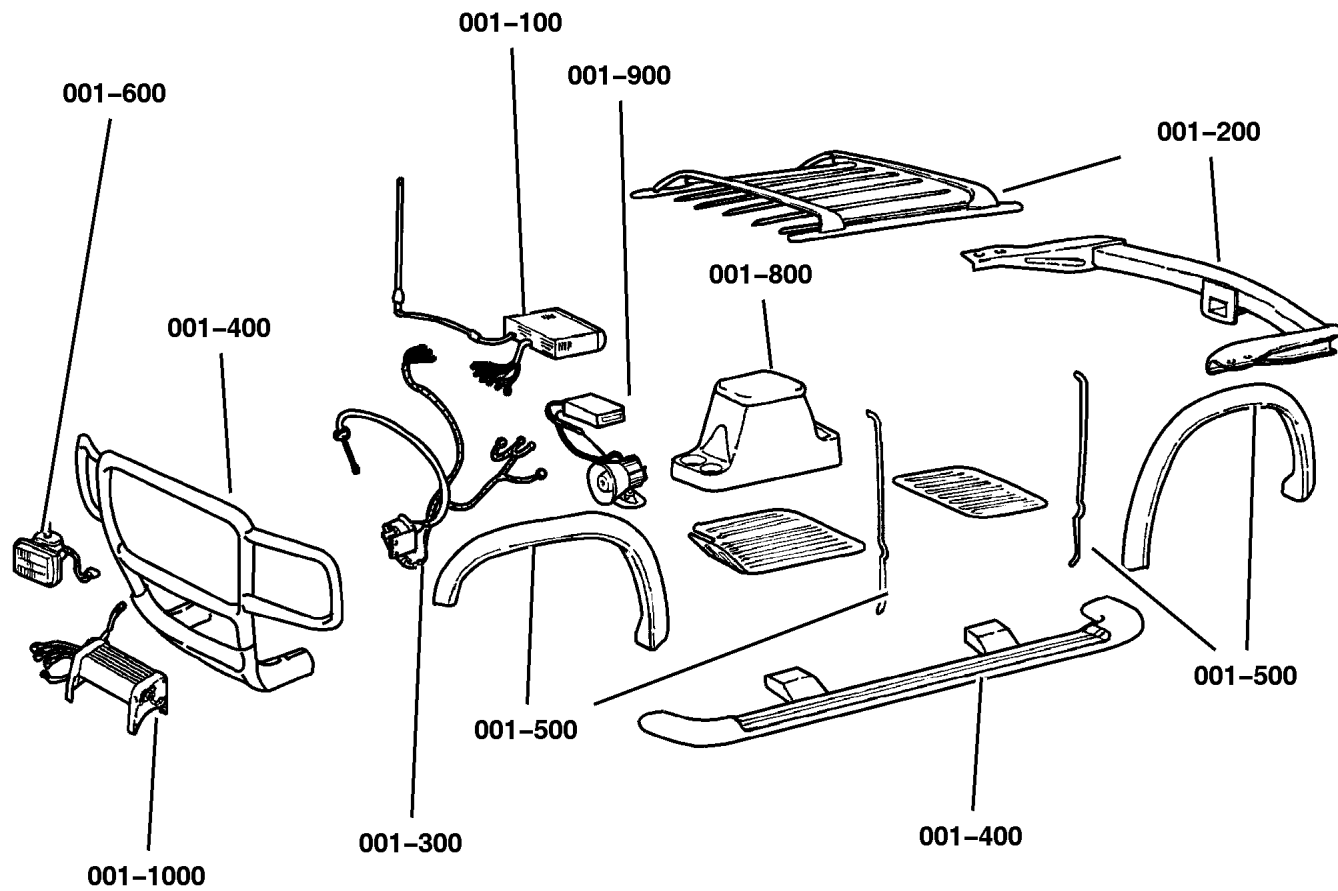
|       |  |
|-------|--|
| 1-12  | VEHICLE ORDER NUMBER   |
| 13-15 | VINYL ROOF CODE/DOOR COMBO CODES   |
| 16-18 | VEHICLE SHELL CAR LINE   |
| 19    | PRICE CLASS  |
| 20-21 | BODY TYPE  |
| 22-24 | PAINT PROCEDURE  |
| 25-28 | PRIMARY PAINT  |
| 29-32 | SECONDARY PAINT  |
| 33-36 | INTERIOR TRIM CODE   |
| 37-39 | ENGINE CODES   |
| 40-42 | TRANSMISSION CODES   |
| 43    | MARKET CODES   |
| 44-46 | VEHICLE IDENTIFICATION NUMBER (VIN)<br>For definition of the Elements and the individual position see Vin Plate Defined. |

## ABBREVIATIONS

|        |   |
|--------|---|
| A/C    | Air Conditioner                               |
| ABS    | Anti-Lock Brakes System                       |
| AR     | As Required                                   |
| ATC    | Automatic Temperature Control                 |
| AWD    | All Wheel Drive                               |
| BUX    | Built Up Export                               |
| CV     | Constant Velocity                             |
| DOHC   | Dual (or Double) OverHead Cam                 |
| EFI    | Electronic Fuel Injection                     |
| EGR    | Exhaust Gas Recirculation                     |
| ECU    | Electronic Control Unit                       |
| FWD    | Front Wheel Drive                             |
| HEX    | HEXagon                                       |
| HCU    | Hydraulic Control Unit                        |
| I/D    | Inside Diameter                               |
| L      | Liter   |
| LED    | Light Emitting Diode                          |
| MAP    | Manifold Absolute Pressure                    |
| MPH    | Miles Per Hour                                |
| O/D    | Outside Diameter                              |
| P/S    | Power Steering                                |
| PSI    | Pounds per Square Inch                        |
| PSF    | Pounds per Square Foot                        |
| PRNODL | Park, Reverse, Neutral, Overdrive, Drive, Low |
| PRNDL  | Park, Reverse, Neutral, Drive, Low            |
| PTO    | Power Take Off                                |
| RFI    | Radio Frequency Interference                  |
| RPM    | Revolutions Per Minute                        |
| RTV    | Room Temperature Vulcanizer (sealant)         |
| T/BODY | Throttle BODY                                 |
| U/BODY | Under BODY                                    |
| SOHC   | Single OverHead Cam                           |
| PAR    | Paint As Required                             |

# Group - 001

## Component Parts for Mopar Accessories



### GROUP 1 - Component Parts for Mopar Accessories

Illustration Title

Group-Fig. No.

#### Audio & Electronics

|   |              |
|---|--------------|
| Player Kit - CD - Changer - 6 Disc .....        | Fig. 001-110 |
| Navigation Kit (RB1) With RB1 Radio .....       | Fig. 001-130 |
| Satellite Receiver Kit .....                    | Fig. 001-155 |
| Install Kit Satellite Receiver Without CD ..... | Fig. 001-160 |

#### Carriers & Cargo Hauling

|  |              |
|--|--------------|
| Bike Carrier - Hitch Mount 2 Bikes ..... | Fig. 001-220 |
| Ski Carrier - Spare Tire Mount .....     | Fig. 001-232 |
| Trailer Tow - Receiver Kit .....         | Fig. 001-250 |

#### Exterior Appearance

|                                 |              |
|---------------------------------|--------------|
| Bumper Kit- Front Tubular ..... | Fig. 001-410 |
| Bumper Kit - Rear Tubular ..... | Fig. 001-420 |
| Side Step Kit .....             | Fig. 001-440 |

#### Exterior Protection

|                              |              |
|------------------------------|--------------|
| Shield Kit - Air Front ..... | Fig. 001-510 |
| Hardtop Wiring Kit .....     | Fig. 001-550 |

#### Fog Lights & Electrical

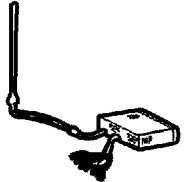

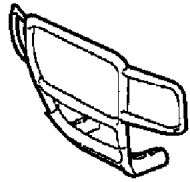




|                                     |              |
|-------------------------------------|--------------|
| Light Kit - Fog .....               | Fig. 001-610 |
| Bar Kit - Light Windshield .....    | Fig. 001-630 |
| Install Kit - Off Road Lights ..... | Fig. 001-640 |
| Heater Kit - Engine Block .....     | Fig. 001-650 |

#### Interior Storage

|                           |              |
|---------------------------|--------------|
| Console Kit - Floor ..... | Fig. 001-820 |
|---------------------------|--------------|

#### Security

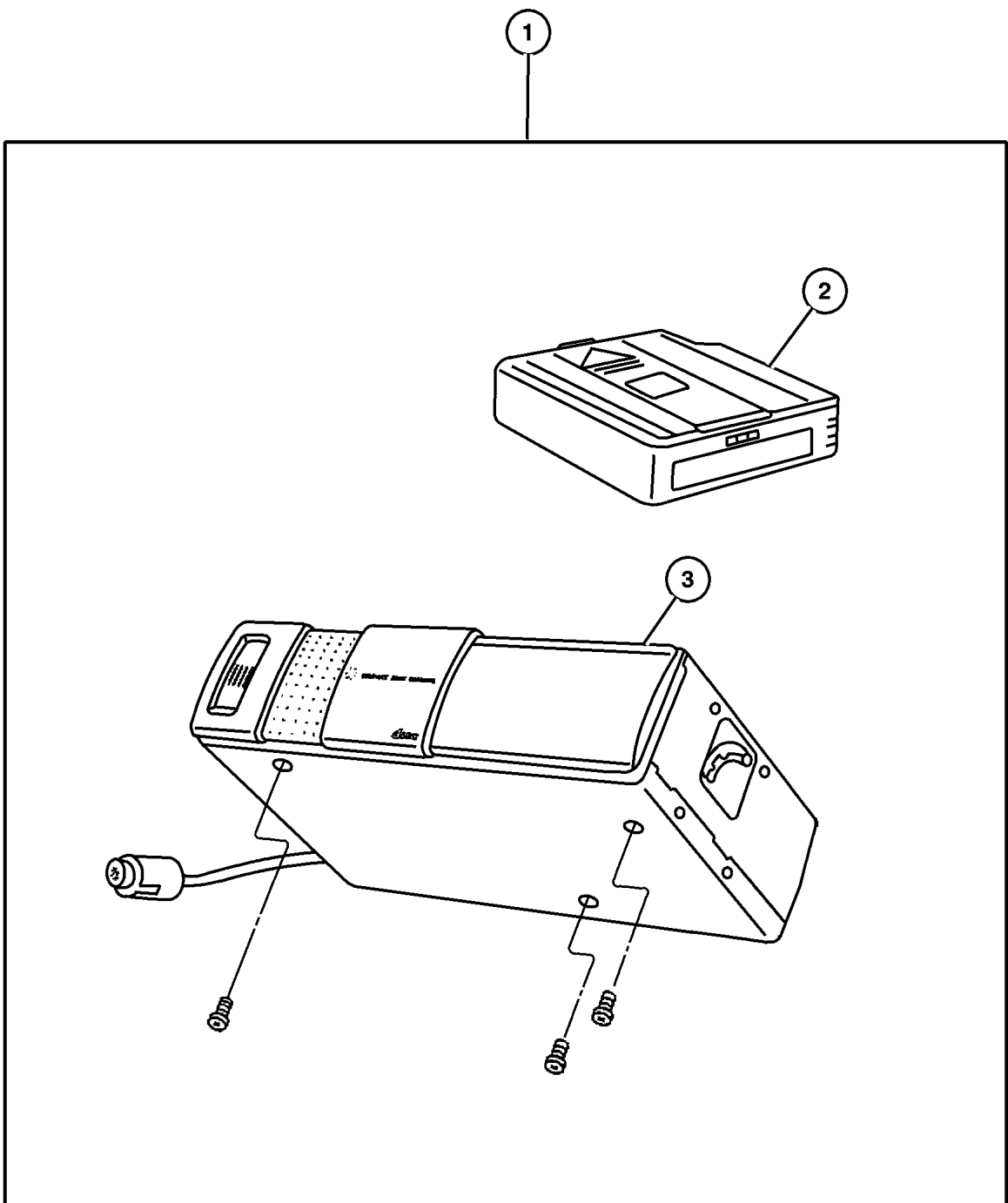
|                               |              |
|-------------------------------|--------------|
| Alarm - EVS Base System ..... | Fig. 001-910 |
|-------------------------------|--------------|

|   |  |   |   |
|---|--|---|---|
| <p><b>001-100</b><br/>Audio &amp; Electronics</p>      | <p><b>001-200</b><br/>Carriers &amp; Cargo Hauling</p>  | <p><b>001-400</b><br/>Exterior Appearance</p>  | <p><b>001-500</b><br/>Exterior Protection</p>  |
| <p><b>001-600</b><br/>Fog Lights &amp; Electrical</p>  | <p><b>001-800</b><br/>Interior Storage</p>              | <p><b>001-900</b><br/>Security</p>             |   |



**Player Kit - CD - Changer - 6 Disc  
Figure 001-110**

| ITEM  | PART NUMBER | QTY | LINE | SERIES | BODY | ENGINE | TRANS | TRIM | DESCRIPTION                                   |
|---|-------------|-----|------|--------|------|--------|-------|------|---|
| Note; For Warranty Repair On Item 3, Order Using Z Prefix |             |     |      |        |      |        |       |      |   |
| 1   | 8220 7483   | 1   |      |        |      |        |       |      | PLAYER KIT, CD Changer - 6 Disc               |
| 2   | 4797 433    | 1   |      |        |      |        |       |      | MAGAZINE, CD Changer                          |
| 3   |             |     |      |        |      |        |       |      | CHANGER, CD, (NOT SERVICED)<br>(Not Serviced) |



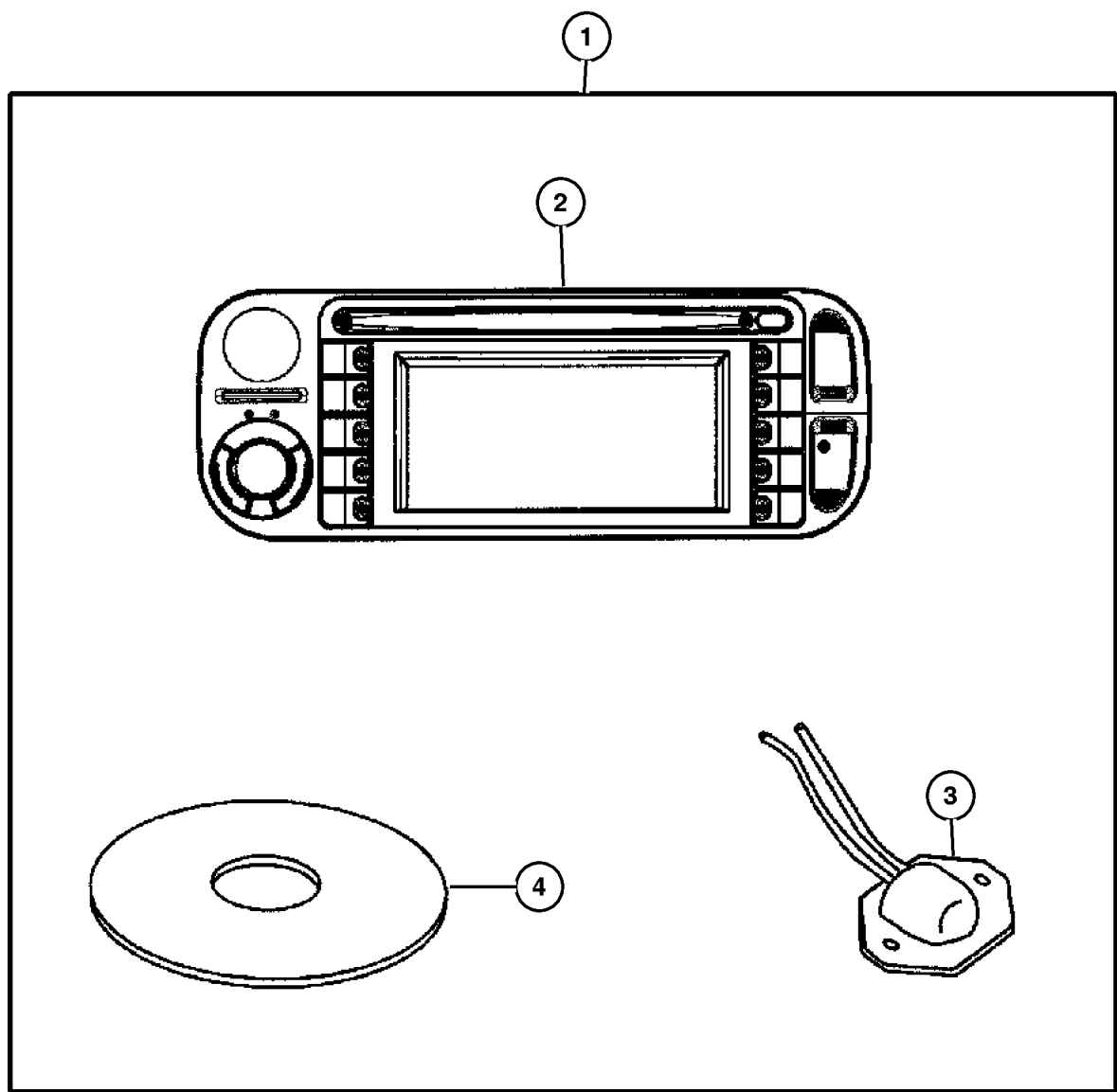
|                           |                        |              |                       |                              |
|---------------------------|------------------------|--------------|-----------------------|------------------------------|
| <b>JEEP WRANGLER (TJ)</b> |                        |              |                       |                              |
| SERIES                    | LINE                   | BODY         | ENGINE                | TRANSMISSION                 |
| H = Sport                 | J = Wrangler 4WD       | 77 = 93.4 WB | ED1, ED0 = 2.4L DOHC  | DGG, DGD = 32RH 3 Spd. Auto. |
| L = SE                    | U = Wrangler 4WD (RHD) |              | ERH = 4.0L Power Tech | DDD = 5 Speed HD Manual      |
| M = X                     |                        |              |                       | DG0 = Auto. Trans.           |
| P = Sahara                |                        |              |                       | DBB = Manual Trans.          |
| S = Rubicon               |                        |              |                       | DDK = 5 Speed Manual         |

AR = Use as required - = Non illustrated part # = New this model year

August 27, 2004

**Navigation Kit (RB1) With RB1 Radio  
Figure 001-130**

| ITEM  | PART NUMBER | QTY | LINE | SERIES | BODY | ENGINE | TRANS | TRIM | DESCRIPTION                         |
|---|-------------|-----|------|--------|------|--------|-------|------|-------------------------------------|
| Note: For Warranty Repair On Item 2, Order Using Z Prefix |             |     |      |        |      |        |       |      |                                     |
| 1   | 82208 715AB | 1   |      |        |      |        |       |      | RADIO, AM/FM CD W/NAV/DVD & CD-CTRL |
| 2   | 56038 629AG | 1   |      |        |      |        |       |      | RADIO, AM/FM CD W/NAV/DVD & CD-CTRL |
| 3   | 56038 630AA | 1   |      |        |      |        |       |      | ANTENNA, GPS                        |
| 4   | 5064 033AA  | 1   |      |        |      |        |       |      | DVD, Geographic Database            |

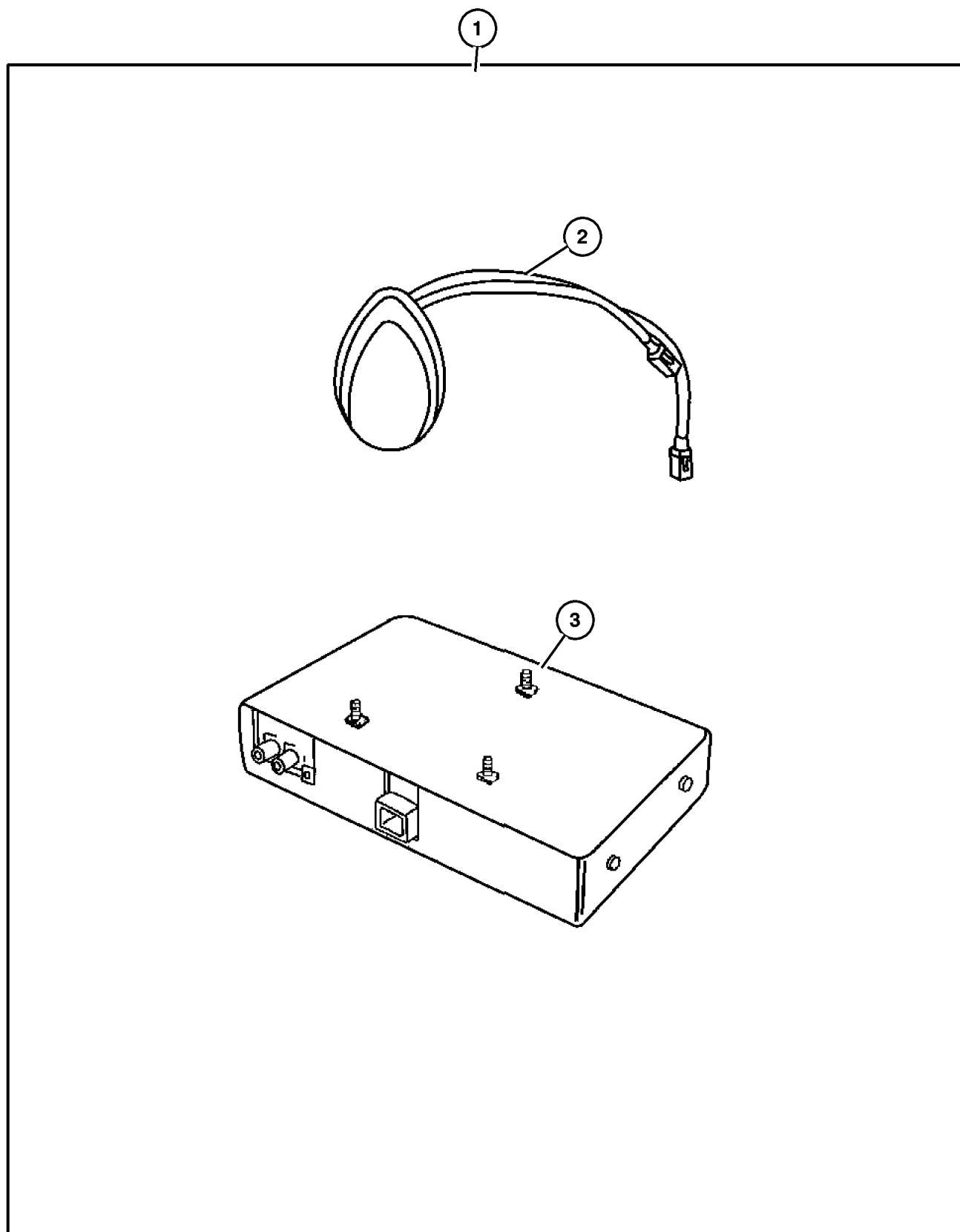


| JEEP WRANGLER (TJ) |                        |              |                       |                              |
|--------------------|------------------------|--------------|-----------------------|------------------------------|
| SERIES             | LINE                   | BODY         | ENGINE                | TRANSMISSION                 |
| H = Sport          | J = Wrangler 4WD       | 77 = 93.4 WB | ED1, ED0 = 2.4L DOHC  | DGG, DGD = 32RH 3 Spd. Auto. |
| L = SE             | U = Wrangler 4WD (RHD) |              | ERH = 4.0L Power Tech | DDD = 5 Speed HD Manual      |
| M = X              |                        |              |                       | DG0 = Auto. Trans.           |
| P = Sahara         |                        |              |                       | DBB = Manual Trans.          |
| S = Rubicon        |                        |              |                       | DDK = 5 Speed Manual         |

AR = Use as required - = Non illustrated part # = New this model year

August 27, 2004

**Satellite Receiver Kit  
Figure 001-155**



| ITEM | PART NUMBER | QTY | LINE | SERIES | BODY | ENGINE | TRANS | TRIM | DESCRIPTION |
|------|-------------|-----|------|--------|------|--------|-------|------|-------------|
|------|-------------|-----|------|--------|------|--------|-------|------|-------------|

Note: For Warranty Repair on Item 3, Order Using Z Prefix

|   |             |   |  |  |  |  |  |  |                     |
|---|-------------|---|--|--|--|--|--|--|---------------------|
| 1 | 82208 908AA | 1 |  |  |  |  |  |  | RECEIVER, Satellite |
| 2 | 5091 504AB  | 1 |  |  |  |  |  |  | ANTENNA, Satellite  |
| 3 | 5064 020AH  | 1 |  |  |  |  |  |  | RECEIVER, Satellite |

**JEEP WRANGLER (TJ)**

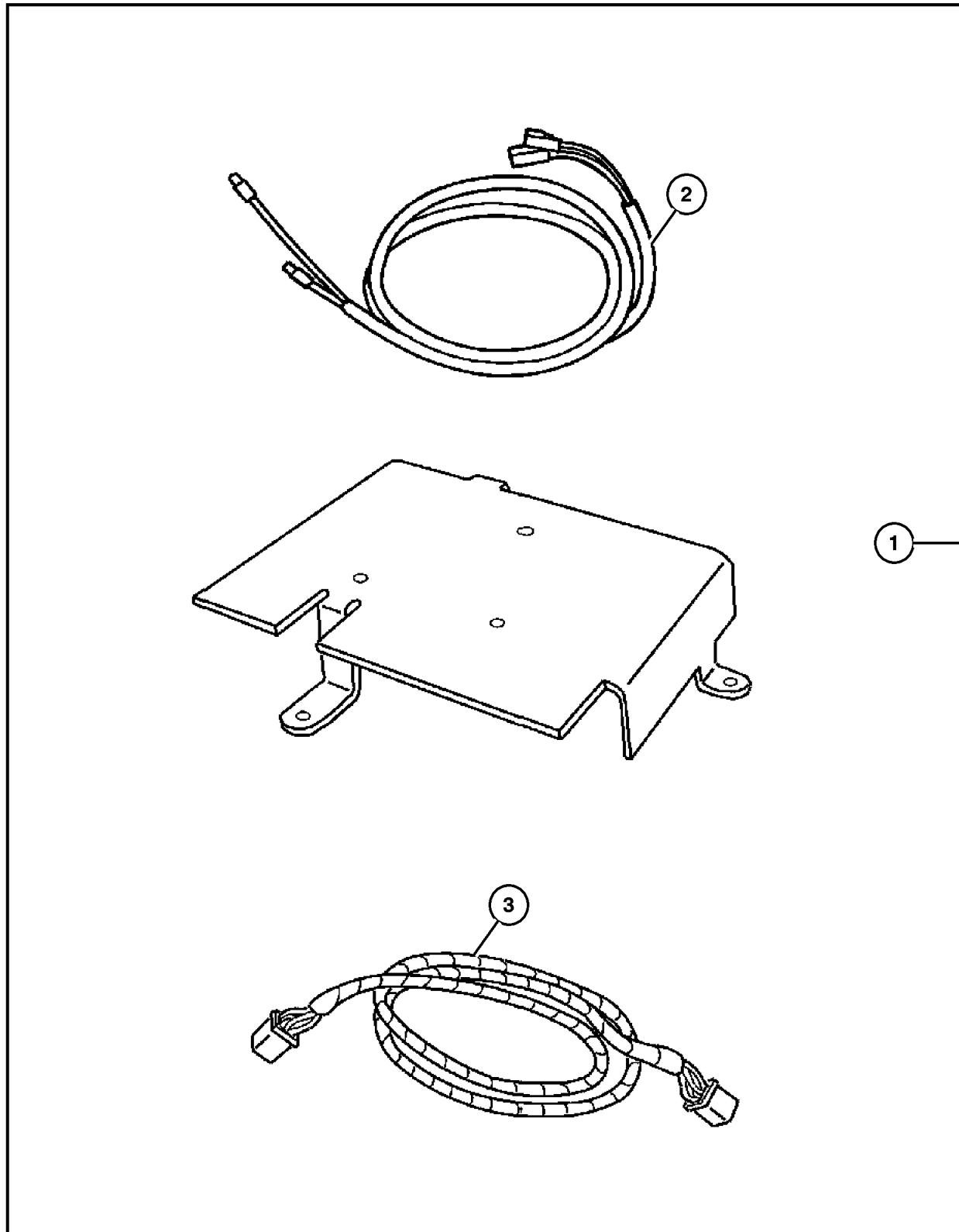
| SERIES      | LINE                   | BODY         | ENGINE                | TRANSMISSION                 |
|-------------|------------------------|--------------|-----------------------|------------------------------|
| H = Sport   | J = Wrangler 4WD       | 77 = 93.4 WB | ED1, ED0 = 2.4L DOHC  | DGG, DGD = 32RH 3 Spd. Auto. |
| L = SE      | U = Wrangler 4WD (RHD) |              | ERH = 4.0L Power Tech | DDD = 5 Speed HD Manual      |
| M = X       |                        |              |                       | DG0 = Auto. Trans.           |
| P = Sahara  |                        |              |                       | DBB = Manual Trans.          |
| S = Rubicon |                        |              |                       | DDK = 5 Speed Manual         |

AR = Use as required - = Non illustrated part # = New this model year

August 27, 2004

**Install Kit Satellite Receiver Without CD**  
**Figure 001-160**

| ITEM | PART NUMBER | QTY | LINE | SERIES | BODY | ENGINE | TRANS | TRIM | DESCRIPTION                    |
|------|-------------|-----|------|--------|------|--------|-------|------|--------------------------------|
| 1    | 8220 8586   | 1   |      |        |      |        |       |      | INSTALL KIT, Satelite Receiver |
| 2    | 5066 207AA  | 1   |      |        |      |        |       |      | CABLE, Antenna                 |
| 3    | 5102 014AA  | 1   |      |        |      |        |       |      | WIRING, Rcvr to Radio          |



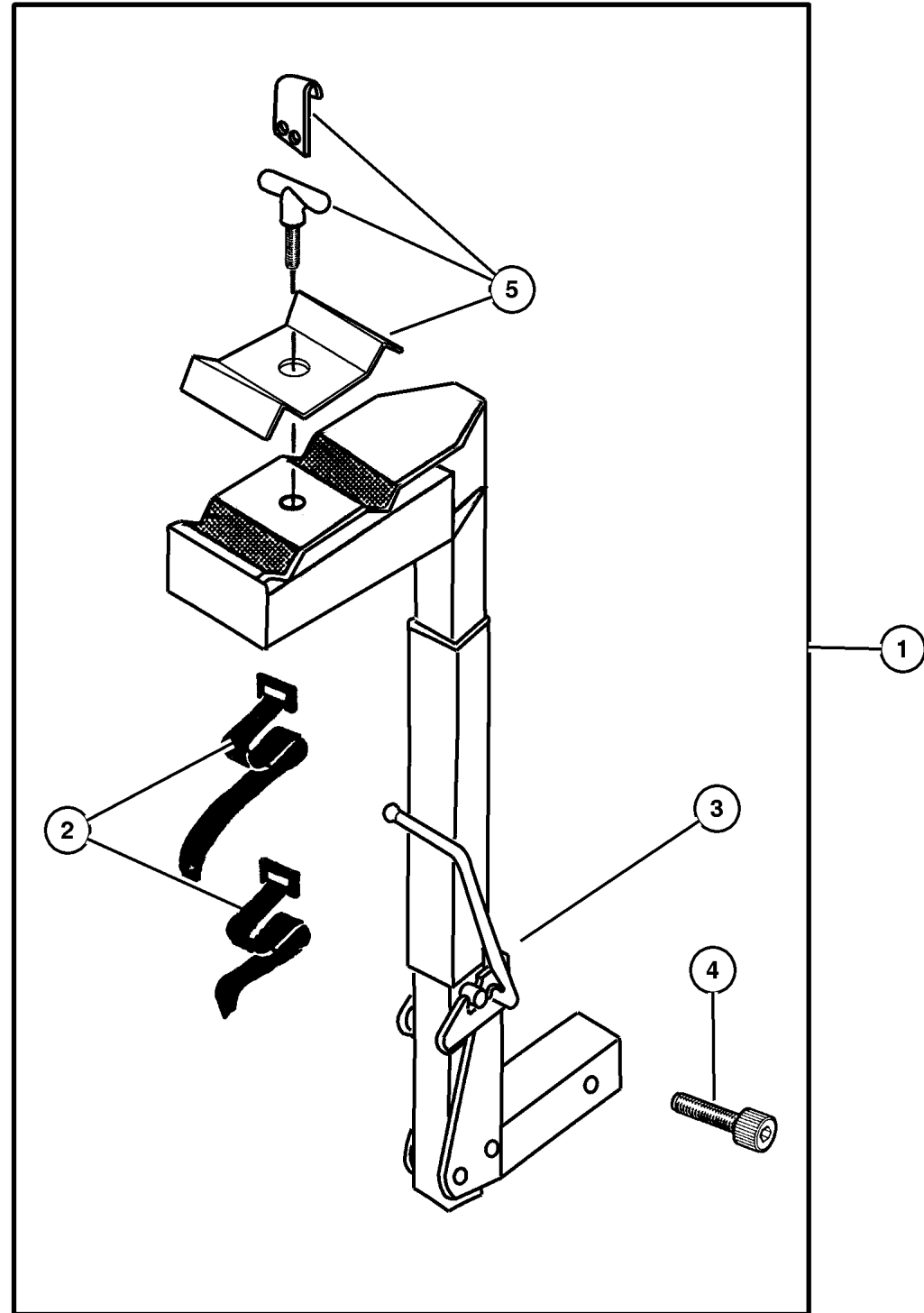
|                           |                        |              |                       |                              |
|---------------------------|------------------------|--------------|-----------------------|------------------------------|
| <b>JEEP WRANGLER (TJ)</b> |                        |              |                       |                              |
| SERIES                    | LINE                   | BODY         | ENGINE                | TRANSMISSION                 |
| H = Sport                 | J = Wrangler 4WD       | 77 = 93.4 WB | ED1, ED0 = 2.4L DOHC  | DGG, DGD = 32RH 3 Spd. Auto. |
| L = SE                    | U = Wrangler 4WD (RHD) |              | ERH = 4.0L Power Tech | DDD = 5 Speed HD Manual      |
| M = X                     |                        |              |                       | DG0 = Auto. Trans.           |
| P = Sahara                |                        |              |                       | DBB = Manual Trans.          |
| S = Rubicon               |                        |              |                       | DDK = 5 Speed Manual         |

AR = Use as required - = Non illustrated part # = New this model year

August 27, 2004

**Bike Carrier - Hitch Mount 2 Bikes**  
**Figure 001-220**

| ITEM  | PART NUMBER | QTY | LINE | SERIES | BODY | ENGINE | TRANS | TRIM | DESCRIPTION  |
|---|-------------|-----|------|--------|------|--------|-------|------|--|
| NOTE: Folds down for access to rear deck, has anti theft bolts. |             |     |      |        |      |        |       |      |  |
| NOTE: Not to be used with a spare of 31x10.50 or larger         |             |     |      |        |      |        |       |      |  |
| 1   | 8220 4452   | 1   | J    |        | 77   |        |       |      | CARRIER KIT, Bike, 1.25 inch Receiver                    |
| 2   | 4762 880    | 1   | J    |        | 77   |        |       |      | STRAP KIT, Velcro  |
| 3   | 5016 775AA  | 1   | J    |        | 77   |        |       |      | STRAP KIT, Bike Carrier Latch, Contains: 2-Rubber Straps |
| 4   | 5016 774AA  | 1   | J    |        | 77   |        |       |      | BOLT KIT, Security                                       |
| 5   | 5018 825AA  | 1   | J    |        | 77   |        |       |      | HARDWARE KIT, Bike Carrier                               |



|                           |                        |              |                       |                              |
|---------------------------|------------------------|--------------|-----------------------|------------------------------|
| <b>JEEP WRANGLER (TJ)</b> |                        |              |                       |                              |
| SERIES                    | LINE                   | BODY         | ENGINE                | TRANSMISSION                 |
| H = Sport                 | J = Wrangler 4WD       | 77 = 93.4 WB | ED1, ED0 = 2.4L DOHC  | DGG, DGD = 32RH 3 Spd. Auto. |
| L = SE                    | U = Wrangler 4WD (RHD) |              | ERH = 4.0L Power Tech | DDD = 5 Speed HD Manual      |
| M = X                     |                        |              |                       | DG0 = Auto. Trans.           |
| P = Sahara                |                        |              |                       | DBB = Manual Trans.          |
| S = Rubicon               |                        |              |                       | DDK = 5 Speed Manual         |

AR = Use as required - = Non illustrated part # = New this model year

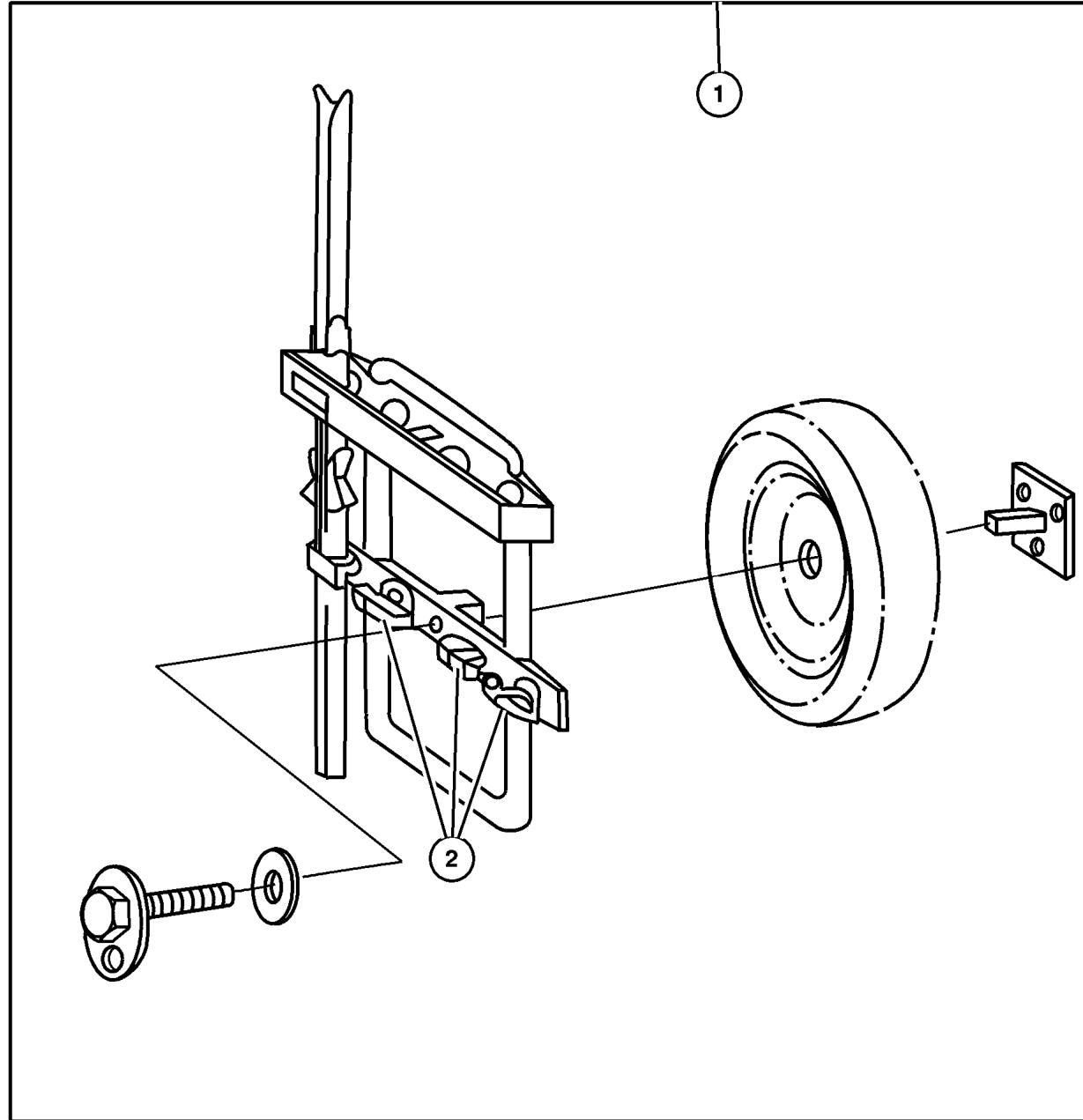
August 27, 2004

**Ski Carrier - Spare Tire Mount  
Figure 001-232**

| ITEM | PART NUMBER | QTY | LINE | SERIES | BODY | ENGINE | TRANS | TRIM | DESCRIPTION |
|------|-------------|-----|------|--------|------|--------|-------|------|-------------|
|------|-------------|-----|------|--------|------|--------|-------|------|-------------|

NOTE: Requires full size, outside mounted spare tire.

|   |            |   |   |  |        |  |  |  |                               |
|---|------------|---|---|--|--------|--|--|--|-------------------------------|
| 1 | 8220 7643  | 1 | J |  | 77, 78 |  |  |  | CARRIER KIT, Ski              |
| 2 | 5016 775AA | 1 | J |  | 77     |  |  |  | STRAP KIT, Bike Carrier Latch |



**JEEP WRANGLER (TJ)**

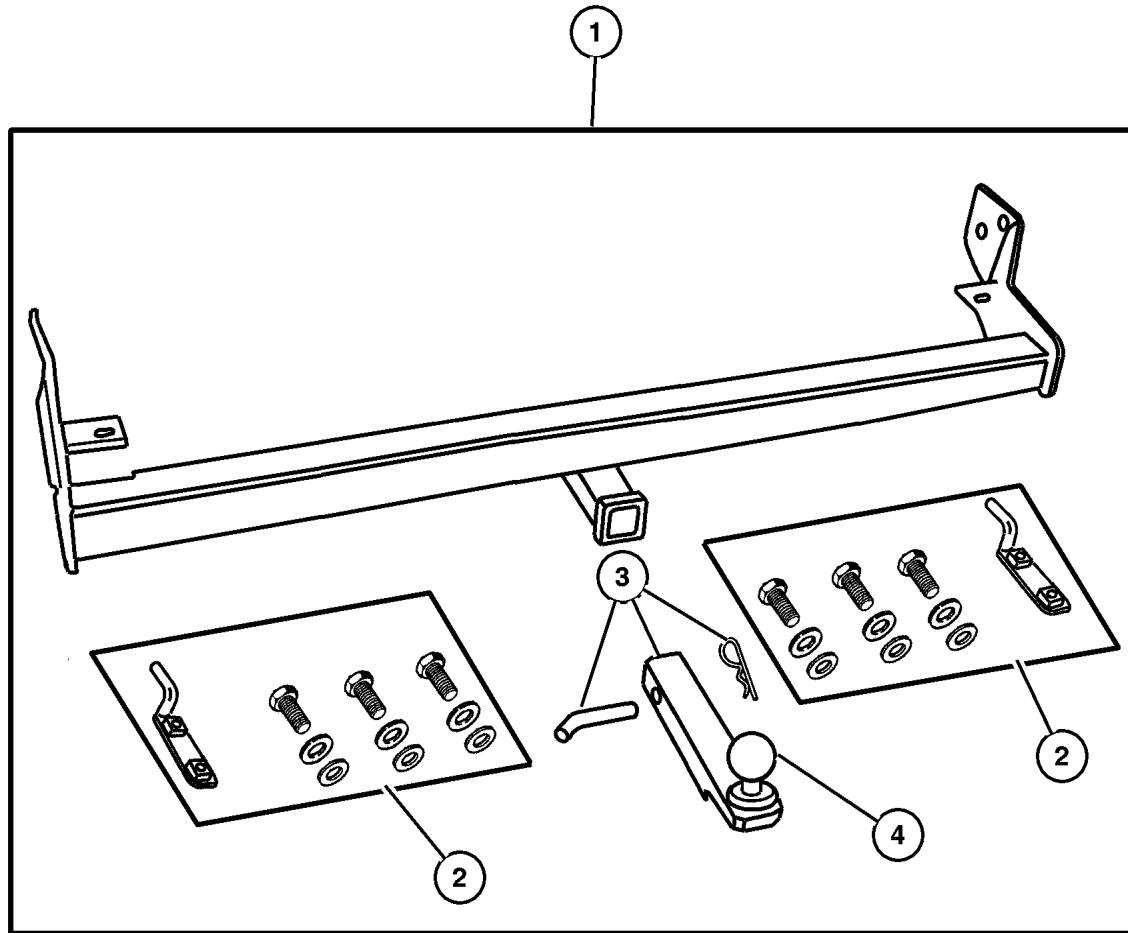
|             |                        |              |                       |                              |
|-------------|------------------------|--------------|-----------------------|------------------------------|
| SERIES      | LINE                   | BODY         | ENGINE                | TRANSMISSION                 |
| H = Sport   | J = Wrangler 4WD       | 77 = 93.4 WB | ED1, ED0 = 2.4L DOHC  | DGG, DGD = 32RH 3 Spd. Auto. |
| L = SE      | U = Wrangler 4WD (RHD) |              | ERH = 4.0L Power Tech | DDD = 5 Speed HD Manual      |
| M = X       |                        |              |                       | DG0 = Auto. Trans.           |
| P = Sahara  |                        |              |                       | DBB = Manual Trans.          |
| S = Rubicon |                        |              |                       | DDK = 5 Speed Manual         |

AR = Use as required - = Non illustrated part # = New this model year

August 27, 2004

**Trailer Tow - Receiver Kit  
Figure 001-250**

| ITEM | PART NUMBER | QTY | LINE | SERIES | BODY   | ENGINE | TRANS | TRIM | DESCRIPTION  |
|------|-------------|-----|------|--------|--------|--------|-------|------|--|
| 1    |             |     |      |        |        |        |       |      | RECEIVER KIT, Trailer Tow  |
|      | 8220 8867   | 1   | J    |        | 78     |        |       |      | Unlimited  |
|      | 8220 4119   | 1   | J    |        | 77, 78 |        |       |      |  |
| 2    |             |     |      |        |        |        |       |      | HARDWARE KIT, Hitch, Serviced in Kit, (NOT SERVICED) (Not Serviced)                |
| 3    |             |     |      |        |        |        |       |      | ADAPTER KIT, Ball Mount  |
|      | 4549 284    | 1   | J    |        | 77     |        |       |      | Unlimited  |
|      |             | 1   | J    |        | 78     |        |       |      |  |
| 4    |             |     |      |        |        |        |       |      | BALL KIT, Trailer Tow, (Includes Drawbar, Pin and Clip)                            |
|      | 8240 1104   | 1   | J    |        | 77     |        |       |      | 1 7/8" Dia Ball W/Shank 3/4" X 1 3/4" Long 3500 Lb Limit                           |
|      | 8240 1102   | 1   |      |        | 78     |        |       |      | Ball 1 7/8" Dia/Shank 1" Dia x 2 1/8" Long Chrome Finish 2000 Lb Limit (Unlimited) |
|      | 8240 1104   | 1   |      |        | 78     |        |       |      | 1 7/8" Dia Ball W/Shank 3/4" X 1 3/4" Long 3500 Lb Limit (Unlimited)               |
|      | 8240 1103   | 1   |      |        | 78     |        |       |      | 2" Dia Ball/ Shank 1" Dia x 2 1/8" Long 5000 Lb Limit (Unlimited)                  |
|      | 8240 1105   | 1   |      |        | 78     |        |       |      | 2" Dia Ball W/Shank 3/4" X 1 3/4" Chrome Finish 2000 Lb Limit                      |
|      | 8240 1197   | 1   |      |        |        |        |       |      | 1 7/8" Dia Ball W/Shank 3/4" Dia X 2 5/16 Long Chrome Finish                       |



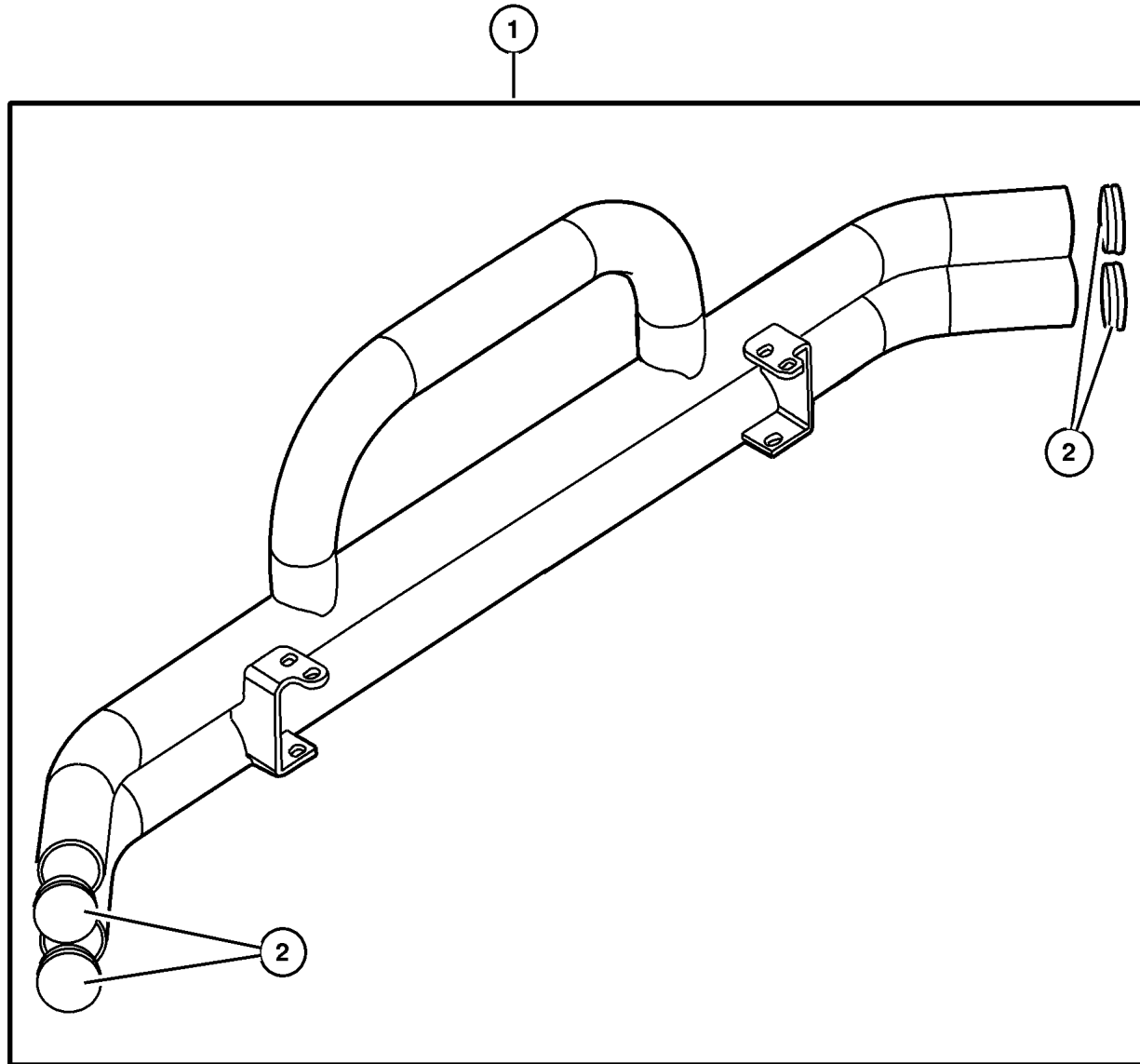
|                           |                        |              |                       |                              |
|---------------------------|------------------------|--------------|-----------------------|------------------------------|
| <b>JEEP WRANGLER (TJ)</b> |                        |              |                       |                              |
| SERIES                    | LINE                   | BODY         | ENGINE                | TRANSMISSION                 |
| H = Sport                 | J = Wrangler 4WD       | 77 = 93.4 WB | ED1, ED0 = 2.4L DOHC  | DGG, DGD = 32RH 3 Spd. Auto. |
| L = SE                    | U = Wrangler 4WD (RHD) |              | ERH = 4.0L Power Tech | DDD = 5 Speed HD Manual      |
| M = X                     |                        |              |                       | DG0 = Auto. Trans.           |
| P = Sahara                |                        |              |                       | DBB = Manual Trans.          |
| S = Rubicon               |                        |              |                       | DDK = 5 Speed Manual         |

AR = Use as required - = Non illustrated part # = New this model year

August 27, 2004

**Bumper Kit- Front Tubular**  
**Figure 001-410**

| ITEM | PART NUMBER | QTY | LINE | SERIES | BODY   | ENGINE | TRANS | TRIM | DESCRIPTION                         |
|------|-------------|-----|------|--------|--------|--------|-------|------|-------------------------------------|
| 1    |             |     |      |        |        |        |       |      | BUMPER KIT, Tubular                 |
|      | 8220 2173   | 1   | J    |        | 77     |        |       |      | Black painted Steel                 |
|      | 8220 2175   | 1   | J    |        | 77     |        |       |      | Black anodized Aluminum             |
|      | 8220 2173   | 1   | J    |        | 78     |        |       |      | Black painted Steel (Unlimited)     |
|      | 8220 2175   | 1   | J    |        | 78     |        |       |      | Black anodized Aluminum (Unlimited) |
|      | 8220 8285   | 1   | J    |        | 77     |        |       |      | Chrome Steel                        |
|      |             | 1   | J    |        | 78     |        |       |      | Chrome Steel (Unlimited)            |
| 2    |             |     |      |        |        |        |       |      | END CAP, Bumper                     |
|      | 4897 577AA  | 1   | J    |        | 77     |        |       |      | For Aluminum Bumper                 |
|      | 4897 576AA  | 1   | J    |        | 77, 78 |        |       |      | For Steel Bumper                    |
|      | 4897 577AA  | 1   | J    |        | 78     |        |       |      | For Aluminum Bumper (Unlimited)     |



**JEEP WRANGLER (TJ)**

|             |                        |              |                       |                              |
|-------------|------------------------|--------------|-----------------------|------------------------------|
| SERIES      | LINE                   | BODY         | ENGINE                | TRANSMISSION                 |
| H = Sport   | J = Wrangler 4WD       | 77 = 93.4 WB | ED1, ED0 = 2.4L DOHC  | DGG, DGD = 32RH 3 Spd. Auto. |
| L = SE      | U = Wrangler 4WD (RHD) |              | ERH = 4.0L Power Tech | DDD = 5 Speed HD Manual      |
| M = X       |                        |              |                       | DG0 = Auto. Trans.           |
| P = Sahara  |                        |              |                       | DBB = Manual Trans.          |
| S = Rubicon |                        |              |                       | DDK = 5 Speed Manual         |

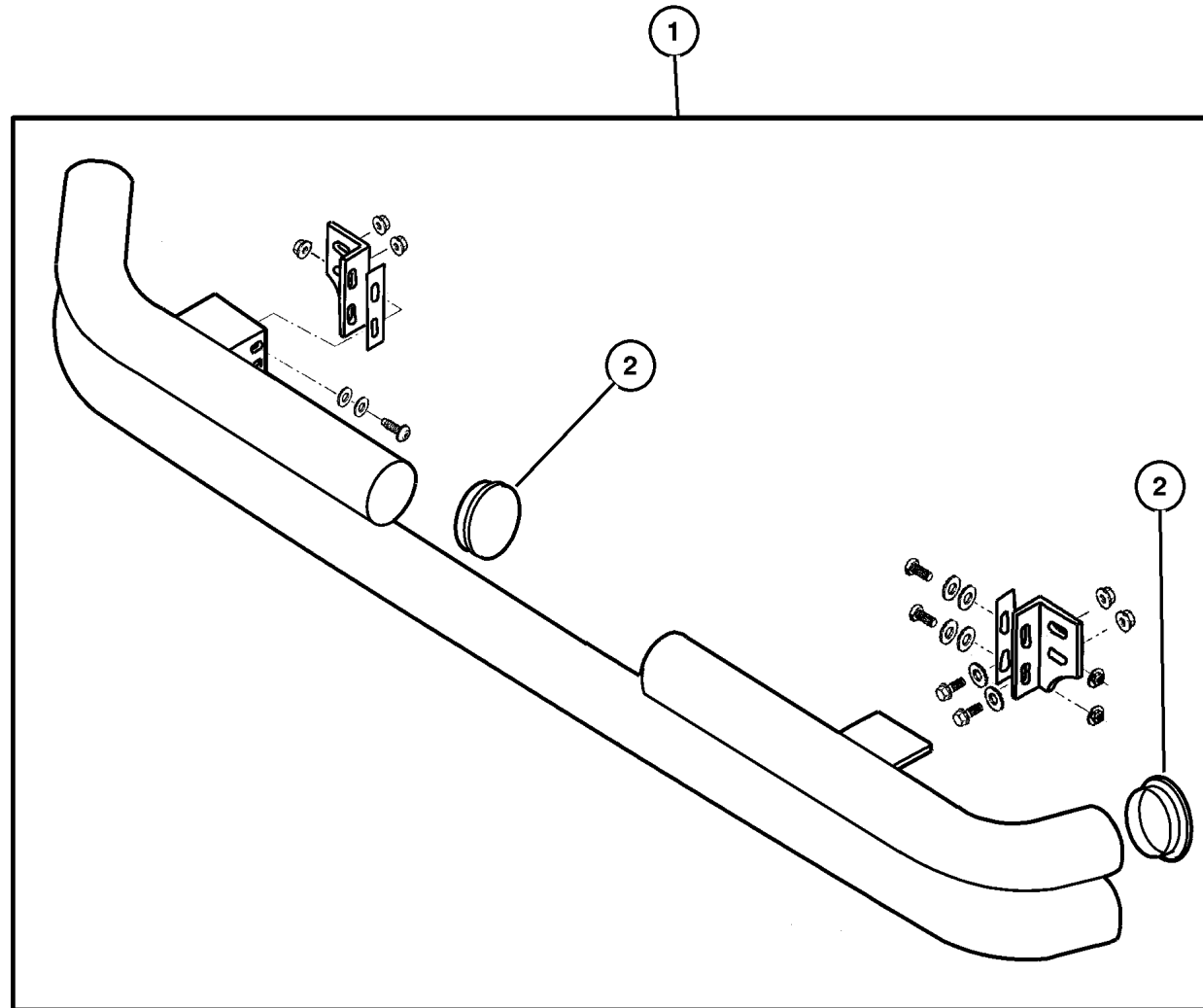
AR = Use as required - = Non illustrated part # = New this model year

August 27, 2004



**Bumper Kit - Rear Tubular**  
**Figure 001-420**

| ITEM | PART NUMBER | QTY | LINE | SERIES | BODY   | ENGINE | TRANS | TRIM | DESCRIPTION                 |
|------|-------------|-----|------|--------|--------|--------|-------|------|-----------------------------|
| 1    |             |     |      |        |        |        |       |      | BUMPER KIT, Tubular-Rear    |
|      | 8220 3294   | 1   | J    |        | 77, 78 |        |       |      | Black Aluminum              |
|      | 8220 8559   | 1   | J    |        | 77     |        |       |      | Chrome Steel                |
|      |             | 1   | J    |        | 78     |        |       |      | Chrome Steel (Unlimited)    |
|      | 8220 8645   | 1   | J    |        | 77     |        |       |      | Black Steel                 |
|      |             | 1   | J    |        | 78     |        |       |      | Black Steel (Unlimited)     |
|      | 8220 9327   | 1   | J    |        | 77, 78 |        |       |      | Black Steel Textured Finish |
| 2    |             |     |      |        |        |        |       |      | END CAP, Bumper             |
|      | 4897 576AA  | 1   | J    |        | 77, 78 |        |       |      | For Steel Bumper            |
|      | 4897 577AA  | 1   | J    |        | 77     |        |       |      | For Aluminum Bumper         |
|      |             | 1   | J    |        | 78     |        |       |      | For Aluminum Bumper         |



**JEEP WRANGLER (TJ)**

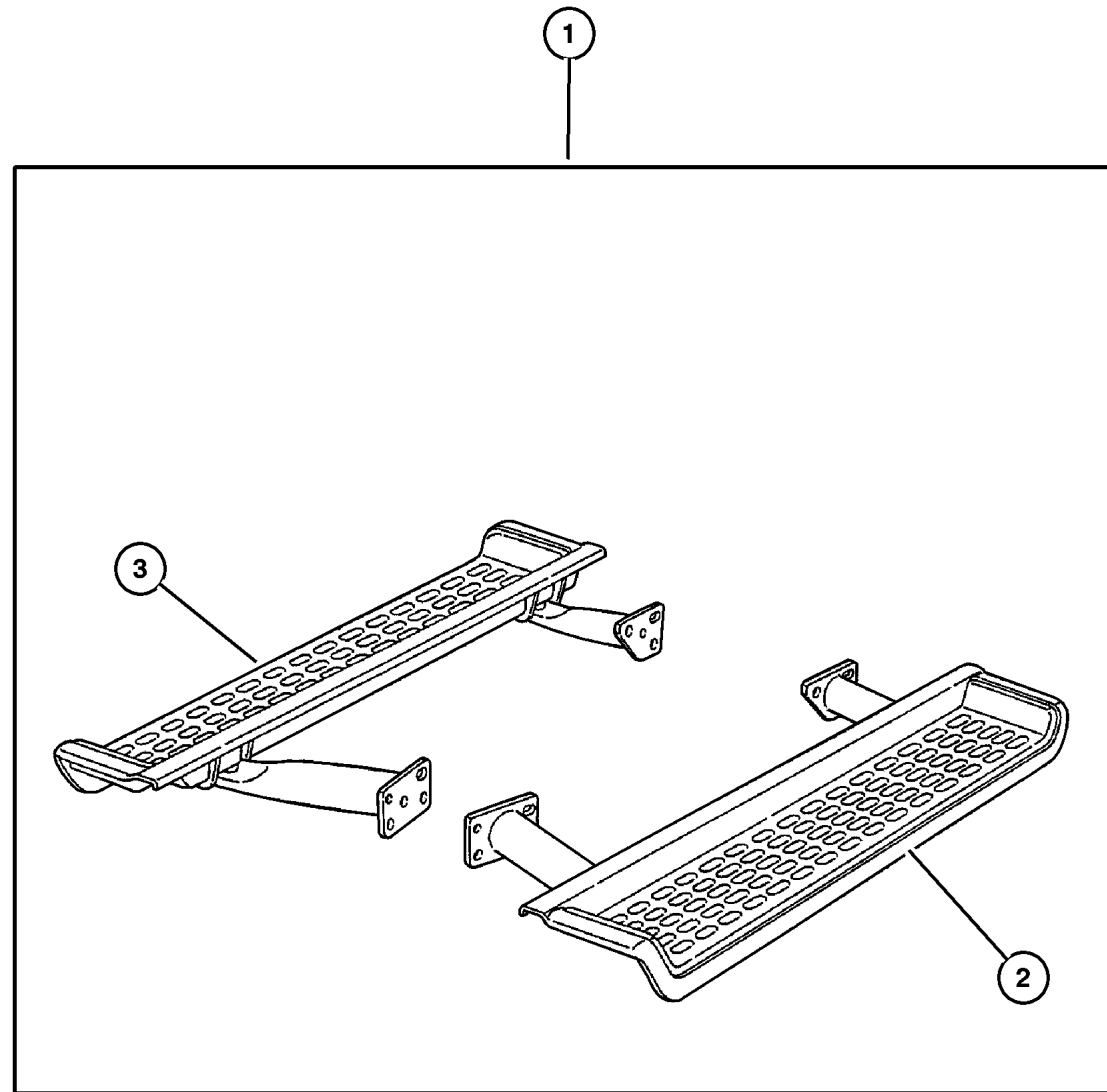
|             |                        |              |                       |                              |
|-------------|------------------------|--------------|-----------------------|------------------------------|
| SERIES      | LINE                   | BODY         | ENGINE                | TRANSMISSION                 |
| H = Sport   | J = Wrangler 4WD       | 77 = 93.4 WB | ED1, ED0 = 2.4L DOHC  | DGG, DGD = 32RH 3 Spd. Auto. |
| L = SE      | U = Wrangler 4WD (RHD) |              | ERH = 4.0L Power Tech | DDD = 5 Speed HD Manual      |
| M = X       |                        |              |                       | DG0 = Auto. Trans.           |
| P = Sahara  |                        |              |                       | DBB = Manual Trans.          |
| S = Rubicon |                        |              |                       | DDK = 5 Speed Manual         |

AR = Use as required - = Non illustrated part # = New this model year

August 27, 2004

Side Step Kit  
Figure 001-440

| ITEM | PART NUMBER | QTY | LINE | SERIES | BODY   | ENGINE | TRANS | TRIM | DESCRIPTION                |
|------|-------------|-----|------|--------|--------|--------|-------|------|----------------------------|
| 1    | 8220 6456   | 1   |      |        | 77, 78 |        |       |      | STEP PACKAGE, Side         |
| 2    | 55156 200AB | 1   |      |        | 77, 78 |        |       |      | STEP PAD, Side Step, Right |
| 3    | 55156 201AB | 1   |      |        | 77, 78 |        |       |      | STEP PAD, Side Step, Left  |
| -4   | 5066 240AA  | 1   |      |        | 77, 78 |        |       |      | BOLT, M Bolt               |



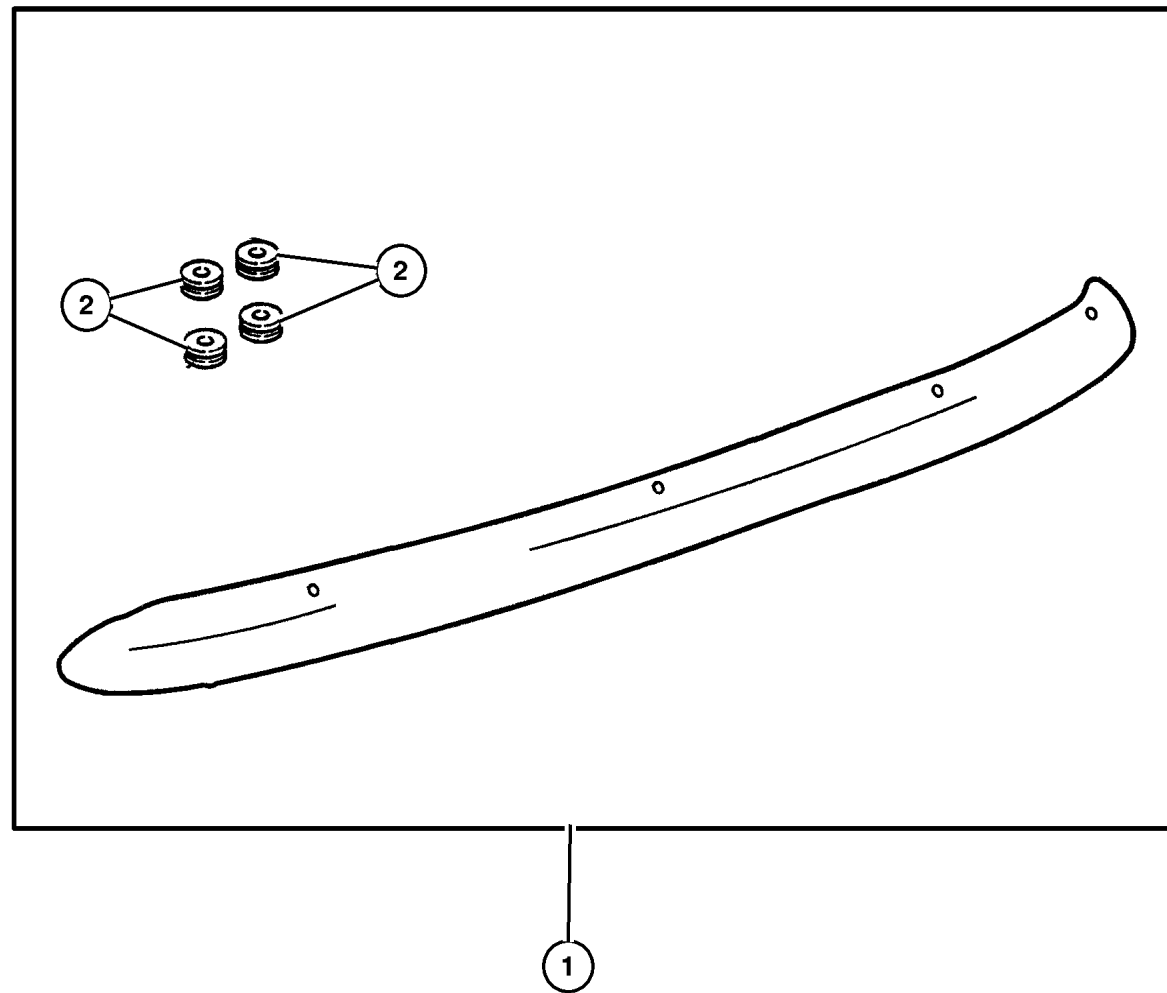
|                           |                        |              |                       |                              |
|---------------------------|------------------------|--------------|-----------------------|------------------------------|
| <b>JEEP WRANGLER (TJ)</b> |                        |              |                       |                              |
| SERIES                    | LINE                   | BODY         | ENGINE                | TRANSMISSION                 |
| H = Sport                 | J = Wrangler 4WD       | 77 = 93.4 WB | ED1, ED0 = 2.4L DOHC  | DGG, DGD = 32RH 3 Spd. Auto. |
| L = SE                    | U = Wrangler 4WD (RHD) |              | ERH = 4.0L Power Tech | DDD = 5 Speed HD Manual      |
| M = X                     |                        |              |                       | DG0 = Auto. Trans.           |
| P = Sahara                |                        |              |                       | DBB = Manual Trans.          |
| S = Rubicon               |                        |              |                       | DDK = 5 Speed Manual         |

AR = Use as required - = Non illustrated part # = New this model year

August 27, 2004

**Shield Kit - Air Front**  
**Figure 001-510**

| ITEM | PART NUMBER | QTY | LINE | SERIES | BODY   | ENGINE | TRANS | TRIM | DESCRIPTION             |
|------|-------------|-----|------|--------|--------|--------|-------|------|-------------------------|
| 1    | 8220 2160   | 1   | J    |        | 77, 78 |        |       |      | SHIELD KIT, Air - Front |
| 2    | 5014 754AA  | 1   | J    |        | 77, 78 |        |       |      | SPACER, Air Deflector   |



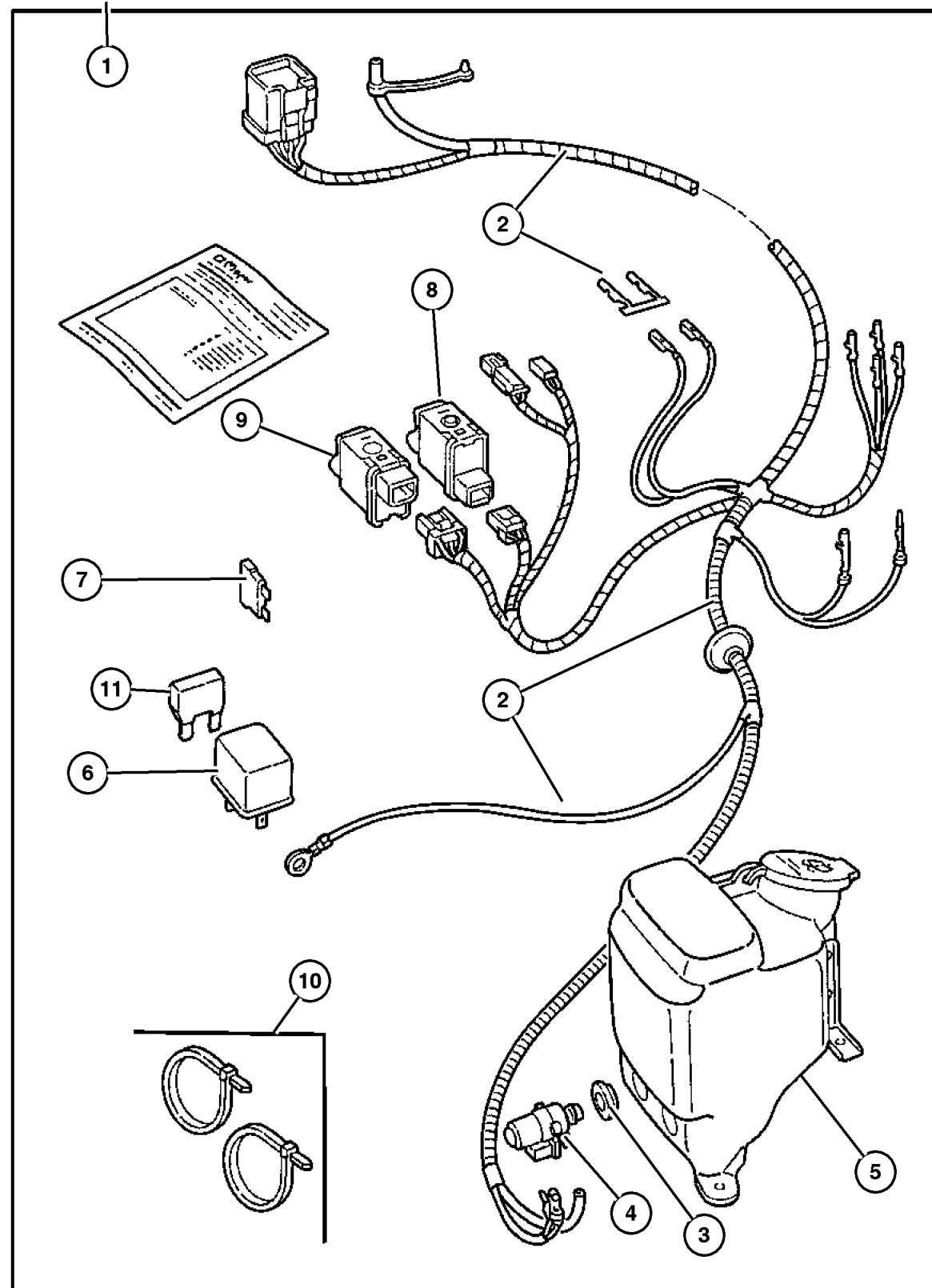
**JEEP WRANGLER (TJ)**

|             |                        |              |                       |                              |
|-------------|------------------------|--------------|-----------------------|------------------------------|
| SERIES      | LINE                   | BODY         | ENGINE                | TRANSMISSION                 |
| H = Sport   | J = Wrangler 4WD       | 77 = 93.4 WB | ED1, ED0 = 2.4L DOHC  | DGG, DGD = 32RH 3 Spd. Auto. |
| L = SE      | U = Wrangler 4WD (RHD) |              | ERH = 4.0L Power Tech | DDD = 5 Speed HD Manual      |
| M = X       |                        |              |                       | DG0 = Auto. Trans.           |
| P = Sahara  |                        |              |                       | DBB = Manual Trans.          |
| S = Rubicon |                        |              |                       | DDK = 5 Speed Manual         |

AR = Use as required - = Non illustrated part # = New this model year

August 27, 2004

## Hardtop Wiring Kit Figure 001-550



| ITEM | PART NUMBER | QTY | LINE | SERIES | BODY | ENGINE | TRANS | TRIM | DESCRIPTION   |
|------|-------------|-----|------|--------|------|--------|-------|------|---|
| 1    |             |     |      |        |      |        |       |      | WIRING PACKAGE, Enclosure   |
|      | 8220 8132   | 1   | J    |        | 77   |        |       |      |   |
|      | 8220 8907   | 1   | J    |        |      |        |       |      |   |
| 2    |             |     |      |        |      |        |       |      | WIRING, Hardtop, Serviced in Package, (NOT SERVICED) (Not Serviced) |
| 3    | 5096 346AA  | 1   |      |        |      |        |       |      | GROMMET, Washer Reservoir   |
| 4    | 5096 343AA  | 1   |      |        |      |        |       |      | PUMP, Washer, Windshield  |
| 5    | 5096 345AA  | 1   |      |        |      |        |       |      | RESERVOIR, Washer   |
| 6    | 4638 094    | 1   | J    |        |      |        |       |      | RELAY PACKAGE, Electrical   |
| 7    | 00AT M10    | 2   |      |        |      |        |       |      | FUSE, Mini, 10 AMP, Red   |
| 8    | 5600 7250   | 1   |      |        |      |        |       |      | SWITCH, Electric Back Light   |
| 9    | 5600 7249   | 1   |      |        |      |        |       |      | SWITCH, Wiper and Washer  |
| 10   | 5073 039AA  | 1   |      |        |      |        |       |      | STRAP, Tie  |
| 11   | 4868 008AA  | 1   |      |        |      |        |       |      | FUSE CARTRIDGE, 40 Amp  |

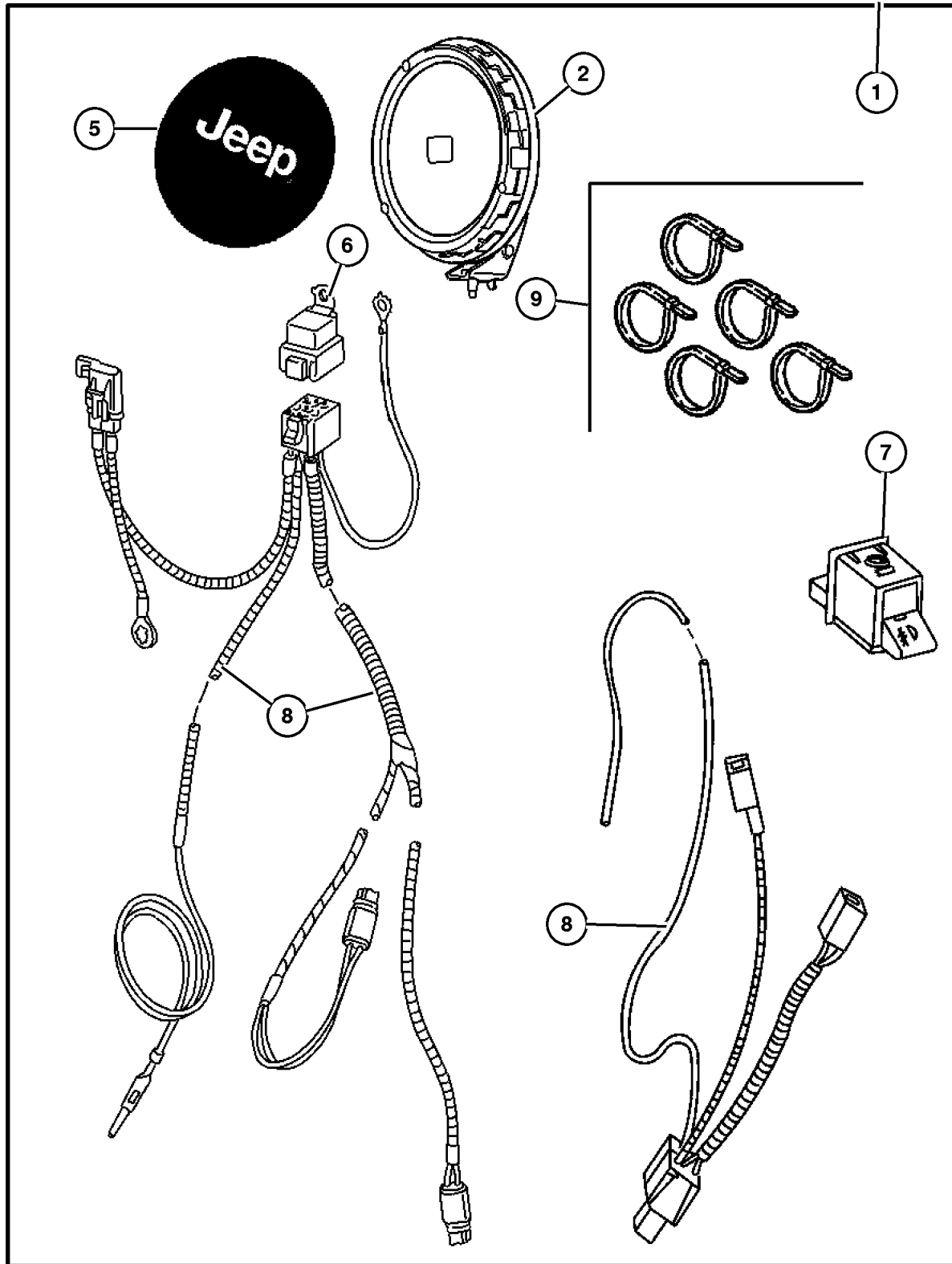
### JEEP WRANGLER (TJ)

|             |                        |              |                       |                              |
|-------------|------------------------|--------------|-----------------------|------------------------------|
| SERIES      | LINE                   | BODY         | ENGINE                | TRANSMISSION                 |
| H = Sport   | J = Wrangler 4WD       | 77 = 93.4 WB | ED1, ED0 = 2.4L DOHC  | DGG, DGD = 32RH 3 Spd. Auto. |
| L = SE      | U = Wrangler 4WD (RHD) |              | ERH = 4.0L Power Tech | DDD = 5 Speed HD Manual      |
| M = X       |                        |              |                       | DG0 = Auto. Trans.           |
| P = Sahara  |                        |              |                       | DBB = Manual Trans.          |
| S = Rubicon |                        |              |                       | DDK = 5 Speed Manual         |

AR = Use as required - = Non illustrated part # = New this model year

August 27, 2004

**Light Kit - Fog  
Figure 001-610**



| ITEM   | PART NUMBER | QTY | LINE | SERIES | BODY   | ENGINE | TRANS | TRIM | DESCRIPTION                           |
|--|-------------|-----|------|--------|--------|--------|-------|------|---------------------------------------|
| NOTE:  |             |     |      |        |        |        |       |      |                                       |
| Use Bracket Kit 82202610 for Front Tube Bumpers    |             |     |      |        |        |        |       |      |                                       |
| Wiring will need to be modified to fit application |             |     |      |        |        |        |       |      |                                       |
| 1  | 8220 8017   | 1   | J    |        | 77, 78 |        |       |      | LIGHT PACKAGE, Fog                    |
| 2  | 55055 095AG | 1   | J    |        | 77, 78 |        |       |      | LAMP, Fog                             |
| -3   | 4864 773    | 1   | J    |        | 77, 78 |        |       |      | RETAINER, Fog Lamp Bulb               |
| -4   | L00H 355W   | 2   |      |        |        |        |       |      | BULB, Fog Lamp, H-3 55 WATT           |
| 5  | 8220 2586   | 1   |      |        | 77     |        |       |      | COVER KIT, Light                      |
| 6  | 4638 094    | 1   | J    |        | 77, 78 |        |       |      | RELAY PACKAGE, Electrical             |
| 7  | 5016 709AD  | 1   | J    |        | 77, 78 |        |       |      | SWITCH, Multifunction                 |
| 8  | 8220 8244   | 1   | J    |        | 77, 78 |        |       |      | WIRING, Fog Lamp, Serviced in Package |
| 9  | 5073 039AA  | 1   | J    |        | 77, 78 |        |       |      | STRAP, Tie                            |

**JEEP WRANGLER (TJ)**

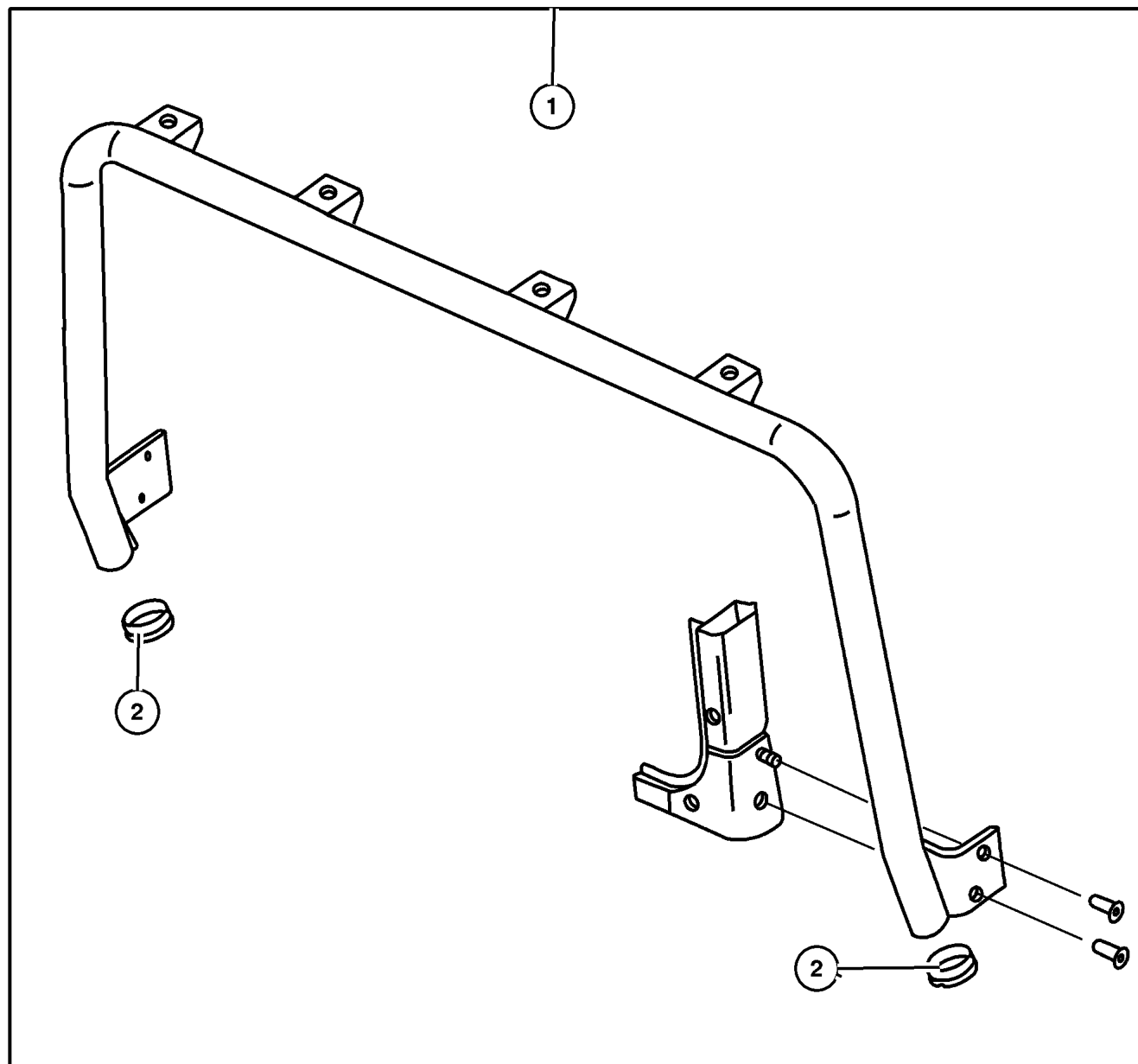
|             |                        |              |                       |                              |
|-------------|------------------------|--------------|-----------------------|------------------------------|
| SERIES      | LINE                   | BODY         | ENGINE                | TRANSMISSION                 |
| H = Sport   | J = Wrangler 4WD       | 77 = 93.4 WB | ED1, ED0 = 2.4L DOHC  | DGG, DGD = 32RH 3 Spd. Auto. |
| L = SE      | U = Wrangler 4WD (RHD) |              | ERH = 4.0L Power Tech | DDD = 5 Speed HD Manual      |
| M = X       |                        |              |                       | DG0 = Auto. Trans.           |
| P = Sahara  |                        |              |                       | DBB = Manual Trans.          |
| S = Rubicon |                        |              |                       | DDK = 5 Speed Manual         |

AR = Use as required - = Non illustrated part # = New this model year

August 27, 2004

**Bar Kit - Light Windshield**  
**Figure 001-630**

| ITEM  | PART NUMBER | QTY | LINE | SERIES | BODY   | ENGINE | TRANS | TRIM | DESCRIPTION                                       |
|---|-------------|-----|------|--------|--------|--------|-------|------|---|
| NOTE: Windshield mount holds up to four lights. Includes wire harness for up to 4 lights. Windshield cannot be lowered.<br>Item #3 includes 4 Stainless screws, 2 Plastic hinge isolators, 2 studs and 1 grommet. |             |     |      |        |        |        |       |      |   |
| 1   | 8220 7174   | 1   | J    |        | 77     |        |       |      | BAR KIT, Light-Windshield<br>Steel, Painted Black |
|   | 8220 7175   | 1   | J    |        | 77     |        |       |      | Aluminum, Black Anodized                          |
|   | 8220 7176   | 1   | J    |        | 77     |        |       |      | Steel, Chromed                                    |
|   | 8220 7174   | 1   | J    |        | 78     |        |       |      | Steel, Painted Black (Unlimited)                  |
|   | 8220 7175   | 1   | J    |        | 78     |        |       |      | Aluminum, Black Anodized (Unlimited)              |
|   | 8220 7176   | 1   | J    |        | 78     |        |       |      | Steel, Chromed (Unlimited)                        |
|   | 8220 9328   | 1   | J    |        | 77, 78 |        |       |      | Black Steel W/ Textured Finish                    |
| 2   | 4897 580AA  | 1   | J    |        | 77     |        |       |      | END CAP, Light Bar<br>For Aluminum Bar            |
|   | 4897 579AA  | 1   | J    |        | 77, 78 |        |       |      | For Steel Bar                                     |
|   | 4897 580AA  | 1   | J    |        | 78     |        |       |      | For Aluminum Bar (Unlimited)                      |
| -3  | 5139 216AA  | 1   | J    |        | 77, 78 |        |       |      | HARDWARE KIT, Mounting                            |



**JEEP WRANGLER (TJ)**

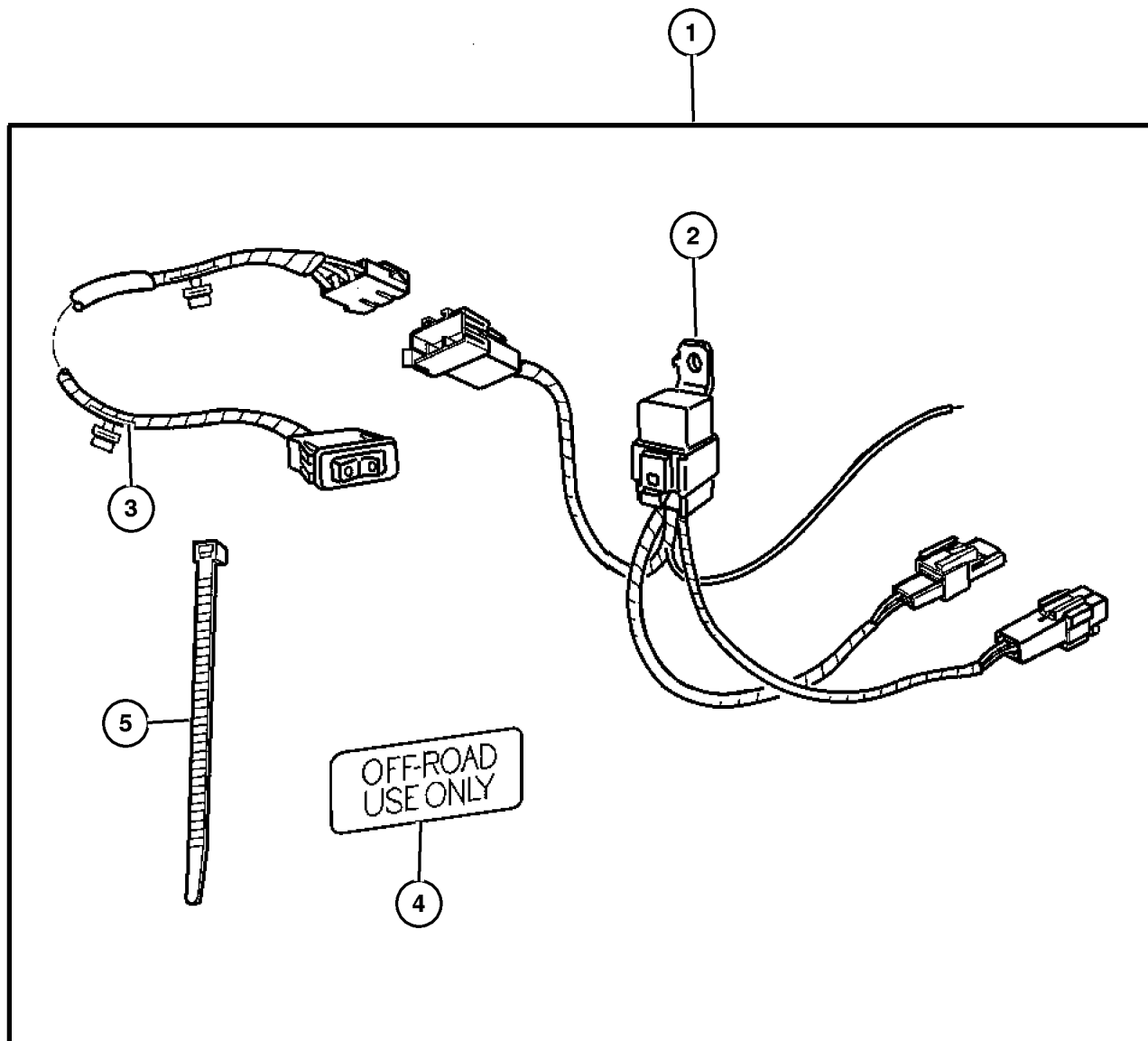
|             |                        |              |                       |                              |
|-------------|------------------------|--------------|-----------------------|------------------------------|
| SERIES      | LINE                   | BODY         | ENGINE                | TRANSMISSION                 |
| H = Sport   | J = Wrangler 4WD       | 77 = 93.4 WB | ED1, ED0 = 2.4L DOHC  | DGG, DGD = 32RH 3 Spd. Auto. |
| L = SE      | U = Wrangler 4WD (RHD) |              | ERH = 4.0L Power Tech | DDD = 5 Speed HD Manual      |
| M = X       |                        |              |                       | DG0 = Auto. Trans.           |
| P = Sahara  |                        |              |                       | DBB = Manual Trans.          |
| S = Rubicon |                        |              |                       | DDK = 5 Speed Manual         |

AR = Use as required - = Non illustrated part # = New this model year

August 27, 2004

**Install Kit - Off Road Lights**  
**Figure 001-640**

| ITEM | PART NUMBER | QTY | LINE | SERIES | BODY   | ENGINE | TRANS | TRIM | DESCRIPTION   |
|------|-------------|-----|------|--------|--------|--------|-------|------|---|
| 1    | 8220 8465   | 1   | J    |        | 77, 78 |        |       |      | INSTALLATION PACKAGE, Off Road Light                      |
| 2    | 4638 271    | 1   | J    |        | 77     |        |       |      | RELAY PACKAGE, Electrical                                 |
| 3    | 5269 430    | 1   | J    |        | 77, 78 |        |       |      | SWITCH, Fog Lamp  |
| 4    |             |     |      |        |        |        |       |      | LABEL, Serviced in Package, (NOT SERVICED) (Not Serviced) |
| 5    | 6015 756    | 1   |      |        |        |        |       |      | STRAP, Tie  |



**JEEP WRANGLER (TJ)**

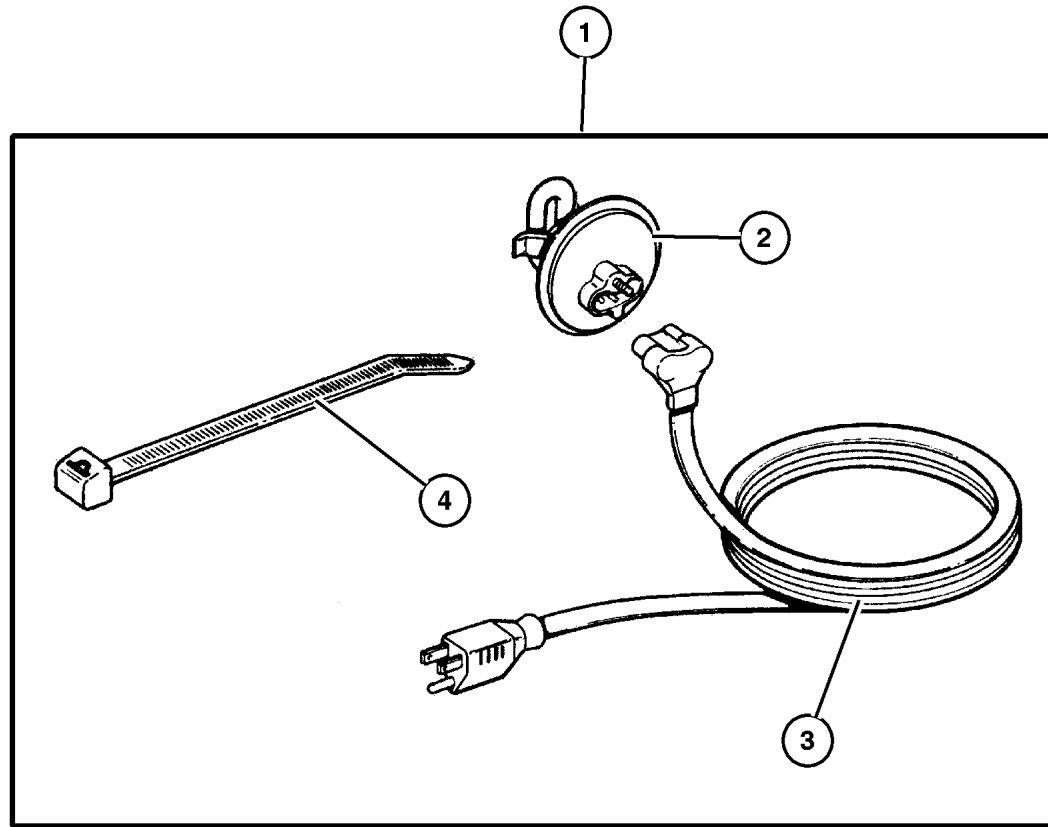
|             |                        |              |                       |                              |
|-------------|------------------------|--------------|-----------------------|------------------------------|
| SERIES      | LINE                   | BODY         | ENGINE                | TRANSMISSION                 |
| H = Sport   | J = Wrangler 4WD       | 77 = 93.4 WB | ED1, ED0 = 2.4L DOHC  | DGG, DGD = 32RH 3 Spd. Auto. |
| L = SE      | U = Wrangler 4WD (RHD) |              | ERH = 4.0L Power Tech | DDD = 5 Speed HD Manual      |
| M = X       |                        |              |                       | DG0 = Auto. Trans.           |
| P = Sahara  |                        |              |                       | DBB = Manual Trans.          |
| S = Rubicon |                        |              |                       | DDK = 5 Speed Manual         |

AR = Use as required - = Non illustrated part # = New this model year

August 27, 2004

**Heater Kit - Engine Block**  
**Figure 001-650**

| ITEM | PART NUMBER | QTY | LINE | SERIES | BODY | ENGINE | TRANS | TRIM | DESCRIPTION   |
|------|-------------|-----|------|--------|------|--------|-------|------|---|
| 1    |             |     |      |        |      |        |       |      | HEATER KIT, Engine Block  |
|      | 8220 7243   | 1   |      |        |      |        |       |      | 2.4L Engine   |
|      | 8220 1506   | 1   |      |        |      |        |       |      | 4.0L Engine   |
| 2    |             |     |      |        |      |        |       |      | HEATER, Engine Block, Serviced only in package, (NOT SERVICED) (Not Serviced) |
| 3    |             |     |      |        |      |        |       |      | CORD, Engine Block Heater   |
|      | 56044 160AA | 1   |      |        |      |        |       |      | For 2.4L Engine   |
|      | J575 2677   | 1   |      |        |      |        |       |      | For 4.0L Engine   |
| 4    | 6015 756    | 1   |      |        |      |        |       |      | STRAP, Tie  |



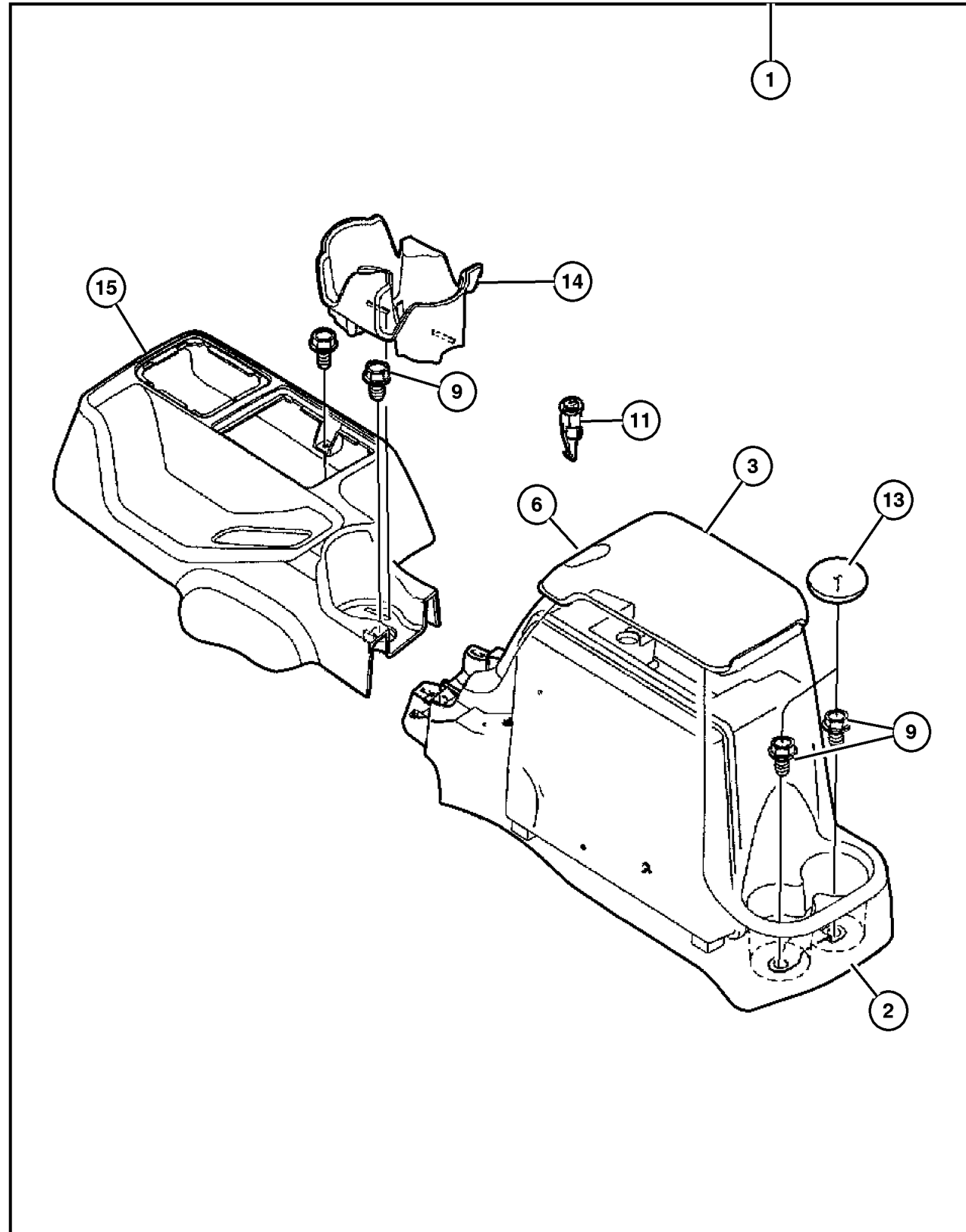
|                           |                        |              |                       |                              |
|---------------------------|------------------------|--------------|-----------------------|------------------------------|
| <b>JEEP WRANGLER (TJ)</b> |                        |              |                       |                              |
| SERIES                    | LINE                   | BODY         | ENGINE                | TRANSMISSION                 |
| H = Sport                 | J = Wrangler 4WD       | 77 = 93.4 WB | ED1, ED0 = 2.4L DOHC  | DGG, DGD = 32RH 3 Spd. Auto. |
| L = SE                    | U = Wrangler 4WD (RHD) |              | ERH = 4.0L Power Tech | DDD = 5 Speed HD Manual      |
| M = X                     |                        |              |                       | DG0 = Auto. Trans.           |
| P = Sahara                |                        |              |                       | DBB = Manual Trans.          |
| S = Rubicon               |                        |              |                       | DDK = 5 Speed Manual         |

AR = Use as required - = Non illustrated part # = New this model year

August 27, 2004



Console Kit - Floor  
Figure 001-820



| ITEM | PART NUMBER | QTY | LINE | SERIES | BODY | ENGINE | TRANS | TRIM | DESCRIPTION  |
|------|-------------|-----|------|--------|------|--------|-------|------|--|
| 1    |             |     |      |        |      |        |       |      | CONSOLE PACKAGE, Center                                |
|      | 8220 7705   | 1   |      |        |      |        |       |      | Khaki  |
|      | 8220 7706   | 1   |      |        |      |        |       |      | Grey   |
| 2    |             |     |      |        |      |        |       |      | CONSOLE, Floor   |
|      | 5HE62 ZJ3AG | 1   |      |        |      |        |       |      | Khaki  |
|      | 5HE62 XDVAG | 1   |      |        |      |        |       |      | Grey   |
| 3    |             |     |      |        |      |        |       |      | LID, Center Console Storage                            |
|      | 5HE63 XDVAE | 1   |      |        |      |        |       |      | Grey   |
|      | 5HE63 ZJ3AE | 1   |      |        |      |        |       |      | Khaki  |
| -4   | 55315 039AB | 1   |      |        |      |        |       |      | HINGE, Floor Console Lid                               |
| -5   | 55315 040AC | 1   |      |        |      |        |       |      | BIN, Storage   |
| 6    | 55315 041AD | 1   |      |        |      |        |       |      | LATCH, Armrest Lid                                     |
| -7   | 55315 043AC | 1   |      |        |      |        |       |      | PLATE, Speaker   |
| -8   | 55361 331AA | 2   |      |        |      |        |       |      | BUMPER, Glove Box Door                                 |
| 9    | 6032 723    | 2   |      |        |      |        |       |      | SCREW, Self Tapping, M4.2x1.69x19.05                   |
| -10  | 6034 833    | 2   |      |        |      |        |       |      | CLIP, Push, .164-7.5                                   |
| 11   | 4746 305    | 1   |      |        |      |        |       |      | CYLINDER, Console Lock                                 |
| -12  |             |     |      |        |      |        |       |      | SCREW, M6.3x1.81x30.0, (NOT SERVICED) (Not Serviced)   |
| 13   | 55315 050AA | 1   |      |        |      |        |       |      | MAT, Floor   |
| 14   | 55315 038AC | 1   |      |        |      |        |       |      | CUPHOLDER, Console                                     |
| 15   |             |     |      |        |      |        |       |      | CONSOLE, Floor   |
|      | 5JP65 XDVAD | 1   |      |        |      |        |       |      | Grey   |
|      | 5JP65 ZJ3AD | 1   |      |        |      |        |       |      | Khaki  |
| -16  |             |     |      |        |      |        |       |      | WIRING, Serviced in Kit, (NOT SERVICED) (Not Serviced) |

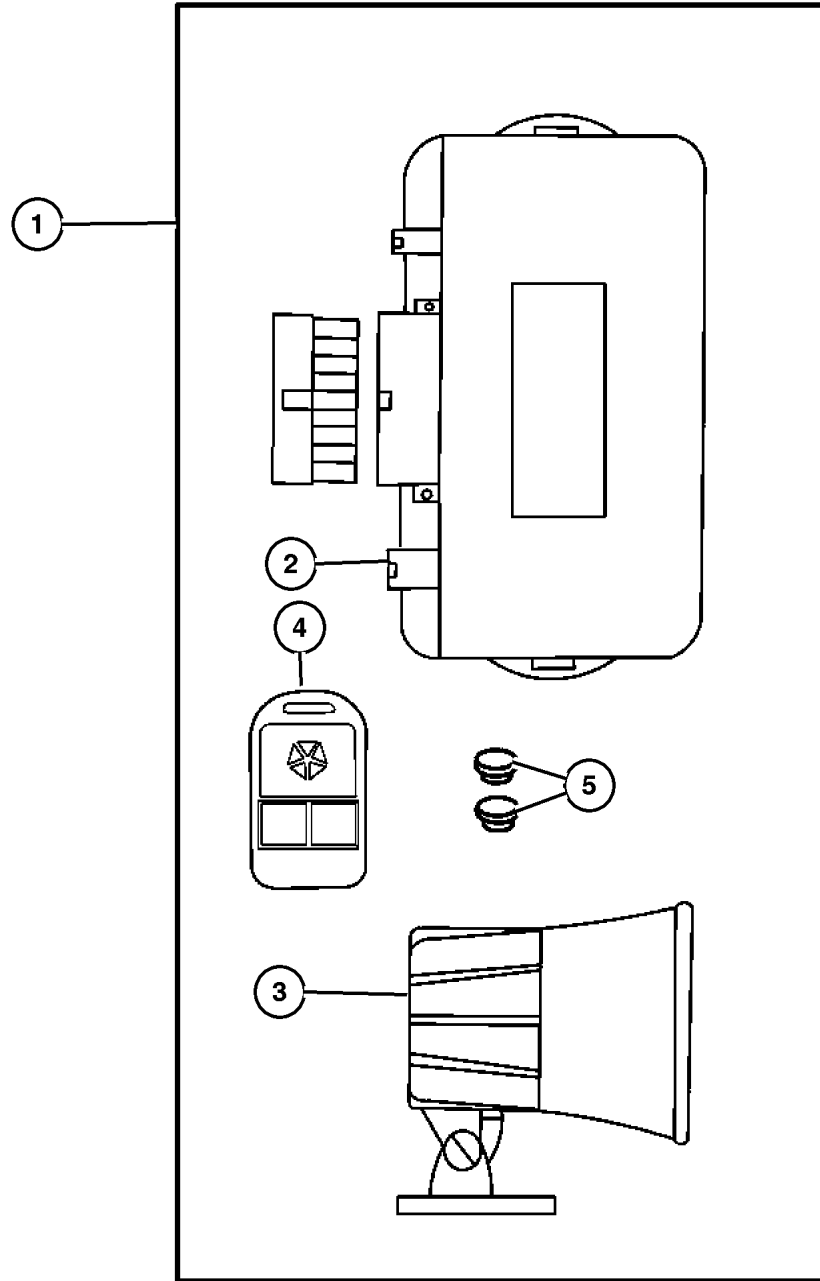
JEEP WRANGLER (TJ)

| SERIES      | LINE                   | BODY         | ENGINE                | TRANSMISSION                 |
|-------------|------------------------|--------------|-----------------------|------------------------------|
| H = Sport   | J = Wrangler 4WD       | 77 = 93.4 WB | ED1, ED0 = 2.4L DOHC  | DGG, DGD = 32RH 3 Spd. Auto. |
| L = SE      | U = Wrangler 4WD (RHD) |              | ERH = 4.0L Power Tech | DDD = 5 Speed HD Manual      |
| M = X       |                        |              |                       | DG0 = Auto. Trans.           |
| P = Sahara  |                        |              |                       | DBB = Manual Trans.          |
| S = Rubicon |                        |              |                       | DDK = 5 Speed Manual         |

AR = Use as required - = Non illustrated part # = New this model year

August 27, 2004

**Alarm - EVS Base System  
Figure 001-910**



| ITEM | PART NUMBER | QTY | LINE | SERIES | BODY | ENGINE | TRANS | TRIM | DESCRIPTION                       |
|------|-------------|-----|------|--------|------|--------|-------|------|-----------------------------------|
| 1    | 8220 3763   | 1   |      |        |      |        |       |      | MODULE KIT, Alarm without Keyless |
| 2    | 5012 164AA  | 1   |      |        |      |        |       |      | MODULE, Security Alarm            |
| 3    | 8220 3198   | 1   |      |        |      |        |       |      | SIREN, Alarm                      |
| 4    | 4886 374AA  | 1   |      |        |      |        |       |      | TRANSMITTER, Alarm or Keyless     |
| 5    | 4636 141    | 1   |      |        |      |        |       |      | BATTERY, Transmitter              |
| -6   | 4886 259AA  | 1   |      |        |      |        |       |      | INDICATOR, Valet Status           |
| -7   | 4886 258AA  | 1   |      |        |      |        |       |      | SWITCH, Programing Bypass         |

**JEEP WRANGLER (TJ)**

|             |                        |              |                       |                              |
|-------------|------------------------|--------------|-----------------------|------------------------------|
| SERIES      | LINE                   | BODY         | ENGINE                | TRANSMISSION                 |
| H = Sport   | J = Wrangler 4WD       | 77 = 93.4 WB | ED1, ED0 = 2.4L DOHC  | DGG, DGD = 32RH 3 Spd. Auto. |
| L = SE      | U = Wrangler 4WD (RHD) |              | ERH = 4.0L Power Tech | DDD = 5 Speed HD Manual      |
| M = X       |                        |              |                       | DG0 = Auto. Trans.           |
| P = Sahara  |                        |              |                       | DBB = Manual Trans.          |
| S = Rubicon |                        |              |                       | DDK = 5 Speed Manual         |

AR = Use as required - = Non illustrated part # = New this model year

August 27, 2004

# Group – 002

## Front Suspension & Drive

### GROUP 2 - Front Suspension & Drive

Illustration Title

Group-Fig. No.

#### Front Suspension

Suspension, Front Spring with Control Arms and Track Bar ..... Fig. 002-110

Bar, Front Sway ..... Fig. 002-120

#### Front Axle Drive Shafts

Shafts, Front Axle ..... Fig. 002-210

#### Front Axle Housing

Housing,Front Axle,4 Wheel Drive ..... Fig. 002-310

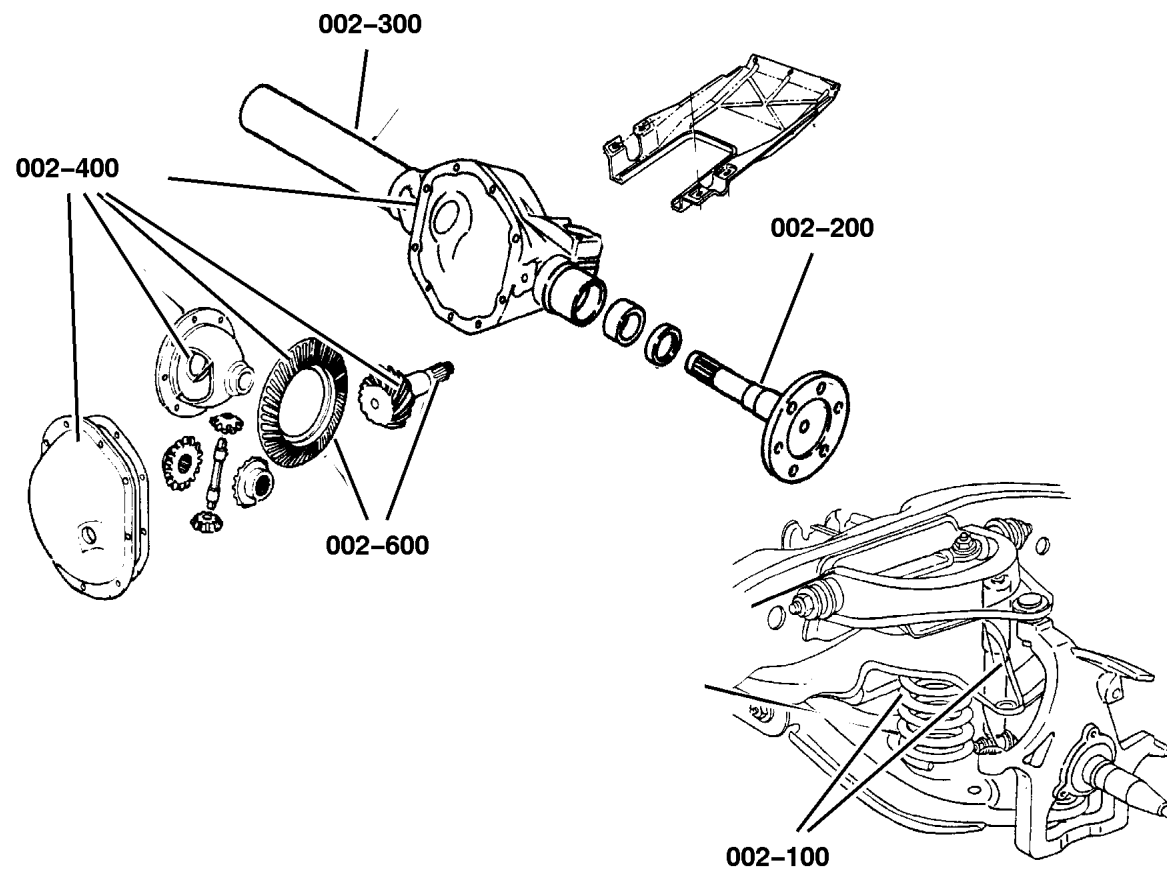
#### Front Axle Assembly



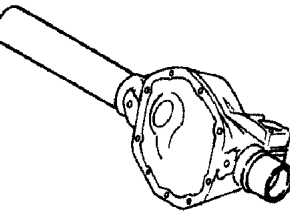
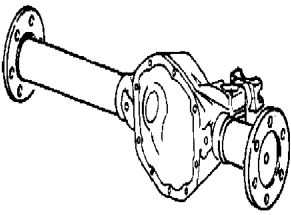
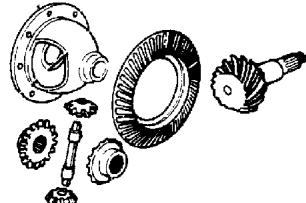
Axle Assembly,Front,4 Wheel Drive ..... Fig. 002-410

#### Front Axle Differential

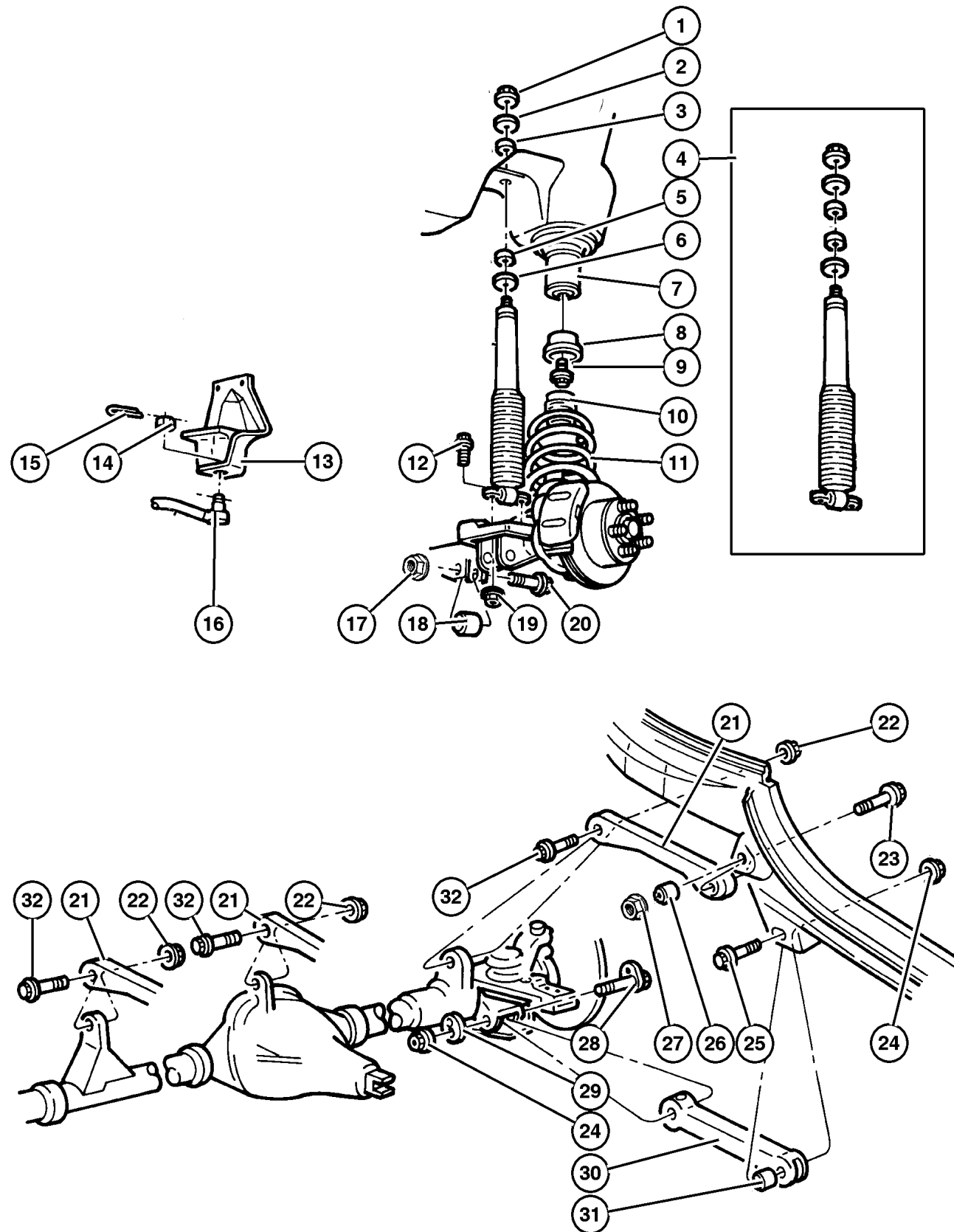
Differential,Front Axle,Without [DSE] ..... Fig. 002-610

Differential,Front Axle,With [DSE] ..... Fig. 002-620



|   |   |   |   |
|---|---|---|---|
| <p><b>002-100</b><br/>Front Suspension</p>         | <p><b>002-200</b><br/>Front Axle Drive Shafts</p>  | <p><b>002-300</b><br/>Front Axle Housing</p>  | <p><b>002-400</b><br/>Front Axle Assembly</p>  |
| <p><b>002-600</b><br/>Front Axle Differential</p>  |   |   |   |

## Suspension, Front Spring with Control Arms and Track Bar Figure 002-110



| ITEM   | PART NUMBER | QTY | LINE | SERIES | BODY   | ENGINE | TRANS | TRIM | DESCRIPTION   |
|--|-------------|-----|------|--------|--------|--------|-------|------|---|
| Note: Sales Codes;   |             |     |      |        |        |        |       |      |   |
| [SDA]=Shock Absorbers - Gas Charged/Normal Duty  |             |     |      |        |        |        |       |      |   |
| [SDU]=Shocks - High Pressure Gas Charged   |             |     |      |        |        |        |       |      |   |
| [XDC]= Frame - Export, Unique  |             |     |      |        |        |        |       |      |   |
| [ZBE] Through [ZPJ]= Spring Sales Codes which will be found on Vehicle Identification Number [VIN] Sales Code Listing. |             |     |      |        |        |        |       |      |   |
| 1  | 6502 556    | 2   |      |        |        |        |       |      | NUT, Hex, M10-1.5, Shock Mounting, Upper                          |
| 2  | 5200 5574   | 2   |      |        |        |        |       |      | RETAINER, Shock Absorber, Shock Mounting, Upper                   |
| 3  | 5208 7768   | 2   |      |        |        |        |       |      | GROMMET, Shock Absorber, Shock Mounting, Upper                    |
| 4  |             |     |      |        |        |        |       |      | SHOCK ABSORBER PACKAGE, Suspension, Front, 4                      |
|  | 4897 567AA  | 2   |      |        | 77     |        |       |      | [SDA]   |
|  | 5114 318AB  | 2   |      |        | 77, 78 |        |       |      | [SDU]   |
| 5  | 5208 7769   | 2   |      |        | 77, 78 |        |       |      | GROMMET, Shock Absorber, Lower                                    |
| 6  | 5200 5575   | 2   |      |        | 77     |        |       |      | RETAINER, Shock Absorber, Lower                                   |
| 7  | 5208 7767   | 2   |      |        |        |        |       |      | ISOLATOR, Spring, 5, Upper  |
| 8  | 5208 7635   | 2   |      |        |        |        |       |      | CUP, Jounce Bumper, 6   |
| 9  | 6100 402    | 2   |      |        |        |        |       |      | BOLT, Hex Head, M10x35, Jounce Bumper Cup, Mounting               |
| 10   | 52087 636AB | 2   |      |        |        |        |       |      | BUMPER, Jounce, Up To 09-15-03                                    |
| 11   | 52060 130AA | 1   |      |        |        |        |       |      | SPRING, Front Coil [ZBH,ZPH]                                      |
|  | 52060 131AA | 1   |      |        |        |        |       |      | [ZBJ,ZPJ]   |
|  | 52088 127AB | 1   |      |        |        |        |       |      | [ZBE,ZPE]   |
|  | 52088 128AB | 1   |      |        |        |        |       |      | [ZBF,ZPF]   |
|  | 52088 129AB | 1   |      |        |        |        |       |      | [ZBG,ZPG]   |
| 12   | 6502 555    | 4   |      |        |        |        |       |      | BOLT, M8x1.25x30, Shock Mounting, Lower                           |
| 13   |             |     |      |        |        |        |       |      | BRACKET, Track Bar, Purchase Frame, (NOT SERVICED) (Not Serviced) |
| 14   | 6034 358    | 1   |      |        |        |        |       |      | NUT, Hex, .50-20, Track Bar, Mounting                             |
| 15   |             |     |      |        |        |        |       |      | PIN, Cotter, M4x40.00, (NOT SERVICED) (Not Serviced)              |
| 16   |             |     |      |        |        |        |       |      | BAR, Track  |
|  | 5208 8432   | 1   |      | J      |        |        |       |      |   |
|  | 5208 8430   | 1   |      | U      |        | 77     |       |      |   |
| 17   |             |     |      |        |        |        |       |      | NUT, Hex Flange Lock, M10x1.5                                     |

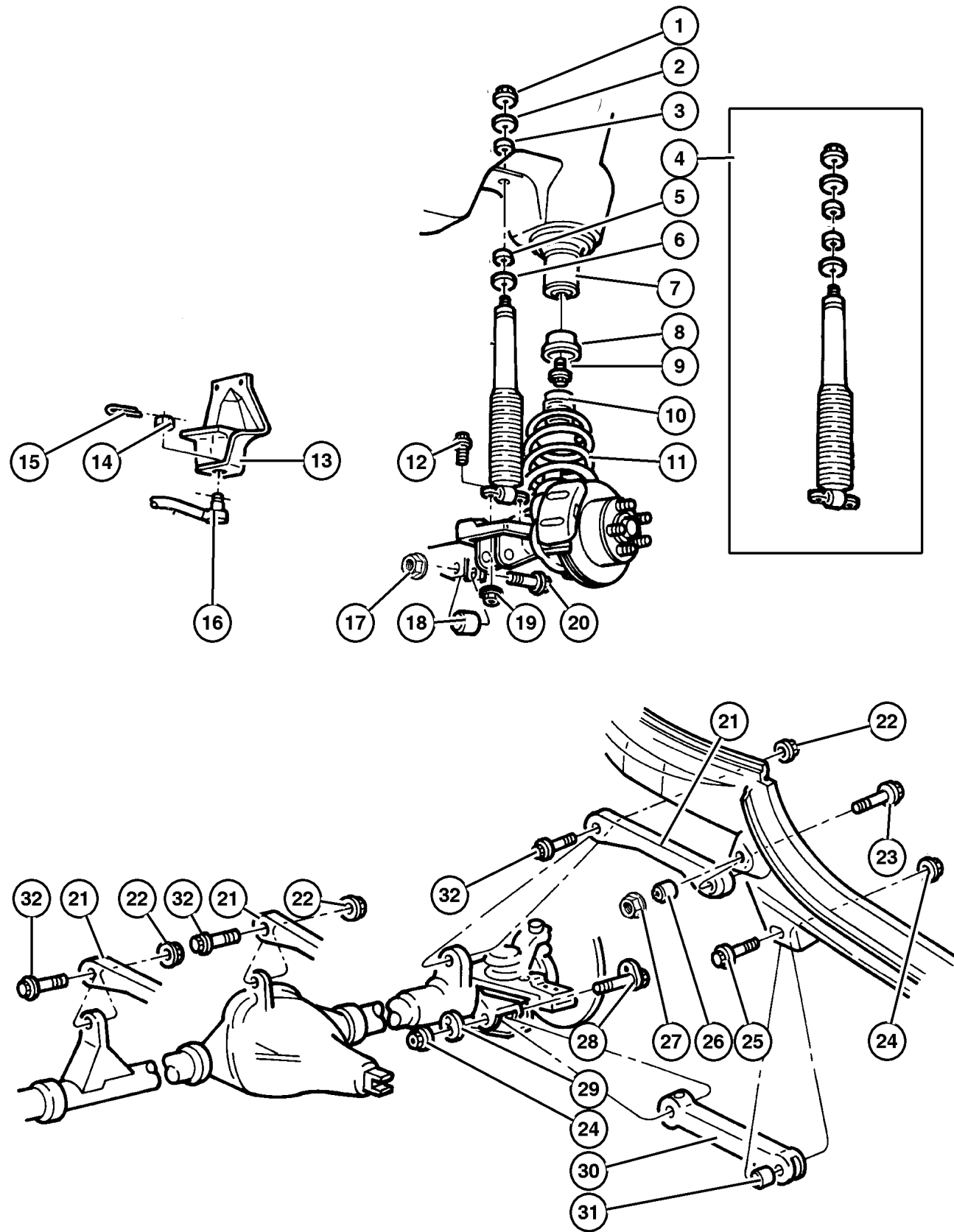
### JEEP WRANGLER (TJ)

| SERIES      | LINE                   | BODY         | ENGINE                | TRANSMISSION                 |
|-------------|------------------------|--------------|-----------------------|------------------------------|
| H = Sport   | J = Wrangler 4WD       | 77 = 93.4 WB | ED1, ED0 = 2.4L DOHC  | DGG, DGD = 32RH 3 Spd. Auto. |
| L = SE      | U = Wrangler 4WD (RHD) |              | ERH = 4.0L Power Tech | DDD = 5 Speed HD Manual      |
| M = X       |                        |              |                       | DG0 = Auto. Trans.           |
| P = Sahara  |                        |              |                       | DBB = Manual Trans.          |
| S = Rubicon |                        |              |                       | DDK = 5 Speed Manual         |

AR = Use as required - = Non illustrated part # = New this model year

August 27, 2004

## Suspension, Front Spring with Control Arms and Track Bar Figure 002-110



| ITEM | PART NUMBER | QTY | LINE | SERIES     | BODY | ENGINE | TRANS | TRIM | DESCRIPTION  |
|------|-------------|-----|------|------------|------|--------|-------|------|--|
|      | 6506 264AA  | 1   | J    |            |      |        |       |      | Track Bar To Axle, Mounting  |
|      | 6502 696    | 1   | U    |            | 77   |        |       |      | Track Bar To Axle, Mounting  |
| 18   | 5208 8431   | 1   | U    |            | 77   |        |       |      | BUSHING, Track Bar   |
|      |             | 1   | J    |            |      |        |       |      |  |
| 19   | 6101 695    | 4   |      |            |      |        |       |      | NUT, Hex Flange Lock, Shock Mounting, Mounting                       |
| 20   | 6505 549AA  | 1   |      |            |      |        |       |      | SCREW, Track Bar to Axle, Mounting                                   |
| 21   | 52059 623AA | 2   |      |            |      |        |       |      | ARM, Control With [XDC] with Bushings, Upper                         |
|      | 5208 7711   | 2   |      |            |      |        |       |      | Without [XDC] with Bushings, Upper                                   |
| 22   | 1150 6007   | 2   |      |            |      |        |       |      | NUT, Hex Flange, M10x1.5, UCA to Axle, Mounting                      |
| 23   | 6503 085    | 2   |      |            |      |        |       |      | BOLT, Hex Flange Head, M10x1.50x78.20, UCA to Frame                  |
| 24   | 6502 698    | 4   |      |            |      |        |       |      | NUT, Hex Flange Lock, LCA to Frame or Axle, Mounting                 |
| 25   | 6506 033AA  | 2   |      |            |      |        |       |      | BOLT, Hex Flange Head, M14x2.0x105, LCA to Frame, Mounting           |
| 26   | 5208 7852   | 2   |      |            |      |        |       |      | BUSHING, Control Arm   |
| 27   | 6503 648    | 2   |      |            |      |        |       |      | NUT AND RETAINER, Hex Flange Lock, m8x1.25, UCA to Frame, Mounting   |
| 28   | 6504 238    | 2   |      |            |      |        |       |      | BOLT AND WASHER, Hex Head, M14 x 2.00 x 111.6, LCA to Axle, Mounting |
| 29   | 6504 236    | 2   |      |            |      |        |       |      | WASHER, M14, LCA to Axle, Mounting                                   |
| 30   | 52059 622AB | 2   |      |            |      |        |       |      | ARM, Control With [XDC] with Bushings                                |
|      | 52088 654AB | 2   |      |            |      |        |       |      | Without [XDC] with Bushings  |
| 31   | 5208 8433   | 4   |      | H, L, M, P |      |        |       |      | BUSHING, Control Arm, Lower  |
| 32   | 6505 154AA  | 2   |      |            |      |        |       |      | BOLT, UCA to Axle  |

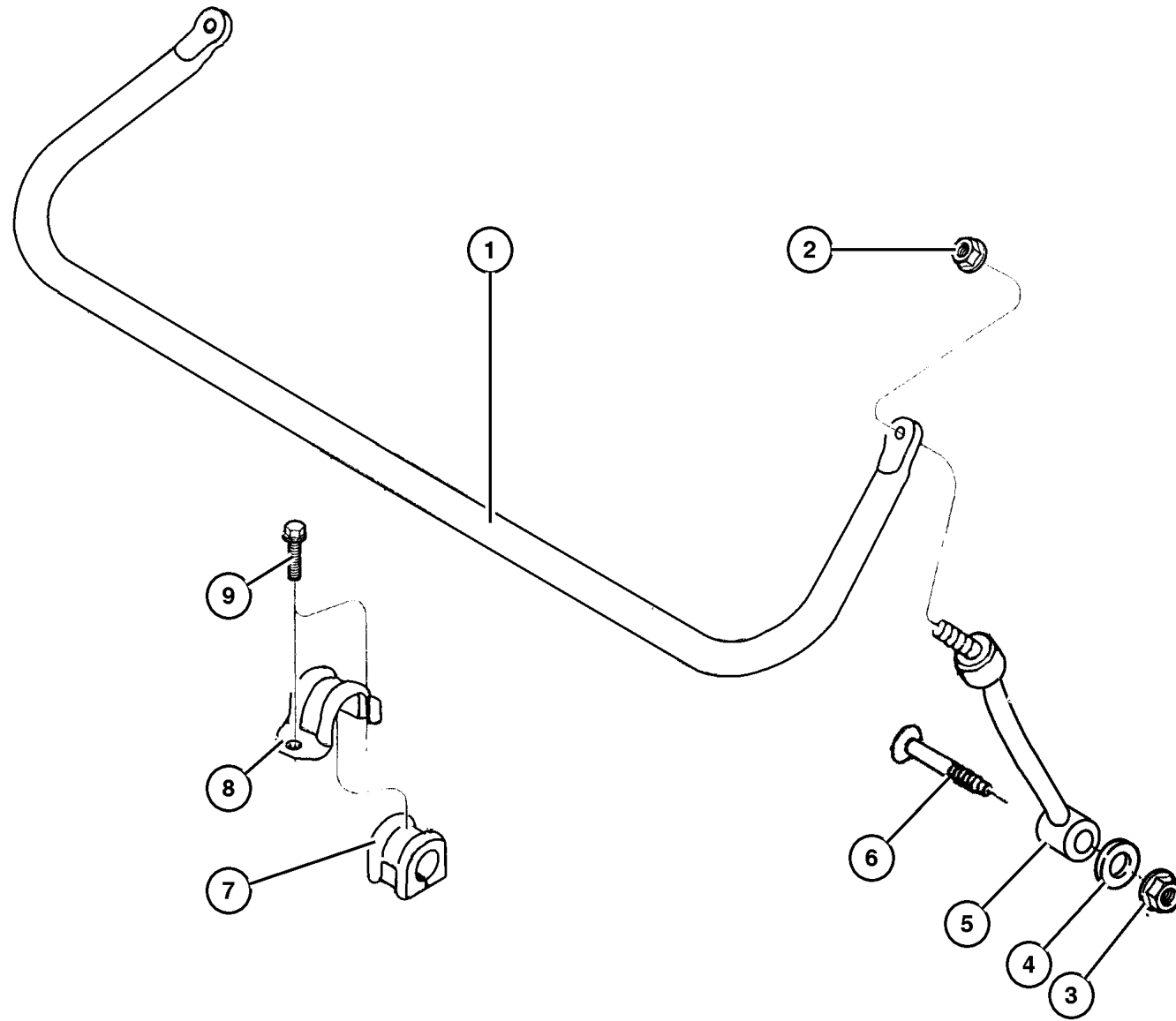
### JEEP WRANGLER (TJ)

| SERIES      | LINE                   | BODY         | ENGINE                | TRANSMISSION                 |
|-------------|------------------------|--------------|-----------------------|------------------------------|
| H = Sport   | J = Wrangler 4WD       | 77 = 93.4 WB | ED1, ED0 = 2.4L DOHC  | DGG, DGD = 32RH 3 Spd. Auto. |
| L = SE      | U = Wrangler 4WD (RHD) |              | ERH = 4.0L Power Tech | DDD = 5 Speed HD Manual      |
| M = X       |                        |              |                       | DG0 = Auto. Trans.           |
| P = Sahara  |                        |              |                       | DBB = Manual Trans.          |
| S = Rubicon |                        |              |                       | DDK = 5 Speed Manual         |

AR = Use as required - = Non illustrated part # = New this model year

August 27, 2004

Bar, Front Sway  
Figure 002-120



| ITEM | PART NUMBER | QTY | LINE | SERIES | BODY | ENGINE | TRANS | TRIM | DESCRIPTION  |
|------|-------------|-----|------|--------|------|--------|-------|------|--|
| 1    | 5208 7824   | 1   |      |        |      |        |       |      | STABILIZER BAR, Front Suspension                                     |
| 2    | 6502 979    | 2   |      |        |      |        |       |      | NUT AND WASHER, Hex, M10x1.5, Sway Bar to Link, Mounting             |
| 3    | 6502 697    | 2   |      |        |      |        |       |      | NUT, Hex Flange Lock, M12x1.75, Sway Bar Link To Axle, Mounting      |
| 4    | 6504 558    | 2   |      |        |      |        |       |      | WASHER, ID 13.07 OD 40.00 THK 3.50, Sway Bar Link To Axle, Mounting  |
| 5    | 52087 771AB | 2   |      |        |      |        |       |      | LINK, Sway Eliminator, Sway Bar to Axle                              |
| 6    | 6505 465AA  | 2   |      |        |      |        |       |      | SCREW, Truss Head, M12x1.75x70, Sway Bar Link to Axle, Mounting      |
| 7    | 52088 378AB | 2   |      |        |      |        |       |      | BUSHING, Sway Bar  |
| 8    | 5203 7710   | 2   |      |        |      |        |       |      | RETAINER, Sway Bar, Mounting   |
| 9    | 6102 037AA  | 4   |      |        |      |        |       |      | SCREW AND WASHER, Hex Head, M10x1.50x35, Sway Bar Retainer, Mounting |

JEEP WRANGLER (TJ)

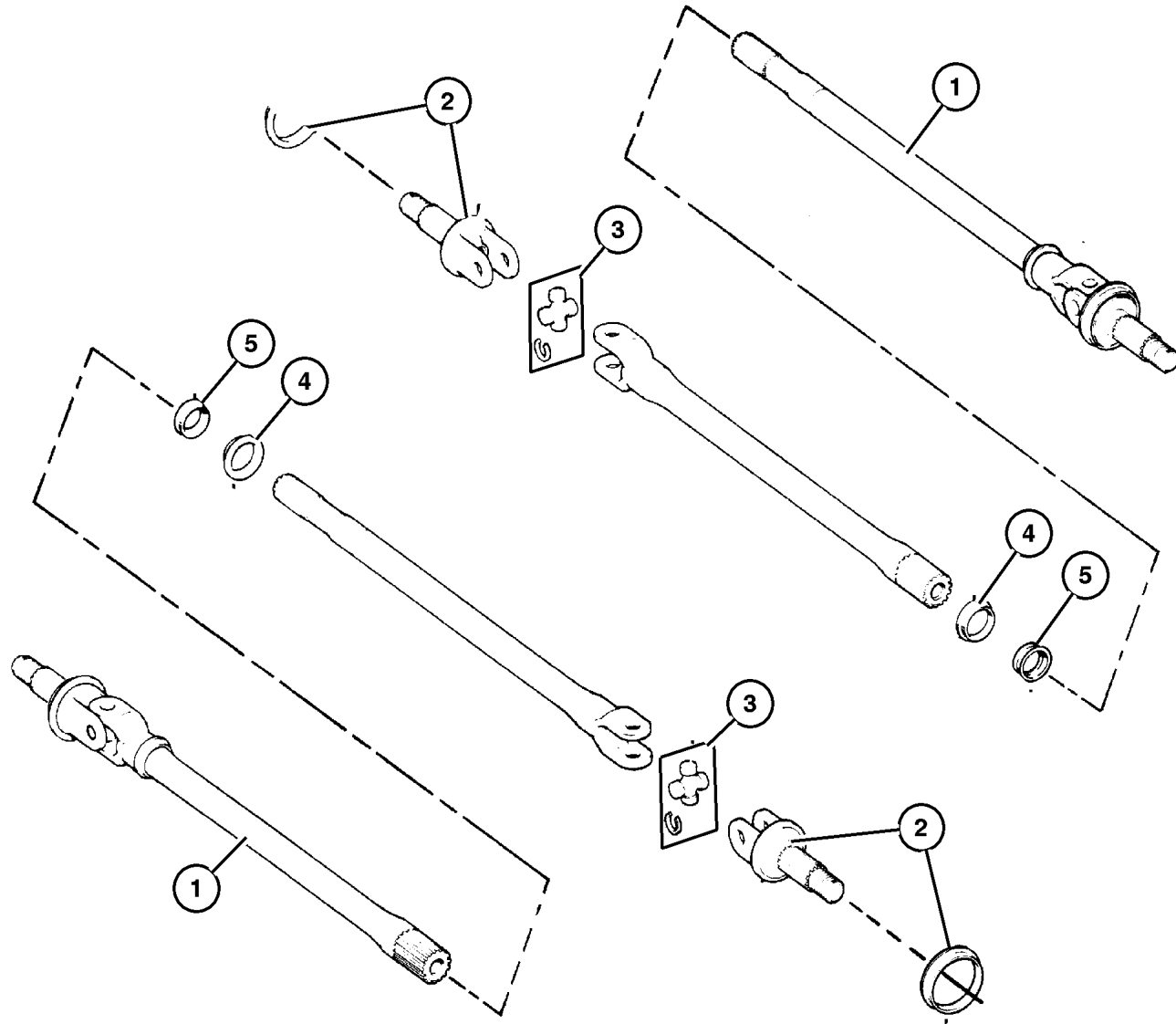
| SERIES      | LINE                   | BODY         | ENGINE                | TRANSMISSION                 |
|-------------|------------------------|--------------|-----------------------|------------------------------|
| H = Sport   | J = Wrangler 4WD       | 77 = 93.4 WB | ED1, ED0 = 2.4L DOHC  | DGG, DGD = 32RH 3 Spd. Auto. |
| L = SE      | U = Wrangler 4WD (RHD) |              | ERH = 4.0L Power Tech | DDD = 5 Speed HD Manual      |
| M = X       |                        |              |                       | DG0 = Auto. Trans.           |
| P = Sahara  |                        |              |                       | DBB = Manual Trans.          |
| S = Rubicon |                        |              |                       | DDK = 5 Speed Manual         |

AR = Use as required - = Non illustrated part # = New this model year

August 27, 2004

**Shafts, Front Axle  
Figure 002-210**

| ITEM  | PART NUMBER | QTY | LINE | SERIES | BODY | ENGINE | TRANS | TRIM | DESCRIPTION            |
|---|-------------|-----|------|--------|------|--------|-------|------|------------------------|
| Note:Sales Codes;                           |             |     |      |        |      |        |       |      |                        |
| [BGA]=Brakes - Power Front Disc/Rear Drum   |             |     |      |        |      |        |       |      |                        |
| [BGK]=Brakes - 4-Wheel Anti-lock            |             |     |      |        |      |        |       |      |                        |
| [BRW]=Brakes - 4-Wheel Disc                 |             |     |      |        |      |        |       |      |                        |
| [DJC]=Axle -Front, Heavy Duty Dana M44/216M |             |     |      |        |      |        |       |      |                        |
| 1   |             |     |      |        |      |        |       |      | SHAFT, Axle            |
|   | 4874 302    | 1   | J    |        |      |        |       |      | [BGA], Right           |
|   | 4874 303    | 1   | J    |        |      |        |       |      | [BGA], Left            |
|   | 4874 306    | 1   | J    |        |      |        |       |      | [BGK], Right           |
|   | 4874 307    | 1   | J    |        |      |        |       |      | [BGK], Left            |
|   | 5083 666AA  | 1   | J    |        |      |        |       |      | [DJC,BRW], Right       |
|   | 5083 667AA  | 1   | J    |        |      |        |       |      | [DJC,BRW], Left        |
|   | 4874 302    | 1   | U    |        | 77   |        |       |      | [BGA], Right           |
|   | 4874 303    | 1   | U    |        | 77   |        |       |      | [BGA], Left            |
|   | 4874 306    | 1   | U    |        | 77   |        |       |      | [BGK], Right           |
|   | 4874 307    | 1   | U    |        | 77   |        |       |      | [BGK], Left            |
| 2   |             |     |      |        |      |        |       |      | SHAFT, Axle            |
|   | 8350 0184   | 1   | J    |        |      |        |       |      | [BGA], Right or Left   |
|   | 4728 984    | 1   | J    |        |      |        |       |      | [BGK], Right or Left   |
|   | 5083 666AA  | 1   | J    |        |      |        |       |      | [DJC,BRW], Right       |
|   | 5083 667AA  | 1   | J    |        |      |        |       |      | [DJC,BRW], Left        |
|   | 8350 0184   | 1   | U    |        | 77   |        |       |      | [BGA], Right or Left   |
|   | 4728 984    | 1   | U    |        | 77   |        |       |      | [BGK], Right or Left   |
| 3   |             |     |      |        |      |        |       |      | U JOINT, Front Axle    |
|   | 4137 757    | 1   | J    |        |      |        |       |      | Right or Left          |
|   | 5083 670AA  | 1   | J    |        |      |        |       |      | [DJC], Right or Left   |
|   | 4137 757    | 1   | U    |        | 77   |        |       |      | Right or Left          |
| 4   |             |     |      |        |      |        |       |      | SLINGER, Oil           |
|   | 4882 135    | 2   | J    |        |      |        |       |      | Right or Left          |
|   | 5083 669AA  | 2   | J    |        |      |        |       |      | [DJC], Right or Left   |
|   | 4882 135    | 2   | U    |        | 77   |        |       |      | Right or Left          |
| 5   |             |     |      |        |      |        |       |      | SEAL, Axle Drive Shaft |
|   | 4874 477    | 2   | J    |        |      |        |       |      | Right or Left          |
|   | 5014 852AA  | 2   | J    |        |      |        |       |      | [DJC], Right or Left   |
|   | 4874 477    | 2   | U    |        | 77   |        |       |      | Right or Left          |



**JEEP WRANGLER (TJ)**

|             |                        |              |                       |                         |
|-------------|------------------------|--------------|-----------------------|-------------------------|
| SERIES      | LINE                   | BODY         | ENGINE                | TRANSMISSION            |
| H = Sport   | J = Wrangler 4WD       | 77 = 93.4 WB | ED1, ED0 = 2.4L DOHC  | DGG, DGD = 32RH 3 Spd.  |
| L = SE      | U = Wrangler 4WD (RHD) |              | ERH = 4.0L Power Tech | Auto.                   |
| M = X       |                        |              |                       | DDD = 5 Speed HD Manual |
| P = Sahara  |                        |              |                       | DG0 = Auto. Trans.      |
| S = Rubicon |                        |              |                       | DBB = Manual Trans.     |
|             |                        |              |                       | DDK = 5 Speed Manual    |

AR = Use as required - = Non illustrated part # = New this model year

August 27, 2004

## Housing,Front Axle,4 Wheel Drive Figure 002-310

| ITEM                             | PART NUMBER | QTY | LINE | SERIES | BODY | ENGINE | TRANS | TRIM | DESCRIPTION   |
|----------------------------------|-------------|-----|------|--------|------|--------|-------|------|---|
| Note: Sales Codes;               |             |     |      |        |      |        |       |      |   |
| [DSE]=Axle - Trulok Differential |             |     |      |        |      |        |       |      |   |
| 1                                | J417 5376   | 1   |      |        |      |        |       |      | STRAP, Tie  |
| 2                                | J535 2955   | 1   |      |        |      |        |       |      | VENT, Axle, Upper   |
| 3                                | J014 0780   | 1   |      |        |      |        |       |      | CLIP, Wrap Around, Upper  |
| 4                                | HFV00 516AB | 1   |      |        |      |        |       |      | HOSE, Fuel And Vapor, 25 Foot Roll<br>5/16", Axle Vent  |
| 5                                | 5083 664AA  | 1   | J    |        |      |        |       |      | HOSE, Axle Vent, For pump hose<br>connection  |
| 6                                | 6503 573    | 1   |      |        |      |        |       |      | CLAMP, Hose, Axle Vent Hose,<br>Lower   |
| 7                                |             |     |      |        |      |        |       |      | VENT, Axle<br>Lower   |
|                                  | 8350 4653   | 1   | J    |        |      |        |       |      | Lower   |
|                                  | 5083 663AB  | 1   | J    |        |      | 77     |       |      | [DSE] With Nipple for Pump Hose<br>Connection, Lower  |
| 8                                | 1101 0069   | 2   | J    |        |      |        |       |      | PIN, Cotter, M4x40.00, Upper Ball<br>Joint, Mounting  |
| 9                                | 3420 1535   | 6   | J    |        |      |        |       |      | BOLT, Knuckle to Hub and Bearing,<br>Mounting   |
| 10                               |             |     |      |        |      |        |       |      | RING, Ball Joint  |
|                                  | 8350 0203   | 2   | J    |        |      |        |       |      |   |
|                                  |             | 2   | U    |        |      | 77     |       |      |   |
| 11                               | J012 5258   | 2   | J    |        |      |        |       |      | NUT, Steering Knuckle Socket,<br>Upper Ball Joint, Mounting   |
| 12                               |             |     |      |        |      |        |       |      | KNUCKLE, Front<br>Right   |
|                                  | 5206 7576   | 1   | J    |        |      |        |       |      | Left  |
|                                  | 5206 7577   | 1   | U    |        |      | 77     |       |      |   |
| 13                               | J812 3318   | 2   | J    |        |      |        |       |      | NUT, Lower Ball Joint, Mounting   |
| 14                               |             |     |      |        |      |        |       |      | PIN, Cotter, M4x40.00<br>Lower Ball Joint, Mounting<br>Lower Ball Joint, Mounting                                   |
|                                  | 1101 0069   | 2   | J    |        |      |        |       |      |   |
|                                  |             | 2   | U    |        |      | 77     |       |      |   |
| 15                               |             |     |      |        |      |        |       |      | BALL JOINT KIT, Knuckle<br>Right or Left<br>1 Degree, Right or Left<br>1 1/2 Degree, Right or Left<br>Right or Left |
|                                  | 8350 0202   | 1   | J    |        |      |        |       |      |   |
|                                  | 5014 877AC  | 1   | J    |        |      |        |       |      |   |
|                                  | 5016 972AC  | 1   | J    |        |      |        |       |      |   |
|                                  | 8350 0202   | 1   | U    |        |      | 77     |       |      |   |
|                                  | 5014 876AC  | 1   | U    |        |      | 77     |       |      | 1/2 Degree, Right or Left   |
|                                  | 5014 877AC  | 1   | U    |        |      | 77     |       |      | 1 Degree, Right or Left   |
|                                  | 5016 972AC  | 1   | U    |        |      | 77     |       |      | 1 1/2 Degree, Right or Left   |
| 16                               | J400 6708   | 10  | J    |        |      |        |       |      | SCREW, Pan Head, .312-18x.56  |

### JEEP WRANGLER (TJ)

SERIES  
H = Sport  
L = SE  
M = X  
P = Sahara  
S = Rubicon

LINE  
J = Wrangler 4WD  
U = Wrangler 4WD (RHD)

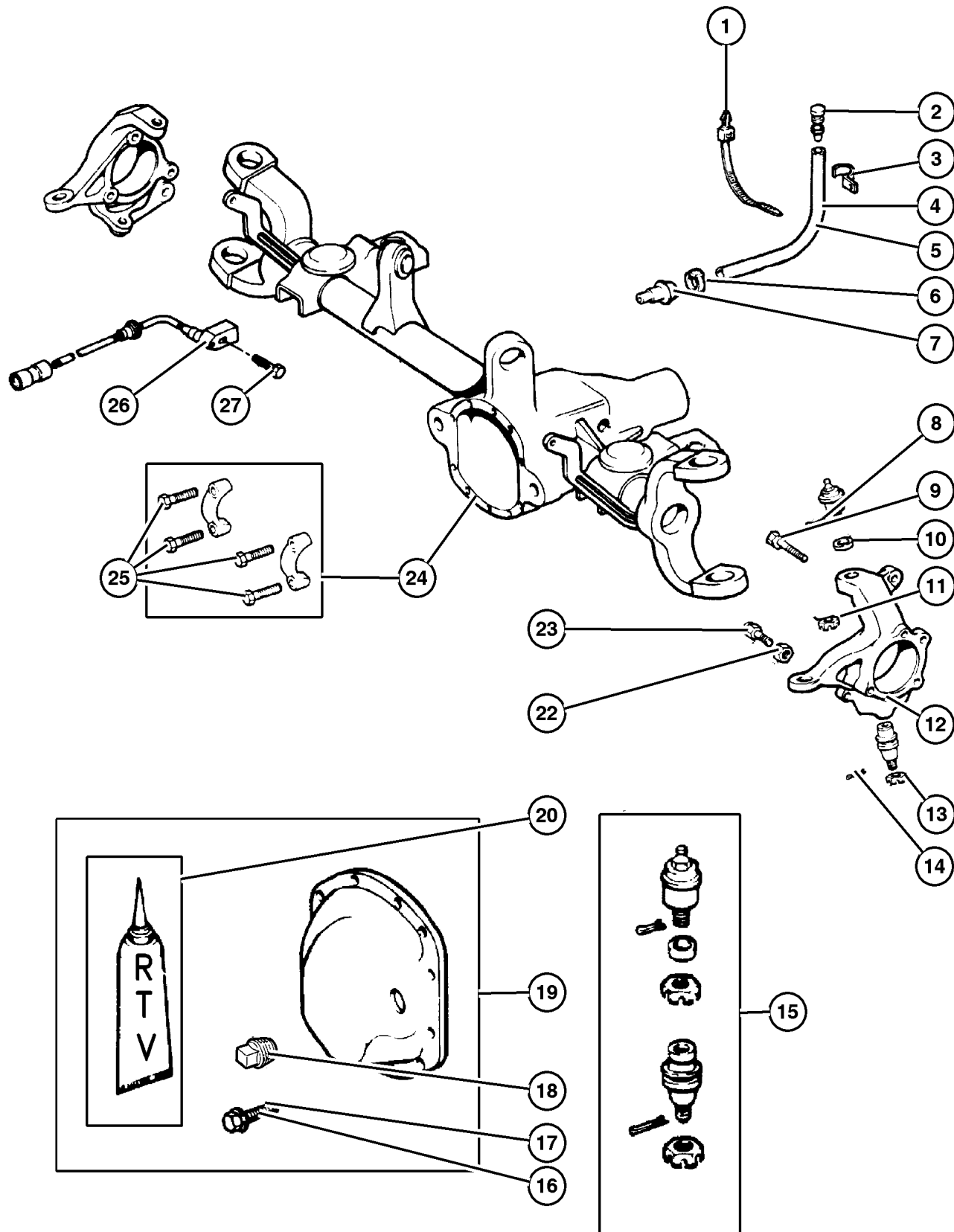
BODY  
77 = 93.4 WB

ENGINE  
ED1, ED0 = 2.4L DOHC  
ERH = 4.0L Power Tech

TRANSMISSION  
DGG, DGD = 32RH 3 Spd.  
Auto.  
DDD = 5 Speed HD Manual  
DGO = Auto. Trans.  
DBB = Manual Trans.  
DDK = 5 Speed Manual

AR = Use as required - = Non illustrated part # = New this model year

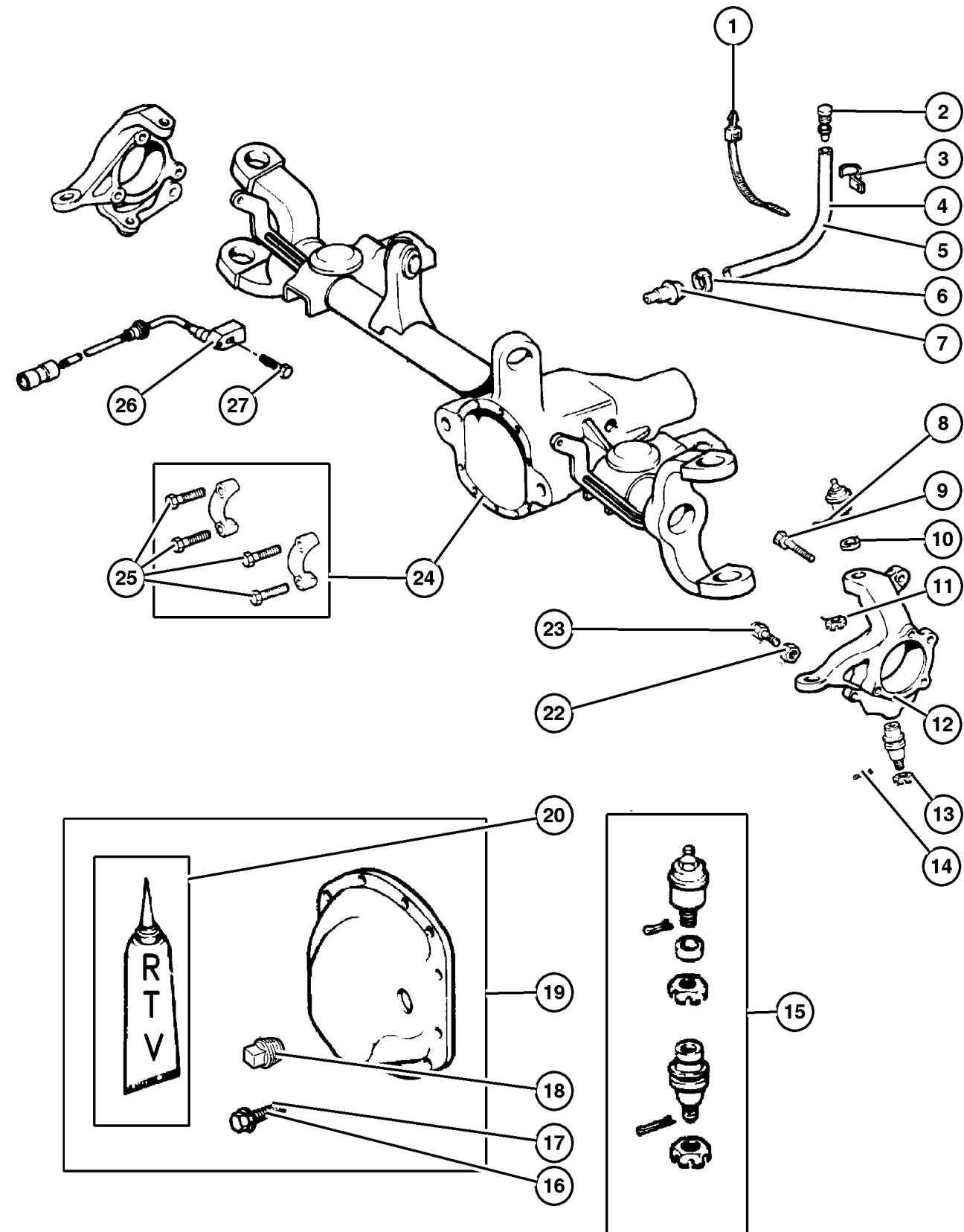
August 27, 2004





## Housing,Front Axle,4 Wheel Drive Figure 002-310

| ITEM | PART NUMBER | QTY | LINE | SERIES | BODY | ENGINE | TRANS | TRIM | DESCRIPTION  |
|------|-------------|-----|------|--------|------|--------|-------|------|--|
| 17   | 2954 031    | 10  | J    |        |      |        |       |      | BOLT, Differential Cover, Differential Cover, Mounting |
| 18   | J400 4751   | 1   | J    |        |      |        |       |      | PLUG, Differential Cover                               |
| 19   | 4713 451    | 1   | J    |        | 77   |        |       |      | COVER, Differential                                    |
| 20   | 5010 884AA  | 1   | J    |        | 77   |        |       |      | SEALANT, RTV   |
| -21  | 5083 358AA  | 4   | J    |        | 77   |        |       |      | WASHER, Flat<br>Stop Bolt Spacer<br>Stop Bolt Spacer   |
| 22   | S011 4494   | 2   | J    |        |      |        |       |      | NUT, Steering Knuckle, Stop Bolt, Mounting             |
| 23   | 1791 701    | 2   | J    |        | 77   |        |       |      | BOLT, Steering Knuckle Stop                            |
| 24   | 4864 840AB  | 1   | J    |        |      |        |       |      | HOUSING, Axle  |
| 25   | 4897 482AB  | 4   | J    |        | 77   |        |       |      | BOLT, Differential                                     |
|      | 5003 648AA  | 4   | J    |        |      |        |       |      | With [DSE]   |
| 26   | 5602 7727   | 2   | J    |        |      |        |       |      | SENSOR, Anti-Lock Brakes                               |
| 27   | 5016 372AA  | 2   | U    |        | 77   |        |       |      | BOLT   |
| -28  | 5083 668AA  | 1   | J    |        |      |        |       |      | BRACKET, Wire Harness                                  |
| -29  | 5602 6766   | 1   | J    |        |      |        |       |      | BRACKET, Brake Sensor<br>Right                         |
|      | 5602 6767   | 1   | J    |        |      |        |       |      | Left   |



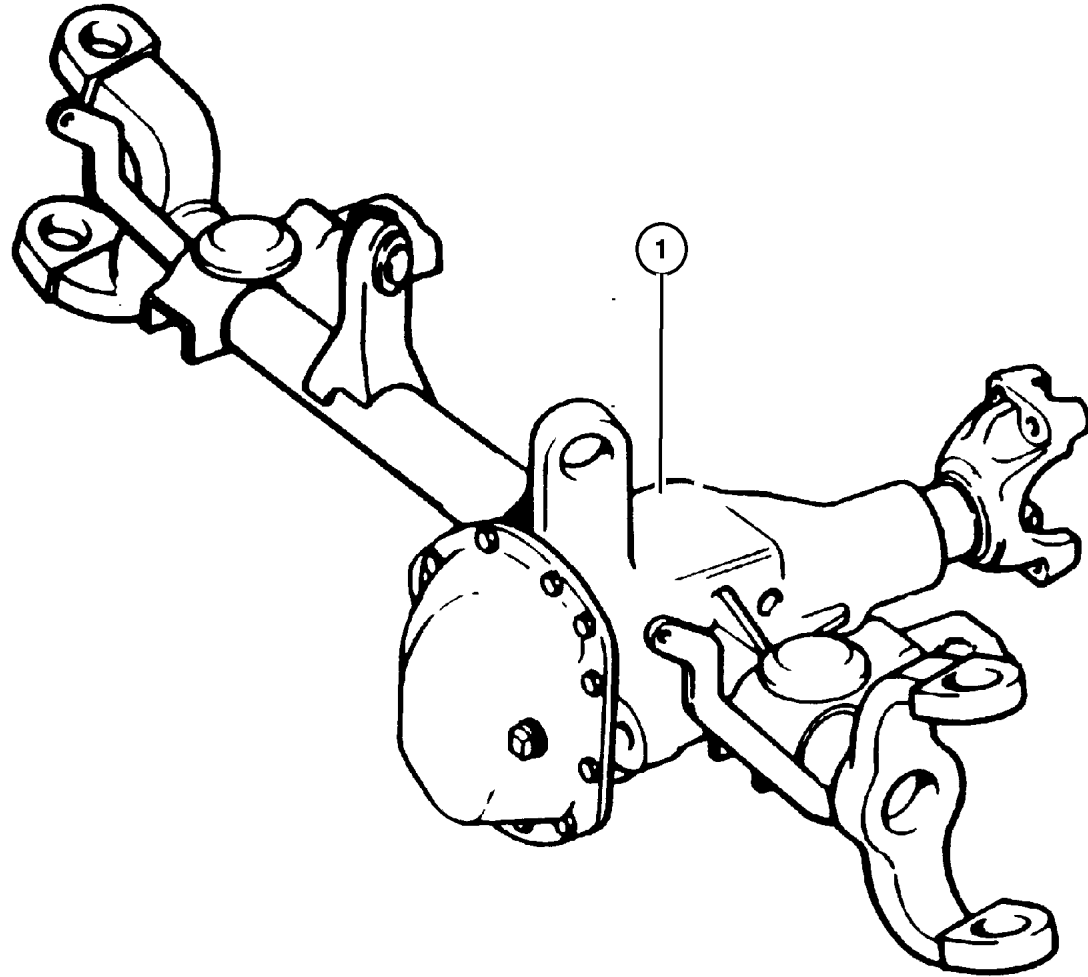
**JEEP WRANGLER (TJ)**

|             |                        |              |                       |                              |
|-------------|------------------------|--------------|-----------------------|------------------------------|
| SERIES      | LINE                   | BODY         | ENGINE                | TRANSMISSION                 |
| H = Sport   | J = Wrangler 4WD       | 77 = 93.4 WB | ED1, ED0 = 2.4L DOHC  | DGG, DGD = 32RH 3 Spd. Auto. |
| L = SE      | U = Wrangler 4WD (RHD) |              | ERH = 4.0L Power Tech | DDD = 5 Speed HD Manual      |
| M = X       |                        |              |                       | DG0 = Auto. Trans.           |
| P = Sahara  |                        |              |                       | DBB = Manual Trans.          |
| S = Rubicon |                        |              |                       | DDK = 5 Speed Manual         |

AR = Use as required - = Non illustrated part # = New this model year

August 27, 2004

**Axle Assembly,Front,4 Wheel Drive  
Figure 002-410**



| ITEM | PART NUMBER | QTY | LINE | SERIES | BODY | ENGINE | TRANS | TRIM | DESCRIPTION |
|------|-------------|-----|------|--------|------|--------|-------|------|-------------|
|------|-------------|-----|------|--------|------|--------|-------|------|-------------|

Note: Sales Codes;  
 [DJC]=Axle,Front,Heavy Duty Dana M44/216MM  
 [DME]=Axle Ratio - 3.73  
 [DMF]=Axle Ratio - 4.10  
 [DMM]=Axle Ratio - 3.07  
 [DMU]=Axle Ratio - 4.56  
 [DSE]=Axle - Trulok Differential

|   |            |   |   |  |    |  |  |  |  |
|---|------------|---|---|--|----|--|--|--|--|
| 1 |            |   |   |  |    |  |  |  | AXLE, Service Front                      |
|   | 4864 852AB | 1 | J |  |    |  |  |  | [DMM] With Tag 52099198AE,<br>52099227AF |
|   | 4864 841AC | 1 | J |  |    |  |  |  | [DME] With Tag 52099200AE,<br>52111033AF |
|   | 5083 662AC | 1 | J |  |    |  |  |  | [DMF,DJC,DSE] With Tag<br>52104434AE     |
|   | 5086 618AA | 1 | J |  |    |  |  |  | [DMU] With Tag 52104675AB                |
|   | 4882 155AB | 1 | U |  | 77 |  |  |  | [DMM] With Tag 52099454AF,<br>52114187AA |
|   | 4882 337AB | 1 | U |  | 77 |  |  |  | [DME] With Tag 52099450AF,<br>52114188AA |

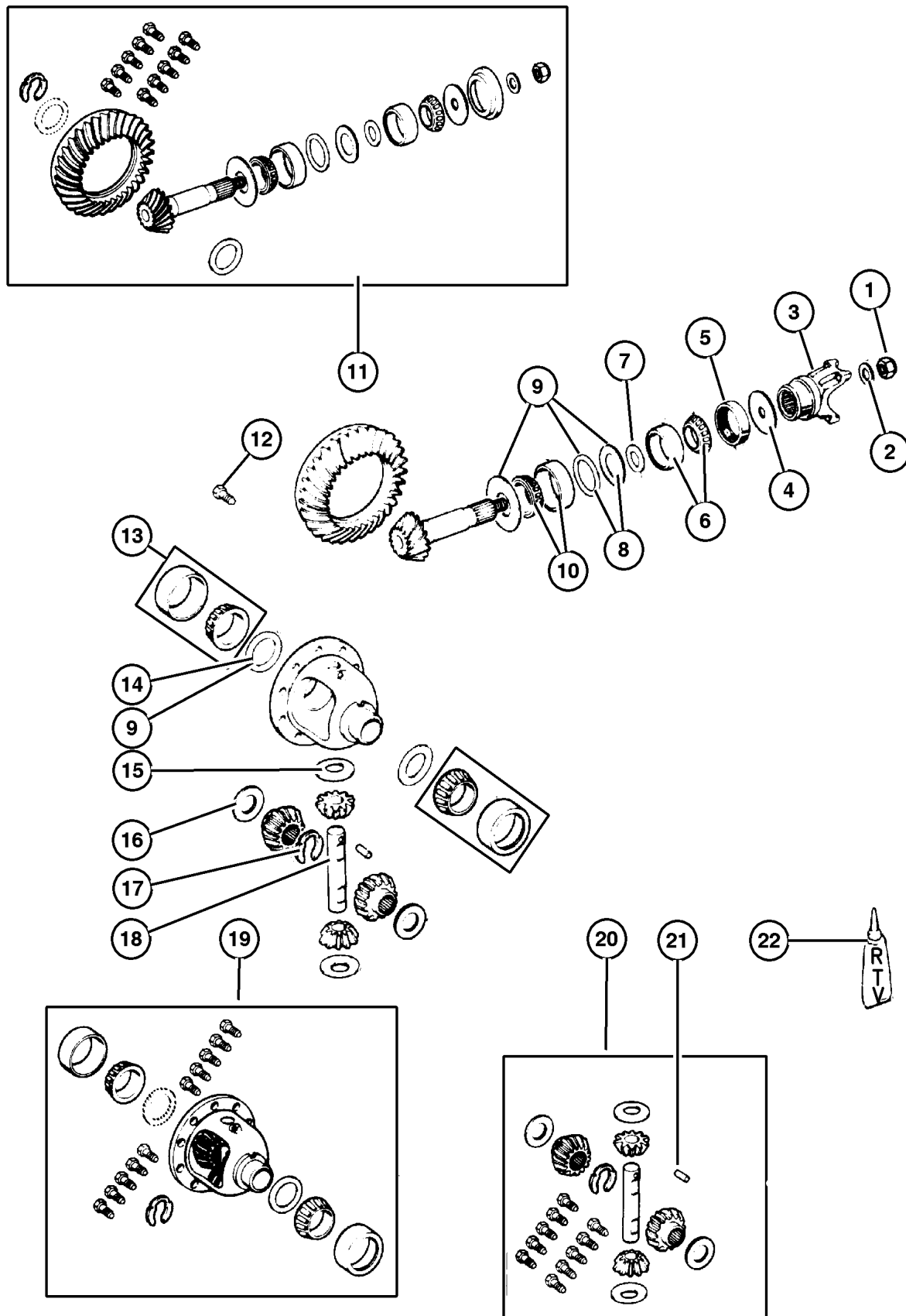
**JEEP WRANGLER (TJ)**

|             |                        |              |                       |                                 |
|-------------|------------------------|--------------|-----------------------|---------------------------------|
| SERIES      | LINE                   | BODY         | ENGINE                | TRANSMISSION                    |
| H = Sport   | J = Wrangler 4WD       | 77 = 93.4 WB | ED1, ED0 = 2.4L DOHC  | DGG, DGD = 32RH 3 Spd.<br>Auto. |
| L = SE      | U = Wrangler 4WD (RHD) |              | ERH = 4.0L Power Tech | DDD = 5 Speed HD Manual         |
| M = X       |                        |              |                       | DG0 = Auto. Trans.              |
| P = Sahara  |                        |              |                       | DBB = Manual Trans.             |
| S = Rubicon |                        |              |                       | DDK = 5 Speed Manual            |

AR = Use as required - = Non illustrated part # = New this model year

August 27, 2004

**Differential,Front Axle,Without [DSE]  
Figure 002-610**



| ITEM                             | PART NUMBER | QTY | LINE | SERIES | BODY | ENGINE | TRANS | TRIM | DESCRIPTION                      |
|----------------------------------|-------------|-----|------|--------|------|--------|-------|------|----------------------------------|
| Note: Sales Codes;               |             |     |      |        |      |        |       |      |                                  |
| [DME]=Axle Ratio - 3.73          |             |     |      |        |      |        |       |      |                                  |
| [DMF]=Axle Ratio - 4.10          |             |     |      |        |      |        |       |      |                                  |
| [DMM]=Axle Ratio - 3.07          |             |     |      |        |      |        |       |      |                                  |
| [DMU]=Axle Ratio - 4.56          |             |     |      |        |      |        |       |      |                                  |
| [DSE]=Axle - Trulok Differential |             |     |      |        |      |        |       |      |                                  |
| 1                                |             |     |      |        |      |        |       |      | NUT, Pinion Yoke                 |
|                                  | 1791 575    | 1   | J    |        |      |        |       |      | [DME,DMF,DMU]                    |
|                                  | 5017 755AA  | 1   | J    |        |      |        |       |      | [DMM]                            |
|                                  | 1791 575    | 1   | U    |        | 77   |        |       |      | [DME]                            |
|                                  | 5017 755AA  | 1   | U    |        | 77   |        |       |      | [DMM]                            |
| 2                                |             |     |      |        |      |        |       |      | WASHER, Pinion Yoke              |
|                                  | 1791 576    | 1   | J    |        |      |        |       |      | [DME,DMF,DMU]                    |
|                                  |             | 1   | U    |        | 77   |        |       |      | [DME]                            |
| 3                                | 8350 3388   | 1   | J    |        |      |        |       |      | YOKE, Axle                       |
| 4                                |             |     |      |        |      |        |       |      | SLINGER, Drive Pinion            |
|                                  | 4031 974    | 1   | J    |        |      |        |       |      |                                  |
|                                  |             | 1   | U    |        | 77   |        |       |      |                                  |
| 5                                | 5072 473AA  | 1   | J    |        |      |        |       |      | SEAL, Drive Pinion               |
| 6                                |             |     |      |        |      |        |       |      | BEARING, Drive Pinion            |
|                                  | 5252 508    | 1   | J    |        |      |        |       |      | Bearing and Cup, Front           |
|                                  |             | 1   | U    |        | 77   |        |       |      | Bearing and Cup, Front           |
| 7                                | 4864 845AB  | 1   | J    |        |      |        |       |      | SPACER, Crush                    |
| 8                                |             |     |      |        |      |        |       |      | SHIM, Drive Pinion Bearing       |
|                                  | 5017 139AA  | 1   | J    |        |      |        |       |      | [.052']                          |
|                                  | 5017 140AA  | 1   | J    |        |      |        |       |      | [.053']                          |
|                                  | 5017 141AA  | 1   | J    |        |      |        |       |      | [.054']                          |
|                                  | 5017 142AA  | 1   | J    |        |      |        |       |      | [.055']                          |
|                                  | 5017 143AA  | 1   | J    |        |      |        |       |      | [.056']                          |
|                                  | 5017 144AA  | 1   | J    |        |      |        |       |      | [.057']                          |
|                                  | 5017 145AA  | 1   | J    |        |      |        |       |      | [.058']                          |
|                                  | 5017 146AA  | 1   | J    |        |      |        |       |      | [.059']                          |
|                                  | 5017 149AA  | 1   | J    |        |      |        |       |      | [.060']                          |
|                                  | 5017 150AA  | 1   | J    |        |      |        |       |      | [.061']                          |
|                                  | 5017 151AA  | 1   | J    |        |      |        |       |      | [.062']                          |
|                                  | 5017 152AA  | 1   | J    |        |      |        |       |      | [.063']                          |
|                                  | 5017 153AA  | 1   | J    |        |      |        |       |      | [.064']                          |
|                                  | 5017 154AA  | 1   | J    |        |      |        |       |      | [.065']                          |
|                                  | 5017 155AA  | 1   | J    |        |      |        |       |      | [.066']                          |
|                                  | 5017 156AA  | 1   | J    |        |      |        |       |      | [.067']                          |
| 9                                | 5017 134AA  | 1   | J    |        |      |        |       |      | SHIM KIT, Differential, Contains |
|                                  |             |     |      |        |      |        |       |      | Items 8,14                       |

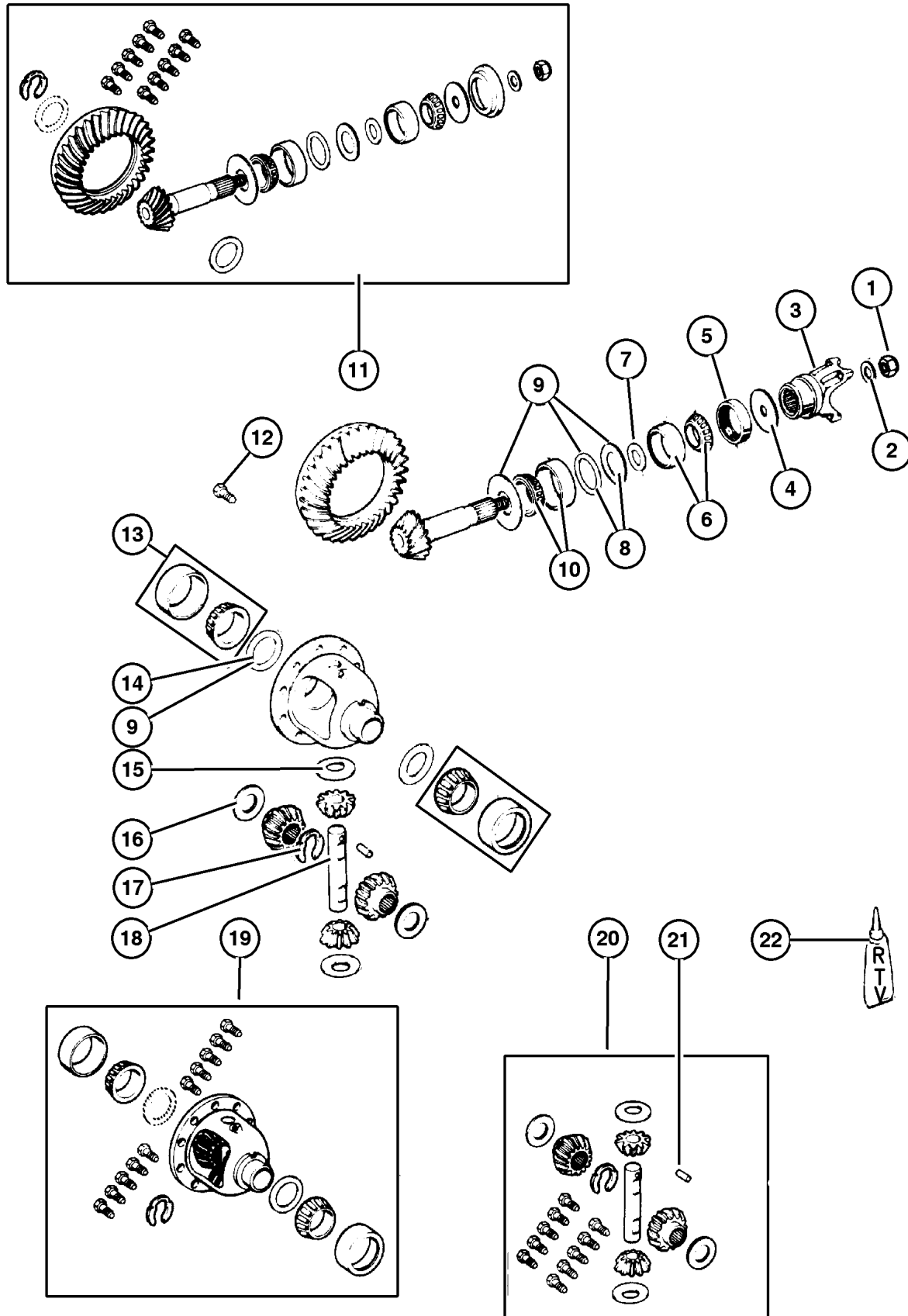
**JEEP WRANGLER (TJ)**

|             |                        |              |                       |                         |
|-------------|------------------------|--------------|-----------------------|-------------------------|
| SERIES      | LINE                   | BODY         | ENGINE                | TRANSMISSION            |
| H = Sport   | J = Wrangler 4WD       | 77 = 93.4 WB | ED1, ED0 = 2.4L DOHC  | DGG, DGD = 32RH 3 Spd.  |
| L = SE      | U = Wrangler 4WD (RHD) |              | ERH = 4.0L Power Tech | Auto.                   |
| M = X       |                        |              |                       | DDD = 5 Speed HD Manual |
| P = Sahara  |                        |              |                       | DG0 = Auto. Trans.      |
| S = Rubicon |                        |              |                       | DBB = Manual Trans.     |
|             |                        |              |                       | DDK = 5 Speed Manual    |

AR = Use as required - = Non illustrated part # = New this model year

August 27, 2004

**Differential,Front Axle,Without [DSE]  
Figure 002-610**



| ITEM | PART NUMBER | QTY | LINE | SERIES | BODY | ENGINE | TRANS | TRIM | DESCRIPTION                                  |
|------|-------------|-----|------|--------|------|--------|-------|------|--|
| 10   | J812 6499   | 1   | J    |        |      |        |       |      | BEARING, Drive Pinion, Bearing and Cup, Rear |
| 11   | 5072 997AB  | 1   | J    |        |      |        |       |      | GEAR KIT, Ring And Pinion [DMM]              |
|      | 5073 246AA  | 1   | J    |        |      |        |       |      | [DME]  |
| 12   | 5252 503    | 10  | J    |        |      |        |       |      | SCREW, Drive Gear                            |
| 13   | J812 6500   | 1   | J    |        |      |        |       |      | BEARING, Differential                        |
|      |             | 1   | U    |        |      | 77     |       |      | Consist of 2 Bearings and 2 Cups             |
| 14   |             |     |      |        |      |        |       |      | Consist of 2 Bearings and 2 Cups             |
|      | 5017 218AA  | 1   | J    |        |      |        |       |      | SHIM, Differential Bearing [.109']           |
|      | 5017 219AA  | 1   | J    |        |      |        |       |      | [.110']                                      |
|      | 5017 220AA  | 1   | J    |        |      |        |       |      | [.111']                                      |
|      | 5017 221AA  | 1   | J    |        |      |        |       |      | [.112']                                      |
|      | 5017 222AA  | 1   | J    |        |      |        |       |      | [.113']                                      |
|      | 5017 223AA  | 1   | J    |        |      |        |       |      | [.114']                                      |
|      | 5017 224AA  | 1   | J    |        |      |        |       |      | [.115']                                      |
|      | 5017 225AA  | 1   | J    |        |      |        |       |      | [.116']                                      |
|      | 5017 226AA  | 1   | J    |        |      |        |       |      | [.117']                                      |
|      | 5017 227AA  | 1   | J    |        |      |        |       |      | [.118']                                      |
|      | 5017 228AA  | 1   | J    |        |      |        |       |      | [.119']                                      |
|      | 5017 229AA  | 1   | J    |        |      |        |       |      | [.120']                                      |
|      | 5017 230AA  | 1   | J    |        |      |        |       |      | [.121']                                      |
|      | 5017 231AA  | 1   | J    |        |      |        |       |      | [.122']                                      |
|      | 5017 232AA  | 1   | J    |        |      |        |       |      | [.123']                                      |
|      | 5017 233AA  | 1   | J    |        |      |        |       |      | [.124']                                      |
|      | 5017 234AA  | 1   | J    |        |      |        |       |      | [.125']                                      |
|      | 5017 235AA  | 1   | J    |        |      |        |       |      | [.126']                                      |
|      | 5017 236AA  | 1   | J    |        |      |        |       |      | [.127']                                      |
|      | 5017 237AA  | 1   | J    |        |      |        |       |      | [.128']                                      |
|      | 5017 238AA  | 1   | J    |        |      |        |       |      | [.129']                                      |
|      | 5017 239AA  | 1   | J    |        |      |        |       |      | [.130']                                      |
|      | 5017 240AA  | 1   | J    |        |      |        |       |      | [.131']                                      |
|      | 5017 241AA  | 1   | J    |        |      |        |       |      | [.132']                                      |
|      | 5017 242AA  | 1   | J    |        |      |        |       |      | [.133']                                      |
|      | 5017 243AA  | 1   | J    |        |      |        |       |      | [.134']                                      |
|      | 5017 244AA  | 1   | J    |        |      |        |       |      | [.135']                                      |
|      | 5017 245AA  | 1   | J    |        |      |        |       |      | [.136']                                      |
|      | 5017 246AA  | 1   | J    |        |      |        |       |      | [.137']                                      |
|      | 5017 247AA  | 1   | J    |        |      |        |       |      | [.138']                                      |
|      | 5017 248AA  | 1   | J    |        |      |        |       |      | [.139']                                      |

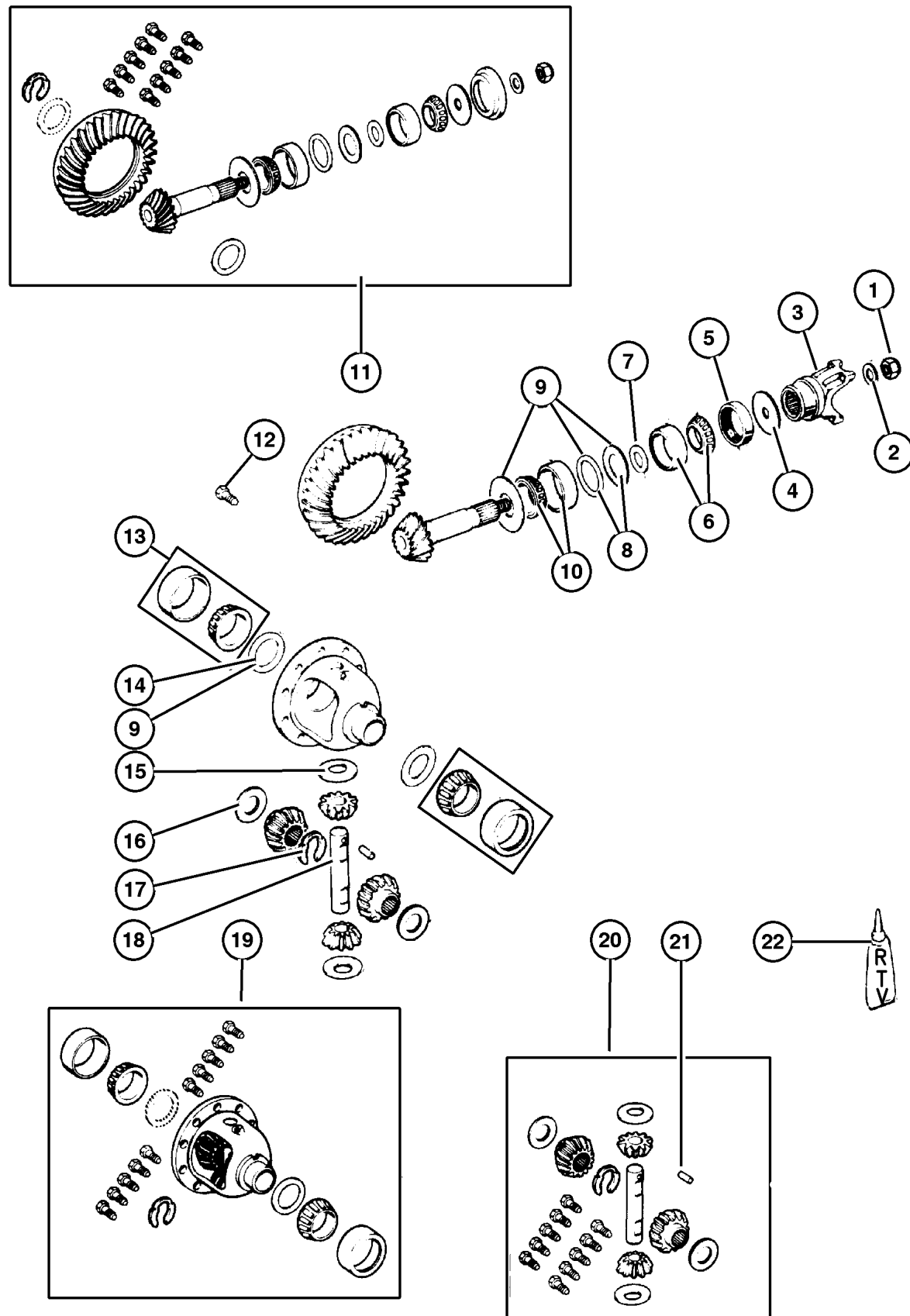
**JEEP WRANGLER (TJ)**

|             |                        |              |                       |                              |
|-------------|------------------------|--------------|-----------------------|------------------------------|
| SERIES      | LINE                   | BODY         | ENGINE                | TRANSMISSION                 |
| H = Sport   | J = Wrangler 4WD       | 77 = 93.4 WB | ED1, ED0 = 2.4L DOHC  | DGG, DGD = 32RH 3 Spd. Auto. |
| L = SE      | U = Wrangler 4WD (RHD) |              | ERH = 4.0L Power Tech | DDD = 5 Speed HD Manual      |
| M = X       |                        |              |                       | DG0 = Auto. Trans.           |
| P = Sahara  |                        |              |                       | DBB = Manual Trans.          |
| S = Rubicon |                        |              |                       | DDK = 5 Speed Manual         |

AR = Use as required - = Non illustrated part # = New this model year

August 27, 2004

Differential,Front Axle,Without [DSE]  
Figure 002-610



| ITEM | PART NUMBER | QTY | LINE | SERIES | BODY | ENGINE | TRANS | TRIM | DESCRIPTION                   |
|------|-------------|-----|------|--------|------|--------|-------|------|-------------------------------|
|      | 5017 249AA  | 1   | J    |        |      |        |       |      | [.140']                       |
|      | 5017 250AA  | 1   | J    |        |      |        |       |      | [.141']                       |
|      | 5017 251AA  | 1   | J    |        |      |        |       |      | [.142']                       |
|      | 5017 252AA  | 1   | J    |        |      |        |       |      | [.143']                       |
|      | 5017 253AA  | 1   | J    |        |      |        |       |      | [.144']                       |
|      | 5017 254AA  | 1   | J    |        |      |        |       |      | [.145']                       |
|      | 5017 255AA  | 1   | J    |        |      |        |       |      | [.146']                       |
|      | 5017 256AA  | 1   | J    |        |      |        |       |      | [.147']                       |
|      | 5017 257AA  | 1   | J    |        |      |        |       |      | [.148']                       |
| 15   | J812 0831   | 1   | J    |        |      |        |       |      | WASHER, Pinion Gear Thrust    |
|      |             | 1   | U    |        | 77   |        |       |      | Thrust                        |
| 16   | J813 3724   | 2   | J    |        |      |        |       |      | WASHER, Side Gear, Thrust     |
| 17   | 4137 739    | 2   | J    |        |      |        |       |      | SNAP RING, Front Axle Shaft   |
| 18   | 5003 840AA  | 1   | J    |        |      |        |       |      | SHAFT, Differential           |
| 19   |             |     |      |        |      |        |       |      | CASE, Differential            |
|      | 5252 582    | 1   | J    |        |      |        |       |      | [DMM]                         |
|      | 5252 590    | 1   | J    |        |      |        |       |      | [DME,DMF,DMU]                 |
| 20   | 5252 591    | 1   | J    |        |      |        |       |      | GEAR KIT, Center Differential |
| 21   |             |     |      |        |      |        |       |      | PIN, Differential Shaft       |
|      | 1791 563    | 1   | J    |        |      |        |       |      |                               |
|      |             | 1   | U    |        | 77   |        |       |      |                               |
| 22   | 5010 884AA  | 1   | J    |        |      |        |       |      | SEALANT, RTV                  |
|      |             | 1   | U    |        | 77   |        |       |      |                               |

JEEP WRANGLER (TJ)

SERIES  
H = Sport  
L = SE  
M = X  
P = Sahara  
S = Rubicon

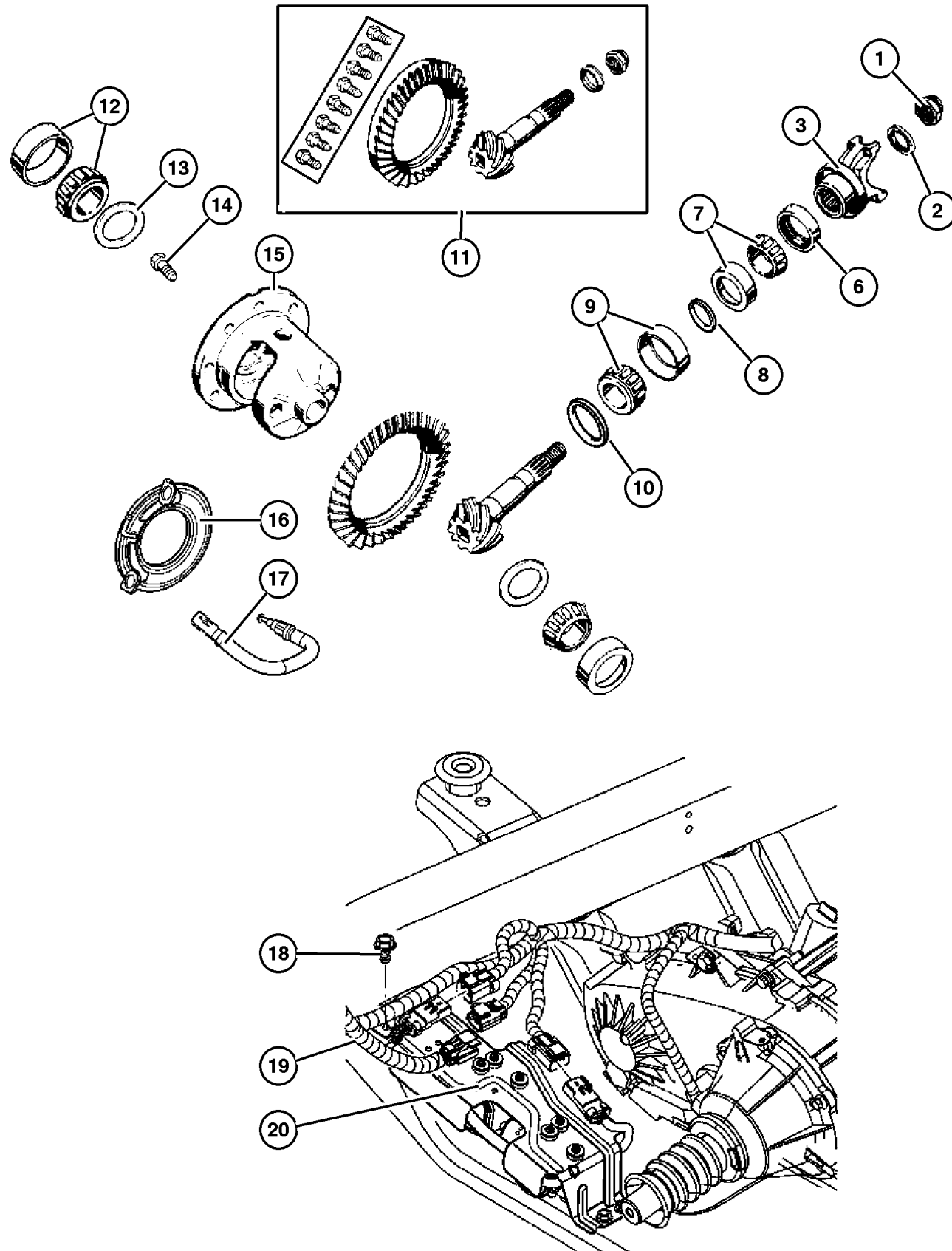
LINE  
J = Wrangler 4WD  
U = Wrangler 4WD (RHD)

BODY  
77 = 93.4 WB

ENGINE  
ED1, ED0 = 2.4L DOHC  
ERH = 4.0L Power Tech

TRANSMISSION  
DGG, DGD = 32RH 3 Spd. Auto.  
DDD = 5 Speed HD Manual  
DGO = Auto. Trans.  
DBB = Manual Trans.  
DDK = 5 Speed Manual

**Differential,Front Axle,With [DSE]  
Figure 002-620**



| ITEM                             | PART NUMBER | QTY | LINE | SERIES | BODY | ENGINE | TRANS | TRIM | DESCRIPTION  |
|----------------------------------|-------------|-----|------|--------|------|--------|-------|------|--|
| Note:Sales Codes;                |             |     |      |        |      |        |       |      |  |
| [DMF]=Axle Ratio - 4.11          |             |     |      |        |      |        |       |      |  |
| [DSE]=Axle - Trulok Differential |             |     |      |        |      |        |       |      |  |
| 1                                | 5017 755AA  | 1   | J    |        |      |        |       |      | NUT, Pinion Yoke                                       |
| 2                                |             |     |      |        |      |        |       |      | WASHER, Pinion Yoke, (NOT REQUIRED)                    |
| 3                                | 4797 689    | 1   | J    |        |      |        |       |      | YOKE, Axle   |
| -4                               | 5012 453AA  | 1   | J    |        |      |        |       |      | O RING, Pinion Flange, Fits on hub of axle yoke        |
| -5                               | 4031 974    | 1   | J    |        |      |        |       |      | SLINGER, Drive Pinion                                  |
| 6                                | 5066 446AA  | 1   | J    |        |      |        |       |      | SEAL, Drive Pinion, Preload                            |
| 7                                | J812 4052   | 1   | J    |        |      |        |       |      | BEARING, Drive Pinion, Bearing and Cup, Front          |
| 8                                | 5014 907AA  | 1   | J    |        |      |        |       |      | SHIM KIT, Pinion Shaft, Preload                        |
| 9                                | 5014 847AA  | 1   | J    |        |      |        |       |      | BEARING, Drive Pinion, Bearing and cup                 |
| 10                               |             |     |      |        |      |        |       |      | SHIM, Drive Pinion Bearing                             |
|                                  | 5017 139AA  | 1   | J    |        |      |        |       |      | [.052'] Positioning                                    |
|                                  | 5017 140AA  | 1   | J    |        |      |        |       |      | [.053'] Positioning                                    |
|                                  | 5017 141AA  | 1   | J    |        |      |        |       |      | [.054'] Positioning                                    |
|                                  | 5017 142AA  | 1   | J    |        |      |        |       |      | [.055'] Positioning                                    |
|                                  | 5017 143AA  | 1   | J    |        |      |        |       |      | [.056'] Positioning                                    |
|                                  | 5017 144AA  | 1   | J    |        |      |        |       |      | [.057'] Positioning                                    |
|                                  | 5017 145AA  | 1   | J    |        |      |        |       |      | [.058'] Positioning                                    |
|                                  | 5017 146AA  | 1   | J    |        |      |        |       |      | [.059'] Positioning                                    |
|                                  | 5017 149AA  | 1   | J    |        |      |        |       |      | [.060'] Positioning                                    |
|                                  | 5017 150AA  | 1   | J    |        |      |        |       |      | [.061'] Positioning                                    |
|                                  | 5017 151AA  | 1   | J    |        |      |        |       |      | [.062'] Positioning                                    |
|                                  | 5017 152AA  | 1   | J    |        |      |        |       |      | [.063'] Positioning                                    |
|                                  | 5017 153AA  | 1   | J    |        |      |        |       |      | [.064'] Positioning                                    |
|                                  | 5017 154AA  | 1   | J    |        |      |        |       |      | [.065'] Positioning                                    |
|                                  | 5017 155AA  | 1   | J    |        |      |        |       |      | [.066'] Positioning                                    |
|                                  | 5017 156AA  | 1   | J    |        |      |        |       |      | [.067'] Positioning                                    |
| 11                               | 5127 180AA  | 1   | J    |        |      |        |       |      | GEAR KIT, Ring And Pinion, [DMF]                       |
| 12                               | 4746 733    | 1   | J    |        |      |        |       |      | BEARING, Differential, Consists of 2 bearing and 2 Cup |
| 13                               | 5093 047AA  | 1   | J    |        |      |        |       |      | SHIM KIT, Differential                                 |
| 14                               | 5252 503    | 1   | J    |        |      |        |       |      | SCREW, Drive Gear, Mounting                            |
| 15                               | 52104 571AA | 1   | J    |        |      |        |       |      | CASE, Differential, With Internal Parts                |
| 16                               | 52104 611AA | 1   | J    |        |      |        |       |      | ACTUATOR, Axle Locker                                  |

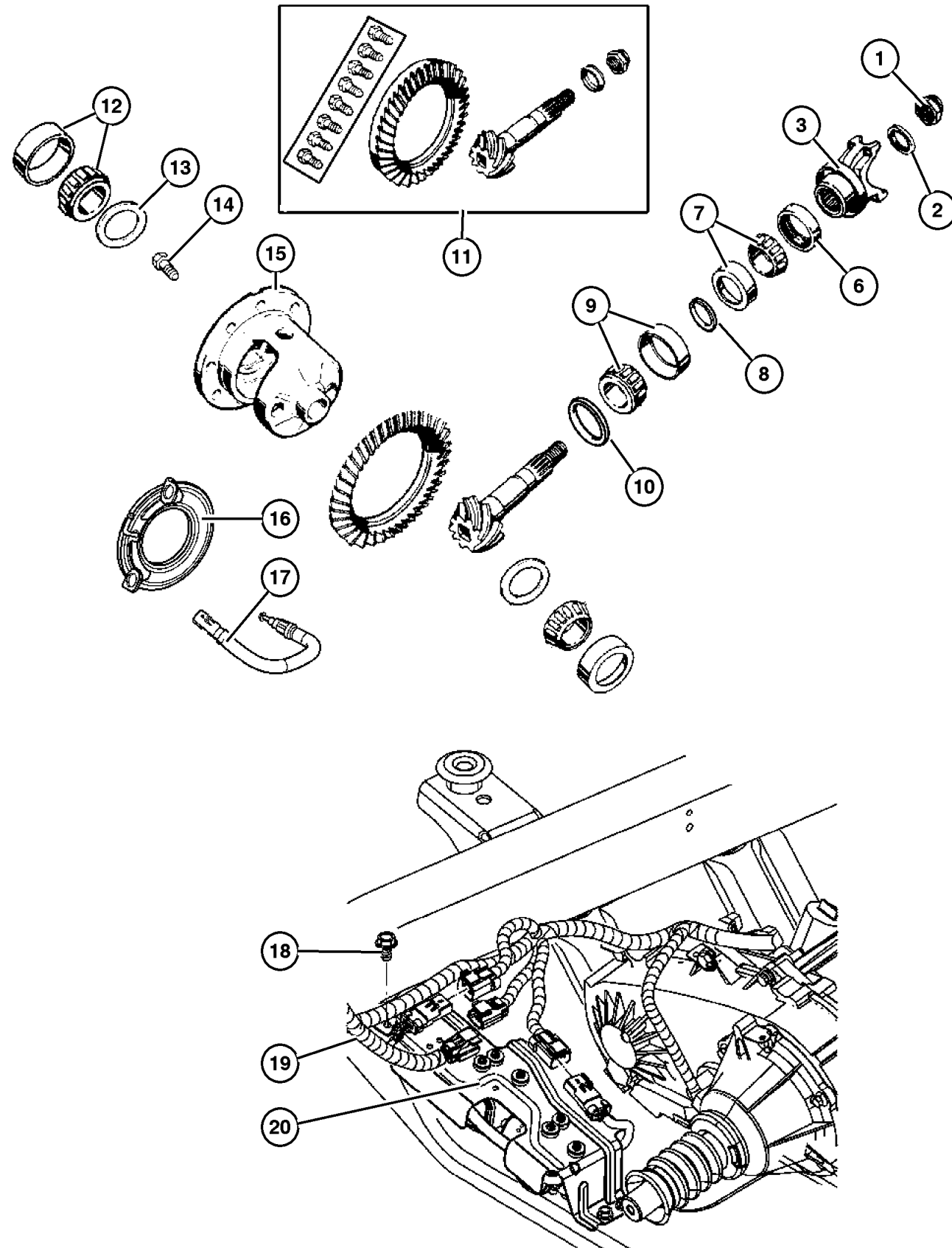
**JEEP WRANGLER (TJ)**

|               |                        |              |                       |                              |
|---------------|------------------------|--------------|-----------------------|------------------------------|
| <b>SERIES</b> | <b>LINE</b>            | <b>BODY</b>  | <b>ENGINE</b>         | <b>TRANSMISSION</b>          |
| H = Sport     | J = Wrangler 4WD       | 77 = 93.4 WB | ED1, ED0 = 2.4L DOHC  | DGG, DGD = 32RH 3 Spd. Auto. |
| L = SE        | U = Wrangler 4WD (RHD) |              | ERH = 4.0L Power Tech | DDD = 5 Speed HD Manual      |
| M = X         |                        |              |                       | DG0 = Auto. Trans.           |
| P = Sahara    |                        |              |                       | DBB = Manual Trans.          |
| S = Rubicon   |                        |              |                       | DDK = 5 Speed Manual         |

AR = Use as required - = Non illustrated part # = New this model year

August 27, 2004

Differential,Front Axle,With [DSE]  
Figure 002-620



| ITEM | PART NUMBER | QTY | LINE | SERIES | BODY | ENGINE | TRANS | TRIM | DESCRIPTION  |
|------|-------------|-----|------|--------|------|--------|-------|------|--|
| 17   | 52104 610AA | 1   | J    |        |      |        |       |      | SENSOR, Axle Locker  |
| 18   | 6505 914AA  | 4   | J    |        |      |        |       |      | BOLT, Axle Locker Pump, Mounting                                   |
| 19   | 52104 603AB | 1   | J    |        |      |        |       |      | HARNESS, Electronic Front Axle                                     |
| 20   | 52104 604AB | 1   | J    |        |      |        |       |      | PUMP MODULE, Axle Locker,<br>Contains Front and Rear Axle<br>Pumps |
| -21  | 5127 836AA  | 2   | J    |        |      |        |       |      | PUMP, Axle Locker, Pump only,<br>Front or Rear                     |
| -22  | J323 2982   | 1   | J    |        |      |        |       |      | TEE, Vacuum  |
| -23  | HFV00 014AB | 1   | J    |        |      |        |       |      | HOSE 1FT, Fuel & Vapor, 1/4"                                       |

JEEP WRANGLER (TJ)

|             |                        |              |                       |                                 |
|-------------|------------------------|--------------|-----------------------|---------------------------------|
| SERIES      | LINE                   | BODY         | ENGINE                | TRANSMISSION                    |
| H = Sport   | J = Wrangler 4WD       | 77 = 93.4 WB | ED1, ED0 = 2.4L DOHC  | DGG, DGD = 32RH 3 Spd.<br>Auto. |
| L = SE      | U = Wrangler 4WD (RHD) |              | ERH = 4.0L Power Tech | DDD = 5 Speed HD Manual         |
| M = X       |                        |              |                       | DG0 = Auto. Trans.              |
| P = Sahara  |                        |              |                       | DBB = Manual Trans.             |
| S = Rubicon |                        |              |                       | DDK = 5 Speed Manual            |

AR = Use as required - = Non illustrated part # = New this model year

August 27, 2004

# Group – 003

## Rear Axle

### GROUP 3 - Rear Axle

Illustration Title

Group-Fig. No.

#### Rear Axle

Axle Assembly, Rear ..... Fig. 003-110

#### Differential and Housing

Housing,Rear Axle,Dana M35/194MM [DRJ] ..... Fig. 003-210

Housing,Rear Axle,Dana 44/226MM [DRK] ..... Fig. 003-220

Differential,With and Without Trac-Lok [DSA] Dana M35/194MM [DRJ] ..... Fig. 003-230

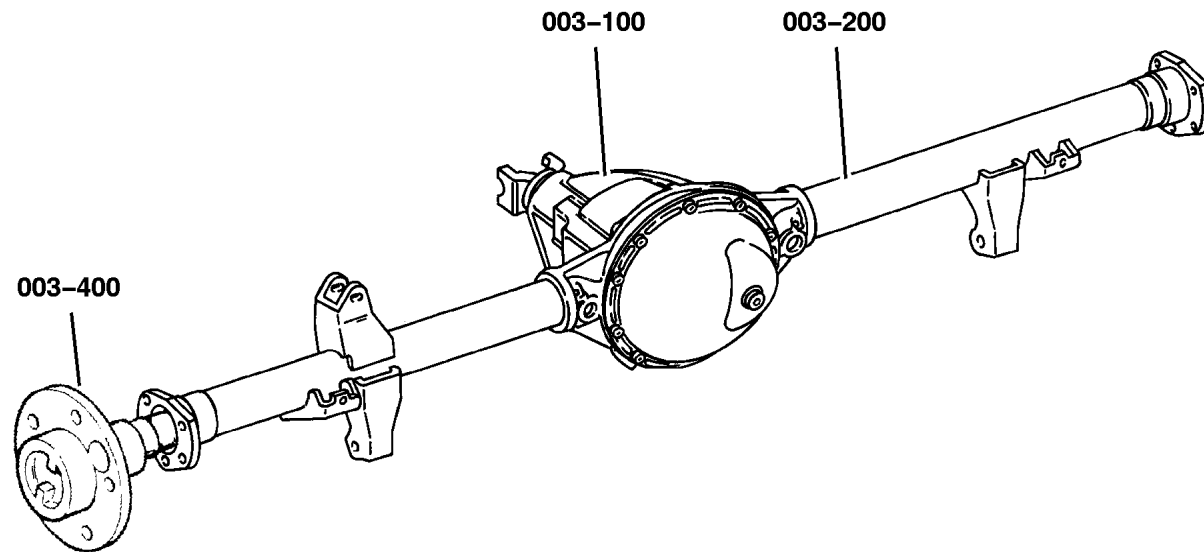
Differential,With and Without Trac-Lok [DSA] Dana 44/226MM [DRK] ..... Fig. 003-240

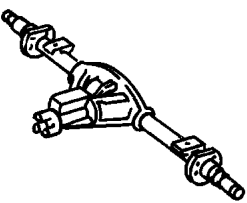
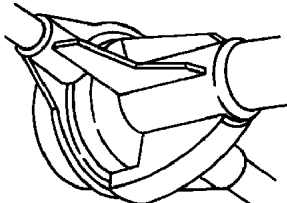
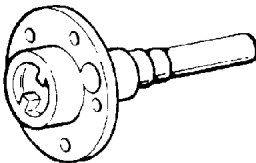
Differential,With Trulok Differential [DSE] Dana 44/226MM [DRK] ..... Fig. 003-250

#### Rear Axle Shafts

Shaft,Rear Axle,Dana 35/194MM [DRJ] ..... Fig. 003-410

Shaft,Rear Axle,Dana 44/226MM [DRK] ..... Fig. 003-420



|   |  |   |  |
|---|--|---|--|
| <p><b>003-100</b><br/>Rear Axle</p>  | <p><b>003-200</b><br/>Differential and Housing</p>  | <p><b>003-400</b><br/>Rear Axle Shafts</p>  |  |
|---|--|---|--|

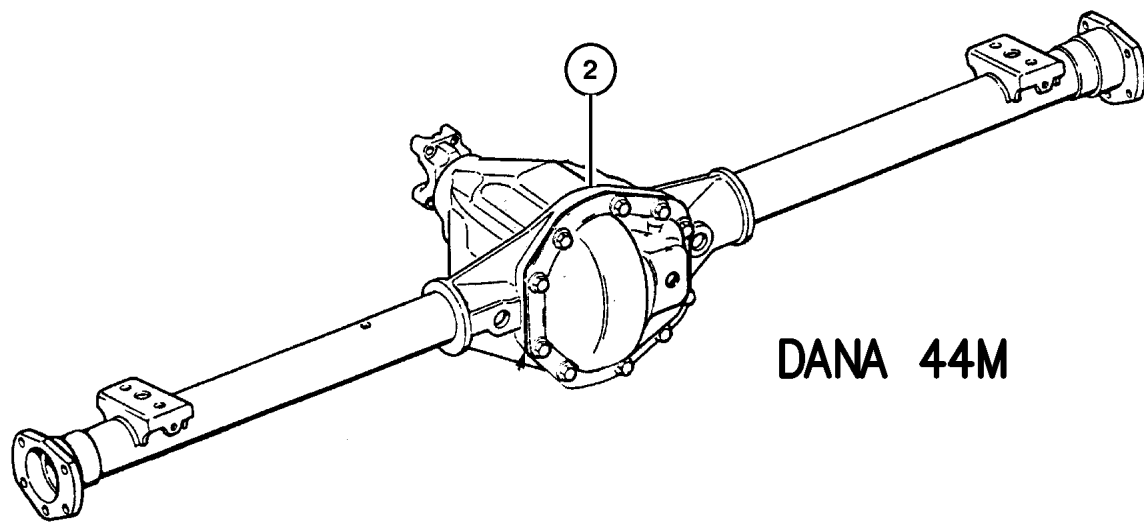
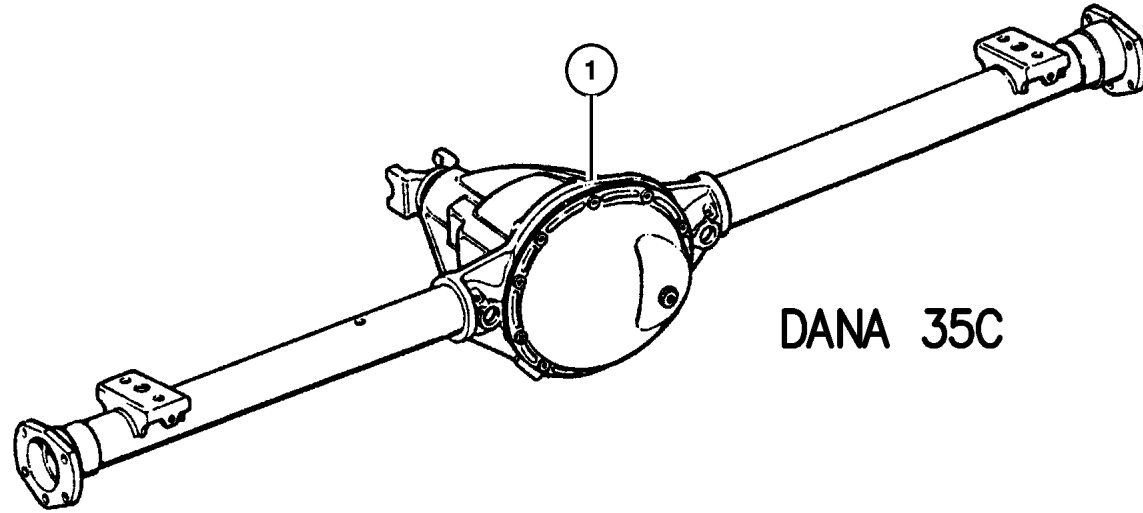


**Axle Assembly, Rear**  
**Figure 003-110**

| ITEM | PART NUMBER | QTY | LINE | SERIES | BODY | ENGINE | TRANS | TRIM | DESCRIPTION |
|------|-------------|-----|------|--------|------|--------|-------|------|-------------|
|------|-------------|-----|------|--------|------|--------|-------|------|-------------|

Note:Sales Codes;  
 [BGA]=Brakes - Power Front Disc/Rear Drum  
 [BGK]=Brakes - 4-Wheel Anti-Lock  
 [BRW]=Brakes - 4-Wheel Disc  
 [DME]=Axle Ratio - 3.73  
 [DMF]=Axle Ratio - 4.11  
 [DMM]=Axle Ratio - 3.07  
 [DMU]=Axle Ratio - 4.56  
 [DRJ]=Axle - Rear,Dana M35/194MM  
 [DRK]=Axle - Rear,Dana 44/226MM  
 [DSA]=Axle - Trac-Lok Differential  
 [DSE]=Axle - Trulok Differential

|   |            |   |   |  |    |  |  |  |                              |
|---|------------|---|---|--|----|--|--|--|------------------------------|
| 1 |            |   |   |  |    |  |  |  | AXLE, Service Rear           |
|   | 5086 642AA | 1 | J |  | 77 |  |  |  | [DME,BGA] Tag 52111763AF     |
|   | 5086 637AA | 1 | J |  | 77 |  |  |  | [DME,BGA,DSA] Tag 52111929AF |
|   | 5086 649AA | 1 | J |  | 77 |  |  |  | [DMM,BGA] Tag 52111760AF     |
|   | 5086 648AA | 1 | J |  | 77 |  |  |  | [DMM,BGA,DSA] Tag 52111764AF |
|   | 5086 623AB | 1 | J |  | 77 |  |  |  | [DMU,BGA] Tag 52104676AC     |
| 2 |            |   |   |  |    |  |  |  | AXLE, Service Rear           |
|   | 5086 636AC | 1 | J |  | 77 |  |  |  | [DME,BGA] Tag 52104454AG     |
|   | 5083 680AD | 1 | J |  | 77 |  |  |  | [DME,BRW,DSA] Tag 52114045AC |
|   | 5083 674AB | 1 | J |  | 77 |  |  |  | [DMF,BRW,DSE]Tag 52104435AF  |
|   | 5086 630AC | 1 | U |  | 77 |  |  |  | [DMM,BGA,DSA] Tag 52111750AI |
|   | 5086 634AC | 1 | U |  | 77 |  |  |  | [DME,BGA,DSA] Tag 51111750AI |

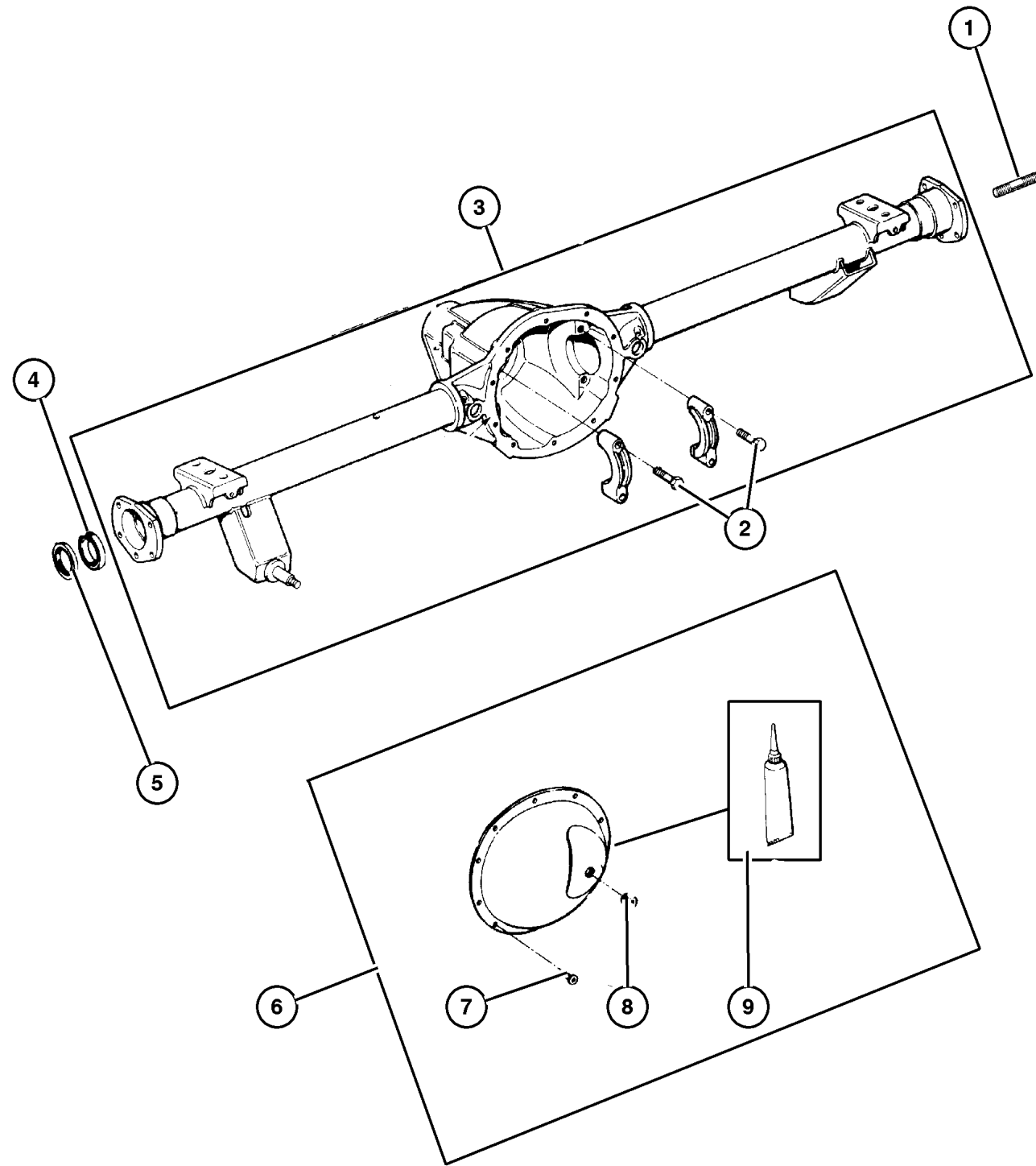


| JEEP WRANGLER (TJ) |                        | SERIES       | LINE | BODY                  | ENGINE                       | TRANSMISSION |
|--------------------|------------------------|--------------|------|-----------------------|------------------------------|--------------|
| H = Sport          | J = Wrangler 4WD       | 77 = 93.4 WB |      | ED1, ED0 = 2.4L DOHC  | DGG, DGD = 32RH 3 Spd. Auto. |              |
| L = SE             | U = Wrangler 4WD (RHD) |              |      | ERH = 4.0L Power Tech | DDD = 5 Speed HD Manual      |              |
| M = X              |                        |              |      |                       | DG0 = Auto. Trans.           |              |
| P = Sahara         |                        |              |      |                       | DBB = Manual Trans.          |              |
| S = Rubicon        |                        |              |      |                       | DDK = 5 Speed Manual         |              |

AR = Use as required - = Non illustrated part # = New this model year

August 27, 2004

Housing,Rear Axle,Dana M35/194MM [DRJ]  
Figure 003-210



| ITEM                             | PART NUMBER | QTY | LINE | SERIES | BODY | ENGINE | TRANS | TRIM | DESCRIPTION  |
|----------------------------------|-------------|-----|------|--------|------|--------|-------|------|--|
| Note:Sales Codes;                |             |     |      |        |      |        |       |      |  |
| [DRJ]=Axle - Rear,Dana M35/194MM |             |     |      |        |      |        |       |      |  |
| 1                                | 4897 234AA  | 8   | J    |        | 77   |        |       |      | STUD, Backing Plate to Axle Housing, Mounting              |
| 2                                | 4897 482AB  | 4   | J    |        | 77   |        |       |      | BOLT, Differential, Carrier Cap, Mounting                  |
| 3                                | 5086 638AA  | 1   | J    |        | 77   |        |       |      | HOUSING, Axle  |
| 4                                | J8134 586AB | 1   | J    |        | 77   |        |       |      | BEARING, Axle Shaft  |
| 5                                | 4856 336    | 2   | J    |        | 77   |        |       |      | SEAL, Axle Drive Shaft                                     |
| 6                                | 5012 811AA  | 1   | J    |        | 77   |        |       |      | COVER, Differential  |
| 7                                | J400 6708   | 10  | J    |        | 77   |        |       |      | SCREW, Pan Head, .312-18x.56, Differential Cover, Mounting |
| 8                                | 5252 504AB  | 1   | J    |        | 77   |        |       |      | PLUG, Differential Cover                                   |
| 9                                | 5010 884AA  | 1   | J    |        | 77   |        |       |      | SEALANT, RTV   |

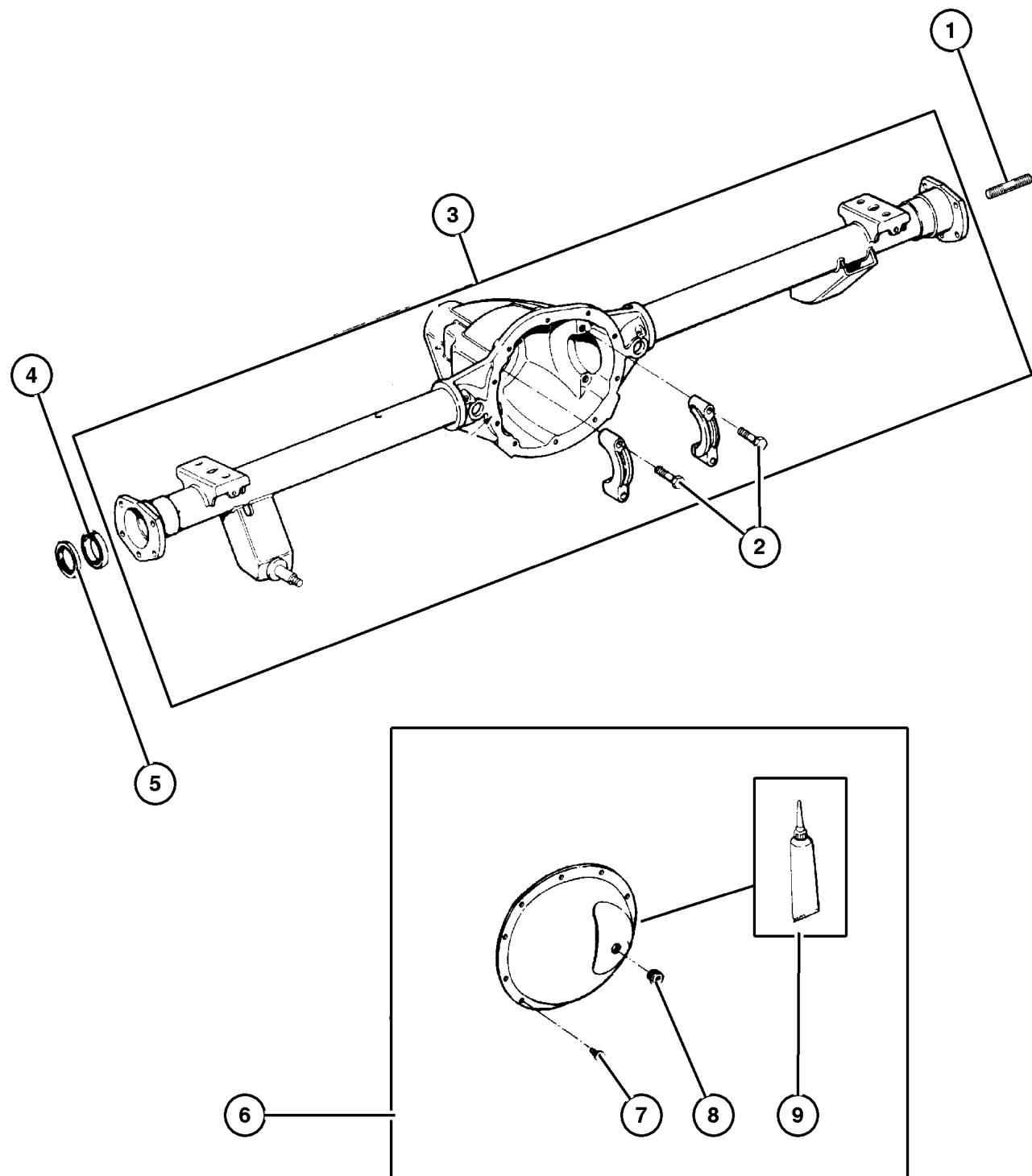
JEEP WRANGLER (TJ)

|             |                        |              |                       |                              |
|-------------|------------------------|--------------|-----------------------|------------------------------|
| SERIES      | LINE                   | BODY         | ENGINE                | TRANSMISSION                 |
| H = Sport   | J = Wrangler 4WD       | 77 = 93.4 WB | ED1, ED0 = 2.4L DOHC  | DGG, DGD = 32RH 3 Spd. Auto. |
| L = SE      | U = Wrangler 4WD (RHD) |              | ERH = 4.0L Power Tech | DDD = 5 Speed HD Manual      |
| M = X       |                        |              |                       | DG0 = Auto. Trans.           |
| P = Sahara  |                        |              |                       | DBB = Manual Trans.          |
| S = Rubicon |                        |              |                       | DDK = 5 Speed Manual         |

AR = Use as required - = Non illustrated part # = New this model year

August 27, 2004

Housing,Rear Axle,Dana 44/226MM [DRK]  
Figure 003-220



| ITEM                                      | PART NUMBER | QTY | LINE | SERIES | BODY | ENGINE | TRANS | TRIM | DESCRIPTION                  |
|---|-------------|-----|------|--------|------|--------|-------|------|------------------------------|
| Note:Sales Codes;                         |             |     |      |        |      |        |       |      |                              |
| [BGA]=Brakes - Power Front Disc/Rear Drum |             |     |      |        |      |        |       |      |                              |
| [BRW]=Brakes - 4-Wheel Disc               |             |     |      |        |      |        |       |      |                              |
| [DME]=Axle Ratio - 3.73                   |             |     |      |        |      |        |       |      |                              |
| [DMF]=Axle Ratio - 4.11                   |             |     |      |        |      |        |       |      |                              |
| [DMM]=Axle Ratio - 3.07                   |             |     |      |        |      |        |       |      |                              |
| [DRK]=Axle - Rear,Dana 44/226MM           |             |     |      |        |      |        |       |      |                              |
| [DSA]=Axle - Trac-Lok Differential        |             |     |      |        |      |        |       |      |                              |
| [DSE]=Axle - Trulok Differential          |             |     |      |        |      |        |       |      |                              |
| 1   |             |     |      |        |      |        |       |      | STUD                         |
|   | 5080 665AA  | 8   | J    |        | 77   |        |       |      |                              |
|   | J099 4313   | 8   | U    |        | 77   |        |       |      |                              |
| 2   |             |     |      |        |      |        |       |      | BOLT, Differential           |
|   | 5003 648AA  | 4   | J    |        | 77   |        |       |      |                              |
|   |             | 4   | U    |        | 77   |        |       |      |                              |
| 3   |             |     |      |        |      |        |       |      | HOUSING, Axle                |
|   | 5083 672AB  | 1   | J    |        | 77   |        |       |      | [DMF,BRW,DSE]                |
|   | 5086 635AB  | 1   | J    |        | 77   |        |       |      | [DME,BGA]                    |
|   | 5086 629AC  | 1   | U    |        | 77   |        |       |      |                              |
|   | 5086 635AB  | 1   | J    |        | 77   |        |       |      | [DME,BRW,DSA]                |
| 4   |             |     |      |        |      |        |       |      | BEARING, Axle Shaft          |
|   | 8350 3064   | 1   | J    |        | 77   |        |       |      |                              |
|   |             | 1   | U    |        | 77   |        |       |      |                              |
| 5   |             |     |      |        |      |        |       |      | SEAL, Axle Drive Shaft       |
|   | 8350 3063   | 1   | J    |        | 77   |        |       |      |                              |
|   |             | 1   | U    |        | 77   |        |       |      |                              |
| 6   |             |     |      |        |      |        |       |      | COVER, Differential          |
|   | 5014 821AA  | 1   | J    |        | 77   |        |       |      | [BRW]                        |
|   | 8350 5549   | 1   | J    |        | 77   |        |       |      | [BGA]                        |
|   |             | 1   | U    |        | 77   |        |       |      |                              |
| 7   |             |     |      |        |      |        |       |      | SCREW, Pan Head, .312-18x.56 |
|   | J400 6708   | 10  | J    |        | 77   |        |       |      |                              |
|   |             | 10  | U    |        | 77   |        |       |      |                              |
| 8   |             |     |      |        |      |        |       |      | PLUG, Differential Cover     |
|   | J400 4751   | 1   | J    |        | 77   |        |       |      | [BRW]                        |
|   | 3640 792    | 1   | J    |        | 77   |        |       |      | [BGA]                        |
|   |             | 1   | U    |        | 77   |        |       |      |                              |
| 9   |             |     |      |        |      |        |       |      | SEALANT, RTV                 |
|   | 5010 884AA  | 1   | J    |        | 77   |        |       |      |                              |
|   |             | 1   | U    |        | 77   |        |       |      |                              |

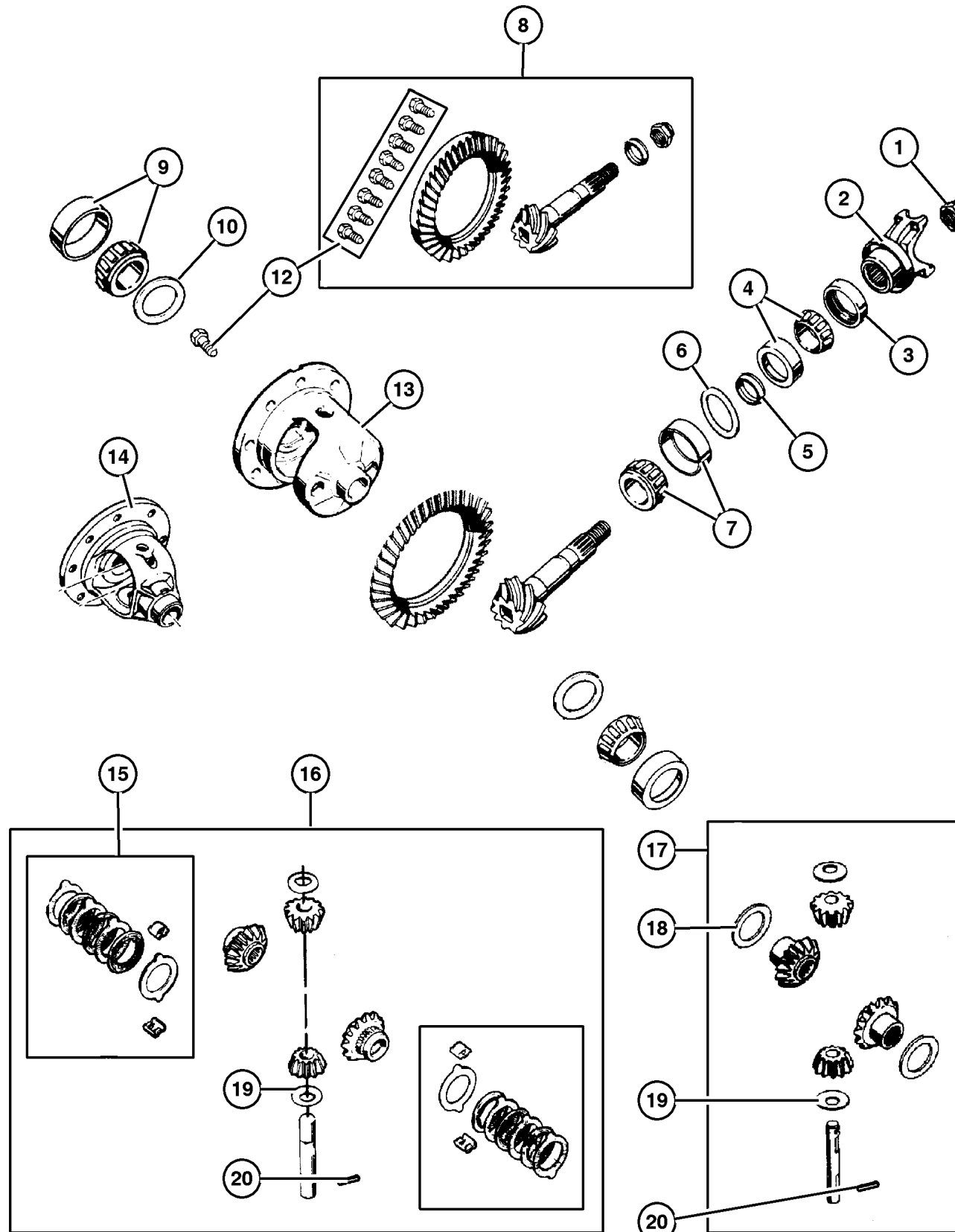
JEEP WRANGLER (TJ)

| SERIES      | LINE                   | BODY         | ENGINE                | TRANSMISSION                 |
|-------------|------------------------|--------------|-----------------------|------------------------------|
| H = Sport   | J = Wrangler 4WD       | 77 = 93.4 WB | ED1, ED0 = 2.4L DOHC  | DGG, DGD = 32RH 3 Spd. Auto. |
| L = SE      | U = Wrangler 4WD (RHD) |              | ERH = 4.0L Power Tech | DDD = 5 Speed HD Manual      |
| M = X       |                        |              |                       | DG0 = Auto. Trans.           |
| P = Sahara  |                        |              |                       | DBB = Manual Trans.          |
| S = Rubicon |                        |              |                       | DDK = 5 Speed Manual         |

AR = Use as required - = Non illustrated part # = New this model year

August 27, 2004

**Differential, With and Without Trac-Lok [DSA] Dana M35/194MM [DRJ]  
Figure 003-230**



| ITEM | PART NUMBER | QTY | LINE | SERIES | BODY | ENGINE | TRANS | TRIM | DESCRIPTION |
|------|-------------|-----|------|--------|------|--------|-------|------|-------------|
|------|-------------|-----|------|--------|------|--------|-------|------|-------------|

Note: Sales Codes;

[DME]=Axle Ratio - 3.73

[DMF]=Axle Ratio - 4.11

[DMM]=Axle Ratio - 3.07

[DMU]=Axle Ratio - 4.56

[DRJ]=Axle - Rear, Dana 35/194MM

[DSA]=Axle - Anti-Spin Differential

|     |            |   |   |  |    |  |  |  |  |
|-----|------------|---|---|--|----|--|--|--|--|
| 1   | 4720 895   | 1 | J |  | 77 |  |  |  | NUT, Pinion Yoke   |
| 2   | 4897 025AA | 1 | J |  | 77 |  |  |  | YOKE, Axle   |
| 3   | 8350 4946  | 1 | J |  | 77 |  |  |  | SEAL, Drive Pinion                                       |
| 4   | 5252 508   | 1 | J |  | 77 |  |  |  | BEARING, Drive Pinion, Bearing and Cup, Front            |
| 5   | J317 5779  | 1 | J |  | 77 |  |  |  | SPACER, Drive Pinion Bearing, Crush                      |
| 6   | 4720 922   | 1 | J |  | 77 |  |  |  | SHIM KIT, Pinion Shaft                                   |
| 7   | 5252 507   | 1 | J |  | 77 |  |  |  | BEARING, Drive Pinion, Bearing and Cup, Rear             |
| 8   | 5086 619AA | 1 | J |  | 77 |  |  |  | GEAR KIT, Ring And Pinion, [DMU]                         |
| 9   | J812 6500  | 1 | J |  | 77 |  |  |  | BEARING, Differential, Consists of 2 Bearings and 2 Cups |
| 10  |            |   |   |  |    |  |  |  | SHIM, Differential Bearing                               |
|     | 5017 300AA | 1 | J |  | 77 |  |  |  | [.152']  |
|     | 5017 302AA | 1 | J |  | 77 |  |  |  | [.154']  |
|     | 5017 304AA | 1 | J |  | 77 |  |  |  | [.156']  |
|     | 5017 306AA | 1 | J |  | 77 |  |  |  | [.158']  |
|     | 5017 308AA | 1 | J |  | 77 |  |  |  | [.160']  |
|     | 5017 310AA | 1 | J |  | 77 |  |  |  | [.162']  |
|     | 5017 312AA | 1 | J |  | 77 |  |  |  | [.164']  |
|     | 5017 314AA | 1 | J |  | 77 |  |  |  | [.166']  |
|     | 5017 316AA | 1 | J |  | 77 |  |  |  | [.168']  |
|     | 5017 318AA | 1 | J |  | 77 |  |  |  | [.170']  |
|     | 5017 320AA | 1 | J |  | 77 |  |  |  | [.172']  |
|     | 5017 322AA | 1 | J |  | 77 |  |  |  | [.174']  |
| -11 | 8350 3004  | 1 | J |  | 77 |  |  |  | SHIM KIT, Differential, Contains All Shims in Item 10    |
| 12  | 5012 810AC | 1 | J |  | 77 |  |  |  | BOLT KIT   |
| 13  |            |   |   |  |    |  |  |  | CASE, Differential                                       |
|     | 5012 831AB | 1 | J |  | 77 |  |  |  | With Internal part                                       |
|     | 5073 014AA | 1 | J |  | 77 |  |  |  |  |
| 14  | 5072 976AA | 1 | J |  | 77 |  |  |  | CASE, Differential, [DME,DMF,DMU] With Internal Parts    |

**JEEP WRANGLER (TJ)**

SERIES  
H = Sport  
L = SE  
M = X  
P = Sahara  
S = Rubicon

LINE  
J = Wrangler 4WD  
U = Wrangler 4WD (RHD)

BODY  
77 = 93.4 WB

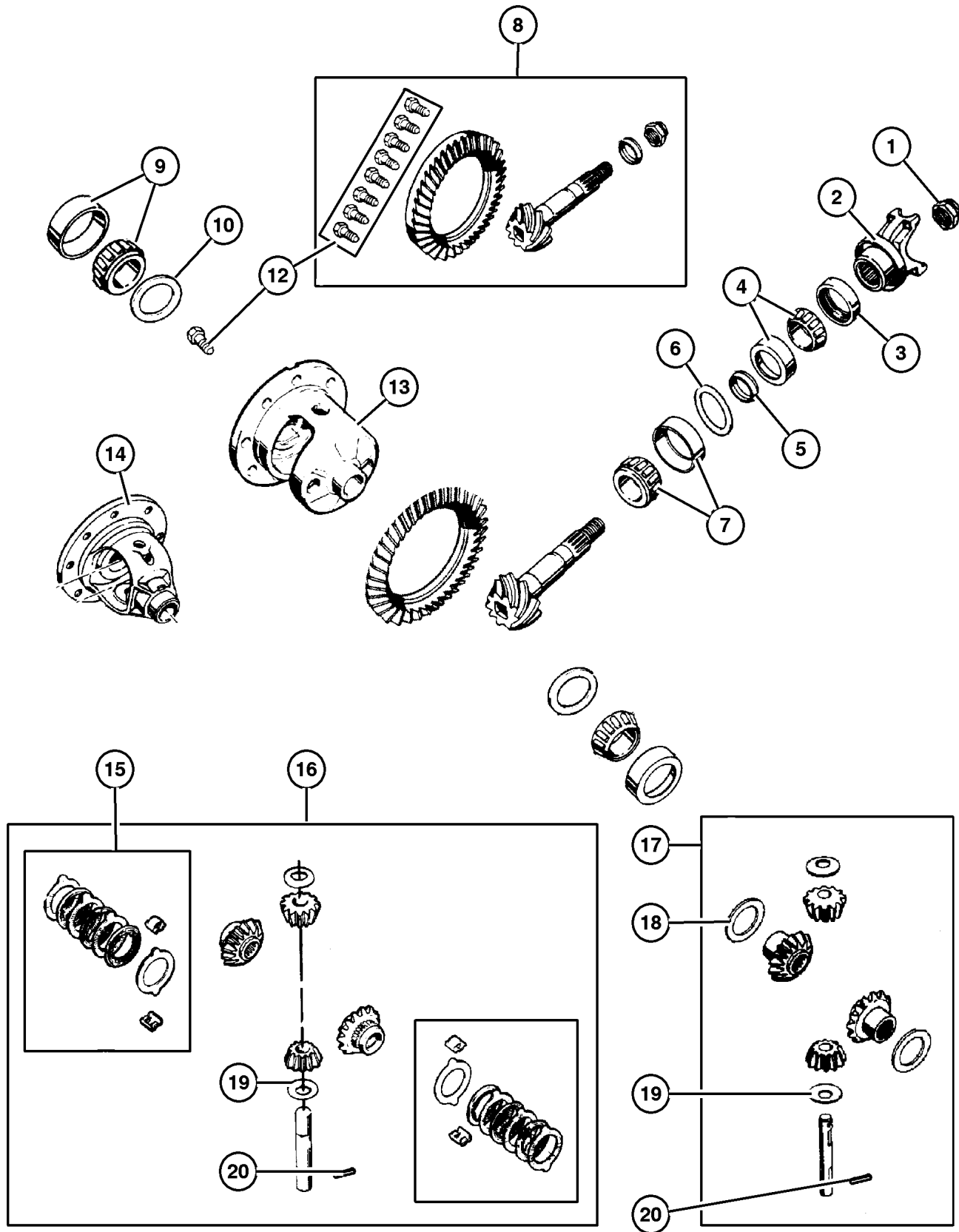
ENGINE  
ED1, ED0 = 2.4L DOHC  
ERH = 4.0L Power Tech

TRANSMISSION  
DGG, DGD = 32RH 3 Spd. Auto.  
DDD = 5 Speed HD Manual  
DGO = Auto. Trans.  
DBB = Manual Trans.  
DDK = 5 Speed Manual

AR = Use as required - = Non illustrated part # = New this model year

August 27, 2004

**Differential, With and Without Trac-Lok [DSA] Dana M35/194MM [DRJ]  
Figure 003-230**



| ITEM | PART NUMBER | QTY | LINE | SERIES | BODY | ENGINE | TRANS | TRIM | DESCRIPTION                                  |
|------|-------------|-----|------|--------|------|--------|-------|------|--|
| 15   | 5252 506    | 1   | J    |        | 77   |        |       |      | DISC AND PLATE KIT, Differential             |
| 16   | 4773 010    | 1   | J    |        | 77   |        |       |      | GEAR KIT, Center Differential, With DSA      |
| 17   | 4740 670    | 1   | J    |        | 77   |        |       |      | GEAR KIT, Center Differential, Without [DSA] |
| 18   | J812 0832   | 2   | J    |        | 77   |        |       |      | WASHER, Side Gear, Without [DSA], Thrust     |
| 19   | J812 0831   | 2   | J    |        | 77   |        |       |      | WASHER, Pinion Gear, Without [DSA], Thrust   |
| 20   | 5252 502    | 1   | J    |        | 77   |        |       |      | PIN, Differential Shaft, Without [DSA]       |

**JEEP WRANGLER (TJ)**

|             |                        |              |                       |                              |
|-------------|------------------------|--------------|-----------------------|------------------------------|
| SERIES      | LINE                   | BODY         | ENGINE                | TRANSMISSION                 |
| H = Sport   | J = Wrangler 4WD       | 77 = 93.4 WB | ED1, ED0 = 2.4L DOHC  | DGG, DGD = 32RH 3 Spd. Auto. |
| L = SE      | U = Wrangler 4WD (RHD) |              | ERH = 4.0L Power Tech | DDD = 5 Speed HD Manual      |
| M = X       |                        |              |                       | DG0 = Auto. Trans.           |
| P = Sahara  |                        |              |                       | DBB = Manual Trans.          |
| S = Rubicon |                        |              |                       | DDK = 5 Speed Manual         |

AR = Use as required - = Non illustrated part # = New this model year

August 27, 2004

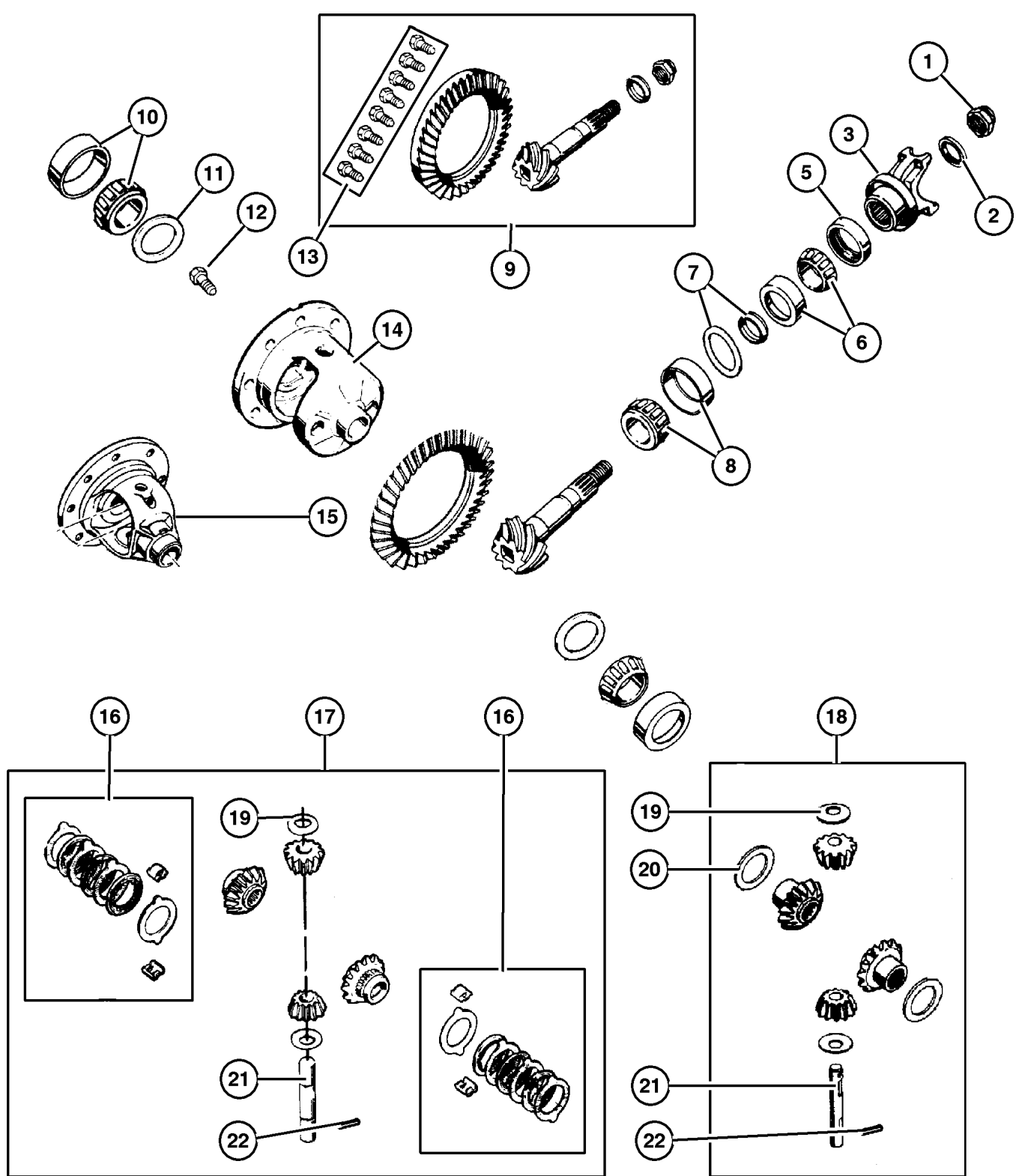
Differential, With and Without Trac-Lok [DSA] Dana 44/226MM [DRK]  
Figure 003-240

| ITEM | PART NUMBER | QTY | LINE | SERIES | BODY | ENGINE | TRANS | TRIM | DESCRIPTION |
|------|-------------|-----|------|--------|------|--------|-------|------|-------------|
|------|-------------|-----|------|--------|------|--------|-------|------|-------------|

Note: Sales Codes;  
 [DME]=Axle Ratio - 3.73  
 [DMF]=Axle Ratio - 4.11  
 [DMM]=Axle Ratio - 3.07  
 [DRK]=Axle - Rear, Dana 44/226MM  
 [DSA]=Axle - Anti-Spin Differential

|    |            |   |   |  |    |  |  |  |                                   |
|----|------------|---|---|--|----|--|--|--|-----------------------------------|
| 1  | 1791 575   | 1 | J |  | 77 |  |  |  | NUT, Pinion Yoke                  |
|    |            | 1 | U |  | 77 |  |  |  |                                   |
| 2  | 1791 576   | 1 | J |  | 77 |  |  |  | WASHER, Pinion Yoke               |
|    |            | 1 | U |  | 77 |  |  |  |                                   |
| 3  |            |   |   |  |    |  |  |  | YOKE, Axle                        |
|    | 4897 026AA | 1 | J |  | 77 |  |  |  |                                   |
|    |            | 1 | U |  | 77 |  |  |  |                                   |
| -4 |            |   |   |  |    |  |  |  | SLINGER, Drive Pinion             |
|    | 4031 974   | 1 | J |  | 77 |  |  |  |                                   |
|    |            | 1 | U |  | 77 |  |  |  |                                   |
| 5  |            |   |   |  |    |  |  |  | SEAL, Drive Pinion                |
|    | 5072 473AA | 1 | J |  | 77 |  |  |  |                                   |
|    |            | 1 | U |  | 77 |  |  |  |                                   |
| 6  |            |   |   |  |    |  |  |  | BEARING, Drive Pinion             |
|    | J812 4052  | 1 | J |  | 77 |  |  |  | Bearing and Cup, Front            |
|    |            | 1 | U |  | 77 |  |  |  | Bearing and Cup, Front            |
| 7  |            |   |   |  |    |  |  |  | SHIM KIT, Pinion Shaft            |
|    | J812 9221  | 1 | J |  | 77 |  |  |  |                                   |
|    |            | 1 | U |  | 77 |  |  |  |                                   |
| 8  |            |   |   |  |    |  |  |  | BEARING, Drive Pinion             |
|    | 5014 847AA | 1 | J |  | 77 |  |  |  | Bearing and Cup, Rear             |
|    |            | 1 | U |  | 77 |  |  |  | Bearing and Cup, Rear             |
| 9  |            |   |   |  |    |  |  |  | GEAR KIT, Ring And Pinion         |
|    | 5103 016AB | 1 | J |  | 77 |  |  |  | [DME]                             |
|    | 5127 180AA | 1 | J |  | 77 |  |  |  | [DMF]                             |
|    | 5103 016AB | 1 | U |  | 77 |  |  |  | [DME]                             |
|    | 5103 018AB | 1 | U |  | 77 |  |  |  | [DMM]                             |
| 10 |            |   |   |  |    |  |  |  | BEARING, Differential             |
|    | 4746 733   | 1 | J |  | 77 |  |  |  | Consists of 2 Bearings and 2 Cups |
|    |            | 1 | U |  | 77 |  |  |  | Consists of 2 Bearings and 2 Cups |
| 11 |            |   |   |  |    |  |  |  | SHIM KIT, Differential            |
|    | 5093 047AA | 1 | J |  | 77 |  |  |  |                                   |
|    |            | 1 | U |  | 77 |  |  |  |                                   |
| 12 |            |   |   |  |    |  |  |  | SCREW, Drive Gear                 |

JEEP WRANGLER (TJ)  
 SERIES LINE BODY ENGINE TRANSMISSION  
 H = Sport J = Wrangler 4WD 77 = 93.4 WB ED1, ED0 = 2.4L DOHC DGG, DGD = 32RH 3 Spd.  
 L = SE U = Wrangler 4WD (RHD) ERH = 4.0L Power Tech Auto.  
 M = X  
 P = Sahara  
 S = Rubicon  
 DDD = 5 Speed HD Manual  
 DGO = Auto. Trans.  
 DBB = Manual Trans.  
 DDK = 5 Speed Manual

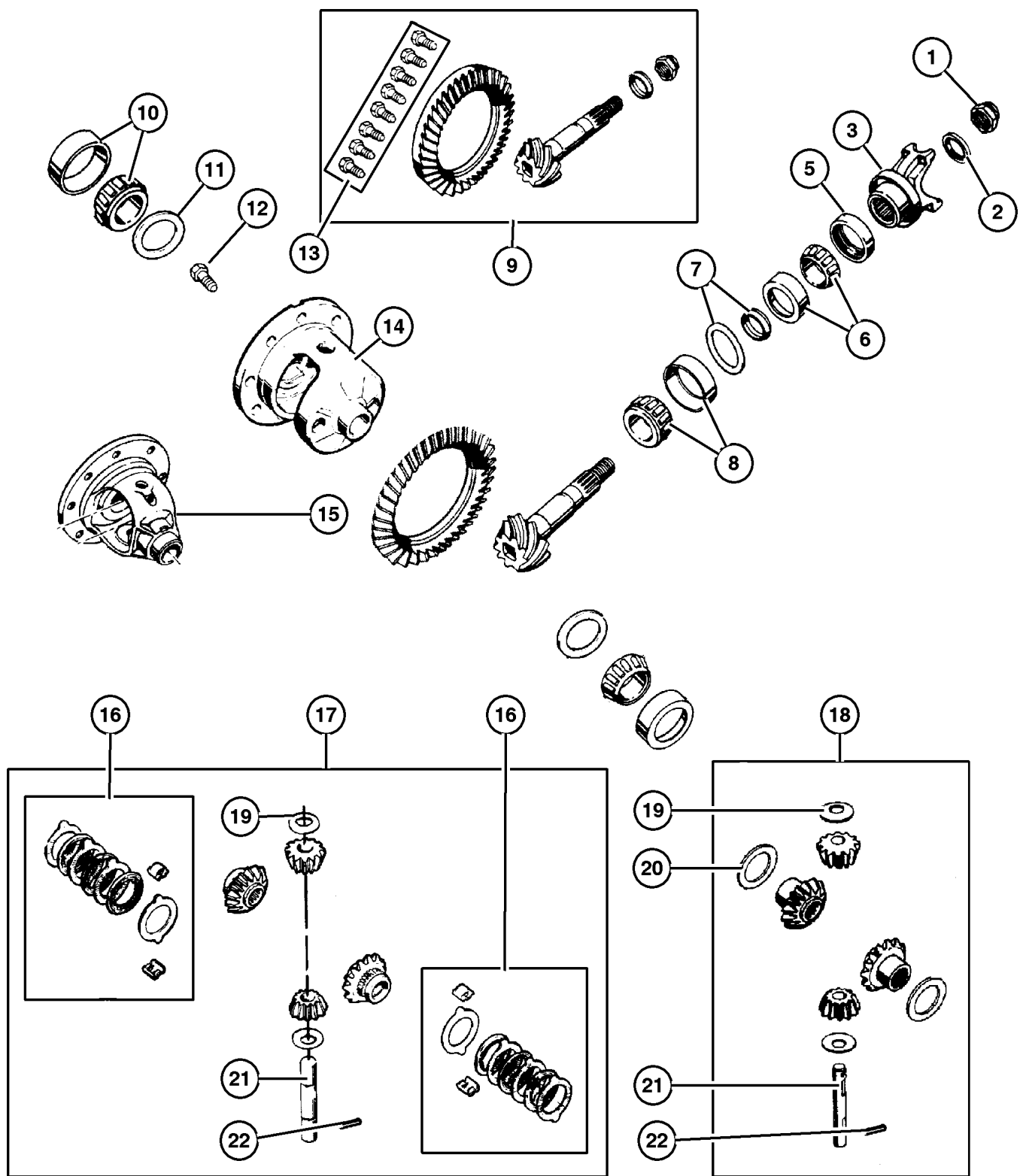


AR = Use as required - = Non illustrated part # = New this model year

August 27, 2004

Differential, With and Without Trac-Lok [DSA] Dana 44/226MM [DRK]  
Figure 003-240

| ITEM | PART NUMBER | QTY | LINE | SERIES | BODY | ENGINE | TRANS | TRIM | DESCRIPTION   |
|------|-------------|-----|------|--------|------|--------|-------|------|---|
|      | 5252 503    | 1   | U    |        | 77   |        |       |      | 3/8 Ring gear bolts, Mounting                         |
|      |             | 1   | J    |        |      |        |       |      | 3/8 Ring gear bolts, Mounting                         |
| 13   | 5012 810AC  | 1   | J    |        | 77   |        |       |      | BOLT KIT  |
|      |             | 1   | U    |        | 77   |        |       |      | 7/16" Ring Gear Bolts, Mounting                       |
|      |             | 1   | U    |        | 77   |        |       |      | 7/16" Ring Gear Bolts, Mounting                       |
| 14   | 5103 017AA  | 1   | J    |        | 77   |        |       |      | CASE, Differential                                    |
|      |             | 1   | U    |        | 77   |        |       |      | With [DSA] With internal Parts-7/16" Ring Gear Bolts  |
|      |             | 1   | U    |        | 77   |        |       |      | With [DSA] With internal Parts-7/16" Ring Gear Bolts  |
| 15   | 5103 031AA  | 1   | J    |        | 77   |        |       |      | CASE, Differential, Without [DSA] With Internal Parts |
| 16   |             |     |      |        |      |        |       |      | DISC AND PLATE KIT, Differential                      |
|      | J0994 345AB | 1   | J    |        | 77   |        |       |      | With [DSA]  |
|      |             | 1   | U    |        | 77   |        |       |      | With [DSA]  |
| 17   | 83505 432AB | 1   | J    |        | 77   |        |       |      | GEAR KIT, Center Differential                         |
|      |             | 1   | U    |        | 77   |        |       |      | With [DSA]  |
| 18   | 4778 595    | 1   | J    |        | 77   |        |       |      | GEAR KIT, Center Differential, Without [DSA]          |
| 19   |             |     |      |        |      |        |       |      | WASHER, Pinion Gear                                   |
|      | 1791 561    | 2   | J    |        | 77   |        |       |      | With or Without [DSA], Thrust                         |
|      |             | 2   | U    |        | 77   |        |       |      | With or Without [DSA], Thrust                         |
| 20   | 4137 755    | 2   | J    |        | 77   |        |       |      | WASHER, Side Gear, Without [DSA], Thrust              |
| 21   | 8350 3069   | 1   | J    |        | 77   |        |       |      | SHAFT, Differential                                   |
|      |             | 1   | U    |        | 77   |        |       |      | With or Without [DSA]                                 |
| 22   | 1791 563    | 1   | J    |        | 77   |        |       |      | PIN, Differential Shaft                               |
|      |             | 1   | U    |        | 77   |        |       |      | With or Without [DSA]                                 |



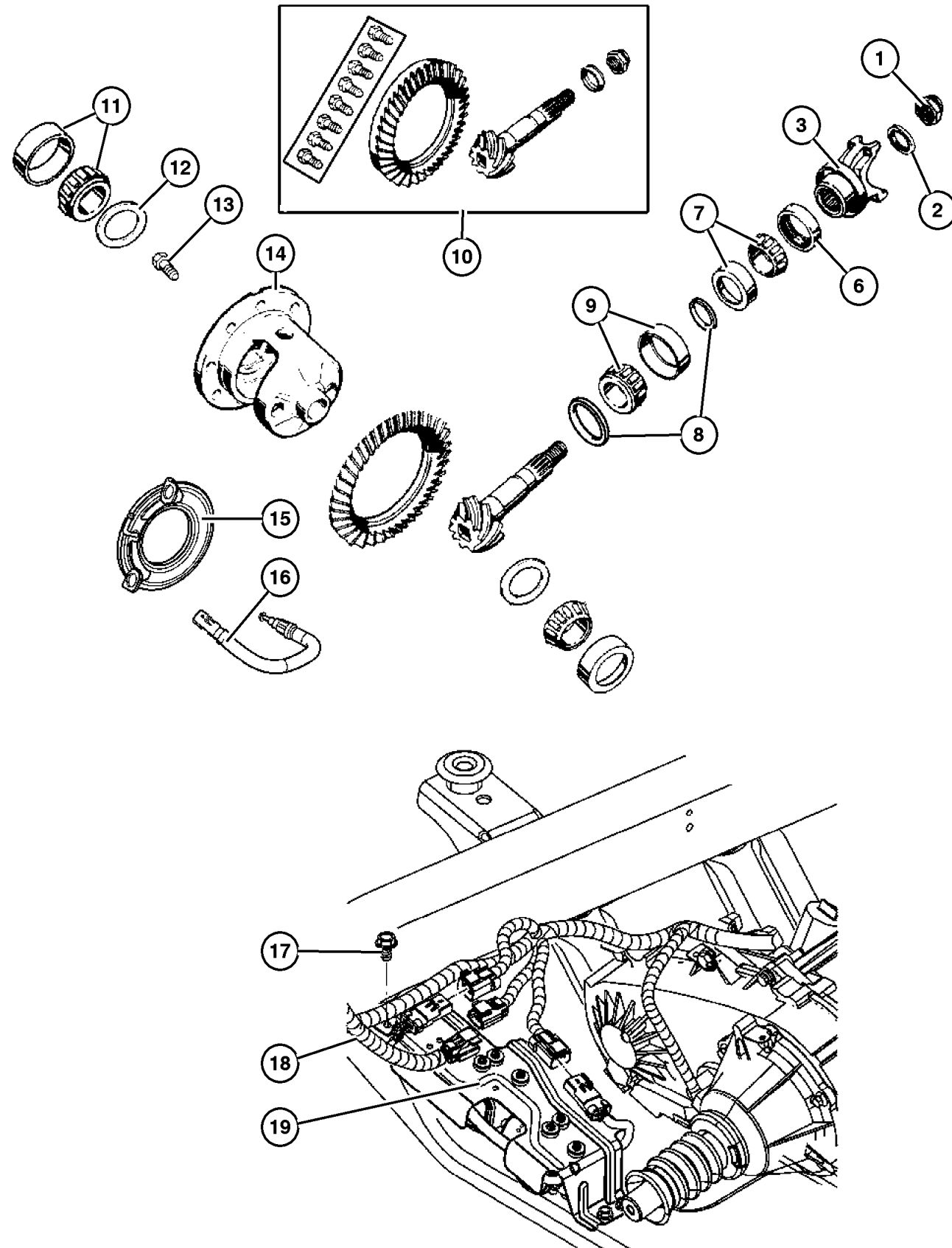
JEEP WRANGLER (TJ)

|             |                        |              |                       |                              |
|-------------|------------------------|--------------|-----------------------|------------------------------|
| SERIES      | LINE                   | BODY         | ENGINE                | TRANSMISSION                 |
| H = Sport   | J = Wrangler 4WD       | 77 = 93.4 WB | ED1, ED0 = 2.4L DOHC  | DGG, DGD = 32RH 3 Spd. Auto. |
| L = SE      | U = Wrangler 4WD (RHD) |              | ERH = 4.0L Power Tech | DDD = 5 Speed HD Manual      |
| M = X       |                        |              |                       | DG0 = Auto. Trans.           |
| P = Sahara  |                        |              |                       | DBB = Manual Trans.          |
| S = Rubicon |                        |              |                       | DDK = 5 Speed Manual         |

AR = Use as required - = Non illustrated part # = New this model year

August 27, 2004

Differential, With Trulok Differential [DSE] Dana 44/226MM [DRK]  
Figure 003-250



| ITEM                             | PART NUMBER | QTY | LINE | SERIES | BODY | ENGINE | TRANS | TRIM | DESCRIPTION  |
|----------------------------------|-------------|-----|------|--------|------|--------|-------|------|--|
| Note: Sales Codes;               |             |     |      |        |      |        |       |      |  |
| [DMF]=Axle Ratio - 4.11          |             |     |      |        |      |        |       |      |  |
| [DSE]=Axle - Trulok Differential |             |     |      |        |      |        |       |      |  |
| 1                                | 5017 755AA  | 1   | J    |        | 77   |        |       |      | NUT, Pinion Yoke   |
| 2                                |             |     |      |        |      |        |       |      | WASHER, Pinion Yoke, (NOT REQUIRED)                          |
| 3                                | 4797 689    | 1   | J    |        | 77   |        |       |      | YOKE, Axle   |
| -4                               | 5012 453AA  | 1   | J    |        | 77   |        |       |      | O RING, Pinion Flange, Fits on Hub of Axle Yoke              |
| -5                               | 4031 974    | 1   | J    |        | 77   |        |       |      | SLINGER, Drive Pinion  |
| 6                                | 5066 446AA  | 1   | J    |        | 77   |        |       |      | SEAL, Drive Pinion   |
| 7                                | J812 4052   | 1   | J    |        | 77   |        |       |      | BEARING, Drive Pinion, Bearing and Cup, Front                |
| 8                                | 5083 673AB  | 1   | J    |        | 77   |        |       |      | SHIM KIT, Pinion Shaft, Preload                              |
| 9                                | 5014 847AA  | 1   | J    |        | 77   |        |       |      | BEARING, Drive Pinion, Bearing and Cup, Rear                 |
| 10                               | 5127 180AA  | 1   | J    |        | 77   |        |       |      | GEAR KIT, Ring And Pinion, [DMF]                             |
| 11                               | 4746 733    | 1   | J    |        | 77   |        |       |      | BEARING, Differential, Consists of 2 Bearings and 2 Cups     |
| 12                               | 5093 047AA  | 1   | J    |        | 77   |        |       |      | SHIM KIT, Differential                                       |
| 13                               | 5012 810AC  | 1   | J    |        | 77   |        |       |      | BOLT KIT   |
| 14                               | 52104 572AA | 1   | J    |        | 77   |        |       |      | CASE, Differential, With Internal Parts                      |
| 15                               | 52104 611AA | 1   | J    |        |      |        |       |      | ACTUATOR, Axle Locker  |
| 16                               | 52104 610AA | 1   | J    |        |      |        |       |      | SENSOR, Axle Locker  |
| 17                               | 6505 914AA  | 4   | J    |        |      |        |       |      | BOLT, Axle Locker Pump, Mounting                             |
| 18                               | 52104 603AB | 1   | J    |        |      |        |       |      | HARNES, Electronic Front Axle                                |
| 19                               | 52104 604AB | 1   | J    |        |      |        |       |      | PUMP MODULE, Axle Locker, Contains Front and Rear Axle Pumps |
| -20                              | 5127 836AA  | 2   | J    |        |      |        |       |      | PUMP, Axle Locker, Pump only, Front or Rear                  |
| -21                              | J323 2982   | 1   | J    |        |      |        |       |      | TEE, Vacuum  |
| -22                              | HFV00 014AB | 1   | J    |        |      |        |       |      | HOSE 1FT, Fuel & Vapor, 1/4"                                 |

JEEP WRANGLER (TJ)

| SERIES      | LINE                   | BODY         | ENGINE                | TRANSMISSION                 |
|-------------|------------------------|--------------|-----------------------|------------------------------|
| H = Sport   | J = Wrangler 4WD       | 77 = 93.4 WB | ED1, ED0 = 2.4L DOHC  | DGG, DGD = 32RH 3 Spd. Auto. |
| L = SE      | U = Wrangler 4WD (RHD) |              | ERH = 4.0L Power Tech | DDD = 5 Speed HD Manual      |
| M = X       |                        |              |                       | DG0 = Auto. Trans.           |
| P = Sahara  |                        |              |                       | DBB = Manual Trans.          |
| S = Rubicon |                        |              |                       | DDK = 5 Speed Manual         |

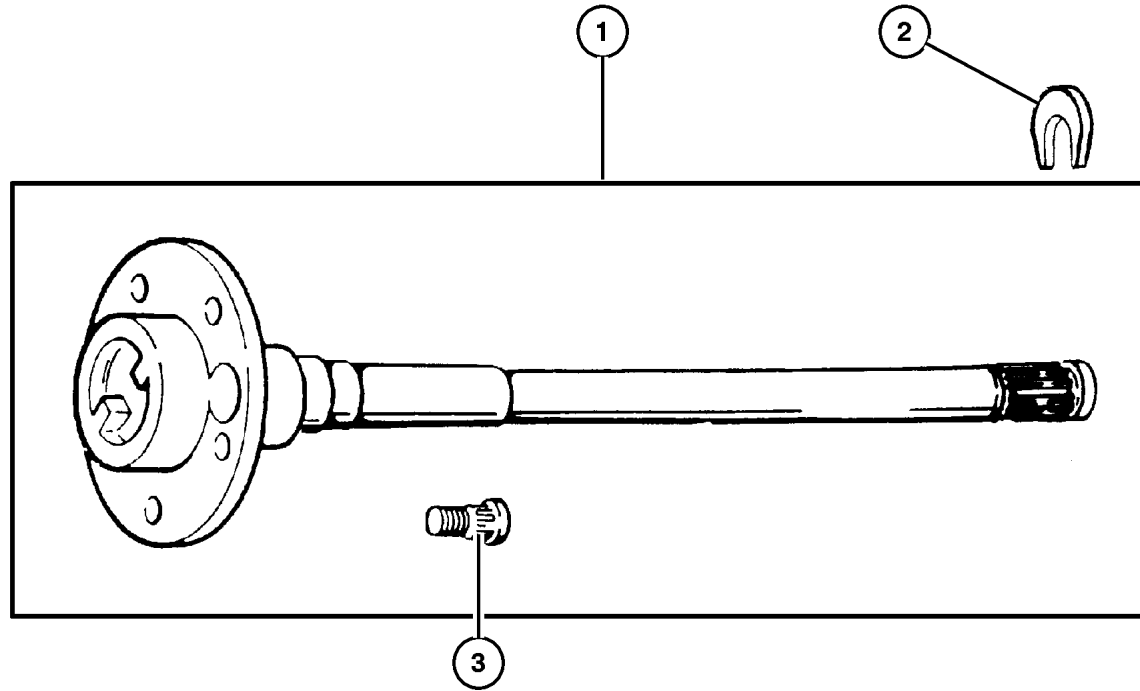
AR = Use as required - = Non illustrated part # = New this model year

August 27, 2004



**Shaft,Rear Axle,Dana 35/194MM [DRJ]  
Figure 003-410**

| ITEM                            | PART NUMBER | QTY | LINE | SERIES | BODY | ENGINE | TRANS | TRIM | DESCRIPTION   |
|---------------------------------|-------------|-----|------|--------|------|--------|-------|------|---|
| Note:Sales Codes;               |             |     |      |        |      |        |       |      |   |
| [DRJ]=Axle - Rear,Dana 35/194MM |             |     |      |        |      |        |       |      |   |
| 1                               | 5086 640AA  | 1   | J    |        | 77   |        |       |      | SHAFT, Axle<br>Without 52104676AC Axle<br>Assembly, Right |
|                                 | 5086 641AA  | 1   | J    |        | 77   |        |       |      | Without 52104676AC Axle<br>Assembly, Left                 |
| 2                               | 5252 505    | 2   | J    |        | 77   |        |       |      | RETAINER, Axle Shaft, Right or Left                       |
| 3                               | 4762 841    | 5   | J    |        | 77   |        |       |      | STUD, Hub, Right or Left                                  |

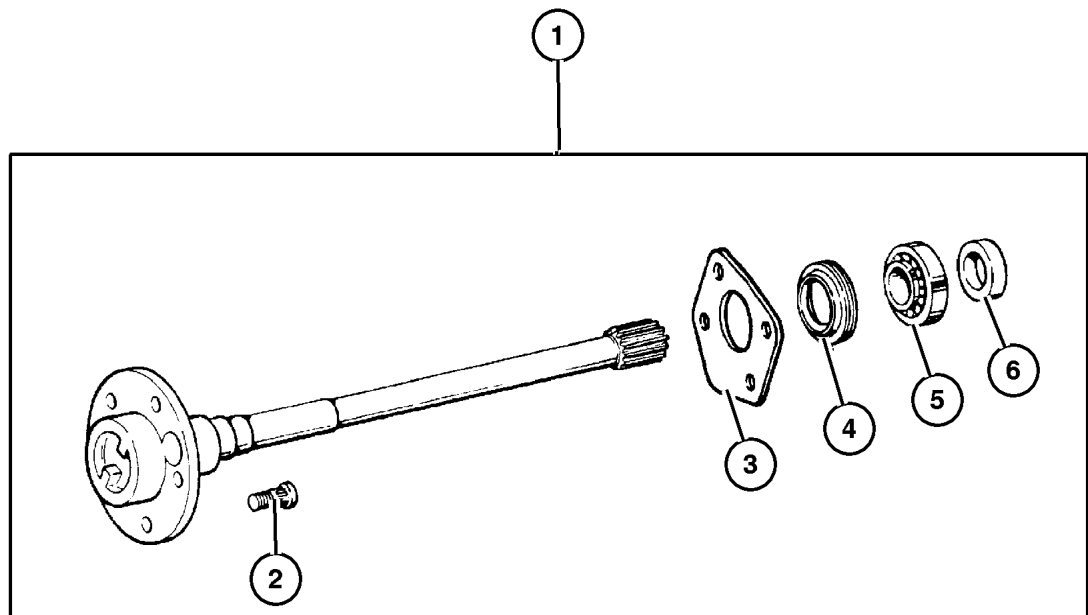


|                           |                        |              |                       |                                 |
|---------------------------|------------------------|--------------|-----------------------|---------------------------------|
| <b>JEEP WRANGLER (TJ)</b> |                        |              |                       |                                 |
| SERIES                    | LINE                   | BODY         | ENGINE                | TRANSMISSION                    |
| H = Sport                 | J = Wrangler 4WD       | 77 = 93.4 WB | ED1, ED0 = 2.4L DOHC  | DGG, DGD = 32RH 3 Spd.<br>Auto. |
| L = SE                    | U = Wrangler 4WD (RHD) |              | ERH = 4.0L Power Tech | DDD = 5 Speed HD Manual         |
| M = X                     |                        |              |                       | DG0 = Auto. Trans.              |
| P = Sahara                |                        |              |                       | DBB = Manual Trans.             |
| S = Rubicon               |                        |              |                       | DDK = 5 Speed Manual            |

AR = Use as required - = Non illustrated part # = New this model year

August 27, 2004

**Shaft,Rear Axle,Dana 44/226MM [DRK]  
Figure 003-420**



| ITEM                                      | PART NUMBER | QTY | LINE | SERIES | BODY | ENGINE | TRANS | TRIM | DESCRIPTION               |
|---|-------------|-----|------|--------|------|--------|-------|------|---------------------------|
| Note:Sales Codes;                         |             |     |      |        |      |        |       |      |                           |
| [BGA]=Brakes - Power Front Disc/Rear Drum |             |     |      |        |      |        |       |      |                           |
| [BRW]=Brakes - 4-Wheel Disc               |             |     |      |        |      |        |       |      |                           |
| [DRK]=Axle - Rear,Dana 44/226MM           |             |     |      |        |      |        |       |      |                           |
| 1   |             |     |      |        |      |        |       |      | SHAFT, Axle               |
|   | 5086 632AA  | 1   | J    |        | 77   |        |       |      | [BGA], Right              |
|   | 5086 633AA  | 1   | J    |        | 77   |        |       |      | [BGA], Left               |
|   | 5083 676AA  | 1   | J    |        | 77   |        |       |      | [BRW], Right              |
|   | 5083 677AA  | 1   | J    |        | 77   |        |       |      | [BRW], Left               |
|   | 5086 633AA  | 1   | U    |        | 77   |        |       |      | Left                      |
|   | 5086 632AA  | 1   | U    |        | 77   |        |       |      | Right                     |
| 2   |             |     |      |        |      |        |       |      | STUD, Hub                 |
|   | 4762 841    | 5   | J    |        | 77   |        |       |      | Right or Left             |
|   |             | 5   | U    |        | 77   |        |       |      | Right or Left             |
| 3   |             |     |      |        |      |        |       |      | RETAINER, Axle Shaft Seal |
|   | 5010 811AA  | 1   | J    |        | 77   |        |       |      | [BGA], Right or Left      |
|   | 5083 678AA  | 1   | J    |        | 77   |        |       |      | [BRW], Right or Left      |
|   | 5010 811AA  | 1   | U    |        | 77   |        |       |      | Right or Left             |
| 4   |             |     |      |        |      |        |       |      | SEAL, Axle Drive Shaft    |
|   | 8350 3063   | 1   | J    |        | 77   |        |       |      | Right or Left             |
|   |             | 1   | U    |        | 77   |        |       |      | Right or Left             |
| 5   |             |     |      |        |      |        |       |      | BEARING, Axle Shaft       |
|   | 8350 3064   | 1   | J    |        | 77   |        |       |      | Right or Left             |
|   |             | 1   | U    |        | 77   |        |       |      | Right or Left             |
| 6   |             |     |      |        |      |        |       |      | RING, Axle Shaft          |
|   | 8350 3077   | 1   | J    |        | 77   |        |       |      | Right or Left             |
|   |             | 1   | U    |        | 77   |        |       |      | Right or Left             |

**JEEP WRANGLER (TJ)**

|             |                        |              |                       |                         |
|-------------|------------------------|--------------|-----------------------|-------------------------|
| SERIES      | LINE                   | BODY         | ENGINE                | TRANSMISSION            |
| H = Sport   | J = Wrangler 4WD       | 77 = 93.4 WB | ED1, ED0 = 2.4L DOHC  | DGG, DGD = 32RH 3 Spd.  |
| L = SE      | U = Wrangler 4WD (RHD) |              | ERH = 4.0L Power Tech | Auto.                   |
| M = X       |                        |              |                       | DDD = 5 Speed HD Manual |
| P = Sahara  |                        |              |                       | DG0 = Auto. Trans.      |
| S = Rubicon |                        |              |                       | DBB = Manual Trans.     |
|             |                        |              |                       | DDK = 5 Speed Manual    |

AR = Use as required - = Non illustrated part # = New this model year

August 27, 2004

# Group – 004

## Parking Brake

### GROUP 4 - Parking Brake

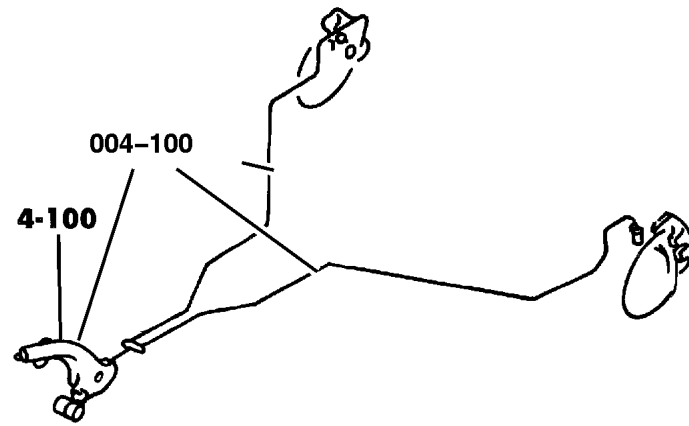
Illustration Title


Group-Fig. No.

#### Parking Brake Lever and Cables

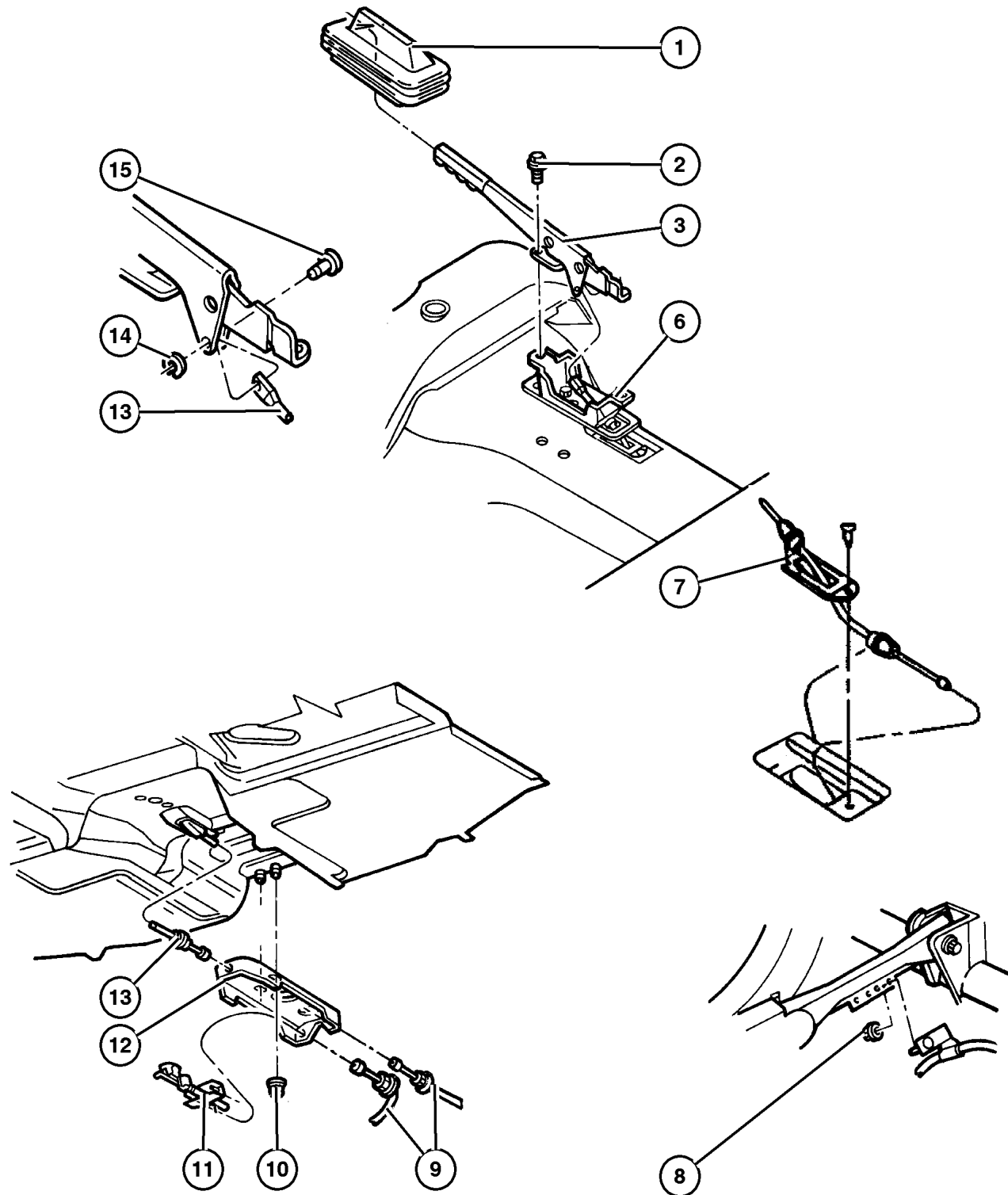
Parking Brake Lever and Cables ..... Fig. 004-110

Parking Brake Assembly,Rear,Disc ..... Fig. 004-120



|  |  |  |  |
|--|--|--|--|
| <p><b>004-100</b><br/>Parking Brake Lever and Cables</p>  |  |  |  |
|--|--|--|--|

## Parking Brake Lever and Cables Figure 004-110



| ITEM                                      | PART NUMBER | QTY | LINE | SERIES | BODY | ENGINE | TRANS | TRIM | DESCRIPTION  |
|---|-------------|-----|------|--------|------|--------|-------|------|--|
| Note:Sales Codes;                         |             |     |      |        |      |        |       |      |  |
| [BGA]=Brakes - Power Front Disc/Rear Drum |             |     |      |        |      |        |       |      |  |
| [BGK]=Brakes - 4-Wheel Anti-Lock          |             |     |      |        |      |        |       |      |  |
| [BRW]=Brakes - 4-Wheel Disc               |             |     |      |        |      |        |       |      |  |
| 1   | 52078 891AB | 1   |      |        |      |        |       |      | BOOT, Parking Brake Lever  |
| 2   | 3420 1686   | 2   |      |        |      |        |       |      | BOLT, Hex Flange Head, M12x1.18x35<br>Parking Brake Lever to Bracket, Mounting                             |
|   |             |     |      |        |      |        |       |      | Parking Brake Lever to Bracket to Floor Pan, Mounting  |
| 3   | 52128 203AD | 1   |      |        |      |        |       |      | LEVER, Park Brake  |
| -4  | 5209 922    | 1   |      |        |      |        |       |      | SWITCH, Parking Brake  |
| -5  |             |     |      |        |      |        |       |      | SCREW, Hex Flange Head, Parking Brake Switch Mounting -Tapping .190-24x.750, (NOT SERVICED) (Not Serviced) |
| 6   | 5212 8191   | 1   |      |        |      |        |       |      | BRACKET, Parking Lever, Mounting   |
| 7   | 0153 644    | 3   |      |        |      |        |       |      | SCREW, .190-16x.500, Front Parking Brake Cable Seal to Floor Pan, Mounting                                 |
| 8   | 6101 695    | 1   |      |        |      |        |       |      | NUT, Hex Flange Lock, Parking Brake Cable to Right Control Arm, Mounting                                   |
| 9   |             |     |      |        |      |        |       |      | CABLE, Parking Brake   |
|   | 5200 8362   | 1   | J    |        | 77   |        |       |      | [BGA,BGK], Right   |
|   | 5200 8363   | 1   | J    |        | 77   |        |       |      | [BGA,BGK], Left  |
|   | 52128 428AA | 1   | J    |        | 77   |        |       |      | [BRW], Right   |
|   | 52128 429AA | 1   | J    |        | 77   |        |       |      | [BRW], Left  |
|   | 5200 8362   | 1   | U    |        | 77   |        |       |      | Right  |
|   | 5200 8363   | 1   | U    |        | 77   |        |       |      | Left   |
| 10  | 6505 245AA  | 2   |      |        |      |        |       |      | NUT, M8x1.25, Parking Brake Support Bracket to Floor Pan, Mounting   |
| 11  | 5200 9527   | 1   |      |        |      |        |       |      | TENSIONER, Parking Brake Cable, Adjusting  |
| 12  | 52127 952AC | 1   |      |        |      |        |       |      | BRACKET, Cable   |
| 13  | 52128 206AD | 1   |      |        |      |        |       |      | CABLE, Parking Brake, Front  |
| 14  | 5207 8012   | 1   |      |        |      |        |       |      | CLIP, Parking Brake Cable, Parking Brake Lever, Mounting   |
| 15  | 5207 8010   | 1   |      |        |      |        |       |      | PIN, Parking Release, Parking Brake Lever, Mounting  |

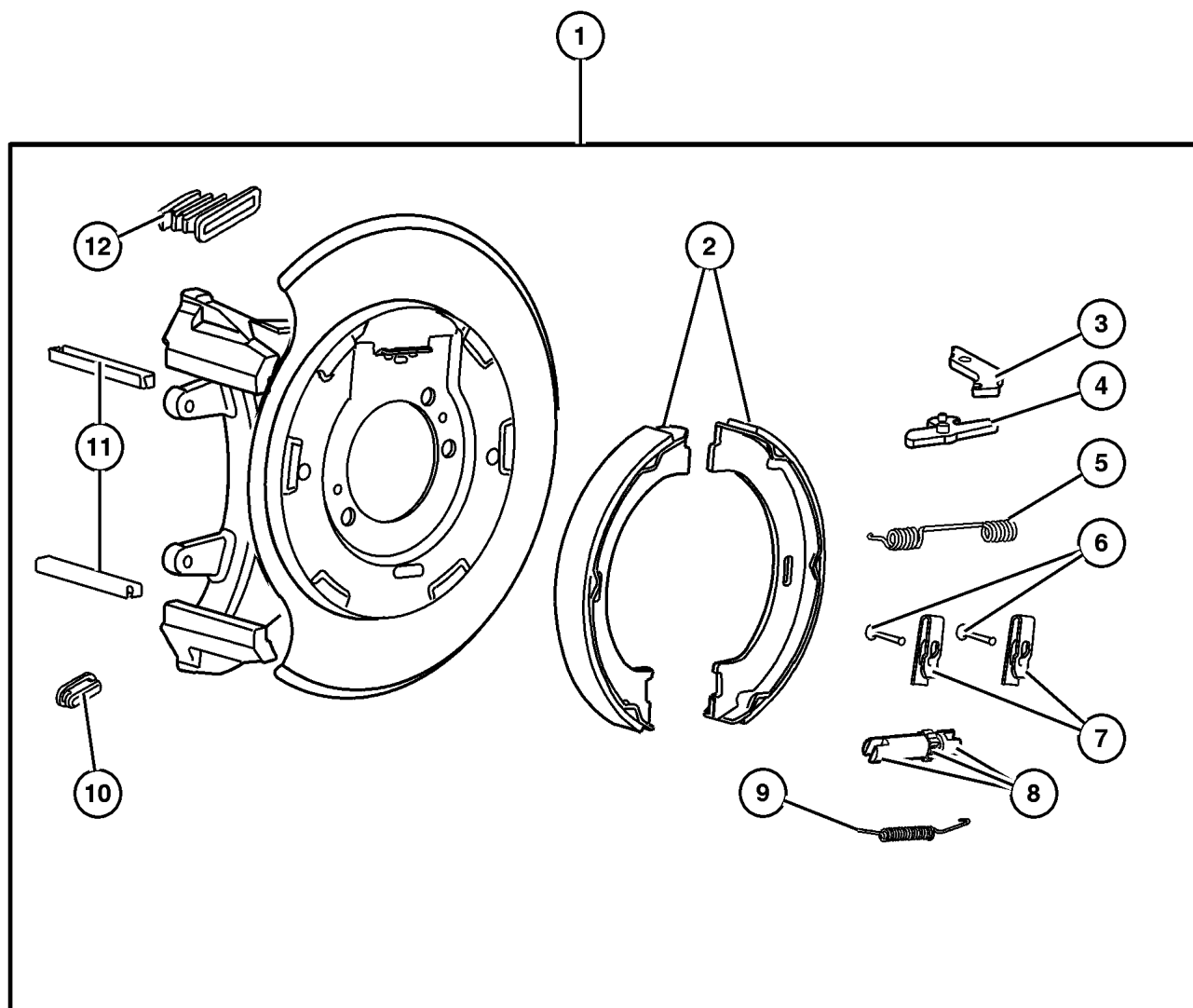
### JEEP WRANGLER (TJ)

| SERIES      | LINE                   | BODY         | ENGINE                | TRANSMISSION                 |
|-------------|------------------------|--------------|-----------------------|------------------------------|
| H = Sport   | J = Wrangler 4WD       | 77 = 93.4 WB | ED1, ED0 = 2.4L DOHC  | DGG, DGD = 32RH 3 Spd. Auto. |
| L = SE      | U = Wrangler 4WD (RHD) |              | ERH = 4.0L Power Tech | DDD = 5 Speed HD Manual      |
| M = X       |                        |              |                       | DG0 = Auto. Trans.           |
| P = Sahara  |                        |              |                       | DBB = Manual Trans.          |
| S = Rubicon |                        |              |                       | DDK = 5 Speed Manual         |

AR = Use as required - = Non illustrated part # = New this model year

August 27, 2004

**Parking Brake Assembly,Rear,Disc  
Figure 004-120**



| ITEM | PART NUMBER | QTY | LINE | SERIES | BODY | ENGINE | TRANS | TRIM | DESCRIPTION                        |
|------|-------------|-----|------|--------|------|--------|-------|------|------------------------------------|
| 1    |             |     |      |        |      |        |       |      | ADAPTER, Parking Brake             |
|      | 52128 414AB | 1   | J    |        | 77   |        |       |      | Right                              |
|      | 52128 415AB | 1   | J    |        | 77   |        |       |      | Left                               |
| 2    | 5093 390AA  | 1   | J    |        | 77   |        |       |      | SHOE AND LINING KIT, Parking Brake |
| 3    | 5093 392AA  | 1   | J    |        | 77   |        |       |      | LEVER, Park Brake Adjusting        |
| 4    |             |     |      |        |      |        |       |      | LEVER, Park Brake, Add 5093338aa   |
|      | 5093 334AA  | 1   | J    |        | 77   |        |       |      | Right                              |
|      | 5093 338AA  | 1   | J    |        | 77   |        |       |      | Left                               |
| 5    | 5093 393AA  | 1   | J    |        | 77   |        |       |      | SPRING, Park Brake Shoe Return     |
| 6    | 4762 126    | 2   | J    |        | 77   |        |       |      | PIN, Brake Shoe Hold Down          |
| 7    | 4762 125    | 2   | J    |        | 77   |        |       |      | CLIP, Parking Brake Hold Down      |
| 8    | 5093 391AA  | 1   | J    |        | 77   |        |       |      | ADJUSTER, Parking Brake            |
| 9    | 4762 116    | 1   | J    |        | 77   |        |       |      | SPRING, Park Brake Shoe Return     |
| 10   | 4762 121    | 1   | J    |        | 77   |        |       |      | PLUG, Brake Adjusting Hole         |
| 11   | 5093 394AB  | 4   | J    |        | 77   |        |       |      | SLIPPER, Caliper                   |
| 12   | 5093 395AA  | 1   | J    |        | 77   |        |       |      | BOOT, Parking Brake Lever          |

**JEEP WRANGLER (TJ)**

|             |                        |              |                       |                              |
|-------------|------------------------|--------------|-----------------------|------------------------------|
| SERIES      | LINE                   | BODY         | ENGINE                | TRANSMISSION                 |
| H = Sport   | J = Wrangler 4WD       | 77 = 93.4 WB | ED1, ED0 = 2.4L DOHC  | DGG, DGD = 32RH 3 Spd. Auto. |
| L = SE      | U = Wrangler 4WD (RHD) |              | ERH = 4.0L Power Tech | DDD = 5 Speed HD Manual      |
| M = X       |                        |              |                       | DG0 = Auto. Trans.           |
| P = Sahara  |                        |              |                       | DBB = Manual Trans.          |
| S = Rubicon |                        |              |                       | DDK = 5 Speed Manual         |

AR = Use as required - = Non illustrated part # = New this model year

August 27, 2004

# Group – 005

## Service Brakes

### GROUP 5 - Service Brakes

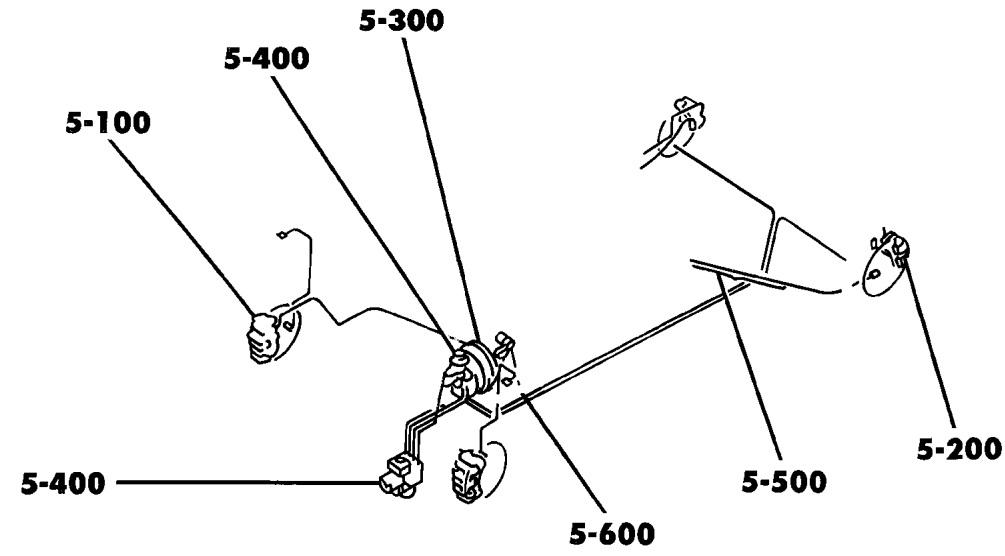


Illustration Title

Group-Fig. No.

#### Front Brakes

Front Brakes ..... Fig. 005-110

#### Rear Brakes

Brakes,Rear,Disc ..... Fig. 005-210

Brakes,Rear,Drum ..... Fig. 005-220

#### Power Brake Booster

Power Brake Booster ..... Fig. 005-310

#### Brake Master Cylinder

Master Cylinder ..... Fig. 005-410

#### Brake Lines and Hoses

Hydraulic Control Unit,Anti-Lock Brake ..... Fig. 005-510

Brake Lines and Hoses,Front,LHD Without ABS ..... Fig. 005-520

Brake Lines and Hoses,Front,LHD With ABS ..... Fig. 005-530

Brake Lines and Hoses,Front,RHD,With or Without ABS ..... Fig. 005-540

Brake Lines and Hoses,Rear,Without ABS ..... Fig. 005-550

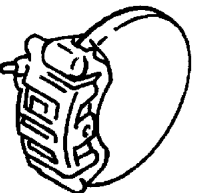
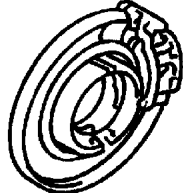
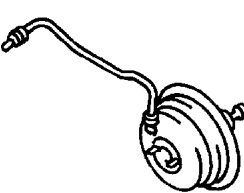
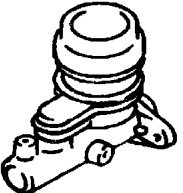
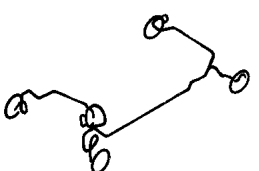

Brake Lines and Hoses,Rear,With ABS ..... Fig. 005-560

Rear Axle Brake Sensor Wiring Brackets and Fasteners ..... Fig. 005-570

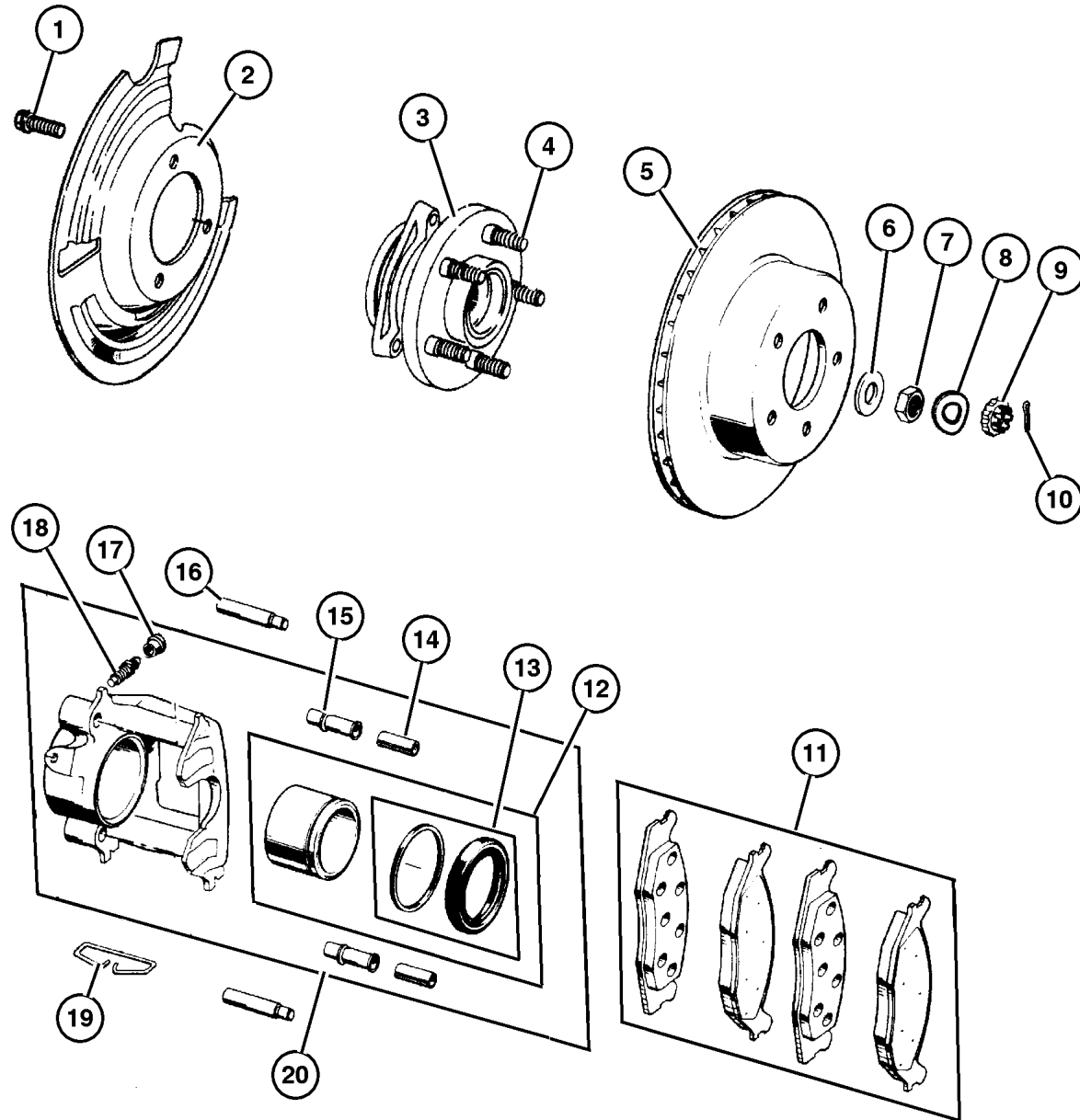
#### Brake Pedals

Brake Pedal,LHD ..... Fig. 005-610

Brake Pedal,RHD ..... Fig. 005-620

|   |  |  |   |
|---|--|--|---|
| <p><b>005-100</b><br/>Front Brakes</p>           | <p><b>005-200</b><br/>Rear Brakes</p>   | <p><b>005-300</b><br/>Power Brake Booster</p>  | <p><b>005-400</b><br/>Brake Master Cylinder</p>  |
| <p><b>005-500</b><br/>Brake Lines and Hoses</p>  | <p><b>005-600</b><br/>Brake Pedals</p>  |  |   |

## Front Brakes Figure 005-110



| ITEM | PART NUMBER | QTY | LINE | SERIES | BODY | ENGINE | TRANS | TRIM | DESCRIPTION                                  |
|------|-------------|-----|------|--------|------|--------|-------|------|--|
| 1    | 3420 1535   | 6   | J    |        |      |        |       |      | BOLT<br>Knuckle to Hub and Bearing, Mounting |
|      |             | 6   | U    |        | 77   |        |       |      | Knuckle to Hub and Bearing, Mounting         |
| 2    | 5200 5476   | 1   | J    |        |      |        |       |      | SHIELD, Brake<br>Right                       |
|      | 5200 5477   | 1   | J    |        |      |        |       |      | Left   |
|      | 5200 5476   | 1   | U    |        | 77   |        |       |      | Right  |
|      | 5200 5477   | 1   | U    |        | 77   |        |       |      | Left   |
| 3    | 5016 458AA  | 2   | J    |        |      |        |       |      | HUB AND BEARING, Brake                       |
|      |             | 2   | U    |        | 77   |        |       |      |  |
| 4    | 6036 482AA  | 10  | J    |        |      |        |       |      | STUD, Hub                                    |
|      |             | 10  | U    |        | 77   |        |       |      |  |
| 5    | 5016 434AA  | 2   | J    |        |      |        |       |      | ROTOR, Brake                                 |
|      |             | 2   | U    |        | 77   |        |       |      |  |
| 6    | J420 0096   | 2   | J    |        |      |        |       |      | WASHER, Flat                                 |
|      |             | 2   | U    |        | 77   |        |       |      |  |
| 7    | J420 0095   | 2   | J    |        |      |        |       |      | NUT, Hex                                     |
|      |             | 1   | U    |        | 77   |        |       |      |  |
| 8    | 4740 749    | 2   | J    |        |      |        |       |      | WASHER, Wave                                 |
|      |             | 2   | U    |        | 77   |        |       |      |  |
| 9    | J420 0097   | 2   | J    |        |      |        |       |      | RETAINER, Hub Nut                            |
|      |             | 2   | U    |        | 77   |        |       |      |  |
| 10   | 1101 0069   | 2   | J    |        |      |        |       |      | PIN, Cotter, M4x40.00                        |
|      |             | 2   | U    |        | 77   |        |       |      |  |
| 11   | 4883 344AD  | 1   | J    |        |      |        |       |      | PAD KIT, Front Disc Brake                    |
|      |             | 1   | U    |        | 77   |        |       |      |  |
| 12   | 5252 614    | 2   | J    |        |      |        |       |      | PISTON, Brake                                |
|      |             | 2   | U    |        | 77   |        |       |      |  |
| 13   |             |     |      |        |      |        |       |      | BOOT AND SEAL, Disc Brake                    |

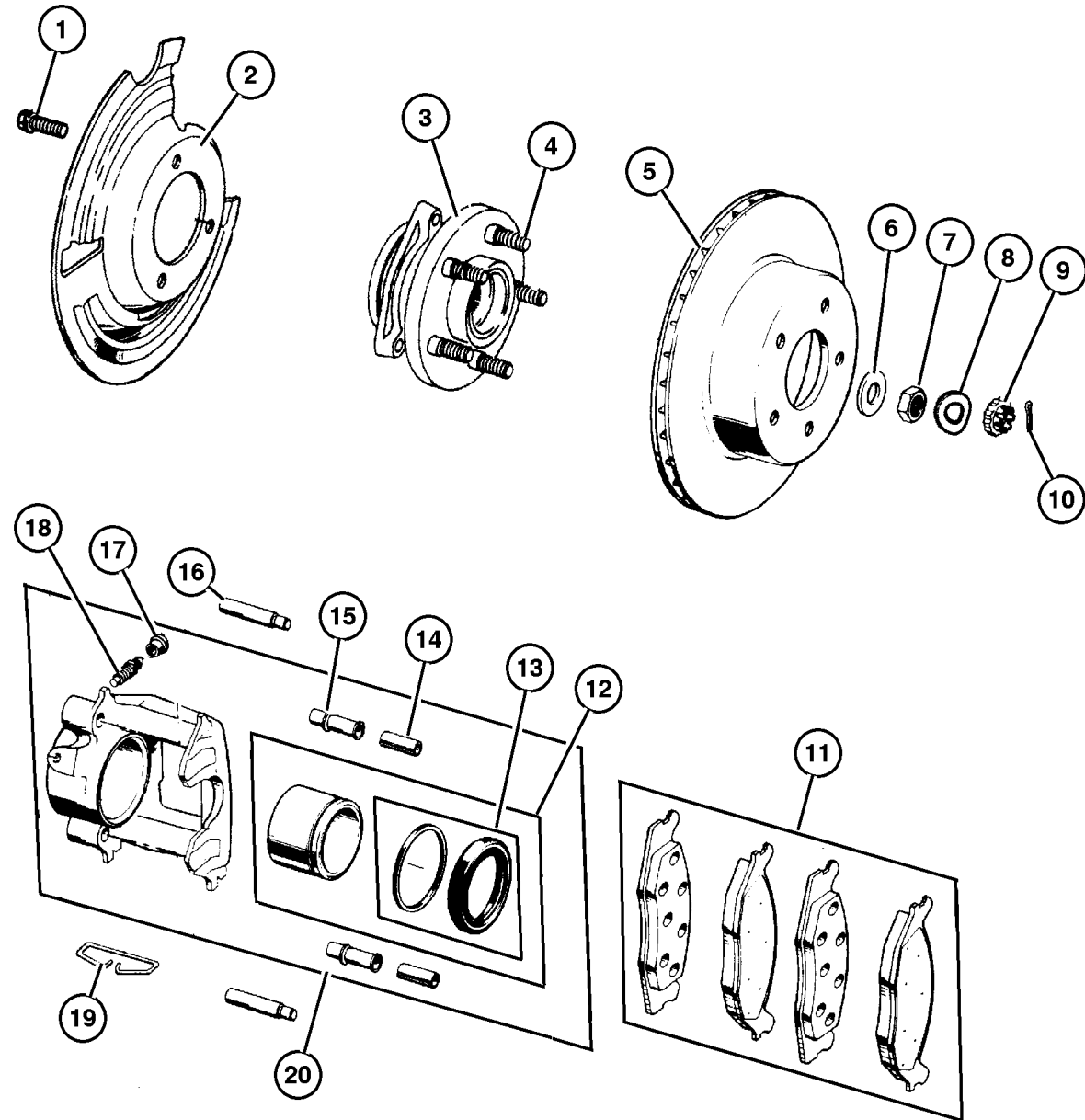
**JEEP WRANGLER (TJ)**

|             |                        |              |                       |                              |
|-------------|------------------------|--------------|-----------------------|------------------------------|
| SERIES      | LINE                   | BODY         | ENGINE                | TRANSMISSION                 |
| H = Sport   | J = Wrangler 4WD       | 77 = 93.4 WB | ED1, ED0 = 2.4L DOHC  | DGG, DGD = 32RH 3 Spd. Auto. |
| L = SE      | U = Wrangler 4WD (RHD) |              | ERH = 4.0L Power Tech | DDD = 5 Speed HD Manual      |
| M = X       |                        |              |                       | DG0 = Auto. Trans.           |
| P = Sahara  |                        |              |                       | DBB = Manual Trans.          |
| S = Rubicon |                        |              |                       | DDK = 5 Speed Manual         |

AR = Use as required - = Non illustrated part # = New this model year

August 27, 2004

## Front Brakes Figure 005-110



| ITEM | PART NUMBER | QTY | LINE | SERIES | BODY | ENGINE | TRANS | TRIM | DESCRIPTION                             |
|------|-------------|-----|------|--------|------|--------|-------|------|---|
|      | J813 3852   | 2   | J    |        |      |        |       |      |   |
|      |             | 2   | U    |        | 77   |        |       |      |   |
| 14   |             |     |      |        |      |        |       |      | BUSHING, Disc Brake Caliper             |
|      | 4383 471    | 4   | J    |        |      |        |       |      |   |
|      |             | 4   | U    |        | 77   |        |       |      |   |
| 15   |             |     |      |        |      |        |       |      | SLEEVE, Disc Brake Caliper              |
|      | 4423 573    | 4   | J    |        |      |        |       |      |   |
|      |             | 4   | U    |        | 77   |        |       |      |   |
| 16   |             |     |      |        |      |        |       |      | PIN, Caliper                            |
|      | 5253 000    | 1   | J    |        |      |        |       |      |   |
|      |             | 1   | U    |        | 77   |        |       |      |   |
| 17   |             |     |      |        |      |        |       |      | CAP, Bleeder                            |
|      | 4238 717    | 1   | J    |        |      |        |       |      |   |
|      |             | 1   | U    |        | 77   |        |       |      |   |
| 18   |             |     |      |        |      |        |       |      | SCREW, Bleeder                          |
|      | J320 3313   | 2   | J    |        |      |        |       |      |   |
|      |             | 2   | U    |        | 77   |        |       |      |   |
| 19   |             |     |      |        |      |        |       |      | CLIP, Brake Caliper                     |
|      | J323 9865   | 4   | J    |        |      |        |       |      |   |
|      |             | 4   | U    |        | 77   |        |       |      |   |
| 20   |             |     |      |        |      |        |       |      | CALIPER, Disc Brake                     |
|      | 5252 984    | 1   | J    |        |      |        |       |      | Right                                   |
|      | 5252 985    | 1   | J    |        |      |        |       |      | Left                                    |
|      | 5252 984    | 1   | U    |        | 77   |        |       |      | Right                                   |
|      | 5252 985    | 1   | U    |        | 77   |        |       |      | Left                                    |
| -21  |             |     |      |        |      |        |       |      | NUT, Push                               |
|      | 6026 430    | 4   | J    |        |      |        |       |      | Rotor Retainer                          |
|      |             | 4   | U    |        | 77   |        |       |      | Rotor Retainer                          |
| -22  | 5602 7727   | 2   | J    |        |      |        |       |      | SENSOR, Anti-Lock Brakes, Right or Left |

### JEEP WRANGLER (TJ)

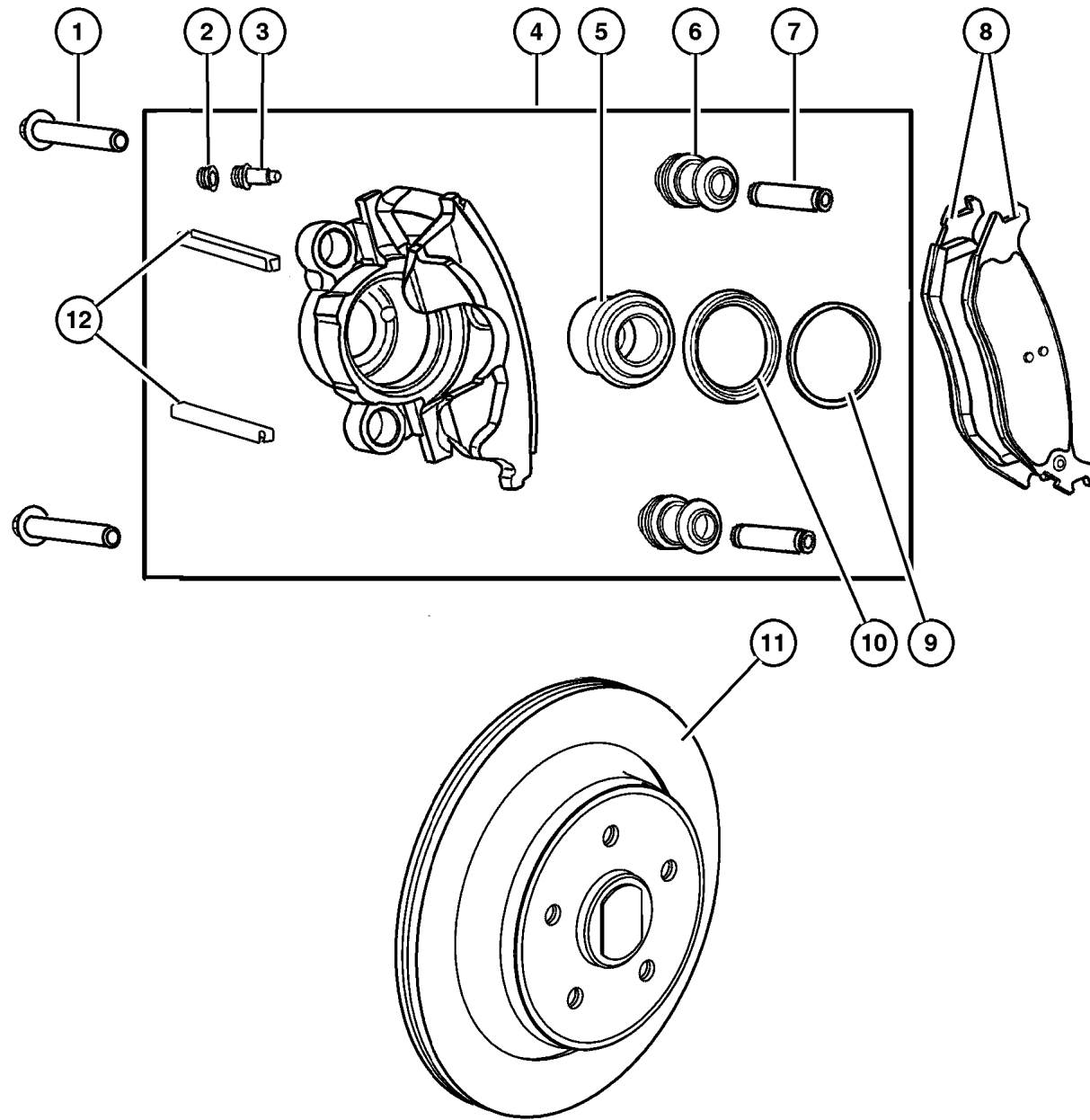
|             |                        |              |                       |                              |
|-------------|------------------------|--------------|-----------------------|------------------------------|
| SERIES      | LINE                   | BODY         | ENGINE                | TRANSMISSION                 |
| H = Sport   | J = Wrangler 4WD       | 77 = 93.4 WB | ED1, ED0 = 2.4L DOHC  | DGG, DGD = 32RH 3 Spd. Auto. |
| L = SE      | U = Wrangler 4WD (RHD) |              | ERH = 4.0L Power Tech | DDD = 5 Speed HD Manual      |
| M = X       |                        |              |                       | DG0 = Auto. Trans.           |
| P = Sahara  |                        |              |                       | DBB = Manual Trans.          |
| S = Rubicon |                        |              |                       | DDK = 5 Speed Manual         |

AR = Use as required - = Non illustrated part # = New this model year

August 27, 2004



Brakes,Rear,Disc  
Figure 005-210



| ITEM | PART NUMBER | QTY | LINE | SERIES | BODY | ENGINE | TRANS | TRIM | DESCRIPTION                  |
|------|-------------|-----|------|--------|------|--------|-------|------|------------------------------|
| 1    | 5253 000    | 4   | J    |        | 77   |        |       |      | PIN, Caliper                 |
| 2    | 5093 278AA  | 1   | J    |        | 77   |        |       |      | CAP, Bleeder                 |
| 3    | J092 0463   | 1   | J    |        | 77   |        |       |      | BLEEDER SCREW, Brake         |
| 4    | 5093 542AA  | 1   | J    |        | 77   |        |       |      | CALIPER, Disc Brake<br>Right |
|      | 5093 543AA  | 1   | J    |        | 77   |        |       |      | Left                         |
| 5    | 5093 275AA  | 1   | J    |        | 77   |        |       |      | PISTON, Brake                |
| 6    | 4762 106    | 2   | J    |        | 77   |        |       |      | BUSHING, Caliper             |
| 7    | 4762 105    | 2   | J    |        | 77   |        |       |      | SLEEVE, Brake Caliper        |
| 8    | 5093 511AB  | 1   | J    |        | 77   |        |       |      | PAD KIT, Disc Brake          |
| 9    | 5093 276AA  | 1   | J    |        | 77   |        |       |      | SEAL, Caliper Piston         |
| 10   | 5093 277AA  | 1   | J    |        | 77   |        |       |      | BOOT, Brake Piston           |
| 11   | 52128 411AA | 2   | J    |        | 77   |        |       |      | ROTOR, Brake                 |
| 12   | 5093 394AB  | 4   | J    |        | 77   |        |       |      | SLIPPER, Caliper             |

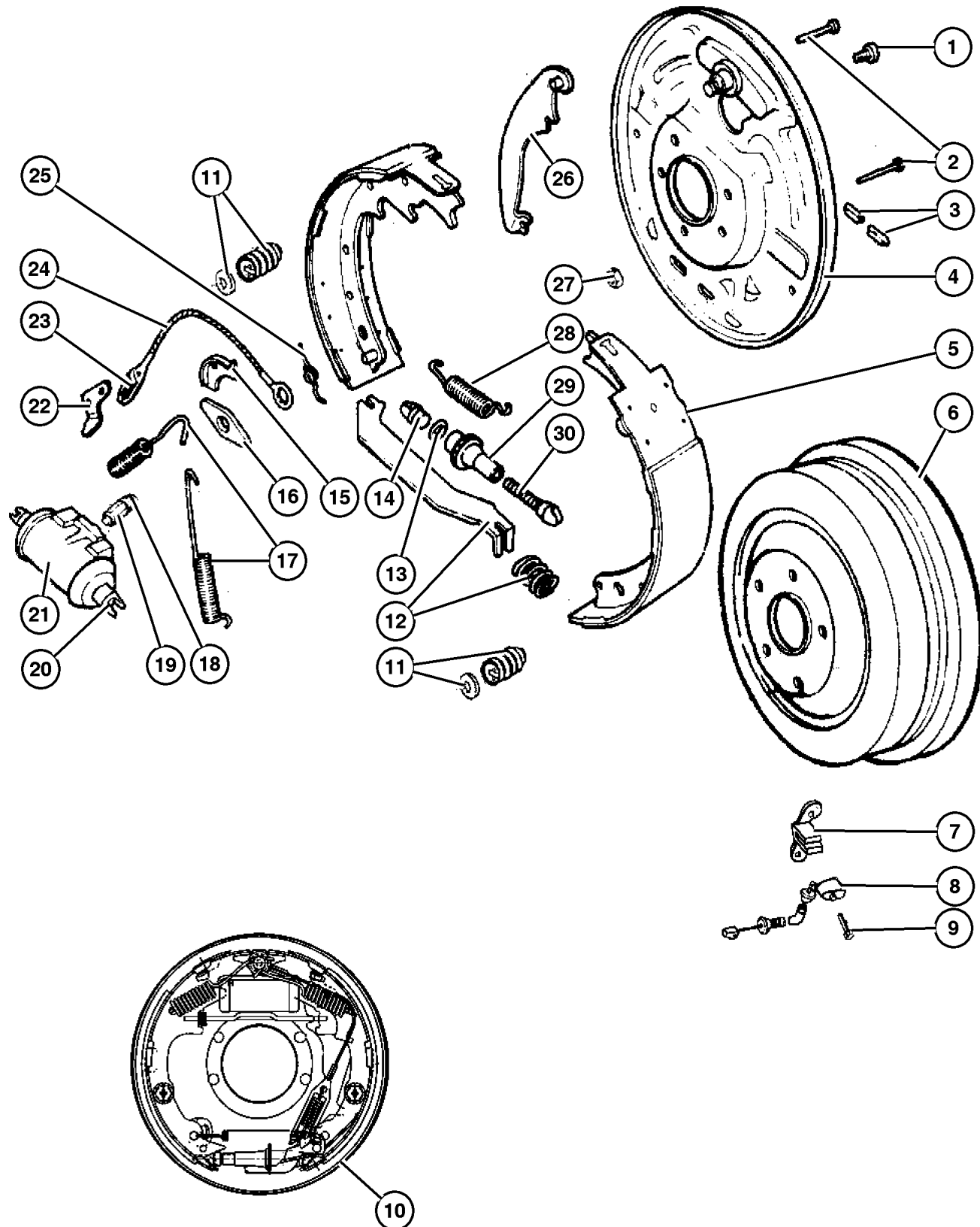
JEEP WRANGLER (TJ)

|             |                        |              |                       |                                 |
|-------------|------------------------|--------------|-----------------------|---------------------------------|
| SERIES      | LINE                   | BODY         | ENGINE                | TRANSMISSION                    |
| H = Sport   | J = Wrangler 4WD       | 77 = 93.4 WB | ED1, ED0 = 2.4L DOHC  | DGG, DGD = 32RH 3 Spd.<br>Auto. |
| L = SE      | U = Wrangler 4WD (RHD) |              | ERH = 4.0L Power Tech | DDD = 5 Speed HD Manual         |
| M = X       |                        |              |                       | DG0 = Auto. Trans.              |
| P = Sahara  |                        |              |                       | DBB = Manual Trans.             |
| S = Rubicon |                        |              |                       | DDK = 5 Speed Manual            |

AR = Use as required - = Non illustrated part # = New this model year

August 27, 2004

Brakes,Rear,Drum  
Figure 005-220



| ITEM                                     | PART NUMBER | QTY | LINE | SERIES | BODY | ENGINE | TRANS | TRIM | DESCRIPTION                     |
|--|-------------|-----|------|--------|------|--------|-------|------|---------------------------------|
| Note:Sales Codes;                        |             |     |      |        |      |        |       |      |                                 |
| BGA=Brakes,- Power Front Disc/Rear Drums |             |     |      |        |      |        |       |      |                                 |
| BGK=Brakes - 4-Wheel Antilock            |             |     |      |        |      |        |       |      |                                 |
| 1  | 4423 678    | 2   | J    |        | 77   |        |       |      | BOLT, Wheel Cylinder Mounting   |
|  |             | 2   | U    |        | 77   |        |       |      | Mounting                        |
| 2  | 2260 548    | 2   | J    |        | 77   |        |       |      | PIN, Brake Shoe Hold Down       |
|  |             | 2   | U    |        | 77   |        |       |      |                                 |
| 3  | 4238 721    | 1   | J    |        | 77   |        |       |      | PLUG, Brake Adjusting Hole      |
|  |             | 1   | U    |        | 77   |        |       |      |                                 |
| 4  | 5017 760AA  | 1   | J    |        | 77   |        |       |      | PLATE, Brake Backing            |
|  | 5017 761AA  | 1   | J    |        | 77   |        |       |      | [BGA], Right                    |
|  | 5017 760AA  | 1   | U    |        | 77   |        |       |      | [BGA], Left                     |
|  | 5017 761AA  | 1   | U    |        | 77   |        |       |      | [BGA], Right                    |
|  | 5017 761AA  | 1   | U    |        | 77   |        |       |      | [BGA], Left                     |
| 5  | 5019 536AA  | 1   | J    |        | 77   |        |       |      | SHOE AND LINING KIT, drum       |
|  |             | 1   | U    |        | 77   |        |       |      |                                 |
| 6  | 5200 5350   | 2   | J    |        | 77   |        |       |      | DRUM, Brake                     |
|  |             | 2   | U    |        | 77   |        |       |      |                                 |
| 7  | 5135 218AA  | 1   | J    |        | 77   |        |       |      | BRACKET, Brake Sensor           |
|  | 5135 219AA  | 1   | J    |        | 77   |        |       |      | Right                           |
|  |             |     |      |        |      |        |       |      | Left                            |
| 8  | 5602 7728   | 1   | J    |        | 77   |        |       |      | SENSOR, Anti-Lock Brakes        |
|  | 5602 7729   | 1   | J    |        | 77   |        |       |      | Right                           |
|  |             |     |      |        |      |        |       |      | Left                            |
| 9  | 5016 372AA  | 2   | U    |        | 77   |        |       |      | BOLT                            |
| 10                                       | 52008 664AC | 1   | J    |        | 77   |        |       |      | BRAKE ASSEMBLY, Rear Drum       |
|  | 52008 665AC | 1   | J    |        | 77   |        |       |      | [BGA] Complete Less Drum, Right |
|  | 52008 664AC | 1   | U    |        | 77   |        |       |      | [BGA] Complete Less Drum, Left  |
|  | 52008 665AC | 1   | U    |        | 77   |        |       |      | [BGA] Complete Less Drum, Right |
|  | 52008 665AC | 1   | U    |        | 77   |        |       |      | [BGA] Complete Less Drum, Left  |
| 11                                       | 4313 062    | 2   | J    |        | 77   |        |       |      | SPRING, Brake Shoe Hold Down    |
|  |             | 2   | U    |        | 77   |        |       |      |                                 |
| 12                                       | 4713 590    | 1   | J    |        | 77   |        |       |      | STRUT, Parking Brake            |
|  |             | 1   | U    |        | 77   |        |       |      |                                 |
| 13                                       |             |     |      |        |      |        |       |      | WASHER, Adjuster Button         |

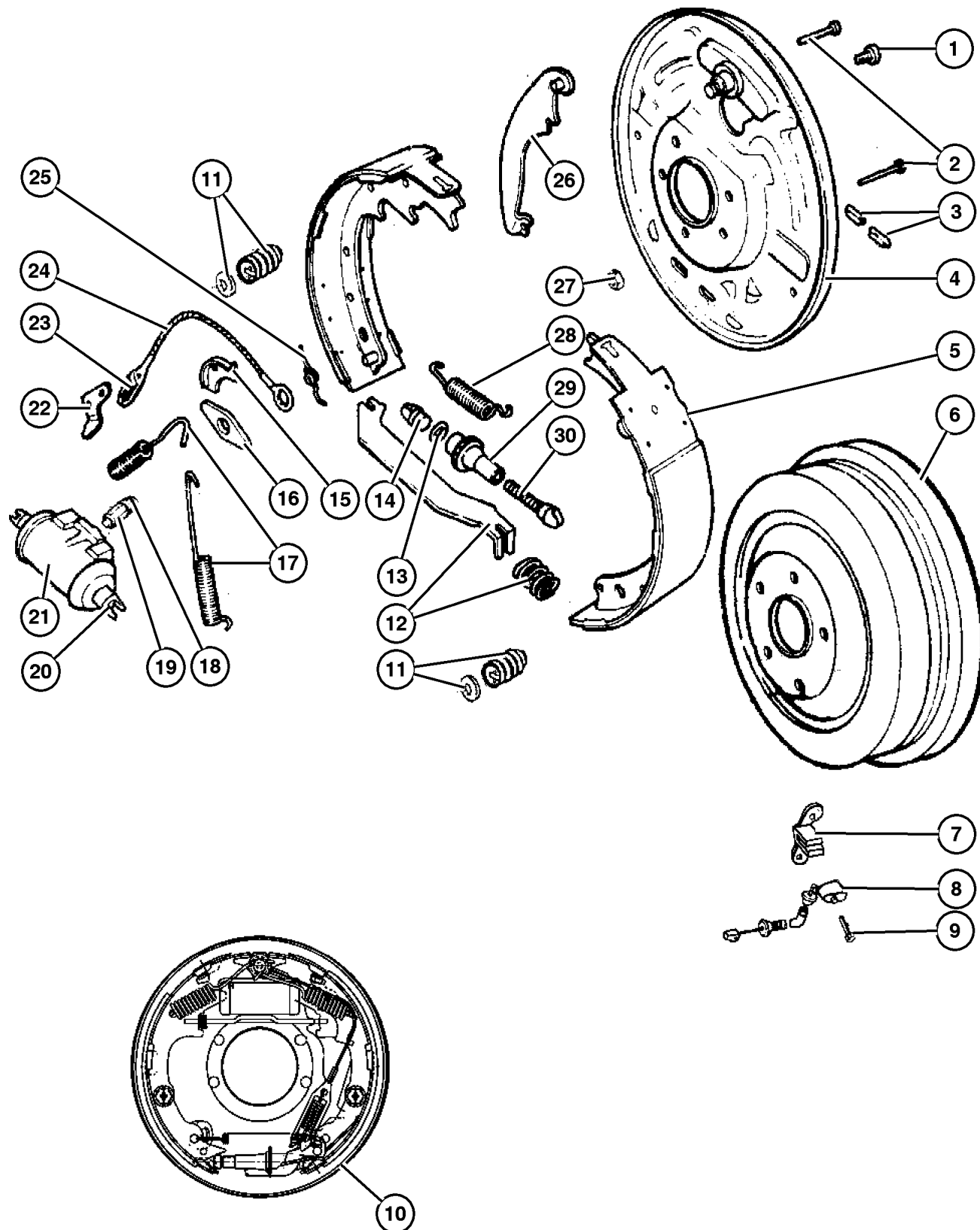
JEEP WRANGLER (TJ)

| SERIES      | LINE                   | BODY         | ENGINE                | TRANSMISSION                 |
|-------------|------------------------|--------------|-----------------------|------------------------------|
| H = Sport   | J = Wrangler 4WD       | 77 = 93.4 WB | ED1, ED0 = 2.4L DOHC  | DGG, DGD = 32RH 3 Spd. Auto. |
| L = SE      | U = Wrangler 4WD (RHD) |              | ERH = 4.0L Power Tech | DDD = 5 Speed HD Manual      |
| M = X       |                        |              |                       | DG0 = Auto. Trans.           |
| P = Sahara  |                        |              |                       | DBB = Manual Trans.          |
| S = Rubicon |                        |              |                       | DDK = 5 Speed Manual         |

AR = Use as required - = Non illustrated part # = New this model year

August 27, 2004

Brakes,Rear,Drum  
Figure 005-220



| ITEM | PART NUMBER | QTY | LINE | SERIES | BODY | ENGINE | TRANS | TRIM | DESCRIPTION                       |
|------|-------------|-----|------|--------|------|--------|-------|------|-----------------------------------|
|      | 6027 559    | 1   | J    |        | 77   |        |       |      |                                   |
| 14   |             | 1   | U    |        | 77   |        |       |      | BUTTON, Rear Brake Auto Adjust    |
|      | 2944 586    | 1   | J    |        | 77   |        |       |      |                                   |
|      |             | 1   | U    |        | 77   |        |       |      |                                   |
| 15   |             | 1   | J    |        | 77   |        |       |      | GUIDE, Brake Adjusting Cable      |
|      | 4313 074    | 1   | J    |        | 77   |        |       |      |                                   |
|      |             | 1   | U    |        | 77   |        |       |      |                                   |
| 16   |             | 1   | J    |        | 77   |        |       |      | PLATE, Brake Shoe Guide           |
|      | 4313 075    | 1   | J    |        | 77   |        |       |      |                                   |
|      |             | 1   | U    |        | 77   |        |       |      |                                   |
| 17   |             | 2   | J    |        | 77   |        |       |      | SPRING, Brake Shoe Return         |
|      | 2881 676    | 2   | J    |        | 77   |        |       |      |                                   |
|      |             | 2   | U    |        | 77   |        |       |      |                                   |
| 18   |             | 1   | J    |        | 77   |        |       |      | CAP, Bleeder                      |
|      | 4238 717    | 1   | J    |        | 77   |        |       |      |                                   |
|      |             | 1   | U    |        | 77   |        |       |      |                                   |
| 19   |             | 1   | J    |        | 77   |        |       |      | BLEEDER SCREW, Brake              |
|      | 3766 674    | 1   | J    |        | 77   |        |       |      |                                   |
|      |             | 1   | U    |        | 77   |        |       |      |                                   |
| 20   |             | 1   | J    |        | 77   |        |       |      | LINK, Brake, Purchase Wheel       |
|      |             | 1   | U    |        | 77   |        |       |      | Cylinder, (NOT REQUIRED)          |
| 21   |             | 1   | J    |        | 77   |        |       |      | CYLINDER, Wheel                   |
|      | 4313 056    | 1   | J    |        | 77   |        |       |      |                                   |
|      |             | 1   | U    |        | 77   |        |       |      |                                   |
| 22   |             | 1   | J    |        | 77   |        |       |      | LEVER, Park Brake Adjusting       |
|      | 4761 759    | 1   | J    |        | 77   |        |       |      |                                   |
|      |             | 1   | U    |        | 77   |        |       |      |                                   |
| 23   |             | 1   | J    |        | 77   |        |       |      | SPRING, Adjuster Cable            |
|      | 3461 660    | 1   | J    |        | 77   |        |       |      |                                   |
|      |             | 1   | U    |        | 77   |        |       |      |                                   |
| 24   |             | 1   | J    |        | 77   |        |       |      | CABLE, Brake Automatic Adjuster   |
|      | 3461 662    | 1   | J    |        | 77   |        |       |      |                                   |
|      |             | 1   | U    |        | 77   |        |       |      |                                   |
| 25   |             | 1   | J    |        | 77   |        |       |      | SPRING, Brake Auto Adjuster Lever |
|      | 2944 581    | 1   | J    |        | 77   |        |       |      | Left                              |
|      | 2944 580    | 1   | J    |        | 77   |        |       |      | Right                             |
|      | 2944 581    | 1   | U    |        | 77   |        |       |      | Left                              |
|      | 2944 580    | 1   | U    |        | 77   |        |       |      | Right                             |
| 26   |             | 1   | J    |        | 77   |        |       |      | LEVER, Park Brake                 |
|      | 4313 810    | 1   | J    |        | 77   |        |       |      | Right                             |

JEEP WRANGLER (TJ)

SERIES  
H = Sport  
L = SE  
M = X  
P = Sahara  
S = Rubicon

LINE  
J = Wrangler 4WD  
U = Wrangler 4WD (RHD)

BODY  
77 = 93.4 WB

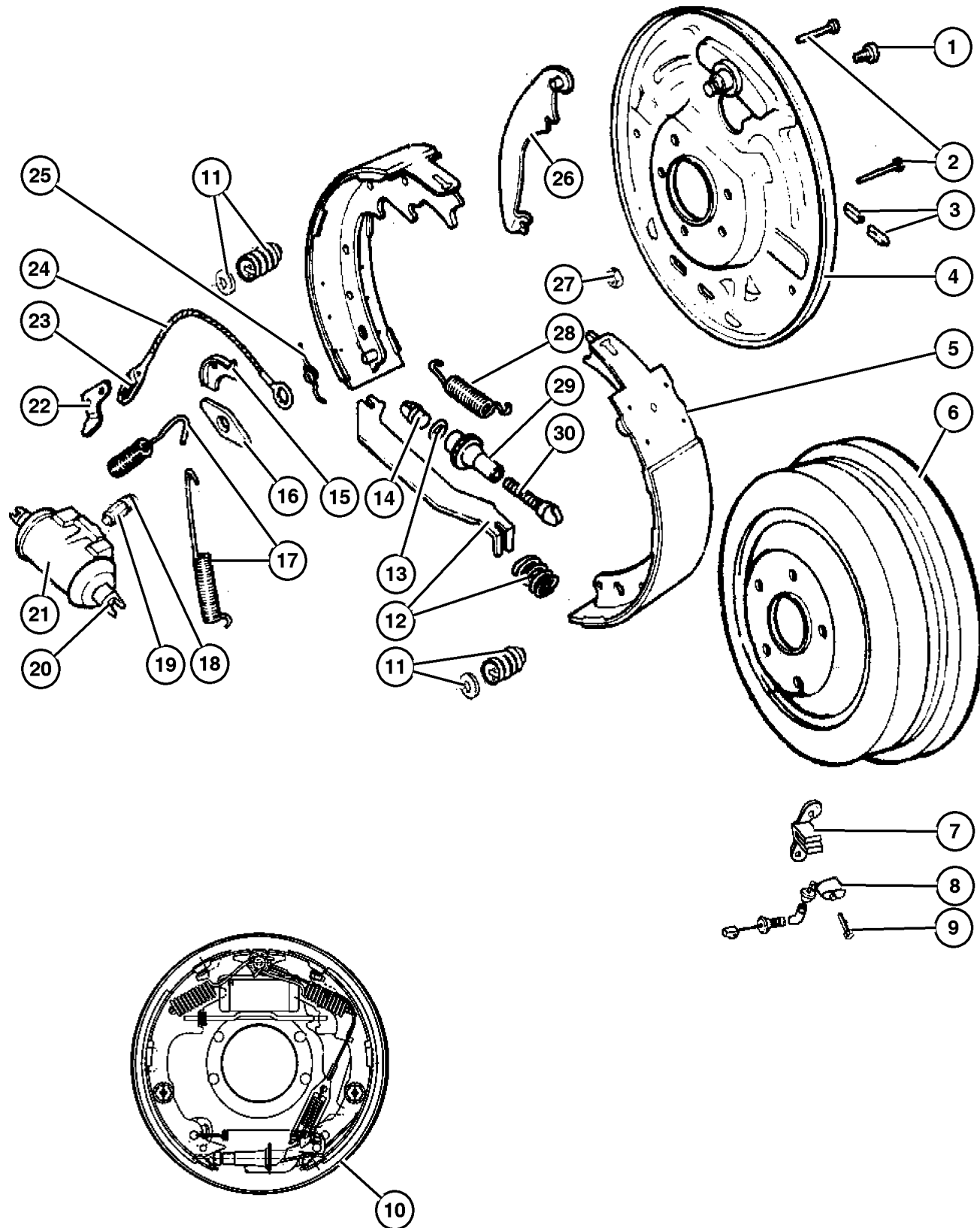
ENGINE  
ED1, ED0 = 2.4L DOHC  
ERH = 4.0L Power Tech

TRANSMISSION  
DGG, DGD = 32RH 3 Spd.  
Auto.  
DDD = 5 Speed HD Manual  
DGO = Auto. Trans.  
DBB = Manual Trans.  
DDK = 5 Speed Manual

AR = Use as required - = Non illustrated part # = New this model year

August 27, 2004

Brakes,Rear,Drum  
Figure 005-220



| ITEM | PART NUMBER | QTY | LINE | SERIES | BODY | ENGINE | TRANS | TRIM | DESCRIPTION                                |
|------|-------------|-----|------|--------|------|--------|-------|------|--|
|      | 4313 811    | 1   | J    |        | 77   |        |       |      | Left                                       |
|      |             | 1   | U    |        | 77   |        |       |      | Left                                       |
| 27   | 4313 810    | 1   | U    |        | 77   |        |       |      | Right                                      |
|      |             |     |      |        |      |        |       |      | NUT  |
|      | 6034 988    | 8   | J    |        | 77   |        |       |      | Backing Plate to Axle Housing,<br>Mounting |
|      |             | 8   | U    |        | 77   |        |       |      | Mounting<br>SPRING, Brake Shoe to Shoe     |
| 28   | 4423 085    | 1   | J    |        | 77   |        |       |      |  |
|      |             | 1   | U    |        | 77   |        |       |      |  |
| 29   |             |     |      |        |      |        |       |      | NUT, Rear Brake Auto Adjust Pivot          |
|      | 2944 692    | 1   | J    |        | 77   |        |       |      | Right                                      |
|      | 2944 693    | 1   | J    |        | 77   |        |       |      | Left                                       |
|      |             | 1   | U    |        | 77   |        |       |      | Left                                       |
| 30   | 2944 692    | 1   | U    |        | 77   |        |       |      | Right                                      |
|      |             |     |      |        |      |        |       |      | SCREW, Brake Adjusting                     |
|      | 4423 898    | 1   | J    |        | 77   |        |       |      | Right                                      |
|      | 4423 899    | 1   | J    |        | 77   |        |       |      | Left                                       |
|      | 4423 898    | 1   | U    |        | 77   |        |       |      | Right                                      |
|      | 4423 899    | 1   | U    |        | 77   |        |       |      | Left                                       |
| -31  |             |     |      |        |      |        |       |      | SCREW, Brake Adjusting                     |
|      | 4423 900    | 1   | J    |        | 77   |        |       |      | Consists of Items 15,16,31,32,<br>Right    |
|      | 4423 901    | 1   | J    |        | 77   |        |       |      | Consists of Items 15,16,31,32, Left        |

JEEP WRANGLER (TJ)

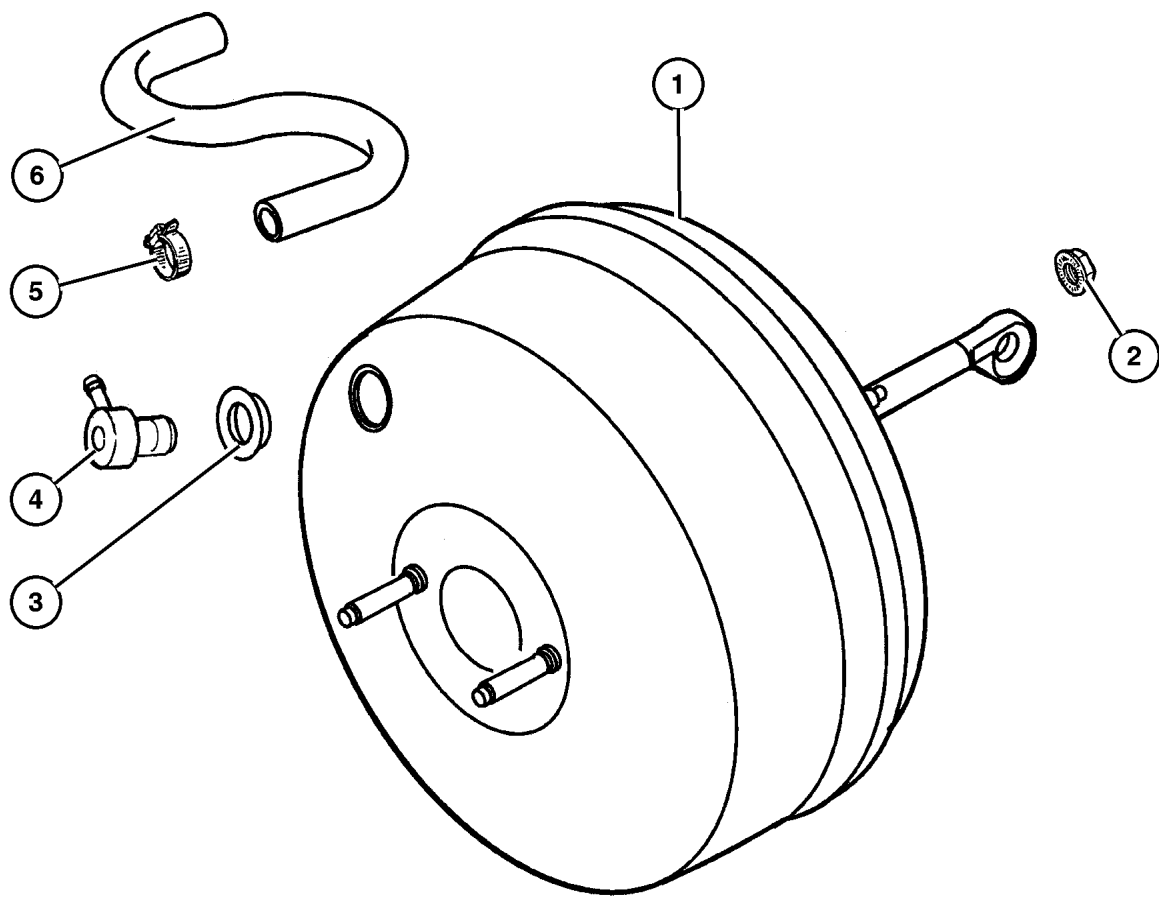
| SERIES      | LINE                   | BODY         | ENGINE                | TRANSMISSION                    |
|-------------|------------------------|--------------|-----------------------|---------------------------------|
| H = Sport   | J = Wrangler 4WD       | 77 = 93.4 WB | ED1, ED0 = 2.4L DOHC  | DGG, DGD = 32RH 3 Spd.<br>Auto. |
| L = SE      | U = Wrangler 4WD (RHD) |              | ERH = 4.0L Power Tech | DDD = 5 Speed HD Manual         |
| M = X       |                        |              |                       | DG0 = Auto. Trans.              |
| P = Sahara  |                        |              |                       | DBB = Manual Trans.             |
| S = Rubicon |                        |              |                       | DDK = 5 Speed Manual            |

AR = Use as required - = Non illustrated part # = New this model year

August 27, 2004

**Power Brake Booster  
Figure 005-310**

| ITEM                                    | PART NUMBER | QTY | LINE | SERIES | BODY | ENGINE | TRANS | TRIM | DESCRIPTION  |
|---|-------------|-----|------|--------|------|--------|-------|------|--|
| Note:Sales Codes;                       |             |     |      |        |      |        |       |      |  |
| [EP0]=Engines - All 2.5L 4 Cylinder Gas |             |     |      |        |      |        |       |      |  |
| [ER0]=Engines - All 4.0L 6 Cylinder Gas |             |     |      |        |      |        |       |      |  |
| 1                                       | 4798 158AC  | 1   |      |        |      |        |       |      | BOOSTER, Power Brake   |
| 2                                       | J400 3909   | 4   |      |        |      |        |       |      | NUT, Hex Flange With Serration,<br>Booster to Dash, Mounting |
| 3                                       | 4883 813AA  | 1   |      |        |      |        |       |      | GROMMET, Brake Booster Check<br>Valve                        |
| 4                                       | 4584 098    | 1   |      |        |      |        |       |      | VALVE, Brake Booster Check                                   |
| 5                                       | 5304 1045   | 1   | J    |        |      |        |       |      | CLAMP, Hose  |
| 6                                       | 52128 433AC | 1   | J    |        |      |        |       |      | HOSE, Brake Booster<br>[ED0]                                 |
|   | 3879 277    | 1   | J    |        |      |        |       |      | [ER0]  |

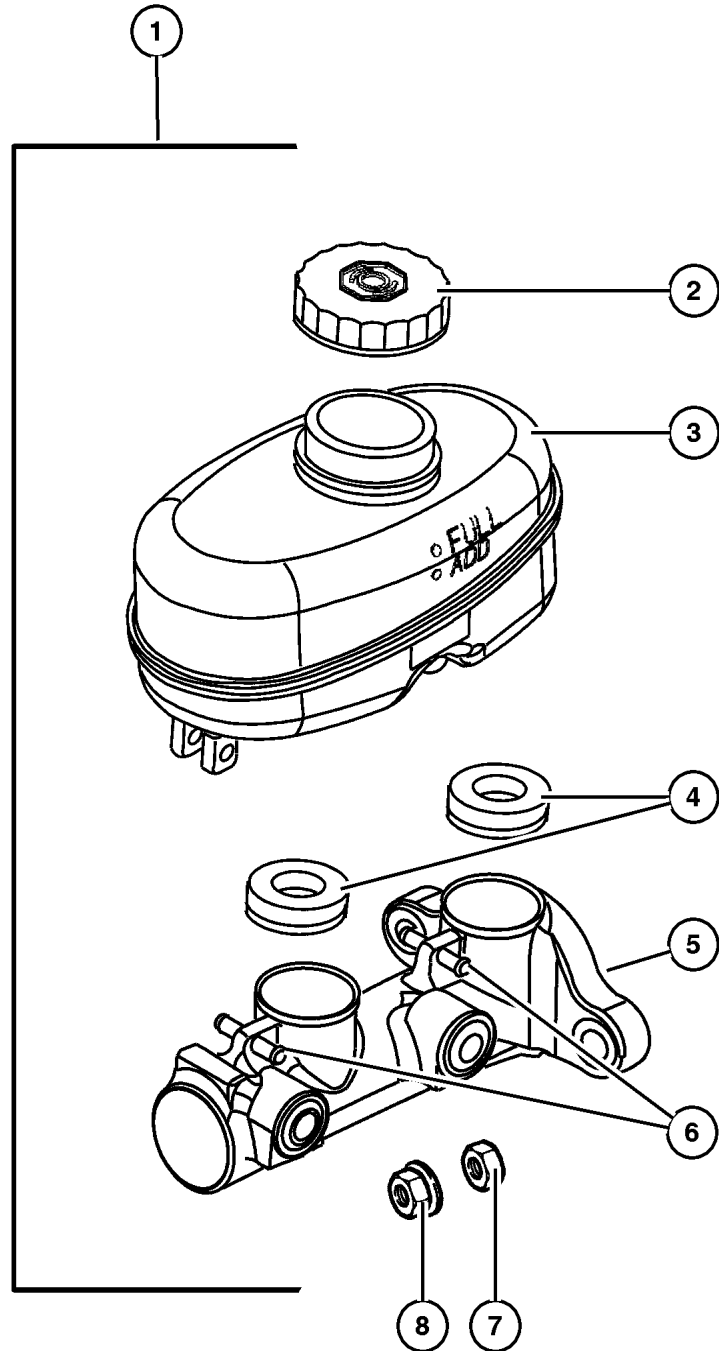


|                           |                        |              |                       |                                 |
|---------------------------|------------------------|--------------|-----------------------|---------------------------------|
| <b>JEEP WRANGLER (TJ)</b> |                        |              |                       |                                 |
| SERIES                    | LINE                   | BODY         | ENGINE                | TRANSMISSION                    |
| H = Sport                 | J = Wrangler 4WD       | 77 = 93.4 WB | ED1, ED0 = 2.4L DOHC  | DGG, DGD = 32RH 3 Spd.<br>Auto. |
| L = SE                    | U = Wrangler 4WD (RHD) |              | ERH = 4.0L Power Tech | DDD = 5 Speed HD Manual         |
| M = X                     |                        |              |                       | DG0 = Auto. Trans.              |
| P = Sahara                |                        |              |                       | DBB = Manual Trans.             |
| S = Rubicon               |                        |              |                       | DDK = 5 Speed Manual            |

AR = Use as required - = Non illustrated part # = New this model year

August 27, 2004

**Master Cylinder  
Figure 005-410**



| ITEM | PART NUMBER | QTY | LINE | SERIES | BODY   | ENGINE | TRANS | TRIM | DESCRIPTION   |
|------|-------------|-----|------|--------|--------|--------|-------|------|---|
| 1    | 4798 157    | 1   |      |        |        |        |       |      | MASTER CYLINDER, Brake  |
| 2    | 4683 656    | 1   |      |        |        |        |       |      | CAP, Master Cylinder Reservoir  |
| 3    | 4761 943    | 1   |      |        |        |        |       |      | RESERVOIR, Brake Master Cylinder  |
| 4    | 4723 389    | 2   |      |        |        |        |       |      | GROMMET, Master Cylinder Reservoir  |
| 5    | 4723 395    | 1   |      |        |        |        |       |      | SEAL, Master Cylinder To Booster  |
| 6    | 4723 394    | 2   |      |        |        |        |       |      | PIN, Master Cylinder Reservoir, 4723394                                     |
| 7    | 6502 524    | 2   |      |        |        |        |       |      | NUT, Hex Lock, M8x1.25, Master Cylinder to Brake Booster Stud, Mounting     |
| 8    | 3420 1711   | 2   |      |        | 77, 78 |        |       |      | NUT, Hex Flange, M8x1.25, Combination valve bracket to master cylinder stud |

**JEEP WRANGLER (TJ)**

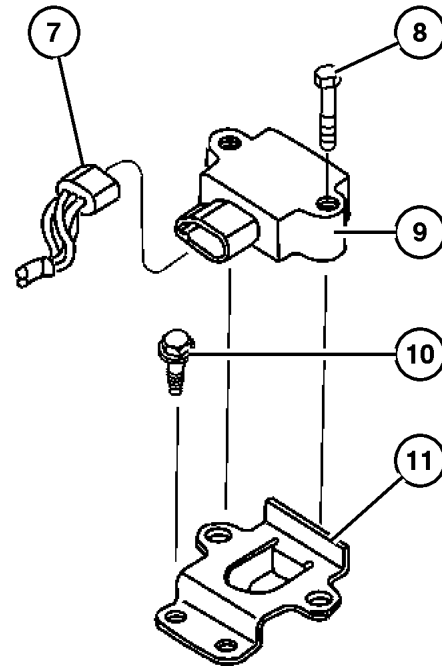
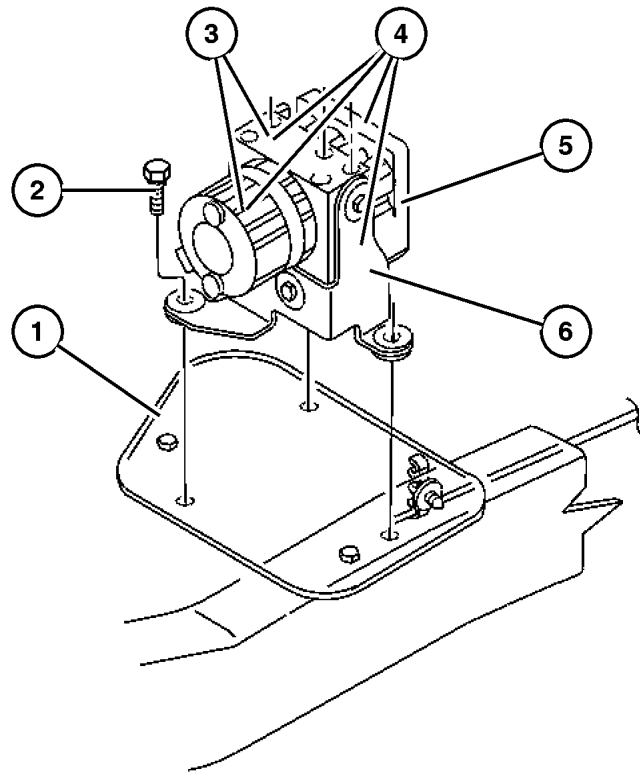
| SERIES      | LINE                   | BODY         | ENGINE                | TRANSMISSION                 |
|-------------|------------------------|--------------|-----------------------|------------------------------|
| H = Sport   | J = Wrangler 4WD       | 77 = 93.4 WB | ED1, ED0 = 2.4L DOHC  | DGG, DGD = 32RH 3 Spd. Auto. |
| L = SE      | U = Wrangler 4WD (RHD) |              | ERH = 4.0L Power Tech | DDD = 5 Speed HD Manual      |
| M = X       |                        |              |                       | DG0 = Auto. Trans.           |
| P = Sahara  |                        |              |                       | DBB = Manual Trans.          |
| S = Rubicon |                        |              |                       | DDK = 5 Speed Manual         |

AR = Use as required - = Non illustrated part # = New this model year

August 27, 2004

**Hydraulic Control Unit, Anti-Lock Brake  
Figure 005-510**

| ITEM | PART NUMBER | QTY | LINE | SERIES | BODY | ENGINE | TRANS | TRIM | DESCRIPTION   |
|------|-------------|-----|------|--------|------|--------|-------|------|---|
| 1    | 55176 141AB | 1   | J    |        |      |        |       |      | BRACKET, abs control unit, Tray   |
| 2    | 3420 1888   | 3   |      |        |      |        |       |      | SCREW, Hex Head, ABS, Mounting  |
| 3    | 5073 778AA  | 1   |      |        |      |        |       |      | HYDRAULIC CONTROL UNIT  |
| 4    | 52128 487AA | 1   |      |        |      |        |       |      | CONTROL UNIT, Anti-Lock Brake, Complete Assembly, Includes Items 3,5,6      |
| 5    | 5073 793AA  | 1   |      |        |      |        |       |      | MODULE, Anti-lock Brakes  |
| 6    | 5066 564AA  | 1   |      |        |      |        |       |      | BRACKET, Brake Control Unit, Mounting                                       |
| 7    |             |     |      |        |      |        |       |      | WIRING, Engine Compartment, See Group 8, (NOT SERVICED) (Not Serviced)      |
| 8    | 6503 343    | 2   |      |        |      |        |       |      | SCREW, ABS Acceleration Switch, Mounting                                    |
| 9    | 56053 025AA | 1   |      |        |      |        |       |      | SWITCH, ABS Acceleration  |
| 10   |             |     |      |        |      |        |       |      | SCREW, Hex Flange Head Tapping, .190-16x.750, (NOT SERVICED) (Not Serviced) |
| 11   | 56053 026AA | 1   |      |        |      |        |       |      | BRACKET, Order Item 9, ABS Acceleration Switch, Mounting                    |



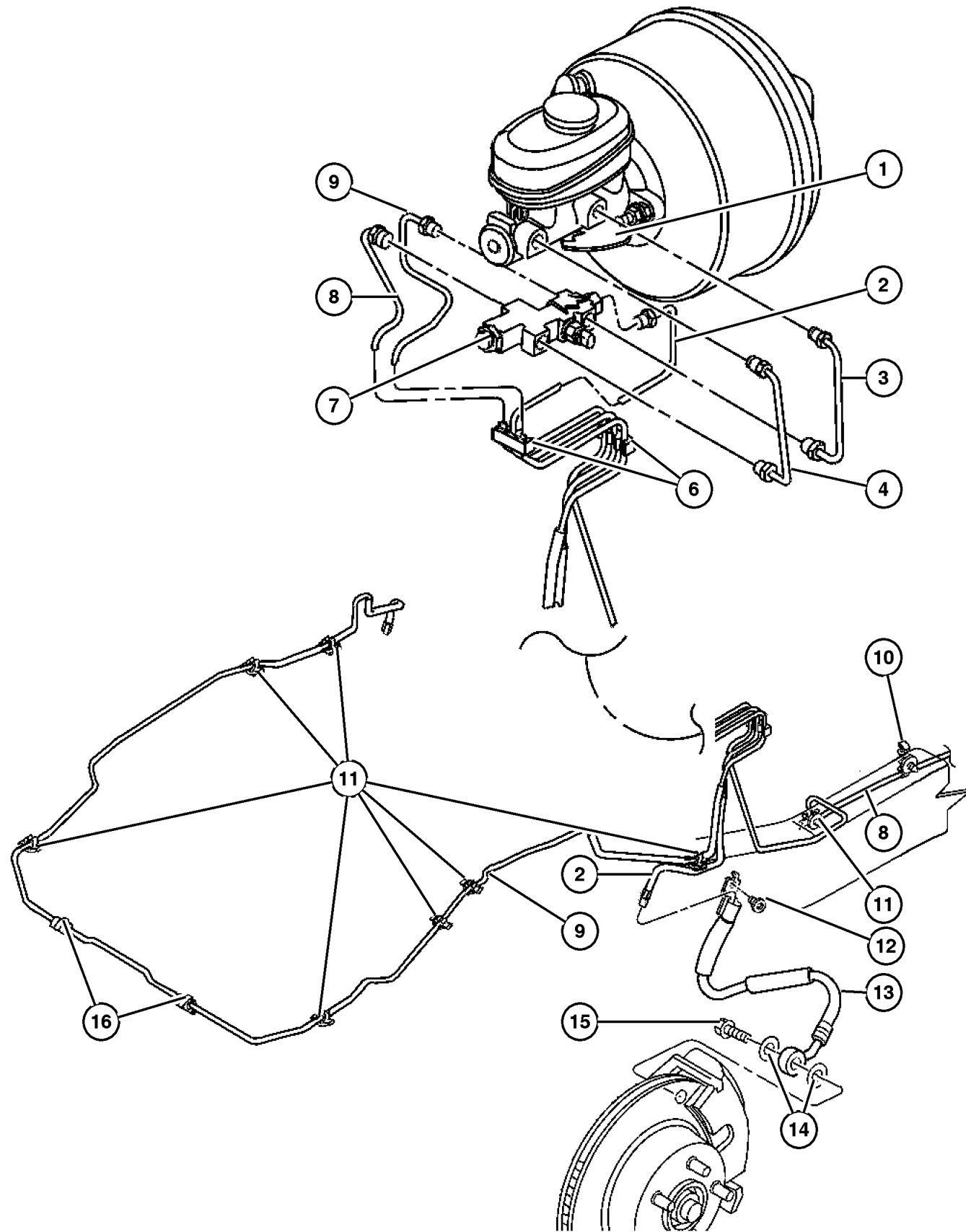
**JEEP WRANGLER (TJ)**

|             |                        |              |                       |                              |
|-------------|------------------------|--------------|-----------------------|------------------------------|
| SERIES      | LINE                   | BODY         | ENGINE                | TRANSMISSION                 |
| H = Sport   | J = Wrangler 4WD       | 77 = 93.4 WB | ED1, ED0 = 2.4L DOHC  | DGG, DGD = 32RH 3 Spd. Auto. |
| L = SE      | U = Wrangler 4WD (RHD) |              | ERH = 4.0L Power Tech | DDD = 5 Speed HD Manual      |
| M = X       |                        |              |                       | DG0 = Auto. Trans.           |
| P = Sahara  |                        |              |                       | DBB = Manual Trans.          |
| S = Rubicon |                        |              |                       | DDK = 5 Speed Manual         |

AR = Use as required - = Non illustrated part # = New this model year

August 27, 2004

**Brake Lines and Hoses,Front,LHD Without ABS**  
**Figure 005-520**



| ITEM | PART NUMBER | QTY | LINE | SERIES | BODY   | ENGINE | TRANS | TRIM | DESCRIPTION   |
|------|-------------|-----|------|--------|--------|--------|-------|------|---|
| 1    | 5212 7970   | 1   |      |        | 77     |        |       |      | BRACKET, Brake Valve  |
|      |             | 1   | J    |        | 78     |        |       |      | [BGA,BRW] Proportioning Valve, Mounting   |
| 2    | 52008 443AB | 1   | J    |        | 77, 78 |        |       |      | [BRW] Proportioning Valve   |
|      |             | 1   | J    |        | 77, 78 |        |       |      | TUBE, Brake, [BGA,BRW]  |
|      |             | 1   |      |        | 77, 78 |        |       |      | Proportioning Valve to Left Front Brake Hose                                      |
| 3    | 52008 398AB | 1   |      |        | 77, 78 |        |       |      | TUBE, Brake, Master Cylinder to Proportioning Valve, Primary                      |
| 4    | 52008 399AB | 1   |      |        | 77, 78 |        |       |      | TUBE, Brake, Master Cylinder to Proportioning Valve, Secondary                    |
| -5   | 6506 182AA  | 1   |      |        | 77, 78 |        |       |      | NUT, Tube, M10 x 1.00, For Item 4   |
| 6    | 6506 155AA  | 2   |      |        |        |        |       |      | CLIP, Brake Tube, Mounting  |
| 7    | 5083 808AA  | 1   |      |        | 77     |        |       |      | VALVE, Proportioning [BGA,BRW]  |
|      | 56052 227AA | 1   | J    |        | 78     |        |       |      | [BRW]   |
| 8    | 52008 385AE | 1   | J    |        | 77     |        |       |      | TUBE, Brake [BGA,BRW] Proportioning Valve to Rear Brake Hose                      |
|      | 56052 350AB | 1   | J    |        | 78     |        |       |      | [BRW]   |
| 9    | 52008 442AD | 1   | J    |        | 77, 78 |        |       |      | TUBE, Brake, [BGA,BGW]  |
|      |             | 1   |      |        |        |        |       |      | Proportioning Valve to Right Front Brake Hose                                     |
| 10   |             |     |      |        |        |        |       |      | CLIP, Quad Tubes, Serviced in Fuel Bundle Assembly, (NOT SERVICED) (Not Serviced) |
| 11   | 3420 2688   | 7   | J    |        |        |        |       |      | CLIP, Latch&Line, Mounting  |
| 12   | 3420 1670   | 2   |      |        |        |        |       |      | SCREW, Pan Head, M8-1.25x13, Brake Hose to Frame, Mounting                        |
| 13   | 52008 674AC | 1   |      |        | 77, 78 |        |       |      | HOSE, Brake Right   |
|      | 52008 675AC | 1   |      |        | 77, 78 |        |       |      | Left  |
| 14   | J323 7672   | 4   |      |        |        |        |       |      | GASKET, Brake Hose To Caliper, Mounting   |
| 15   | 6035 832    | 2   |      |        |        |        |       |      | BOLT, Banjo, Brake Hose to Caliper, Mounting                                      |
| 16   | 5212 8175   | 2   |      |        |        |        |       |      | CLIP, Brake Attaching Tube, 3 Way, Mounting                                       |

**JEEP WRANGLER (TJ)**

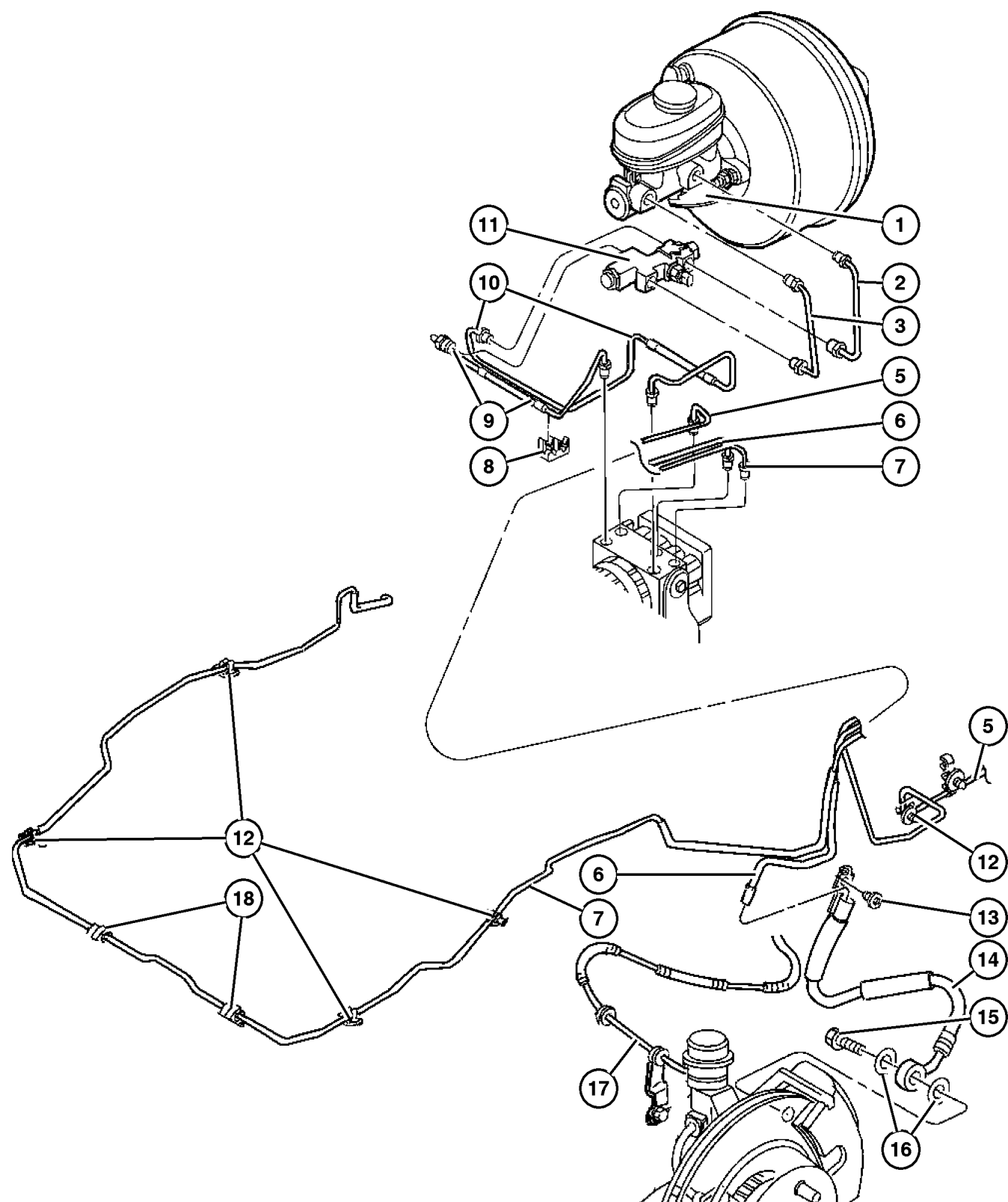
|             |                        |              |                       |                              |
|-------------|------------------------|--------------|-----------------------|------------------------------|
| SERIES      | LINE                   | BODY         | ENGINE                | TRANSMISSION                 |
| H = Sport   | J = Wrangler 4WD       | 77 = 93.4 WB | ED1, ED0 = 2.4L DOHC  | DGG, DGD = 32RH 3 Spd. Auto. |
| L = SE      | U = Wrangler 4WD (RHD) |              | ERH = 4.0L Power Tech | DDD = 5 Speed HD Manual      |
| M = X       |                        |              |                       | DG0 = Auto. Trans.           |
| P = Sahara  |                        |              |                       | DBB = Manual Trans.          |
| S = Rubicon |                        |              |                       | DDK = 5 Speed Manual         |

AR = Use as required - = Non illustrated part # = New this model year

August 27, 2004



## Brake Lines and Hoses, Front, LHD With ABS Figure 005-530



| ITEM | PART NUMBER | QTY | LINE | SERIES | BODY   | ENGINE | TRANS | TRIM | DESCRIPTION   |
|------|-------------|-----|------|--------|--------|--------|-------|------|---|
| 1    | 5212 7970   | 1   |      |        | 77     |        |       |      | BRACKET, Brake Valve, Mounting                                      |
| 2    | 52008 398AB | 1   |      |        | 77, 78 |        |       |      | TUBE, Brake, Master Cylinder to Proportioning Valve, Primary        |
| 3    | 52008 399AB | 1   |      |        | 77, 78 |        |       |      | TUBE, Brake, Master Cylinder to Proportioning Valve, Secondary      |
| -4   | 6506 182AA  | 1   |      |        | 77, 78 |        |       |      | NUT, Tube, M10 x 1.00<br>For Item 3                                 |
|      |             | 1   | J    |        | 77     |        |       |      | For Item 7  |
|      |             | 1   | J    |        | 77     |        |       |      | For Item 10   |
| 5    | 52128 482AD | 1   | J    |        | 77     |        |       |      | TUBE, Brake, HCU to Rear Brake Hose, Rear                           |
| 6    | 52128 484AB | 1   | J    |        | 77     |        |       |      | TUBE, Brake, HCU to Brake Hose, Left                                |
| 7    | 52128 483AB | 1   | J    |        | 77     |        |       |      | TUBE, Brake, HCU to Brake Hose, Right                               |
| 8    | 5200 8940   | 1   |      |        |        |        |       |      | CLIP, Brake Line  |
| 9    | 52128 486AB | 1   | J    |        | 77     |        |       |      | HOSE, Brake, Proportioning Valve to HCU, Primary                    |
| 10   | 52128 485AB | 1   | J    |        | 77     |        |       |      | HOSE, Brake, Proportioning Valve to HCU, Secondary                  |
| 11   | 5083 807AA  | 1   |      |        | 77     |        |       |      | VALVE, Proportioning  |
| 12   | 3420 2688   | 7   | J    |        |        |        |       |      | CLIP, Latch&Line, Brake Line to Frame                               |
| 13   | 3420 1670   | 2   |      |        |        |        |       |      | SCREW, Pan Head, M8-1.25x13, Front Brake Hose to Frame, Mounting    |
| 14   | 52008 674AC | 1   |      |        | 77, 78 |        |       |      | HOSE, Brake Right   |
|      | 52008 675AC | 1   |      |        | 77, 78 |        |       |      | Left  |
| 15   | 6035 832    | 2   |      |        |        |        |       |      | BOLT, Banjo, To Caliper, Mounting                                   |
| 16   | 6035 886    | 4   |      |        |        |        |       |      | GASKET, Brake Hose To Caliper, Mounting                             |
| 17   | 5602 7727   | 2   | J    |        |        |        |       |      | SENSOR, Anti-Lock Brakes, Right or Left                             |
| 18   | 5212 8175   | 2   |      |        |        |        |       |      | CLIP, Brake Attaching Tube, 3 Way, Double Tube Brake Line, Mounting |
| -19  | 5073 039AA  | 2   |      |        |        |        |       |      | STRAP, Tie, Speed Sensor to Convolute Tubing                        |

### JEEP WRANGLER (TJ)

SERIES  
H = Sport  
L = SE  
M = X  
P = Sahara  
S = Rubicon

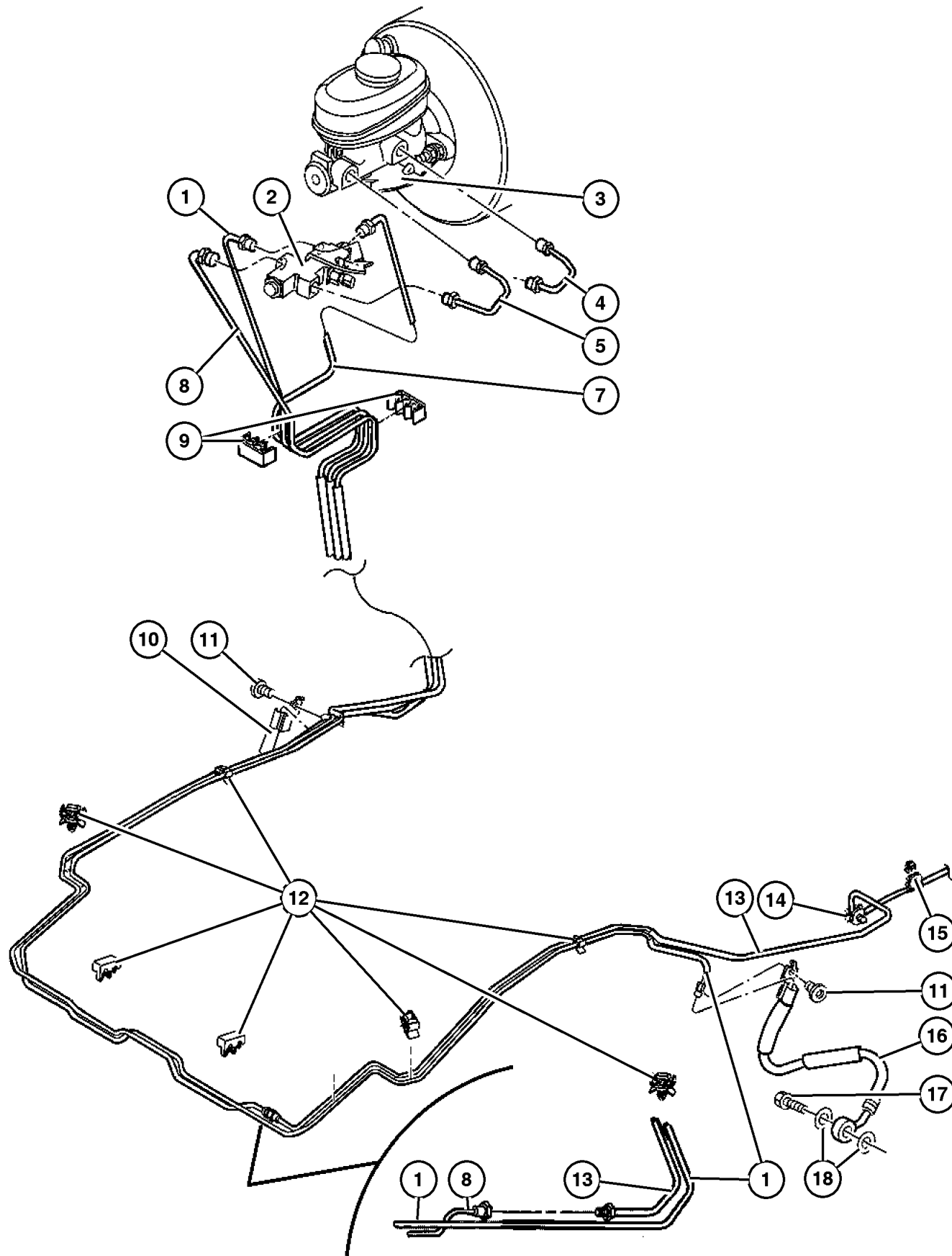
LINE  
J = Wrangler 4WD  
U = Wrangler 4WD (RHD)

BODY  
77 = 93.4 WB

ENGINE  
ED1, ED0 = 2.4L DOHC  
ERH = 4.0L Power Tech

TRANSMISSION  
DGG, DGD = 32RH 3 Spd. Auto.  
DDD = 5 Speed HD Manual  
DGO = Auto. Trans.  
DBB = Manual Trans.  
DDK = 5 Speed Manual

**Brake Lines and Hoses,Front,RHD,With or Without ABS**  
**Figure 005-540**



| ITEM | PART NUMBER | QTY | LINE | SERIES | BODY   | ENGINE | TRANS | TRIM | DESCRIPTION  |
|------|-------------|-----|------|--------|--------|--------|-------|------|--|
| 1    |             |     |      |        |        |        |       |      | TUBE, Brake  |
|      | 52009 095AE | 1   | U    |        | 77     |        |       |      | [BGA,BRW] Proportioning Valve to Left Front Brake Hose                           |
|      | 52059 689AB | 1   | U    |        | 77     |        |       |      | [BGK] HCU to Left Brake Hose   |
| 2    |             |     |      |        |        |        |       |      | VALVE, Proportioning   |
|      | 5083 808AA  | 1   |      |        | 77     |        |       |      | [BGA,BRW]  |
|      | 5083 807AA  | 1   |      |        | 77     |        |       |      | [BGK]  |
| 3    | 5212 7970   | 1   |      |        | 77     |        |       |      | BRACKET, Brake Valve, Mounting   |
| 4    | 52008 398AB | 1   |      |        | 77, 78 |        |       |      | TUBE, Brake, Master Cylinder to Proportioning Valve, Primary                     |
| 5    | 52008 399AB | 1   |      |        | 77     |        |       |      | TUBE, Brake, Master Cylinder to Proportioning Valve, Secondary                   |
| -6   |             |     |      |        |        |        |       |      | NUT, Tube, M10 x 1.00  |
|      | 6506 182AA  | 1   |      |        | 77     |        |       |      | For Item 5   |
|      |             | 1   | U    |        | 77     |        |       |      | For Item 8   |
| 7    |             |     |      |        |        |        |       |      | TUBE, Brake  |
|      | 52009 094AC | 1   | U    |        | 77     |        |       |      | Proportioning Valve to Right Front Brake Hose                                    |
|      | 52059 688AB | 1   | U    |        | 77     |        |       |      | [BGK] HCU to Right Front Brake Hose  |
| 8    | 52008 930AD | 1   | U    |        | 77     |        |       |      | TUBE, Brake, Proportioning Valve to Tube Coupling                                |
| 9    | 6506 155AA  | 2   |      |        |        |        |       |      | CLIP, Brake Tube, Line Spacer at Dash, Mounting                                  |
| 10   | 52008 674AC | 1   |      |        | 77, 78 |        |       |      | HOSE, Brake, Right   |
| 11   | 3420 1670   | 2   |      |        |        |        |       |      | SCREW, Pan Head, M8-1.25x13, Hose to Frame, Mounting                             |
| 12   |             |     |      |        |        |        |       |      | CLIP, Brake Attaching Tube, 3 Way To Front Crossmember, Mounting                 |
|      | 5212 8175   | 2   |      |        |        |        |       |      | To Frame, Mounting   |
|      |             | 3   | U    |        | 77     |        |       |      |  |
| 13   | 52008 982AG | 1   | U    |        | 77     |        |       |      | TUBE, Brake, Tube Coupling to Rear Brake Hose                                    |
| 14   | 3420 2688   | 1   | U    |        | 77     |        |       |      | CLIP, Latch&Line, 1 Way, Mounting  |
| 15   |             |     |      |        |        |        |       |      | CLIP, Quad Tubes, Serviced in Fuel Chassis Bundle, (NOT SERVICED) (Not Serviced) |
| 16   | 52008 675AC | 1   |      |        | 77, 78 |        |       |      | HOSE, Brake, Left  |
| 17   | 6035 832    | 2   |      |        |        |        |       |      | BOLT, Banjo, Brake Hose to Caliper, Mounting                                     |
| 18   | 6035 886    | 4   |      |        |        |        |       |      | GASKET, Brake Hose To Caliper, Mounting  |
| -19  |             |     |      |        |        |        |       |      | TUBE, Brake  |

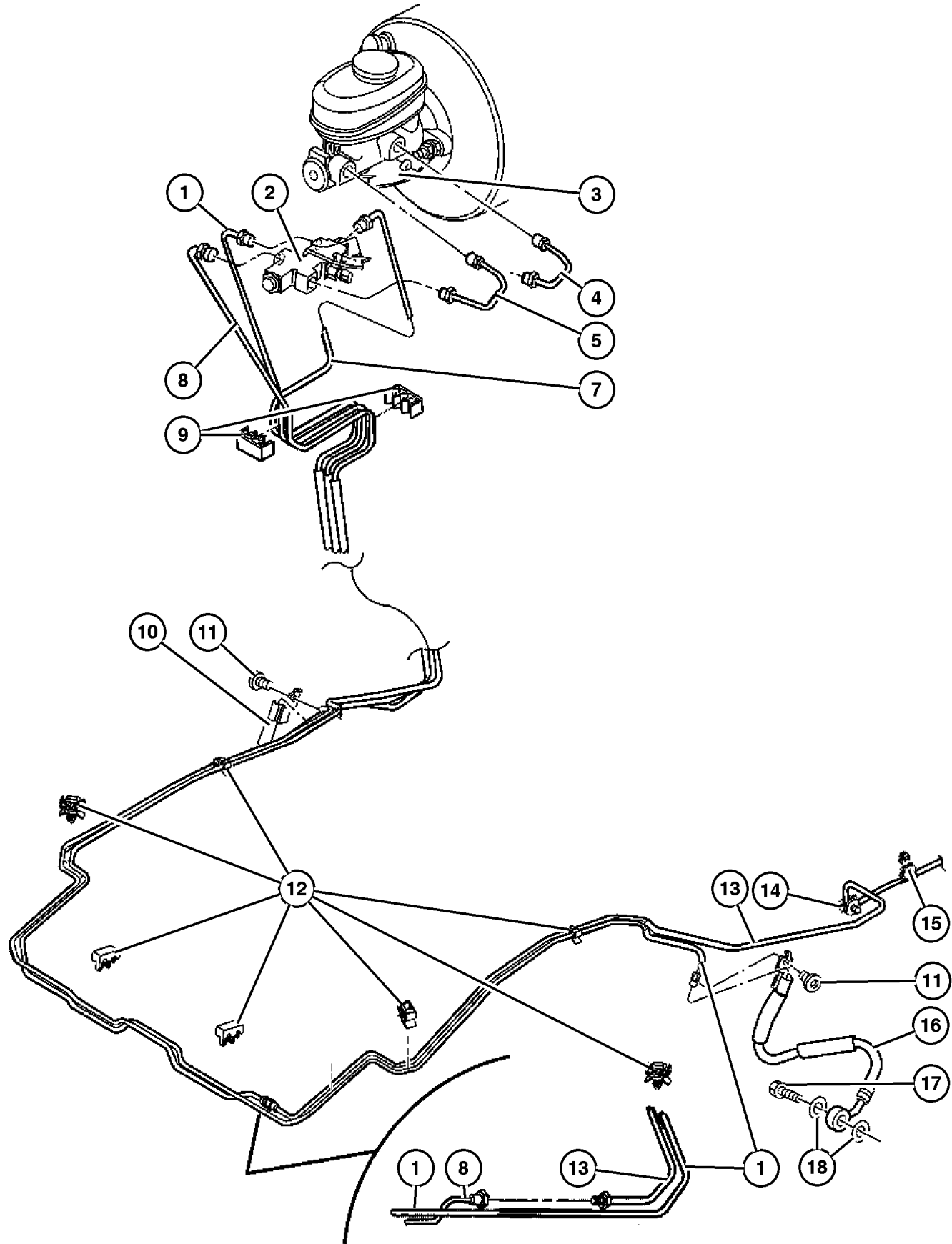
**JEEP WRANGLER (TJ)**

|             |                        |              |                       |                              |
|-------------|------------------------|--------------|-----------------------|------------------------------|
| SERIES      | LINE                   | BODY         | ENGINE                | TRANSMISSION                 |
| H = Sport   | J = Wrangler 4WD       | 77 = 93.4 WB | ED1, ED0 = 2.4L DOHC  | DGG, DGD = 32RH 3 Spd. Auto. |
| L = SE      | U = Wrangler 4WD (RHD) |              | ERH = 4.0L Power Tech | DDD = 5 Speed HD Manual      |
| M = X       |                        |              |                       | DG0 = Auto. Trans.           |
| P = Sahara  |                        |              |                       | DBB = Manual Trans.          |
| S = Rubicon |                        |              |                       | DDK = 5 Speed Manual         |

AR = Use as required - = Non illustrated part # = New this model year

August 27, 2004

**Brake Lines and Hoses,Front,RHD,With or Without ABS**  
**Figure 005-540**



| ITEM | PART NUMBER | QTY | LINE | SERIES | BODY | ENGINE | TRANS | TRIM | DESCRIPTION                           |
|------|-------------|-----|------|--------|------|--------|-------|------|---------------------------------------|
|      | 52059 686AB | 1   | U    |        | 77   |        |       |      | HCU to Proportioning Valve, Primary   |
|      | 52059 687AB | 1   | U    |        | 77   |        |       |      | HCU to Proportioning Valve, Secondary |

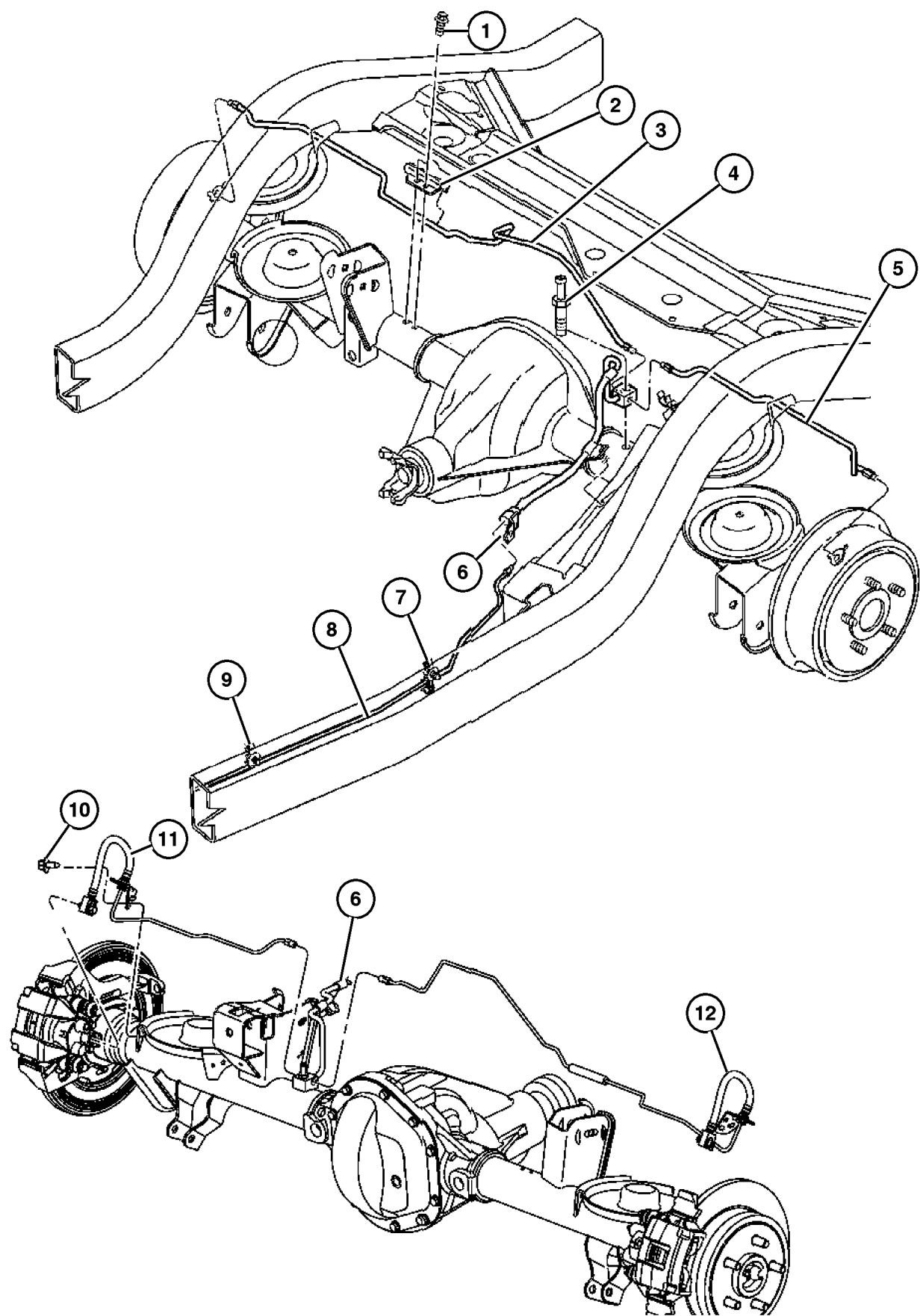
**JEEP WRANGLER (TJ)**

|               |                        |              |                       |                              |
|---------------|------------------------|--------------|-----------------------|------------------------------|
| <b>SERIES</b> | <b>LINE</b>            | <b>BODY</b>  | <b>ENGINE</b>         | <b>TRANSMISSION</b>          |
| H = Sport     | J = Wrangler 4WD       | 77 = 93.4 WB | ED1, ED0 = 2.4L DOHC  | DGG, DGD = 32RH 3 Spd. Auto. |
| L = SE        | U = Wrangler 4WD (RHD) |              | ERH = 4.0L Power Tech | DDD = 5 Speed HD Manual      |
| M = X         |                        |              |                       | DG0 = Auto. Trans.           |
| P = Sahara    |                        |              |                       | DBB = Manual Trans.          |
| S = Rubicon   |                        |              |                       | DDK = 5 Speed Manual         |

AR = Use as required - = Non illustrated part # = New this model year

August 27, 2004

**Brake Lines and Hoses,Rear,Without ABS**  
**Figure 005-550**



| ITEM                                       | PART NUMBER | QTY | LINE | SERIES | BODY | ENGINE | TRANS | TRIM | DESCRIPTION   |
|--|-------------|-----|------|--------|------|--------|-------|------|---|
| Note:Sales Codes;                          |             |     |      |        |      |        |       |      |   |
| [BRW]=Brakes - 4-Wheel Disc                |             |     |      |        |      |        |       |      |   |
| [DRJ]=Axle - Rear,Dana M35/194MM           |             |     |      |        |      |        |       |      |   |
| [DRK]=Axle - Rear,Heavy Duty Dana 44/226MM |             |     |      |        |      |        |       |      |   |
| 1  | 3420 1912   | 2   |      |        |      |        |       |      | SCREW, Self Tapping, M6x1x14, Brake Line Shield to Axle Tube, Mounting                |
| 2  | 5212 8189   | 1   |      |        |      |        |       |      | SHIELD, Brake Line, Rear Axle TUBE, Brake   |
| 3  | 52008 402AD | 1   |      |        |      | 77     |       |      | [DRJ], Right  |
|  | 52009 092AE | 1   |      |        |      | 61, 77 |       |      | [DRK], Right  |
| 4  | 4137 696    | 1   |      |        |      |        |       |      | SCREW, Brake Tee, .437-20x2.07, Axle Vent and Brake Tee, Mounting                     |
| 5  | 52008 403AD | 1   |      |        |      | 77     |       |      | TUBE, Brake [DRJ], Left   |
|  | 52009 093AE | 1   |      |        |      | 61, 77 |       |      | [DRK], Left   |
| 6  | 5200 8391   | 1   |      |        |      |        |       |      | HOSE, Brake, Rear   |
| 7  |             |     |      |        |      |        |       |      | CLIP, Quad Tubes, Purchase Fuel Bundle Assembly, (NOT SERVICED) (Not Serviced)        |
| 8  | 52008 385AE | 1   | J    |        |      | 77     |       |      | [BGA,BRW] Proportioning Valve to Rear Brake Hose, Chassis                             |
|  | 56052 350AB | 1   | J    |        |      | 78     |       |      | [BRW] Proportioning Valve to Rear Brake Hose, Chassis                                 |
|  | 52008 982AG | 1   | U    |        |      | 77     |       |      | Coupling to Rear Brake Hose, Chassis  |
| 9  |             |     |      |        |      |        |       |      | CLIP, Five Way Fastener, Purchase Fuel Bundle Assembly, (NOT SERVICED) (Not Serviced) |
| 10   | 6102 142AA  | 2   |      |        |      |        |       |      | SCREW, Hex Head, M6x1x15, Brake Tube to Spring Seat, Mounting                         |
| 11   | 52128 431AC | 1   |      |        |      |        |       |      | HOSE, Brake, [BRW] With Tube, Left  |
| 12   | 52128 430AC | 1   |      |        |      |        |       |      | HOSE, Brake, [BRW] With Tube, Right   |

**JEEP WRANGLER (TJ)**

|               |                        |              |                       |                              |
|---------------|------------------------|--------------|-----------------------|------------------------------|
| <b>SERIES</b> | <b>LINE</b>            | <b>BODY</b>  | <b>ENGINE</b>         | <b>TRANSMISSION</b>          |
| H = Sport     | J = Wrangler 4WD       | 77 = 93.4 WB | ED1, ED0 = 2.4L DOHC  | DGG, DGD = 32RH 3 Spd. Auto. |
| L = SE        | U = Wrangler 4WD (RHD) |              | ERH = 4.0L Power Tech | DDD = 5 Speed HD Manual      |
| M = X         |                        |              |                       | DG0 = Auto. Trans.           |
| P = Sahara    |                        |              |                       | DBB = Manual Trans.          |
| S = Rubicon   |                        |              |                       | DDK = 5 Speed Manual         |

AR = Use as required - = Non illustrated part # = New this model year

August 27, 2004

## Brake Lines and Hoses,Rear,With ABS Figure 005-560

| ITEM | PART NUMBER | QTY | LINE | SERIES | BODY | ENGINE | TRANS | TRIM | DESCRIPTION |
|------|-------------|-----|------|--------|------|--------|-------|------|-------------|
|------|-------------|-----|------|--------|------|--------|-------|------|-------------|

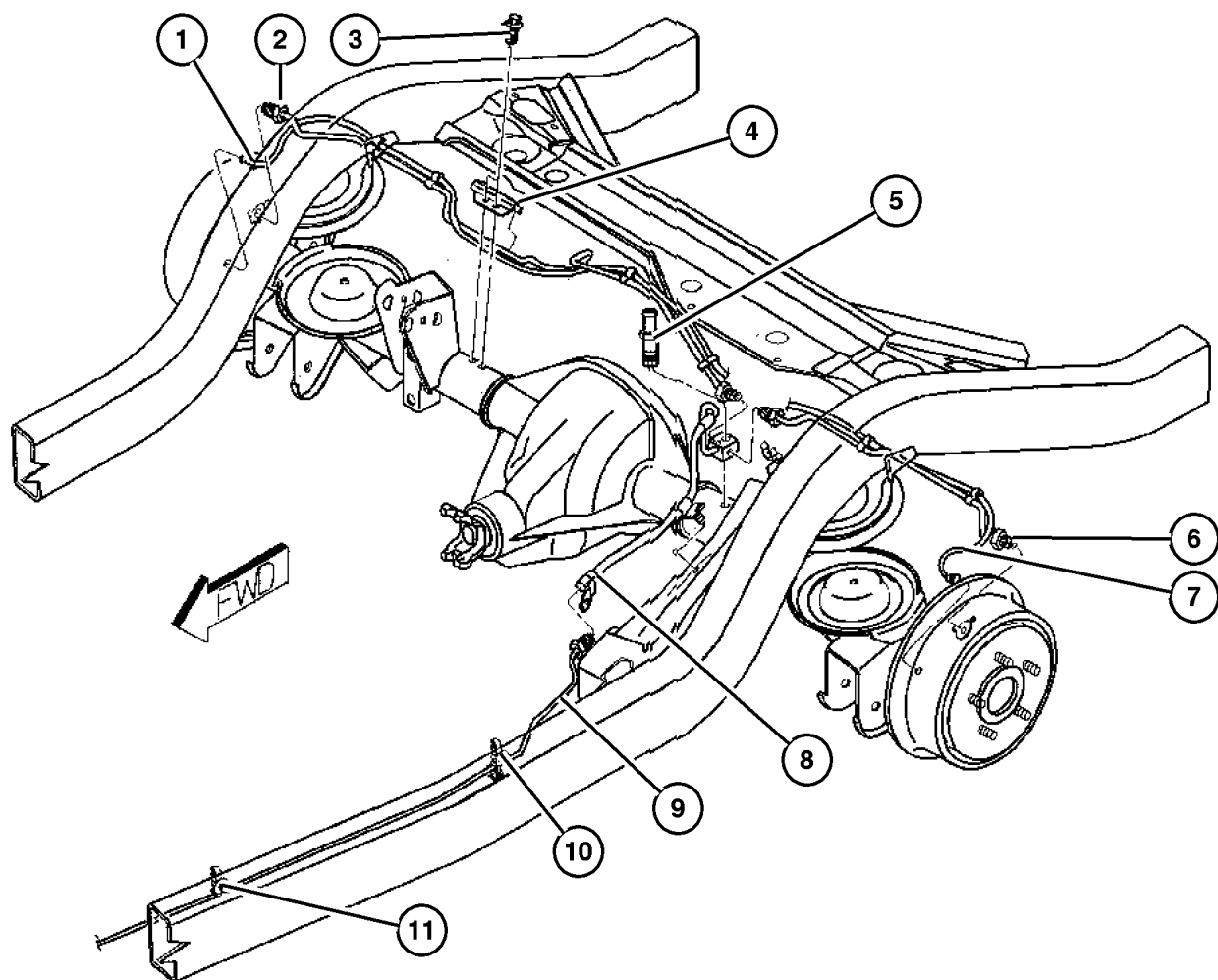
Note:Sales Codes;

[BGK]=Brakes - 4-Wheel Anti-Lock

[DRJ]=Axle - Rear,Dana M35/194MM

[DRK]=Axle - Rear,Dana 44/226MM

|    |             |   |   |  |        |  |  |  |   |
|----|-------------|---|---|--|--------|--|--|--|---|
| 1  | 5602 7728   | 1 | J |  | 77     |  |  |  | SENSOR, Anti-Lock Brakes, [DRK] Only, Right   |
| 2  | 52008 402AD | 1 |   |  | 77     |  |  |  | TUBE, Brake [DRJ], Right  |
|    | 52009 092AE | 1 |   |  | 61, 77 |  |  |  | [DRK], Right  |
| 3  | 3420 1912   | 2 |   |  |        |  |  |  | SCREW, Self Tapping, M6x1x14, Brake line to shield, Mounting                          |
| 4  | 5212 8189   | 1 |   |  |        |  |  |  | SHIELD, Brake Line  |
| 5  | 4137 696    | 1 |   |  |        |  |  |  | SCREW, Brake Tee, .437-20x2.07  |
| 6  | 52008 403AD | 1 |   |  | 77     |  |  |  | TUBE, Brake [DRJ], Left   |
|    | 52009 093AE | 1 |   |  | 61, 77 |  |  |  | [DRK], Left   |
| 7  | 5602 7729   | 1 | J |  | 77     |  |  |  | SENSOR, Anti-Lock Brakes, [DRK] Only, Left  |
| 8  | 5200 8391   | 1 |   |  |        |  |  |  | HOSE, Brake, Rear   |
| 9  | 52128 482AD | 1 | J |  | 77     |  |  |  | TUBE, Brake [BGK] HCU to Rear Brake Hose, Chassis                                     |
|    | 52059 690AB | 1 | U |  | 77     |  |  |  | [BGK] HCU to Rear Brake Hose, Chassis   |
| 10 |             |   |   |  |        |  |  |  | CLIP, Quad Tubes, Purchase Fuel Bundle Assembly, (NOT SERVICED) (Not Serviced)        |
| 11 |             |   |   |  |        |  |  |  | CLIP, Five Way Fastener, Purchase Fuel Bundle Assembly, (NOT SERVICED) (Not Serviced) |



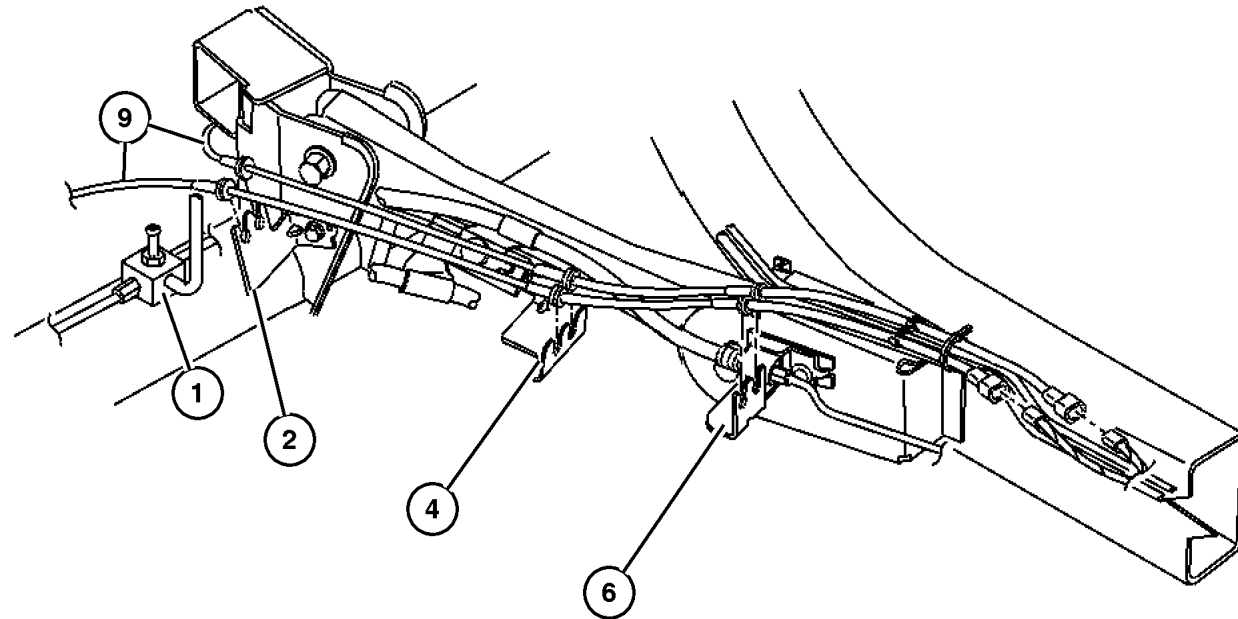
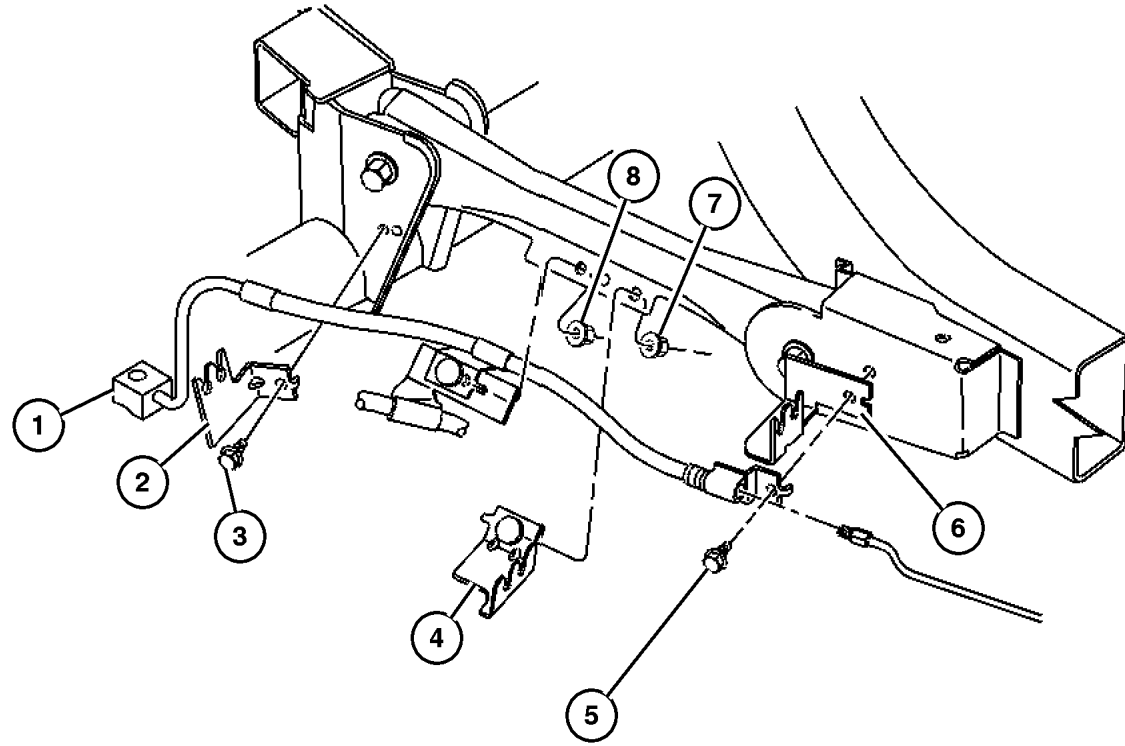
### JEEP WRANGLER (TJ)

| SERIES      | LINE                   | BODY         | ENGINE                | TRANSMISSION                 |
|-------------|------------------------|--------------|-----------------------|------------------------------|
| H = Sport   | J = Wrangler 4WD       | 77 = 93.4 WB | ED1, ED0 = 2.4L DOHC  | DGG, DGD = 32RH 3 Spd. Auto. |
| L = SE      | U = Wrangler 4WD (RHD) |              | ERH = 4.0L Power Tech | DDD = 5 Speed HD Manual      |
| M = X       |                        |              |                       | DG0 = Auto. Trans.           |
| P = Sahara  |                        |              |                       | DBB = Manual Trans.          |
| S = Rubicon |                        |              |                       | DDK = 5 Speed Manual         |

AR = Use as required - = Non illustrated part # = New this model year

August 27, 2004

## Rear Axle Brake Sensor Wiring Brackets and Fasteners Figure 005-570



| ITEM                           | PART NUMBER | QTY | LINE | SERIES | BODY | ENGINE | TRANS | TRIM | DESCRIPTION   |
|--------------------------------|-------------|-----|------|--------|------|--------|-------|------|---|
| Note; Sales Codes:             |             |     |      |        |      |        |       |      |   |
| [BGK]=4-Wheel Anti-Lock Brakes |             |     |      |        |      |        |       |      |   |
| 1                              | 5200 8391   | 1   |      |        |      |        |       |      | HOSE, Brake, Rear   |
| 2                              | 52059 711AA | 1   |      |        |      |        |       |      | BRACKET, ABS Sensor, To Left<br>Rear Axle UCA Bracket, Mounting |
| 3                              | 3420 1912   | 4   |      |        |      |        |       |      | SCREW, Self Tapping, M6x1x14,<br>ABS Sensor Bracket, Mounting   |
| 4                              | 5200 8920   | 1   |      |        |      |        |       |      | BRACKET, ABS Sensor, To Left<br>Rear UCA, Mounting              |
| 5                              | 6502 711    | 1   |      |        |      |        |       |      | BOLT, Rear Brake Hose to Frame,<br>Mounting                     |
| 6                              | 5200 8919   | 1   |      |        |      |        |       |      | BRACKET, ABS Sensor, To Left<br>Rear Frame Rail, Mounting       |
| 7                              | 6101 695    | 1   |      |        |      |        |       |      | NUT, Hex Flange Lock, ABS Sensor<br>Bracket to UCA, Mounting    |
| 8                              | 6101 695    | 1   |      |        |      |        |       |      | NUT, Hex Flange Lock, Rear Brake<br>Hose to UCA, Mounting       |
| 9                              |             |     |      |        |      |        |       |      | SENSOR, Anti-Lock Brakes  |
|                                | 5602 7728   | 1   | J    |        |      | 77     |       |      | [BGK], Right  |
|                                | 5602 7729   | 1   | J    |        |      | 77     |       |      | [BGK], Left   |

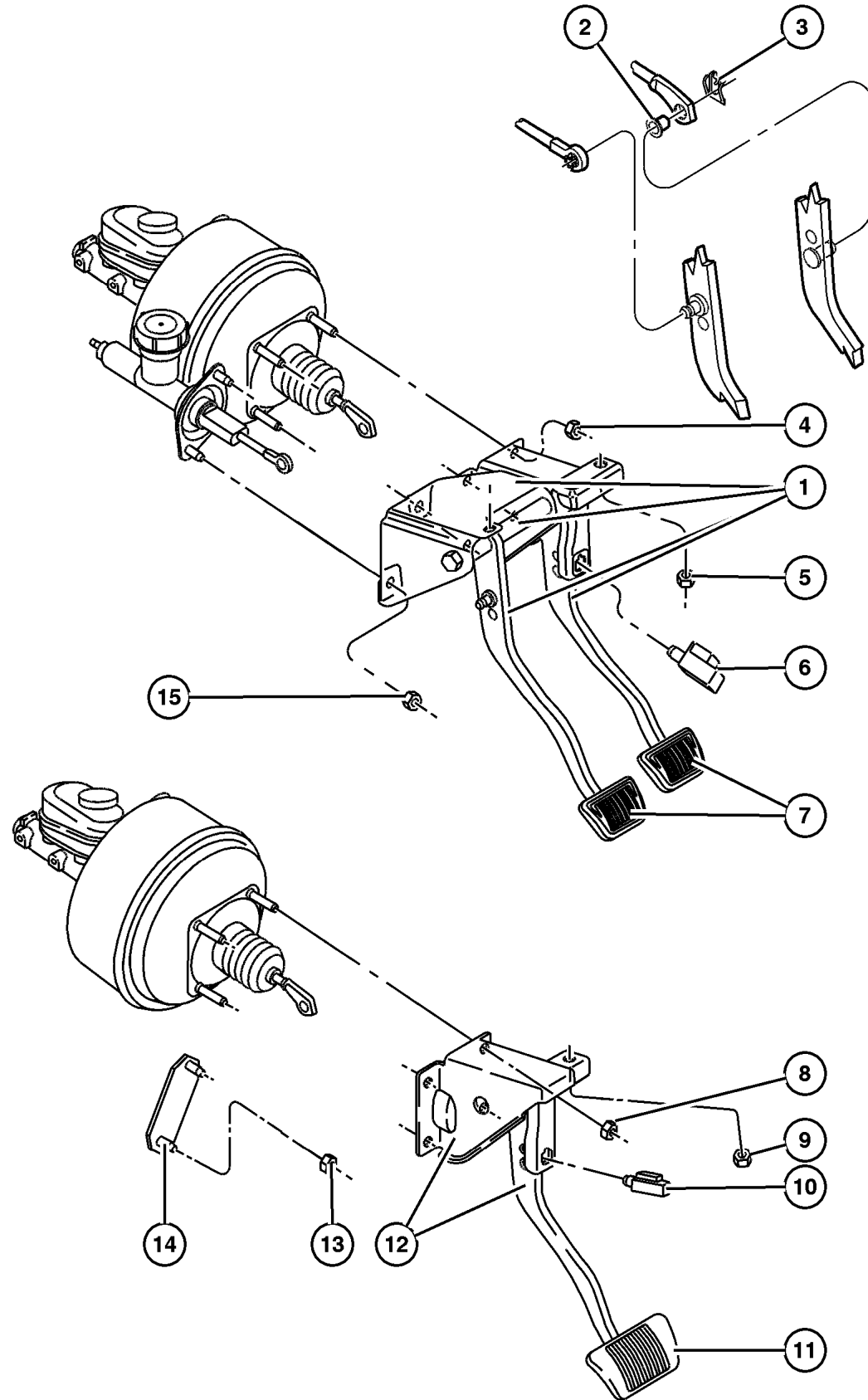
### JEEP WRANGLER (TJ)

|             |                        |              |                       |                                 |
|-------------|------------------------|--------------|-----------------------|---------------------------------|
| SERIES      | LINE                   | BODY         | ENGINE                | TRANSMISSION                    |
| H = Sport   | J = Wrangler 4WD       | 77 = 93.4 WB | ED1, ED0 = 2.4L DOHC  | DGG, DGD = 32RH 3 Spd.<br>Auto. |
| L = SE      | U = Wrangler 4WD (RHD) |              | ERH = 4.0L Power Tech | DDD = 5 Speed HD Manual         |
| M = X       |                        |              |                       | DG0 = Auto. Trans.              |
| P = Sahara  |                        |              |                       | DBB = Manual Trans.             |
| S = Rubicon |                        |              |                       | DDK = 5 Speed Manual            |

AR = Use as required - = Non illustrated part # = New this model year

August 27, 2004

## Brake Pedal, LHD Figure 005-610



| ITEM                              | PART NUMBER | QTY | LINE | SERIES | BODY | ENGINE | TRANS | TRIM | DESCRIPTION  |
|-----------------------------------|-------------|-----|------|--------|------|--------|-------|------|--|
| Note: Sales Codes;                |             |     |      |        |      |        |       |      |  |
| [DBB]= All Manual Transmissions   |             |     |      |        |      |        |       |      |  |
| [DG0]=All Automatic Transmissions |             |     |      |        |      |        |       |      |  |
| 1                                 | 52128 017AB | 1   | J    |        |      |        |       |      | PEDAL, Brake And Clutch, [DBB]   |
| 2                                 | 4446 361    | 1   |      |        |      |        |       |      | BUSHING, Hydraulic Clutch Actuator                                     |
| 3                                 | 6035 334    | 1   |      |        |      |        |       |      | CLIP, Brake Push Rod   |
| 4                                 | J400 3909   | 4   |      |        |      |        |       |      | NUT, Hex Flange With Serration, Booster to Dash, Mounting              |
| 5                                 | J400 3909   | 2   |      |        |      |        |       |      | NUT, Hex Flange With Serration, Brake Pedal Support Bracket, Mounting  |
| 6                                 | 4671 336    | 1   |      |        |      |        |       |      | SWITCH, Stop Lamp  |
| 7                                 | 5200 2750   | 2   | J    |        |      |        |       |      | PAD, Pedal, [DBB]  |
| 8                                 | J400 3909   | 4   |      |        |      |        |       |      | NUT, Hex Flange With Serration, Booster to Dash, Mounting              |
| 9                                 | J400 3909   | 1   |      |        |      |        |       |      | NUT, Hex Flange With Serration, Brake Pedal Support Bracket, Mounting  |
| 10                                | 4671 336    | 1   |      |        |      |        |       |      | SWITCH, Stop Lamp  |
| 11                                | 5102 023AB  | 1   | J    |        |      |        |       |      | PAD, Pedal, [DG0]  |
| 12                                | 52129 008AE | 1   | J    |        |      |        |       |      | PEDAL, Brake, [DG0]  |
| 13                                | J400 3909   | 2   |      |        |      |        |       |      | NUT, Hex Flange With Serration, Clutch Master Cylinder Cover, Mounting |
| 14                                | 5210 4013   | 1   |      |        |      |        |       |      | COVER, Master Cylinder, [DG0]  |
| 15                                | J400 3909   | 2   |      |        |      |        |       |      | NUT, Hex Flange With Serration, Clutch Master Cylinder, Mounting       |
| -16                               | 4294 639    | 4   | J    |        |      |        |       |      | BUSHING, Clutch and Brake Pedal, For Pivot Shaft                       |

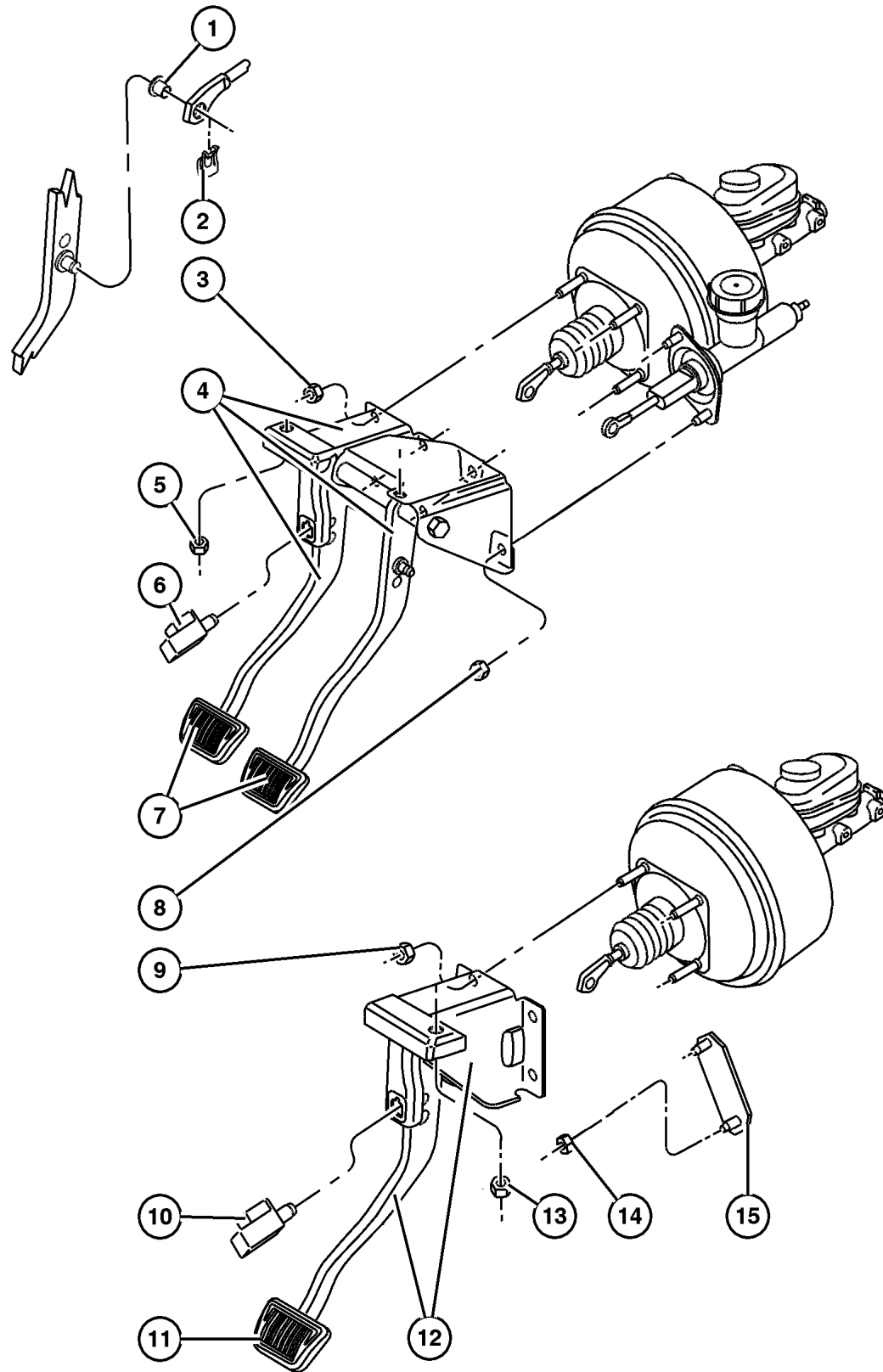
### JEEP WRANGLER (TJ)

| SERIES      | LINE                   | BODY         | ENGINE                | TRANSMISSION                 |
|-------------|------------------------|--------------|-----------------------|------------------------------|
| H = Sport   | J = Wrangler 4WD       | 77 = 93.4 WB | ED1, ED0 = 2.4L DOHC  | DGG, DGD = 32RH 3 Spd. Auto. |
| L = SE      | U = Wrangler 4WD (RHD) |              | ERH = 4.0L Power Tech | DDD = 5 Speed HD Manual      |
| M = X       |                        |              |                       | DG0 = Auto. Trans.           |
| P = Sahara  |                        |              |                       | DBB = Manual Trans.          |
| S = Rubicon |                        |              |                       | DDK = 5 Speed Manual         |

AR = Use as required - = Non illustrated part # = New this model year

August 27, 2004

Brake Pedal,RHD  
Figure 005-620



| ITEM | PART NUMBER | QTY | LINE | SERIES | BODY | ENGINE | TRANS | TRIM | DESCRIPTION  |
|------|-------------|-----|------|--------|------|--------|-------|------|--|
| 1    | 4446 361    | 1   |      |        |      |        |       |      | BUSHING, Hydraulic Clutch Actuator                                     |
| 2    | 6035 334    | 1   |      |        |      |        |       |      | CLIP, Brake Push Rod   |
| 3    | J400 3909   | 4   |      |        |      |        |       |      | NUT, Hex Flange With Serration, Booster to Dash, Mounting              |
| 4    | 52128 052AB | 1   | U    |        | 77   |        |       |      | PEDAL, Brake And Clutch  |
| 5    | J400 3909   | 2   |      |        |      |        |       |      | NUT, Hex Flange With Serration, Brake Pedal Support Bracket, Mounting  |
| 6    | 4671 336    | 1   |      |        |      |        |       |      | SWITCH, Stop Lamp  |
| 7    | 4779 027    | 1   | U    |        | 77   |        |       |      | PAD, Pedal   |
| 8    | J400 3909   | 2   |      |        |      |        |       |      | NUT, Hex Flange With Serration, Clutch Master Cylinder, Mounting       |
| 9    | J400 3909   | 4   |      |        |      |        |       |      | NUT, Hex Flange With Serration, Booster to Dash, Mounting              |
| 10   | 4671 336    | 1   |      |        |      |        |       |      | SWITCH, Stop Lamp  |
| 11   | 4779 027    | 1   | U    |        | 77   |        |       |      | PAD, Pedal   |
| 12   | 52129 038AD | 1   | U    |        | 77   |        |       |      | PEDAL, Brake   |
| 13   | J400 3909   | 1   |      |        |      |        |       |      | NUT, Hex Flange With Serration, Brake Pedal Support Bracket, Mounting  |
| 14   | J400 3909   | 2   |      |        |      |        |       |      | NUT, Hex Flange With Serration, Clutch Master Cylinder Cover, Mounting |
| 15   | 5210 4013   | 1   |      |        |      |        |       |      | COVER, Master Cylinder, [DG0]  |
| -16  | 4294 639    | 4   | U    |        | 77   |        |       |      | BUSHING, Clutch and Brake Pedal, For pivot shaft                       |

JEEP WRANGLER (TJ)

| SERIES      | LINE                   | BODY         | ENGINE                | TRANSMISSION                 |
|-------------|------------------------|--------------|-----------------------|------------------------------|
| H = Sport   | J = Wrangler 4WD       | 77 = 93.4 WB | ED1, ED0 = 2.4L DOHC  | DGG, DGD = 32RH 3 Spd. Auto. |
| L = SE      | U = Wrangler 4WD (RHD) |              | ERH = 4.0L Power Tech | DDD = 5 Speed HD Manual      |
| M = X       |                        |              |                       | DG0 = Auto. Trans.           |
| P = Sahara  |                        |              |                       | DBB = Manual Trans.          |
| S = Rubicon |                        |              |                       | DDK = 5 Speed Manual         |

AR = Use as required - = Non illustrated part # = New this model year

August 27, 2004



# Group – 006

## Clutch

### GROUP 6 - Clutch

Illustration Title

Group-Fig. No.

#### Clutch

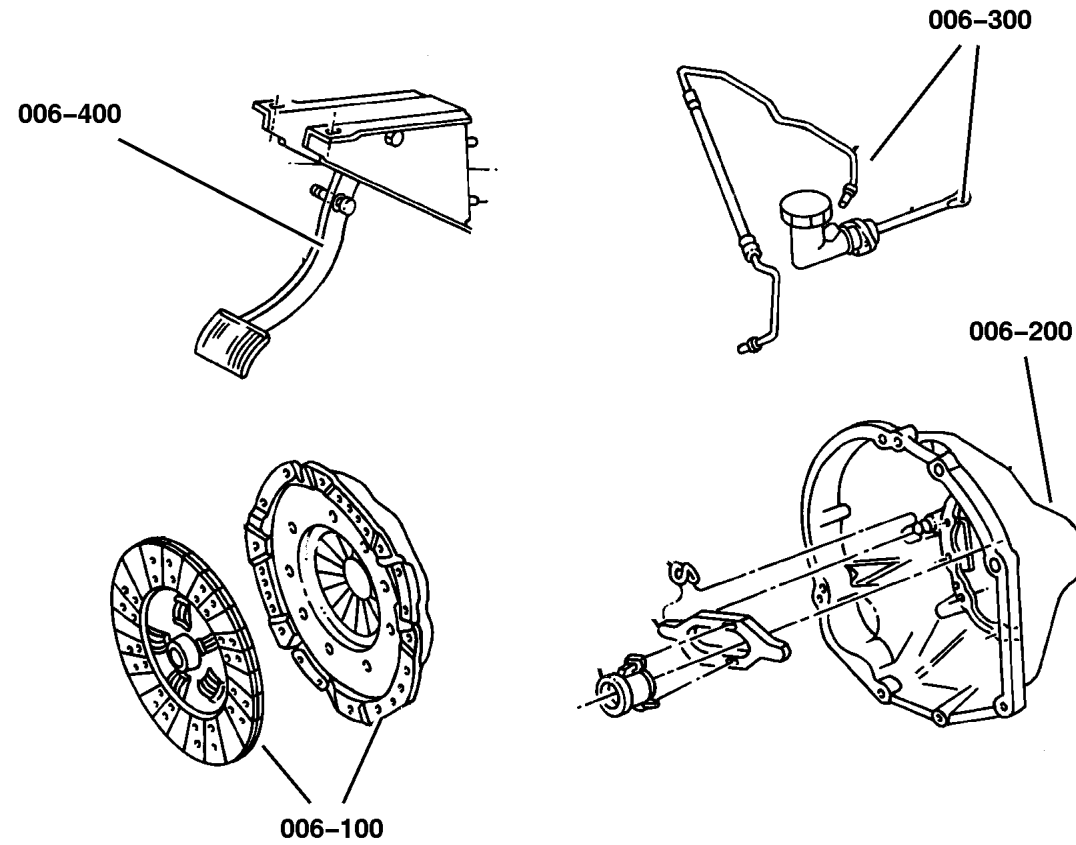
Clutch ..... Fig. 006-110

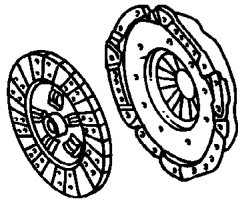
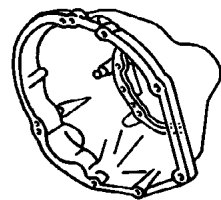
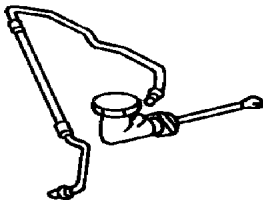
#### Clutch Housing

Attaching Items ..... Fig. 006-210

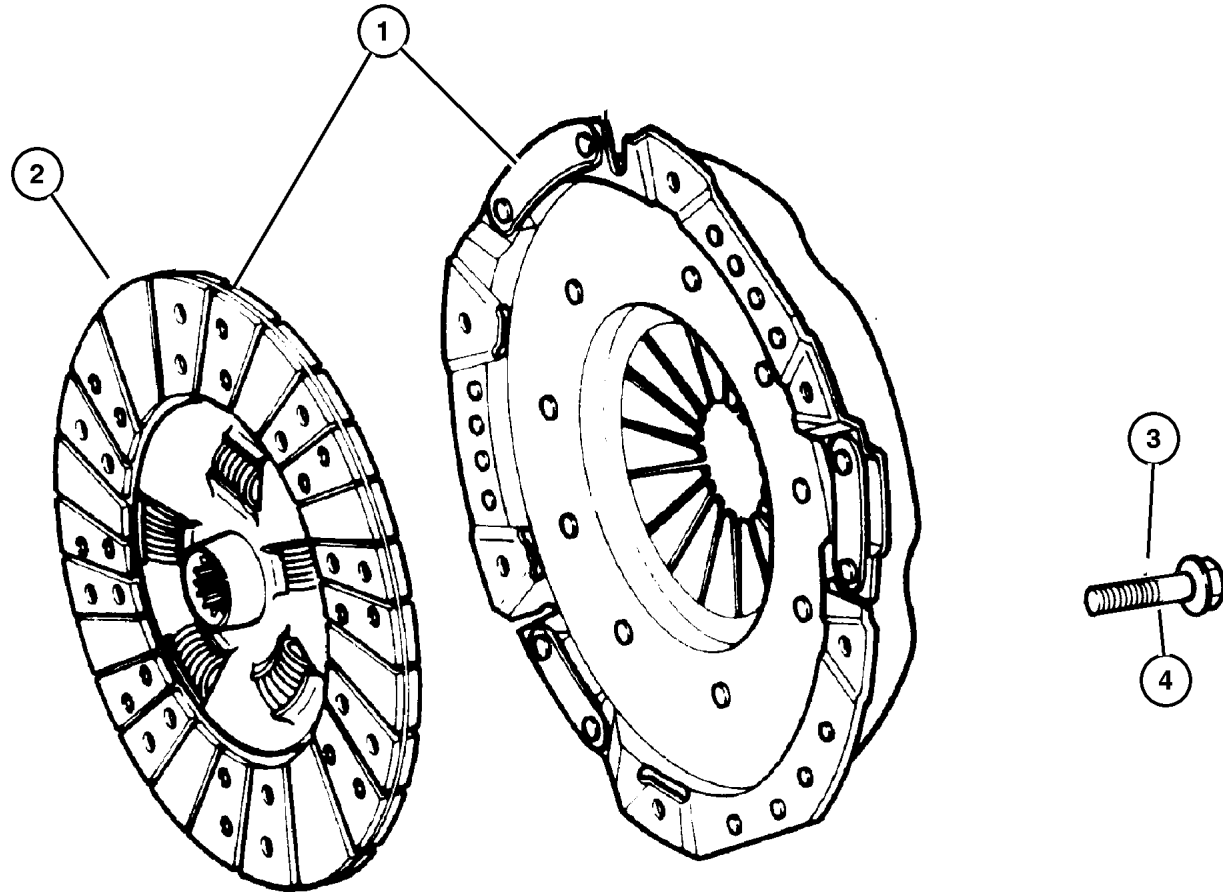
#### Clutch Controls

Control, Clutch ..... Fig. 006-310



|  |  |  |  |
|--|--|--|--|
| <p><b>006-100</b><br/>Clutch</p>  | <p><b>006-200</b><br/>Clutch Housing</p>  | <p><b>006-300</b><br/>Clutch Controls</p>  |  |
|--|--|--|--|

**Clutch  
Figure 006-110**



| ITEM | PART NUMBER | QTY | LINE | SERIES | BODY | ENGINE | TRANS | TRIM | DESCRIPTION |
|------|-------------|-----|------|--------|------|--------|-------|------|-------------|
|------|-------------|-----|------|--------|------|--------|-------|------|-------------|

**NOTE:**

Sales Codes

[DBB]=All Manual Transmissions

[DDD]=5 Speed Heavy Duty Manual Transmission

[ED0]=All 2.2,2.4,2.5, L 4 Cylinder Gas Engines

[ER0]=All 4.0L 6 Cylinder Engine

|   |             |   |  |  |  |     |  |  |  |
|---|-------------|---|--|--|--|-----|--|--|--|
| 1 |             |   |  |  |  |     |  |  | CLUTCH   |
|   | 52104 289AG | 1 |  |  |  | ED0 |  |  |  |
|   | 52104 641AA | 1 |  |  |  | ER0 |  |  |  |
| 2 |             |   |  |  |  |     |  |  | DISC, Clutch                                       |
|   | 52104 581AE | 1 |  |  |  | ED0 |  |  |  |
|   | 52104 642AA | 1 |  |  |  | ER0 |  |  |  |
| 3 | 6035 626    | 6 |  |  |  | ER0 |  |  | BOLT, Hex Head, .375-16x.84,<br>Clutch To Flywheel |
| 4 | 6501 474    | 6 |  |  |  | ED0 |  |  | BOLT, Hex Head, M8x1.25x16,<br>Clutch To Flywheel  |

**JEEP WRANGLER (TJ)**

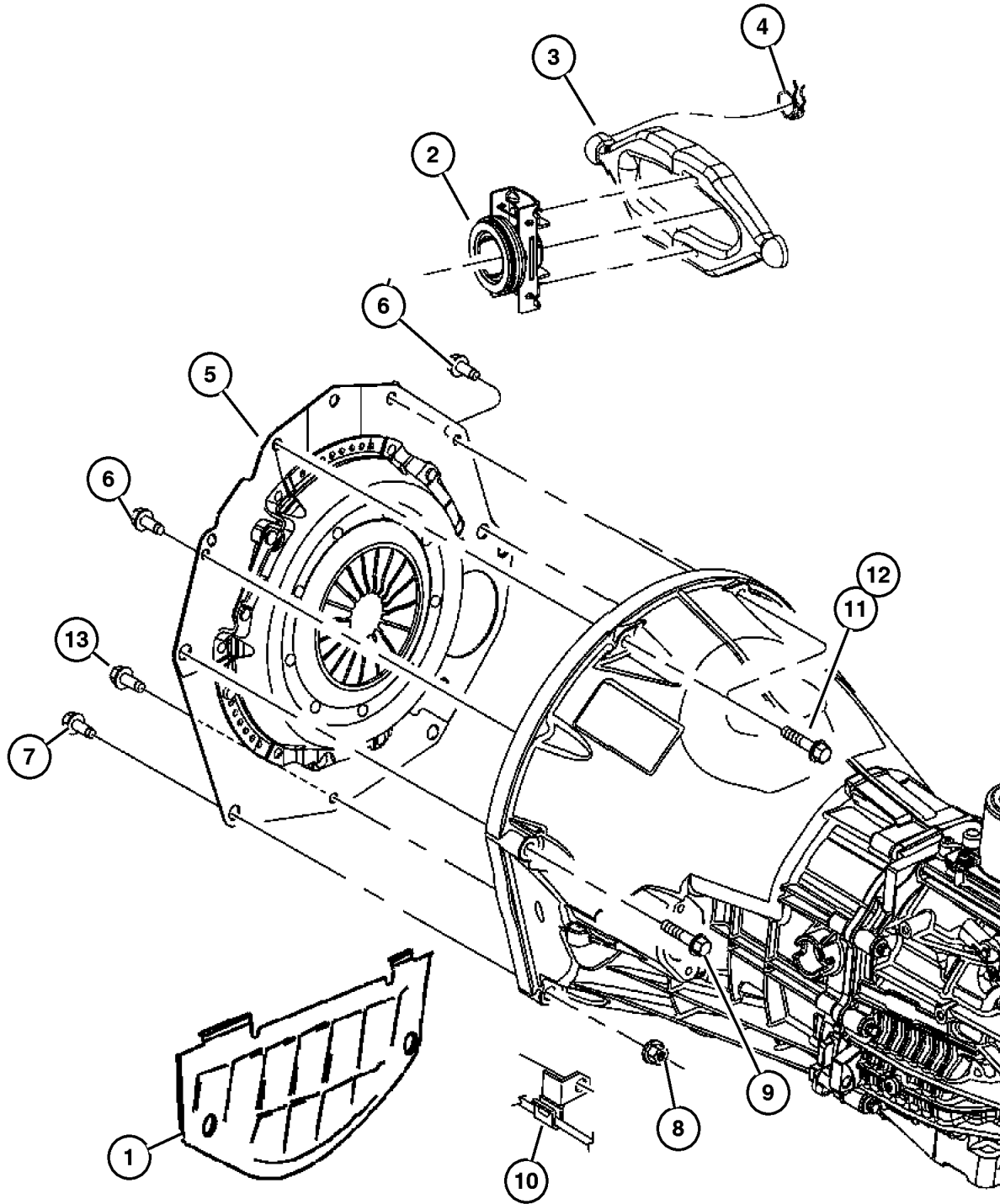
| SERIES      | LINE                   | BODY         | ENGINE                | TRANSMISSION                 |
|-------------|------------------------|--------------|-----------------------|------------------------------|
| H = Sport   | J = Wrangler 4WD       | 77 = 93.4 WB | ED1, ED0 = 2.4L DOHC  | DGG, DGD = 32RH 3 Spd. Auto. |
| L = SE      | U = Wrangler 4WD (RHD) |              | ERH = 4.0L Power Tech | DDD = 5 Speed HD Manual      |
| M = X       |                        |              |                       | DG0 = Auto. Trans.           |
| P = Sahara  |                        |              |                       | DBB = Manual Trans.          |
| S = Rubicon |                        |              |                       | DDK = 5 Speed Manual         |

AR = Use as required - = Non illustrated part # = New this model year

August 27, 2004

Attaching Items  
Figure 006-210

| ITEM   | PART NUMBER | QTY | LINE | SERIES | BODY | ENGINE      | TRANS | TRIM | DESCRIPTION  |
|--|-------------|-----|------|--------|------|-------------|-------|------|--|
| NOTE:  |             |     |      |        |      |             |       |      |  |
| Sales Codes:                                     |             |     |      |        |      |             |       |      |  |
| [DBB]=All Manual Transmissions                   |             |     |      |        |      |             |       |      |  |
| [ED0]=All 2.2,2.4,2.5L Four Cylinder Gas Engines |             |     |      |        |      |             |       |      |  |
| [ER0]=All 4.0L 6 Cylinder Gas Engine             |             |     |      |        |      |             |       |      |  |
| 1  | 53013 489AA | 1   |      |        |      | ED0         |       |      | SHIELD, Lower Bell                                   |
| 2  | 53008 342AB | 1   |      |        |      | ED0,<br>ER0 |       |      | BEARING, Clutch Release                              |
| 3  | 5210 7555   | 1   |      |        |      |             |       |      | FORK, Clutch Release                                 |
| 4  | 4338 855    | 1   |      |        |      |             |       |      | SPRING, Clutch Release                               |
| 5  | 53013 697AA | 1   |      |        |      | ED0         |       |      | SPACER   |
| 6  | 1150 0986   | AR  |      |        |      |             |       |      | BOLT, Hex Flange Head, M8x2.12x16                    |
| 7  | 6501 742    | 4   |      |        |      | ED0         |       |      | SCREW, Hex Head, M12x1.75x50                         |
| 8  | 6502 697    | 2   |      |        |      |             |       |      | NUT, Hex Flange Lock, M12x1.75                       |
| 9  | J400 7411   | 2   |      |        |      | ER0         |       |      | SCREW  |
| 10   | 52109 677AA | 1   |      |        |      |             |       |      | BRACKET, Clutch Tube                                 |
| 11   | J400 7389   | 2   |      |        |      | ER0         |       |      | BOLT, Torx   |
| 12   | 6501 742    | 4   |      |        |      | ED0         |       |      | SCREW, Hex Head, M12x1.75x50                         |
| 13   |             |     |      |        |      |             |       |      | SCREW, M10x1.50x16.00, (NOT SERVICED) (Not Serviced) |



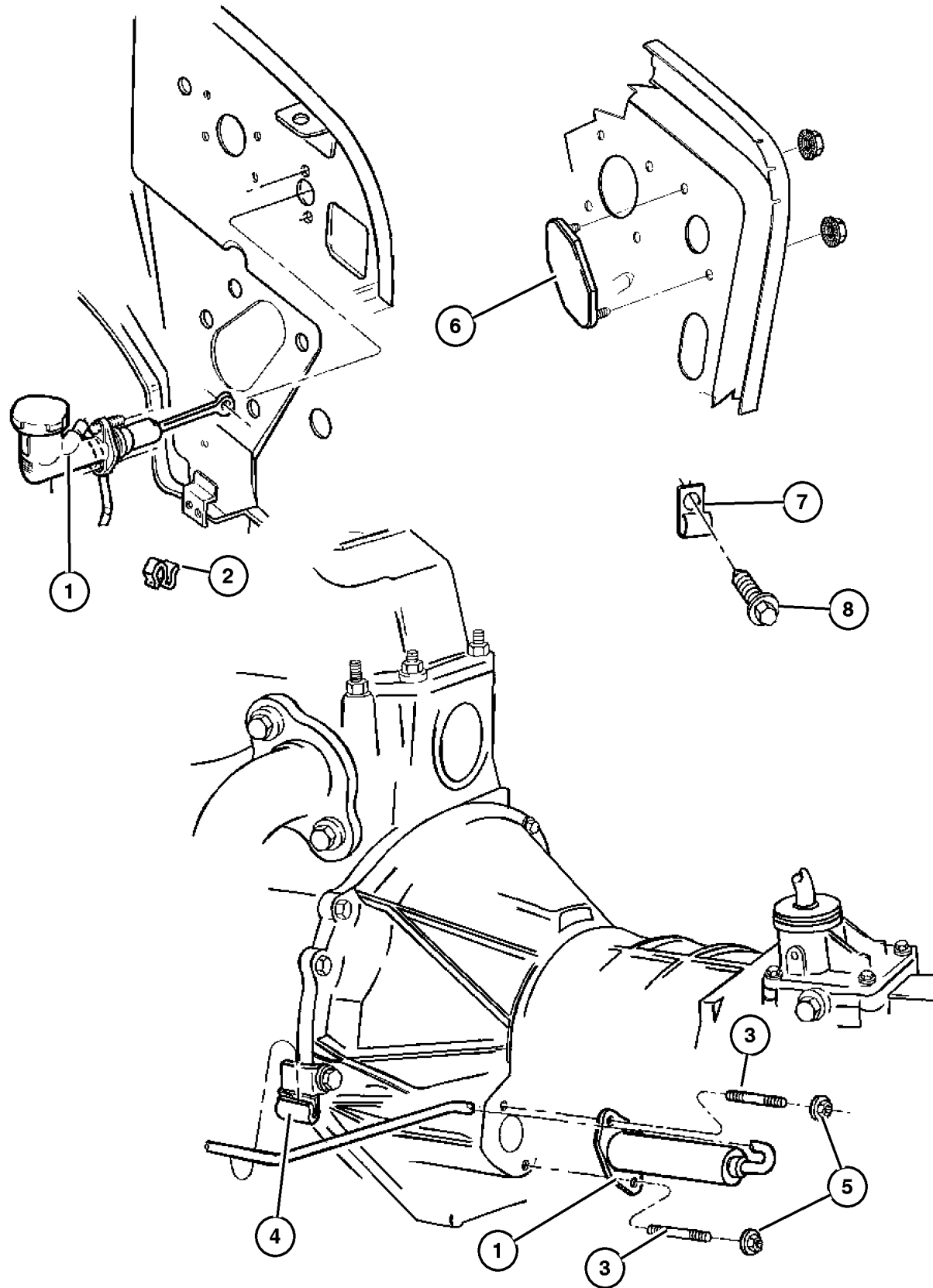
JEEP WRANGLER (TJ)

|             |                        |              |                       |                              |
|-------------|------------------------|--------------|-----------------------|------------------------------|
| SERIES      | LINE                   | BODY         | ENGINE                | TRANSMISSION                 |
| H = Sport   | J = Wrangler 4WD       | 77 = 93.4 WB | ED1, ED0 = 2.4L DOHC  | DGG, DGD = 32RH 3 Spd. Auto. |
| L = SE      | U = Wrangler 4WD (RHD) |              | ERH = 4.0L Power Tech | DDD = 5 Speed HD Manual      |
| M = X       |                        |              |                       | DG0 = Auto. Trans.           |
| P = Sahara  |                        |              |                       | DBB = Manual Trans.          |
| S = Rubicon |                        |              |                       | DDK = 5 Speed Manual         |

AR = Use as required - = Non illustrated part # = New this model year

August 27, 2004

# Control, Clutch Figure 006-310



| ITEM                                | PART NUMBER | QTY | LINE | SERIES | BODY | ENGINE | TRANS | TRIM | DESCRIPTION   |
|-------------------------------------|-------------|-----|------|--------|------|--------|-------|------|---|
| NOTE; Sales Codes                   |             |     |      |        |      |        |       |      |   |
| [DBB] = All Manual Transmissions    |             |     |      |        |      |        |       |      |   |
| [DG0] = All Automatic Transmissions |             |     |      |        |      |        |       |      |   |
| 1                                   |             |     |      |        |      |        |       |      | HYDRAULIC CONTROL, Clutch Actuator                      |
|                                     | 52107 652AG | 1   | J    |        |      |        |       |      |   |
|                                     | 52107 653AG | 1   | U    |        |      |        |       |      |   |
| 2                                   | 52107 588AC | 1   |      |        |      |        |       |      | CLIP, Tube To Dash Panel                                |
| 3                                   | 6505 668AA  | 2   |      |        |      |        |       |      | STUD, Double Ended, M8 x 1.25 x 46.50                   |
| 4                                   | 52109 677AA | 1   |      |        |      |        |       |      | BRACKET, Clutch Tube                                    |
| 5                                   | 6104 716AA  | 2   |      |        |      |        |       |      | NUT   |
| 6                                   | 5210 4013   | 1   |      |        |      |        |       |      | COVER, Master Cylinder                                  |
| 7                                   | 0120 522    | 3   | U    |        |      |        |       |      | CLIP, Wrap Around, Tube To Dash Panel                   |
| 8                                   | J400 1701   | 2   | U    |        |      |        |       |      | SCREW, Hex Self Tapping, .19-16x.50, Clip To Dash Panel |

### JEEP WRANGLER (TJ)

| SERIES      | LINE                   | BODY         | ENGINE                | TRANSMISSION                 |
|-------------|------------------------|--------------|-----------------------|------------------------------|
| H = Sport   | J = Wrangler 4WD       | 77 = 93.4 WB | ED1, ED0 = 2.4L DOHC  | DGG, DGD = 32RH 3 Spd. Auto. |
| L = SE      | U = Wrangler 4WD (RHD) |              | ERH = 4.0L Power Tech | DDD = 5 Speed HD Manual      |
| M = X       |                        |              |                       | DG0 = Auto. Trans.           |
| P = Sahara  |                        |              |                       | DBB = Manual Trans.          |
| S = Rubicon |                        |              |                       | DDK = 5 Speed Manual         |

AR = Use as required - = Non illustrated part # = New this model year

August 27, 2004

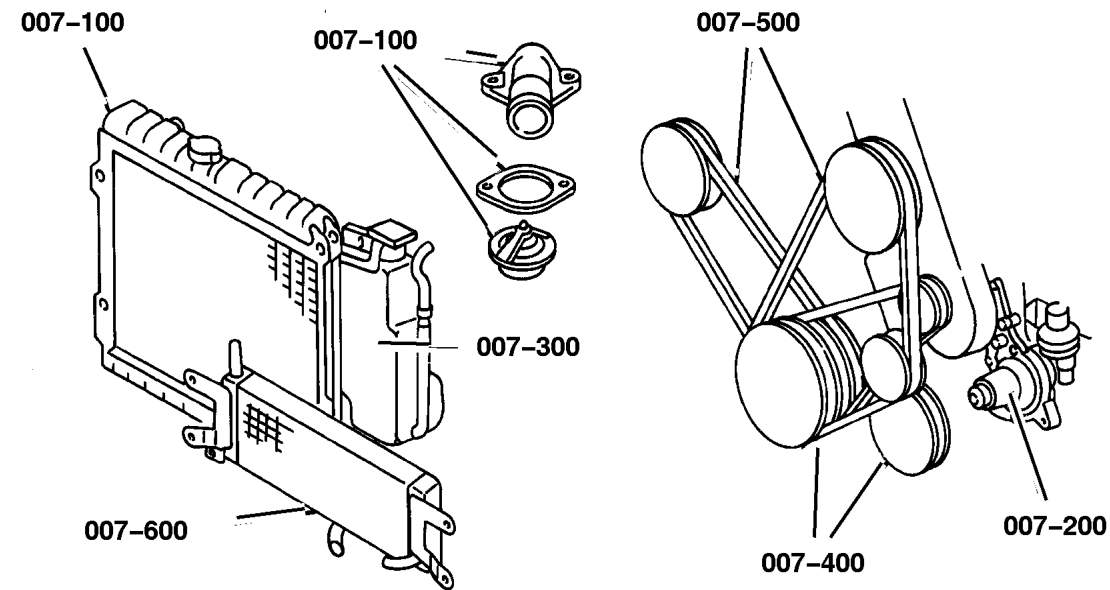
# Group – 007

## Cooling

### GROUP 7 - Cooling

Illustration Title

Group-Fig. No.



#### Radiator and Related Parts

Radiator And Related Parts ..... Fig. 007-110

#### Water Pump and Related Parts

Water Pump, 2.4L Engine ..... Fig. 007-202

Water Pump, 4.0L Engine ..... Fig. 007-205

#### Tank, Coolant Engine

Tank, Coolant Recovery ..... Fig. 007-310

#### Pulleys and Related Parts

Drive Pulleys, 2.4L Engine ..... Fig. 007-402

Drive Pulleys, 4.0L Engine ..... Fig. 007-405

#### Drive Belts

Drive Belts, 2.4L Engine ..... Fig. 007-510

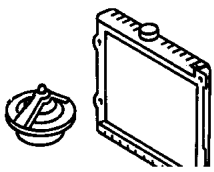

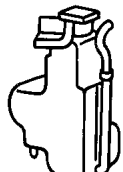
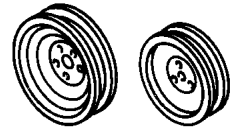
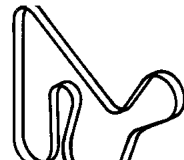
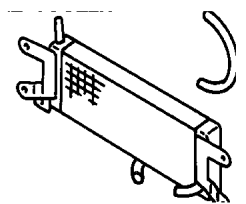
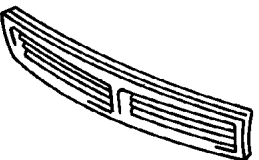
Drive Belts, 4.0L Engine ..... Fig. 007-515

#### Lines, Transmission Oil Cooler

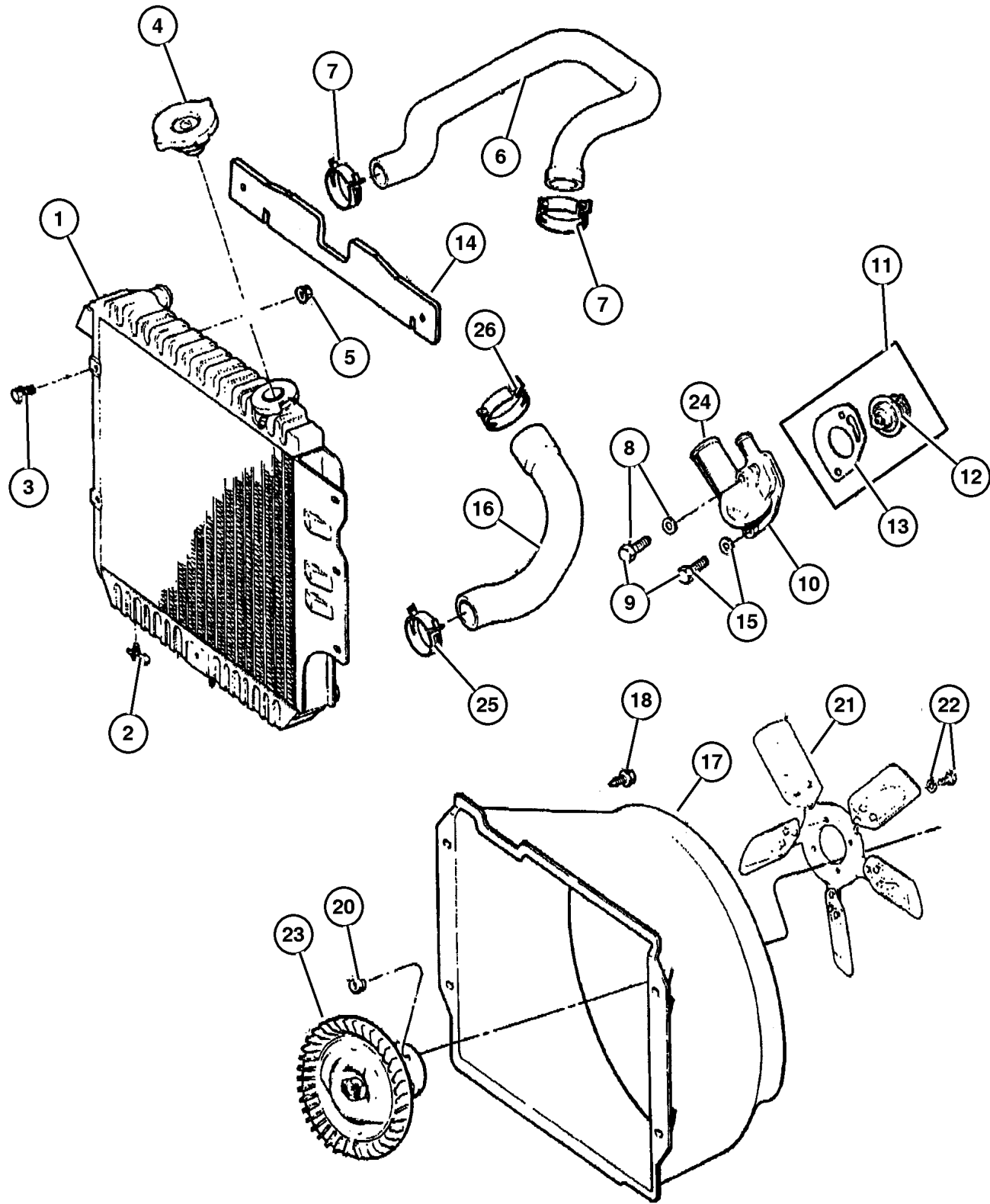
Oil Cooler Lines ..... Fig. 007-610

#### Grilles

Grille And Related Parts ..... Fig. 007-705

|  |  |  |   |
|--|--|--|---|
| <p><b>007-100</b><br/>Radiator and Related Parts</p>  | <p><b>007-200</b><br/>Water Pump and Related Parts</p>    | <p><b>007-300</b><br/>Tank, Coolant Engine</p>  | <p><b>007-400</b><br/>Pulleys and Related Parts</p>  |
| <p><b>007-500</b><br/>Drive Belts</p>                 | <p><b>007-600</b><br/>Lines, Transmission Oil Cooler</p>  | <p><b>007-700</b><br/>Grilles</p>              |   |

**Radiator And Related Parts**  
**Figure 007-110**



| ITEM                                   | PART NUMBER | QTY | LINE | SERIES | BODY | ENGINE | TRANS | TRIM | DESCRIPTION  |
|--|-------------|-----|------|--------|------|--------|-------|------|--|
| Note: Sales Code DBB = Manual Trans    |             |     |      |        |      |        |       |      |  |
| Note: Sales Code DGO = All Auto Trans  |             |     |      |        |      |        |       |      |  |
| Note: Sales Code ERO = 4.0L Gas Engine |             |     |      |        |      |        |       |      |  |
| 1                                      |             |     |      |        |      |        |       |      | RADIATOR, Engine Cooling   |
|  | 55037 652AA | 1   | J    |        |      |        |       |      |  |
|  | 55037 653AC | 1   | J    |        |      |        |       |      |  |
|  | 55037 654AC | 1   | U    |        |      | ER0    |       |      |  |
| 2                                      | 4773 259    | 1   | J    |        |      |        |       |      | DRAINCOCK, Radiator  |
| 3                                      |             |     |      |        |      |        |       |      | SCREW, (NOT SERVICED) (Not Serviced)                                   |
| 4                                      | 55116 901AA | 1   |      |        |      |        |       |      | CAP, Radiator  |
| 5                                      |             |     |      |        |      |        |       |      | U-NUT, Multi-Thread Spring, 1/4-20, (NOT SERVICED) (Not Serviced)      |
| 6                                      |             |     |      |        |      |        |       |      | HOSE, Radiator   |
|  | 52028 264AB | 1   | J    |        |      | ER0    |       |      | Upper  |
|  | 52080 030AD | 1   |      |        |      | ED1    |       |      | Upper  |
|  | 52028 144AC | 1   | U    |        |      | ER0    |       |      | Upper  |
| 7                                      | 5200 5580   | 1   |      |        |      | ER0    |       |      | CLAMP, Hose to Radiator  |
| 8                                      | 6034 356    | 1   |      |        |      | ER0    |       |      | SCREW AND WASHER, Hex Head, .312-18x2.38                               |
| 9                                      | 6503 334    | 3   |      |        |      | ED0    |       |      | BOLT, Hex Flange Head, M8x1.25x28                                      |
| 10                                     | 5300 6192   | 1   |      |        |      | ER0    |       |      | HOUSING, Thermostat  |
| 11                                     | 52028 186AB | 1   |      |        |      | ER0    |       |      | THERMOSTAT, 195 Degrees  |
| 12                                     | 53010 552AA | 1   |      |        |      | ED0    |       |      | THERMOSTAT   |
| 13                                     |             |     |      |        |      |        |       |      | GASKET, Thermostat   |
|  | 53010 554AA | 1   |      |        |      | ED0    |       |      |  |
|  | 53020 547AC | 1   |      |        |      | ER0    |       |      |  |
| 14                                     | 5503 6369   | 1   |      |        |      |        |       |      | SEAL, Condenser  |
| 15                                     | 6034 927    | 1   |      |        |      | ER0    |       |      | SCREW AND WASHER, Hex Head, .312-18x.970                               |
| 16                                     |             |     |      |        |      |        |       |      | HOSE, Radiator   |
|  | 52028 265AD | 1   | J    |        |      | ER0    |       |      | Lower  |
|  | 52080 031AD | 1   |      |        |      | ED1    |       |      | Lower  |
|  | 52028 265AD | 1   | U    |        |      | ER0    |       |      | Lower  |
| 17                                     |             |     |      |        |      |        |       |      | SHROUD, Fan  |
|  | 52027 925AC | 1   | J    |        |      | ER0    |       |      |  |
|  | 52028 127AD | 1   | U    |        |      | ER0    |       |      |  |
| 18                                     |             |     |      |        |      |        |       |      | SCREW AND WASHER, Hex Head, .25-20x.875, (NOT SERVICED) (Not Serviced) |

**JEEP WRANGLER (TJ)**

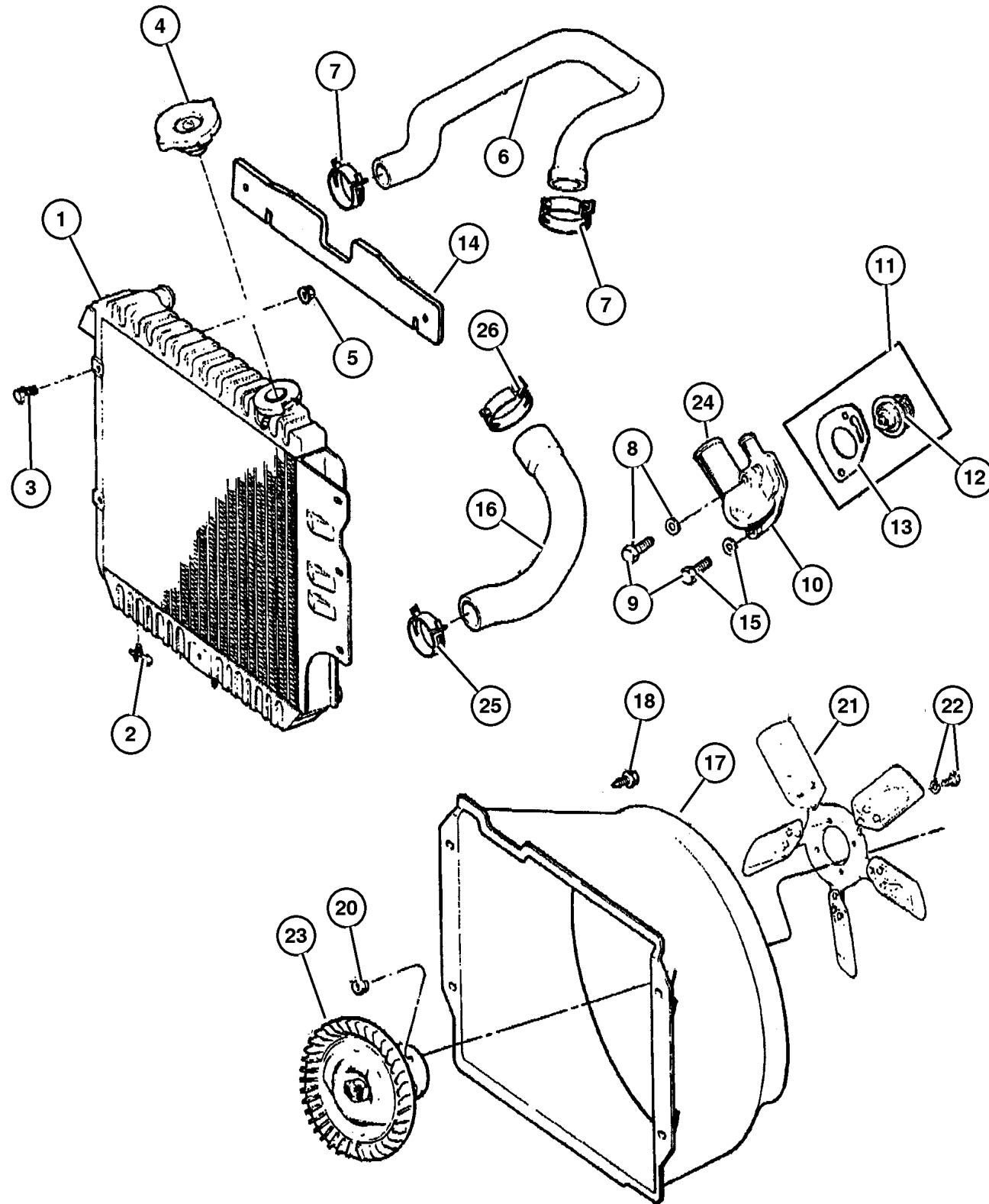
|             |                        |              |                       |                              |
|-------------|------------------------|--------------|-----------------------|------------------------------|
| SERIES      | LINE                   | BODY         | ENGINE                | TRANSMISSION                 |
| H = Sport   | J = Wrangler 4WD       | 77 = 93.4 WB | ED1, ED0 = 2.4L DOHC  | DGG, DGD = 32RH 3 Spd. Auto. |
| L = SE      | U = Wrangler 4WD (RHD) |              | ERH = 4.0L Power Tech | DDD = 5 Speed HD Manual      |
| M = X       |                        |              |                       | DGO = Auto. Trans.           |
| P = Sahara  |                        |              |                       | DBB = Manual Trans.          |
| S = Rubicon |                        |              |                       | DDK = 5 Speed Manual         |

AR = Use as required - = Non illustrated part # = New this model year

August 27, 2004

**Radiator And Related Parts  
Figure 007-110**

| ITEM | PART NUMBER | QTY | LINE | SERIES | BODY | ENGINE | TRANS | TRIM | DESCRIPTION   |
|------|-------------|-----|------|--------|------|--------|-------|------|---|
| -19  | 5202 7893   | 1   |      |        |      | ER0    |       |      | FAN, Cooling  |
| 20   |             |     |      |        |      |        |       |      | NUT, Spring Type, .164-7.5, (NOT SERVICED) (Not Serviced) |
| 21   | 5202 7893   | 1   |      |        |      | ER0    |       |      | FAN, Cooling  |
| 22   | 6034 860    | 4   |      |        |      | ED0,   |       |      | BOLT AND WASHER, Implement                                |
|      |             |     |      |        |      | ER0    |       |      | Attaching   |
| 23   | 52027 883AC | 1   |      |        |      | ER0    |       |      | DRIVE, Fan  |
| 24   | 4781 489AA  | 1   |      |        |      | ED0    |       |      | CONNECTOR, Water Outlet                                   |
| 25   | 6502 089    | 1   |      |        |      |        |       |      | CLAMP, HOSE CLAMP   |
| 26   | 3200 2366   | 1   |      |        |      |        |       |      | CLAMP, Hose, 55mm Black                                   |



|                           |                        |              |                       |                              |
|---------------------------|------------------------|--------------|-----------------------|------------------------------|
| <b>JEEP WRANGLER (TJ)</b> |                        |              |                       |                              |
| SERIES                    | LINE                   | BODY         | ENGINE                | TRANSMISSION                 |
| H = Sport                 | J = Wrangler 4WD       | 77 = 93.4 WB | ED1, ED0 = 2.4L DOHC  | DGG, DGD = 32RH 3 Spd. Auto. |
| L = SE                    | U = Wrangler 4WD (RHD) |              | ERH = 4.0L Power Tech | DDD = 5 Speed HD Manual      |
| M = X                     |                        |              |                       | DG0 = Auto. Trans.           |
| P = Sahara                |                        |              |                       | DBB = Manual Trans.          |
| S = Rubicon               |                        |              |                       | DDK = 5 Speed Manual         |

AR = Use as required - = Non illustrated part # = New this model year

August 27, 2004

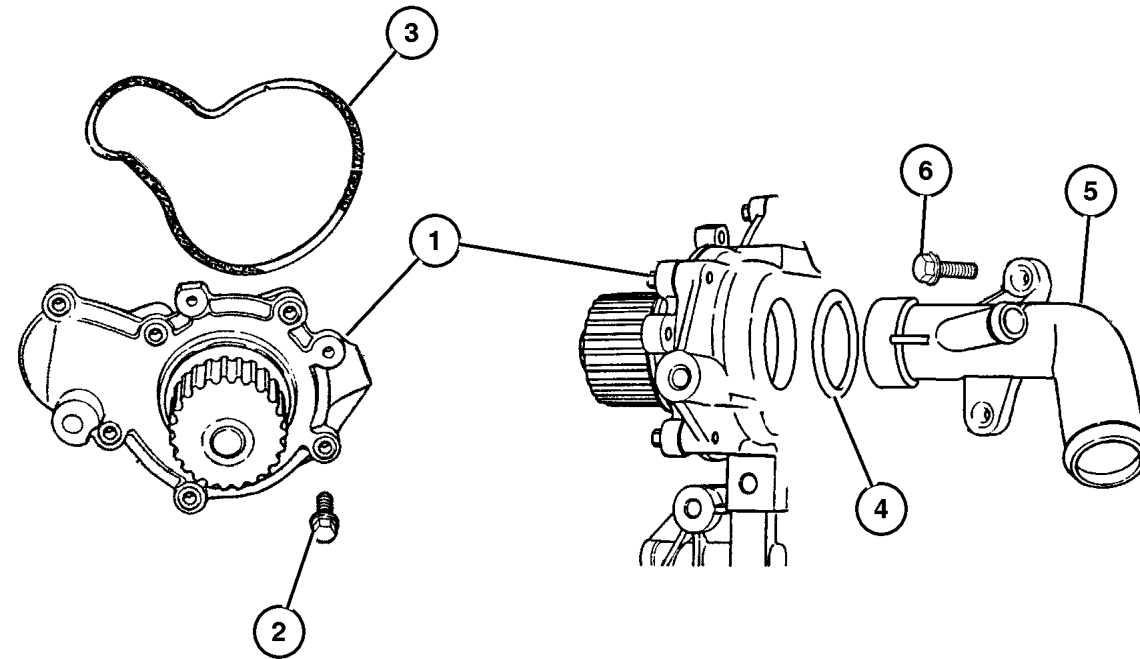
**Water Pump, 2.4L Engine  
Figure 007-202**

| ITEM | PART NUMBER | QTY | LINE | SERIES | BODY | ENGINE | TRANS | TRIM | DESCRIPTION |
|------|-------------|-----|------|--------|------|--------|-------|------|-------------|
|------|-------------|-----|------|--------|------|--------|-------|------|-------------|

NOTE: Sales Codes:

[EDZ] = 2.4L 4 CYL DOHC 16V

|   |             |   |  |  |  |     |  |  |                           |
|---|-------------|---|--|--|--|-----|--|--|---------------------------|
| 1 | 4694 307AC  | 1 |  |  |  | ED0 |  |  | PUMP, Water               |
| 2 | 6503 255    | 4 |  |  |  | ED0 |  |  | BOLT, Hex Head, M6x1.0x22 |
| 3 | 4621 564    | 1 |  |  |  | ED0 |  |  | SEAL, Water Pump Body     |
| 4 | 6503 180    | 1 |  |  |  | ED0 |  |  | O RING, Water Inlet Tube  |
| 5 | 53010 517AC | 1 |  |  |  | ED0 |  |  | TUBE, Water Pump Inlet    |
| 6 | 6506 770AA  | 5 |  |  |  | ED0 |  |  | SCREW                     |



**JEEP WRANGLER (TJ)**

|             |                        |              |                       |                              |
|-------------|------------------------|--------------|-----------------------|------------------------------|
| SERIES      | LINE                   | BODY         | ENGINE                | TRANSMISSION                 |
| H = Sport   | J = Wrangler 4WD       | 77 = 93.4 WB | ED1, ED0 = 2.4L DOHC  | DGG, DGD = 32RH 3 Spd. Auto. |
| L = SE      | U = Wrangler 4WD (RHD) |              | ERH = 4.0L Power Tech | DDD = 5 Speed HD Manual      |
| M = X       |                        |              |                       | DG0 = Auto. Trans.           |
| P = Sahara  |                        |              |                       | DBB = Manual Trans.          |
| S = Rubicon |                        |              |                       | DDK = 5 Speed Manual         |

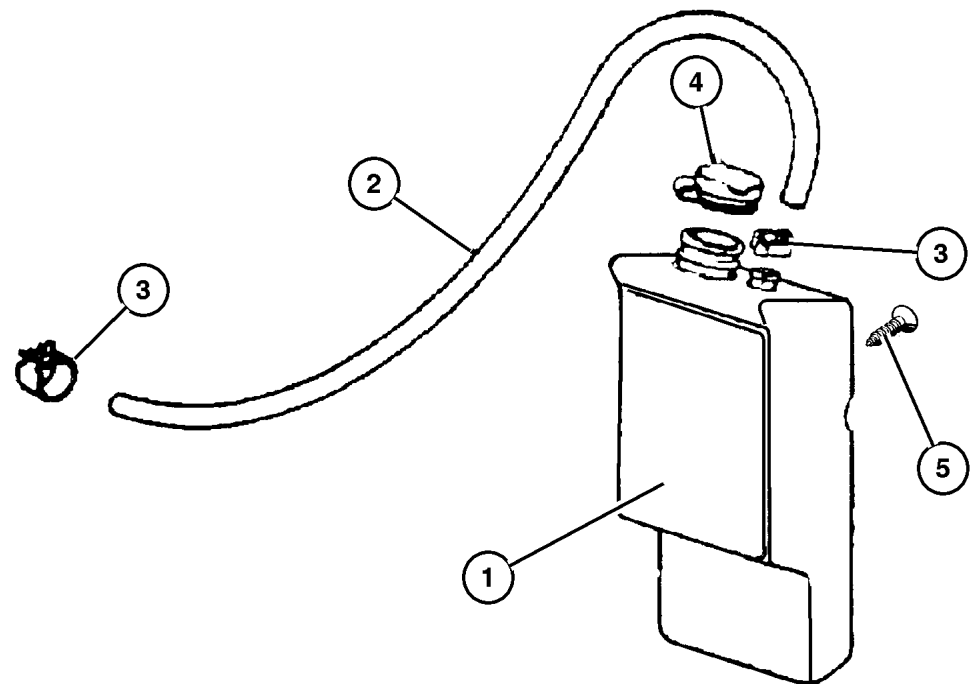
AR = Use as required - = Non illustrated part # = New this model year

August 27, 2004





**Tank, Coolant Recovery  
Figure 007-310**



| ITEM                                   | PART NUMBER | QTY | LINE | SERIES | BODY | ENGINE      | TRANS | TRIM | DESCRIPTION   |
|--|-------------|-----|------|--------|------|-------------|-------|------|---|
| Note: Sales Code ER0 = 4.0L Gas Engine |             |     |      |        |      |             |       |      |   |
| Note: Sales Code ED0 = 2.4L Gas Engine |             |     |      |        |      |             |       |      |   |
| 1                                      | 52028 065AF | 1   |      |        |      | ED0,<br>ER0 |       |      | BOTTLE, Coolant Recovery                                    |
| 2                                      |             |     |      |        |      |             |       |      | HOSE, 5/8" I.D. 50 Foot Roll, (NOT SERVICED) (Not Serviced) |
| 3                                      | J318 0725   | 1   |      |        |      | ED0,<br>ER0 |       |      | CLAMP, Hose   |
| 4                                      | 5207 9331   | 1   |      |        |      | ED0,<br>ER0 |       |      | CAP, Coolant Reserve Tank                                   |
| 5                                      |             |     |      |        |      |             |       |      | SCREW, (NOT SERVICED) (Not Serviced)                        |

|                           |                        |              |                       |                              |
|---------------------------|------------------------|--------------|-----------------------|------------------------------|
| <b>JEEP WRANGLER (TJ)</b> |                        |              |                       |                              |
| SERIES                    | LINE                   | BODY         | ENGINE                | TRANSMISSION                 |
| H = Sport                 | J = Wrangler 4WD       | 77 = 93.4 WB | ED1, ED0 = 2.4L DOHC  | DGG, DGD = 32RH 3 Spd. Auto. |
| L = SE                    | U = Wrangler 4WD (RHD) |              | ERH = 4.0L Power Tech | DDD = 5 Speed HD Manual      |
| M = X                     |                        |              |                       | DG0 = Auto. Trans.           |
| P = Sahara                |                        |              |                       | DBB = Manual Trans.          |
| S = Rubicon               |                        |              |                       | DDK = 5 Speed Manual         |

AR = Use as required - = Non illustrated part # = New this model year

August 27, 2004

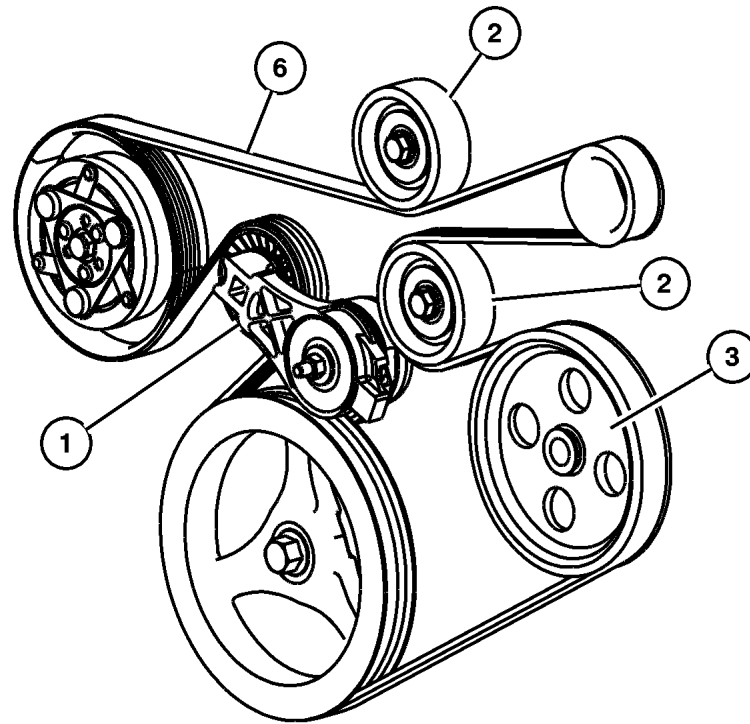
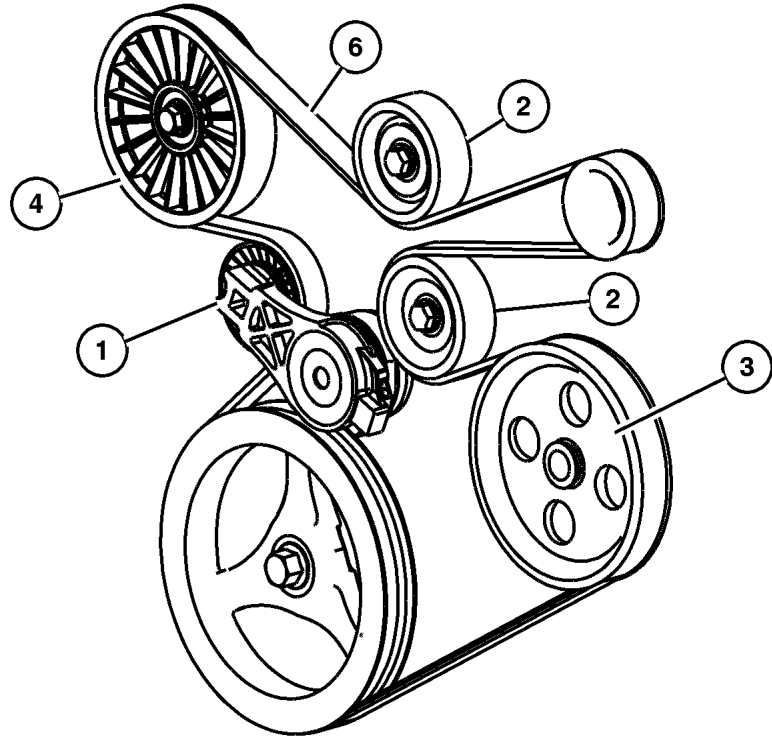
Drive Pulleys, 2.4L Engine  
Figure 007-402

| ITEM | PART NUMBER | QTY | LINE | SERIES | BODY | ENGINE | TRANS | TRIM | DESCRIPTION |
|------|-------------|-----|------|--------|------|--------|-------|------|-------------|
|------|-------------|-----|------|--------|------|--------|-------|------|-------------|

Note; Sales Codes

[ED0]= All 2.2L, 2.5L, 2.4L, 4 C

|    |             |   |  |  |  |     |  |  |   |
|----|-------------|---|--|--|--|-----|--|--|---|
| 1  | 4861 277AB  | 1 |  |  |  | ED0 |  |  | TENSIONER, Belt                         |
| 2  | 53013 324AA | 2 |  |  |  | ED0 |  |  | PULLEY, Idler                           |
| 3  | 53031 722AA | 1 |  |  |  | ED0 |  |  | PULLEY, Power Steering Pump             |
| 4  | 53013 366AA | 1 |  |  |  | ED0 |  |  | PULLEY, Idler, without Air Conditioning |
| -5 | 3420 2781   | 1 |  |  |  | ED0 |  |  | SCREW                                   |
| 6  |             |   |  |  |  |     |  |  | BELT, Accessory Drive                   |
|    | 5281 351AC  | 1 |  |  |  | ED0 |  |  | without Air Conditioning                |
|    | 53013 352AD | 1 |  |  |  | ED0 |  |  | with Air Conditioning                   |



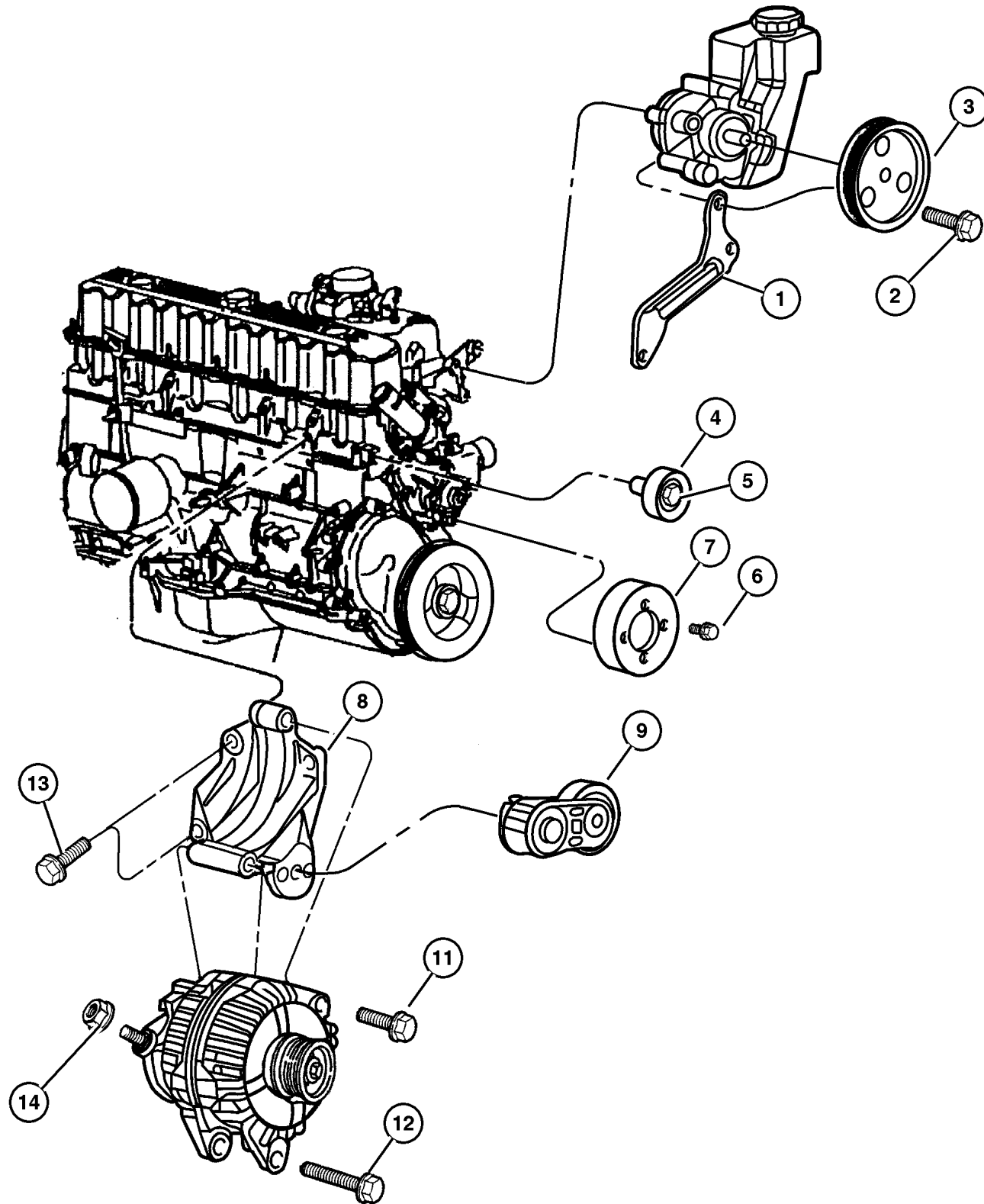
JEEP WRANGLER (TJ)

| SERIES      | LINE                   | BODY         | ENGINE                | TRANSMISSION                 |
|-------------|------------------------|--------------|-----------------------|------------------------------|
| H = Sport   | J = Wrangler 4WD       | 77 = 93.4 WB | ED1, ED0 = 2.4L DOHC  | DGG, DGD = 32RH 3 Spd. Auto. |
| L = SE      | U = Wrangler 4WD (RHD) |              | ERH = 4.0L Power Tech | DDD = 5 Speed HD Manual      |
| M = X       |                        |              |                       | DG0 = Auto. Trans.           |
| P = Sahara  |                        |              |                       | DBB = Manual Trans.          |
| S = Rubicon |                        |              |                       | DDK = 5 Speed Manual         |

AR = Use as required - = Non illustrated part # = New this model year

August 27, 2004

Drive Pulleys, 4.0L Engine  
Figure 007-405



| ITEM                   | PART NUMBER | QTY | LINE | SERIES | BODY | ENGINE | TRANS | TRIM | DESCRIPTION                                    |
|------------------------|-------------|-----|------|--------|------|--------|-------|------|--|
| Note: Sales Code       |             |     |      |        |      |        |       |      |  |
| ERO = All 4.0L Engines |             |     |      |        |      |        |       |      |  |
| EVO = All 4.7L Engines |             |     |      |        |      |        |       |      |  |
| 1                      | 4854 157    | 1   |      |        |      | ERO    |       |      | BRACE, Power Steering Pump                     |
| 2                      | 6502 425    | 3   |      |        |      | ERO    |       |      | SCREW AND WASHER, Hex Head, M8x1.25x95         |
| 3                      | 53010 258AB | 1   |      |        |      | ERO    |       |      | PULLEY, Power Steering Pump                    |
| 4                      | 4854 092    | 1   |      |        |      | ERO    |       |      | PULLEY, Idler                                  |
| 5                      | 0153 748    | 1   |      |        |      | ERO    |       |      | SCREW AND WASHER, Hex                          |
| 6                      | 6034 860    | 4   |      |        |      | ERO    |       |      | BOLT AND WASHER, Implement Attaching           |
| 7                      | 4854 032    | 1   |      |        |      | ERO    |       |      | PULLEY, Water Pump                             |
| 8                      | 4854 026    | 1   |      |        |      | ERO    |       |      | BRACKET, Alternator                            |
| 9                      | 4854 089AB  | 1   |      |        |      | ERO    |       |      | TENSIONER, Alternator Belt                     |
| -10                    | 6507 743AA  | 1   |      |        |      | ERO    |       |      | SCREW  |
| 11                     | 6505 488AA  | 1   |      |        |      | ERO    |       |      | SCREW AND WASHER, Hex                          |
| 12                     | 6504 344    | 1   |      |        |      | ERO    |       |      | SCREW AND WASHER, Hex Head                     |
| 13                     | 0154 854AA  | 4   |      |        |      | ERO    |       |      | SCREW AND WASHER, Hex                          |
| 14                     |             |     |      |        |      |        |       |      | NUT, M8x1.25, (NOT SERVICED)<br>(Not Serviced) |

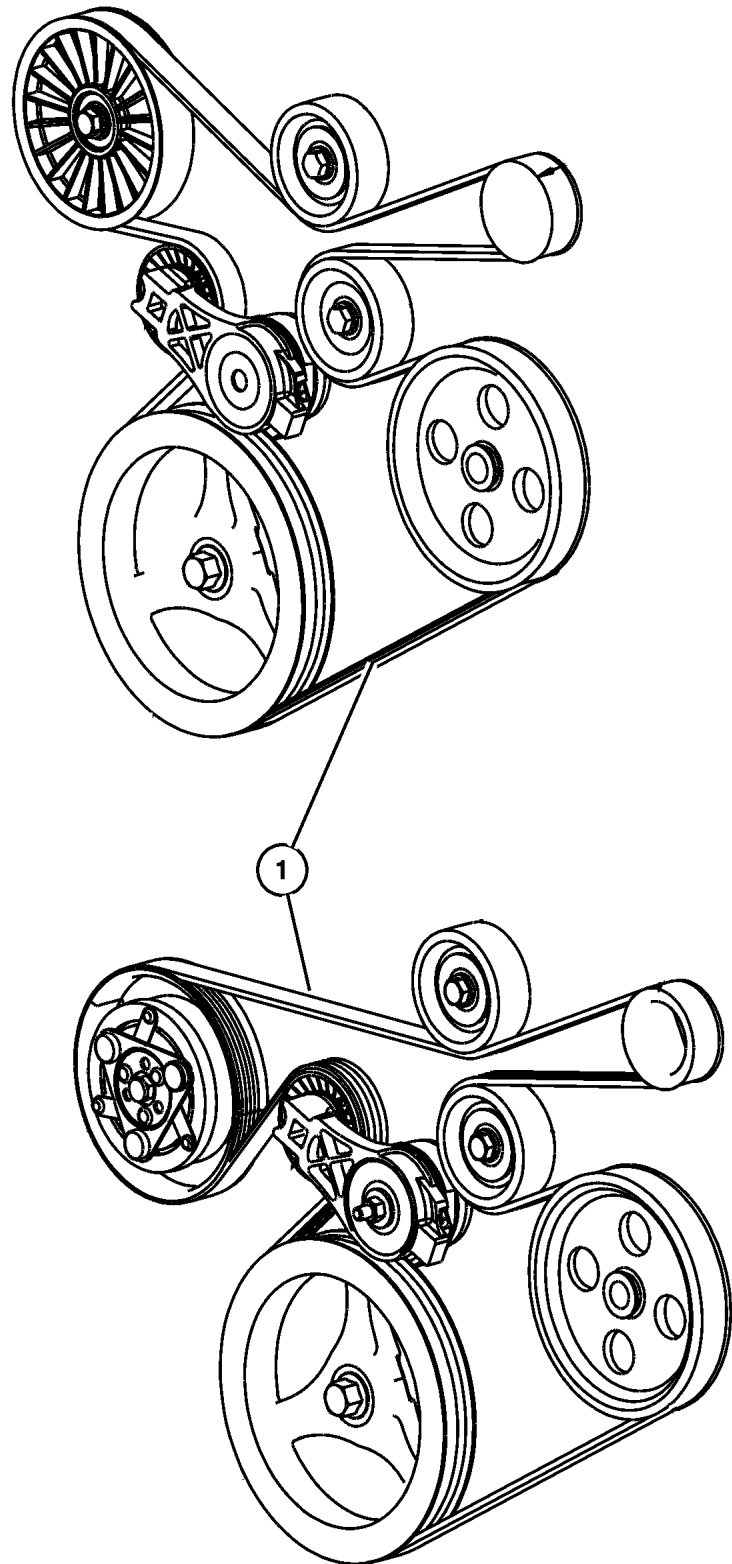
JEEP WRANGLER (TJ)

| SERIES      | LINE                   | BODY         | ENGINE                | TRANSMISSION                 |
|-------------|------------------------|--------------|-----------------------|------------------------------|
| H = Sport   | J = Wrangler 4WD       | 77 = 93.4 WB | ED1, ED0 = 2.4L DOHC  | DGG, DGD = 32RH 3 Spd. Auto. |
| L = SE      | U = Wrangler 4WD (RHD) |              | ERH = 4.0L Power Tech | DDD = 5 Speed HD Manual      |
| M = X       |                        |              |                       | DG0 = Auto. Trans.           |
| P = Sahara  |                        |              |                       | DBB = Manual Trans.          |
| S = Rubicon |                        |              |                       | DDK = 5 Speed Manual         |

AR = Use as required - = Non illustrated part # = New this model year

August 27, 2004

Drive Belts, 2.4L Engine  
Figure 007-510



| ITEM | PART NUMBER | QTY | LINE | SERIES | BODY | ENGINE | TRANS | TRIM | DESCRIPTION |
|------|-------------|-----|------|--------|------|--------|-------|------|-------------|
|------|-------------|-----|------|--------|------|--------|-------|------|-------------|

Note; Sales Codes

[ED0]= All 2.2L, 2.5L, 2.4L, 4 Cylinder

|   |             |   |  |  |  |     |  |  |   |
|---|-------------|---|--|--|--|-----|--|--|---|
| 1 | 5281 351AC  | 1 |  |  |  | ED0 |  |  | BELT, Accessory Drive with Air Conditioning |
|   | 53013 352AD | 1 |  |  |  | ED0 |  |  | without Air Conditioning                    |

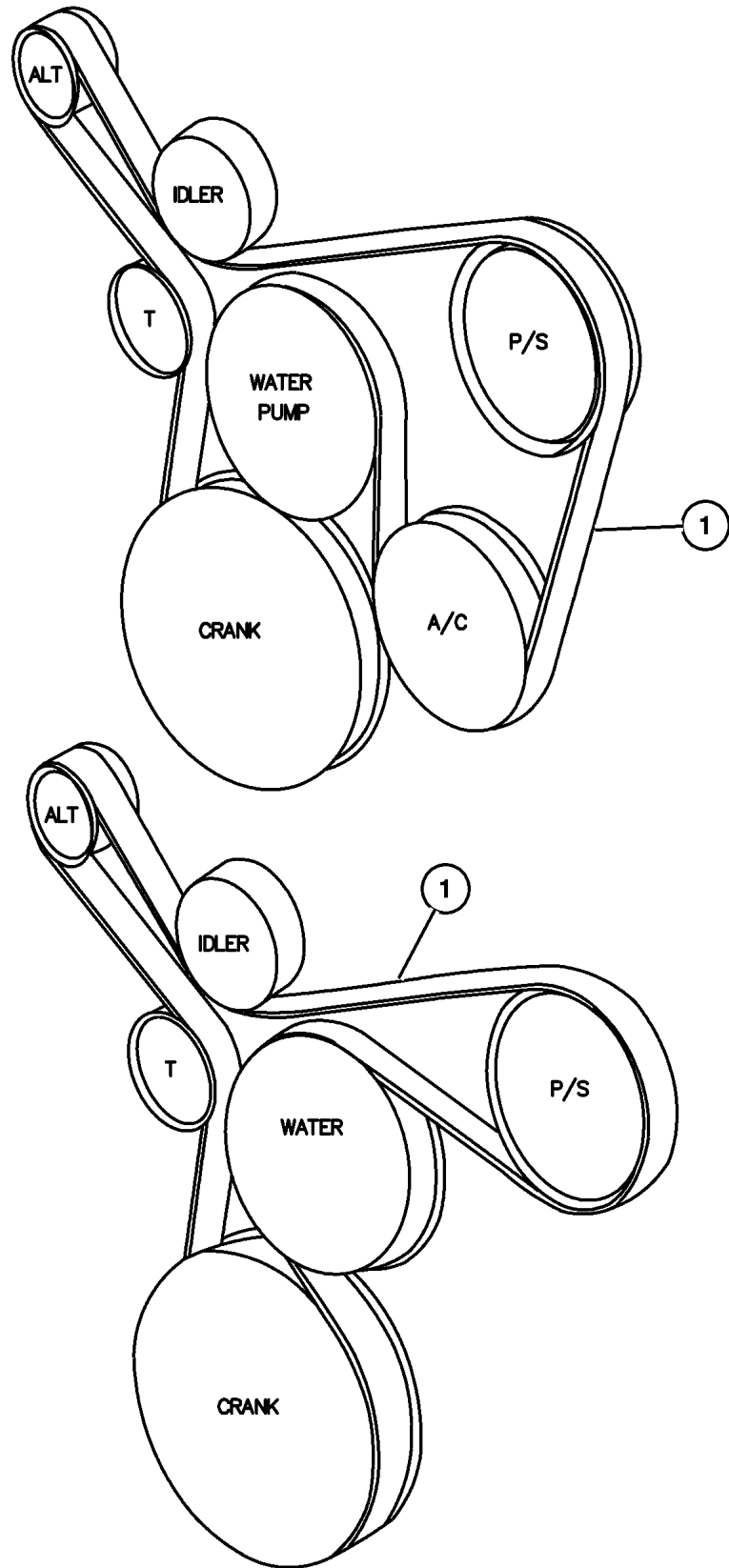
JEEP WRANGLER (TJ)

| SERIES      | LINE                   | BODY         | ENGINE                | TRANSMISSION                 |
|-------------|------------------------|--------------|-----------------------|------------------------------|
| H = Sport   | J = Wrangler 4WD       | 77 = 93.4 WB | ED1, ED0 = 2.4L DOHC  | DGG, DGD = 32RH 3 Spd. Auto. |
| L = SE      | U = Wrangler 4WD (RHD) |              | ERH = 4.0L Power Tech | DDD = 5 Speed HD Manual      |
| M = X       |                        |              |                       | DG0 = Auto. Trans.           |
| P = Sahara  |                        |              |                       | DBB = Manual Trans.          |
| S = Rubicon |                        |              |                       | DDK = 5 Speed Manual         |

AR = Use as required - = Non illustrated part # = New this model year

August 27, 2004

Drive Belts, 4.0L Engine  
Figure 007-515



| ITEM | PART NUMBER | QTY | LINE | SERIES | BODY | ENGINE | TRANS | TRIM | DESCRIPTION              |
|------|-------------|-----|------|--------|------|--------|-------|------|--------------------------|
| 1    |             |     |      |        |      |        |       |      | BELT, Accessory Drive    |
|      | 53013 209AC | 1   |      |        |      | ER0    |       |      | without Air Conditioning |
|      | 4854 033AB  | 1   |      |        |      | ER0    |       |      | with Air Conditioning    |
| -2   | 53031 700AB | 1   |      |        |      | ER0    |       |      | LABEL, Belt Routing      |

JEEP WRANGLER (TJ)

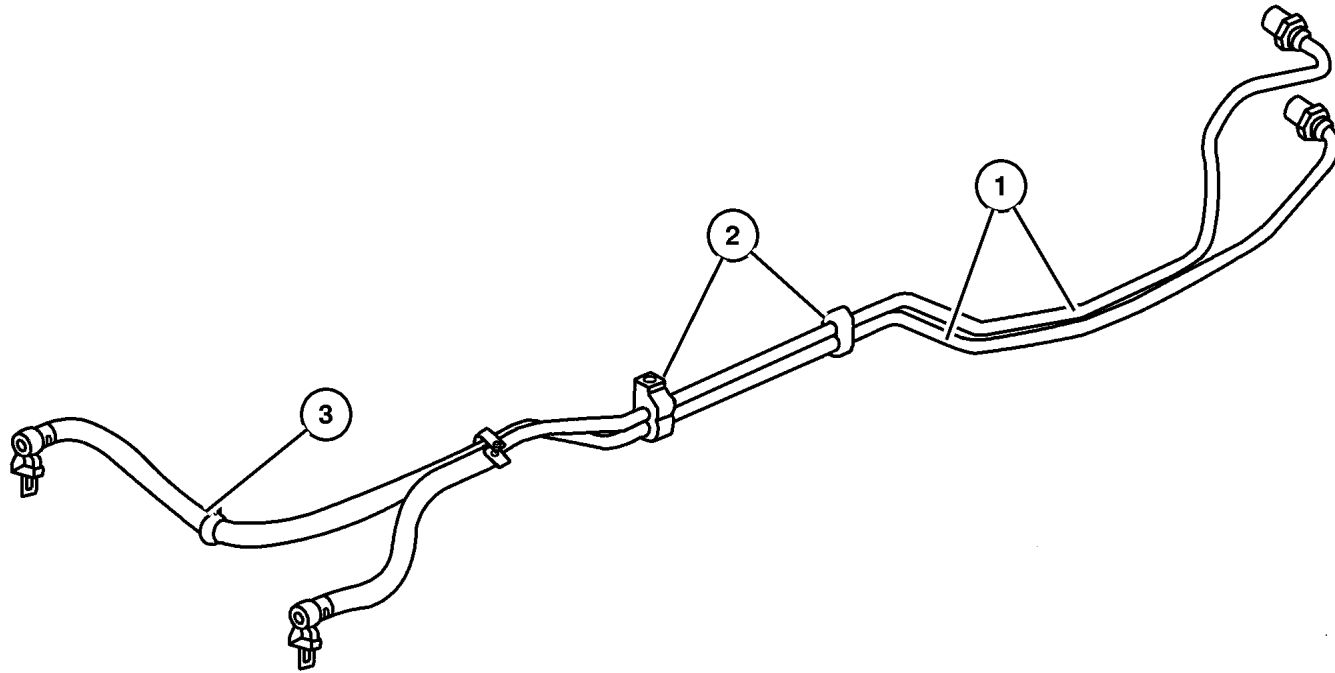
|             |                        |              |                       |                              |
|-------------|------------------------|--------------|-----------------------|------------------------------|
| SERIES      | LINE                   | BODY         | ENGINE                | TRANSMISSION                 |
| H = Sport   | J = Wrangler 4WD       | 77 = 93.4 WB | ED1, ED0 = 2.4L DOHC  | DGG, DGD = 32RH 3 Spd. Auto. |
| L = SE      | U = Wrangler 4WD (RHD) |              | ERH = 4.0L Power Tech | DDD = 5 Speed HD Manual      |
| M = X       |                        |              |                       | DG0 = Auto. Trans.           |
| P = Sahara  |                        |              |                       | DBB = Manual Trans.          |
| S = Rubicon |                        |              |                       | DDK = 5 Speed Manual         |

AR = Use as required - = Non illustrated part # = New this model year

August 27, 2004

**Oil Cooler Lines  
Figure 007-610**

| ITEM | PART NUMBER | QTY | LINE | SERIES | BODY | ENGINE | TRANS | TRIM | DESCRIPTION                  |
|------|-------------|-----|------|--------|------|--------|-------|------|------------------------------|
| 1    |             |     |      |        |      |        |       |      | TUBE & HOSE, Supply & Return |
|      | 52080 128AE | 1   |      |        |      | ED0    |       |      |                              |
|      | 55037 624AI | 1   |      |        |      | ER0    |       |      |                              |
| 2    | 6035 358    | 1   | U    |        |      |        |       |      | CLIP, Oil Cooler Tube        |
| 3    | 5200 2044   | 1   | U    |        |      |        |       |      | CLIP, Tube                   |
| -4   | 4531 202    | 1   |      |        |      | ED0    |       |      | CONNECTOR, Oil Cooler Hose   |

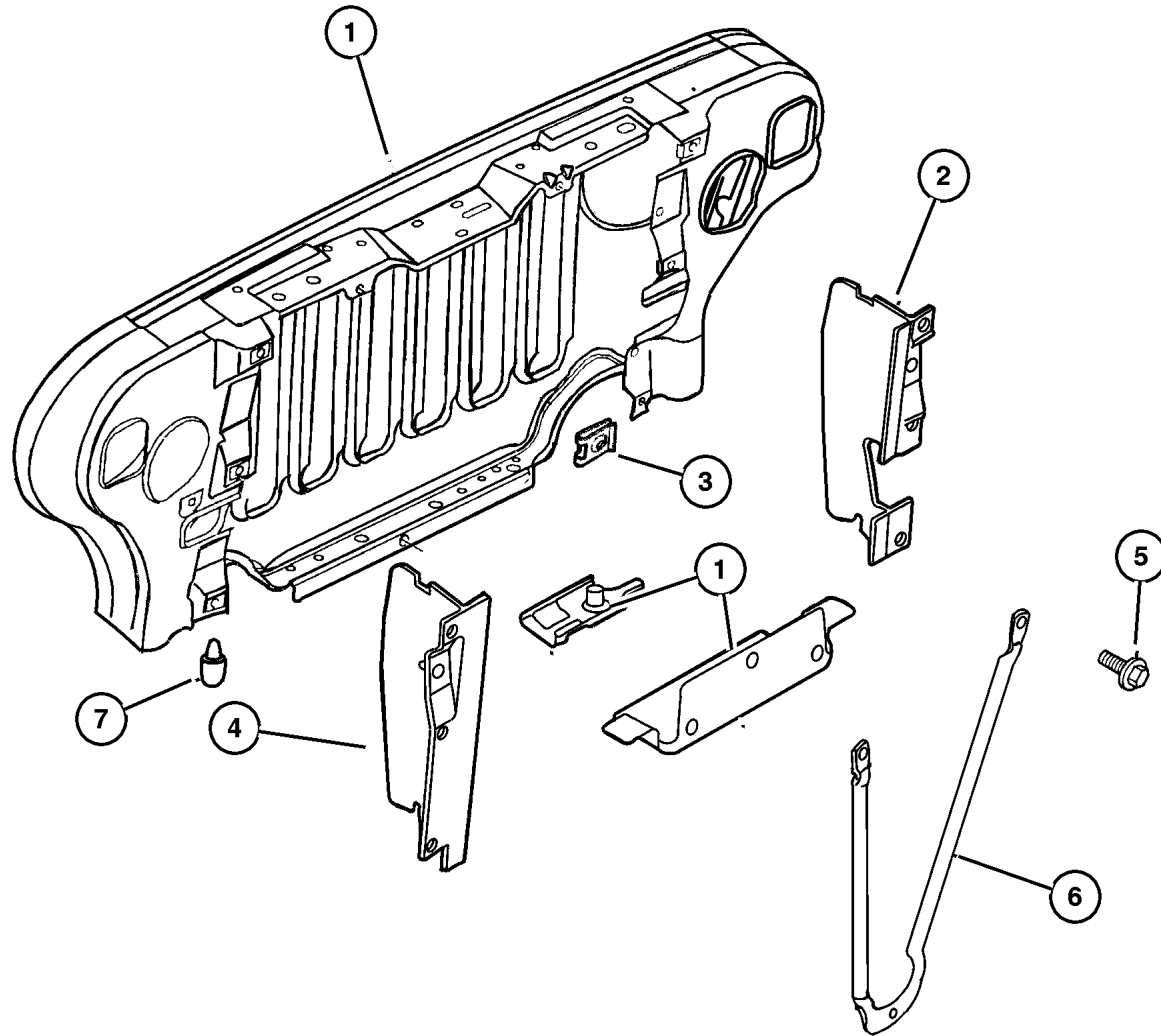


|                           |                        |              |                       |                              |
|---------------------------|------------------------|--------------|-----------------------|------------------------------|
| <b>JEEP WRANGLER (TJ)</b> |                        |              |                       |                              |
| SERIES                    | LINE                   | BODY         | ENGINE                | TRANSMISSION                 |
| H = Sport                 | J = Wrangler 4WD       | 77 = 93.4 WB | ED1, ED0 = 2.4L DOHC  | DGG, DGD = 32RH 3 Spd. Auto. |
| L = SE                    | U = Wrangler 4WD (RHD) |              | ERH = 4.0L Power Tech | DDD = 5 Speed HD Manual      |
| M = X                     |                        |              |                       | DG0 = Auto. Trans.           |
| P = Sahara                |                        |              |                       | DBB = Manual Trans.          |
| S = Rubicon               |                        |              |                       | DDK = 5 Speed Manual         |

AR = Use as required - = Non illustrated part # = New this model year

August 27, 2004

**Grille And Related Parts  
Figure 007-705**



| ITEM                                   | PART NUMBER | QTY | LINE | SERIES | BODY | ENGINE | TRANS | TRIM | DESCRIPTION   |
|--|-------------|-----|------|--------|------|--------|-------|------|---|
| Note: Sales Code EP0 = 2.5L Gas Engine |             |     |      |        |      |        |       |      |   |
| Note: Sales Code ERO = 4.0L Gas Engine |             |     |      |        |      |        |       |      |   |
| 1                                      | 55174 594AE | 1   |      |        |      |        |       |      | PANEL, Radiator Closure, after 1-3-97                             |
| 2                                      | 55036 866AC | 1   |      |        |      |        |       |      | SEAL, Condenser, Condenser to Grille,Right                        |
| 3                                      |             |     |      |        |      |        |       |      | U-NUT, Multi-Thread Spring, 1/4-20, (NOT SERVICED) (Not Serviced) |
| 4                                      | 5503 6867   | 1   |      |        |      |        |       |      | SEAL, Condenser, Condenser to Grille, Left                        |
| 5                                      | 6100 548    | 3   |      |        |      |        |       |      | BOLT AND CONED WASHER, Hex Head, M6x20x12.5                       |
| 6                                      | 5517 6218   | 1   |      |        |      |        |       |      | BRACE, Radiator, Radiator Guard                                   |
| 7                                      | 5517 6181   | 2   |      |        |      |        |       |      | ISOLATOR  |
| -8                                     |             |     |      |        |      |        |       |      | DEFLECTOR, Radiator   |
|  | 55176 585AB | 1   |      |        |      |        |       |      | Left  |
|  | 55395 044AB | 1   |      |        |      |        |       |      | Right   |

|                           |                        |              |                       |                              |
|---------------------------|------------------------|--------------|-----------------------|------------------------------|
| <b>JEEP WRANGLER (TJ)</b> |                        |              |                       |                              |
| SERIES                    | LINE                   | BODY         | ENGINE                | TRANSMISSION                 |
| H = Sport                 | J = Wrangler 4WD       | 77 = 93.4 WB | ED1, ED0 = 2.4L DOHC  | DGG, DGD = 32RH 3 Spd. Auto. |
| L = SE                    | U = Wrangler 4WD (RHD) |              | ERH = 4.0L Power Tech | DDD = 5 Speed HD Manual      |
| M = X                     |                        |              |                       | DG0 = Auto. Trans.           |
| P = Sahara                |                        |              |                       | DBB = Manual Trans.          |
| S = Rubicon               |                        |              |                       | DDK = 5 Speed Manual         |

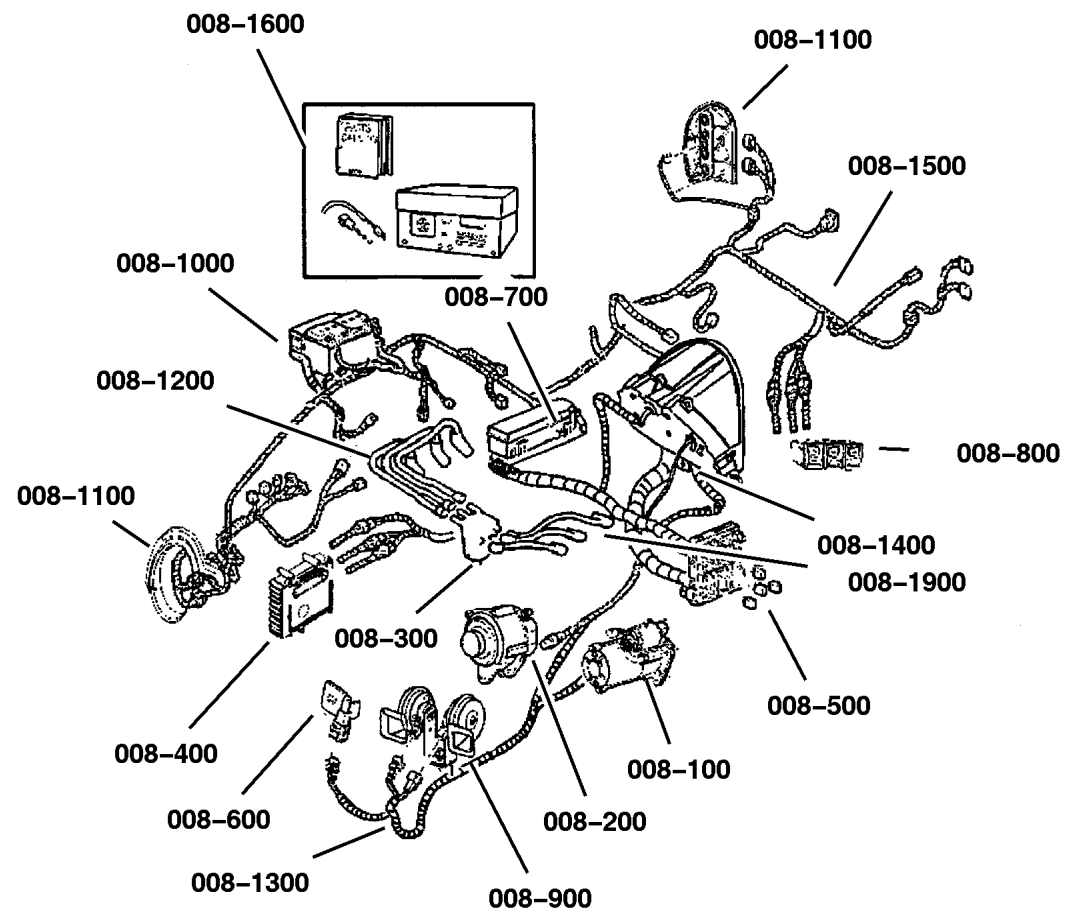
AR = Use as required - = Non illustrated part # = New this model year

August 27, 2004



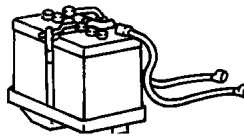
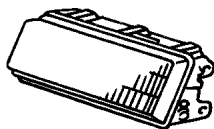
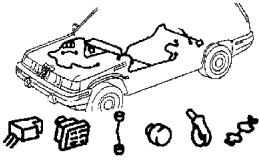


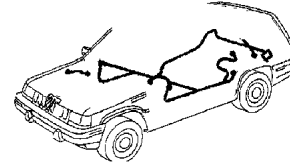

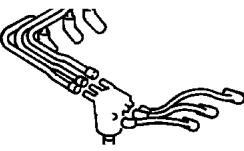
# Group – 008

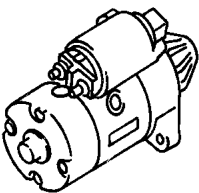
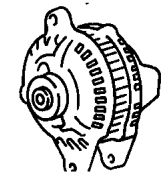
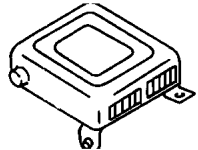
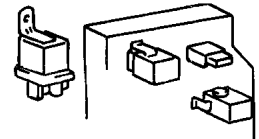
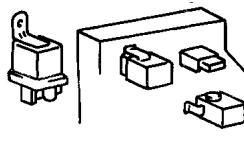
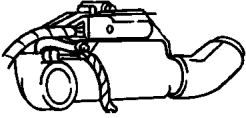
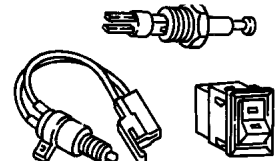
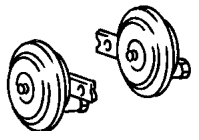
## Electrical



# Group – 008

## Electrical

|  |  |   |   |
|--|--|---|---|
| <b>008-1000</b><br>Battery Tray and Cables<br>    | <b>008-1100</b><br>Lamps – Front, Rear and Courtesy<br> | <b>008-1200</b><br>Wiring-Engine & Related Parts<br> | <b>008-1300</b><br>Wiring-Headlamp to Dash<br> |
| <b>008-1400</b><br>Wiring-Instrument Panel<br>    | <b>008-1500</b><br>Wiring-Body & Accessories<br>        | <b>008-1600</b><br>Wiring Repair<br>WIRING REPAIR PKG.  | <b>008-1700</b><br>Air Bag Systems<br>         |
| <b>008-1900</b><br>Spark Plugs-Cables-Coils<br> |  |   |   |

|   |  |  |   |
|---|--|--|---|
| <b>008-100</b><br>Starters<br> | <b>008-200</b><br>Alternators<br>                     | <b>008-400</b><br>Modules<br>  | <b>008-500</b><br>Relays<br> |
| <b>008-600</b><br>Sensors<br>  | <b>008-700</b><br>Single Board Engine Controllers<br> | <b>008-800</b><br>Switches<br> | <b>008-900</b><br>Horns<br>  |



---

**GROUP 8 - Electrical**

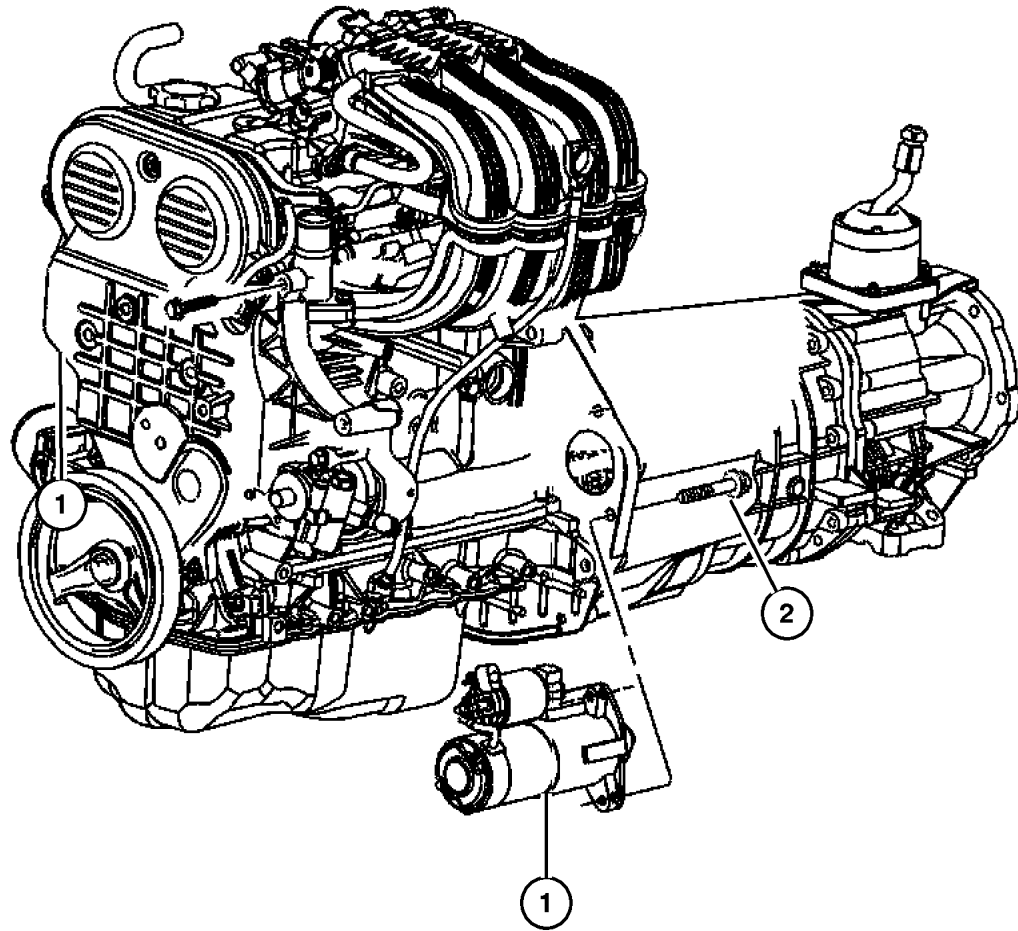
| Illustration Title                                  | Group-Fig. No. |
|---|----------------|
| <b>Starters</b>                                     |                |
| Starter [2.4L Engine] .....                         | Fig. 008-105   |
| Starter [4.0L Engine] .....                         | Fig. 008-110   |
| <b>Alternators</b>                                  |                |
| Alternator 2.4L Engine .....                        | Fig. 008-205   |
| Alternator 4.0L Engine .....                        | Fig. 008-210   |
| <b>Modules</b>                                      |                |
| Modules .....                                       | Fig. 008-405   |
| <b>Relays</b>                                       |                |
| Power Distribution Center Relays and Fuses .....    | Fig. 008-505   |
| Fuse Block .....                                    | Fig. 008-510   |
| <b>Sensors</b>                                      |                |
| Sensors 2.4L Engine [ED0] .....                     | Fig. 008-605   |
| Sensors Engine 4.0L [ER0] .....                     | Fig. 008-610   |
| Sensors, Oxygen 2.4L [ED0] .....                    | Fig. 008-615   |
| Sensors Oxygen 4.0L [ER0] .....                     | Fig. 008-620   |
| Sensors - Body .....                                | Fig. 008-625   |
| Sensors Drive Train .....                           | Fig. 008-630   |
| <b>Single Board Engine Controllers</b>              |                |
| Single Board Engine Controllers (JTEC Module) ..... | Fig. 008-705   |
| <b>Switches</b>                                     |                |
| Switches - Instrument Panel .....                   | Fig. 008-805   |
| Switches Drivetrain .....                           | Fig. 008-810   |
| Switches - Body .....                               | Fig. 008-815   |
| <b>Horns</b>  |                |
| Horns .....   | Fig. 008-905   |
| <b>Battery Tray and Cables</b>                      |                |
| Battery Tray & Cables .....                         | Fig. 008-1005  |
| Engine Heaters .....                                | Fig. 008-1010  |
| <b>Lamps - Front, Rear and Courtesy</b>             |                |
| Lamps--Front .....                                  | Fig. 008-1105  |
| Lamps--Rear .....                                   | Fig. 008-1110  |
| Lamps--Cargo-Dome-Courtesy .....                    | Fig. 008-1115  |
| Bulbs .....   | Fig. 008-1120  |
| <b>Wiring-Engine &amp; Related Parts</b>            |                |
| Wiring--Engine [2.4L Engine] .....                  | Fig. 008-1205  |
| Wiring Engine [4.0L Engine] .....                   | Fig. 008-1210  |

**GROUP 8 - Electrical**

| Illustration Title                    | Group-Fig. No. |
|---------------------------------------|----------------|
| <b>Wiring-Headlamp to Dash</b>        |                |
| Wiring--Headlamp / Dash Panel .....   | Fig. 008-1305  |
| <b>Wiring-Instrument Panel</b>        |                |
| Wiring Instrument Panel & Fuses ..... | Fig. 008-1405  |
| <b>Wiring-Body &amp; Accessories</b>  |                |
| Wiring--Body & Accessory .....        | Fig. 008-1505  |
| <b>Wiring Repair</b>                  |                |
| Wiring Repair Packages .....          | Fig. 008-1605  |
| <b>Air Bag Systems</b>                |                |
| Air Bag Modules and Sensors .....     | Fig. 008-1705  |
| Air Bags and Clock Springs .....      | Fig. 008-1710  |
| <b>Spark Plugs-Cables-Coils</b>       |                |
| Spark Plugs--Cables--Coil .....       | Fig. 008-1905  |

Starter [2.4L Engine]  
Figure 008-105

| ITEM | PART NUMBER | QTY | LINE | SERIES | BODY | ENGINE      | TRANS | TRIM | DESCRIPTION                                     |
|------|-------------|-----|------|--------|------|-------------|-------|------|---|
| 1    | 56041 436AC | 1   |      |        |      | ED0         |       |      | STARTER   |
| 2    | 6102 120AA  | 1   |      |        |      | ED0,<br>ER0 |       |      | SCREW AND WASHER, Hex Head,<br>Starter Mounting |



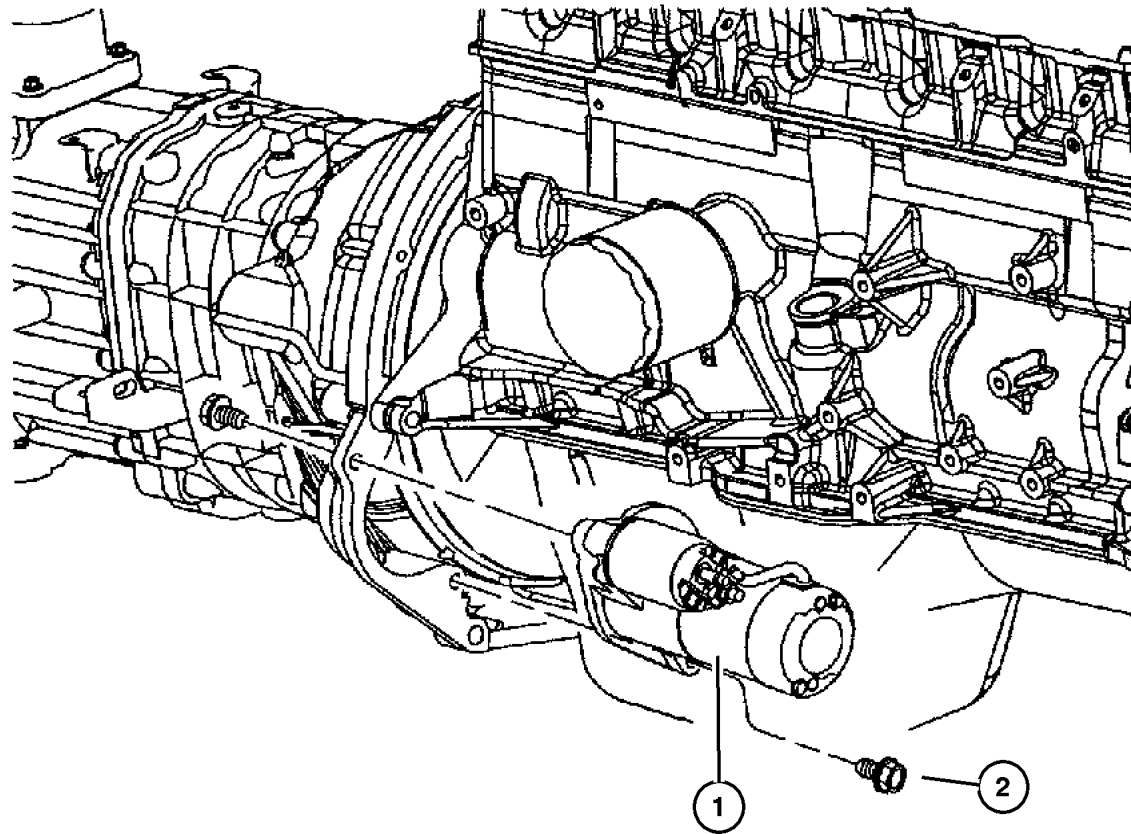
|                           |                        |              |                       |                              |
|---------------------------|------------------------|--------------|-----------------------|------------------------------|
| <b>JEEP WRANGLER (TJ)</b> |                        |              |                       |                              |
| SERIES                    | LINE                   | BODY         | ENGINE                | TRANSMISSION                 |
| H = Sport                 | J = Wrangler 4WD       | 77 = 93.4 WB | ED1, ED0 = 2.4L DOHC  | DGG, DGD = 32RH 3 Spd. Auto. |
| L = SE                    | U = Wrangler 4WD (RHD) |              | ERH = 4.0L Power Tech | DDD = 5 Speed HD Manual      |
| M = X                     |                        |              |                       | DG0 = Auto. Trans.           |
| P = Sahara                |                        |              |                       | DBB = Manual Trans.          |
| S = Rubicon               |                        |              |                       | DDK = 5 Speed Manual         |

AR = Use as required - = Non illustrated part # = New this model year

August 27, 2004

Starter [4.0L Engine]  
Figure 008-110

| ITEM | PART NUMBER | QTY | LINE | SERIES | BODY | ENGINE | TRANS | TRIM | DESCRIPTION                             |
|------|-------------|-----|------|--------|------|--------|-------|------|---|
| 1    | 56041 914AC | 1   |      |        |      | ER0    |       |      | STARTER                                 |
| 2    | 6101 848    | 1   |      |        |      | ER0    |       |      | SCREW AND WASHER, Hex Head, M10-1.50x30 |

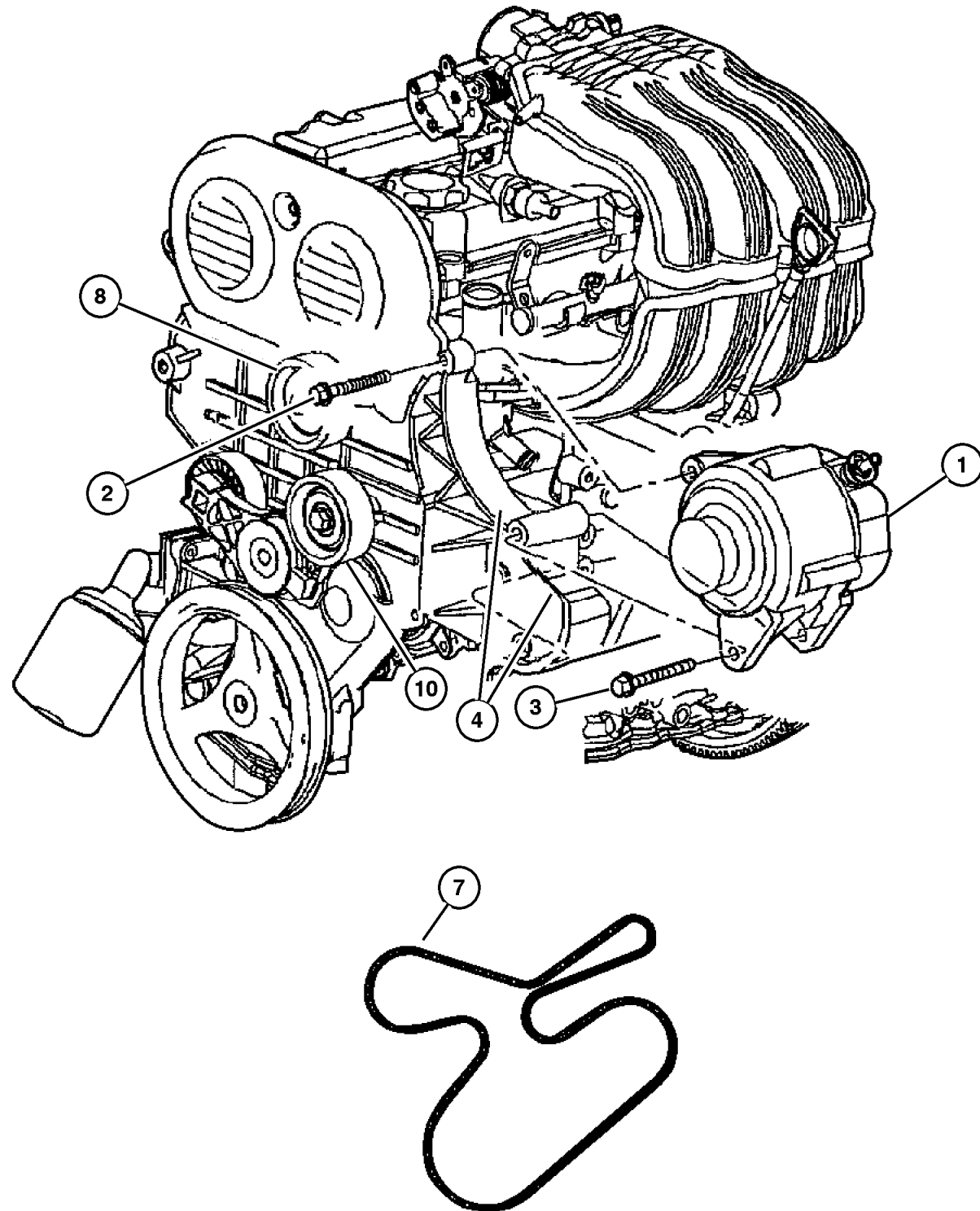


|                           |                        |              |                       |                              |
|---------------------------|------------------------|--------------|-----------------------|------------------------------|
| <b>JEEP WRANGLER (TJ)</b> |                        |              |                       |                              |
| SERIES                    | LINE                   | BODY         | ENGINE                | TRANSMISSION                 |
| H = Sport                 | J = Wrangler 4WD       | 77 = 93.4 WB | ED1, ED0 = 2.4L DOHC  | DGG, DGD = 32RH 3 Spd. Auto. |
| L = SE                    | U = Wrangler 4WD (RHD) |              | ERH = 4.0L Power Tech | DDD = 5 Speed HD Manual      |
| M = X                     |                        |              |                       | DG0 = Auto. Trans.           |
| P = Sahara                |                        |              |                       | DBB = Manual Trans.          |
| S = Rubicon               |                        |              |                       | DDK = 5 Speed Manual         |

AR = Use as required - = Non illustrated part # = New this model year

August 27, 2004

Alternator 2.4L Engine  
Figure 008-205



| ITEM | PART NUMBER | QTY | LINE | SERIES | BODY | ENGINE      | TRANS | TRIM | DESCRIPTION   |
|------|-------------|-----|------|--------|------|-------------|-------|------|---|
| 1    | 56044 530AC | 1   |      |        |      | ED0         |       |      | ALTERNATOR  |
| 2    | 6102 120AA  | 1   |      |        |      | ED0         |       |      | SCREW AND WASHER, Hex Head                                  |
| 3    | 6504 344    | 1   |      |        |      | ED0,<br>ER0 |       |      | SCREW AND WASHER, Hex Head                                  |
| 4    | 4861 371AA  | 1   |      |        |      | ED0         |       |      | BRACKET, Alternator   |
| -5   | 6506 737AA  | 2   |      |        |      | ED0         |       |      | SCREW, Alternator Bracket, M10x1.5x100.00, Bracket To Block |
| -6   | 6506 990AA  | 3   |      |        |      | ED0         |       |      | SCREW, Hex Head, M10x1.5x40, Bracket To Block               |
| 7    |             |     |      |        |      |             |       |      | BELT, Accessory Drive                                       |
|      | 5281 351AC  | 1   |      |        |      | ED0         |       |      | With Air Conditioning                                       |
|      | 53013 352AD | 1   |      |        |      | ED0         |       |      | Without Air Conditioning                                    |
| 8    |             |     |      |        |      |             |       |      | PULLEY, Idler   |
|      | 4781 569AB  | 1   |      |        |      | ED0         |       |      | Double Bearing, Idler/Timing                                |
|      | 53013 366AA | 1   |      |        |      | ED0         |       |      | Without Air Conditioning                                    |
| -9   | 6506 991AA  | 1   |      |        |      | ED0         |       |      | STUD, Alternator, Tensioner Mounting                        |
| 10   | 4861 277AB  | 1   |      |        |      | ED0         |       |      | TENSIONER, Belt   |

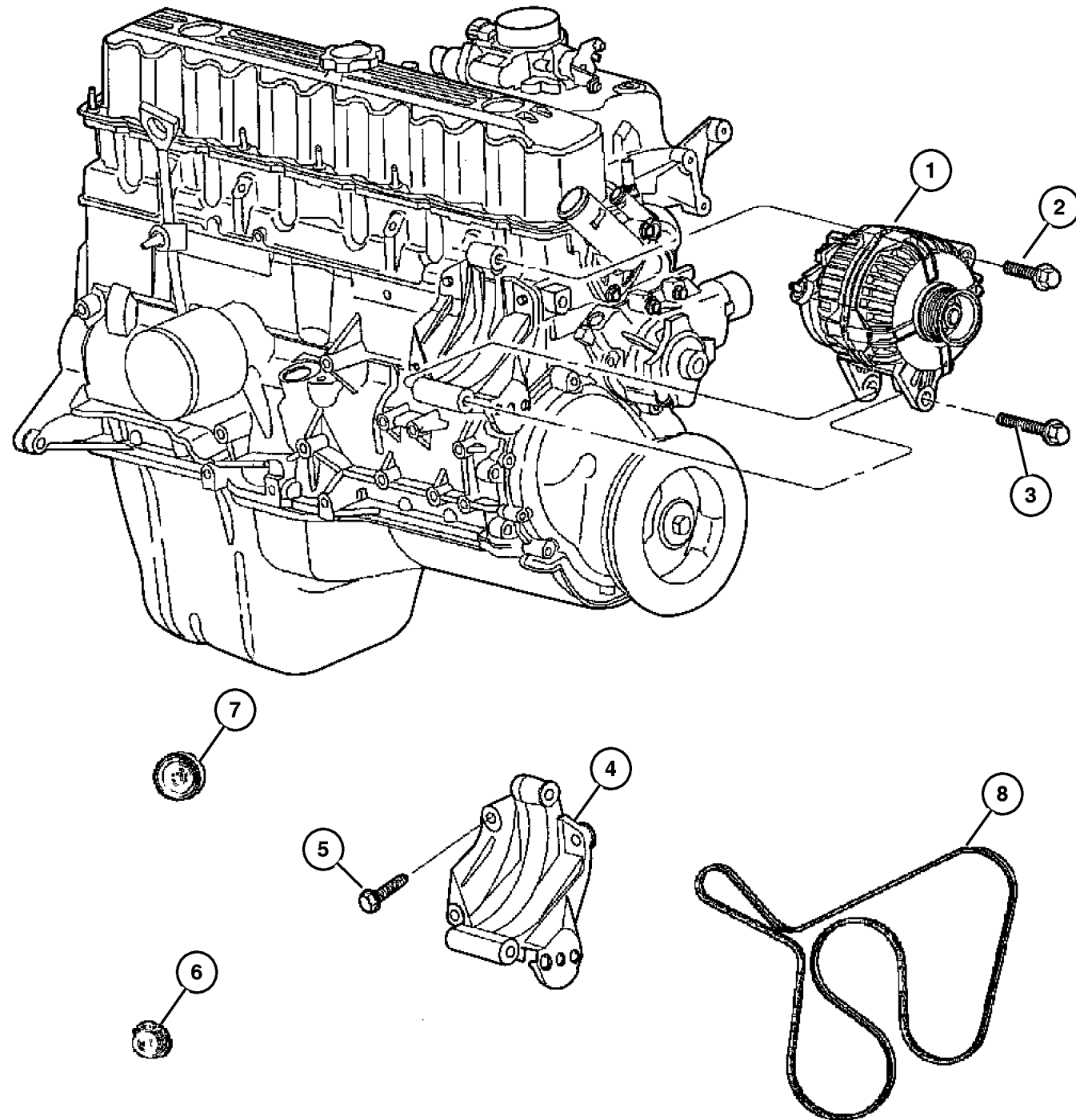
JEEP WRANGLER (TJ)

| SERIES      | LINE                   | BODY         | ENGINE                | TRANSMISSION                 |
|-------------|------------------------|--------------|-----------------------|------------------------------|
| H = Sport   | J = Wrangler 4WD       | 77 = 93.4 WB | ED1, ED0 = 2.4L DOHC  | DGG, DGD = 32RH 3 Spd. Auto. |
| L = SE      | U = Wrangler 4WD (RHD) |              | ERH = 4.0L Power Tech | DDD = 5 Speed HD Manual      |
| M = X       |                        |              |                       | DG0 = Auto. Trans.           |
| P = Sahara  |                        |              |                       | DBB = Manual Trans.          |
| S = Rubicon |                        |              |                       | DDK = 5 Speed Manual         |

AR = Use as required - = Non illustrated part # = New this model year

August 27, 2004

## Alternator 4.0L Engine Figure 008-210



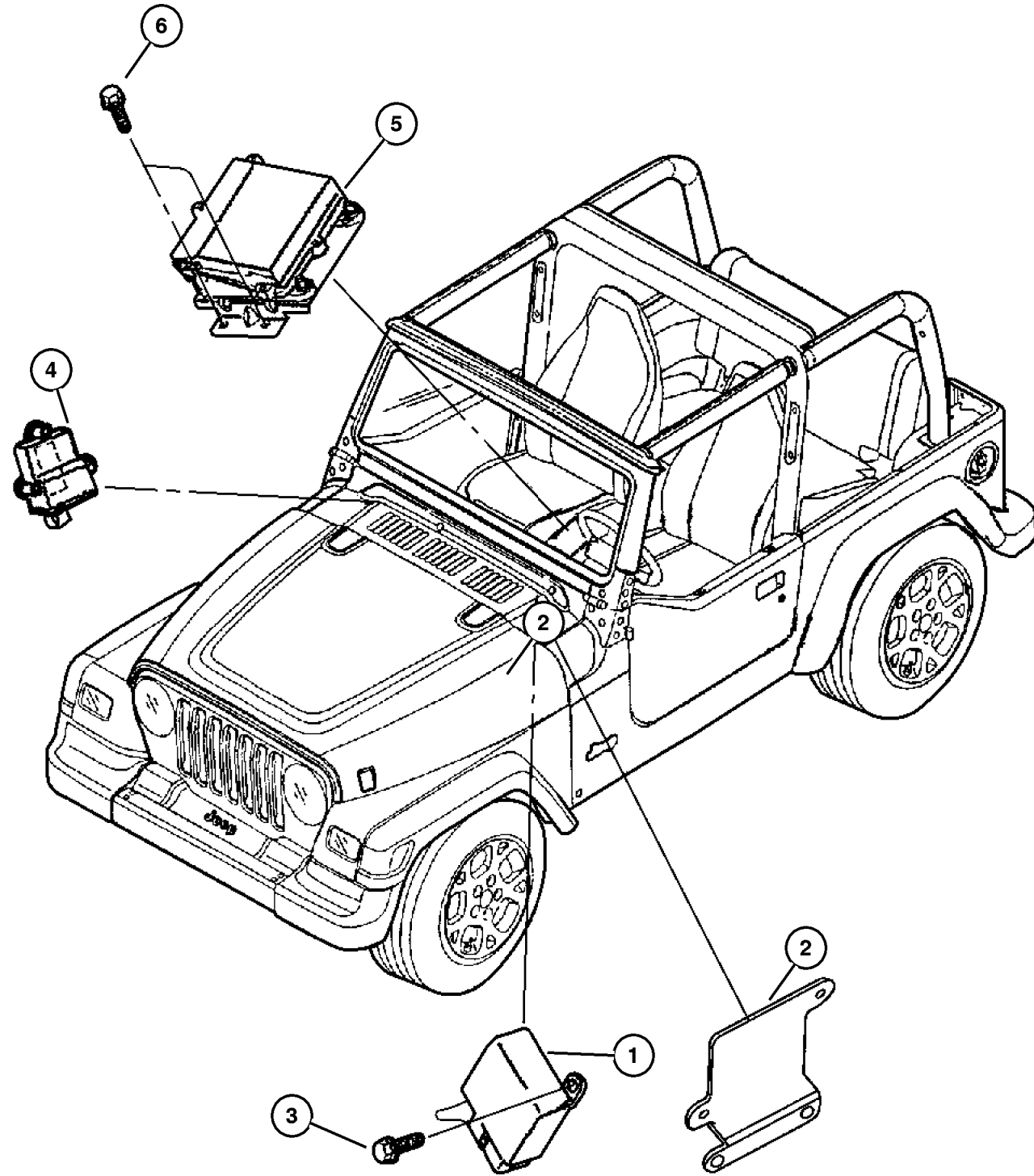
| ITEM              | PART NUMBER | QTY | LINE | SERIES | BODY | ENGINE | TRANS | TRIM | DESCRIPTION                |
|-------------------|-------------|-----|------|--------|------|--------|-------|------|----------------------------|
| Notes:            |             |     |      |        |      |        |       |      |                            |
| [ER0]=4.0L Engine |             |     |      |        |      |        |       |      |                            |
| 1                 | 56041 864AB | 1   |      |        |      | ER0    |       |      | ALTERNATOR                 |
| 2                 | 6505 488AA  | 1   |      |        |      | ER0    |       |      | SCREW AND WASHER, Hex      |
| 3                 | 6504 344    | 1   |      |        |      | ED0,   |       |      | SCREW AND WASHER, Hex Head |
|                   |             |     |      |        |      | ER0    |       |      |                            |
| 4                 | 4854 026    | 1   |      |        |      | ER0    |       |      | BRACKET, Alternator        |
| 5                 | 0154 854AA  | 4   |      |        |      | ER0    |       |      | SCREW AND WASHER, Hex      |
| 6                 | 4854 089AB  | 1   |      |        |      | ER0    |       |      | TENSIONER, Alternator Belt |
| 7                 | 4854 092    | 1   |      |        |      | ER0    |       |      | PULLEY, Idler              |
| 8                 |             |     |      |        |      |        |       |      | BELT, Accessory Drive      |
|                   | 53013 209AC | 1   |      |        |      | ER0    |       |      | Without Air Conditioning   |
|                   | 4854 033AB  | 1   |      |        |      | ER0    |       |      | With Air Conditioning      |

|                           |                        |              |                       |                              |
|---------------------------|------------------------|--------------|-----------------------|------------------------------|
| <b>JEEP WRANGLER (TJ)</b> |                        |              |                       |                              |
| SERIES                    | LINE                   | BODY         | ENGINE                | TRANSMISSION                 |
| H = Sport                 | J = Wrangler 4WD       | 77 = 93.4 WB | ED1, ED0 = 2.4L DOHC  | DGG, DGD = 32RH 3 Spd. Auto. |
| L = SE                    | U = Wrangler 4WD (RHD) |              | ERH = 4.0L Power Tech | DDD = 5 Speed HD Manual      |
| M = X                     |                        |              |                       | DG0 = Auto. Trans.           |
| P = Sahara                |                        |              |                       | DBB = Manual Trans.          |
| S = Rubicon               |                        |              |                       | DDK = 5 Speed Manual         |

AR = Use as required - = Non illustrated part # = New this model year

August 27, 2004

**Modules**  
**Figure 008-405**



| ITEM | PART NUMBER | QTY | LINE | SERIES | BODY | ENGINE | TRANS | TRIM | DESCRIPTION   |
|------|-------------|-----|------|--------|------|--------|-------|------|---|
| 1    | 5600 4262   | 1   |      |        |      |        |       |      | MODULE, Daytime Running Lamp, Daytime Running Lamp    |
| 2    | 56047 125AB | 1   |      |        |      |        |       |      | BRACKET, Module, Daytime Running Lamp                 |
| 3    |             |     |      |        |      |        |       |      | SCREW, 250-14x.625, (NOT SERVICED) (Not Serviced)     |
| 4    | 56010 209AD | 1   |      |        |      |        |       |      | MODULE, Immobilizer                                   |
| 5    | 56010 533AA | 1   |      |        |      |        |       |      | MODULE, Air Bag Control                               |
| 6    | 6102 132AA  | 4   |      |        |      |        |       |      | SCREW, Hex Head, M6x1x20, Air bag module attaching    |
| -7   | J400 4642   | 1   |      |        |      |        |       |      | SCREW, Round Head, .164-18x.560, Airbag Module Ground |

**JEEP WRANGLER (TJ)**

| SERIES      | LINE                   | BODY         | ENGINE                | TRANSMISSION                 |
|-------------|------------------------|--------------|-----------------------|------------------------------|
| H = Sport   | J = Wrangler 4WD       | 77 = 93.4 WB | ED1, ED0 = 2.4L DOHC  | DGG, DGD = 32RH 3 Spd. Auto. |
| L = SE      | U = Wrangler 4WD (RHD) |              | ERH = 4.0L Power Tech | DDD = 5 Speed HD Manual      |
| M = X       |                        |              |                       | DG0 = Auto. Trans.           |
| P = Sahara  |                        |              |                       | DBB = Manual Trans.          |
| S = Rubicon |                        |              |                       | DDK = 5 Speed Manual         |

AR = Use as required - = Non illustrated part # = New this model year

August 27, 2004

**Power Distribution Center Relays and Fuses**  
**Figure 008-505**

| ITEM | PART NUMBER | QTY | LINE | SERIES | BODY | ENGINE | TRANS | TRIM | DESCRIPTION |
|------|-------------|-----|------|--------|------|--------|-------|------|-------------|
|------|-------------|-----|------|--------|------|--------|-------|------|-------------|

Notes:

[DG0] = All Automatic Transmissions

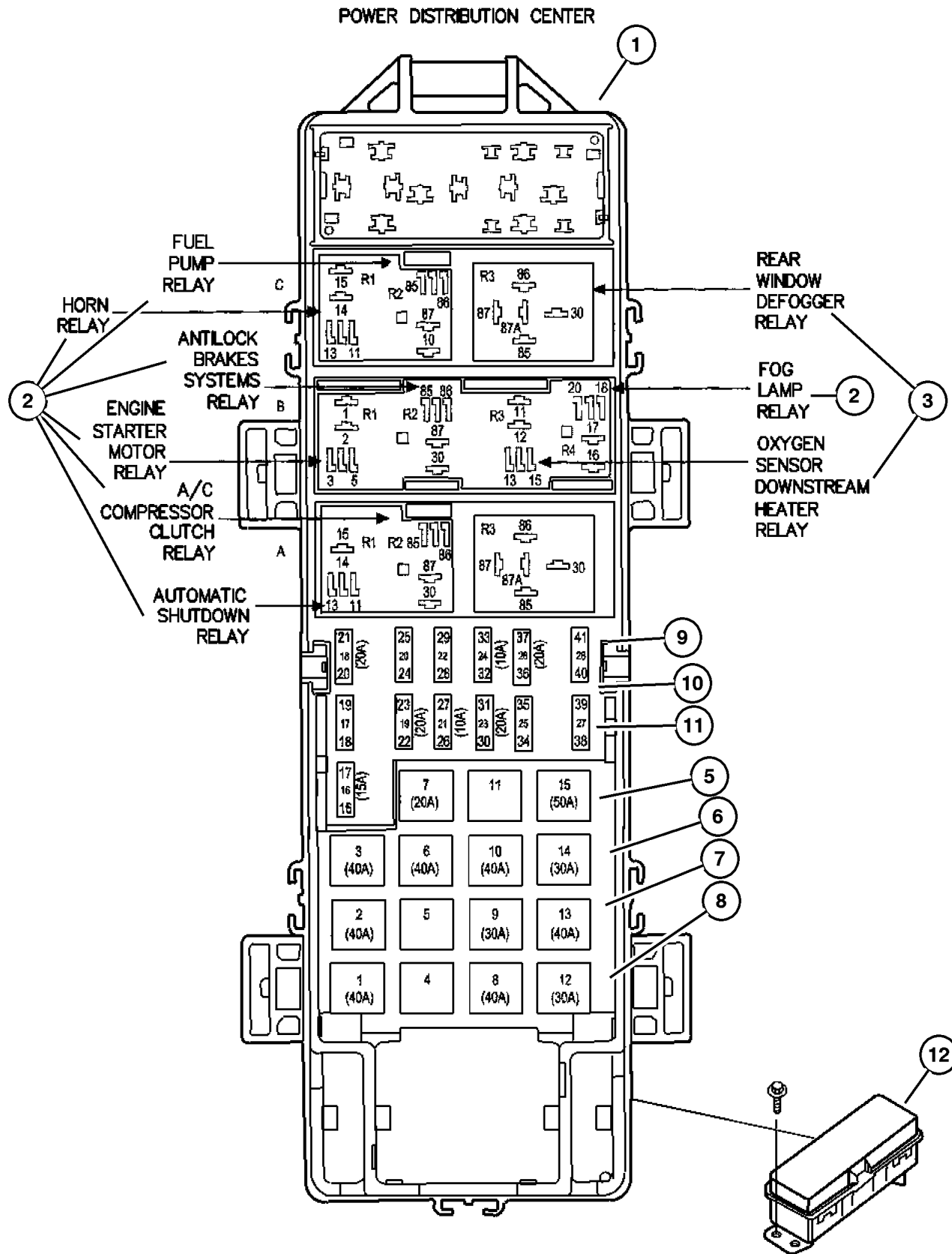
|    |            |    |   |  |  |    |  |     |  |
|----|------------|----|---|--|--|----|--|-----|--|
| 1  |            |    |   |  |  |    |  |     | POWER DISTRIBUTION CENTER, Serviced in Headlamp to Dash Harness, (NOT SERVICED) (Not Serviced) |
| 2  | 4671 168   | AR |   |  |  |    |  |     | RELAY, Mini, ABS Pump, Clutch, Heater & Foglamp  |
| 3  | 4638 271   | 1  | J |  |  | 77 |  |     | RELAY PACKAGE, Electrical  |
| -4 | 4638 904   | 1  |   |  |  |    |  |     | SEAL, Rear Defroster Relay   |
| 5  |            |    |   |  |  |    |  |     | FUSE CARTRIDGE, 20 Amp   |
|    | 6102 075AA | 1  | J |  |  |    |  | ER0 |  |
|    |            | 1  | J |  |  |    |  | ER0 |  |
| 6  |            |    |   |  |  |    |  |     | FUSE CARTRIDGE, 30 Amp   |
|    | 6102 076AA | 1  | J |  |  |    |  | ER0 |  |
|    |            | 1  | J |  |  |    |  | ER0 |  |
| 7  |            |    |   |  |  |    |  |     | FUSE CARTRIDGE, 40 Amp   |
|    | 4868 008AA | 1  |   |  |  |    |  |     |  |
|    | 6102 077AA | 1  | J |  |  |    |  | ER0 |  |
|    |            | 1  | J |  |  |    |  | ER0 |  |
| 8  |            |    |   |  |  |    |  |     | FUSE CARTRIDGE, 50 Amp   |
|    | 6102 078AA | 1  | J |  |  |    |  | ER0 |  |
|    |            | 1  | J |  |  |    |  | ER0 |  |
| 9  | 00AT M10   | 2  |   |  |  |    |  |     | FUSE, Mini, 10 AMP, Red  |
| 10 | 00AT M15   | 1  | J |  |  |    |  |     | FUSE, Mini, 15 AMP, Light Blue   |
| 11 | 00AT M20   | 1  |   |  |  |    |  |     | FUSE, Mini, 20 AMP, Yellow   |
| 12 |            |    |   |  |  |    |  |     | COVER, Power Distribution Center   |
|    | 5134 137AA | 1  | J |  |  |    |  | ER0 |  |
|    |            | 1  | J |  |  |    |  | ER0 |  |

**JEEP WRANGLER (TJ)**

| SERIES      | LINE                   | BODY         | ENGINE                | TRANSMISSION                 |
|-------------|------------------------|--------------|-----------------------|------------------------------|
| H = Sport   | J = Wrangler 4WD       | 77 = 93.4 WB | ED1, ED0 = 2.4L DOHC  | DGG, DGD = 32RH 3 Spd. Auto. |
| L = SE      | U = Wrangler 4WD (RHD) |              | ERH = 4.0L Power Tech | DDD = 5 Speed HD Manual      |
| M = X       |                        |              |                       | DG0 = Auto. Trans.           |
| P = Sahara  |                        |              |                       | DBB = Manual Trans.          |
| S = Rubicon |                        |              |                       | DDK = 5 Speed Manual         |

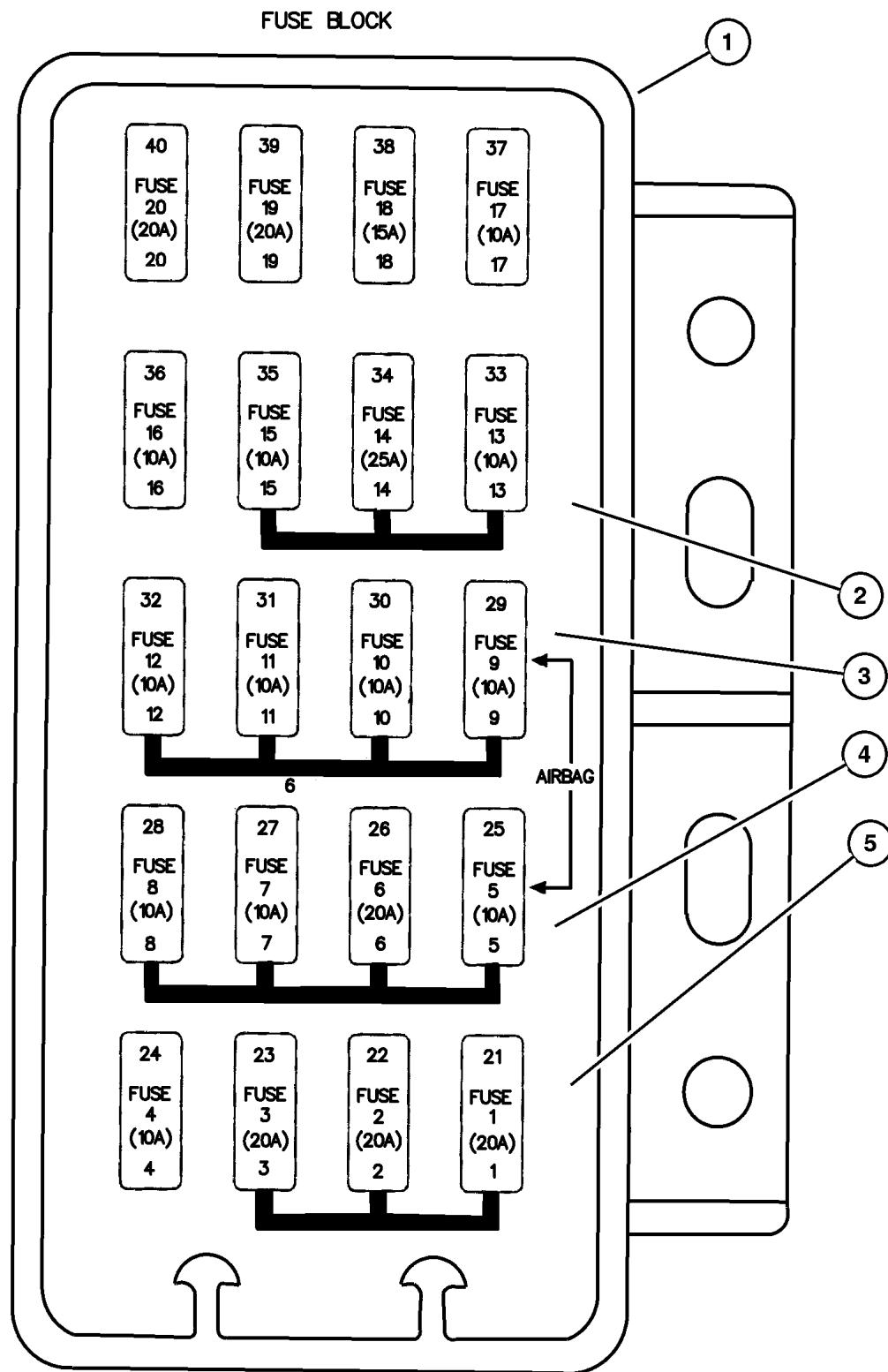
AR = Use as required - = Non illustrated part # = New this model year

August 27, 2004





# Fuse Block Figure 008-510



| ITEM | PART NUMBER | QTY | LINE | SERIES | BODY | ENGINE | TRANS | TRIM | DESCRIPTION |
|------|-------------|-----|------|--------|------|--------|-------|------|-------------|
|------|-------------|-----|------|--------|------|--------|-------|------|-------------|

Notes:

[DG0] = All Automatic Transmissions

|    |             |   |   |  |  |     |  |  |  |
|----|-------------|---|---|--|--|-----|--|--|--|
| 1  |             |   |   |  |  |     |  |  | BLOCK, Fuse, Serviced in Cross Body Harness, (NOT SERVICED) (Not Serviced) |
| 2  | 00AT M10    | 2 |   |  |  |     |  |  | FUSE, Mini, 10 AMP, Red  |
| 3  | 00AT M15    | 1 | J |  |  | ER0 |  |  | FUSE, Mini, 15 AMP, Light Blue   |
|    |             | 1 | J |  |  | ER0 |  |  |  |
| 4  | 00AT M20    | 1 |   |  |  |     |  |  | FUSE, Mini, 20 AMP, Yellow   |
| 5  | 00AT M25    | 1 | J |  |  | ER0 |  |  | FUSE, Mini, 25 Amp, Natural  |
|    |             | 1 | J |  |  | ER0 |  |  |  |
| -6 | 56047 126AA | 1 |   |  |  | ED0 |  |  | BREAKER, Circuit, Radiator fan   |
| -7 | 6101 757    | 2 |   |  |  |     |  |  | FUSIBLE LINK   |

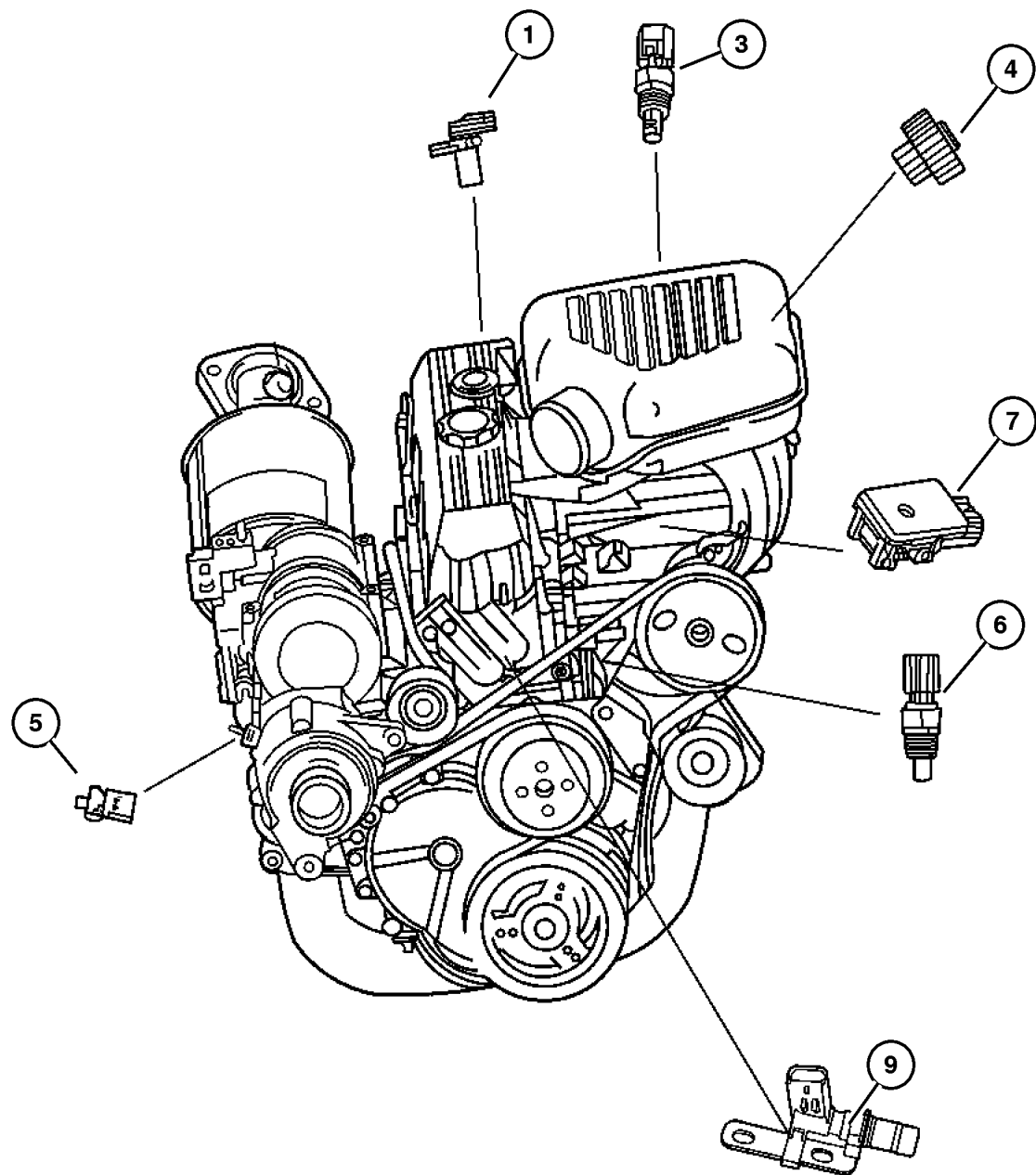
JEEP WRANGLER (TJ)

| SERIES      | LINE                   | BODY         | ENGINE                | TRANSMISSION                 |
|-------------|------------------------|--------------|-----------------------|------------------------------|
| H = Sport   | J = Wrangler 4WD       | 77 = 93.4 WB | ED1, ED0 = 2.4L DOHC  | DGG, DGD = 32RH 3 Spd. Auto. |
| L = SE      | U = Wrangler 4WD (RHD) |              | ERH = 4.0L Power Tech | DDD = 5 Speed HD Manual      |
| M = X       |                        |              |                       | DG0 = Auto. Trans.           |
| P = Sahara  |                        |              |                       | DBB = Manual Trans.          |
| S = Rubicon |                        |              |                       | DDK = 5 Speed Manual         |

AR = Use as required - = Non illustrated part # = New this model year

August 27, 2004

**Sensors 2.4L Engine [ED0]  
Figure 008-605**



| ITEM                | PART NUMBER | QTY | LINE | SERIES | BODY | ENGINE | TRANS | TRIM | DESCRIPTION                           |
|---------------------|-------------|-----|------|--------|------|--------|-------|------|---------------------------------------|
| Notes:              |             |     |      |        |      |        |       |      |                                       |
| [EP0] = 2.5L Engine |             |     |      |        |      |        |       |      |                                       |
| [ER0] = 4.0L Engine |             |     |      |        |      |        |       |      |                                       |
| 1                   | 5269 873AB  | 1   |      |        |      | ED0    |       |      | SENSOR, Crankshaft Position           |
| -2                  | 6507 220AA  | 1   |      |        |      | ED0    |       |      | SCREW, M6x1x14, Crank Sensor Mounting |
| 3                   | 4606 487AB  | 1   |      |        | 77   | ED0    |       |      | SENSOR, Charge Air Temp               |
| 4                   | 5019 411AC  | 1   |      |        |      | ED0    |       |      | SENSOR KIT, Throttle Position         |
| 5                   | 4608 303AB  | 1   |      |        |      | ED0    |       |      | SWITCH, Oil Pressure                  |
| 6                   | 5602 7873   | 1   |      |        |      | ED0    |       |      | SENSOR, Coolant Temperature           |
| 7                   | 56041 018AC | 1   |      |        |      | ED0    |       |      | SENSOR, Map                           |
| -8                  | 6505 501AA  | 2   |      |        |      | ED0    |       |      | SCREW, M4x16, Map Sensor attaching    |
| 9                   | 5072 759AA  | 1   |      |        |      | ED0    |       |      | SENSOR, Camshaft                      |

**JEEP WRANGLER (TJ)**

|             |                        |              |                       |                              |
|-------------|------------------------|--------------|-----------------------|------------------------------|
| SERIES      | LINE                   | BODY         | ENGINE                | TRANSMISSION                 |
| H = Sport   | J = Wrangler 4WD       | 77 = 93.4 WB | ED1, ED0 = 2.4L DOHC  | DGG, DGD = 32RH 3 Spd. Auto. |
| L = SE      | U = Wrangler 4WD (RHD) |              | ERH = 4.0L Power Tech | DDD = 5 Speed HD Manual      |
| M = X       |                        |              |                       | DG0 = Auto. Trans.           |
| P = Sahara  |                        |              |                       | DBB = Manual Trans.          |
| S = Rubicon |                        |              |                       | DDK = 5 Speed Manual         |

AR = Use as required - = Non illustrated part # = New this model year

August 27, 2004

Sensors Engine 4.0L [ER0]  
Figure 008-610

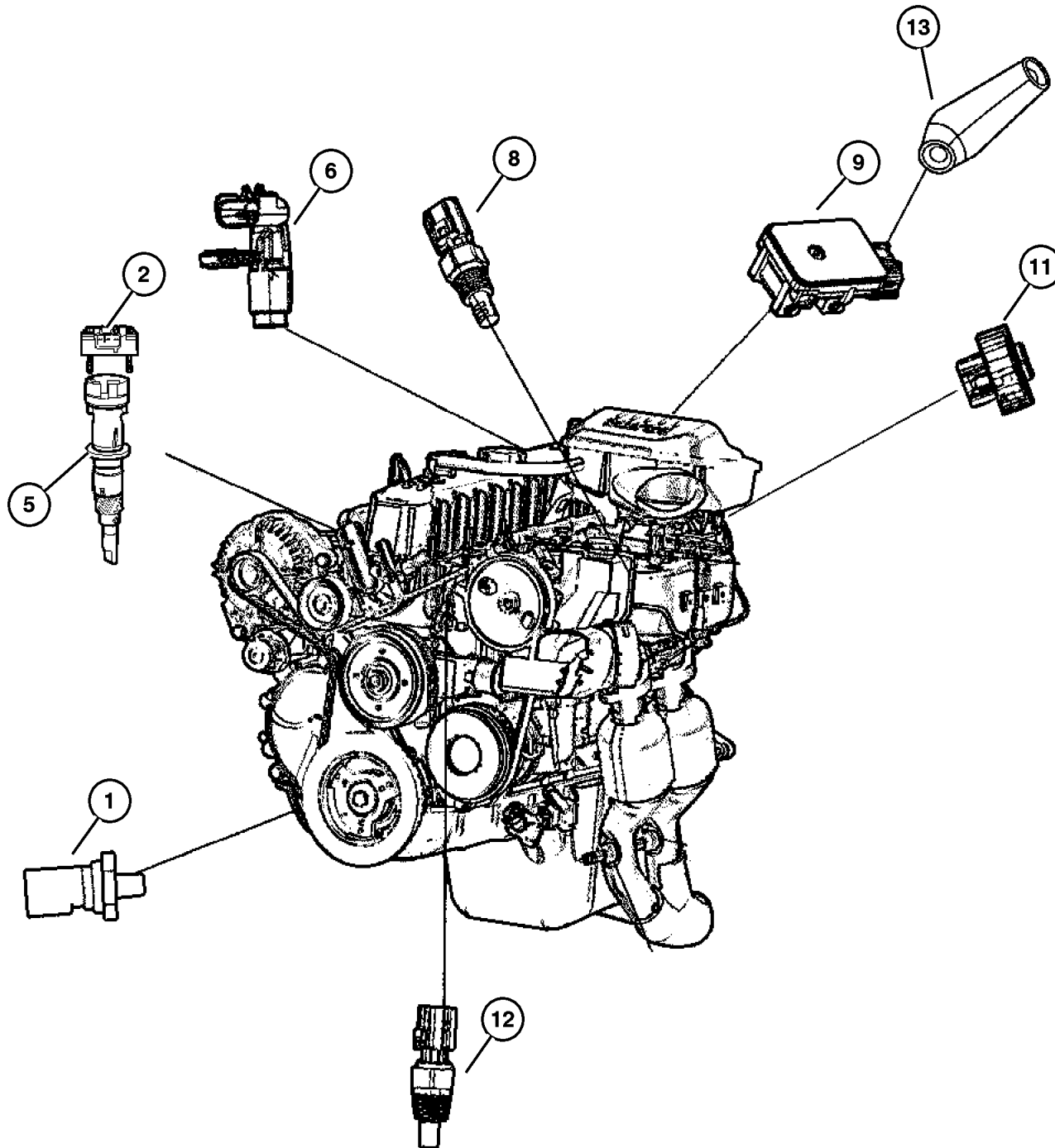
| ITEM | PART NUMBER | QTY | LINE | SERIES | BODY | ENGINE | TRANS | TRIM | DESCRIPTION |
|------|-------------|-----|------|--------|------|--------|-------|------|-------------|
|------|-------------|-----|------|--------|------|--------|-------|------|-------------|

Notes:

[ER0]=All 4.0L Engine

[DG0]=All Automatic Transmissions

|     |             |   |  |  |  |     |  |  |   |
|-----|-------------|---|--|--|--|-----|--|--|---|
| 1   | 4868 672AA  | 1 |  |  |  | ER0 |  |  | SWITCH, Oil Pressure                      |
| 2   | 5149 034AA  | 1 |  |  |  | ER0 |  |  | SENSOR, Camshaft                          |
| -3  | 3300 4242   | 1 |  |  |  | ER0 |  |  | CLAMP, Distributor, Cam sensor mounting   |
| -4  | J318 1288   | 1 |  |  |  | ER0 |  |  | GASKET, Distributor, Cam sensor mounting  |
| 5   | 53010 624AC | 1 |  |  |  | ER0 |  |  | DRIVE, OIL PUMP                           |
| 6   | 4727 451AA  | 1 |  |  |  | ER0 |  |  | SENSOR, Crankshaft                        |
|     |             | 1 |  |  |  | ER0 |  |  |   |
| -7  | 6501 957    | 1 |  |  |  | ER0 |  |  | SCREW                                     |
| 8   | 5602 7872   | 1 |  |  |  | ER0 |  |  | SENSOR, Air Temperature                   |
| 9   | 56044 544AA | 1 |  |  |  | ER0 |  |  | SENSOR, Manifold Absolute Pressure        |
| -10 | 6504 512    | 2 |  |  |  | ER0 |  |  | SCREW, Pan Head, Map Sensor attaching     |
| 11  | 5019 411AC  | 1 |  |  |  | ER0 |  |  | SENSOR KIT, Throttle Position             |
| 12  | 5602 7873   | 1 |  |  |  | ER0 |  |  | SENSOR, Coolant Temperature               |
| 13  | 5300 9672   | 1 |  |  |  | ER0 |  |  | CONNECTOR, Emission Hose, MAP Sensor hose |



JEEP WRANGLER (TJ)

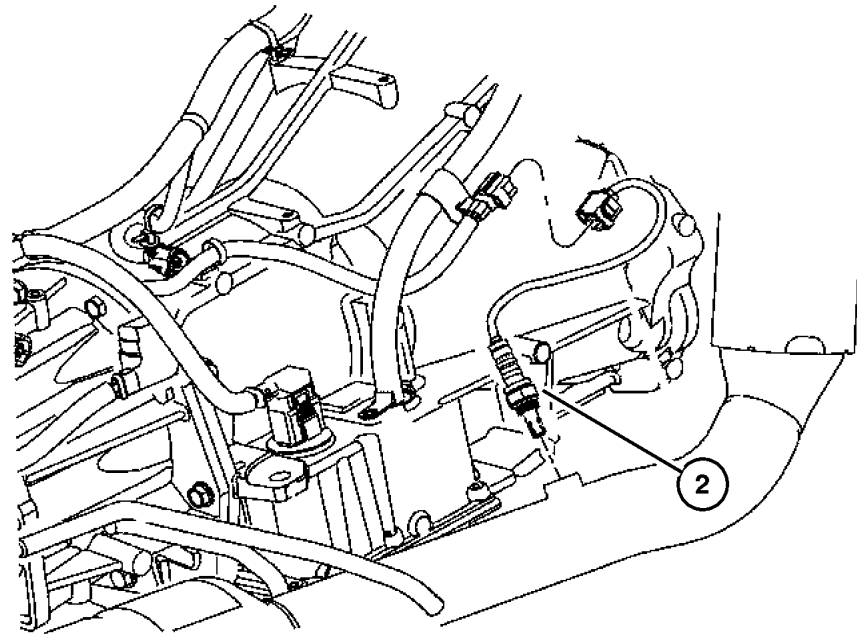
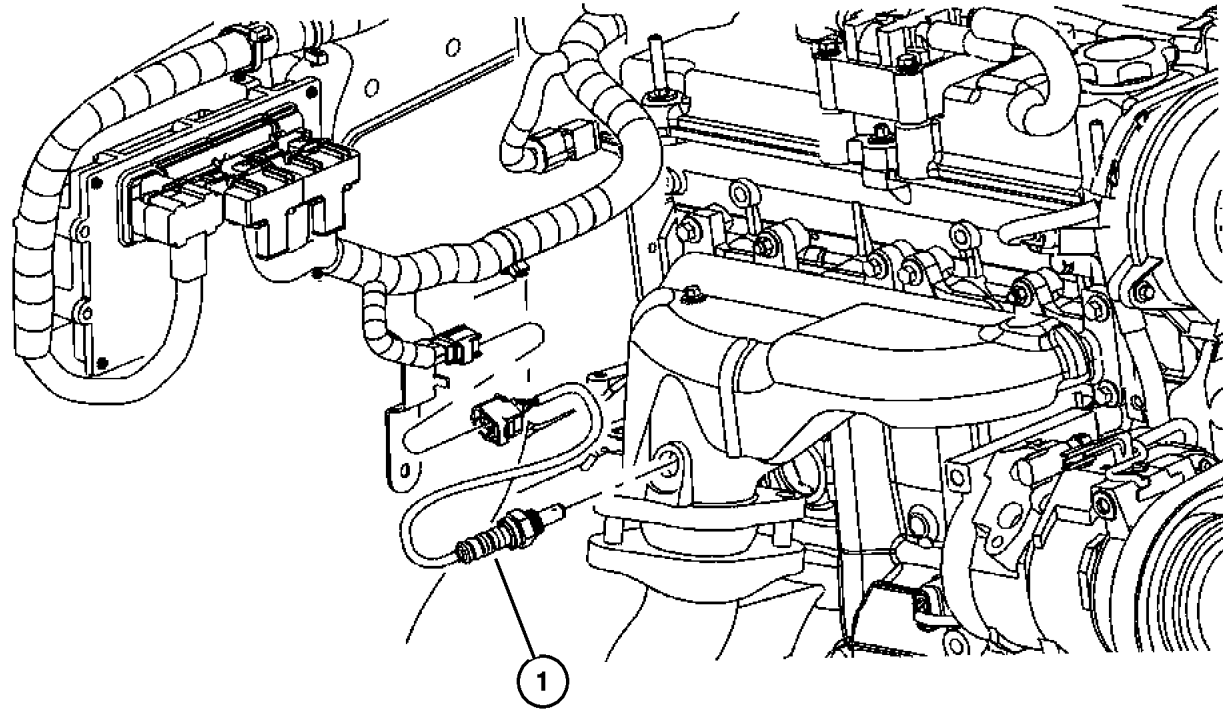
| SERIES      | LINE                   | BODY         | ENGINE                | TRANSMISSION                 |
|-------------|------------------------|--------------|-----------------------|------------------------------|
| H = Sport   | J = Wrangler 4WD       | 77 = 93.4 WB | ED1, ED0 = 2.4L DOHC  | DGG, DGD = 32RH 3 Spd. Auto. |
| L = SE      | U = Wrangler 4WD (RHD) |              | ERH = 4.0L Power Tech | DDD = 5 Speed HD Manual      |
| M = X       |                        |              |                       | DG0 = Auto. Trans.           |
| P = Sahara  |                        |              |                       | DBB = Manual Trans.          |
| S = Rubicon |                        |              |                       | DDK = 5 Speed Manual         |

AR = Use as required - = Non illustrated part # = New this model year

August 27, 2004

Sensors, Oxygen 2.4L [ED0]  
Figure 008-615

| ITEM | PART NUMBER | QTY | LINE | SERIES | BODY | ENGINE | TRANS | TRIM | DESCRIPTION                     |
|------|-------------|-----|------|--------|------|--------|-------|------|---------------------------------|
| 1    | 56029 049AA | 1   |      |        |      | ED0    |       |      | SENSOR, Oxygen, Before catalyst |
| 2    | 56029 049AA | 1   |      |        |      | ED0    |       |      | SENSOR, Oxygen, After catalyst  |



JEEP WRANGLER (TJ)

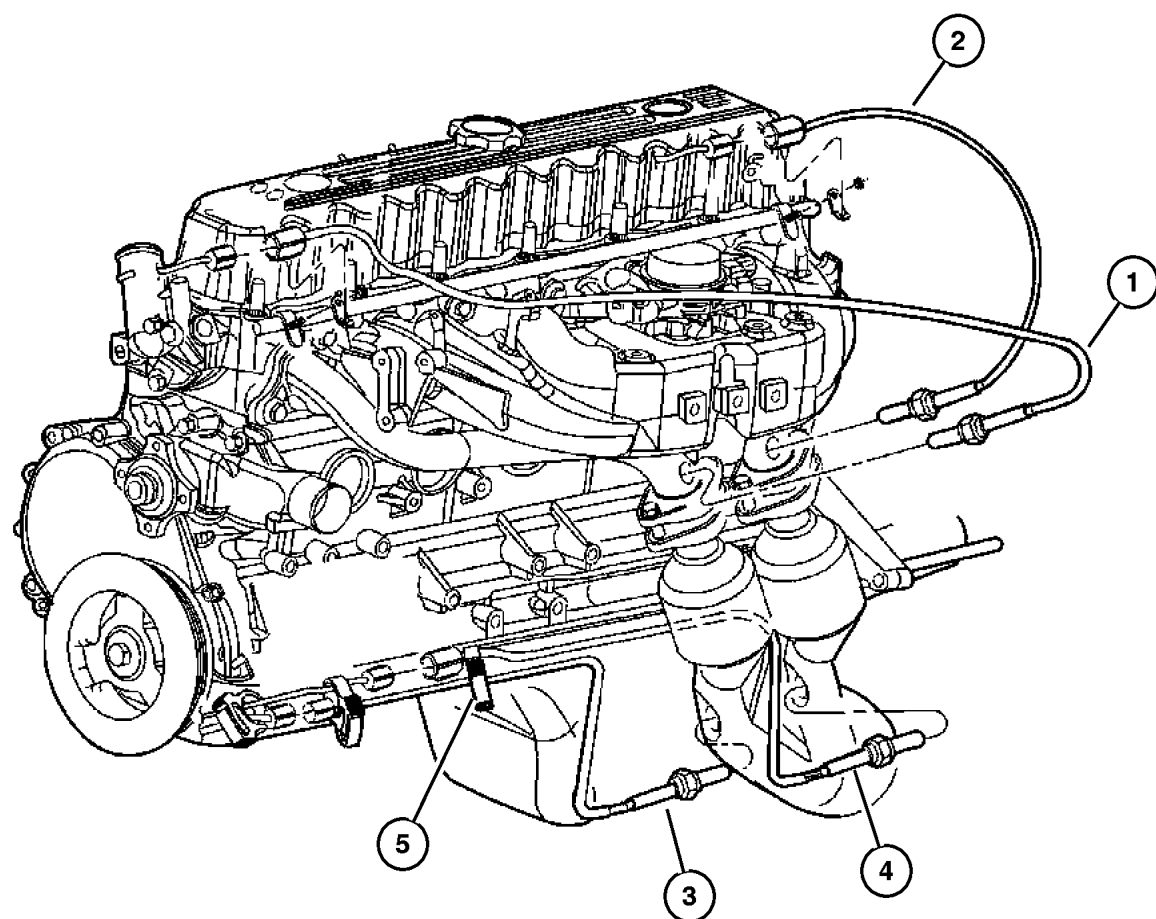
|             |                        |              |                       |                              |
|-------------|------------------------|--------------|-----------------------|------------------------------|
| SERIES      | LINE                   | BODY         | ENGINE                | TRANSMISSION                 |
| H = Sport   | J = Wrangler 4WD       | 77 = 93.4 WB | ED1, ED0 = 2.4L DOHC  | DGG, DGD = 32RH 3 Spd. Auto. |
| L = SE      | U = Wrangler 4WD (RHD) |              | ERH = 4.0L Power Tech | DDD = 5 Speed HD Manual      |
| M = X       |                        |              |                       | DG0 = Auto. Trans.           |
| P = Sahara  |                        |              |                       | DBB = Manual Trans.          |
| S = Rubicon |                        |              |                       | DDK = 5 Speed Manual         |

AR = Use as required - = Non illustrated part # = New this model year

August 27, 2004

Sensors Oxygen 4.0L [ER0]  
Figure 008-620

| ITEM | PART NUMBER | QTY | LINE | SERIES | BODY | ENGINE | TRANS | TRIM | DESCRIPTION  |
|------|-------------|-----|------|--------|------|--------|-------|------|--|
| 1    | 56028 994AB | 1   |      |        |      | ER0    |       |      | SENSOR, Oxygen, Before catalyst front                |
| 2    | 56028 995AB | 1   |      |        |      | ER0    |       |      | SENSOR, Oxygen, Before catalyst rear                 |
| 3    | 56029 049AA | 1   |      |        |      | ER0    |       |      | SENSOR, Oxygen, After catalyst front                 |
| 4    | 56028 994AB | 1   |      |        |      | ER0    |       |      | SENSOR, Oxygen, After catalyst rear                  |
| 5    | 56045 347AB | 1   |      |        |      | ER0    |       |      | BRACKET, Electrical Connectors, Oxygen sensor wiring |



JEEP WRANGLER (TJ)

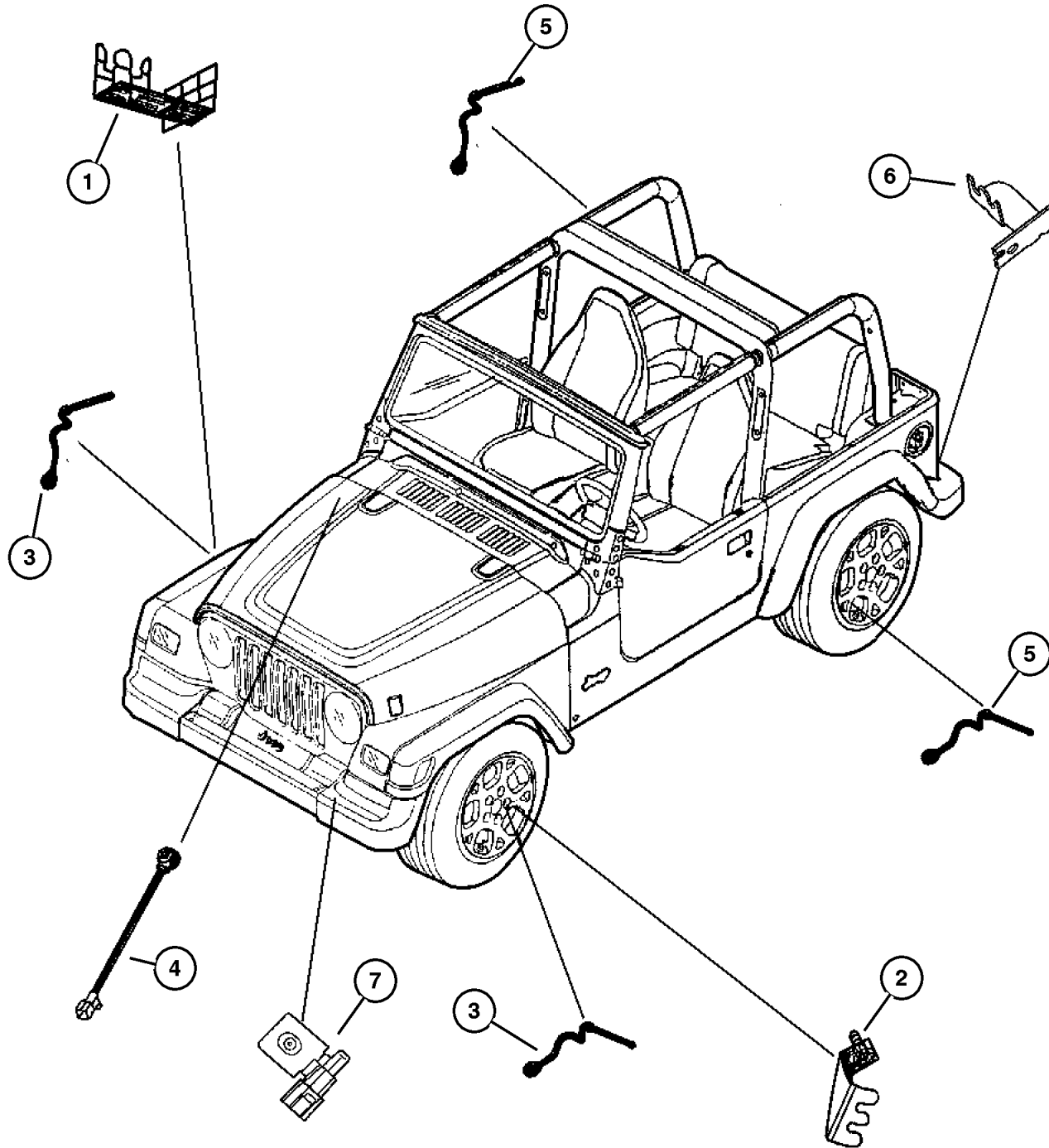
|             |                        |              |                       |                              |
|-------------|------------------------|--------------|-----------------------|------------------------------|
| SERIES      | LINE                   | BODY         | ENGINE                | TRANSMISSION                 |
| H = Sport   | J = Wrangler 4WD       | 77 = 93.4 WB | ED1, ED0 = 2.4L DOHC  | DGG, DGD = 32RH 3 Spd. Auto. |
| L = SE      | U = Wrangler 4WD (RHD) |              | ERH = 4.0L Power Tech | DDD = 5 Speed HD Manual      |
| M = X       |                        |              |                       | DG0 = Auto. Trans.           |
| P = Sahara  |                        |              |                       | DBB = Manual Trans.          |
| S = Rubicon |                        |              |                       | DDK = 5 Speed Manual         |

AR = Use as required - = Non illustrated part # = New this model year

August 27, 2004

Sensors - Body  
Figure 008-625

| ITEM | PART NUMBER | QTY | LINE | SERIES | BODY | ENGINE | TRANS | TRIM | DESCRIPTION                                 |
|------|-------------|-----|------|--------|------|--------|-------|------|---|
| 1    |             |     |      |        |      |        |       |      | BRACKET, Brake Sensor                       |
|      | 5602 6766   | 1   | J    |        |      |        |       |      | At Steering Knucle / Upper Ball Stud, Right |
|      | 5602 6767   | 1   | J    |        |      |        |       |      | At Steering Knucle / Upper Ball Stud, Left  |
| 2    | 5200 8920   | 1   |      |        |      |        |       |      | BRACKET, ABS Sensor                         |
| 3    | 5602 7727   | 2   | J    |        |      |        |       |      | SENSOR, Anti-Lock Brakes, Front             |
| 4    | 5602 7332   | 1   |      |        |      |        |       |      | SENSOR, Battery Temperature                 |
| 5    |             |     |      |        |      |        |       |      | SENSOR, Anti-Lock Brakes                    |
|      | 5602 7728   | 1   | J    |        | 77   |        |       |      | Right                                       |
|      |             | 1   | U    |        | 77   |        |       |      | Right                                       |
|      | 5602 7729   | 1   | J    |        | 77   |        |       |      | Left  |
|      |             | 1   | U    |        | 77   |        |       |      | Left  |
| 6    | 5200 8919   | 1   |      |        |      |        |       |      | BRACKET, ABS Sensor                         |
| 7    | 5604 2395   | 1   |      |        |      |        |       |      | SENSOR, Ambient Temperature                 |



JEEP WRANGLER (TJ)

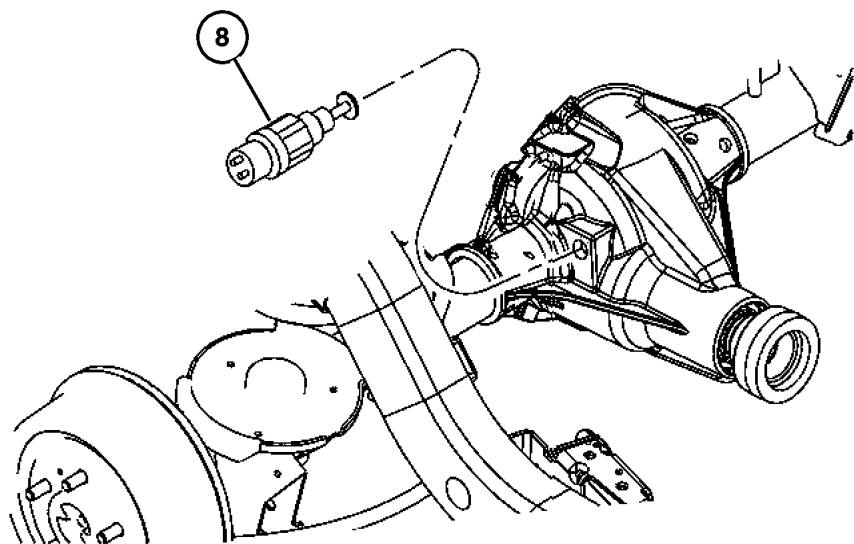
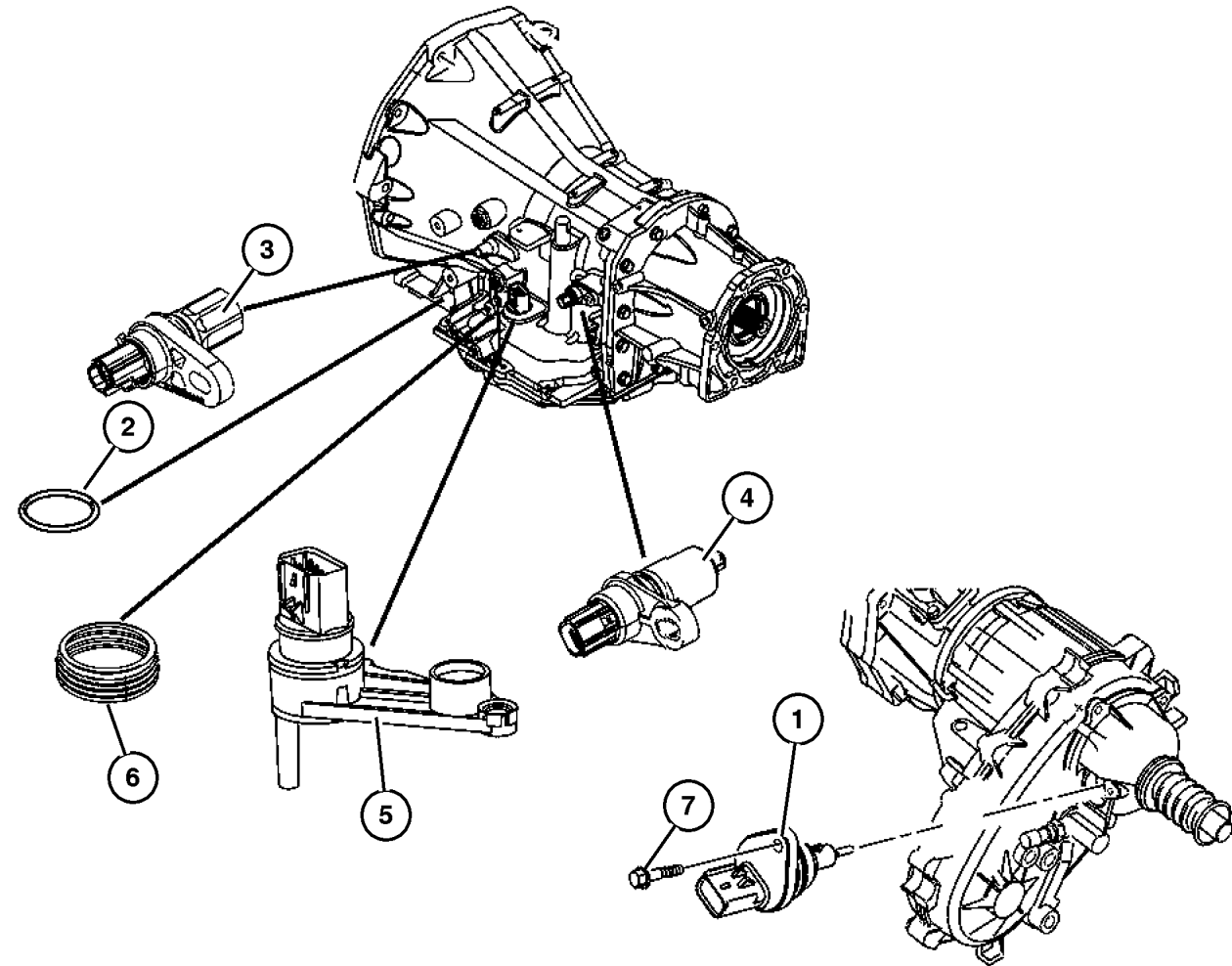
|             |                        |              |                       |                              |
|-------------|------------------------|--------------|-----------------------|------------------------------|
| SERIES      | LINE                   | BODY         | ENGINE                | TRANSMISSION                 |
| H = Sport   | J = Wrangler 4WD       | 77 = 93.4 WB | ED1, ED0 = 2.4L DOHC  | DGG, DGD = 32RH 3 Spd. Auto. |
| L = SE      | U = Wrangler 4WD (RHD) |              | ERH = 4.0L Power Tech | DDD = 5 Speed HD Manual      |
| M = X       |                        |              |                       | DG0 = Auto. Trans.           |
| P = Sahara  |                        |              |                       | DBB = Manual Trans.          |
| S = Rubicon |                        |              |                       | DDK = 5 Speed Manual         |

AR = Use as required - = Non illustrated part # = New this model year

August 27, 2004

Sensors Drive Train  
Figure 008-630

| ITEM | PART NUMBER | QTY | LINE | SERIES        | BODY | ENGINE | TRANS | TRIM | DESCRIPTION                        |
|------|-------------|-----|------|---------------|------|--------|-------|------|------------------------------------|
| 1    |             |     |      |               |      |        |       |      | SENSOR, Vehicle Speed              |
|      | 5033 202AB  | 1   |      |               |      |        |       |      |                                    |
|      | 5602 7905   | 1   |      | H, L, M,<br>P |      |        |       |      |                                    |
| 2    |             |     |      |               |      |        |       |      | O RING                             |
|      | 4799 062    | 1   |      |               | 77   | ED0    |       |      |                                    |
|      |             | 1   |      |               |      | ER0    |       |      |                                    |
| 3    |             |     |      |               |      |        |       |      | SENSOR, Transmission Output Speed  |
|      | 52854 001AA | 1   |      |               | 77   | ED0    |       |      |                                    |
|      |             | 1   |      |               |      | ER0    |       |      |                                    |
| 4    |             |     |      |               |      |        |       |      | SENSOR, Transmission Input Speed   |
|      | 4799 061AB  | 1   |      |               | 77   | ED0    |       |      |                                    |
|      |             | 1   |      |               |      | ER0    |       |      |                                    |
| 5    |             |     |      |               |      |        |       |      | SENSOR, Manual Valve Lever         |
|      | 4659 677AC  | 1   |      |               | 77   | ED0    |       |      |                                    |
|      |             | 1   |      |               |      | ER0    |       |      |                                    |
| 6    |             |     |      |               |      |        |       |      | SEAL, Manual Valve Position Sensor |
|      | 4659 678    | 1   |      |               | 77   | ED0    |       |      |                                    |
|      |             | 1   |      |               |      | ER0    |       |      |                                    |
| 7    |             |     |      |               |      |        |       |      | SCREW, Hex Head, Speed Sensor      |
|      | 6503 254    | 2   |      |               |      |        |       |      |                                    |
| 8    |             |     |      |               |      |        |       |      | Wiring Clip to Frame               |
|      | 52104 610AA | 1   | J    |               |      |        |       |      | SENSOR, Axle Locker                |



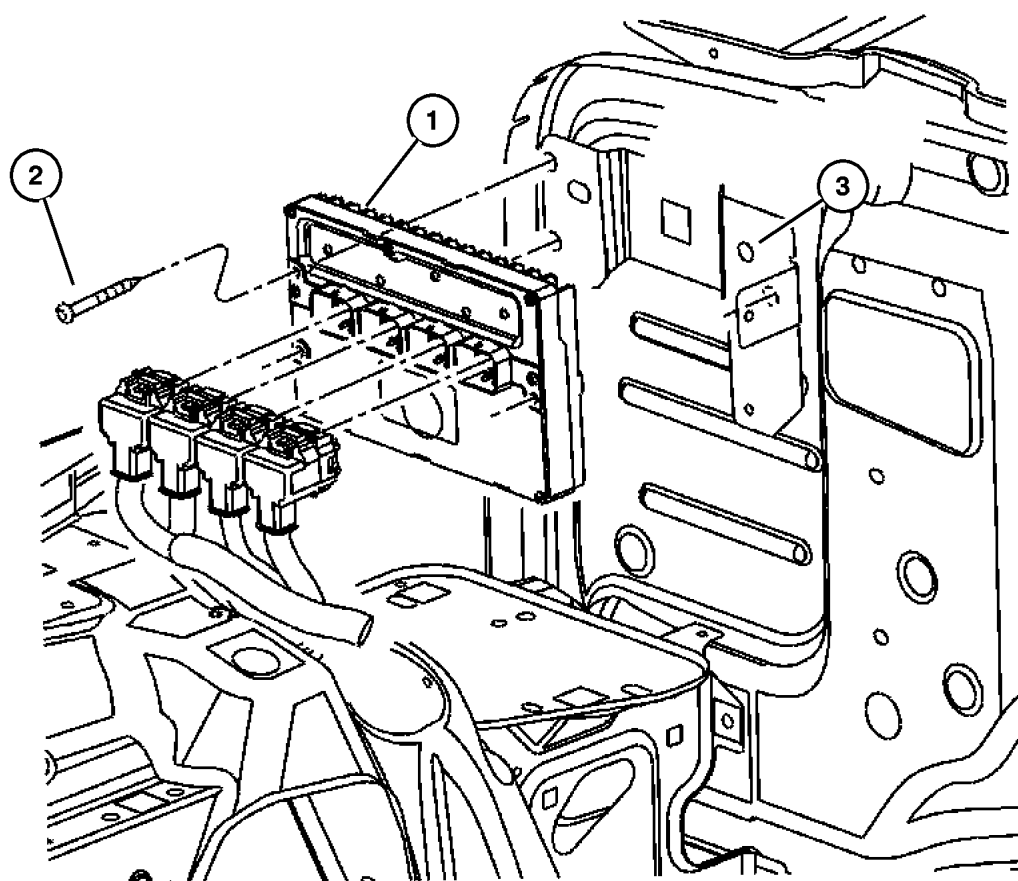
JEEP WRANGLER (TJ)

|             |                        |              |                       |                              |
|-------------|------------------------|--------------|-----------------------|------------------------------|
| SERIES      | LINE                   | BODY         | ENGINE                | TRANSMISSION                 |
| H = Sport   | J = Wrangler 4WD       | 77 = 93.4 WB | ED1, ED0 = 2.4L DOHC  | DGG, DGD = 32RH 3 Spd. Auto. |
| L = SE      | U = Wrangler 4WD (RHD) |              | ERH = 4.0L Power Tech | DDD = 5 Speed HD Manual      |
| M = X       |                        |              |                       | DG0 = Auto. Trans.           |
| P = Sahara  |                        |              |                       | DBB = Manual Trans.          |
| S = Rubicon |                        |              |                       | DDK = 5 Speed Manual         |

AR = Use as required - = Non illustrated part # = New this model year

August 27, 2004

**Single Board Engine Controllers (JTEC Module)  
Figure 008-705**



| ITEM                                  | PART NUMBER | QTY | LINE | SERIES     | BODY   | ENGINE | TRANS | TRIM | DESCRIPTION                            |
|---------------------------------------|-------------|-----|------|------------|--------|--------|-------|------|--|
| Notes:                                |             |     |      |            |        |        |       |      |  |
| [ED0]=24L Engine                      |             |     |      |            |        |        |       |      |  |
| [ER0]=4.0L Engine                     |             |     |      |            |        |        |       |      |  |
| [DG0]=Automatic Transmission          |             |     |      |            |        |        |       |      |  |
| [DBB]= Manual Transmission            |             |     |      |            |        |        |       |      |  |
| [NA1]=Export Emission                 |             |     |      |            |        |        |       |      |  |
| [NAS]=U.S. 50 States Emission         |             |     |      |            |        |        |       |      |  |
| [NB3]=Euro Stage III Emission         |             |     |      |            |        |        |       |      |  |
| [NBJ]=Japan Low Emission Vehicle      |             |     |      |            |        |        |       |      |  |
| [NBT]=Transitory Low Emission Vehicle |             |     |      |            |        |        |       |      |  |
| [NBV]=Low Emission Vehicle            |             |     |      |            |        |        |       |      |  |
| 1                                     | 56044 498AB | 1   |      | H, L, M, P |        | ER0    |       |      | MODULE, Powertrain Control [NAS]       |
|                                       | 56044 526AB | 1   |      |            |        | ER0    |       |      | [NA1,NB4]                              |
|                                       | 56044 527AB | 1   |      |            |        | ER0    |       |      | [NA1,NBJ]                              |
|                                       | 56044 528AB | 1   |      | H, L, M, P |        | ER0    |       |      | [NAS]                                  |
|                                       | 56044 531AB | 1   |      |            |        | ER0    |       |      | [NA1,NB4]                              |
|                                       | 56044 533AB | 1   |      |            |        | ER0    |       |      | [NA1,NBJ]                              |
|                                       | 56044 534AB | 1   |      |            | 61, 77 | ED0    |       |      | [NAS]                                  |
|                                       | 56044 536AB | 1   |      |            | 61, 77 | ED0    |       |      | [NA1,NB4]                              |
|                                       | 56044 537AB | 1   |      |            | 61, 77 | ED0    |       |      | [NAS]                                  |
|                                       | 56044 539AB | 1   |      | S          |        | ER0    |       |      | [NAS]                                  |
|                                       | 56044 542AB | 1   |      | S          |        | ER0    |       |      | [NAS]                                  |
| 2                                     | 6035 884    | 3   |      |            |        |        |       |      | SCREW, [.190-16x1.75], Module mounting |
| 3                                     | 55395 180AA | 1   | J    |            | 77, 78 |        |       |      | BRACKET, Module                        |

**JEEP WRANGLER (TJ)**

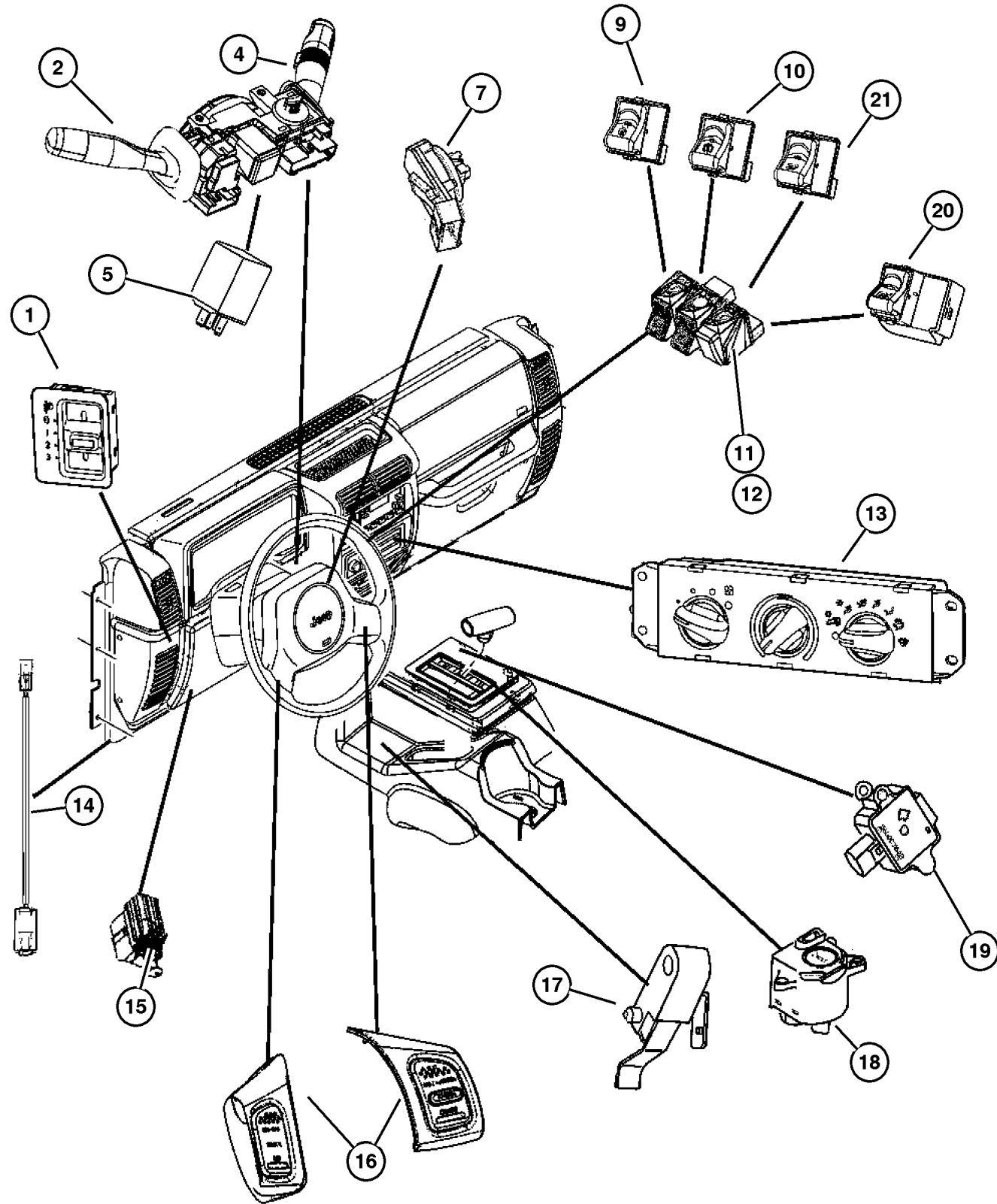
|             |                        |              |                       |                              |
|-------------|------------------------|--------------|-----------------------|------------------------------|
| SERIES      | LINE                   | BODY         | ENGINE                | TRANSMISSION                 |
| H = Sport   | J = Wrangler 4WD       | 77 = 93.4 WB | ED1, ED0 = 2.4L DOHC  | DGG, DGD = 32RH 3 Spd. Auto. |
| L = SE      | U = Wrangler 4WD (RHD) |              | ERH = 4.0L Power Tech | DDD = 5 Speed HD Manual      |
| M = X       |                        |              |                       | DG0 = Auto. Trans.           |
| P = Sahara  |                        |              |                       | DBB = Manual Trans.          |
| S = Rubicon |                        |              |                       | DDK = 5 Speed Manual         |

AR = Use as required - = Non illustrated part # = New this model year

August 27, 2004



Switches - Instrument Panel  
Figure 008-805



| ITEM                       | PART NUMBER | QTY | LINE | SERIES | BODY | ENGINE | TRANS | TRIM | DESCRIPTION   |
|----------------------------|-------------|-----|------|--------|------|--------|-------|------|---|
| Notes:                     |             |     |      |        |      |        |       |      |   |
| DG0=Automatic Transmission |             |     |      |        |      |        |       |      |   |
| DBB= Manual Transmission   |             |     |      |        |      |        |       |      |   |
| 1                          | 56009 640AB | 1   |      |        |      |        |       |      | SWITCH, Headlamp Leveling, Headlamp Leveling (Export)   |
| 2                          |             |     |      |        |      |        |       |      | SWITCH, Multifunction, Left Stalk Includes Interior Lights, Exterior Lights (High/Low) & Turn Signal Controls |
|                            | 5016 708AD  | 1   |      |        |      |        |       |      | [LNJ]   |
|                            | 5016 709AD  | 1   |      |        |      |        |       |      | [LPG]   |
|                            | 5016 710AD  | 1   |      |        |      |        |       |      |   |
| -3                         | 55315 026AB | 1   |      |        |      |        |       |      | WATERSHIELD, Switch, Left   |
| 4                          | 5016 711AB  | 1   |      |        |      |        |       |      | SWITCH, Intermittent Wiper, Right Stalk Includes Windshield Washer & Wiper Functions                          |
| 5                          | 4607 084    | 1   |      |        |      |        |       |      | FLASHER   |
| -6                         | 55315 027AB | 1   |      |        |      |        |       |      | WATERSHIELD, Switch, Right  |
| 7                          | 4793 576AB  | 1   |      |        |      |        |       |      | SWITCH, Ignition  |
| -8                         |             |     |      |        |      |        |       |      | SCREW, Pan Head Tapping, .125-40x.437, (NOT SERVICED) (Not Serviced)  |
| 9                          |             |     |      |        |      |        |       |      | SWITCH, Electric Back Light, 56007250   |
|                            | 5600 7250   | 1   |      |        |      |        |       |      |   |
| 10                         |             |     |      |        |      |        |       |      | SWITCH, Wiper and Washer, 56007249  |
|                            | 5600 7249   | 1   |      |        |      |        |       |      | Rear  |
|                            |             | 1   |      |        |      |        |       |      | Rear  |
| 11                         |             |     |      |        |      |        |       |      | PLUG, Switch Opening  |
|                            | 56007 285AB | 1   |      |        |      |        |       |      | Over Drive Lockout  |
|                            | 5600 7329   | 1   |      |        |      |        |       |      | Heated Rear Window  |
|                            |             | 1   |      |        |      |        |       |      | Heated Rear Window  |
|                            | 5600 7330   | 1   |      |        |      |        |       |      | Rear Washer & Wiper   |
|                            |             | 1   |      |        |      |        |       |      | Rear Washer & Wiper   |
|                            | 56047 065AA | 1   |      |        |      |        |       |      | Axle Lock   |
|                            |             | 1   |      |        |      |        |       |      | Axle Lock   |
| 12                         |             |     |      |        |      |        |       |      | PLUG, Cover   |
|                            | 55315 000AB | 1   |      |        |      |        |       |      |   |

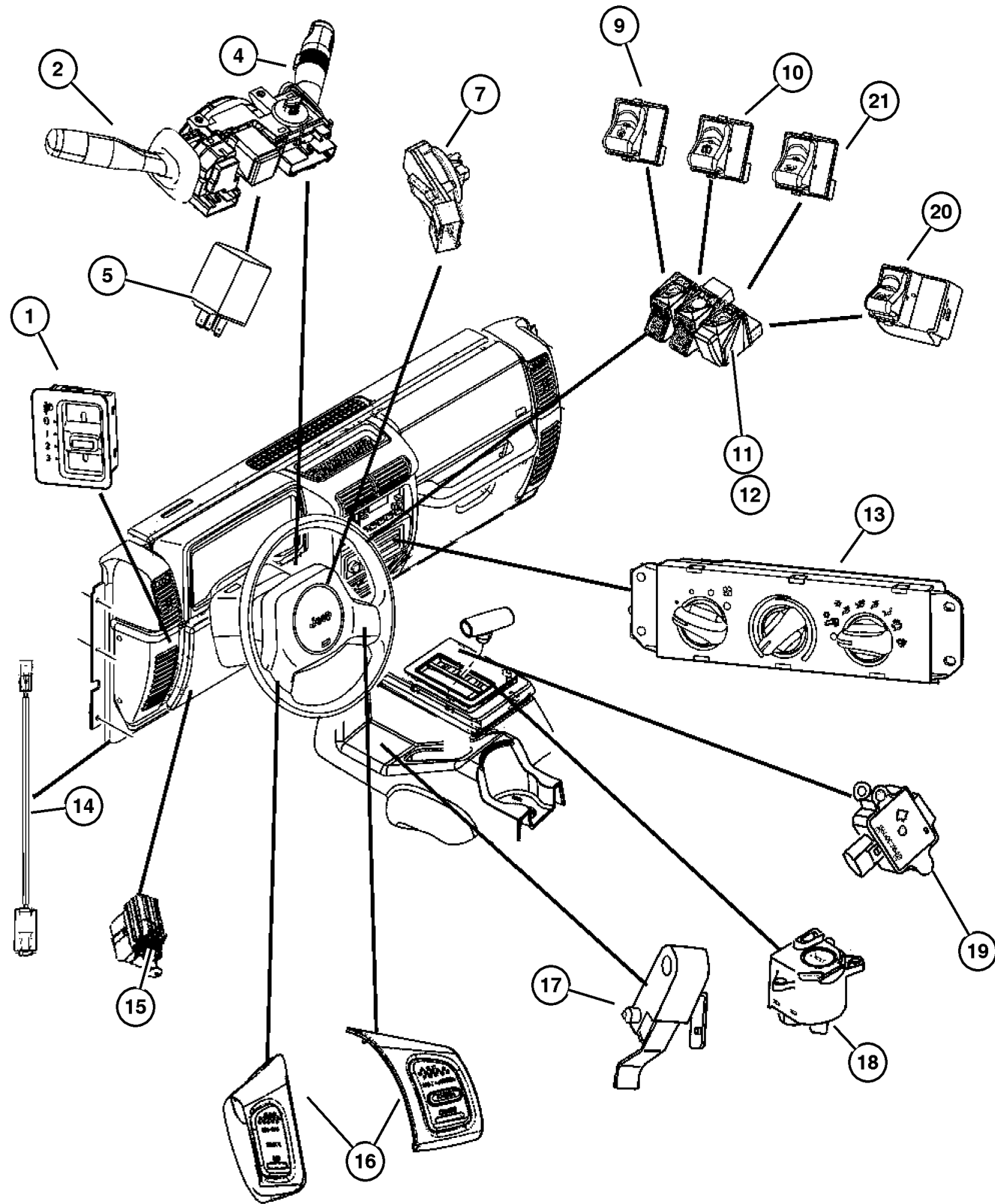
JEEP WRANGLER (TJ)

| SERIES      | LINE                   | BODY         | ENGINE                | TRANSMISSION                 |
|-------------|------------------------|--------------|-----------------------|------------------------------|
| H = Sport   | J = Wrangler 4WD       | 77 = 93.4 WB | ED1, ED0 = 2.4L DOHC  | DGG, DGD = 32RH 3 Spd. Auto. |
| L = SE      | U = Wrangler 4WD (RHD) |              | ERH = 4.0L Power Tech | DDD = 5 Speed HD Manual      |
| M = X       |                        |              |                       | DG0 = Auto. Trans.           |
| P = Sahara  |                        |              |                       | DBB = Manual Trans.          |
| S = Rubicon |                        |              |                       | DDK = 5 Speed Manual         |

AR = Use as required - = Non illustrated part # = New this model year

August 27, 2004

**Switches - Instrument Panel**  
**Figure 008-805**



| ITEM | PART NUMBER | QTY | LINE | SERIES | BODY | ENGINE | TRANS | TRIM | DESCRIPTION                      |
|------|-------------|-----|------|--------|------|--------|-------|------|----------------------------------|
|      |             | 1   |      |        |      |        |       |      |                                  |
| 13   | 55056 556AA | 1   | J    |        |      |        |       |      | CONTROL, A/C And Heater<br>[HC0] |
|      | 55056 557AA | 1   | U    |        | 77   |        |       |      | [HC0]                            |
|      | 55056 558AA | 1   | J    |        |      |        |       |      | [HA0]                            |
|      | 55056 559AA | 1   | U    |        | 77   |        |       |      | [HA0]                            |
| 14   | 5600 9047   | 1   | J    |        |      |        |       |      | SWITCH, Clutch Starter Interlock |
|      |             | 1   | U    |        | 77   |        |       |      |                                  |
| 15   | 4671 336    | 1   |      |        |      |        |       |      | SWITCH, Stop Lamp                |
| 16   | 5GY38 DX9AA | 1   |      |        |      |        |       |      | SWITCH, Speed Control<br>Right   |
|      | 5GY39 DX9AA | 1   |      |        |      |        |       |      | Left                             |
| 17   | 5209 922    | 1   |      |        |      |        |       |      | SWITCH, Parking Brake            |
| 18   | 56010 301AB | 1   |      |        |      |        |       |      | SWITCH, Passenger Airbag Disarm  |
|      |             | 1   |      |        |      |        |       |      |                                  |
| 19   | 56053 025AA | 1   |      |        |      |        |       |      | SWITCH, ABS Acceleration         |
| 20   | 56047 020AA | 1   |      |        |      |        |       |      | SWITCH, Overdrive Lockout        |
| 21   | 56047 066AC | 1   |      |        |      |        |       |      | SWITCH, Axle Lock                |
|      |             | 1   |      |        |      |        |       |      |                                  |

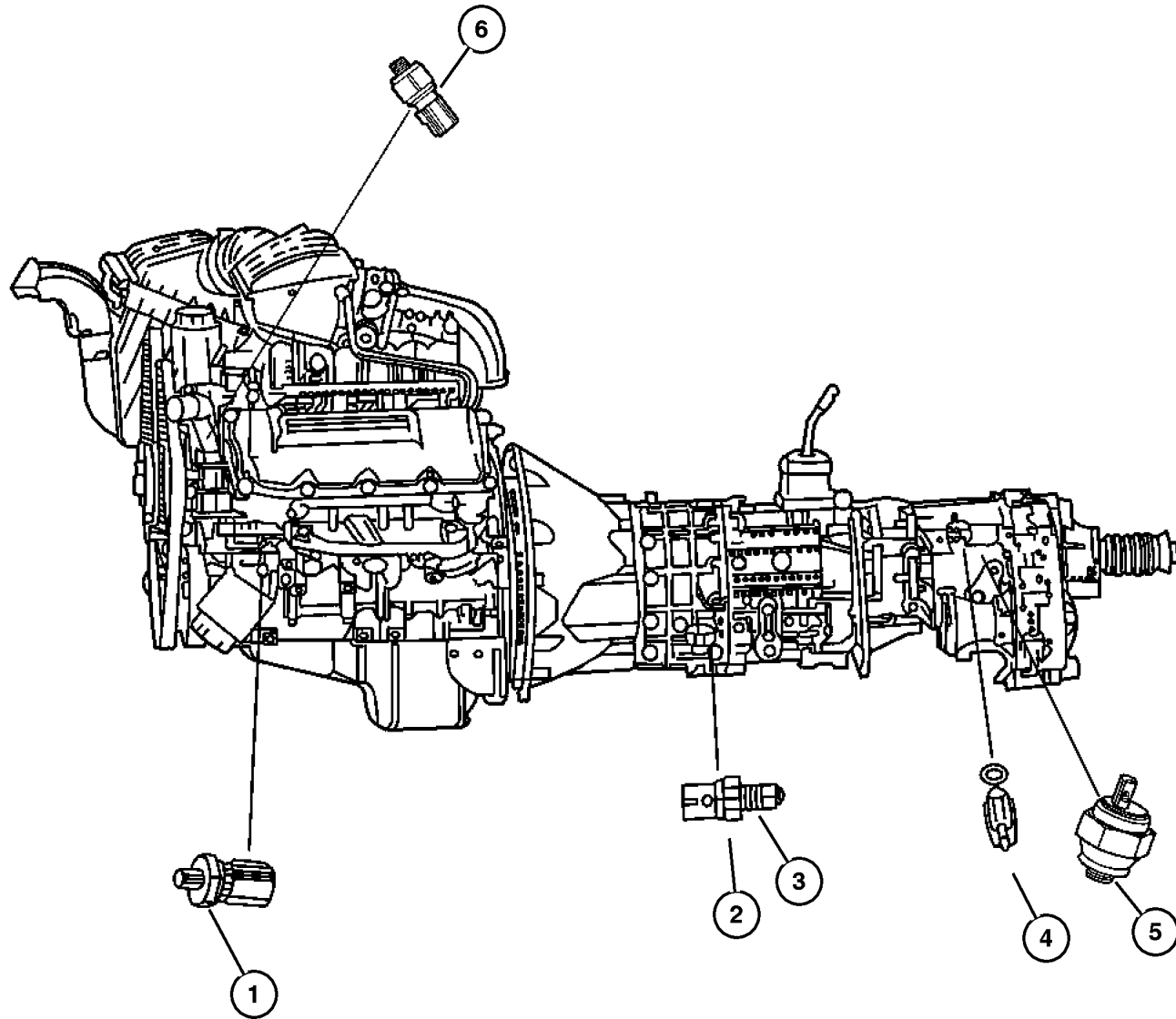
**JEEP WRANGLER (TJ)**

|             |                        |              |                       |                                 |
|-------------|------------------------|--------------|-----------------------|---------------------------------|
| SERIES      | LINE                   | BODY         | ENGINE                | TRANSMISSION                    |
| H = Sport   | J = Wrangler 4WD       | 77 = 93.4 WB | ED1, ED0 = 2.4L DOHC  | DGG, DGD = 32RH 3 Spd.<br>Auto. |
| L = SE      | U = Wrangler 4WD (RHD) |              | ERH = 4.0L Power Tech | DDD = 5 Speed HD Manual         |
| M = X       |                        |              |                       | DG0 = Auto. Trans.              |
| P = Sahara  |                        |              |                       | DBB = Manual Trans.             |
| S = Rubicon |                        |              |                       | DDK = 5 Speed Manual            |

AR = Use as required - = Non illustrated part # = New this model year

August 27, 2004

Switches Drivetrain  
Figure 008-810



| ITEM | PART NUMBER | QTY | LINE | SERIES | BODY | ENGINE | TRANS | TRIM | DESCRIPTION                       |
|------|-------------|-----|------|--------|------|--------|-------|------|-----------------------------------|
| 1    |             |     |      |        |      |        |       |      | SWITCH, Oil Pressure              |
|      | 4868 672AA  | 1   |      |        |      | ER0    |       |      |                                   |
|      | 4608 303AB  | 1   |      |        |      | ED0    |       |      |                                   |
| 2    | 4659 677AC  | 1   |      |        | 77   | ED0    |       |      | SENSOR, Manual Valve Lever        |
| 3    | 5099 770AA  | 1   |      |        |      | ER0    |       |      | SWITCH, Back Up Lamp              |
| 4    | J813 4473   | 1   |      |        |      |        |       |      | SWITCH, Transfer Case Mode        |
| 5    | 5083 138AA  | 1   |      |        |      |        |       |      | SWITCH, Transfer Case, 5 Position |
| 6    | 56044 169AA | 1   | J    |        |      | ED0    |       |      | SWITCH, Power Steering            |

JEEP WRANGLER (TJ)

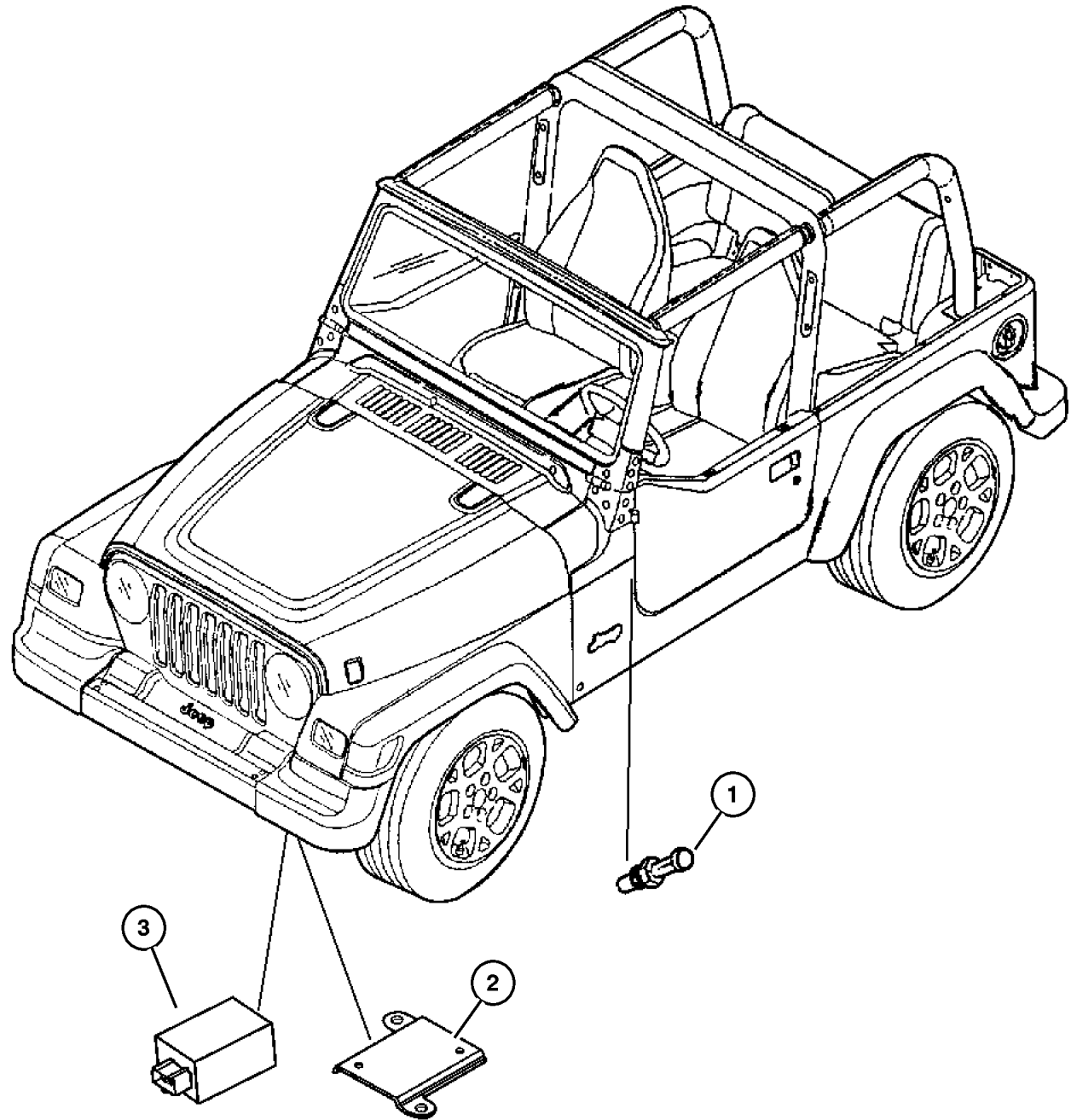
|             |                        |              |                       |                              |
|-------------|------------------------|--------------|-----------------------|------------------------------|
| SERIES      | LINE                   | BODY         | ENGINE                | TRANSMISSION                 |
| H = Sport   | J = Wrangler 4WD       | 77 = 93.4 WB | ED1, ED0 = 2.4L DOHC  | DGG, DGD = 32RH 3 Spd. Auto. |
| L = SE      | U = Wrangler 4WD (RHD) |              | ERH = 4.0L Power Tech | DDD = 5 Speed HD Manual      |
| M = X       |                        |              |                       | DG0 = Auto. Trans.           |
| P = Sahara  |                        |              |                       | DBB = Manual Trans.          |
| S = Rubicon |                        |              |                       | DDK = 5 Speed Manual         |

AR = Use as required - = Non illustrated part # = New this model year

August 27, 2004

Switches - Body  
Figure 008-815

| ITEM | PART NUMBER | QTY | LINE | SERIES | BODY | ENGINE | TRANS | TRIM | DESCRIPTION                           |
|------|-------------|-----|------|--------|------|--------|-------|------|---------------------------------------|
| 1    | 4687 558    | 2   |      |        |      |        |       |      | SWITCH, Door Ajar                     |
| 2    | 56053 026AA | 1   |      |        |      |        |       |      | BRACKET, Acceleration switch mounting |
| 3    | 56053 025AA | 1   |      |        |      |        |       |      | SWITCH, ABS Acceleration              |



JEEP WRANGLER (TJ)

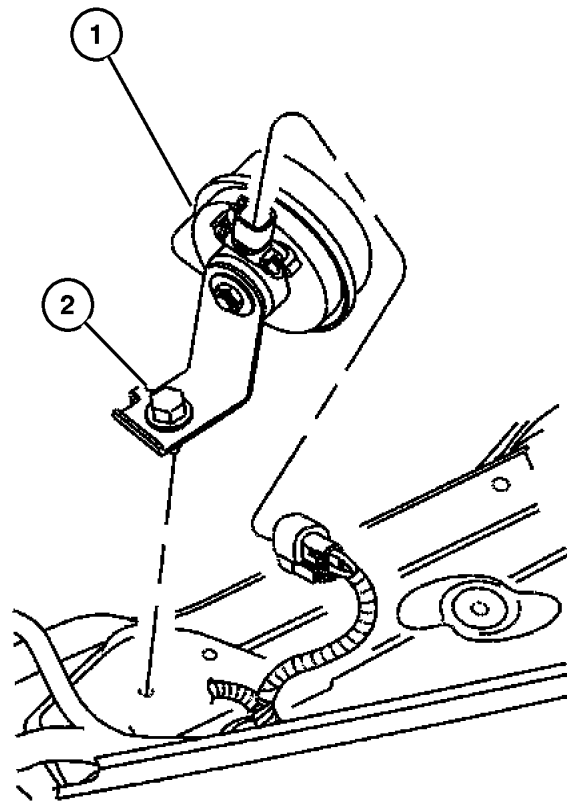
|             |                        |              |                       |                              |
|-------------|------------------------|--------------|-----------------------|------------------------------|
| SERIES      | LINE                   | BODY         | ENGINE                | TRANSMISSION                 |
| H = Sport   | J = Wrangler 4WD       | 77 = 93.4 WB | ED1, ED0 = 2.4L DOHC  | DGG, DGD = 32RH 3 Spd. Auto. |
| L = SE      | U = Wrangler 4WD (RHD) |              | ERH = 4.0L Power Tech | DDD = 5 Speed HD Manual      |
| M = X       |                        |              |                       | DG0 = Auto. Trans.           |
| P = Sahara  |                        |              |                       | DBB = Manual Trans.          |
| S = Rubicon |                        |              |                       | DDK = 5 Speed Manual         |

AR = Use as required - = Non illustrated part # = New this model year

August 27, 2004

## Horns Figure 008-905

| ITEM | PART NUMBER | QTY | LINE | SERIES | BODY | ENGINE | TRANS | TRIM | DESCRIPTION  |
|------|-------------|-----|------|--------|------|--------|-------|------|--|
| 1    | 56047 032AA | 1   |      |        |      |        |       |      | HORN, Low Note   |
| 2    |             |     |      |        |      |        |       |      | SCREW, Tap, M8x1.25x22, Serviced in horn assembly, (NOT SERVICED) (Not Serviced) |



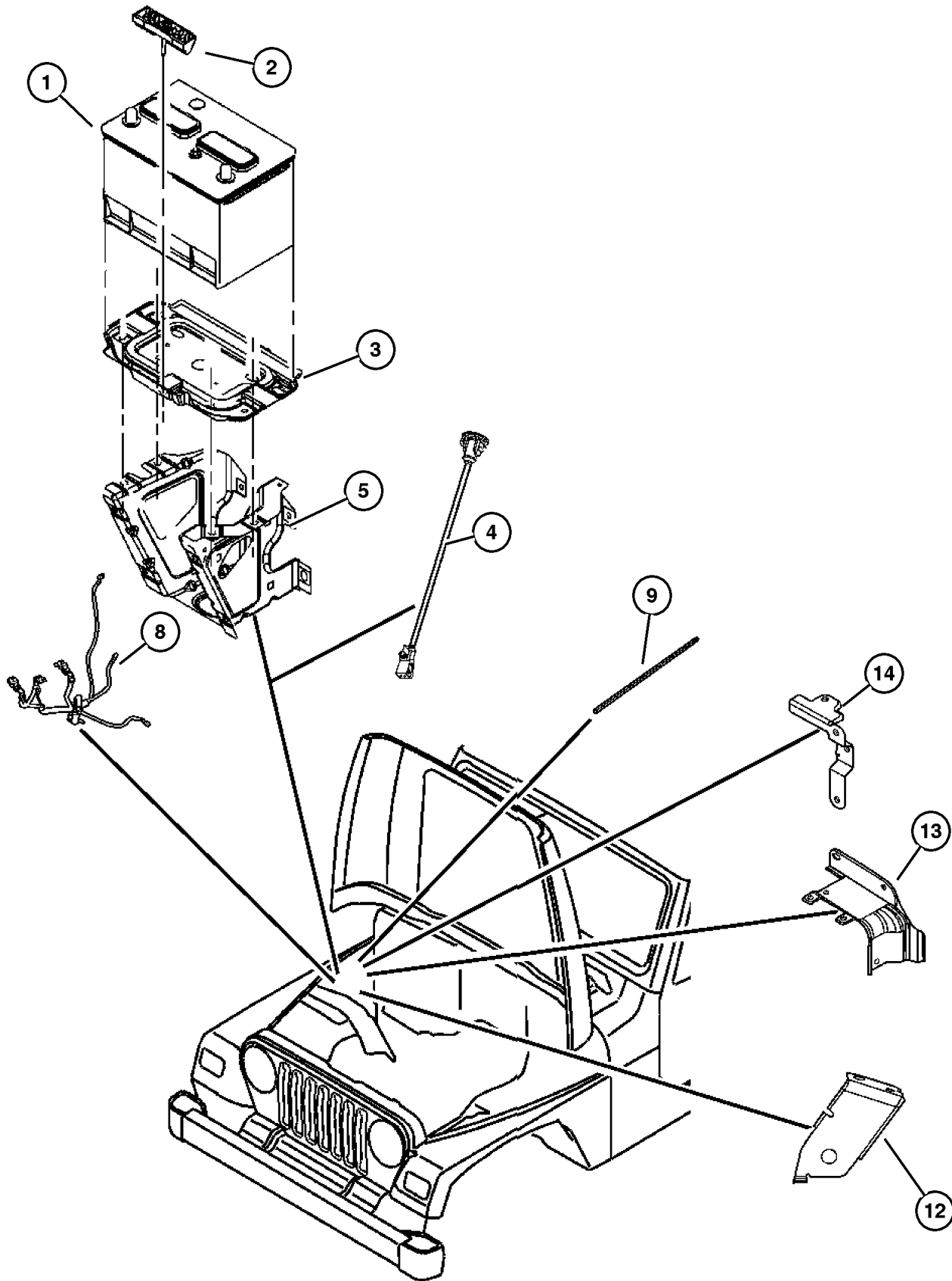
|                           |                        |              |                       |                              |
|---------------------------|------------------------|--------------|-----------------------|------------------------------|
| <b>JEEP WRANGLER (TJ)</b> |                        |              |                       |                              |
| SERIES                    | LINE                   | BODY         | ENGINE                | TRANSMISSION                 |
| H = Sport                 | J = Wrangler 4WD       | 77 = 93.4 WB | ED1, ED0 = 2.4L DOHC  | DGG, DGD = 32RH 3 Spd. Auto. |
| L = SE                    | U = Wrangler 4WD (RHD) |              | ERH = 4.0L Power Tech | DDD = 5 Speed HD Manual      |
| M = X                     |                        |              |                       | DG0 = Auto. Trans.           |
| P = Sahara                |                        |              |                       | DBB = Manual Trans.          |
| S = Rubicon               |                        |              |                       | DDK = 5 Speed Manual         |

AR = Use as required   - = Non illustrated part   # = New this model year

August 27, 2004

## Battery Tray & Cables Figure 008-1005

| ITEM | PART NUMBER | QTY | LINE | SERIES | BODY | ENGINE      | TRANS | TRIM | DESCRIPTION   |
|------|-------------|-----|------|--------|------|-------------|-------|------|---|
| 1    | 4609 365AD  | 1   |      |        |      | ED0,<br>ER0 |       |      | BATTERY, See MOPAR Battery Catalog], [BC2]                        |
| 2    | 55136 959AC | 1   |      |        |      |             |       |      | BRACKET, Battery Hold Down  |
| 3    | 55395 173AA | 1   |      |        |      |             |       |      | TRAY, Battery   |
| 4    | 5602 7332   | 1   |      |        |      |             |       |      | SENSOR, Battery Temperature                                       |
| 5    | 55174 782AE | 1   |      |        |      |             |       |      | REINFORCEMENT, Battery Tray Right                                 |
|      | 55174 783AE | 1   |      |        |      |             |       |      | Left  |
| -6   | 6100 583    | 6   |      |        |      |             |       |      | SCREW AND WASHER, Hex Head, M8x1.25x25                            |
| -7   | 0180 077    | 1   |      |        |      |             |       |      | BOLT, Hex Head, 5/16x18x3/4                                       |
| 8    | 56047 555AB | 1   | J    |        |      | ER0         |       |      | WIRING, Battery   |
|      | 56047 556AB | 1   | U    |        | 77   | ER0         |       |      |   |
|      | 56047 559AB | 1   |      |        |      | ED0         |       |      |   |
| 9    | 55176 426AB | 1   | J    |        |      |             |       |      | PROTECTOR, Wiring   |
| -10  |             |     |      |        |      |             |       |      | SCREW, .437-14x.75, (NOT SERVICED) (Not Serviced)                 |
| -11  | 6101 808    | 2   |      |        |      |             |       |      | NUT, Hex, M6x1, Battery Cable to PDC attaching                    |
| 12   | 56044 161AA | 1   | J    |        |      | ED0         |       |      | BRACKET, Wiring Harness, Located Near Steering Column Shaft, Left |
| 13   | 56044 162AB | 1   |      |        |      | ED0         |       |      | BRACKET, Wiring Harness   |
| 14   | 56009 901AA | 1   | U    |        | 77   |             |       |      | BRACKET, Wiring Harness   |



### JEEP WRANGLER (TJ)

SERIES  
H = Sport  
L = SE  
M = X  
P = Sahara  
S = Rubicon

LINE  
J = Wrangler 4WD  
U = Wrangler 4WD (RHD)

BODY  
77 = 93.4 WB

ENGINE  
ED1, ED0 = 2.4L DOHC  
ERH = 4.0L Power Tech

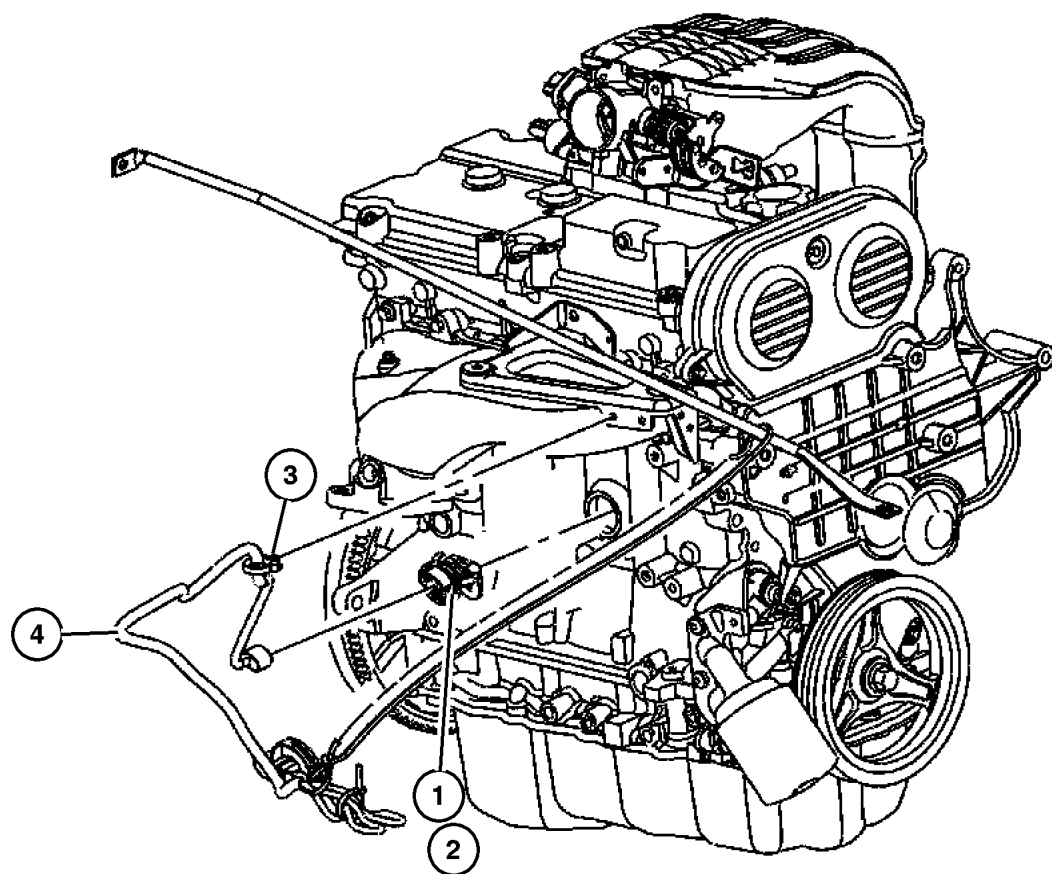
TRANSMISSION  
DGG, DGD = 32RH 3 Spd. Auto.  
DDD = 5 Speed HD Manual  
DGO = Auto. Trans.  
DBB = Manual Trans.  
DDK = 5 Speed Manual

AR = Use as required - = Non illustrated part # = New this model year

August 27, 2004

# Engine Heaters Figure 008-1010

| ITEM | PART NUMBER | QTY | LINE | SERIES | BODY | ENGINE | TRANS | TRIM | DESCRIPTION                   |
|------|-------------|-----|------|--------|------|--------|-------|------|-------------------------------|
| 1    | 4557 686AB  | 1   |      |        |      | ED0    |       |      | HEATER, Engine                |
| 2    | 8220 1506   | 1   |      |        |      | ER0    |       |      | HEATER PACKAGE, Engine Block  |
| 3    | 6015 756    | 1   |      |        |      | ED0    |       |      | STRAP, Tie, Block heater cord |
| 4    | 5601 6834   | 1   |      |        |      | ER0    |       |      | CORD, Engine Block Heater     |
|      | 56044 160AA | 1   |      |        |      | ED0    |       |      |                               |

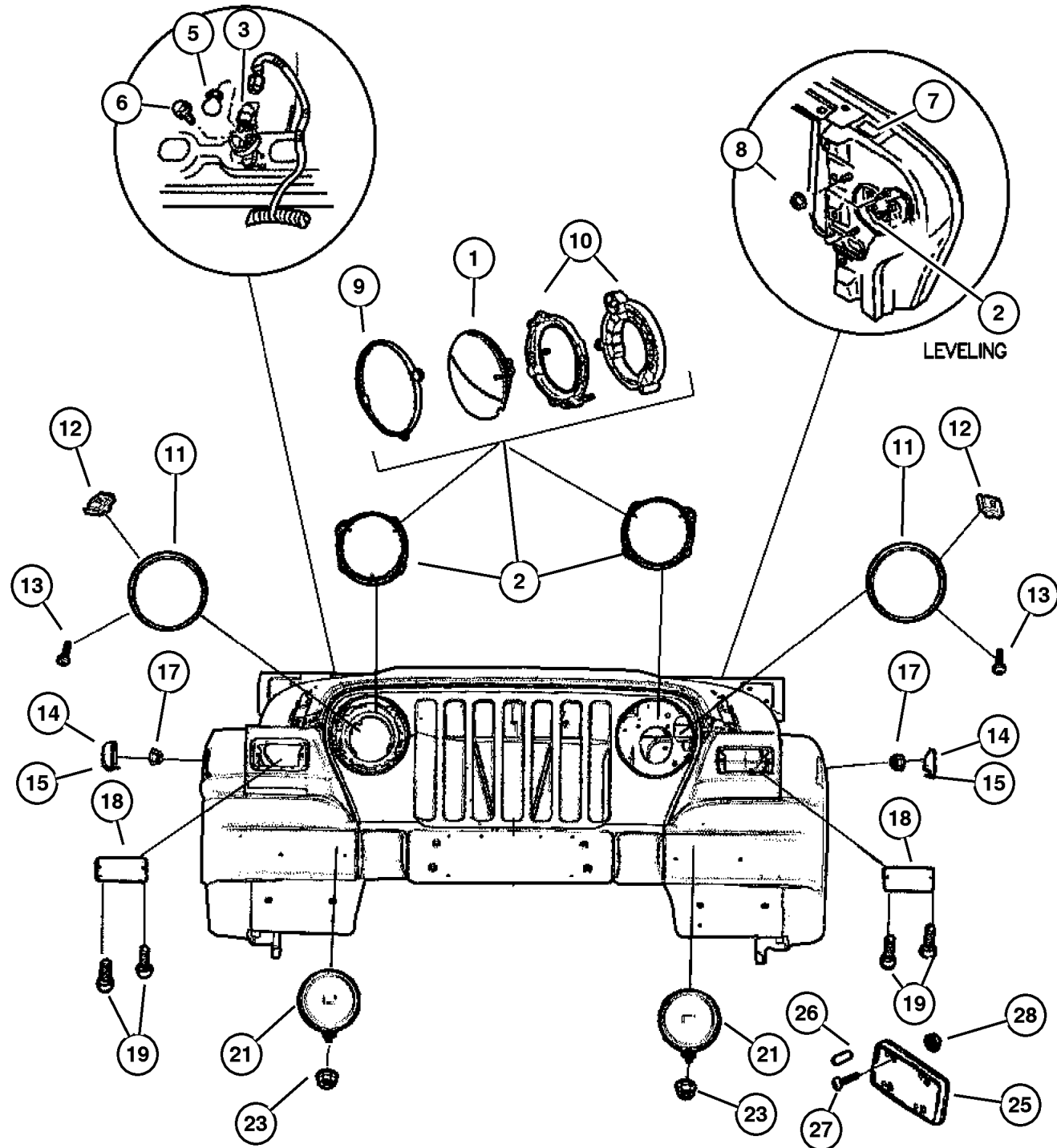


|                           |                        |              |                       |                              |
|---------------------------|------------------------|--------------|-----------------------|------------------------------|
| <b>JEEP WRANGLER (TJ)</b> |                        |              |                       |                              |
| SERIES                    | LINE                   | BODY         | ENGINE                | TRANSMISSION                 |
| H = Sport                 | J = Wrangler 4WD       | 77 = 93.4 WB | ED1, ED0 = 2.4L DOHC  | DGG, DGD = 32RH 3 Spd. Auto. |
| L = SE                    | U = Wrangler 4WD (RHD) |              | ERH = 4.0L Power Tech | DDD = 5 Speed HD Manual      |
| M = X                     |                        |              |                       | DG0 = Auto. Trans.           |
| P = Sahara                |                        |              |                       | DBB = Manual Trans.          |
| S = Rubicon               |                        |              |                       | DDK = 5 Speed Manual         |

AR = Use as required - = Non illustrated part # = New this model year

August 27, 2004

Lamps--Front  
Figure 008-1105



| ITEM   | PART NUMBER         | QTY | LINE | SERIES | BODY | ENGINE | TRANS | TRIM | DESCRIPTION  |
|--------|---------------------|-----|------|--------|------|--------|-------|------|--|
| Notes: |                     |     |      |        |      |        |       |      |  |
|        | [EP0] = 2.5L Engine |     |      |        |      |        |       |      |  |
|        | [ER0] = 4.0L Engine |     |      |        |      |        |       |      |  |
| 1      | 0154 905AA          | 1   |      |        |      |        |       |      | BULB, H6024BL, For use with 7' Round Headlamp (Replacement Sealed Beam Bulb)   |
| 2      |                     |     |      |        |      |        |       |      | HEADLAMP   |
|        | 55055 036AD         | 1   | J    |        |      |        |       |      | Without Leveling (Europe), Right   |
|        | 55055 037AD         | 1   | J    |        |      |        |       |      | Without Leveling (Europe), Left  |
|        | 55055 040AD         | 1   | J    |        |      |        |       |      | With Leveling (Europe), Right  |
|        | 55055 041AD         | 1   | J    |        |      |        |       |      | With Leveling (Europe), Left   |
|        | 4874 379            | 1   | J    |        |      |        |       |      | Europe (Qty. 02)   |
|        | 4874 380            | 1   | U    |        | 77   |        |       |      | Europe (Qty. 02)   |
|        | 55055 032AE         | 1   |      |        |      |        |       |      | 7' Round (Complete Headlamp Assembly), Right   |
|        | 55055 033AE         | 1   |      |        |      |        |       |      | 7' Round (Complete Headlamp Assembly), Left  |
|        | 55055 038AD         | 1   | U    |        | 77   |        |       |      | Without Leveling (Europe), Right   |
|        | 55055 039AD         | 1   | U    |        | 77   |        |       |      | Without Leveling (Europe), Left  |
|        | 55055 250AD         | 1   | U    |        | 77   |        |       |      | With Leveling (Europe), Right  |
|        | 55055 251AD         | 1   | U    |        | 77   |        |       |      | With Leveling (Europe), Left   |
| 3      | 5602 1441           | 1   |      |        |      |        |       |      | LAMP, Underhood  |
| -4     | 4897 446AA          | 1   |      |        |      |        |       |      | LENS, Lamp Module, Underhood Lamp  |
| 5      | L000 0561           | 1   |      |        |      |        |       |      | BULB, 561, Underhood Lamp  |
| 6      |                     |     |      |        |      |        |       |      | SCREW, 0.190-16x.625, (NOT SERVICED) (Not Serviced)  |
| 7      | 5263 188            | 1   |      |        |      |        |       |      | LABEL, Headlamp Leveling, H/Lamp Leveling System (AUSTRALIA, SOUTH AFRICA, SOUTH KOREA, UNITED KINGDOM, UNITED KINGDOM MARKET PACKAGE) |
| 8      | 6101 443            | 6   |      |        |      |        |       |      | NUT AND WASHER, Hex, M5x.80  |
| 9      |                     |     |      |        |      |        |       |      | RETAINER, Headlamp Bulb  |
|        | 4874 378            | 1   | U    |        | 77   |        |       |      |  |
|        |                     | 1   | J    |        |      |        |       |      |  |
|        |                     | 1   | J    |        |      |        |       |      |  |
| 10     |                     |     |      |        |      |        |       |      | SEAT, Headlamp, Serviced in Item 5 Headlamp, (NOT SERVICED) (Not Serviced)   |
| 11     |                     |     |      |        |      |        |       |      | BEZEL, Headlamp  |
|        | 5505 5046           | 1   |      |        |      |        |       |      | Chrome, Right  |

JEEP WRANGLER (TJ)

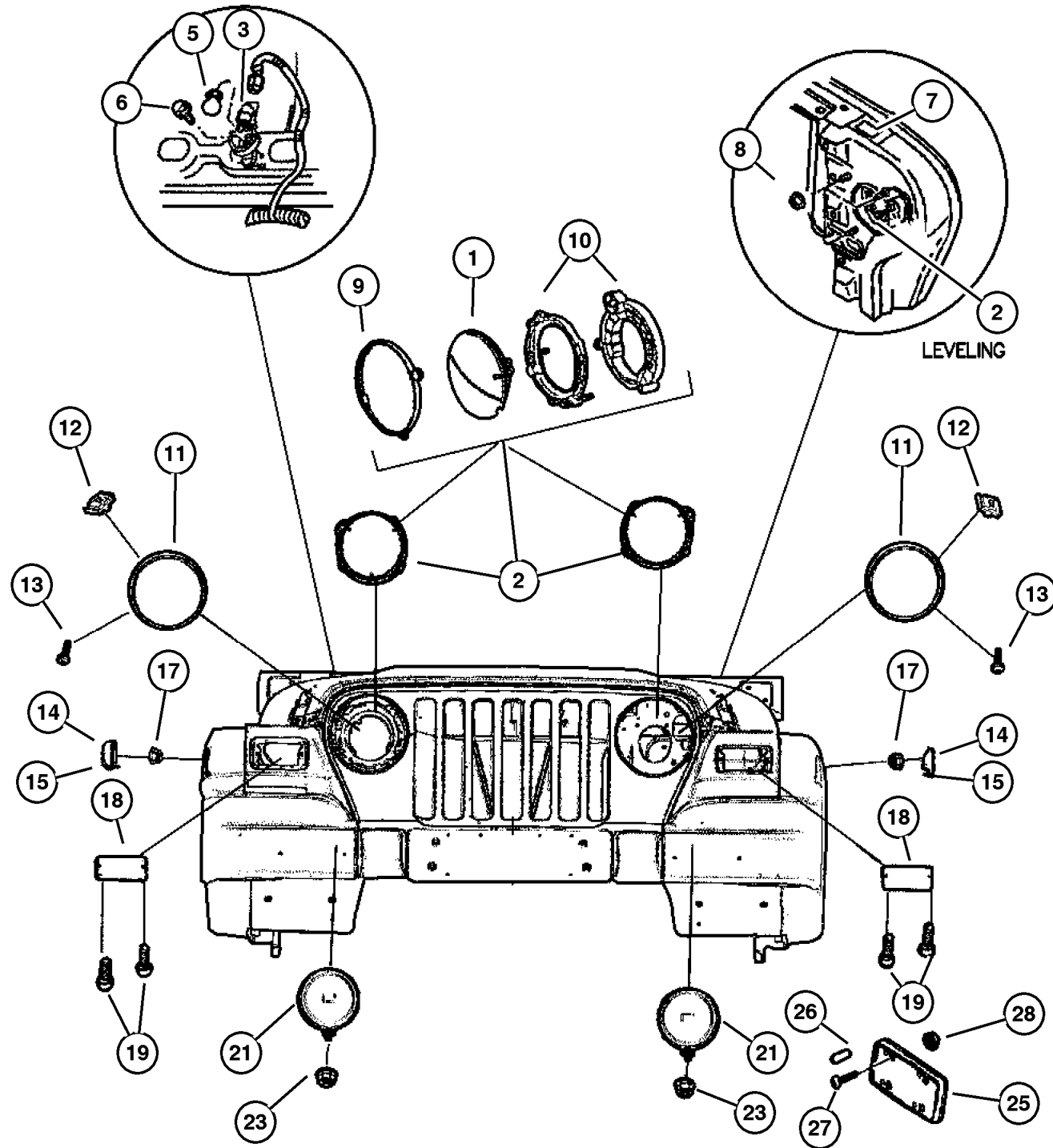
| SERIES      | LINE                   | BODY         | ENGINE                | TRANSMISSION                 |
|-------------|------------------------|--------------|-----------------------|------------------------------|
| H = Sport   | J = Wrangler 4WD       | 77 = 93.4 WB | ED1, ED0 = 2.4L DOHC  | DGG, DGD = 32RH 3 Spd. Auto. |
| L = SE      | U = Wrangler 4WD (RHD) |              | ERH = 4.0L Power Tech | DDD = 5 Speed HD Manual      |
| M = X       |                        |              |                       | DG0 = Auto. Trans.           |
| P = Sahara  |                        |              |                       | DBB = Manual Trans.          |
| S = Rubicon |                        |              |                       | DDK = 5 Speed Manual         |

AR = Use as required - = Non illustrated part # = New this model year

August 27, 2004



Lamps--Front  
Figure 008-1105



| ITEM | PART NUMBER | QTY | LINE | SERIES | BODY | ENGINE | TRANS | TRIM | DESCRIPTION   |
|------|-------------|-----|------|--------|------|--------|-------|------|---|
|      | 5505 5047   | 1   |      |        |      |        |       |      | Chrome, Left  |
| 12   | J400 0141   | 4   |      |        |      |        |       |      | NUT, Square, .286x.355, Right or Left                               |
| 13   | 6035 977AA  | 4   |      |        |      |        |       |      | SCREW, Tapping, .164-18x.625  |
| 14   |             |     |      |        |      |        |       |      | LAMP, Side Marker   |
|      | 55155 628AC | 1   |      |        |      |        |       |      | Right   |
|      | 55155 629AC | 1   |      |        |      |        |       |      | Left  |
| 15   |             |     |      |        |      |        |       |      | LAMP, Side Repeater   |
|      | 55155 460AC | 1   |      |        |      |        |       |      | Right   |
|      | 55155 461AC | 1   |      |        |      |        |       |      | Left  |
| -16  | 0153 624    | 2   |      |        |      |        |       |      | BULB, W3W, Side Repeater or Side Marker                             |
| 17   |             |     |      |        |      |        |       |      | NUT, (NOT SERVICED) (Not Serviced)                                  |
| 18   |             |     |      |        |      |        |       |      | LAMP, Park and Turn Signal  |
|      | 55157 033AA | 1   |      |        |      |        |       |      | Left  |
|      | 55157 032AA | 1   |      |        |      |        |       |      | Right   |
| 19   | 6035 977AA  | 4   |      |        |      |        |       |      | SCREW, Tapping, .164-18x.625  |
| -20  | L000 3157   | 1   |      |        |      |        |       |      | BULB, 3157  |
| 21   | 55077 917AA | 2   |      |        |      |        |       |      | LAMP, Fog   |
| -22  | L00H 355W   | 2   |      |        |      |        |       |      | BULB, Fog Lamp, H-3 55 WATT   |
| 23   | 6101 445    | 2   |      |        |      |        |       |      | NUT AND WASHER, Hex Nut-Coned Washer, M8 x 1.25, Fog lamp attaching |
| -24  |             |     |      |        |      |        |       |      | ACTUATOR, Headlamp  |
|      | 4874 382    | 1   | J    |        |      |        |       |      | Export  |
|      |             | 1   | U    |        |      | 77     |       |      |   |
| 25   | 55155 764AB | 1   |      |        |      |        |       |      | BRACKET, License Plate, Export                                      |
| 26   | 6030 441    | 2   | J    |        |      |        |       |      | PIN, Retainer   |
| 27   |             |     |      |        |      |        |       |      | SCREW, M6X1.00X16.00, (NOT SERVICED) (Not Serviced)                 |
| 28   |             |     |      |        |      |        |       |      | NUT, M6x1.00, (NOT SERVICED) (Not Serviced)                         |
| -29  |             |     |      |        |      |        |       |      | CAPSULE, Headlamp Level Connector                                   |
|      | 4874 381    | 1   | J    |        |      |        |       |      | Export  |
|      |             | 1   | U    |        |      | 77     |       |      | Export  |

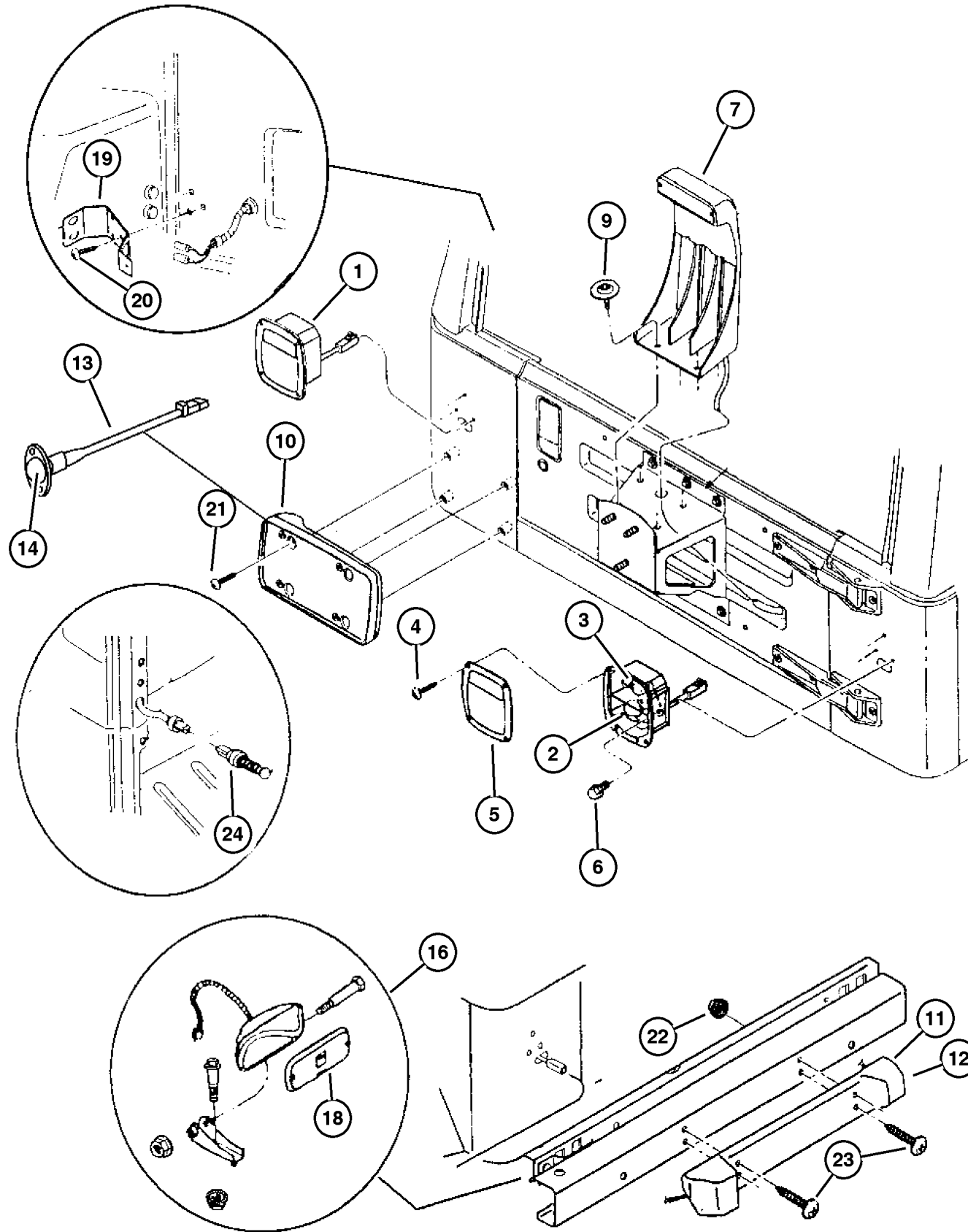
JEEP WRANGLER (TJ)

|             |                        |              |                       |                              |
|-------------|------------------------|--------------|-----------------------|------------------------------|
| SERIES      | LINE                   | BODY         | ENGINE                | TRANSMISSION                 |
| H = Sport   | J = Wrangler 4WD       | 77 = 93.4 WB | ED1, ED0 = 2.4L DOHC  | DGG, DGD = 32RH 3 Spd. Auto. |
| L = SE      | U = Wrangler 4WD (RHD) |              | ERH = 4.0L Power Tech | DDD = 5 Speed HD Manual      |
| M = X       |                        |              |                       | DG0 = Auto. Trans.           |
| P = Sahara  |                        |              |                       | DBB = Manual Trans.          |
| S = Rubicon |                        |              |                       | DDK = 5 Speed Manual         |

AR = Use as required - = Non illustrated part # = New this model year

August 27, 2004

Lamps--Rear  
Figure 008-1110



| ITEM | PART NUMBER | QTY | LINE | SERIES | BODY   | ENGINE | TRANS | TRIM | DESCRIPTION   |
|------|-------------|-----|------|--------|--------|--------|-------|------|---|
| 1    |             |     |      |        |        |        |       |      | LAMP, Tail Stop Turn  |
|      | 55155 624AC | 2   |      |        |        |        |       |      | Europe  |
|      | 56018 648AD | 1   |      |        |        |        |       |      | Right   |
|      | 56018 649AD | 1   |      |        |        |        |       |      | Left  |
| 2    | L000 1157   | 1   |      |        |        |        |       |      | BULB, 1157  |
| 3    | L000 1156   | 1   |      |        |        |        |       |      | BULB, 1156  |
| 4    |             |     |      |        |        |        |       |      | SCREW, .164-18x.625, (NOT SERVICED) (Not Serviced)                      |
| 5    |             |     |      |        |        |        |       |      | LENS, Taillamp  |
|      | 4856 459    | 2   |      |        |        |        |       |      | Europe  |
|      | 5600 6514   | 1   | J    |        |        |        |       |      |   |
| 6    |             |     |      |        |        |        |       |      | SCREW/WASHER, (NOT SERVICED) (Not Serviced)                             |
| 7    |             |     |      |        |        |        |       |      | LAMP, High Mounted Stop Without Off Road Group                          |
|      | 55055 280AB | 1   |      |        |        |        |       |      | Without Off Road Group  |
|      | 55156 490AA | 1   |      |        |        |        |       |      | With Off Road Group   |
| -8   | 6507 364AA  | 4   |      |        |        |        |       |      | SCREW, CHMSL to Spare Tire Mounting Bracket Attaching                   |
| 9    |             |     |      |        |        |        |       |      | SCREW AND WASHER, Hex Head, .312-18x1.00, (NOT SERVICED) (Not Serviced) |
| 10   | 5517 4994   | 1   |      |        | 77, 78 |        |       |      | BRACKET, License Plate  |
| 11   | 55175 106AB | 1   |      |        |        |        |       |      | BRACKET, LICENSE Mounting, Europe                                       |
| 12   | 55155 767AB | 1   |      |        |        |        |       |      | BRACKET, License Lamp   |
| 13   | 5505 5278   | 2   |      |        |        |        |       |      | LAMP, License   |
| 14   | 5515 5619   | 2   |      |        |        |        |       |      | LENS, License Lamp  |
| -15  | L002 825W5W | 1   |      |        |        |        |       |      | BULB, W10/5   |
| 16   | 5505 5273   | 1   |      |        |        |        |       |      | LAMP, Fog   |
| -17  | 0153 622    | 1   |      |        |        |        |       |      | BULB, P-25-1  |
| 18   | 4864 772    | 1   |      |        |        |        |       |      | LENS, Fog Lamp  |
| 19   | 5600 9056   | 1   |      |        |        |        |       |      | CLAMP, Contact Button, CHMSL Contact Button                             |
| 20   | 0154 631    | 3   |      |        |        |        |       |      | SCREW, Pan Head, .190-16x.5   |
| 21   |             |     |      |        |        |        |       |      | SCREW, M6x1x20, (NOT SERVICED) (Not Serviced)                           |
| 22   |             |     |      |        |        |        |       |      | NUT, M6x1.00, (NOT SERVICED) (Not Serviced)                             |
| 23   |             |     |      |        |        |        |       |      | SCREW, M6X1.00X16.00, (NOT SERVICED) (Not Serviced)                     |
| 24   | 4687 558    | 2   |      |        |        |        |       |      | SWITCH, Door Ajar   |

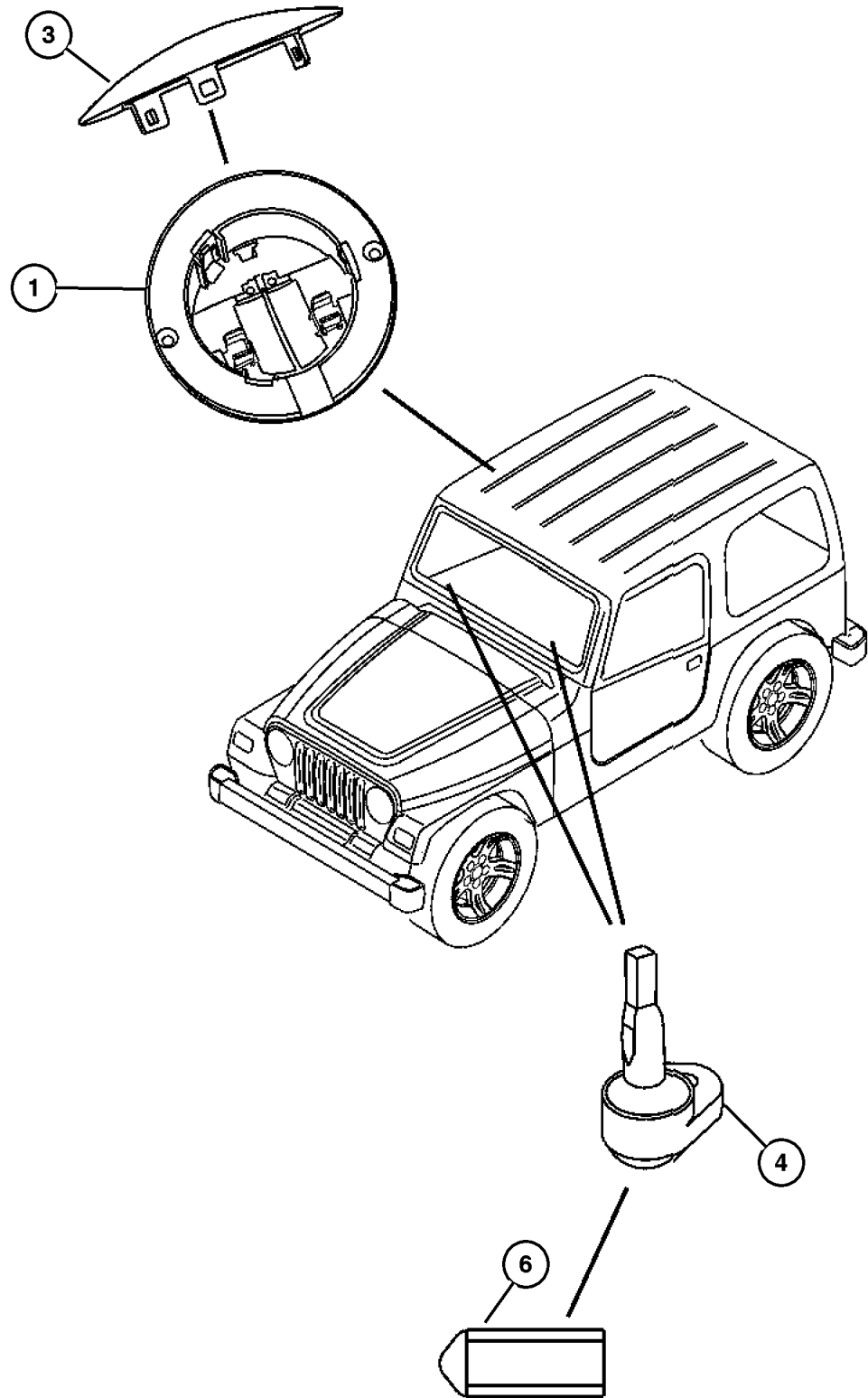
JEEP WRANGLER (TJ)

|             |                        |              |                       |                              |
|-------------|------------------------|--------------|-----------------------|------------------------------|
| SERIES      | LINE                   | BODY         | ENGINE                | TRANSMISSION                 |
| H = Sport   | J = Wrangler 4WD       | 77 = 93.4 WB | ED1, ED0 = 2.4L DOHC  | DGG, DGD = 32RH 3 Spd. Auto. |
| L = SE      | U = Wrangler 4WD (RHD) |              | ERH = 4.0L Power Tech | DDD = 5 Speed HD Manual      |
| M = X       |                        |              |                       | DG0 = Auto. Trans.           |
| P = Sahara  |                        |              |                       | DBB = Manual Trans.          |
| S = Rubicon |                        |              |                       | DDK = 5 Speed Manual         |

AR = Use as required - = Non illustrated part # = New this model year

August 27, 2004

Lamps--Cargo-Dome-Courtesy  
Figure 008-1115



| ITEM | PART NUMBER | QTY | LINE | SERIES | BODY | ENGINE | TRANS | TRIM | DESCRIPTION                      |
|------|-------------|-----|------|--------|------|--------|-------|------|----------------------------------|
| 1    | 56047 114AD | 1   |      |        |      |        |       |      | LAMP, Dome                       |
| -2   | L002 1102   | 1   |      |        |      |        |       |      | BULB, 211-2                      |
| 3    | 56047 115AA | 1   |      |        |      |        |       |      | LENS, Dome Lamp                  |
| 4    | 56042 559AA | 1   |      |        |      |        |       |      | LAMP, Courtesy                   |
| -5   | L000 0906   | 1   |      |        |      |        |       |      | BULB, 906                        |
| 6    | 5600 9433   | 1   |      |        |      |        |       |      | CAP, Screw Cover, Courtesy lamps |

| JEEP WRANGLER (TJ) |                        |              |                       |                              |
|--------------------|------------------------|--------------|-----------------------|------------------------------|
| SERIES             | LINE                   | BODY         | ENGINE                | TRANSMISSION                 |
| H = Sport          | J = Wrangler 4WD       | 77 = 93.4 WB | ED1, ED0 = 2.4L DOHC  | DGG, DGD = 32RH 3 Spd. Auto. |
| L = SE             | U = Wrangler 4WD (RHD) |              | ERH = 4.0L Power Tech | DDD = 5 Speed HD Manual      |
| M = X              |                        |              |                       | DG0 = Auto. Trans.           |
| P = Sahara         |                        |              |                       | DBB = Manual Trans.          |
| S = Rubicon        |                        |              |                       | DDK = 5 Speed Manual         |

AR = Use as required - = Non illustrated part # = New this model year

August 27, 2004

**Bulbs**  
**Figure 008-1120**

**EXTERIOR LAMPS**

| LAMP                         | BULB               |             |
|------------------------------|--------------------|-------------|
| Back-up lamp                 | 1156 or P21W       | (1) (2)     |
| Center High Mounted Stoplamp | 921 or W16W        | (3)         |
| Front Fog lamp               | H3                 | (4)         |
| Front Position lamp          | T4W                | (5)         |
| Front Side Marker            | 168 or W3W         | (6)         |
| Headlamp/Sealed Beam         | H6024 or H4        | (7) (8) (9) |
| License Plate lamp           | W5W<br>Export Only | (10)        |
| Park/Turn Signal             | 3157 or P27/7W     | (11)        |
| Rear Fog lamp                | P21W               | (12)        |
| Side Repeater lamp           | W3W                | (6)         |
| Tail/Stop                    | 1157 or P21/5W     | (13)        |
| Underhood lamp               | W5W                | (6)         |
| Underhood Retractable Lamp   | 105                | (14)        |

**INTERIOR LAMPS**

| LAMP                             | BULB |           |
|----------------------------------|------|-----------|
| Dome (Sound Bar)                 | 912  | (15)      |
| Under Hood                       | 561  | (14)      |
| Underpanel Courtesy              | 906  | (16)      |
| Instrument Cluster Illumination  | 103  | (17) (18) |
| Instrument Cluster Warning       | 74   | (19) (20) |
| Automatic Transmission Indicator | 658  | (21)      |

| ITEM                               | PART NUMBER | QTY | LINE | SERIES | BODY | ENGINE | TRANS | TRIM | DESCRIPTION   |
|------------------------------------|-------------|-----|------|--------|------|--------|-------|------|---|
| Notes:                             |             |     |      |        |      |        |       |      |   |
| [DGO] = All Automatic Transmission |             |     |      |        |      |        |       |      |   |
| 1                                  | L000 1156   | 1   |      |        |      |        |       |      | BULB, 1156  |
| 2                                  | L000 7528   | 2   |      |        |      |        |       |      | BULB, P-25-2, Export  |
| 3                                  | L000 921E   | 1   |      |        |      |        |       |      | BULB, 921   |
| 4                                  | L00H 355W   | 2   |      |        |      |        |       |      | BULB, Fog Lamp, H-3 55 WATT                                 |
| 5                                  | L000 3893   | 1   | J    |        |      |        |       |      | BULB, T8/4  |
|                                    |             | 1   | U    |        |      | 77     |       |      | Export  |
| 6                                  | 0153 624    | 2   |      |        |      |        |       |      | BULB, W3W   |
| 7                                  | 0154 905AA  | 1   |      |        |      |        |       |      | BULB, H6024BL   |
| 8                                  | L00H 460W   | 1   | J    |        |      |        |       |      | BULB, Headlamp, Halogen [ECE] Export                        |
| 9                                  | L0000 000H7 | 1   | J    |        |      |        |       |      | BULB, Headlamp, H-7, Light bar                              |
| 10                                 | L002 825W5W | 1   |      |        |      |        |       |      | BULB, W10/5   |
| 11                                 | L000 3157   | 1   |      |        |      |        |       |      | BULB, 3157  |
| 12                                 | 0153 622    | 1   |      |        |      |        |       |      | BULB, P-25-1  |
| 13                                 | L000 1157   | 1   |      |        |      |        |       |      | BULB, 1157  |
| 14                                 | L000 0561   | 1   |      |        |      |        |       |      | BULB, 561   |
| 15                                 | L002 1102   | 1   |      |        |      |        |       |      | BULB, 211-2   |
| 16                                 | L000 0906   | 1   |      |        |      |        |       |      | BULB, 906   |
| 17                                 | 4874 349    | 5   |      |        |      |        |       |      | BULB AND SOCKET   |
| 18                                 | 5013 829AA  | 1   | U    |        |      | 77     |       |      | BULB, Heater and A/C Control, With or without Air Condition |
| 19                                 | L000 0194   | 1   |      |        |      |        |       |      | BULB, 194, Passenger air bag warning                        |
| 20                                 | 4874 122AB  | 1   |      |        |      |        |       |      | BULB AND SOCKET   |
|                                    | 4874 123    | 1   |      |        |      |        |       |      | Switch Illuminator  |
|                                    |             | 1   |      |        |      |        |       |      | Switch on Indicator   |
|                                    | 4874 122AB  | 1   |      |        |      |        |       |      | Switch Illuminator  |
| 21                                 | L000 0658   | 1   |      |        |      |        |       |      | BULB, 658, PRNDL Cover                                      |

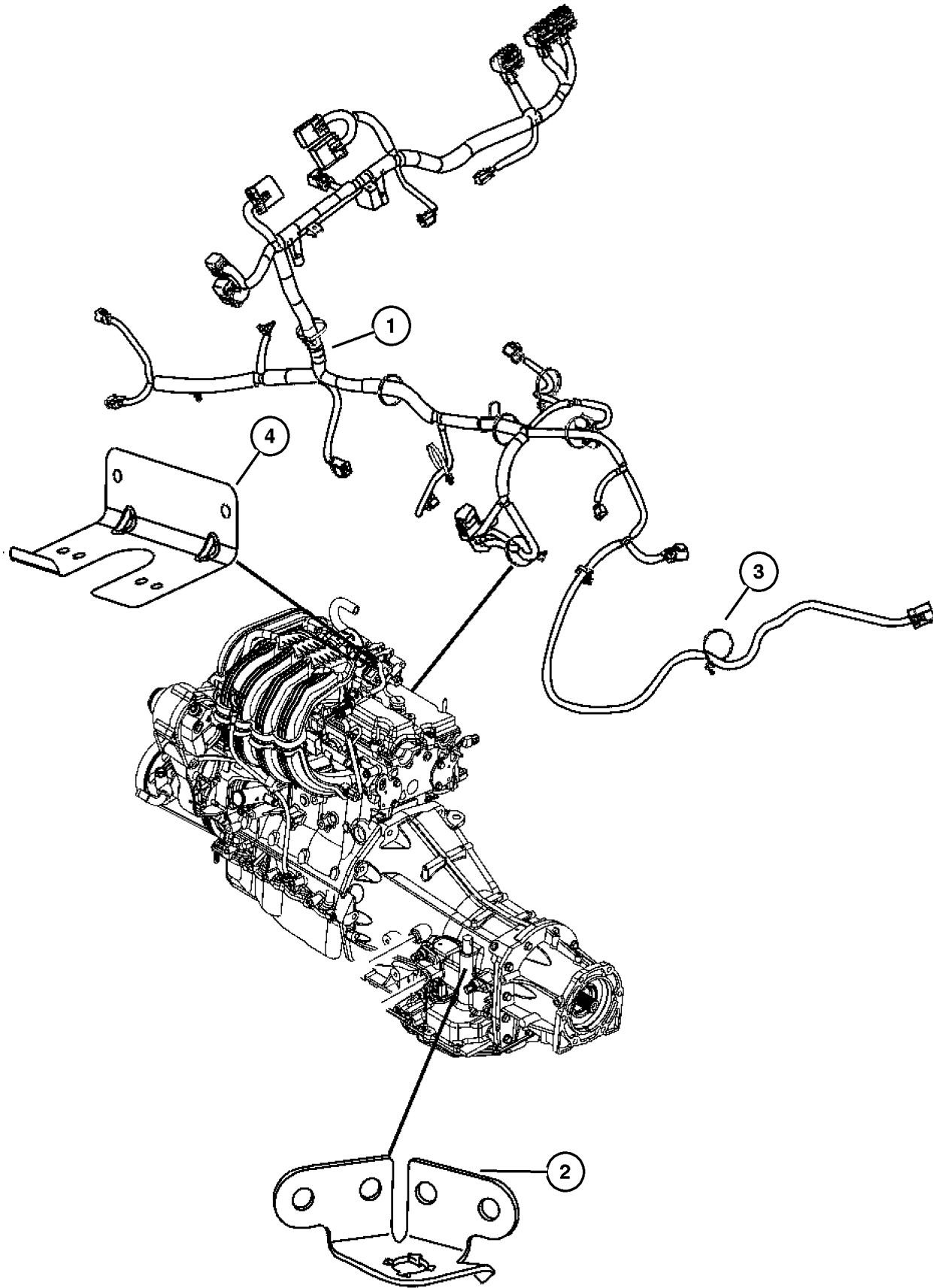
**JEEP WRANGLER (TJ)**

|             |                        |              |                       |                              |
|-------------|------------------------|--------------|-----------------------|------------------------------|
| SERIES      | LINE                   | BODY         | ENGINE                | TRANSMISSION                 |
| H = Sport   | J = Wrangler 4WD       | 77 = 93.4 WB | ED1, ED0 = 2.4L DOHC  | DGG, DGD = 32RH 3 Spd. Auto. |
| L = SE      | U = Wrangler 4WD (RHD) |              | ERH = 4.0L Power Tech | DDD = 5 Speed HD Manual      |
| M = X       |                        |              |                       | DGO = Auto. Trans.           |
| P = Sahara  |                        |              |                       | DBB = Manual Trans.          |
| S = Rubicon |                        |              |                       | DDK = 5 Speed Manual         |

AR = Use as required - = Non illustrated part # = New this model year

August 27, 2004

**Wiring--Engine [2.4L Engine]  
Figure 008-1205**



| ITEM | PART NUMBER | QTY | LINE | SERIES | BODY | ENGINE | TRANS | TRIM | DESCRIPTION                                     |
|------|-------------|-----|------|--------|------|--------|-------|------|---|
| 1    |             |     |      |        |      |        |       |      | WIRING, Engine, Transmission<br>Wiring Included |
|      | 56047 557AC | 1   | J    |        |      | ED0    |       |      |   |
|      | 56047 558AB | 1   | J    |        | 77   | ED0    |       |      |   |
| 2    | 5211 8181   | 1   |      |        |      |        |       |      | CLIP, Transfer case wiring                      |
| 3    | 5073 039AA  | 1   |      |        |      |        |       |      | STRAP, Tie                                      |
| 4    | 55176 744AD | 1   |      |        |      |        |       |      | BRACKET, Engine Wiring                          |

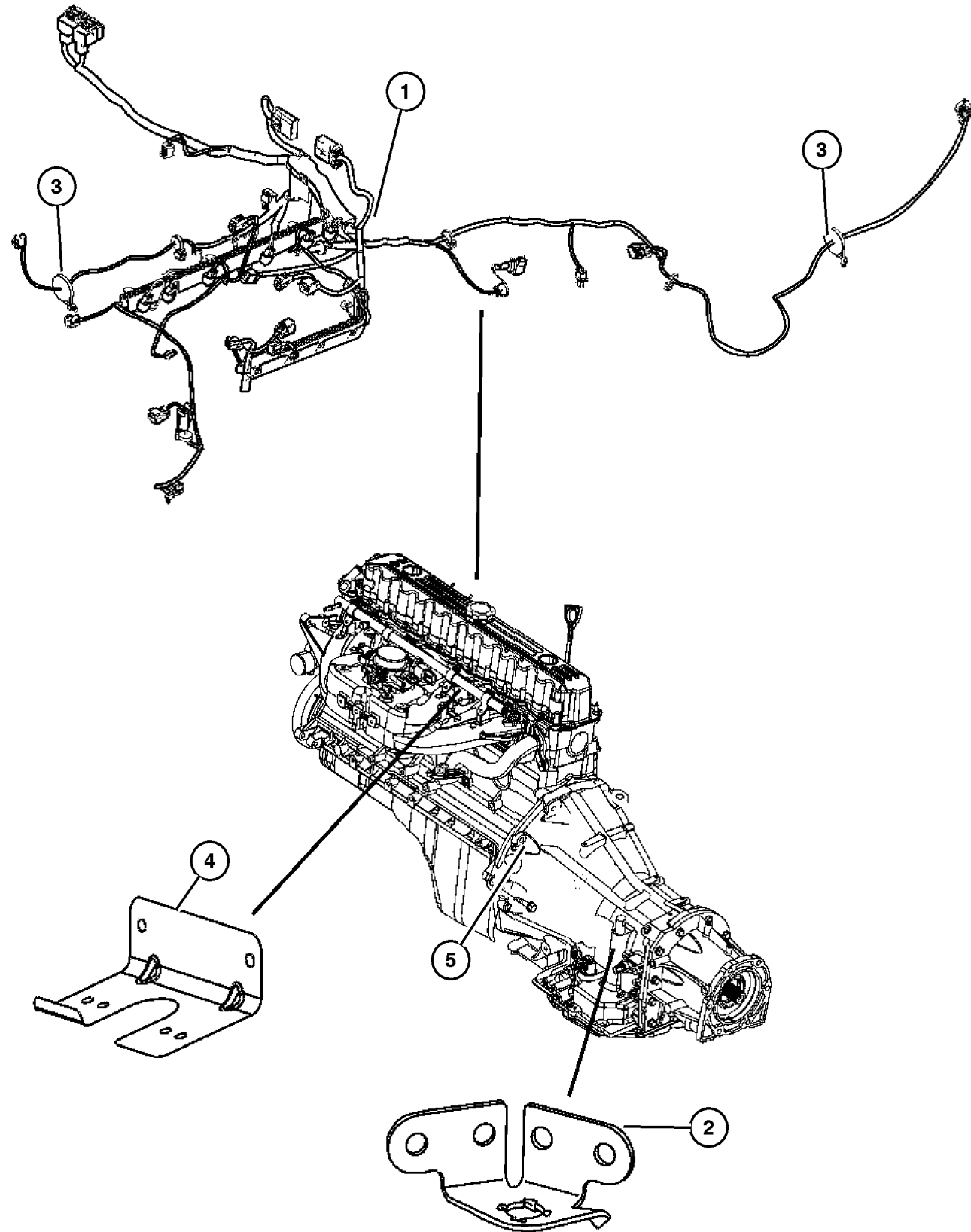
**JEEP WRANGLER (TJ)**

|             |                        |              |                       |                                 |
|-------------|------------------------|--------------|-----------------------|---------------------------------|
| SERIES      | LINE                   | BODY         | ENGINE                | TRANSMISSION                    |
| H = Sport   | J = Wrangler 4WD       | 77 = 93.4 WB | ED1, ED0 = 2.4L DOHC  | DGG, DGD = 32RH 3 Spd.<br>Auto. |
| L = SE      | U = Wrangler 4WD (RHD) |              | ERH = 4.0L Power Tech | DDD = 5 Speed HD Manual         |
| M = X       |                        |              |                       | DG0 = Auto. Trans.              |
| P = Sahara  |                        |              |                       | DBB = Manual Trans.             |
| S = Rubicon |                        |              |                       | DDK = 5 Speed Manual            |

AR = Use as required - = Non illustrated part # = New this model year

August 27, 2004

**Wiring Engine [4.0L Engine]  
Figure 008-1210**



| ITEM | PART NUMBER | QTY | LINE | SERIES | BODY   | ENGINE | TRANS | TRIM | DESCRIPTION                  |
|------|-------------|-----|------|--------|--------|--------|-------|------|------------------------------|
| 1    |             |     |      |        |        |        |       |      | WIRING, Engine, Transmission |
|      |             |     |      |        |        |        |       |      | Wiring Included              |
|      | 56047 537AB | 1   | J    |        | 77     | ER0    |       |      | [BGA,BRW]                    |
|      | 56047 538AC | 1   | J    |        | 77     | ER0    |       |      | [BGA,BRW]                    |
|      | 56047 541AB | 1   | U    |        | 77     | ER0    |       |      | [BGA,BRW]                    |
|      | 56047 542AC | 1   | U    |        | 77     | ER0    |       |      | [BGA,BRW]                    |
|      | 56047 545AB | 1   | J    |        | 77     | ER0    |       |      | [BGK]                        |
|      | 56047 546AC | 1   | J    |        | 77     | ER0    |       |      | [BGK]                        |
|      | 56047 553AB | 1   |      |        | 77     | ER0    |       |      | [AWL]                        |
|      | 56047 554AC | 1   |      |        | 77     | ER0    |       |      | [AWL]                        |
|      | 56052 317AB | 1   | J    |        | 61, 78 | ER0    |       |      | [BGA,BRW]                    |
|      | 56052 319AB | 1   | J    |        | 61, 78 | ER0    |       |      | [BGA,BRW]                    |
|      | 56052 632AA | 1   | J    |        | 78     | ER0    |       |      | [AWL]                        |
|      | 56052 633AA | 1   | J    |        | 78     | ER0    |       |      | [AWL]                        |
| 2    | 5211 8181   | 1   |      |        |        |        |       |      | CLIP, Transfer case wiring   |
| 3    | 5073 039AA  | 3   |      |        |        | ER0    |       |      | STRAP, Tie                   |
| 4    | 55176 744AD | 1   |      |        |        |        |       |      | BRACKET, Engine Wiring       |
| 5    | 56041 379AA | 1   |      |        |        | ER0    |       |      | CLIP, Housing, Bell housing  |

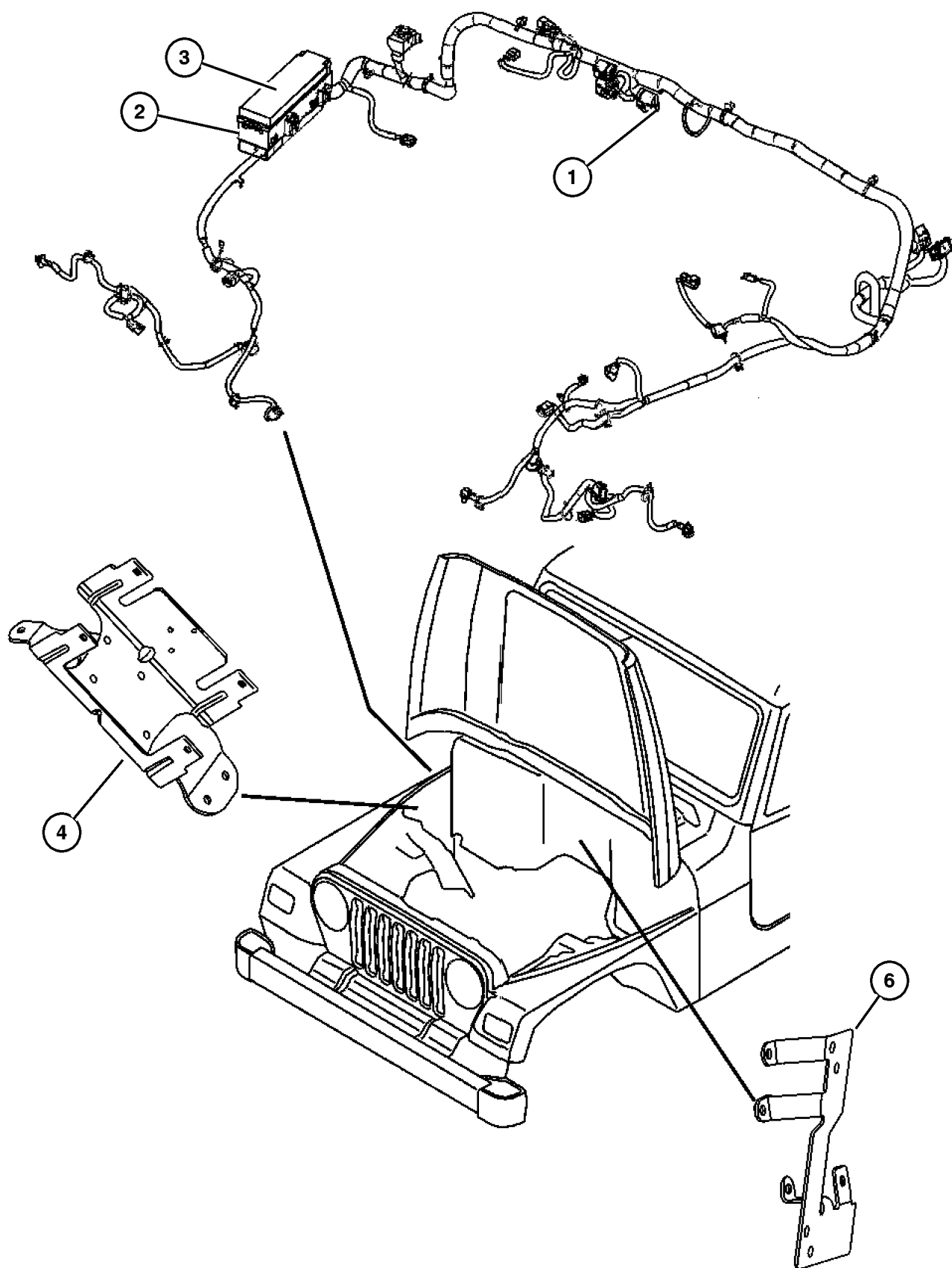
**JEEP WRANGLER (TJ)**

|             |                        |              |                       |                              |
|-------------|------------------------|--------------|-----------------------|------------------------------|
| SERIES      | LINE                   | BODY         | ENGINE                | TRANSMISSION                 |
| H = Sport   | J = Wrangler 4WD       | 77 = 93.4 WB | ED1, ED0 = 2.4L DOHC  | DGG, DGD = 32RH 3 Spd. Auto. |
| L = SE      | U = Wrangler 4WD (RHD) |              | ERH = 4.0L Power Tech | DDD = 5 Speed HD Manual      |
| M = X       |                        |              |                       | DG0 = Auto. Trans.           |
| P = Sahara  |                        |              |                       | DBB = Manual Trans.          |
| S = Rubicon |                        |              |                       | DDK = 5 Speed Manual         |

AR = Use as required - = Non illustrated part # = New this model year

August 27, 2004

**Wiring--Headlamp / Dash Panel**  
**Figure 008-1305**



| ITEM | PART NUMBER | QTY | LINE | SERIES | BODY   | ENGINE | TRANS | TRIM | DESCRIPTION  |
|------|-------------|-----|------|--------|--------|--------|-------|------|--|
| 1    |             |     |      |        |        |        |       |      | WIRING, Headlamp to Dash   |
|      | 56051 474AA | 1   | J    |        |        | ER0    |       |      | [BGA,BRW]  |
|      | 56051 475AA | 1   | J    |        |        | ER0    |       |      | [BGA,BRW]  |
|      | 56051 476AA | 1   | J    |        |        | ER0    |       |      | [NHM,BGA,BRW]  |
|      | 56051 477AA | 1   | J    |        |        | ER0    |       |      | [NHM,BGA,BRW]  |
|      | 56051 478AA | 1   | J    |        | 77, 78 | ER0    |       |      | [BRW,DSE]  |
|      | 56051 479AA | 1   | J    |        | 77, 78 | ER0    |       |      | [BRW,DSE]  |
|      | 56051 480AA | 1   | J    |        |        | ER0    |       |      | [BGK]  |
|      | 56051 481AA | 1   | J    |        |        | ER0    |       |      | [BGK]  |
|      | 56051 482AA | 1   | J    |        |        | ED0    |       |      | [BGA,HA0]  |
|      | 56051 483AA | 1   | J    |        |        | ED0    |       |      | [BGA,HA0]  |
|      | 56051 484AA | 1   | J    |        |        | ED0    |       |      | [BGA,HC0]  |
|      | 56051 485AA | 1   | J    |        |        | ED0    |       |      | [BGA,HC0]  |
|      | 56051 486AA | 1   | U    |        | 77     | ER0    |       |      | [BGA,BRW]  |
|      | 56051 490AA | 1   | J    |        |        | ER0    |       |      | [BRW,DSE,LMK]  |
|      | 56051 500AA | 1   | J    |        |        | ER0    |       |      | [BRW,DSE,LMK]  |
|      | 56051 501AA | 1   | J    |        |        | ER0    |       |      | [LMK,BGA,BRW]  |
|      | 56051 502AA | 1   | J    |        |        | ER0    |       |      | [LMK,BGA,BRW]  |
|      | 56051 503AA | 1   | J    |        |        | ER0    |       |      | [LMK,BGK]  |
|      | 56051 504AA | 1   | J    |        |        | ER0    |       |      | [LMK,BGK]  |
|      | 56051 507AA | 1   | J    |        |        | ED0    |       |      | [BGA,LMK,HC0]  |
|      | 56051 508AA | 1   | J    |        |        | ED0    |       |      | [BGA,LMK,HC0]  |
|      | 56051 509AA | 1   | J    |        |        | ER0    |       |      | [BGA,BRW], Export  |
|      | 56051 510AA | 1   | J    |        |        | ER0    |       |      | [BGA,BRW], Export  |
|      | 56051 511AA | 1   | J    |        |        | ER0    |       |      | [NHM,BGA,BRW], Export  |
|      | 56051 512AA | 1   | J    |        |        | ER0    |       |      | [NHM,BGA,BRW], Export  |
|      | 56051 513AA | 1   | J    |        |        | ER0    |       |      | [BGK], Export  |
|      | 56051 514AA | 1   | J    |        |        | ER0    |       |      | [BGK], Export  |
|      | 56051 515AA | 1   | U    |        | 77     | ER0    |       |      | [BGA], Export  |
|      | 56051 516AA | 1   | U    |        | 77     | ER0    |       |      | [BGA], Export  |
|      | 56051 517AA | 1   | U    |        | 77     | ER0    |       |      | [BGK], Export  |
|      | 56051 518AA | 1   | U    |        | 77     | ER0    |       |      | [BGK], Export  |
|      | 56051 519AA | 1   | J    |        | 77, 78 | ED0    |       |      | [BGA,HA0], Export  |
|      | 56051 520AA | 1   | J    |        | 77, 78 | ED0    |       |      | [BGA,HC0], Export  |
|      | 56051 857AA | 1   |      |        |        |        |       |      | [AHF]  |
| 2    |             |     |      |        |        |        |       |      | POWER DISTRIBUTION CENTER,<br>Serviced in wiring assembly only,<br>(NOT SERVICED) (Not Serviced) |
| 3    | 5134 137AA  | 1   | J    |        |        | ER0    |       |      | COVER, Power Distribution Center   |
| 4    | 56010 210AB | 1   |      |        |        |        |       |      | BRACKET, Power Distribution Center   |

**JEEP WRANGLER (TJ)**

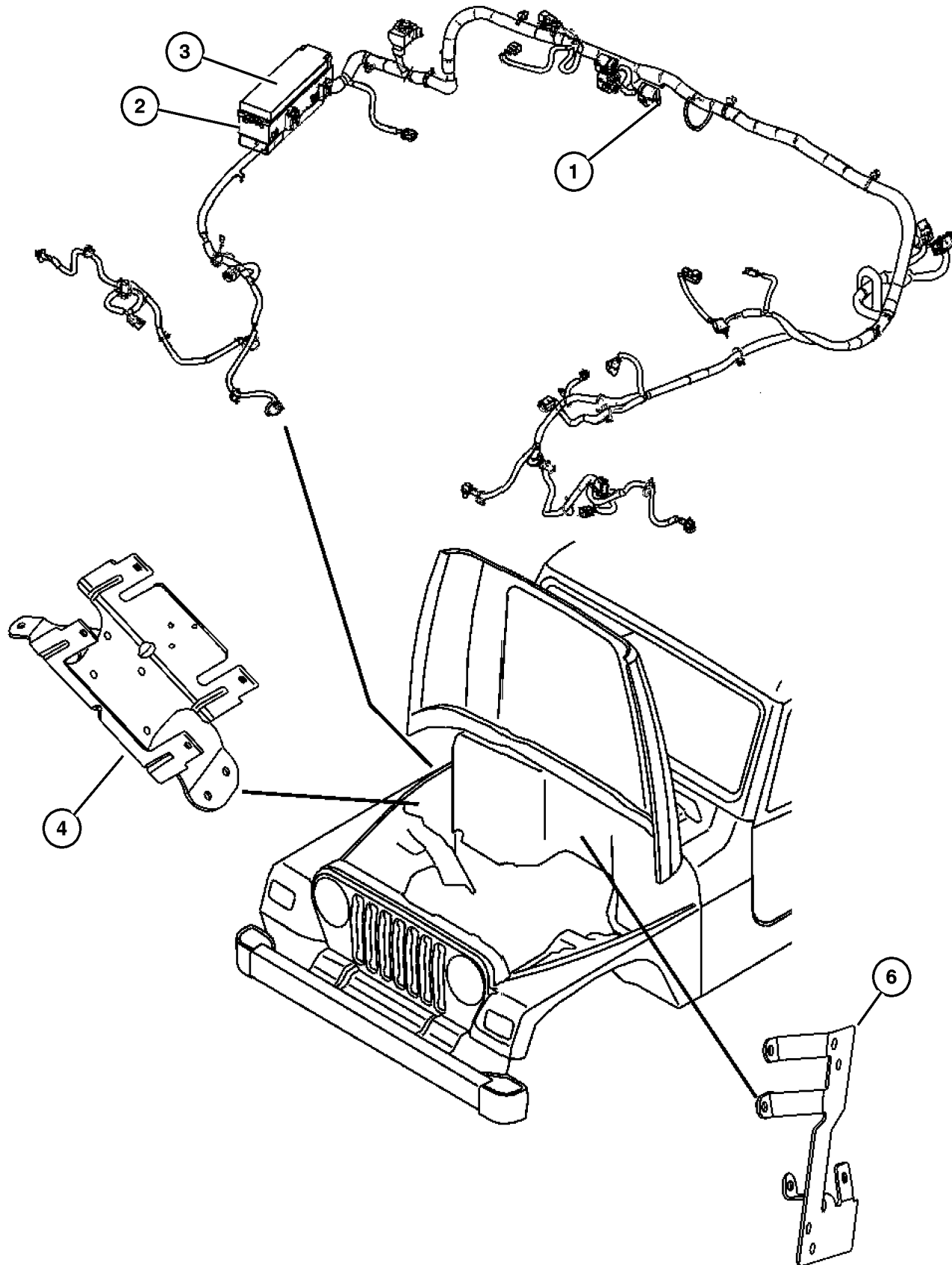
|             |                        |              |                       |                              |
|-------------|------------------------|--------------|-----------------------|------------------------------|
| SERIES      | LINE                   | BODY         | ENGINE                | TRANSMISSION                 |
| H = Sport   | J = Wrangler 4WD       | 77 = 93.4 WB | ED1, ED0 = 2.4L DOHC  | DGG, DGD = 32RH 3 Spd. Auto. |
| L = SE      | U = Wrangler 4WD (RHD) |              | ERH = 4.0L Power Tech | DDD = 5 Speed HD Manual      |
| M = X       |                        |              |                       | DGO = Auto. Trans.           |
| P = Sahara  |                        |              |                       | DBB = Manual Trans.          |
| S = Rubicon |                        |              |                       | DDK = 5 Speed Manual         |

AR = Use as required - = Non illustrated part # = New this model year

August 27, 2004

Wiring--Headlamp / Dash Panel  
Figure 008-1305

| ITEM | PART NUMBER | QTY | LINE | SERIES | BODY | ENGINE | TRANS | TRIM | DESCRIPTION |
|------|-------------|-----|------|--------|------|--------|-------|------|-------------|
|------|-------------|-----|------|--------|------|--------|-------|------|-------------|



|    |             |   |   |  |  |  |  |  |  |
|----|-------------|---|---|--|--|--|--|--|--|
| -5 |             |   |   |  |  |  |  |  | SCREW, M6.3x1.81x20, Tapping<br>(M6.3x1.81x20.00) Not Serv., (NOT SERVICED) (Not Serviced) |
| 6  | 56047 128AB | 1 | J |  |  |  |  |  | BRACKET, Wiring Harness, Side Cowl   |

JEEP WRANGLER (TJ)

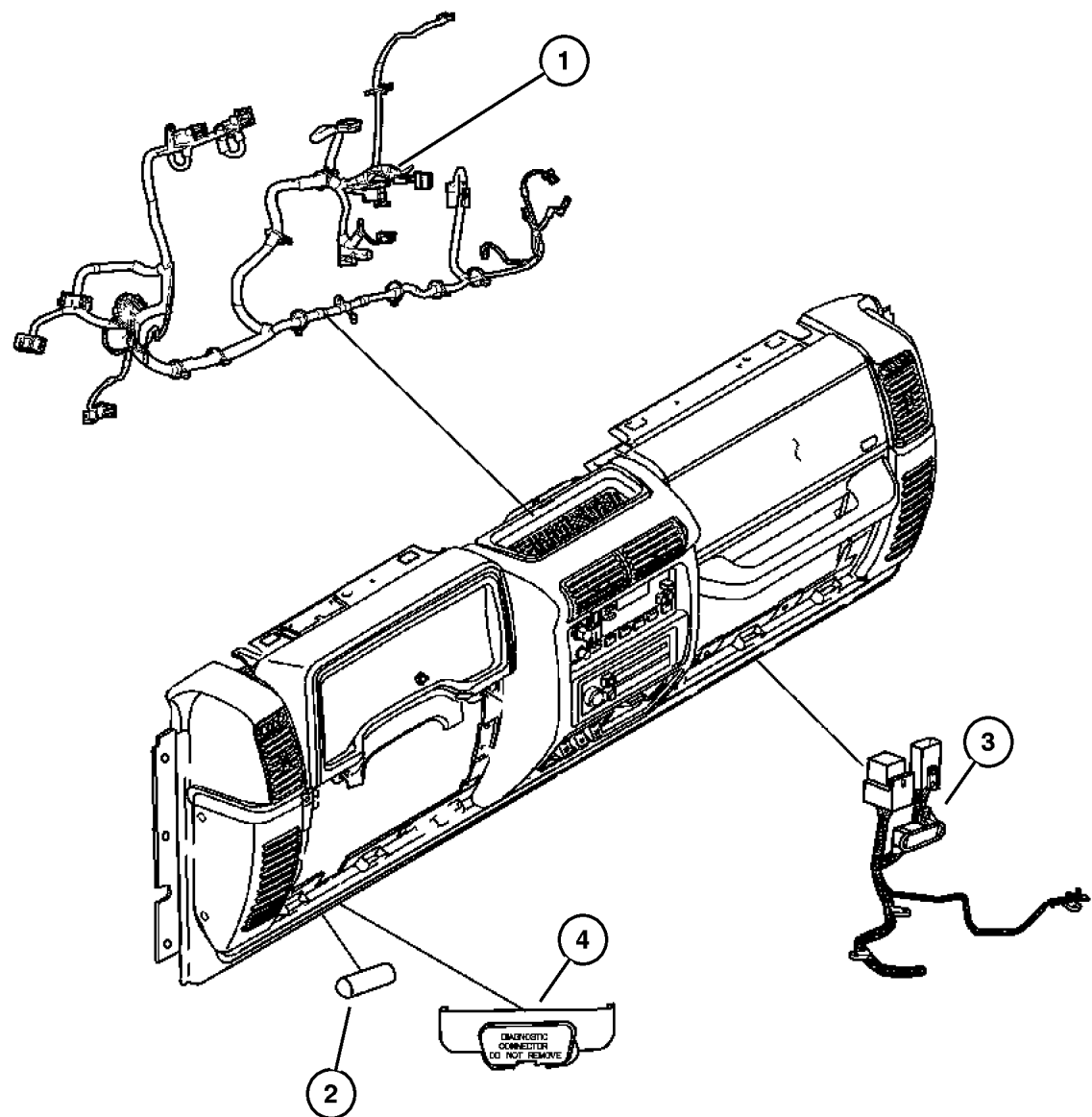
| SERIES      | LINE                   | BODY         | ENGINE                | TRANSMISSION                 |
|-------------|------------------------|--------------|-----------------------|------------------------------|
| H = Sport   | J = Wrangler 4WD       | 77 = 93.4 WB | ED1, ED0 = 2.4L DOHC  | DGG, DGD = 32RH 3 Spd. Auto. |
| L = SE      | U = Wrangler 4WD (RHD) |              | ERH = 4.0L Power Tech | DDD = 5 Speed HD Manual      |
| M = X       |                        |              |                       | DG0 = Auto. Trans.           |
| P = Sahara  |                        |              |                       | DBB = Manual Trans.          |
| S = Rubicon |                        |              |                       | DDK = 5 Speed Manual         |

AR = Use as required - = Non illustrated part # = New this model year

August 27, 2004



## Wiring Instrument Panel & Fuses Figure 008-1405



| ITEM                              | PART NUMBER | QTY | LINE | SERIES | BODY   | ENGINE | TRANS | TRIM | DESCRIPTION   |
|-----------------------------------|-------------|-----|------|--------|--------|--------|-------|------|---|
| Notes:                            |             |     |      |        |        |        |       |      |   |
| [DG0]=All Automatic Transmissions |             |     |      |        |        |        |       |      |   |
| 1                                 |             |     |      |        |        |        |       |      | WIRING, Instrument Panel                            |
|                                   | 56047 307AB | 1   | J    |        | 77, 78 |        |       |      | [VJ0,GNN]   |
|                                   | 56047 308AB | 1   | J    |        | 77, 78 |        |       |      | [VK0,GNN]   |
|                                   | 56047 309AB | 1   | J    |        | 77     |        |       |      | Base  |
|                                   | 56047 310AB | 1   | U    |        | 77     |        |       |      | Base  |
|                                   | 56047 311AB | 1   |      |        | 77, 78 |        |       |      | [VJ0,DSE]   |
|                                   |             | 1   | J    |        | 77, 78 |        |       |      | [VJ0,DSE]   |
|                                   | 56047 312AB | 1   |      |        | 77, 78 |        |       |      | [VK0,DSE]   |
|                                   |             | 1   | J    |        | 77, 78 |        |       |      | [VK0,DSE]   |
|                                   | 56050 427AB | 1   | U    |        | 77     |        |       |      | [AHF]   |
|                                   | 56051 633AA | 1   | J    |        | 77, 78 |        |       |      | [VK0]   |
|                                   | 56051 634AA | 1   |      |        | 77, 78 |        |       |      | [VJ0]   |
|                                   |             | 1   | J    |        | 77, 78 |        |       |      | [VJ0]   |
|                                   | 56051 636AA | 1   | J    |        | 77, 78 |        |       |      | [VK0,GNN]   |
|                                   | 56051 638AA | 1   |      |        | 77, 78 |        |       |      | [VJ0,GNN]   |
|                                   |             | 1   | J    |        | 77, 78 |        |       |      | [VJ0,GNN]   |
|                                   | 56051 639AA | 1   | J    |        | 77, 78 |        |       |      | [VK0]   |
|                                   | 56051 640AA | 1   |      |        | 77, 78 |        |       |      | [VJ0]   |
|                                   |             | 1   | J    |        | 77, 78 |        |       |      | [VJ0]   |
| 2                                 | 5600 9433   | 2   |      |        |        |        |       |      | CAP, Screw Cover, Diagnostic connector              |
| 3                                 |             |     |      |        |        |        |       |      | WIRING, Air Conditioning Module                     |
|                                   | 4874 085    | 1   | U    |        | 77     |        |       |      | [HC0]   |
|                                   | 5013 744AA  | 1   | U    |        | 77     |        |       |      | [HA0]   |
|                                   | 5073 183AA  | 1   | J    |        |        |        |       |      |   |
| 4                                 | 56009 654AB | 1   |      |        |        |        |       |      | COVER, Wiring Protector, Diagnostic connector cover |

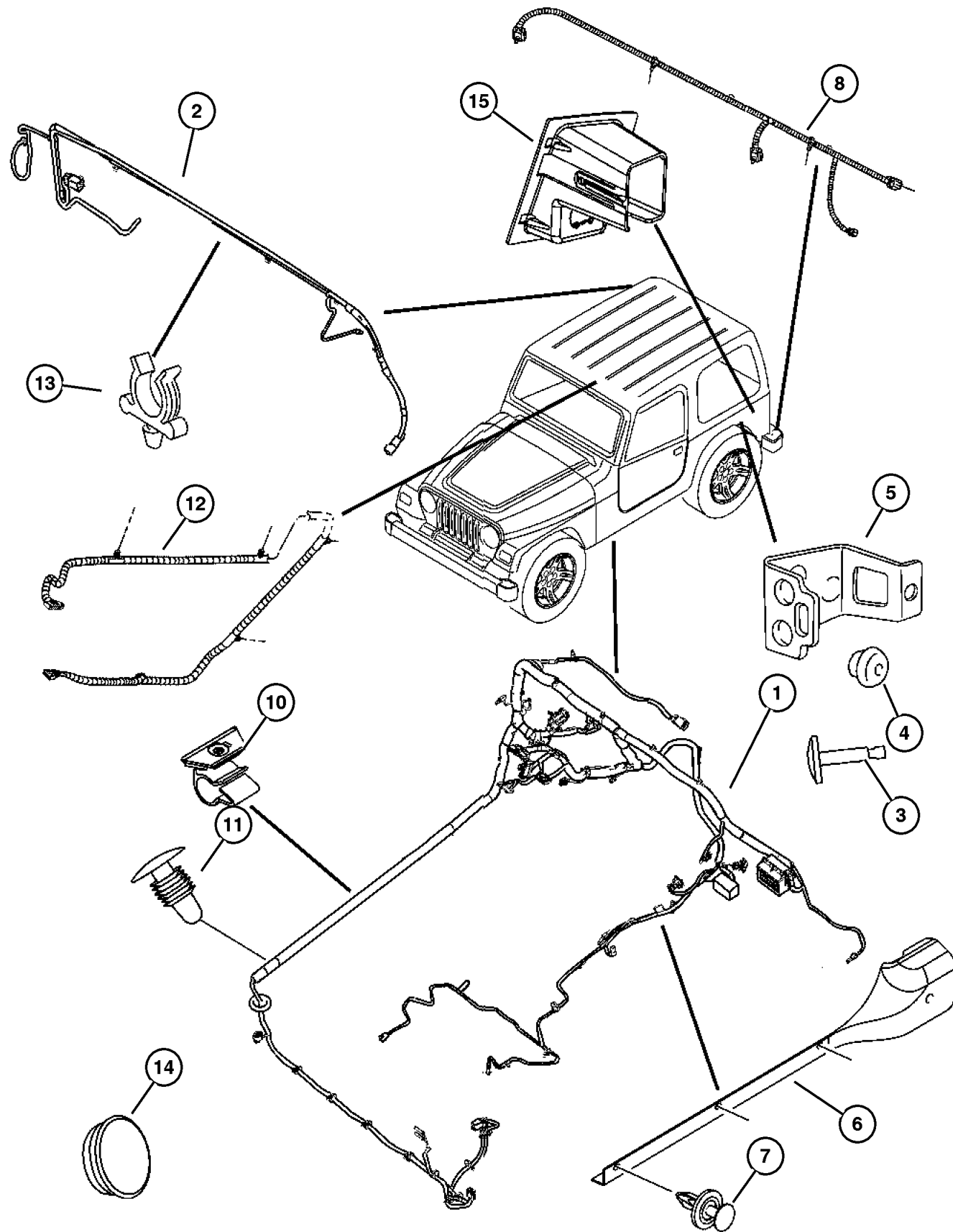
**JEEP WRANGLER (TJ)**

|             |                        |              |                       |                              |
|-------------|------------------------|--------------|-----------------------|------------------------------|
| SERIES      | LINE                   | BODY         | ENGINE                | TRANSMISSION                 |
| H = Sport   | J = Wrangler 4WD       | 77 = 93.4 WB | ED1, ED0 = 2.4L DOHC  | DGG, DGD = 32RH 3 Spd. Auto. |
| L = SE      | U = Wrangler 4WD (RHD) |              | ERH = 4.0L Power Tech | DDD = 5 Speed HD Manual      |
| M = X       |                        |              |                       | DG0 = Auto. Trans.           |
| P = Sahara  |                        |              |                       | DBB = Manual Trans.          |
| S = Rubicon |                        |              |                       | DDK = 5 Speed Manual         |

AR = Use as required - = Non illustrated part # = New this model year

August 27, 2004

**Wiring--Body & Accessory**  
**Figure 008-1505**



| ITEM | PART NUMBER | QTY | LINE | SERIES | BODY | ENGINE | TRANS | TRIM | DESCRIPTION   |
|------|-------------|-----|------|--------|------|--------|-------|------|---|
| 1    |             |     |      |        |      |        |       |      | WIRING, Body  |
|      | 56047 261AC | 1   | J    |        | 77   |        |       |      | [VJ0,BGK]   |
|      | 56047 262AC | 1   | J    |        | 77   |        |       |      | [VJ0,RCU,BGK]   |
|      | 56047 263AC | 1   | J    |        | 77   |        |       |      | [VK0,BGK]   |
|      | 56047 264AC | 1   | J    |        | 77   |        |       |      | [VK0,BGK.RCU]   |
|      | 56047 265AC | 1   | J    |        | 77   |        |       |      | [VJ0], Export   |
|      | 56047 266AC | 1   | J    |        | 77   |        |       |      | [VJ0,RCU], Export   |
|      | 56047 267AC | 1   | J    |        | 77   |        |       |      | [VK0], Export   |
|      | 56047 268AC | 1   | J    |        | 77   |        |       |      | [VK0,RCU], Export   |
|      | 56047 269AC | 1   | U    |        | 77   |        |       |      | [VJ0], Export   |
|      | 56047 270AC | 1   | U    |        | 77   |        |       |      | [VJ0,RCU], Export   |
|      | 56047 271AC | 1   | U    |        | 77   |        |       |      | [VK0], Export   |
|      | 56047 272AC | 1   | U    |        | 77   |        |       |      | [VK0,RCU], Export   |
|      | 56050 625AB | 1   | U    |        | 77   |        |       |      | [AHF]   |
|      | 56050 731AB | 1   | J    |        | 77   |        |       |      | [VK0,RCU]   |
|      | 56050 732AB | 1   | J    |        | 77   |        |       |      | [VK0]   |
|      | 56050 733AB | 1   | J    |        | 77   |        |       |      | [VJ0,RCU]   |
|      | 56050 734AB | 1   | J    |        | 77   |        |       |      | [VJ0]   |
|      | 56052 326AC | 1   | J    |        | 78   |        |       |      | [VK0]   |
|      | 56052 327AC | 1   | J    |        | 78   |        |       |      | [VK0,RCU]   |
|      | 56052 337AC | 1   | J    |        | 78   |        |       |      | [VJ0]   |
|      | 56052 338AC | 1   | J    |        | 78   |        |       |      | [VJ0,RCU]   |
| 2    |             |     |      |        |      |        |       |      | WIRING, Hardtop   |
|      | 56009 377AD | 1   | J    |        | 78   |        |       |      |   |
|      | 56009 377AE | 1   |      |        | 77   |        |       |      |   |
| 3    | 4362 012    | 4   |      |        |      |        |       |      | TERMINAL, CHMSL Contact Button                                      |
| 4    | 6036 521AA  | 2   |      |        |      |        |       |      | GROMMET, Sliding Door   |
| 5    | 5600 9056   | 1   |      |        |      |        |       |      | CLAMP, Contact Button   |
| 6    | 55352 706AA | 1   |      |        |      |        |       |      | COVER, Wiring Protector, Left sill                                  |
| 7    | 6502 871    | 3   |      |        |      |        |       |      | RETAINER, Wiring protector covering attaching                       |
| 8    | 56009 085AB | 1   |      |        |      |        |       |      | WIRING, Rear Bumper   |
| -9   | 0154 628    | 1   |      |        |      |        |       |      | SCREW, Tapping, .164-18x.625, Rear Body Harness Attaching           |
| 10   | 56009 333AB | 3   |      |        |      |        |       |      | CLIP, Wire Attaching (Clip)   |
| 11   | 56009 338AB | 3   |      |        |      |        |       |      | RIVET   |
| 12   | 56047 087AC | 1   |      |        |      |        |       |      | WIRING, Mirror Jumper, Inside rear view with compass/tempature unit |
| 13   | 6503 071    | 4   |      |        |      |        |       |      | CLIP, Line&Hose, Rear Wiper Harness                                 |
| 14   | 6505 192AA  | 2   |      |        |      |        |       |      | PLUG, Wire Harness Holes at Rear Bumper                             |

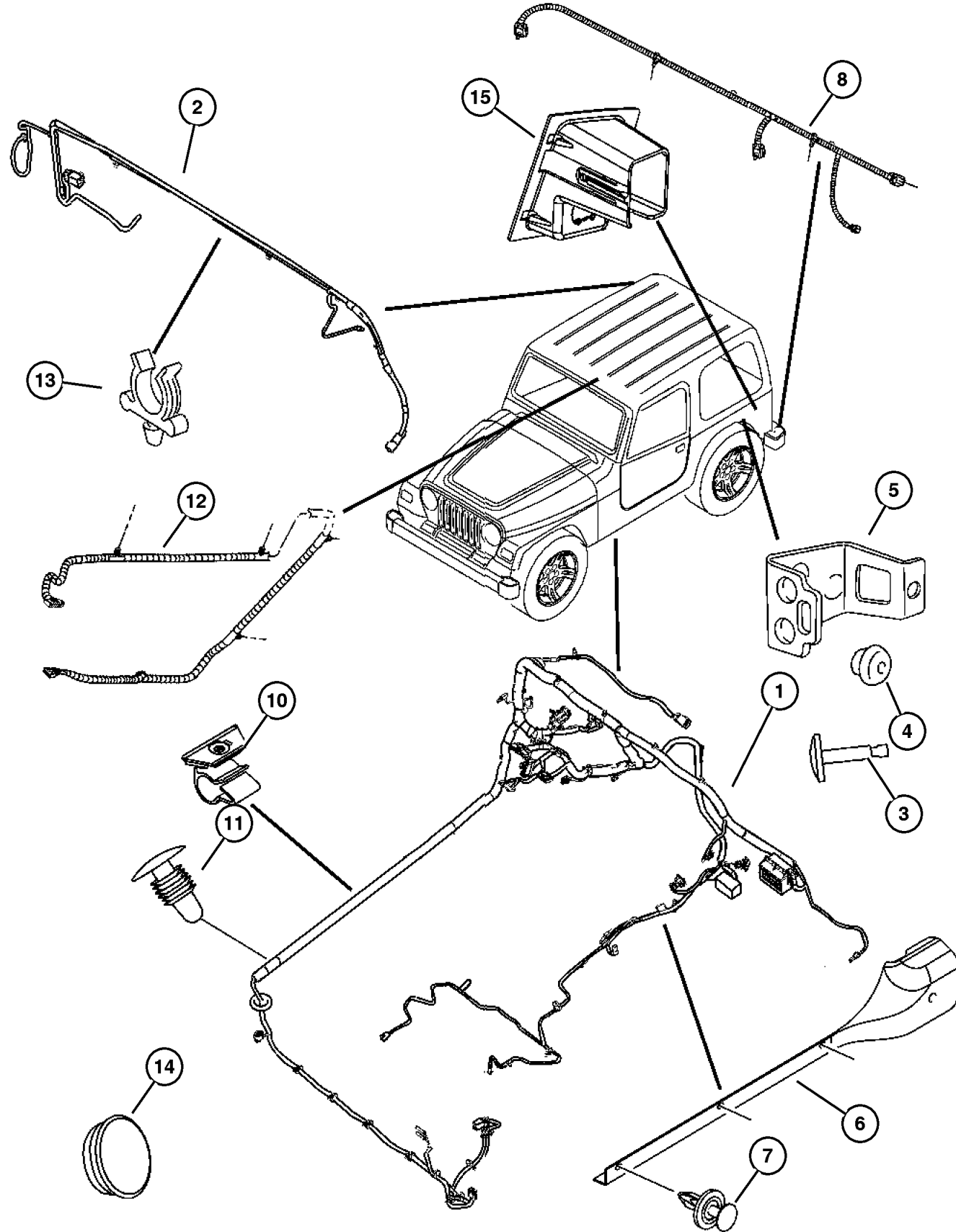
**JEEP WRANGLER (TJ)**

|             |                        |              |                       |                              |
|-------------|------------------------|--------------|-----------------------|------------------------------|
| SERIES      | LINE                   | BODY         | ENGINE                | TRANSMISSION                 |
| H = Sport   | J = Wrangler 4WD       | 77 = 93.4 WB | ED1, ED0 = 2.4L DOHC  | DGG, DGD = 32RH 3 Spd. Auto. |
| L = SE      | U = Wrangler 4WD (RHD) |              | ERH = 4.0L Power Tech | DDD = 5 Speed HD Manual      |
| M = X       |                        |              |                       | DG0 = Auto. Trans.           |
| P = Sahara  |                        |              |                       | DBB = Manual Trans.          |
| S = Rubicon |                        |              |                       | DDK = 5 Speed Manual         |

AR = Use as required - = Non illustrated part # = New this model year

August 27, 2004

**Wiring--Body & Accessory**  
**Figure 008-1505**



| ITEM | PART NUMBER | QTY | LINE | SERIES | BODY | ENGINE | TRANS | TRIM | DESCRIPTION              |
|------|-------------|-----|------|--------|------|--------|-------|------|--------------------------|
| 15   |             |     |      |        |      |        |       |      | COVER, Wiring Protector  |
|      | 55395 146AA | 1   |      |        | 77   |        |       |      | Plate hard top connector |
|      |             | 1   | J    |        | 78   |        |       |      | Plate hard top connector |

**JEEP WRANGLER (TJ)**

|               |                        |              |                       |                              |
|---------------|------------------------|--------------|-----------------------|------------------------------|
| <b>SERIES</b> | <b>LINE</b>            | <b>BODY</b>  | <b>ENGINE</b>         | <b>TRANSMISSION</b>          |
| H = Sport     | J = Wrangler 4WD       | 77 = 93.4 WB | ED1, ED0 = 2.4L DOHC  | DGG, DGD = 32RH 3 Spd. Auto. |
| L = SE        | U = Wrangler 4WD (RHD) |              | ERH = 4.0L Power Tech | DDD = 5 Speed HD Manual      |
| M = X         |                        |              |                       | DG0 = Auto. Trans.           |
| P = Sahara    |                        |              |                       | DBB = Manual Trans.          |
| S = Rubicon   |                        |              |                       | DDK = 5 Speed Manual         |

AR = Use as required - = Non illustrated part # = New this model year

August 27, 2004

**Wiring Repair Packages  
Figure 008-1605**

| ITEM | PART NUMBER | QTY | LINE | SERIES | BODY | ENGINE | TRANS | TRIM | DESCRIPTION   |
|------|-------------|-----|------|--------|------|--------|-------|------|---|
| -1   |             |     |      |        |      |        |       |      | WIRING PACKAGE, Underhood<br>Connector Repair, For Electrical<br>Connector Repair Information visit<br>the World Wide Web at <a href="http://dto.vftis.com/mopar/disclaimer.asp">http://dto.vftis.com/mopar/disclaimer.asp</a> ,<br>(NOT SERVICED) (Not Serviced) |
| -2   | 5600 7554   | 2   |      |        |      |        |       |      | TERMINAL, Female, Licenses Lamp   |

For Electrical Connector Repair Information visit  
the World Wide Web at

<http://dto.vftis.com/mopar/disclaimer.asp>

**JEEP WRANGLER (TJ)**

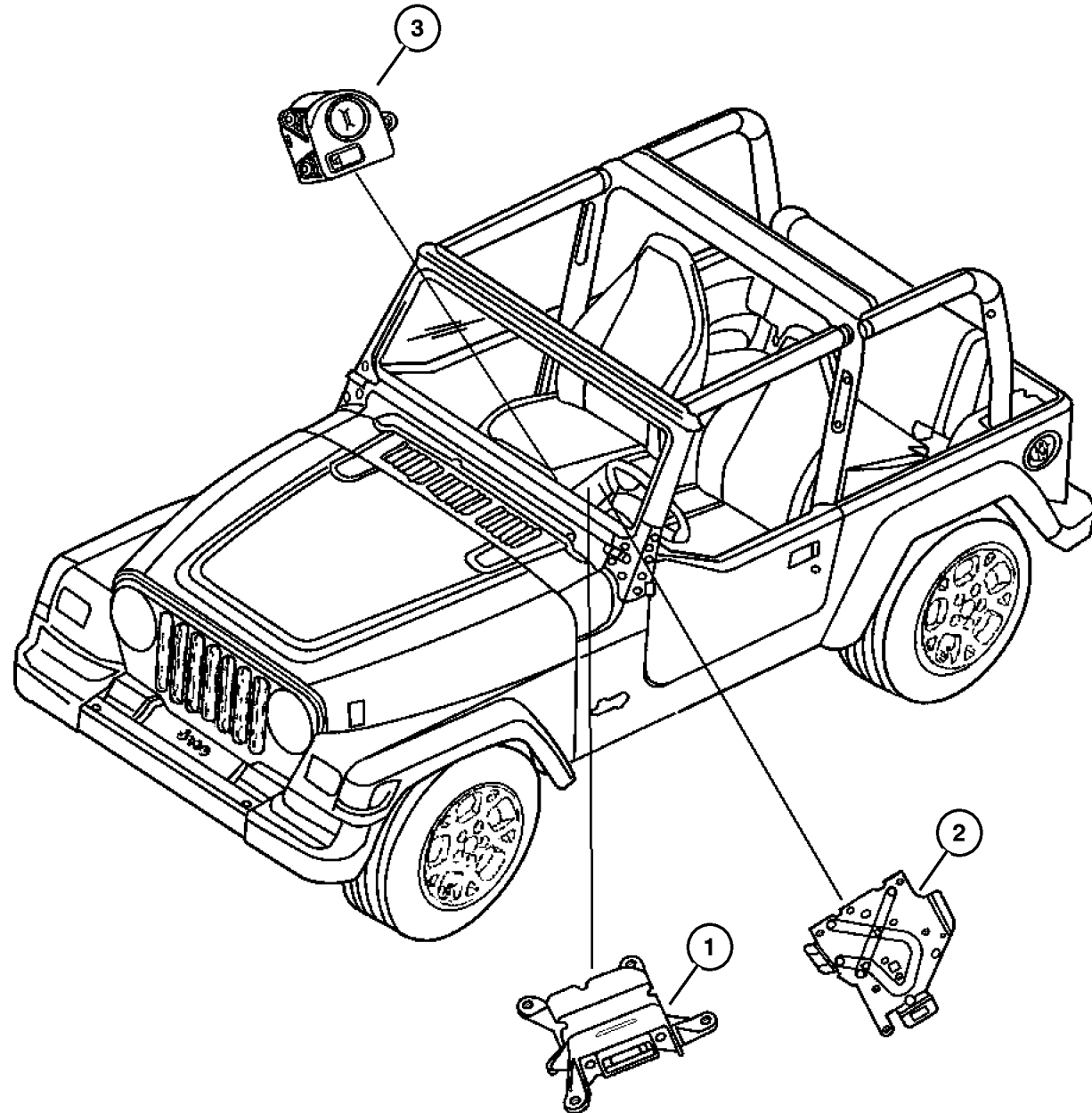
|             |                        |              |                       |                                 |
|-------------|------------------------|--------------|-----------------------|---------------------------------|
| SERIES      | LINE                   | BODY         | ENGINE                | TRANSMISSION                    |
| H = Sport   | J = Wrangler 4WD       | 77 = 93.4 WB | ED1, ED0 = 2.4L DOHC  | DGG, DGD = 32RH 3 Spd.<br>Auto. |
| L = SE      | U = Wrangler 4WD (RHD) |              | ERH = 4.0L Power Tech | DDD = 5 Speed HD Manual         |
| M = X       |                        |              |                       | DG0 = Auto. Trans.              |
| P = Sahara  |                        |              |                       | DBB = Manual Trans.             |
| S = Rubicon |                        |              |                       | DDK = 5 Speed Manual            |

AR = Use as required - = Non illustrated part # = New this model year

August 27, 2004

**Air Bag Modules and Sensors**  
**Figure 008-1705**

| ITEM | PART NUMBER | QTY | LINE | SERIES | BODY | ENGINE | TRANS | TRIM | DESCRIPTION  |
|------|-------------|-----|------|--------|------|--------|-------|------|--|
| 1    | 56010 533AA | 1   |      |        |      |        |       |      | MODULE, Air Bag Control                                  |
| 2    | 55177 252AB | 1   |      |        |      |        |       |      | BRACKET, Air Bag Control Module                          |
| 3    | 56010 301AB | 1   |      |        |      |        |       |      | SWITCH, Passenger Airbag Disarm,<br>Air Bag Deactivation |



**JEEP WRANGLER (TJ)**

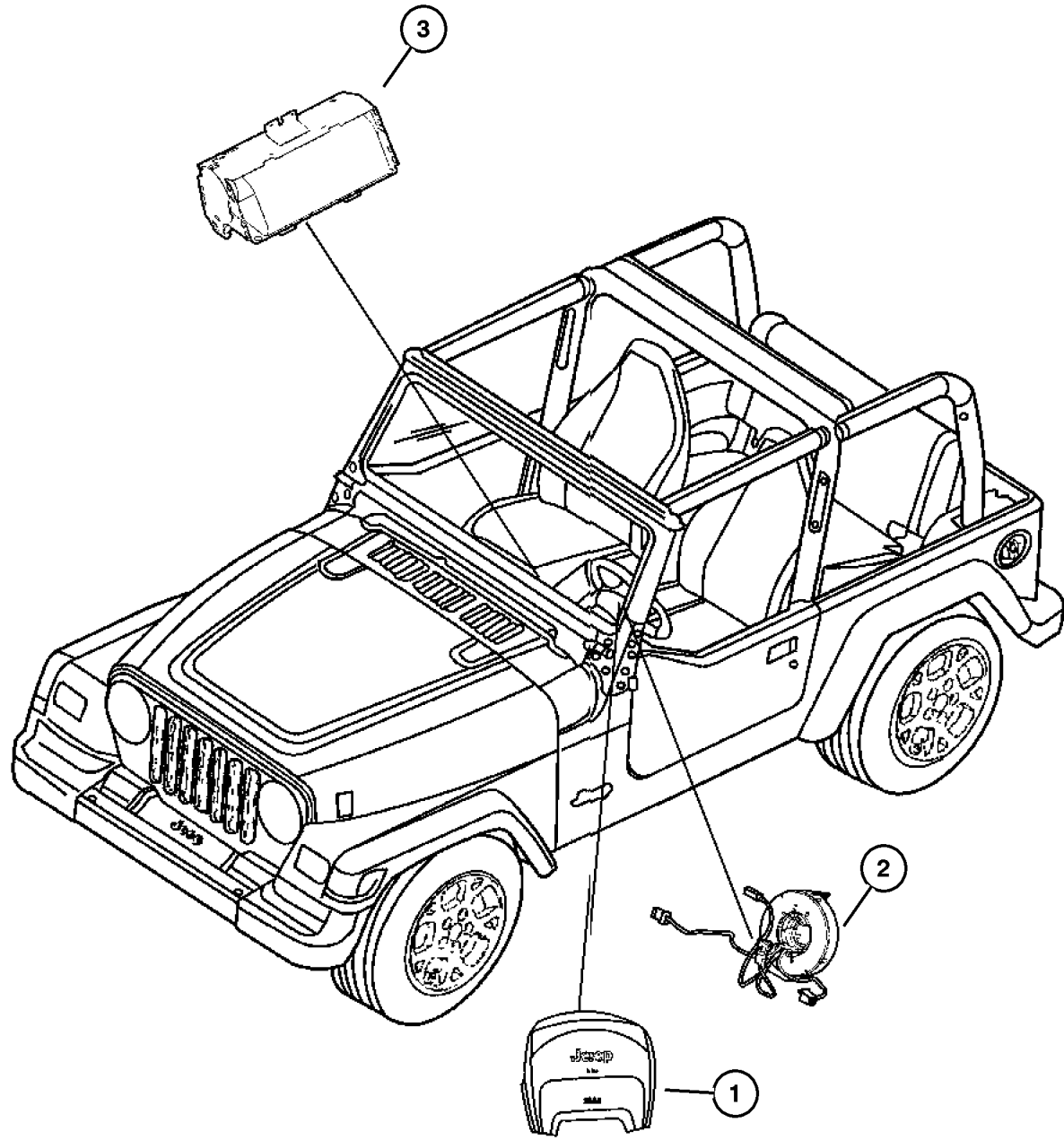
|             |                        |              |                       |                              |
|-------------|------------------------|--------------|-----------------------|------------------------------|
| SERIES      | LINE                   | BODY         | ENGINE                | TRANSMISSION                 |
| H = Sport   | J = Wrangler 4WD       | 77 = 93.4 WB | ED1, ED0 = 2.4L DOHC  | DGG, DGD = 32RH 3 Spd. Auto. |
| L = SE      | U = Wrangler 4WD (RHD) |              | ERH = 4.0L Power Tech | DDD = 5 Speed HD Manual      |
| M = X       |                        |              |                       | DG0 = Auto. Trans.           |
| P = Sahara  |                        |              |                       | DBB = Manual Trans.          |
| S = Rubicon |                        |              |                       | DDK = 5 Speed Manual         |

AR = Use as required - = Non illustrated part # = New this model year

August 27, 2004

**Air Bags and Clock Springs**  
**Figure 008-1710**

| ITEM | PART NUMBER | QTY | LINE | SERIES | BODY | ENGINE | TRANS | TRIM | DESCRIPTION        |
|------|-------------|-----|------|--------|------|--------|-------|------|--------------------|
| 1    | 5JG52 DX9AD | 1   |      |        |      |        |       |      | AIR BAG, Driver    |
| 2    | 56047 144AB | 1   |      |        |      |        |       |      | CLOCKSPRING        |
| 3    | 52029 314AB | 1   | U    |        | 77   |        |       |      | AIR BAG, Passenger |
|      |             | 1   | J    |        |      |        |       |      |                    |



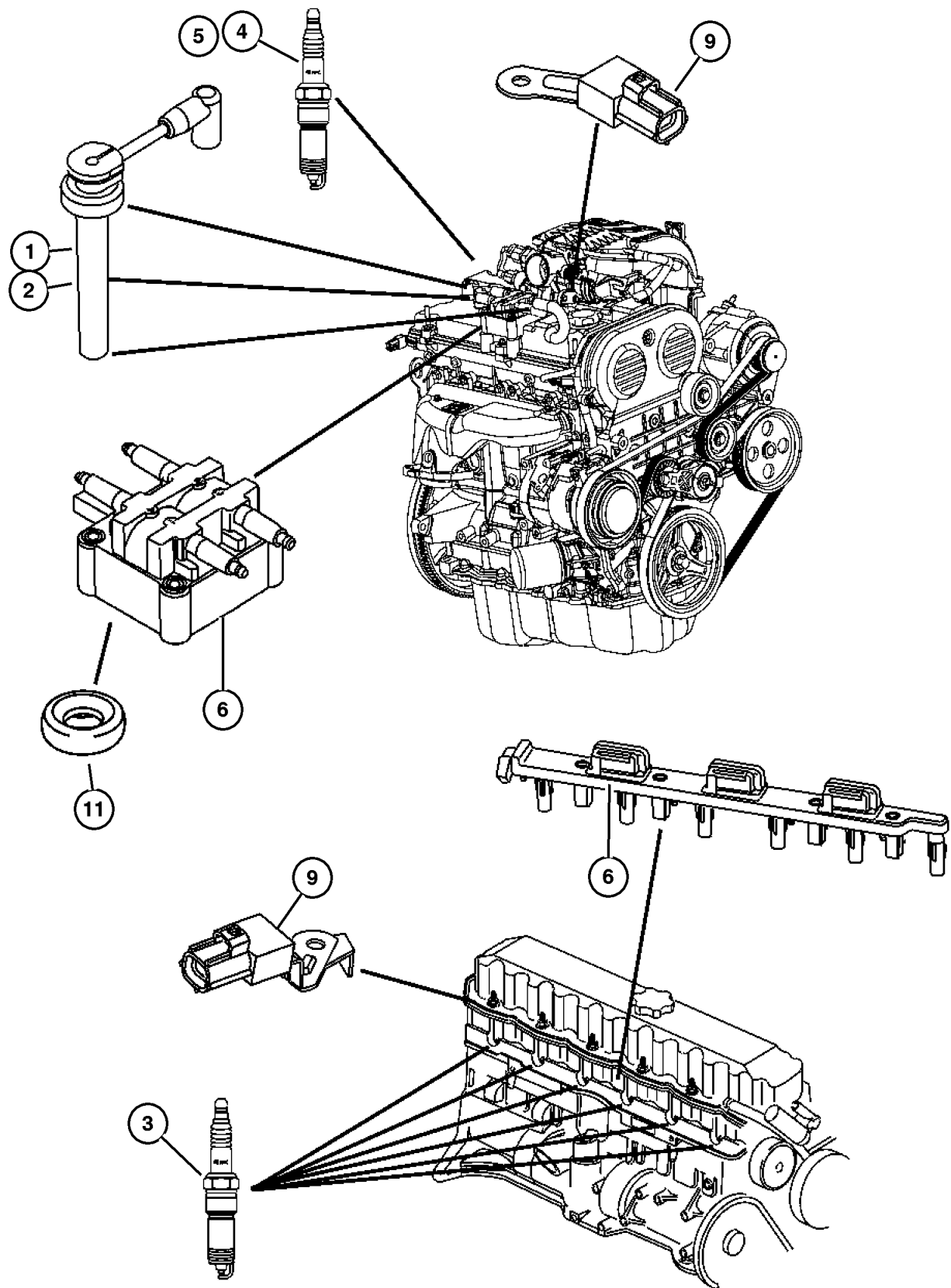
**JEEP WRANGLER (TJ)**

|             |                        |              |                       |                              |
|-------------|------------------------|--------------|-----------------------|------------------------------|
| SERIES      | LINE                   | BODY         | ENGINE                | TRANSMISSION                 |
| H = Sport   | J = Wrangler 4WD       | 77 = 93.4 WB | ED1, ED0 = 2.4L DOHC  | DGG, DGD = 32RH 3 Spd. Auto. |
| L = SE      | U = Wrangler 4WD (RHD) |              | ERH = 4.0L Power Tech | DDD = 5 Speed HD Manual      |
| M = X       |                        |              |                       | DG0 = Auto. Trans.           |
| P = Sahara  |                        |              |                       | DBB = Manual Trans.          |
| S = Rubicon |                        |              |                       | DDK = 5 Speed Manual         |

AR = Use as required - = Non illustrated part # = New this model year

August 27, 2004

## Spark Plugs--Cables--Coil Figure 008-1905



| ITEM | PART NUMBER | QTY | LINE | SERIES | BODY | ENGINE | TRANS | TRIM | DESCRIPTION                              |
|------|-------------|-----|------|--------|------|--------|-------|------|--|
| 1    | 56041 818AD | 2   |      |        |      | ED0    |       |      | CABLE, Ignition                          |
|      | 56044 075AD | 2   |      |        |      | ED0    |       |      | [#2,3]                                   |
|      | 56044 075AD | 2   |      |        |      | ED0    |       |      | [#1,4]                                   |
| 2    | 5102 091AB  | 2   |      |        |      | ED0    |       |      | CABLE PACKAGE, Ignition                  |
| 3    | SP00 0ZFR5N | 6   |      |        |      | ER0    |       |      | SPARK PLUG                               |
| 4    | SPLZ TR4A11 | 4   |      |        |      | ED0    |       |      | SPARK PLUG, LZTR4A-11                    |
| 5    | SP00R E16MC | 4   |      |        |      | ED0    |       |      | SPARK PLUG, RE16MC                       |
| 6    | 56041 476AA | 1   |      |        |      | ER0    |       |      | COIL, Ignition                           |
|      | 4609 103AB  | 1   |      |        |      | ED0    |       |      |  |
| -7   | 6502 921    | 4   |      |        |      | ED0    |       |      | SCREW, Coil mounting                     |
| -8   | 6102 146AA  | 4   |      |        |      | ER0    |       |      | SCREW AND WASHER, Ignition Coil Mounting |
| 9    | 56041 889AA | 1   |      |        |      | ER0    |       |      | CAPACITOR, Ignition                      |
|      | 56041 396AA | 1   |      |        |      | ED0    |       |      |  |
| -10  |             |     |      |        |      |        |       |      | NUT, (NOT SERVICED) (Not Serviced)       |
| 11   | 4693 243AA  | 4   |      |        |      | ED0    |       |      | ISOLATOR                                 |
| -12  |             |     |      |        |      |        |       |      | STUD, (NOT SERVICED) (Not Serviced)      |

### JEEP WRANGLER (TJ)

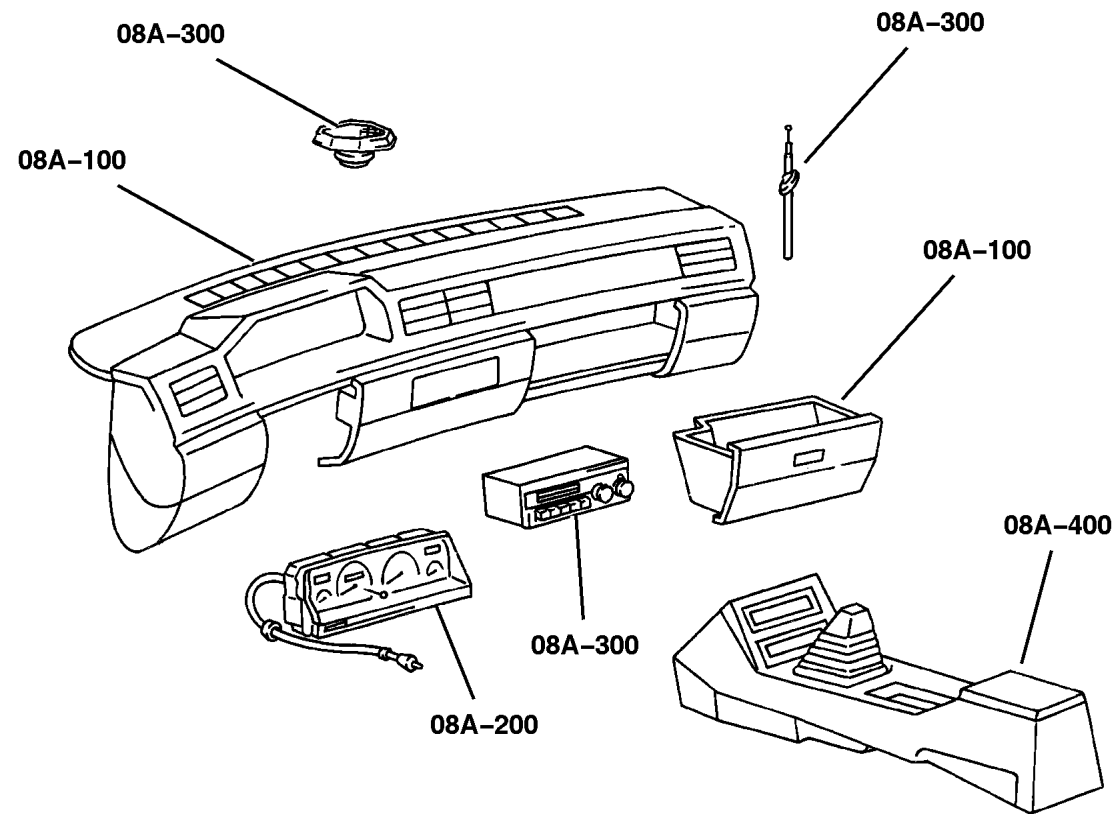
|             |                        |              |                       |                              |
|-------------|------------------------|--------------|-----------------------|------------------------------|
| SERIES      | LINE                   | BODY         | ENGINE                | TRANSMISSION                 |
| H = Sport   | J = Wrangler 4WD       | 77 = 93.4 WB | ED1, ED0 = 2.4L DOHC  | DGG, DGD = 32RH 3 Spd. Auto. |
| L = SE      | U = Wrangler 4WD (RHD) |              | ERH = 4.0L Power Tech | DDD = 5 Speed HD Manual      |
| M = X       |                        |              |                       | DG0 = Auto. Trans.           |
| P = Sahara  |                        |              |                       | DBB = Manual Trans.          |
| S = Rubicon |                        |              |                       | DDK = 5 Speed Manual         |

AR = Use as required - = Non illustrated part # = New this model year

August 27, 2004

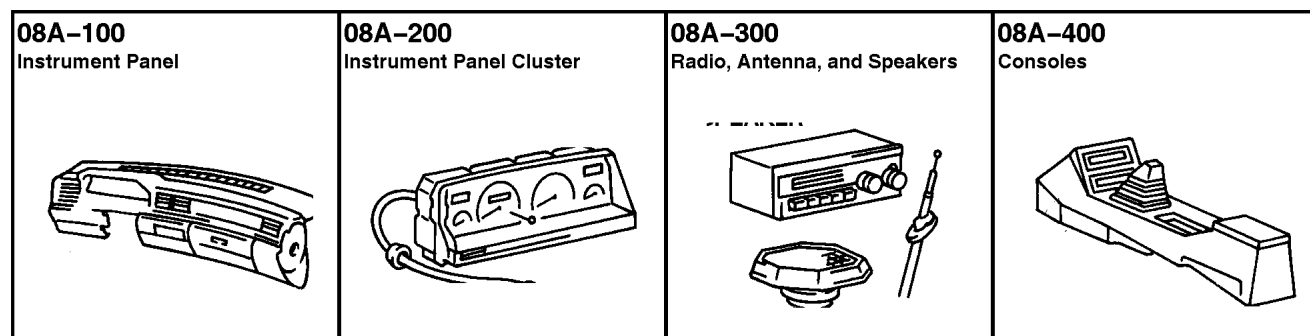
# Group – 08A

## Instrument Panel and Radios and Consoles



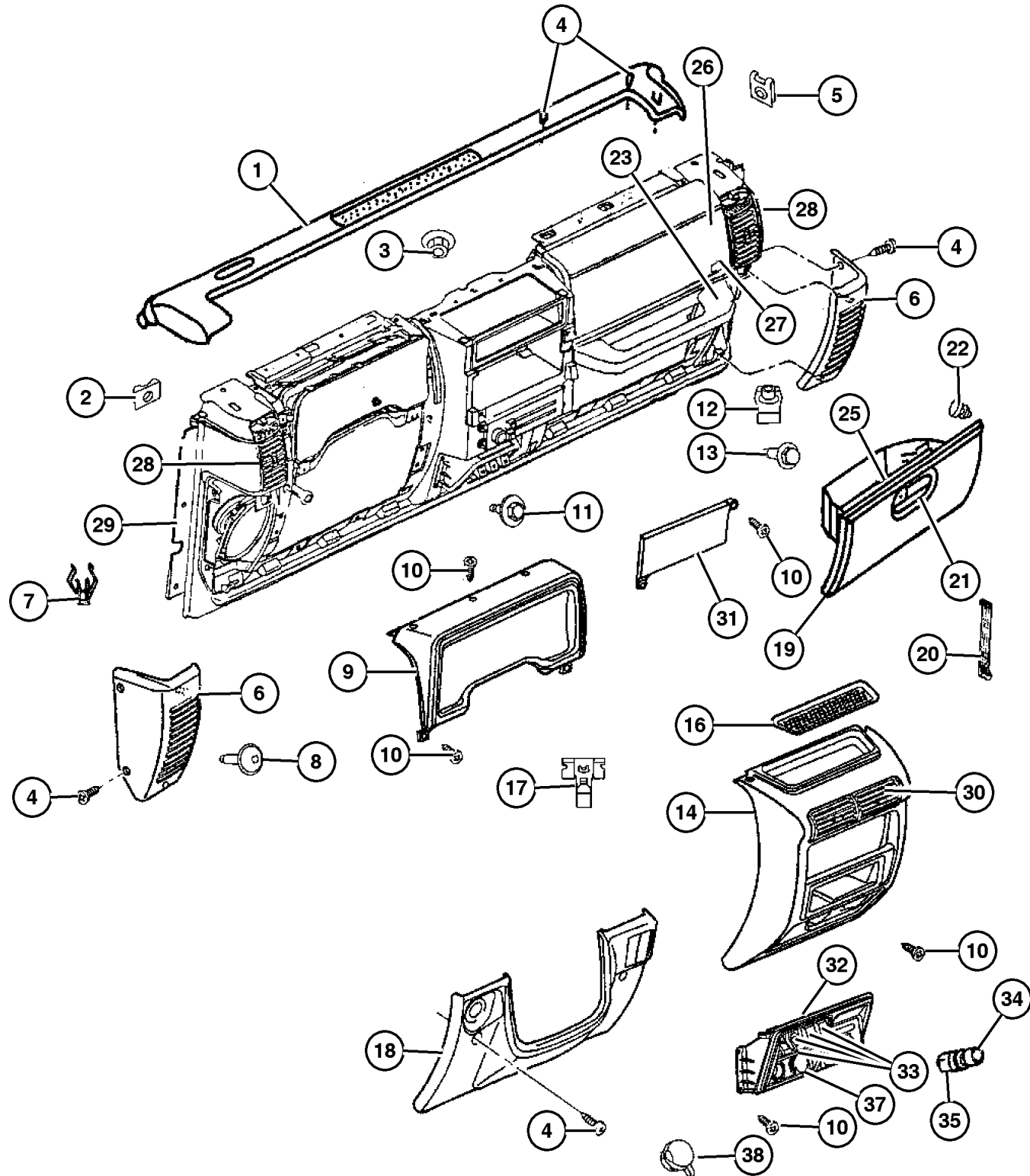
## GROUP 8A - Instrument Panel and Radios and Consoles

| Illustration Title                  | Group-Fig. No. |
|-------------------------------------|----------------|
| <b>Instrument Panel</b>             |                |
| Instrument Panel .....              | Fig. 08A-110   |
| <b>Instrument Panel Cluster</b>     |                |
| Instrument Cluster .....            | Fig. 08A-210   |
| <b>Radio, Antenna, and Speakers</b> |                |
| Radio .....                         | Fig. 08A-310   |
| Antenna .....                       | Fig. 08A-320   |
| Speakers .....                      | Fig. 08A-330   |
| <b>Consoles</b>                     |                |
| Consoles Full and Mini .....        | Fig. 08A-410   |





**Instrument Panel  
Figure 08A-110**



| ITEM                                | PART NUMBER | QTY | LINE | SERIES | BODY | ENGINE | TRANS | TRIM | DESCRIPTION  |
|-------------------------------------|-------------|-----|------|--------|------|--------|-------|------|--|
| NOTES:                              |             |     |      |        |      |        |       |      |  |
| [DBB] = All Manual Transmissions    |             |     |      |        |      |        |       |      |  |
| [DG0] = All Automatic Transmissions |             |     |      |        |      |        |       |      |  |
| 1                                   | 5EU50 XDVAF | 1   |      |        |      |        |       |      | COVER, Instrument Panel [DV]   |
|                                     | 5EU50 ZJ3AF | 1   |      |        |      |        |       |      | [J3]   |
| 2                                   | 6506 081AA  | 6   |      |        |      |        |       |      | NUT, U, M6x1.00 Multi-UNut   |
| 3                                   | 3420 1416   | 2   |      |        |      |        |       |      | NUT, Hex Flange, M8x1.25   |
| 4                                   | 6035 369    | 4   |      |        |      |        |       |      | SCREW, Piercing, .164-15x1.25, Speaker Bezel to Instrument Panel               |
| 5                                   |             |     |      |        |      |        |       |      | NUT/SPRING, "U"1THD, For .164-15 Screw   |
|                                     | 6035 638    | 6   | J    |        |      |        |       |      | Duct to Instrument Panel   |
|                                     |             | 6   | U    |        | 77   |        |       |      | Duct to Instrument Panel   |
| 6                                   |             |     |      |        |      |        |       |      | BEZEL, Speaker [DV], Right   |
|                                     | 5DP1 6XDV   | 1   |      |        |      |        |       |      | [J3], Right  |
|                                     | 5DP1 6ZJ3   | 1   |      |        |      |        |       |      | [DV], Left   |
|                                     | 5DP1 7XDV   | 1   |      |        |      |        |       |      | [J3], Left   |
|                                     | 5DP1 7ZJ3   | 1   |      |        |      |        |       |      |  |
| 7                                   | 6503 175    | 5   |      |        |      |        |       |      | CLIP, Quarter Panel, I/Panel, M8. 20x17.00                                     |
| 8                                   | 6507 008AA  | 6   |      |        |      |        |       |      | SCREW AND WASHER, Truss Head, M6x1x30, M6x1.00x30.00, Instrument Panel To Cowl |
| 9                                   | 5GW62 DX9AB | 1   |      |        |      |        |       |      | BEZEL, Instrument Cluster  |
| 10                                  |             |     |      |        |      |        |       |      | SCREW  |
|                                     | 6034 949    | 5   |      |        |      |        |       |      | Cluster Bezel To I/P   |
|                                     |             | 3   |      |        |      |        |       |      | Center Bezel To I/P  |
| 11                                  | 6101 945    | 4   |      |        |      |        |       |      | SCREW, M4.2x1.70x15.00   |
| 12                                  | 6101 308    | 2   | J    |        |      |        |       |      | NUT, U, M6x1, Bracket to Instrument Panel, Passenger Air Bag Door              |
| 13                                  |             |     |      |        |      |        |       |      | SCREW AND WASHER, Hex Head, M6x1x20  |
|                                     | 6101 455    | 2   | J    |        |      |        |       |      |  |
|                                     |             | 2   | U    |        | 77   |        |       |      |  |
| 14                                  | 5HG72 DX9AA | 1   |      |        |      |        |       |      | BEZEL, Instrument Panel, Center  |
| -15                                 | 4731 028    | 3   |      |        |      |        |       |      | BUMPER, Center Bezel   |
| 16                                  | 5511 5652   | 1   |      |        |      |        |       |      | MAT, Console Cup Holder, Center Tray Rubber Insert                             |
| 17                                  | 4524 342    | 2   |      |        |      |        |       |      | CLIP, Speaker  |
| 18                                  |             |     |      |        |      |        |       |      | COVER, Instrument Panel, Steering Column Opening                               |

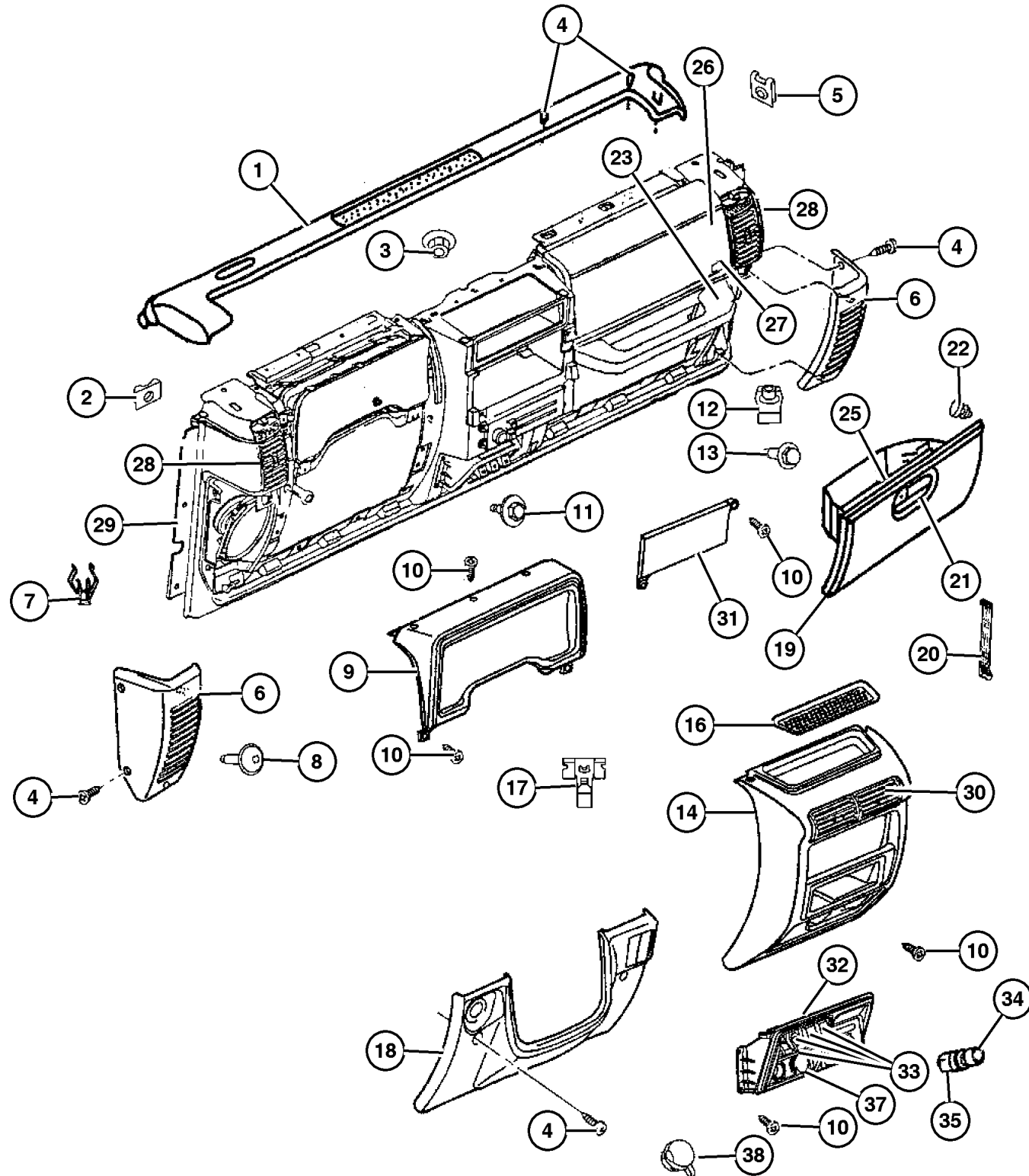
**JEEP WRANGLER (TJ)**

|             |                        |              |                       |                              |
|-------------|------------------------|--------------|-----------------------|------------------------------|
| SERIES      | LINE                   | BODY         | ENGINE                | TRANSMISSION                 |
| H = Sport   | J = Wrangler 4WD       | 77 = 93.4 WB | ED1, ED0 = 2.4L DOHC  | DGG, DGD = 32RH 3 Spd. Auto. |
| L = SE      | U = Wrangler 4WD (RHD) |              | ERH = 4.0L Power Tech | DDD = 5 Speed HD Manual      |
| M = X       |                        |              |                       | DG0 = Auto. Trans.           |
| P = Sahara  |                        |              |                       | DBB = Manual Trans.          |
| S = Rubicon |                        |              |                       | DDK = 5 Speed Manual         |

AR = Use as required - = Non illustrated part # = New this model year

August 27, 2004

**Instrument Panel  
Figure 08A-110**



| ITEM | PART NUMBER | QTY | LINE | SERIES | BODY | ENGINE | TRANS | TRIM | DESCRIPTION                       |
|------|-------------|-----|------|--------|------|--------|-------|------|-----------------------------------|
|      | UA83 XDVAA  | 1   |      |        |      |        |       |      | [DV] With Headlamp Leveling       |
|      | UA83 ZJ3AA  | 1   |      |        |      |        |       |      | [J3] With Headlamp Leveling       |
|      | 5GV99 XDVAA | 1   |      |        |      |        |       |      | [DV] Without Headlamp Leveling    |
|      | 5GV99 ZJ3AA | 1   |      |        |      |        |       |      | [J3] Without Headlamp Leveling    |
| 19   |             |     |      |        |      |        |       |      | GLOVE BOX, Instrument Panel       |
|      | 5DP56 XDVAD | 1   |      |        |      |        |       |      | [DV]                              |
|      | 5DP56 ZJ3AD | 1   |      |        |      |        |       |      | [J3]                              |
| 20   |             |     |      |        |      |        |       |      | STRAP, Glove Box Door Stop        |
|      | 5503 7355   | 1   | U    |        | 77   |        |       |      |                                   |
|      |             | 1   | J    |        |      |        |       |      |                                   |
| 21   |             |     |      |        |      |        |       |      | LATCH, Glovebox                   |
|      | 5EM2 8XDV   | 1   |      |        |      |        |       |      | [DV]                              |
|      | 5EM2 8ZJ3   | 1   |      |        |      |        |       |      | [J3]                              |
| 22   | 5503 7225   | 2   |      |        |      |        |       |      | BUMPER, Glove Box Door            |
| 23   |             |     |      |        |      |        |       |      | HANDLE, Grab, I/Panel             |
|      | 5DP5 2XDV   | 1   | U    |        | 77   |        |       |      | [DV]                              |
|      |             | 1   | J    |        |      |        |       |      | [DV]                              |
|      | 5DP5 2ZJ3   | 1   | U    |        | 77   |        |       |      | [J3]                              |
|      |             | 1   | J    |        |      |        |       |      | [J3]                              |
| -24  |             |     |      |        |      |        |       |      | HANDLE, Grab, Bezel Only          |
|      | 5EE1 1XDV   | 1   | U    |        | 77   |        |       |      | [DV]                              |
|      |             | 1   | J    |        |      |        |       |      | [DV]                              |
|      | 5EE1 1ZJ3   | 1   | U    |        | 77   |        |       |      | [J3]                              |
|      |             | 1   | J    |        |      |        |       |      | [J3]                              |
| 25   |             |     |      |        |      |        |       |      | STRIKER, Glove Box Door Latch     |
|      | 5511 5170   | 1   | U    |        | 77   |        |       |      |                                   |
|      |             | 1   | J    |        |      |        |       |      |                                   |
| 26   |             |     |      |        |      |        |       |      | AIR BAG, Passenger                |
|      | 52029 314AA | 1   | J    |        |      |        |       |      |                                   |
|      |             | 1   | U    |        | 77   |        |       |      |                                   |
| 27   |             |     |      |        |      |        |       |      | DOOR, Passenger Air Bag           |
|      | 5DU38 XDVAB | 1   | U    |        | 77   |        |       |      | [DV]                              |
|      |             | 1   | J    |        |      |        |       |      | [DV]                              |
|      | 5DU38 ZJ3AB | 1   | U    |        | 77   |        |       |      | [J3]                              |
|      |             | 1   | J    |        |      |        |       |      | [J3]                              |
| 28   |             |     |      |        |      |        |       |      | OUTLET, Air Conditioning & Heater |
|      | 5DP5 4XDV   | 1   | U    |        | 77   |        |       |      | [DV], Right                       |
|      |             | 1   | J    |        |      |        |       |      | [DV], Right                       |
|      | 5DP5 4ZJ3   | 1   | U    |        | 77   |        |       |      | [J3], Right                       |
|      |             | 1   | J    |        |      |        |       |      | [J3], Right                       |
|      | 5DP5 5XDV   | 1   | U    |        | 77   |        |       |      | [DV], Left                        |

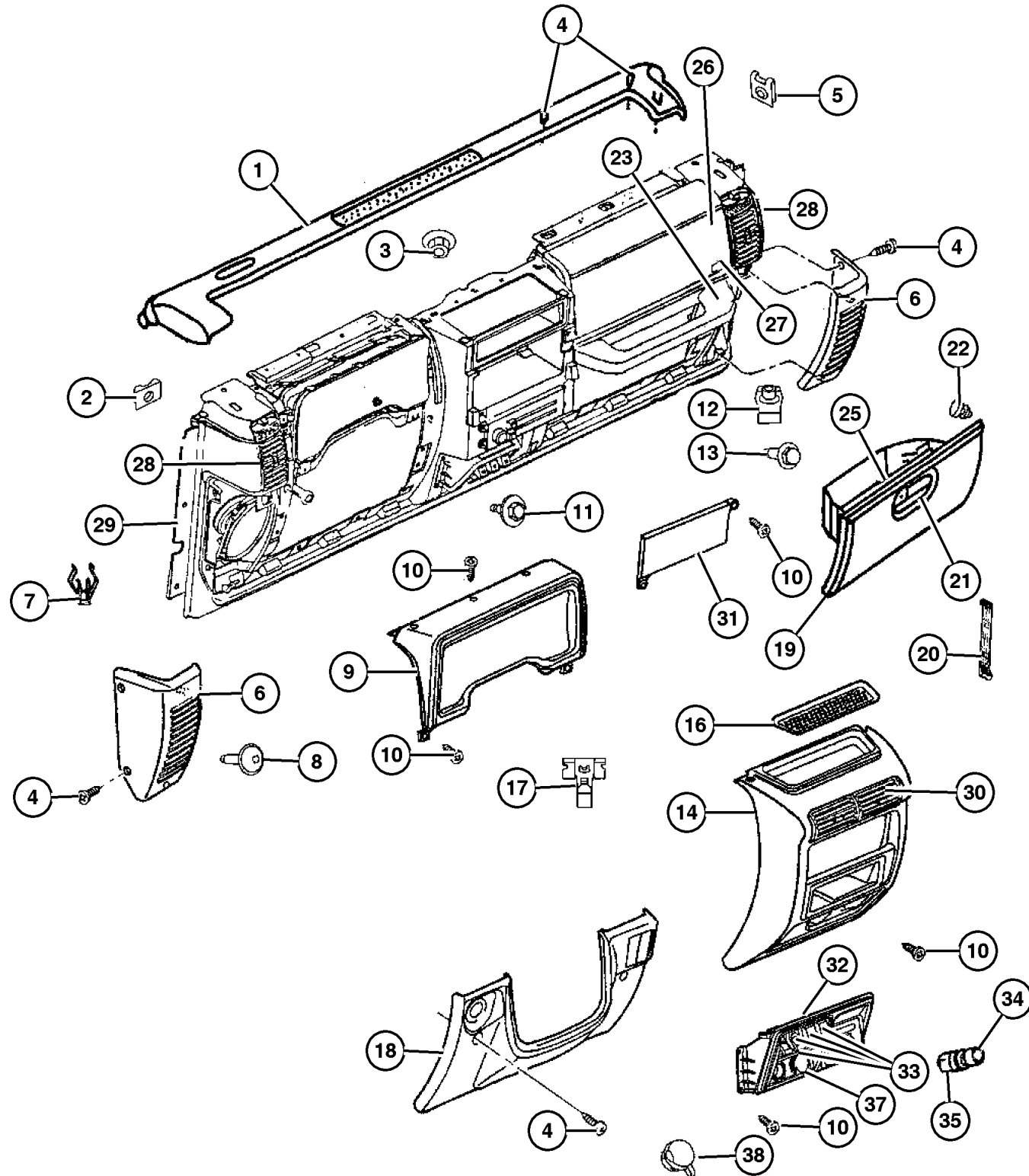
**JEEP WRANGLER (TJ)**

|             |                        |              |                       |                              |
|-------------|------------------------|--------------|-----------------------|------------------------------|
| SERIES      | LINE                   | BODY         | ENGINE                | TRANSMISSION                 |
| H = Sport   | J = Wrangler 4WD       | 77 = 93.4 WB | ED1, ED0 = 2.4L DOHC  | DGG, DGD = 32RH 3 Spd. Auto. |
| L = SE      | U = Wrangler 4WD (RHD) |              | ERH = 4.0L Power Tech | DDD = 5 Speed HD Manual      |
| M = X       |                        |              |                       | DG0 = Auto. Trans.           |
| P = Sahara  |                        |              |                       | DBB = Manual Trans.          |
| S = Rubicon |                        |              |                       | DDK = 5 Speed Manual         |

AR = Use as required - = Non illustrated part # = New this model year

August 27, 2004

**Instrument Panel  
Figure 08A-110**



| ITEM | PART NUMBER | QTY | LINE | SERIES | BODY | ENGINE | TRANS | TRIM | DESCRIPTION   |
|------|-------------|-----|------|--------|------|--------|-------|------|---|
|      |             | 1   | J    |        |      |        |       |      | [DV], Left  |
|      | 5DP5 5ZJ3   | 1   | U    |        | 77   |        |       |      | [J3], Left  |
| 29   |             | 1   | J    |        |      |        |       |      | [J3], Left  |
|      | 5HG71 XDVAB | 1   | U    |        | 77   |        |       |      | PANEL, Instrument   |
|      |             | 1   | J    |        |      |        |       |      | [DV]  |
|      | 5HG71 ZJ3AB | 1   | U    |        | 77   |        |       |      | [J3]  |
|      |             | 1   | J    |        |      |        |       |      | [J3]  |
| 30   | 5FS1 ODX9   | 2   |      |        |      |        |       |      | OUTLET, Air Conditioning & Heater, Center                       |
| 31   |             |     |      |        |      |        |       |      | COVER, Radio Opening, (NOT SERVICED) (Not Serviced)             |
| 32   |             |     |      |        |      |        |       |      | BEZEL, Cigar Lighter  |
|      | 56047 071AC | 1   |      |        |      |        |       |      | 4 Switch Plugs, Cigar and Power Outlet with Socket/Cap Included |
|      | 5101 964AA  | 1   |      |        |      |        |       |      | 4 Switch Plugs Not Included                                     |
|      |             | 1   |      |        |      |        |       |      | 4 Switch Plugs Not Included                                     |
| 33   |             |     |      |        |      |        |       |      | PLUG, Switch Opening  |
|      | 5600 7329   | 1   |      |        |      |        |       |      | Heated Rear Window  |
|      |             | 1   |      |        |      |        |       |      | Heated Rear Window  |
|      | 5600 7330   | 1   |      |        |      |        |       |      | Rear Washer and Wiper   |
|      |             | 1   |      |        |      |        |       |      | Rear Washer and Wiper   |
|      | 56047 065AA | 1   |      |        |      |        |       |      | Axle Lock   |
|      |             | 1   |      |        |      |        |       |      | Axle Lock   |
|      | 56007 285AB | 1   |      |        |      |        |       |      | Overdrive Lockout Switch  |
| 34   | 4685 536    | 1   |      |        |      |        |       |      | KNOB AND ELEMENT, Cigar Lighter                                 |
| 35   |             |     |      |        |      |        |       |      | BASE, Cigar Lighter   |
|      | 4685 590    | 1   |      |        |      |        |       |      |   |
|      |             | 1   |      |        |      |        |       |      |   |
| -36  |             |     |      |        |      |        |       |      | RING, Cigar Lighter Mounting                                    |
|      | 4793 555    | 2   |      |        |      |        |       |      |   |
|      |             | 2   |      |        |      |        |       |      |   |
| 37   |             |     |      |        |      |        |       |      | POWER OUTLET  |
|      | 4793 554AB  | 1   |      |        |      |        |       |      |   |
|      |             | 1   |      |        |      |        |       |      |   |
| 38   |             |     |      |        |      |        |       |      | CAP, Power Outlet   |
|      | 4685 666AB  | 1   |      |        |      |        |       |      |   |
|      |             | 1   |      |        |      |        |       |      |   |
| -39  | 5600 8852   | 1   |      |        |      |        |       |      | CAP, Cigar Lighter, Without Cigar Lighter                       |

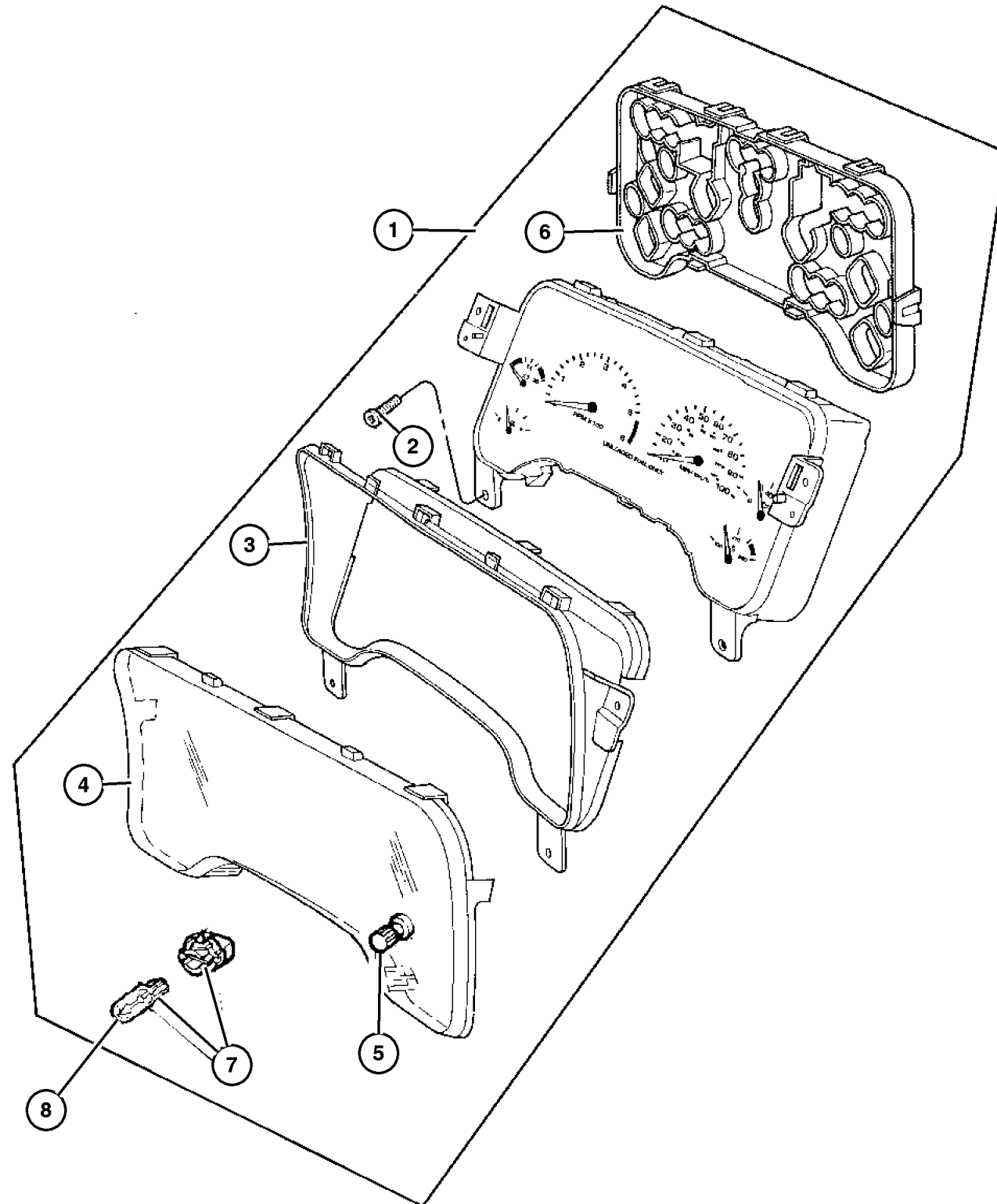
**JEEP WRANGLER (TJ)**

|             |                        |              |                       |                              |
|-------------|------------------------|--------------|-----------------------|------------------------------|
| SERIES      | LINE                   | BODY         | ENGINE                | TRANSMISSION                 |
| H = Sport   | J = Wrangler 4WD       | 77 = 93.4 WB | ED1, ED0 = 2.4L DOHC  | DGG, DGD = 32RH 3 Spd. Auto. |
| L = SE      | U = Wrangler 4WD (RHD) |              | ERH = 4.0L Power Tech | DDD = 5 Speed HD Manual      |
| M = X       |                        |              |                       | DG0 = Auto. Trans.           |
| P = Sahara  |                        |              |                       | DBB = Manual Trans.          |
| S = Rubicon |                        |              |                       | DDK = 5 Speed Manual         |

AR = Use as required - = Non illustrated part # = New this model year

August 27, 2004

**Instrument Cluster  
Figure 08A-210**



| ITEM | PART NUMBER | QTY | LINE | SERIES | BODY | ENGINE | TRANS | TRIM | DESCRIPTION  |
|------|-------------|-----|------|--------|------|--------|-------|------|--|
| 1    | 56010 678AC | 1   |      |        |      |        |       |      | CLUSTER  |
| 2    | 6034 949    | 5   |      |        |      |        |       |      | SCREW  |
| 3    | 4874 344    | 1   |      |        |      |        |       |      | MASK, Instrument Cluster   |
| 4    | 4874 345    | 1   |      |        |      |        |       |      | LENS, Cluster  |
| 5    | 4874 346    | 1   |      |        |      |        |       |      | GROMMET, Speedometer Trip Reset  |
| 6    |             |     |      |        |      |        |       |      | COVER, Cluster, Serviced in Assembly Only, (NOT SERVICED) (Not Serviced) |
| 7    | 4874 349    | 5   |      |        |      |        |       |      | BULB AND SOCKET  |
| 8    | L000 PC74   | 1   |      |        |      |        |       |      | BULB, PC74   |

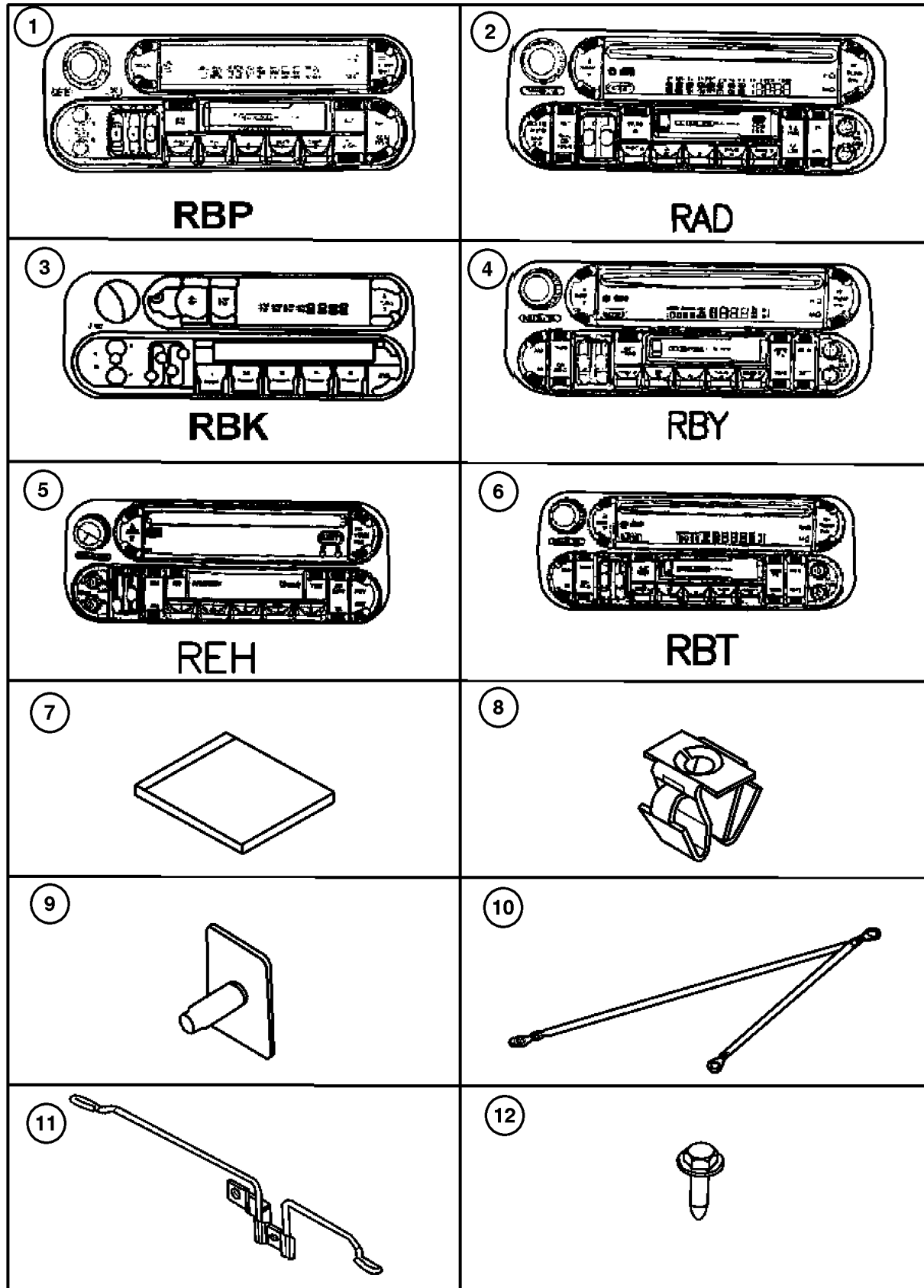
**JEEP WRANGLER (TJ)**

| SERIES      | LINE                   | BODY         | ENGINE                | TRANSMISSION                 |
|-------------|------------------------|--------------|-----------------------|------------------------------|
| H = Sport   | J = Wrangler 4WD       | 77 = 93.4 WB | ED1, ED0 = 2.4L DOHC  | DGG, DGD = 32RH 3 Spd. Auto. |
| L = SE      | U = Wrangler 4WD (RHD) |              | ERH = 4.0L Power Tech | DDD = 5 Speed HD Manual      |
| M = X       |                        |              |                       | DG0 = Auto. Trans.           |
| P = Sahara  |                        |              |                       | DBB = Manual Trans.          |
| S = Rubicon |                        |              |                       | DDK = 5 Speed Manual         |

AR = Use as required - = Non illustrated part # = New this model year

August 27, 2004

Radio  
Figure 08A-310



| ITEM  | PART NUMBER | QTY | LINE | SERIES | BODY | ENGINE | TRANS | TRIM | DESCRIPTION  |
|---|-------------|-----|------|--------|------|--------|-------|------|--|
| Notes:  |             |     |      |        |      |        |       |      |  |
| [RAD] = AM/FM Cassette/CD with Changer Control  |             |     |      |        |      |        |       |      |  |
| [RBK] = AM/FM Compact Disc with Changer Control |             |     |      |        |      |        |       |      |  |
| [RBP] = AM/FM Cassette/CD with Changer Control  |             |     |      |        |      |        |       |      |  |
| [RBT] = AM/FM Cassette/CD with Changer Control  |             |     |      |        |      |        |       |      |  |
| [RBY] = AM/FM Cassette/CD with Changer Control  |             |     |      |        |      |        |       |      |  |
| [REH] = AM/FM Compact Disc, RDS                 |             |     |      |        |      |        |       |      |  |
| 1   | 5091 606AD  | 1   |      |        |      |        |       |      | RADIO, AM/FM/Cassette With CD, [RBP]                                   |
| 2   | 5091 601AE  | 1   |      |        |      |        |       |      | RADIO, AM/FM/Cassette With CD, [RAD]                                   |
| 3   | 5091 556AI  | 1   |      |        |      |        |       |      | RADIO, AM/FM with CD and Equalizer, [RBK]                              |
| 4   | 5091 609AD  | 1   |      |        |      |        |       |      | RADIO, AM/FM/Cassette With CD, [RBY]                                   |
| 5   | 5091 650AB  | 1   |      |        |      |        |       |      | RADIO, AM/FM/Cassette With CD, [REH]                                   |
| 6   | 5091 608AD  | 1   |      |        |      |        |       |      | RADIO, AM/FM/Cassette With CD, [RBT]                                   |
| 7   | 5064 033AA  | 1   |      |        |      |        |       |      | DVD, Geographic Database, Map Data North America                       |
| 8   | 6035 859    | 4   | J    |        |      |        |       |      | CLIP, Retainer Radio Attach  |
|   |             | 4   | U    |        |      | 77     |       |      | Radio Attach   |
| 9   | 56038 744AC | 1   |      |        |      |        |       |      | PLATE, Radio Opening, Rear Mounting, Radio                             |
| 10  | 5600 9161   | 1   |      |        |      |        |       |      | STRAP, Ground  |
| 11  | 56038 745AC | 1   |      |        |      |        |       |      | BRACKET, Radio, Rear Mounting, Radio                                   |
| 12  | 6101 945    | 4   |      |        |      |        |       |      | SCREW, M4.2x1.70x15.00, Radio  |
| -13   | J400 4642   | 1   |      |        |      |        |       |      | SCREW, Round Head, .164-18x.560, Self Drill .164-18x.560, Radio Ground |

JEEP WRANGLER (TJ)

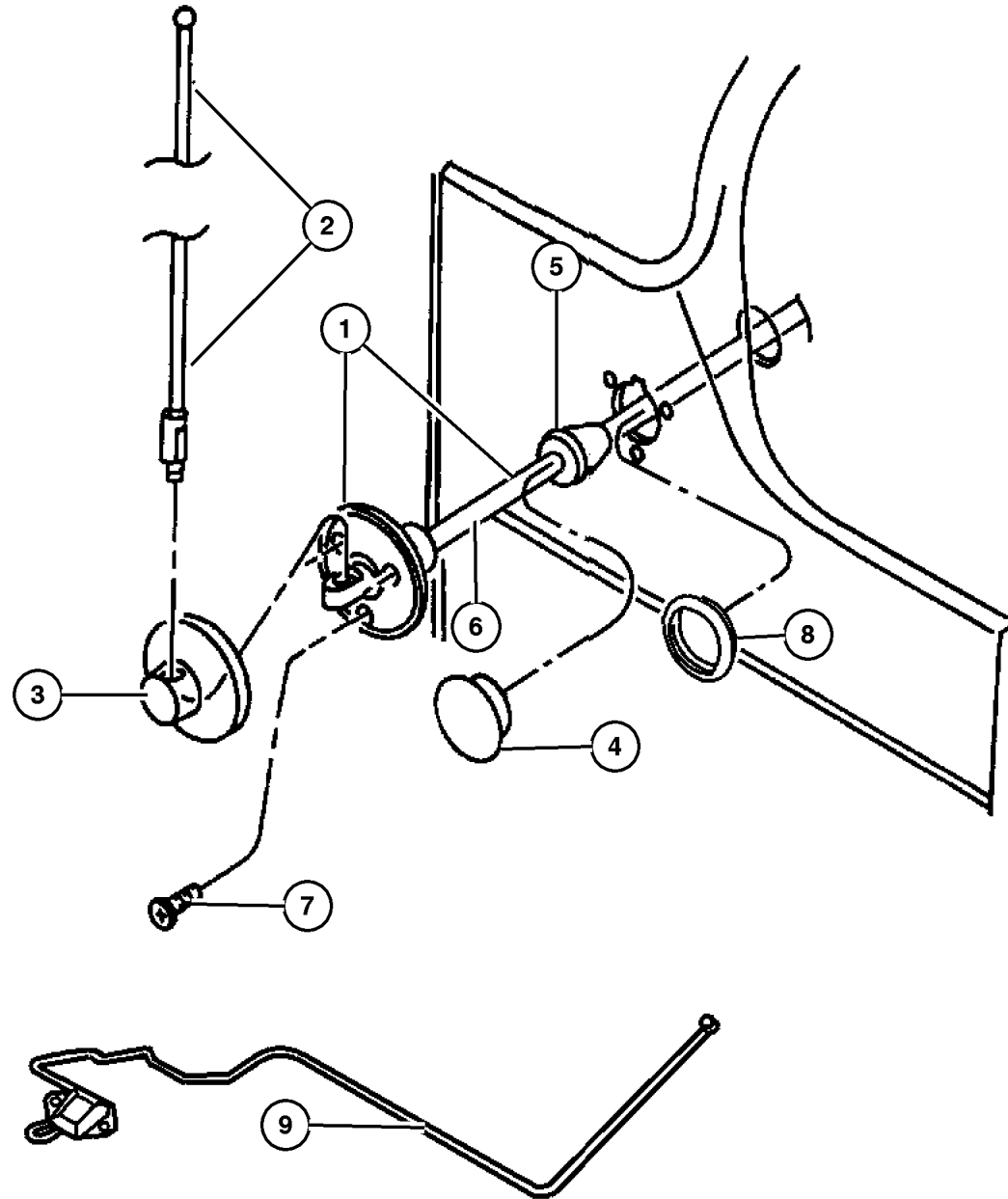
|             |                        |              |                       |                              |
|-------------|------------------------|--------------|-----------------------|------------------------------|
| SERIES      | LINE                   | BODY         | ENGINE                | TRANSMISSION                 |
| H = Sport   | J = Wrangler 4WD       | 77 = 93.4 WB | ED1, ED0 = 2.4L DOHC  | DGG, DGD = 32RH 3 Spd. Auto. |
| L = SE      | U = Wrangler 4WD (RHD) |              | ERH = 4.0L Power Tech | DDD = 5 Speed HD Manual      |
| M = X       |                        |              |                       | DG0 = Auto. Trans.           |
| P = Sahara  |                        |              |                       | DBB = Manual Trans.          |
| S = Rubicon |                        |              |                       | DDK = 5 Speed Manual         |

AR = Use as required - = Non illustrated part # = New this model year

August 27, 2004

**Antenna  
Figure 08A-320**

| ITEM | PART NUMBER | QTY | LINE | SERIES | BODY   | ENGINE | TRANS | TRIM | DESCRIPTION                                       |
|------|-------------|-----|------|--------|--------|--------|-------|------|---|
| 1    | 56038 660AB | 1   |      |        | 77, 78 |        |       |      | ANTENNA, Base Cable And Bracket, With Pigtail     |
| 2    | 56009 081AC | 1   |      |        | 77, 78 |        |       |      | MAST, Antenna                                     |
| 3    | 5603 8504   | 1   |      |        |        |        |       |      | COVER, Antenna Opening                            |
| 4    | 5600 8929   | 1   |      |        |        |        |       |      | PLUG, Antenna Hole                                |
| 5    |             |     |      |        |        |        |       |      | GROMMET, Antenna, (NOT SERVICED) (Not Serviced)   |
| 6    | 56038 661AB | 1   |      |        |        |        |       |      | CABLE, Antenna                                    |
| 7    |             |     |      |        |        |        |       |      | SCREW, .164-18x.75, (NOT SERVICED) (Not Serviced) |
| 8    | 4373 728    | 1   |      |        |        |        |       |      | PLUG, Cowl, Antenna Hole                          |
| 9    | 5094 003AA  | 1   |      |        |        |        |       |      | ANTENNA, Satellite, Navigation with Cable         |
| -10  | 5503 7284   | 1   |      |        |        |        |       |      | CLIP, Antenna Cable                               |



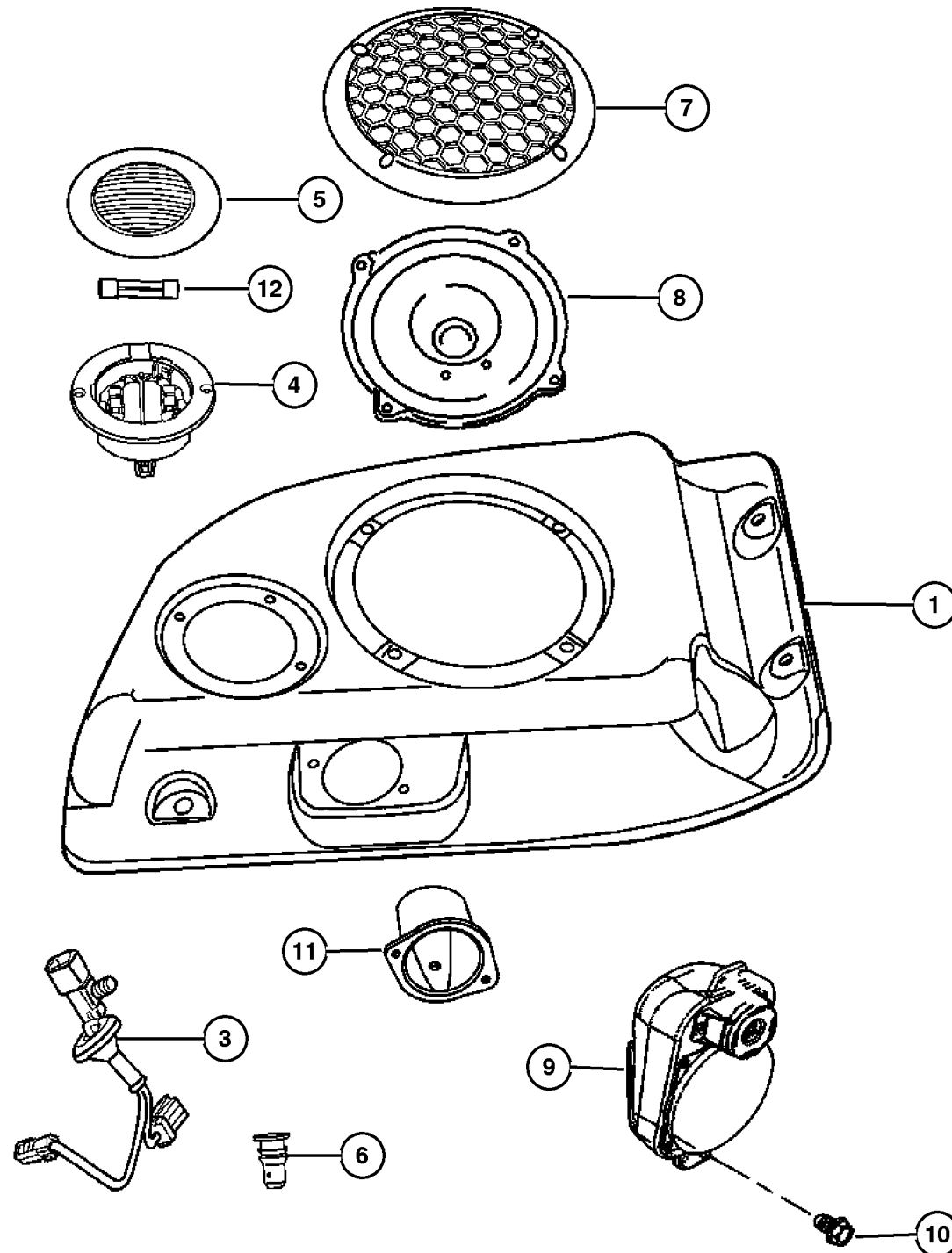
**JEEP WRANGLER (TJ)**

| SERIES      | LINE                   | BODY         | ENGINE                | TRANSMISSION                 |
|-------------|------------------------|--------------|-----------------------|------------------------------|
| H = Sport   | J = Wrangler 4WD       | 77 = 93.4 WB | ED1, ED0 = 2.4L DOHC  | DGG, DGD = 32RH 3 Spd. Auto. |
| L = SE      | U = Wrangler 4WD (RHD) |              | ERH = 4.0L Power Tech | DDD = 5 Speed HD Manual      |
| M = X       |                        |              |                       | DG0 = Auto. Trans.           |
| P = Sahara  |                        |              |                       | DBB = Manual Trans.          |
| S = Rubicon |                        |              |                       | DDK = 5 Speed Manual         |

AR = Use as required - = Non illustrated part # = New this model year

August 27, 2004

## Speakers Figure 08A-330



| ITEM | PART NUMBER | QTY | LINE | SERIES | BODY | ENGINE | TRANS | TRIM | DESCRIPTION   |
|------|-------------|-----|------|--------|------|--------|-------|------|---|
| 1    |             |     |      |        |      |        |       |      | HOUSING, Speaker  |
|      | 5HU98 DX9AH | 1   |      |        |      |        |       |      | Black (Grille, Lamp, Lens and Wiring Included), Right   |
|      | 5HU99 DX9AH | 1   |      |        |      |        |       |      | Black (Grille, Lamp, Lens and Wiring Included), Left  |
|      | 5JP52 DX9AD | 1   |      |        |      |        |       |      | Black (Speaker,Grille, Lamp, Lens and Wiring Included), Right   |
|      | 5JP53 DX9AD | 1   |      |        |      |        |       |      | Black (Speaker,Grille, Lamp, Lens and Wiring Included), Left  |
| -2   |             |     |      |        |      |        |       |      | SCREW, (NOT SERVICED) (Not Serviced)  |
| 3    | 56047 121AC | 1   |      |        |      |        |       |      | WIRING, Speaker - Rear  |
| 4    | 56047 114AD | 1   |      |        |      |        |       |      | LAMP, Dome  |
| 5    | 56047 115AA | 1   |      |        |      |        |       |      | LENS, Dome Lamp   |
| 6    | 5093 022AA  | 1   |      |        |      |        |       |      | SLEEVE, Isolator  |
| 7    | 5086 805AA  | 1   |      |        |      |        |       |      | GRILLE, Speaker   |
| 8    | 56038 566AE | 1   |      |        |      |        |       |      | SPEAKER, Rear, Full Range 5.25 inch   |
| 9    |             |     |      |        |      |        |       |      | SPEAKER, Instrument Panel 4x6 inch, Instrument Panel Consists of Bass Speaker and Tweeter in Sealed Assembly, Premium |
|      | 56008 795AG | 2   |      |        |      |        |       |      |   |
|      | 56038 719AC | 2   |      |        |      |        |       |      |   |
| 10   | 6034 949    | 8   |      |        |      |        |       |      | SCREW, Speaker Mounting   |
| 11   |             |     |      |        |      |        |       |      | CUP, Wire Cup (Serviced with Speaker Housing), (NOT SERVICED) (Not Serviced)  |
| 12   | L002 1102   | 1   |      |        |      |        |       |      | BULB, 211-2   |
| -13  |             |     |      |        |      |        |       |      | U-NUT, .164-15  |
|      | 6034 432    | 4   | U    |        |      | 77     |       |      |   |
|      |             | 4   | J    |        |      |        |       |      |   |

### JEEP WRANGLER (TJ)

SERIES  
H = Sport  
L = SE  
M = X  
P = Sahara  
S = Rubicon

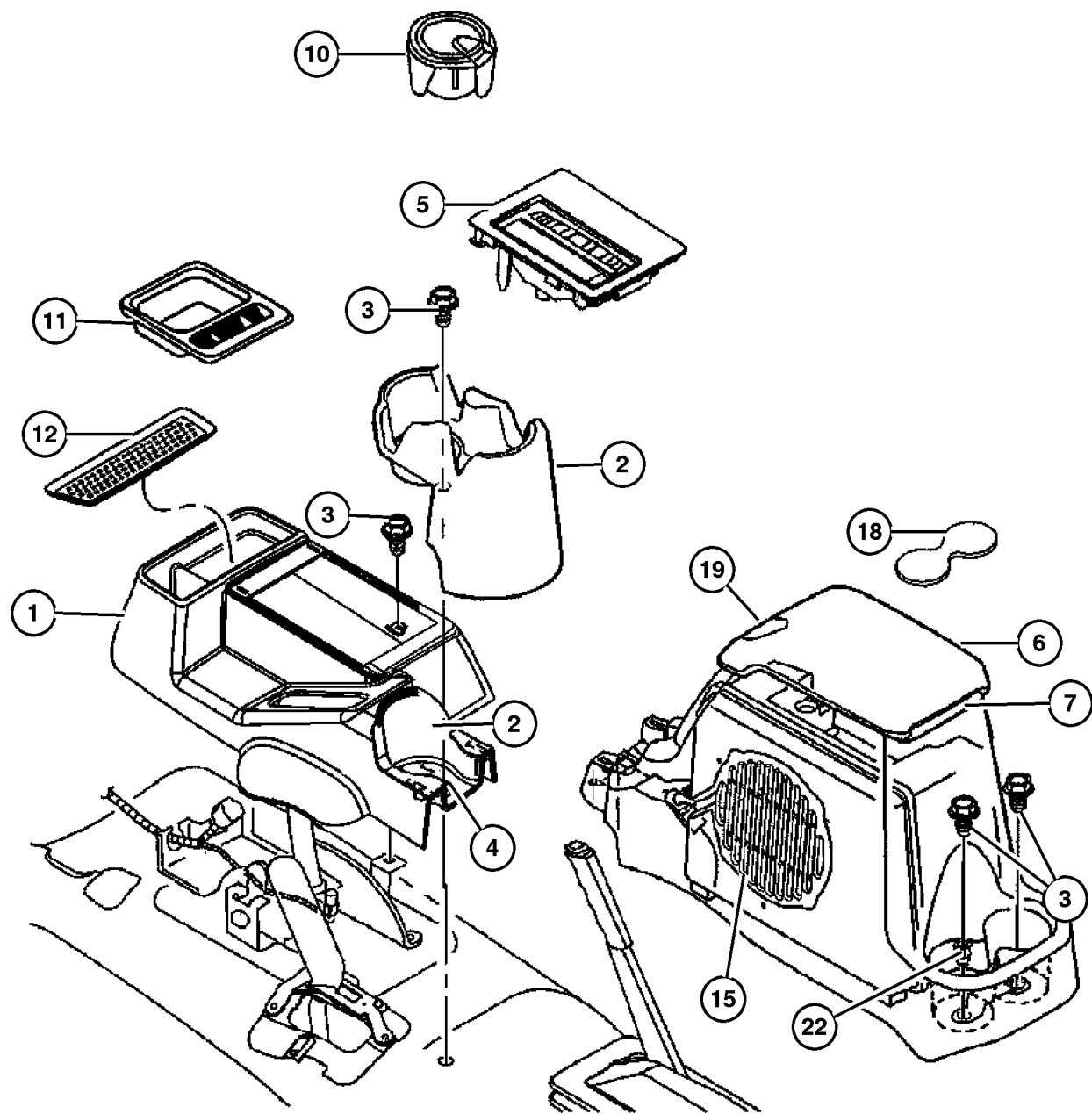
LINE  
J = Wrangler 4WD  
U = Wrangler 4WD (RHD)

BODY  
77 = 93.4 WB

ENGINE  
ED1, ED0 = 2.4L DOHC  
ERH = 4.0L Power Tech

TRANSMISSION  
DGG, DGD = 32RH 3 Spd. Auto.  
DDD = 5 Speed HD Manual  
DGO = Auto. Trans.  
DBB = Manual Trans.  
DDK = 5 Speed Manual

**Consoles Full and Mini  
Figure 08A-410**



| ITEM                                | PART NUMBER | QTY | LINE | SERIES | BODY | ENGINE | TRANS | TRIM | DESCRIPTION  |
|-------------------------------------|-------------|-----|------|--------|------|--------|-------|------|--|
| Notes:                              |             |     |      |        |      |        |       |      |  |
| [DBB] = All Manual Transmissions    |             |     |      |        |      |        |       |      |  |
| [DG0] = All Automatic Transmissions |             |     |      |        |      |        |       |      |  |
| 1                                   |             |     |      |        |      |        |       |      | CONSOLE, Floor, w/Passenger Disarm Switch                                      |
|                                     | 5HE62 XDVAG | 1   |      |        |      |        |       |      | [DV] Rear Floor Tower  |
|                                     | 5HE62 ZJ3AG | 1   |      |        |      |        |       |      | [J3] Rear Floor Tower  |
|                                     | 5JP65 XDVAD | 1   |      |        |      |        |       |      | [DV] Front Floor Full  |
|                                     | 5JP65 ZJ3AD | 1   |      |        |      |        |       |      | [J3] Front Floor Full  |
| 2                                   |             |     |      |        |      |        |       |      | CUPHOLDER, Console   |
|                                     | 5HJ98 XDVAB | 1   |      |        |      |        |       |      | [DV] Rear Floor Mini Close-out with Cupholder                                  |
|                                     | 5HJ98 ZJ3AB | 1   |      |        |      |        |       |      | [J3] Rear Floor Mini Close-out with Cupholder                                  |
| 3                                   |             |     |      |        |      |        |       |      | SCREW, 0.190-16x.875, (NOT SERVICED) (Not Serviced)                            |
| 4                                   | 5511 5652   | 1   |      |        |      |        |       |      | MAT, Console Cup Holder, Single Cupholder Mat                                  |
| 5                                   | 55315 059AB | 1   |      |        |      |        |       |      | BEZEL AND DIAL, Gearshift Lever  |
| 6                                   |             |     |      |        |      |        |       |      | LID, Center Console Storage  |
|                                     | 5HE63 XDVAE | 1   |      |        |      |        |       |      | [DV]   |
|                                     | 5HE63 ZJ3AE | 1   |      |        |      |        |       |      | [J3]   |
| 7                                   | 55315 039AB | 1   |      |        |      |        |       |      | HINGE, Floor Console Lid   |
| -8                                  |             |     |      |        |      |        |       |      | STRIKER, Console Lid Catch, Serviced in Console, (NOT SERVICED) (Not Serviced) |
| -9                                  | 55361 331AA | 2   |      |        |      |        |       |      | BUMPER, Glove Box Door   |
| 10                                  | 5HZ57 DX9AB | 1   |      |        |      |        |       |      | ASH RECEIVER, Floor Console  |
| 11                                  | 55315 056AB | 1   |      |        |      |        |       |      | TRAY, Floor Console  |
| 12                                  | 55361 353AA | 1   |      |        |      |        |       |      | MAT, Floor Console, Covers access hole, Front, Center Console                  |
| -13                                 |             |     |      |        |      |        |       |      | PLUG, Cover  |
|                                     | 55315 000AB | 1   |      |        |      |        |       |      |  |
| -14                                 |             |     |      |        |      |        |       |      | BIN, Storage   |
|                                     | 55315 040AC | 1   |      |        |      |        |       |      | Without Subwoofer, Floor Console   |
|                                     | 55315 055AA | 1   |      |        |      |        |       |      | Storage Compact Disc   |
| 15                                  | 56038 743AC | 1   |      |        |      |        |       |      | SPEAKER, Sub Woofer  |
| -16                                 | 55315 043AC | 1   |      |        |      |        |       |      | PLATE, Speaker   |
| -17                                 | 6034 833    | 2   |      |        |      |        |       |      | CLIP, Push, .164-7.5, Hinge to console Base                                    |

**JEEP WRANGLER (TJ)**

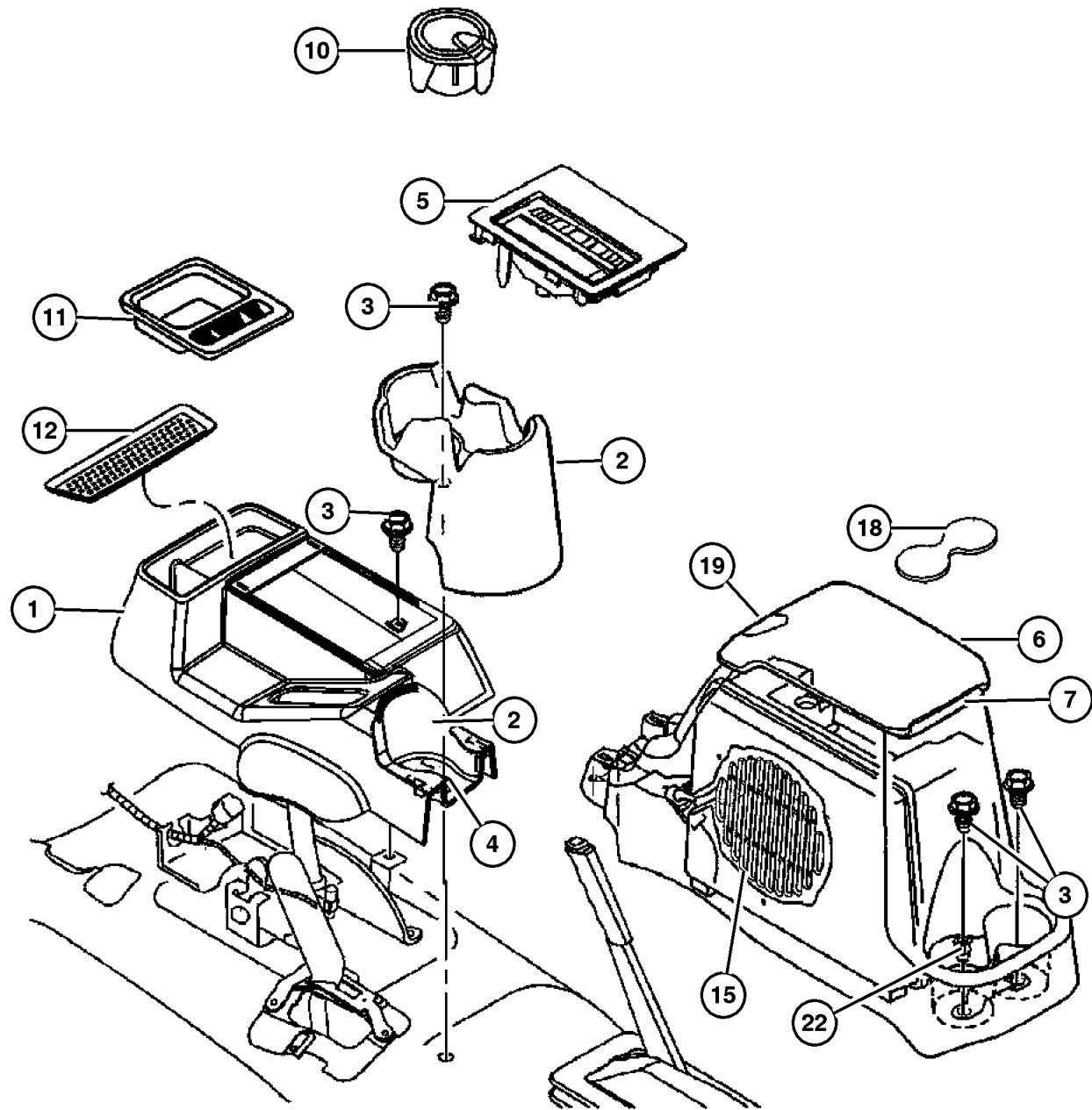
|             |                        |              |                       |                              |
|-------------|------------------------|--------------|-----------------------|------------------------------|
| SERIES      | LINE                   | BODY         | ENGINE                | TRANSMISSION                 |
| H = Sport   | J = Wrangler 4WD       | 77 = 93.4 WB | ED1, ED0 = 2.4L DOHC  | DGG, DGD = 32RH 3 Spd. Auto. |
| L = SE      | U = Wrangler 4WD (RHD) |              | ERH = 4.0L Power Tech | DDD = 5 Speed HD Manual      |
| M = X       |                        |              |                       | DG0 = Auto. Trans.           |
| P = Sahara  |                        |              |                       | DBB = Manual Trans.          |
| S = Rubicon |                        |              |                       | DDK = 5 Speed Manual         |

AR = Use as required - = Non illustrated part # = New this model year

August 27, 2004



Consoles Full and Mini  
Figure 08A-410



| ITEM | PART NUMBER | QTY | LINE | SERIES | BODY | ENGINE | TRANS | TRIM | DESCRIPTION                                       |
|------|-------------|-----|------|--------|------|--------|-------|------|---|
| 18   | 55315 050AA | 1   |      |        |      |        |       |      | MAT, Floor, Front Console                         |
| 19   | 55315 041AD | 1   |      |        |      |        |       |      | Cupholder   |
| -20  | J400 4642   | 1   |      |        |      |        |       |      | LATCH, Armrest Lid                                |
| -21  | 6504 232    | 2   |      |        |      |        |       |      | SCREW, Round Head, .164-18x.560, Subwoofer Ground |
| 22   | 6503 245    | 2   |      |        |      |        |       |      | CLIP, Molding, Barbs. Special M6. 50x13.50        |
|      |             |     |      |        |      |        |       |      | RIVET, M6x1.00                                    |

JEEP WRANGLER (TJ)

|             |                        |              |                       |                              |
|-------------|------------------------|--------------|-----------------------|------------------------------|
| SERIES      | LINE                   | BODY         | ENGINE                | TRANSMISSION                 |
| H = Sport   | J = Wrangler 4WD       | 77 = 93.4 WB | ED1, ED0 = 2.4L DOHC  | DGG, DGD = 32RH 3 Spd. Auto. |
| L = SE      | U = Wrangler 4WD (RHD) |              | ERH = 4.0L Power Tech | DDD = 5 Speed HD Manual      |
| M = X       |                        |              |                       | DG0 = Auto. Trans.           |
| P = Sahara  |                        |              |                       | DBB = Manual Trans.          |
| S = Rubicon |                        |              |                       | DDK = 5 Speed Manual         |

AR = Use as required - = Non illustrated part # = New this model year

August 27, 2004

# Group – 009

## Engine Mounting

### GROUP 9 - Engine Mounting

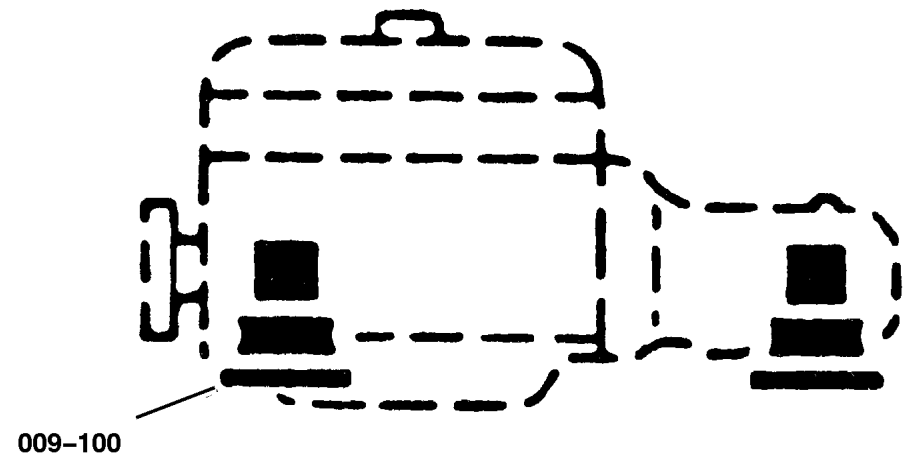
Illustration Title

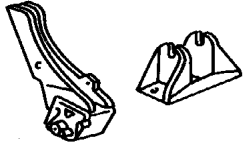
Group-Fig. No.

#### Engine Mounting

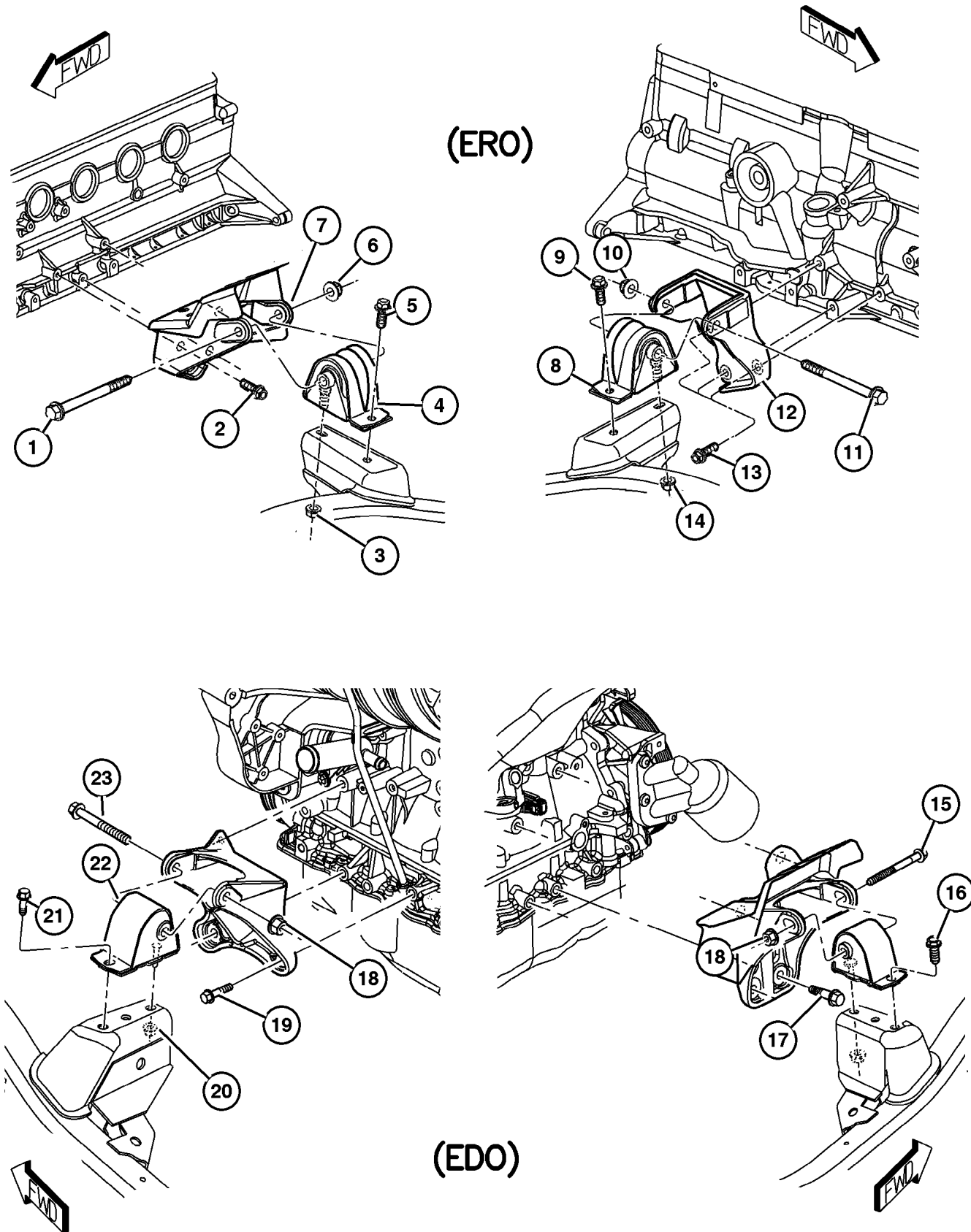
Engine Mounting ..... Fig. 009-110

Transmission Mounting ..... Fig. 009-120



|   |  |  |  |
|---|--|--|--|
| <p><b>009-100</b><br/>Engine Mounting</p>  |  |  |  |
|---|--|--|--|

## Engine Mounting Figure 009-110



| ITEM                                | PART NUMBER | QTY | LINE | SERIES | BODY | ENGINE | TRANS | TRIM | DESCRIPTION                            |
|-------------------------------------|-------------|-----|------|--------|------|--------|-------|------|--|
| Note: Sales Codes:                  |             |     |      |        |      |        |       |      |  |
| [ED0] = All 2.4L 4 Cylinder Engines |             |     |      |        |      |        |       |      |  |
| [ER0] = All 4.0L 6 Cylinder Engines |             |     |      |        |      |        |       |      |  |
| 1                                   | 3420 2606   | 2   |      |        |      | ER0    |       |      | BOLT, Hex Head                         |
| 2                                   | 6503 699    | 6   |      |        |      | ER0    |       |      | SCREW AND WASHER, Hex Head, M10x1.5x28 |
| 3                                   | 6502 696    | 2   |      |        |      |        |       |      | NUT, Hex Flange Lock, M10x1.5          |
| 4                                   | 52019 278AD | 2   |      |        |      | ER0    |       |      | INSULATOR, Engine Mount                |
| 5                                   | 6502 137    | 2   |      |        |      |        |       |      | BOLT, Hex Flange Head, M10x1.5x35      |
| 6                                   | 6502 697    | 2   |      |        |      |        |       |      | NUT, Hex Flange Lock, M12x1.75         |
| 7                                   | 52059 285AB | 1   |      |        |      | ER0    |       |      | BRACKET, Engine Mount                  |
| 8                                   | 52019 278AD | 2   |      |        |      | ER0    |       |      | INSULATOR, Engine Mount                |
| 9                                   | 6502 137    | 2   |      |        |      |        |       |      | BOLT, Hex Flange Head, M10x1.5x35      |
| 10                                  | 6502 697    | 2   |      |        |      |        |       |      | NUT, Hex Flange Lock, M12x1.75         |
| 11                                  | 3420 2606   | 2   |      |        |      | ER0    |       |      | BOLT, Hex Head                         |
| 12                                  |             |     |      |        |      |        |       |      | BRACKET, Engine Mount Left             |
|                                     | 52059 418AA | 1   |      |        |      | ED0    |       |      |  |
|                                     | 52059 284AC | 1   |      |        |      | ER0    |       |      |  |
| 13                                  | 6503 699    | 6   |      |        |      | ER0    |       |      | SCREW AND WASHER, Hex Head, M10x1.5x28 |
| 14                                  | 6502 696    | 2   |      |        |      |        |       |      | NUT, Hex Flange Lock, M10x1.5          |
| 15                                  | 3420 2606   | 1   |      |        |      | ED0    |       |      | BOLT, Hex Head                         |
| 16                                  | 6502 137    | 2   |      |        |      |        |       |      | BOLT, Hex Flange Head, M10x1.5x35      |
| 17                                  | 6503 699    | 7   |      |        |      | ED0    |       |      | SCREW AND WASHER, Hex Head, M10x1.5x28 |
| 18                                  | 6502 697    | 2   |      |        |      |        |       |      | NUT, Hex Flange Lock, M12x1.75         |
| 19                                  | 6503 699    | 7   |      |        |      | ED0    |       |      | SCREW AND WASHER, Hex Head, M10x1.5x28 |
| 20                                  | 6502 696    | 2   |      |        |      |        |       |      | NUT, Hex Flange Lock, M10x1.5          |
| 21                                  | 6502 137    | 2   |      |        |      |        |       |      | BOLT, Hex Flange Head, M10x1.5x35      |
| 22                                  | 52019 276AD | 2   |      |        |      | ED0    |       |      | INSULATOR, Engine Mount                |
| 23                                  | 6507 344AA  | 1   |      |        |      | ED0    |       |      | BOLT                                   |

**JEEP WRANGLER (TJ)**

|             |                        |              |                       |                              |
|-------------|------------------------|--------------|-----------------------|------------------------------|
| SERIES      | LINE                   | BODY         | ENGINE                | TRANSMISSION                 |
| H = Sport   | J = Wrangler 4WD       | 77 = 93.4 WB | ED1, ED0 = 2.4L DOHC  | DGG, DGD = 32RH 3 Spd. Auto. |
| L = SE      | U = Wrangler 4WD (RHD) |              | ERH = 4.0L Power Tech | DDD = 5 Speed HD Manual      |
| M = X       |                        |              |                       | DG0 = Auto. Trans.           |
| P = Sahara  |                        |              |                       | DBB = Manual Trans.          |
| S = Rubicon |                        |              |                       | DDK = 5 Speed Manual         |

AR = Use as required - = Non illustrated part # = New this model year

August 27, 2004

## Transmission Mounting Figure 009-120

| ITEM | PART NUMBER | QTY | LINE | SERIES | BODY | ENGINE | TRANS | TRIM | DESCRIPTION |
|------|-------------|-----|------|--------|------|--------|-------|------|-------------|
|------|-------------|-----|------|--------|------|--------|-------|------|-------------|

Note: Sales Codes:

[DD0] = All 5 Speed Manual Transmissions

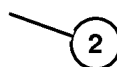
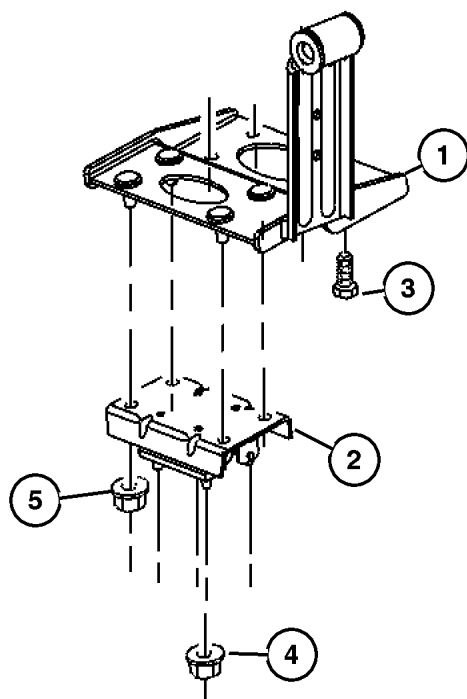
[DG0] = All Automatic Transmissions

[ED0] = All 2.4L 4 Cylinder Engines

[ED1] = 2.4L Power Tech DOHC I-4 Engine

[ER0] = All 4.0L 6 Cylinder Engines

|   |             |   |  |  |  |     |  |  |   |
|---|-------------|---|--|--|--|-----|--|--|---|
| 1 |             |   |  |  |  |     |  |  | BRACKET, Transmission Mount   |
|   | 52059 502AB | 1 |  |  |  | ER0 |  |  |   |
|   | 52059 509AB | 1 |  |  |  | ER0 |  |  |   |
|   | 52059 698AA | 1 |  |  |  | ED0 |  |  |   |
| 2 | 52058 551AB | 1 |  |  |  |     |  |  | MOUNT, Transmission   |
| 3 | 6503 699    | 4 |  |  |  |     |  |  | SCREW AND WASHER, Hex Head,<br>M10x1.5x28, [.437-14x1.12<br>06035982AA] |
| 4 | 6100 517    | 4 |  |  |  |     |  |  | NUT, Hex Flange Lock  |
| 5 | 6502 337    | 4 |  |  |  |     |  |  | NUT, M10x1.5  |



**JEEP WRANGLER (TJ)**

|             |                        |              |                       |                                 |
|-------------|------------------------|--------------|-----------------------|---------------------------------|
| SERIES      | LINE                   | BODY         | ENGINE                | TRANSMISSION                    |
| H = Sport   | J = Wrangler 4WD       | 77 = 93.4 WB | ED1, ED0 = 2.4L DOHC  | DGG, DGD = 32RH 3 Spd.<br>Auto. |
| L = SE      | U = Wrangler 4WD (RHD) |              | ERH = 4.0L Power Tech | DDD = 5 Speed HD Manual         |
| M = X       |                        |              |                       | DG0 = Auto. Trans.              |
| P = Sahara  |                        |              |                       | DBB = Manual Trans.             |
| S = Rubicon |                        |              |                       | DDK = 5 Speed Manual            |

AR = Use as required - = Non illustrated part # = New this model year

August 27, 2004

# Group – 2.4L

## Engine 2.4L Four Cylinder

### GROUP 2.4L - Engine 2.4L Four Cylinder

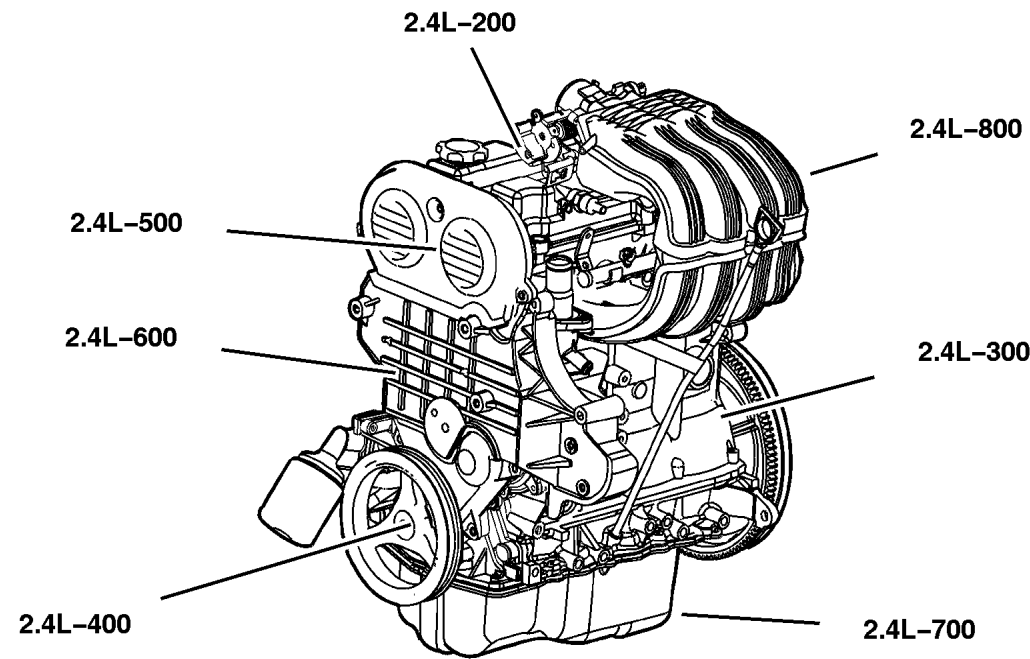


Illustration Title

Group-Fig. No.

#### Cylinder Head

Cylinder Head, 2.4L [ED1] ..... Fig. 2.4L-210

#### Cylinder Block

Cylinder Block, 2.4L [ED1] ..... Fig. 2.4L-310

#### Crankshaft, Piston, and Drive Plate

Crankshaft, Pistons and Flywheel, 2.4L [ED1] ..... Fig. 2.4L-410

#### Camshafts and Valves

Camshaft and Valves 2.4L [ED1] ..... Fig. 2.4L-510

#### Timing Belt and Cover

Timing Belt and Cover, 2.4L [ED1] ..... Fig. 2.4L-610

Balance Shafts, 2.4L [ED1] ..... Fig. 2.4L-620

#### Engine Oiling

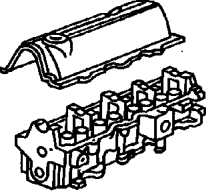
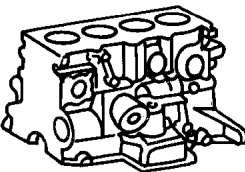
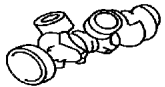
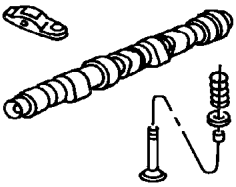
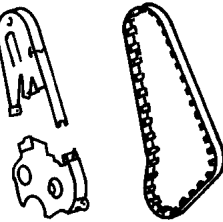
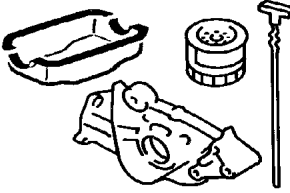
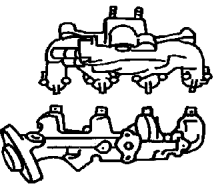
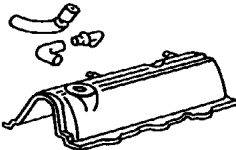
Engine Oiling, 2.4L [ED1] ..... Fig. 2.4L-710

#### Manifolds

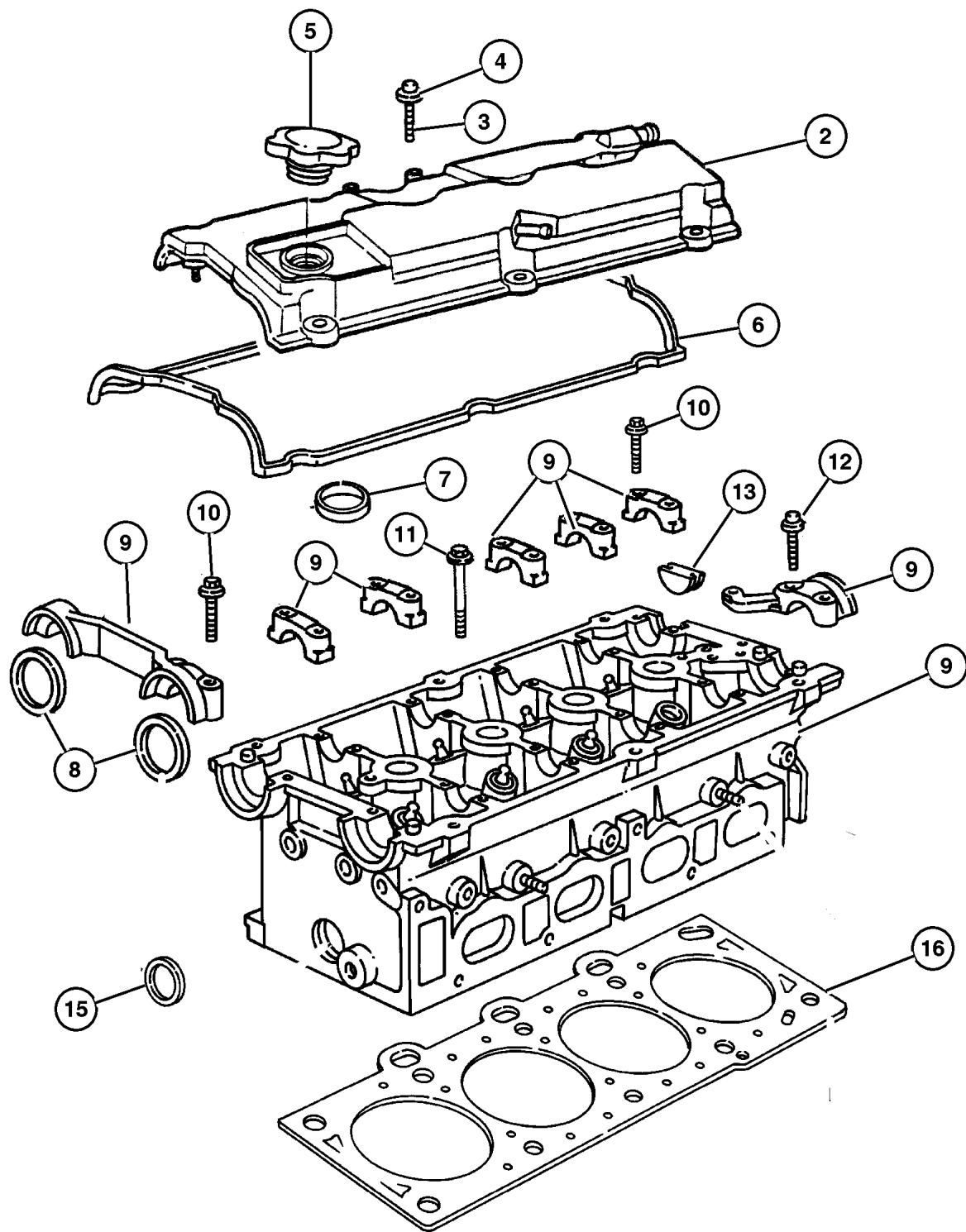
Intake and Exhaust Manifolds, 2.4L [ED1] ..... Fig. 2.4L-810

#### Crankcase Ventilation

Crankcase Ventilation, 2.4L [ED1] ..... Fig. 2.4L-910

|  |   |  |  |
|--|---|--|--|
| <p><b>2.4L-200</b><br/>Cylinder Head</p>          | <p><b>2.4L-300</b><br/>Cylinder Block</p>  | <p><b>2.4L-400</b><br/>Crankshaft, Piston, and Drive Plate</p>  | <p><b>2.4L-500</b><br/>Camshafts and Valves</p>   |
| <p><b>2.4L-600</b><br/>Timing Belt and Cover</p>  | <p><b>2.4L-700</b><br/>Engine Oiling</p>   | <p><b>2.4L-800</b><br/>Manifolds</p>                           | <p><b>2.4L-900</b><br/>Crankcase Ventilation</p>  |

**Cylinder Head, 2.4L [ED1]  
Figure 2.4L-210**



| ITEM                             | PART NUMBER | QTY | LINE | SERIES | BODY | ENGINE | TRANS | TRIM | DESCRIPTION                                       |
|----------------------------------|-------------|-----|------|--------|------|--------|-------|------|---|
| NOTES:                           |             |     |      |        |      |        |       |      |   |
| SALES CODES:                     |             |     |      |        |      |        |       |      |   |
| [ED1] = 2.4L POWER TECH DOHC I-4 |             |     |      |        |      |        |       |      |   |
| -1                               | 5072 474AC  | 1   |      |        |      | ED0    |       |      | GASKET PACKAGE, Engine Upper COVER, Cylinder Head |
| 2                                | 53010 493AD | 1   |      |        |      | ED0    |       |      |   |
| 3                                |             |     |      |        |      |        |       |      | SCREW, (NOT SERVICED) (Not Serviced)              |
| 4                                | 4777 997AA  | 5   |      |        |      | ED0    |       |      | ISOLATOR, Cylinder Head Cover, Grommet And Bolt   |
| 5                                | 53010 656AA | 1   |      |        |      | ED0    |       |      | CAP, Oil Filler                                   |
| 6                                | 4777 478    | 1   |      |        |      | ED0    |       |      | GASKET, Valve Cover                               |
| 7                                | 4777 477    | 4   |      |        |      | ED0    |       |      | GASKET, Spark Plug Well                           |
| 8                                | 4777 086    | 2   |      |        |      | ED0    |       |      | SEAL, Camshaft, Front                             |
| 9                                | 5170 051AA  | 1   |      |        |      | ED0    |       |      | HEAD, Cylinder                                    |
| 10                               | 6100 918    | 18  |      |        |      | ED0    |       |      | BOLT, Hex Flange Head, M6x1.00x35                 |
| 11                               | 6504 033    | 10  |      |        |      | ED0    |       |      | BOLT, Cylinder Head                               |
| 12                               | 6101 527    | 6   |      |        |      | ED0    |       |      | SCREW, Hex Flange Head, M8x1.25x40                |
| 13                               | 4667 731    | 1   |      |        |      | ED0    |       |      | PLUG, Camshaft, Half Round                        |
| -14                              | 53010 521AA | 1   |      |        |      | ED0    |       |      | PLUG, Camshaft, Round                             |
| 15                               | 4556 020    | 2   |      |        |      | ED0    |       |      | PLUG, Core, 1.25 Diameter                         |
| 16                               | 4884 407AA  | 1   |      |        |      | ED0    |       |      | GASKET, Cylinder Head                             |

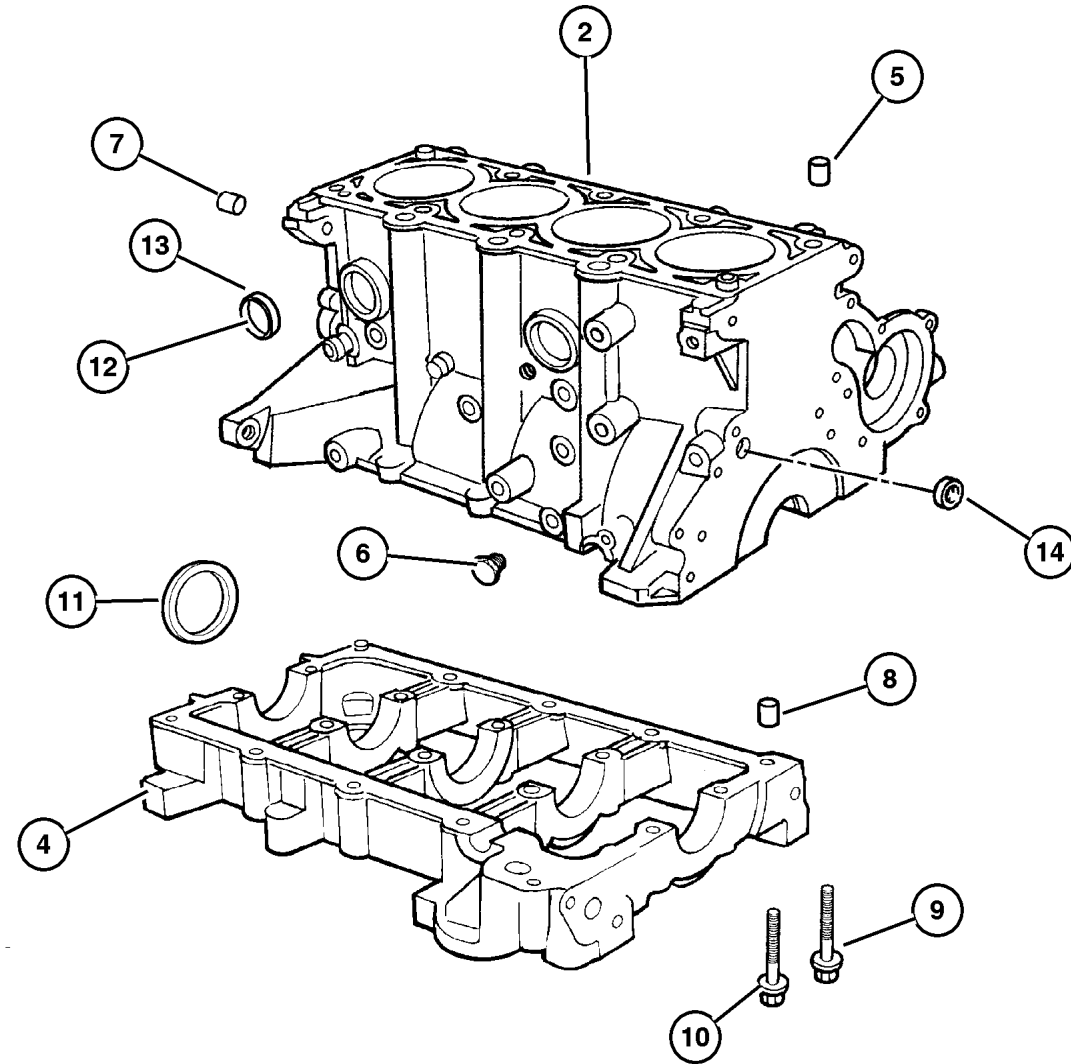
**JEEP WRANGLER (TJ)**

|             |                        |              |                       |                              |
|-------------|------------------------|--------------|-----------------------|------------------------------|
| SERIES      | LINE                   | BODY         | ENGINE                | TRANSMISSION                 |
| H = Sport   | J = Wrangler 4WD       | 77 = 93.4 WB | ED1, ED0 = 2.4L DOHC  | DGG, DGD = 32RH 3 Spd. Auto. |
| L = SE      | U = Wrangler 4WD (RHD) |              | ERH = 4.0L Power Tech | DDD = 5 Speed HD Manual      |
| M = X       |                        |              |                       | DG0 = Auto. Trans.           |
| P = Sahara  |                        |              |                       | DBB = Manual Trans.          |
| S = Rubicon |                        |              |                       | DDK = 5 Speed Manual         |

AR = Use as required - = Non illustrated part # = New this model year

August 27, 2004

**Cylinder Block, 2.4L [ED1]  
Figure 2.4L-310**



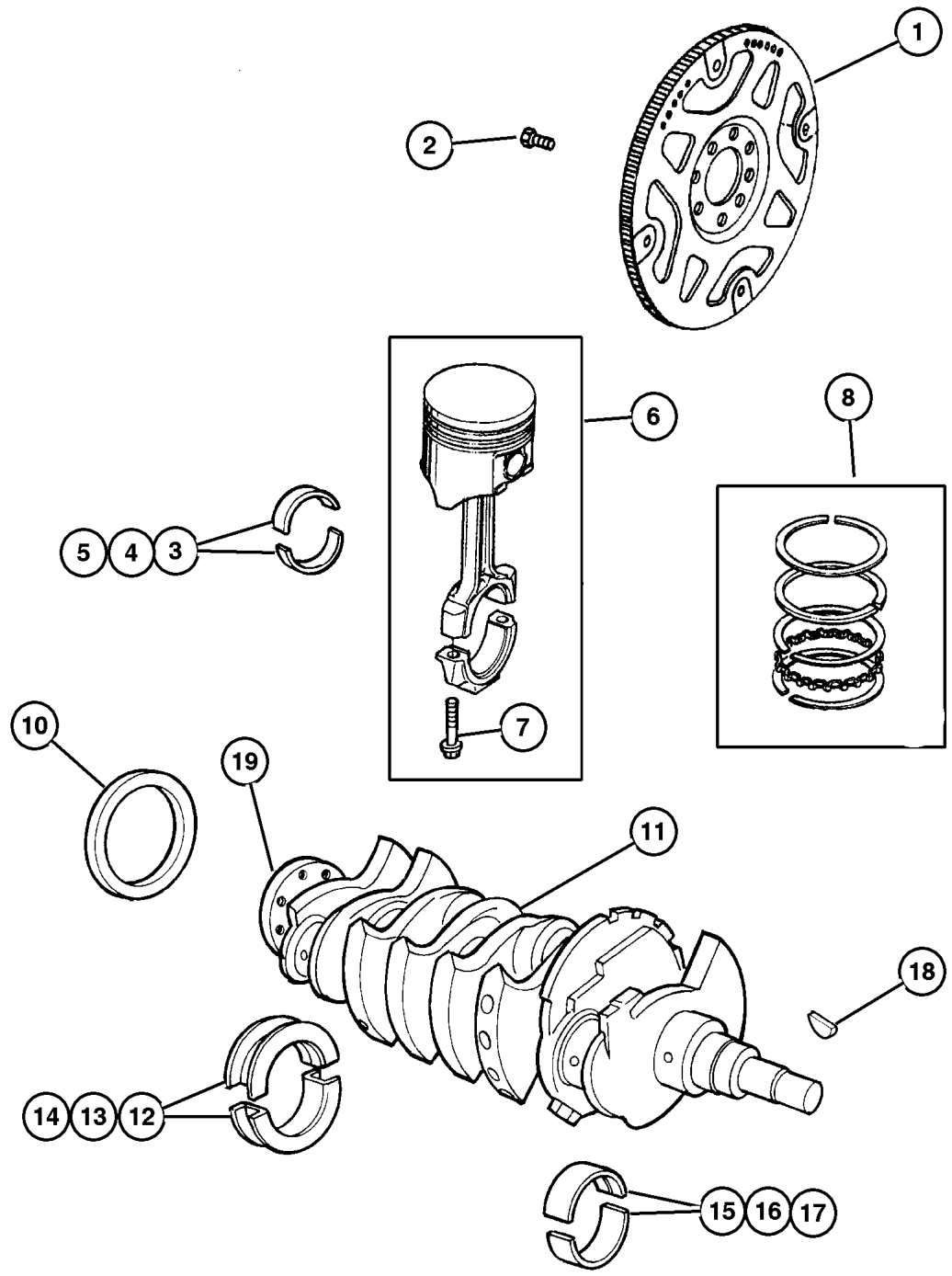
| ITEM                             | PART NUMBER | QTY | LINE | SERIES | BODY | ENGINE | TRANS | TRIM | DESCRIPTION   |
|----------------------------------|-------------|-----|------|--------|------|--------|-------|------|---|
| NOTES:                           |             |     |      |        |      |        |       |      |   |
| SALES CODES:                     |             |     |      |        |      |        |       |      |   |
| [ED1] = 2.4L POWER TECH DOHC I-4 |             |     |      |        |      |        |       |      |   |
| -1                               | 5072 475AA  | 1   |      |        |      | ED0    |       |      | GASKET PACKAGE, Engine Lower  |
| 2                                | 5019 344AB  | 1   |      |        |      | ED0    |       |      | BLOCK, Short  |
| -3                               | 6507 155AA  | 1   |      |        |      | ED0    |       |      | STUD, Double Ended  |
| 4                                |             |     |      |        |      |        |       |      | BEDPLATE, Serviced With Short Block Only, (NOT SERVICED) (Not Serviced) |
| 5                                | 4448 856    | 2   |      |        |      | ED0    |       |      | DOWEL, Block To Cylinder Head   |
| 6                                | 6036 543AA  | 6   |      |        |      | ED0    |       |      | PLUG, Pipe  |
| 7                                | 5240 849    | 2   |      |        |      | ED0    |       |      | DOWEL   |
| 8                                | 4694 106    | 2   |      |        |      | ED0    |       |      | DOWEL, Engine Block To Bedplate   |
| 9                                | 6503 387    | 10  |      |        |      | ED0    |       |      | BOLT, Main Bearing Cap  |
| 10                               | 6504 257    | 9   |      |        |      | ED0    |       |      | BOLT, Hex Head, M8x1.25x70  |
| 11                               | 4621 939AB  | 1   |      |        |      | ED0    |       |      | SEAL, Rear Main Crankshaft  |
| 12                               | 4556 020    | 2   |      |        |      | ED0    |       |      | PLUG, Core, 1.25 Diameter   |
| 13                               | 6034 804    | 4   |      |        |      | ED0    |       |      | PLUG, Core, 1.39 Diameter   |
| 14                               | 4556 018AB  | 1   |      |        |      | ED0    |       |      | PLUG, Cylinder Block Oil Hole   |
| -15                              | 53013 486AA | 2   |      |        |      | ED0    |       |      | BRACKET, Engine Lift  |
| -16                              | 6503 096    | 1   |      |        |      | ED0    |       |      | O RING, Engine Block Heater   |
| -17                              | 4557 686AB  | 1   |      |        |      | ED0    |       |      | HEATER, Engine  |
| -18                              | 56044 160AA | 1   |      |        |      | ED0    |       |      | CORD, Engine Block Heater   |
| -19                              | 6034 331    | 1   |      |        |      | ED0    |       |      | PLUG, Hex Socket, 3/8-18NPTx.475  |

|                           |                        |              |                       |                              |
|---------------------------|------------------------|--------------|-----------------------|------------------------------|
| <b>JEEP WRANGLER (TJ)</b> |                        |              |                       |                              |
| SERIES                    | LINE                   | BODY         | ENGINE                | TRANSMISSION                 |
| H = Sport                 | J = Wrangler 4WD       | 77 = 93.4 WB | ED1, ED0 = 2.4L DOHC  | DGG, DGD = 32RH 3 Spd. Auto. |
| L = SE                    | U = Wrangler 4WD (RHD) |              | ERH = 4.0L Power Tech | DDD = 5 Speed HD Manual      |
| M = X                     |                        |              |                       | DG0 = Auto. Trans.           |
| P = Sahara                |                        |              |                       | DBB = Manual Trans.          |
| S = Rubicon               |                        |              |                       | DDK = 5 Speed Manual         |

AR = Use as required - = Non illustrated part # = New this model year

August 27, 2004

## Crankshaft, Pistons and Flywheel, 2.4L [ED1] Figure 2.4L-410



| ITEM                             | PART NUMBER | QTY | LINE | SERIES | BODY | ENGINE | TRANS | TRIM | DESCRIPTION                                      |
|----------------------------------|-------------|-----|------|--------|------|--------|-------|------|--|
| NOTES:                           |             |     |      |        |      |        |       |      |  |
| SALES CODES:                     |             |     |      |        |      |        |       |      |  |
| [ED1] = 2.4L POWER TECH DOHC I-4 |             |     |      |        |      |        |       |      |  |
| 1                                | 52104 578AD | 1   |      |        |      | ED0    |       |      | FLYWHEEL   |
| 2                                | 6507 240AA  | 8   |      |        |      | ED0    |       |      | SCREW  |
| 3                                | 5093 448AB  | 8   |      |        |      | ED0    |       |      | BEARING KIT, Connecting Rod, Standard            |
| 4                                | 5093 449AA  | 8   |      |        |      | ED0    |       |      | BEARING KIT, Connecting Rod, .025 mm U/S         |
| 5                                | 5093 450AA  | 8   |      |        |      | ED0    |       |      | BEARING KIT, Connecting Rod, .25 mm U/S          |
| 6                                | 5142 303AB  | 4   |      |        |      | ED0    |       |      | PISTON PIN AND ROD                               |
| 7                                | 6503 116    | 8   |      |        |      | ED0    |       |      | BOLT, Connecting Rod                             |
| 8                                | 5073 524AA  | 1   |      |        |      | ED0    |       |      | PISTON RING SET, COMPLETE ENGINE, STD.           |
| -9                               | 5073 524AA  | 1   |      |        |      | ED0    |       |      | PISTON RING SET, COMPLETE ENGINE, STD.           |
| 10                               | 4621 939AB  | 1   |      |        |      | ED0    |       |      | SEAL, Rear Main Crankshaft                       |
| 11                               | 4781 643AA  | 1   |      |        |      | ED0    |       |      | CRANKSHAFT                                       |
| 12                               | 5093 445AA  | 1   |      |        |      | ED0    |       |      | BEARING KIT, Crankshaft Thrust, Std              |
| 13                               | 5093 446AA  | 1   |      |        |      | ED0    |       |      | BEARING KIT, Crankshaft Thrust, .025mm Undersize |
| 14                               | 5093 447AA  | 1   |      |        |      | ED0    |       |      | BEARING KIT, Crankshaft Thrust, .25mm Undersize  |
| 15                               | 5012 582AA  | 8   |      |        |      | ED0    |       |      | BEARING KIT, Crankshaft, Standard                |
| 16                               | 5012 583AA  | 8   |      |        |      | ED0    |       |      | BEARING KIT, Crankshaft, .025mm Undersize        |
| 17                               | 5012 584AA  | 8   |      |        |      | ED0    |       |      | BEARING KIT, Crankshaft, .25mm Undersize         |
| 18                               | 6035 473    | 1   |      |        |      | ED0    |       |      | KEY, Crankshaft Sprocket                         |
| 19                               | 53009 181AB | 1   |      |        |      | ED0    |       |      | BEARING, Pilot                                   |

**JEEP WRANGLER (TJ)**

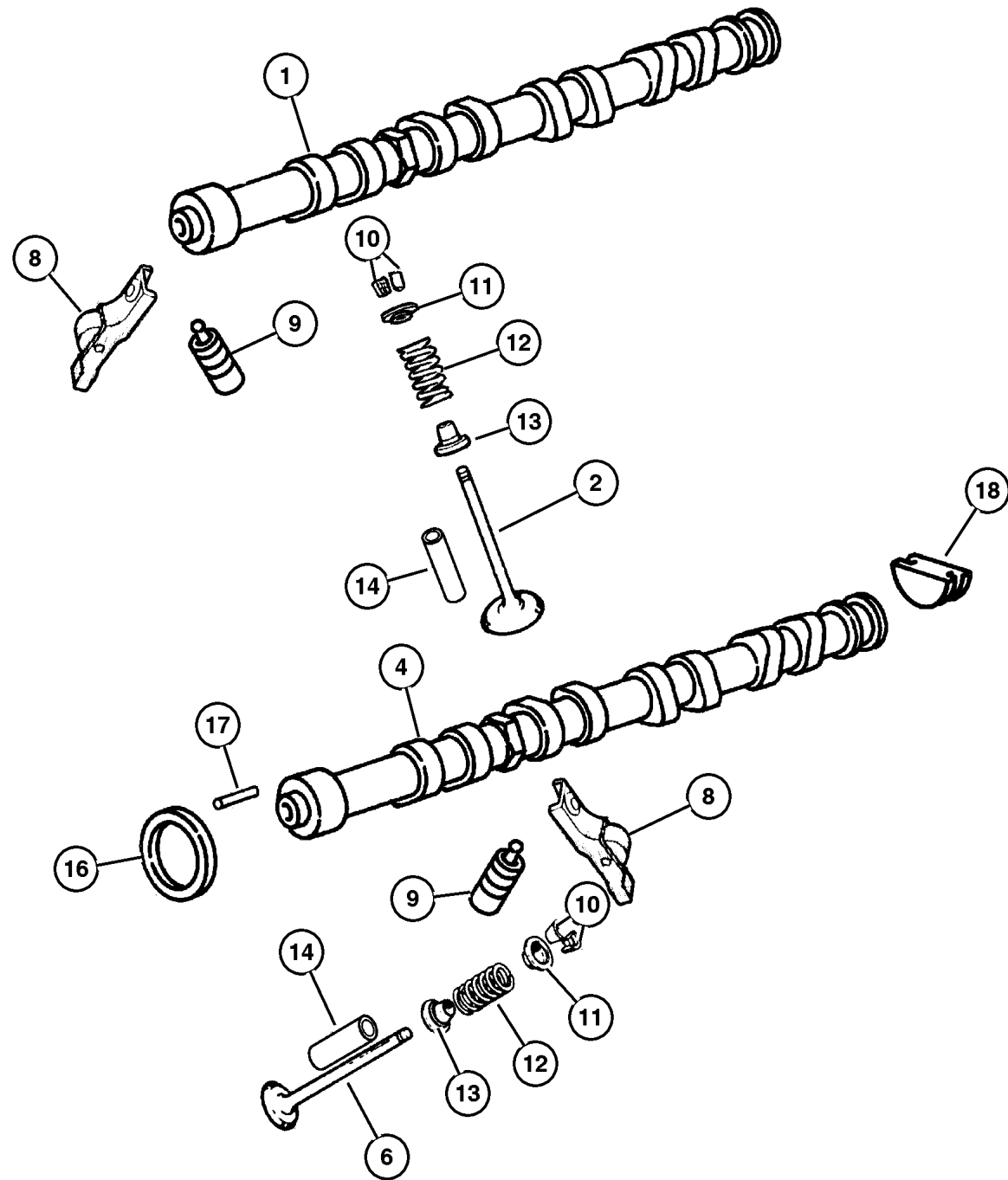
|             |                        |              |                       |                              |
|-------------|------------------------|--------------|-----------------------|------------------------------|
| SERIES      | LINE                   | BODY         | ENGINE                | TRANSMISSION                 |
| H = Sport   | J = Wrangler 4WD       | 77 = 93.4 WB | ED1, ED0 = 2.4L DOHC  | DGG, DGD = 32RH 3 Spd. Auto. |
| L = SE      | U = Wrangler 4WD (RHD) |              | ERH = 4.0L Power Tech | DDD = 5 Speed HD Manual      |
| M = X       |                        |              |                       | DG0 = Auto. Trans.           |
| P = Sahara  |                        |              |                       | DBB = Manual Trans.          |
| S = Rubicon |                        |              |                       | DDK = 5 Speed Manual         |

AR = Use as required - = Non illustrated part # = New this model year

August 27, 2004



**Camshaft and Valves 2.4L [ED1]  
Figure 2.4L-510**



| ITEM                             | PART NUMBER | QTY | LINE | SERIES | BODY | ENGINE | TRANS | TRIM | DESCRIPTION   |
|----------------------------------|-------------|-----|------|--------|------|--------|-------|------|---|
| NOTES:                           |             |     |      |        |      |        |       |      |   |
| SALES CODES:                     |             |     |      |        |      |        |       |      |   |
| [ED1] = 2.4L POWER TECH DOHC I-4 |             |     |      |        |      |        |       |      |   |
| 1                                | 4781 681AB  | 1   |      |        |      | ED0    |       |      | CAMSHAFT, Intake  |
| 2                                | 4667 969AB  | 8   |      |        |      | ED0    |       |      | VALVE, Intake, Standard   |
| -3                               | 4667 970AB  | 8   |      |        |      | ED0    |       |      | VALVE, Intake, .015" O/S  |
| 4                                | 4781 679AB  | 1   |      |        |      | ED0    |       |      | CAMSHAFT, Exhaust   |
| -5                               | 53010 549AB | 1   |      |        |      | ED0    |       |      | RING, Tone  |
| 6                                | 4884 690AA  | 8   |      |        |      | ED0    |       |      | VALVE, Exhaust, Standard  |
| -7                               | 4777 899AA  | 8   |      |        |      | ED0    |       |      | VALVE, Exhaust, .015" O/S   |
| 8                                | 4884 042AA  | 16  |      |        |      | ED0    |       |      | ROCKER ARM, Valve Roller  |
| 9                                | 4777 976AA  | 16  |      |        |      | ED0    |       |      | ADJUSTER, Valve Lash  |
| 10                               | 4777 050AC  | 32  |      |        |      | ED0    |       |      | LOCK, Valve Spring Retainer   |
| 11                               | 4648 682AB  | 16  |      |        |      | ED0    |       |      | RETAINER, Valve Spring  |
| 12                               | 4648 907AA  | 16  |      |        |      | ED0    |       |      | SPRING, Valve   |
| 13                               | 4648 619    | 16  |      |        |      | ED0    |       |      | SEAL, Valve Guide   |
| 14                               |             |     |      |        |      |        |       |      | GUIDE, Intake/Exhaust Valve,<br>Standard Size, (NOT SERVICED)<br>(Not Serviced) |
| -15                              | 4667 411    | 1   |      |        |      | ED0    |       |      | GUIDE, Intake/Exhaust Valve, 7mm<br>Oversize                                    |
| 16                               | 4777 086    | 2   |      |        |      | ED0    |       |      | SEAL, Camshaft  |
| 17                               | 6100 997    | 1   |      |        |      | ED0    |       |      | PIN, Dowel, Exhaust Cam   |
| 18                               | 4667 731    | 1   |      |        |      | ED0    |       |      | PLUG, Camshaft  |

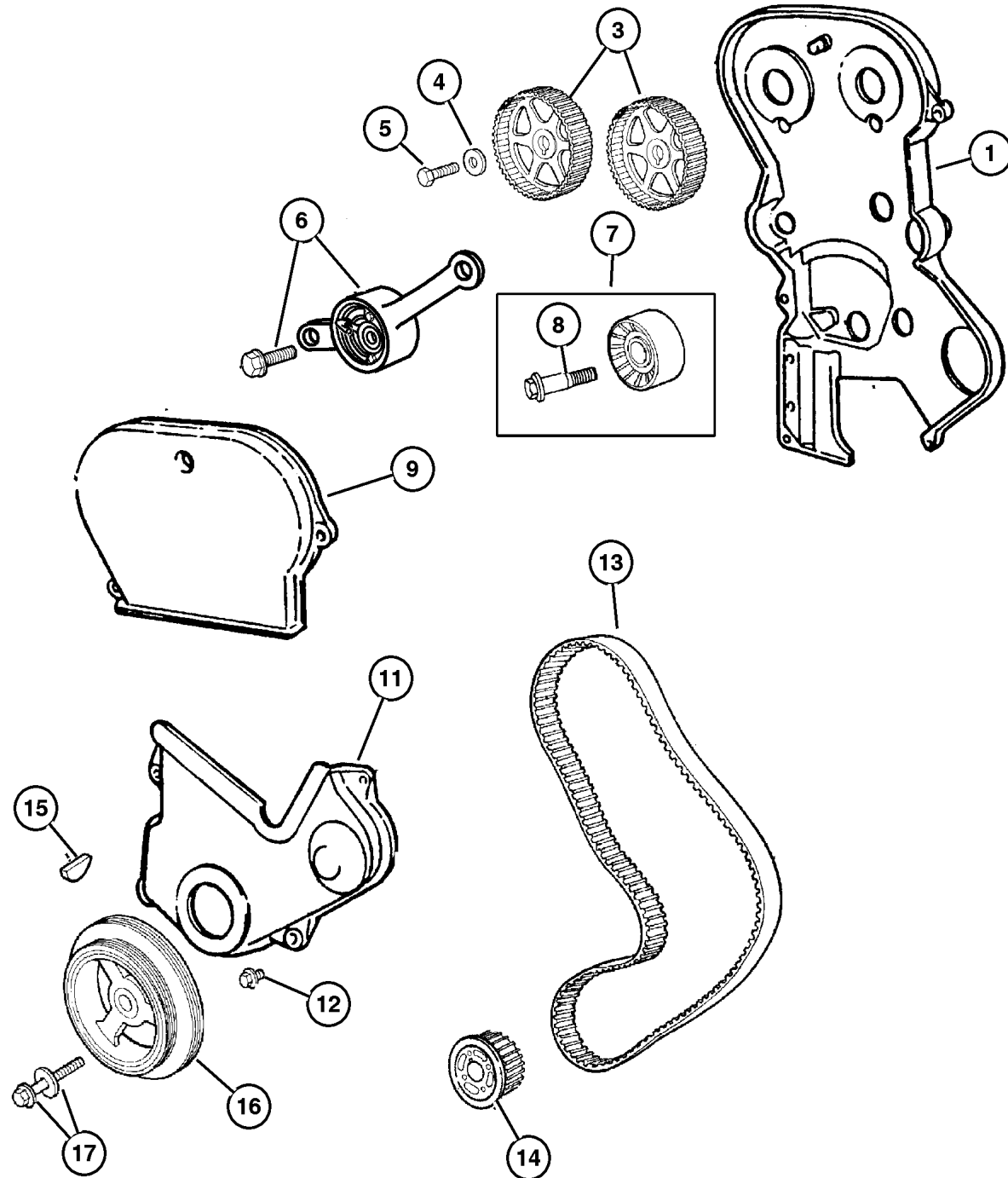
**JEEP WRANGLER (TJ)**

|             |                        |              |                       |                                 |
|-------------|------------------------|--------------|-----------------------|---------------------------------|
| SERIES      | LINE                   | BODY         | ENGINE                | TRANSMISSION                    |
| H = Sport   | J = Wrangler 4WD       | 77 = 93.4 WB | ED1, ED0 = 2.4L DOHC  | DGG, DGD = 32RH 3 Spd.<br>Auto. |
| L = SE      | U = Wrangler 4WD (RHD) |              | ERH = 4.0L Power Tech | DDD = 5 Speed HD Manual         |
| M = X       |                        |              |                       | DG0 = Auto. Trans.              |
| P = Sahara  |                        |              |                       | DBB = Manual Trans.             |
| S = Rubicon |                        |              |                       | DDK = 5 Speed Manual            |

AR = Use as required - = Non illustrated part # = New this model year

August 27, 2004

Timing Belt and Cover, 2.4L [ED1]  
Figure 2.4L-610



| ITEM                             | PART NUMBER | QTY | LINE | SERIES | BODY | ENGINE | TRANS | TRIM | DESCRIPTION  |
|----------------------------------|-------------|-----|------|--------|------|--------|-------|------|--|
| NOTES:                           |             |     |      |        |      |        |       |      |  |
| SALES CODES:                     |             |     |      |        |      |        |       |      |  |
| [ED1] = 2.4L POWER TECH DOHC I-4 |             |     |      |        |      |        |       |      |  |
| 1                                | 53010 482AC | 1   |      |        |      | ED0    |       |      | COVER, Timing Belt                                     |
| -2                               | 6502 926    | 3   |      |        |      | ED0    |       |      | BOLT, Hex Flange Head, M6x1.0x20                       |
| 3                                | 4667 609    | 2   |      |        |      | ED0    |       |      | GEAR, Camshaft   |
| 4                                | 6503 438    | 2   |      |        |      | ED0    |       |      | WASHER, Flared, 13x35.00x4.70                          |
| 5                                | 6501 405    | 2   |      |        |      | ED0    |       |      | BOLT, Hex Head, M12x1.50x52                            |
| 6                                | 4781 570AB  | 1   |      |        |      | ED0    |       |      | TENSIONER, Belt  |
| 7                                | 4781 569AB  | 1   |      |        |      | ED0    |       |      | PULLEY, Idler  |
| 8                                | 6507 550AA  | 1   |      |        |      | ED0    |       |      | BOLT   |
| 9                                | 53010 483AB | 1   |      |        |      | ED0    |       |      | COVER, Timing Belt, Outer                              |
| -10                              | 6101 952    | 5   |      |        |      | ED0    |       |      | SCREW, Hex Flange Head Tapping,<br>M4.8 x 1.59 x 25.00 |
| 11                               | 53010 484AB | 1   |      |        |      | ED0    |       |      | COVER, Timing Belt                                     |
| 12                               | 6101 331    | 1   |      |        |      | ED0    |       |      | BOLT, M6x1.00x20                                       |
| 13                               | 4621 844    | 1   |      |        |      | ED0    |       |      | BELT, Timing   |
| 14                               | 4648 939AA  | 1   |      |        |      | ED0    |       |      | GEAR, Crankshaft                                       |
| 15                               | 6035 473    | 1   |      |        |      | ED0    |       |      | KEY, Crankshaft Sprocket                               |
| 16                               | 53010 477AB | 1   |      |        |      | ED0    |       |      | DAMPER, Crankshaft                                     |
| 17                               | 6503 553    | 1   |      |        |      | ED0    |       |      | BOLT, Hex Flange Head, M12x1.<br>75x87.50              |

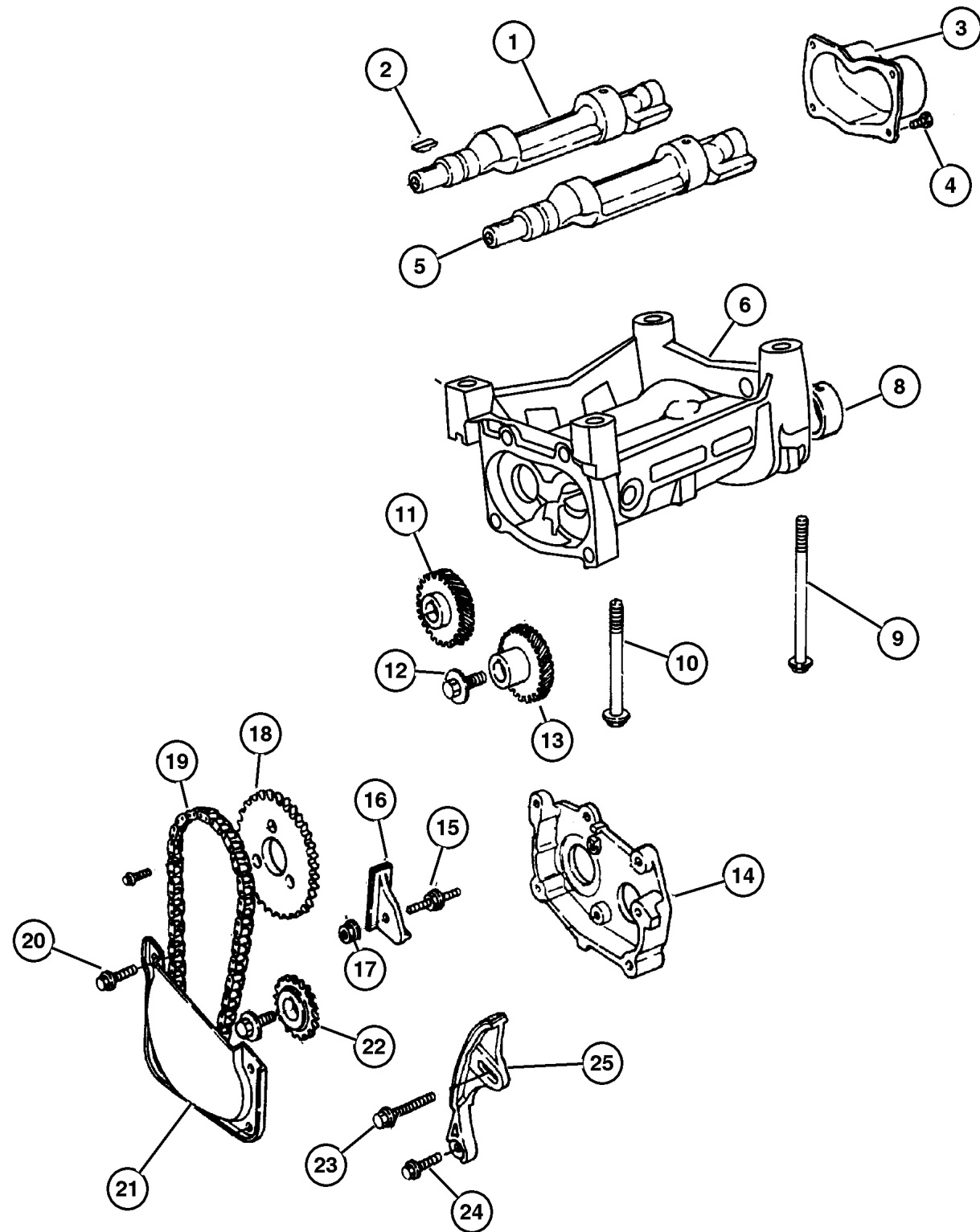
JEEP WRANGLER (TJ)

| SERIES      | LINE                   | BODY         | ENGINE                | TRANSMISSION            |
|-------------|------------------------|--------------|-----------------------|-------------------------|
| H = Sport   | J = Wrangler 4WD       | 77 = 93.4 WB | ED1, ED0 = 2.4L DOHC  | DGG, DGD = 32RH 3 Spd.  |
| L = SE      | U = Wrangler 4WD (RHD) |              | ERH = 4.0L Power Tech | Auto.                   |
| M = X       |                        |              |                       | DDD = 5 Speed HD Manual |
| P = Sahara  |                        |              |                       | DG0 = Auto. Trans.      |
| S = Rubicon |                        |              |                       | DBB = Manual Trans.     |
|             |                        |              |                       | DDK = 5 Speed Manual    |

AR = Use as required - = Non illustrated part # = New this model year

August 27, 2004

**Balance Shafts, 2.4L [ED1]  
Figure 2.4L-620**



| ITEM                             | PART NUMBER | QTY | LINE | SERIES | BODY | ENGINE | TRANS | TRIM | DESCRIPTION   |
|----------------------------------|-------------|-----|------|--------|------|--------|-------|------|---|
| NOTES:                           |             |     |      |        |      |        |       |      |   |
| SALES CODES:                     |             |     |      |        |      |        |       |      |   |
| [ED1] = 2.4L POWER TECH DOHC I-4 |             |     |      |        |      |        |       |      |   |
| 1                                | 4621 517    | 1   |      |        |      | ED0    |       |      | SHAFT, Balance, Driver  |
| 2                                | 6500 150    | 2   |      |        |      | ED0    |       |      | KEY, Crankshaft Sprocket  |
| 3                                | 4323 043    | 1   |      |        |      | ED0    |       |      | COVER, Balance Shaft Carrier  |
| 4                                | 6101 452    | 4   |      |        |      | ED0    |       |      | SCREW AND WASHER, Hex Head, M8x1.25x20  |
| 5                                | 4621 518    | 1   |      |        |      | ED0    |       |      | SHAFT, Balance, Driven  |
| 6                                | 4621 519AE  | 1   |      |        |      | ED0    |       |      | CARRIER, Balance Shaft  |
| -7                               | 5203 466    | 2   |      |        |      | ED0    |       |      | PIN, Dowel  |
| 8                                |             |     |      |        |      |        |       |      | BEARING, Balance Shaft, Sevised With Carrier, Item 6, (NOT SERVICED) (Not Serviced) |
| 9                                | 6504 878AA  | 2   |      |        |      | ED0    |       |      | BOLT  |
| 10                               | 6503 389    | 2   |      |        |      | ED0    |       |      | BOLT, Hex Flange Head, M10x1.50x108   |
| 11                               | 4621 952    | 1   |      |        |      | ED0    |       |      | GEAR, Balance Shaft Driver  |
| 12                               | 6501 404    | 2   |      |        |      | ED0    |       |      | SCREW AND WASHER, Hex Head, M8x1.25x25  |
| 13                               | 4621 951    | 1   |      |        |      | ED0    |       |      | GEAR, Balance Shaft Driven  |
| 14                               | 4323 039    | 1   |      |        |      | ED0    |       |      | COVER, Balance Shaft Gear   |
| 15                               | 6505 188AA  | 1   |      |        |      | ED0    |       |      | STUD, M6x1.00x40.00   |
| 16                               | 4884 472AA  | 1   |      |        |      | ED0    |       |      | GUIDE, Balance Shaft Chain  |
| 17                               | 6100 047    | 1   |      |        |      | ED0    |       |      | NUT AND WASHER, Hex Nut-Coned Washer, M6 x 1.00                                     |
| 18                               | 4621 541    | 1   |      |        |      | ED0    |       |      | GEAR, Crankshaft  |
| 19                               | 4621 996    | 1   |      |        |      | ED0    |       |      | CHAIN, Balance Shaft  |
| 20                               | 6100 271    | 2   |      |        |      | ED0    |       |      | BOLT AND CONED WASHER, Hex Head, M6x45x12.5   |
| 21                               | 4323 041AD  | 1   |      |        |      | ED0    |       |      | TROUGH, Carrier Cover   |
| 22                               | 4483 485    | 1   |      |        |      | ED0    |       |      | GEAR, Balance Shaft   |
| 23                               | 6100 279    | 1   |      |        |      | ED0    |       |      | SCREW AND WASHER, Hex Head, M6x1x35   |
| 24                               | 6508 008AA  | 1   |      |        |      | ED0    |       |      | SCREW, Hex Flange Head  |
| 25                               | 4884 473AA  | 1   |      |        |      | ED0    |       |      | TENSIONER, Chain  |

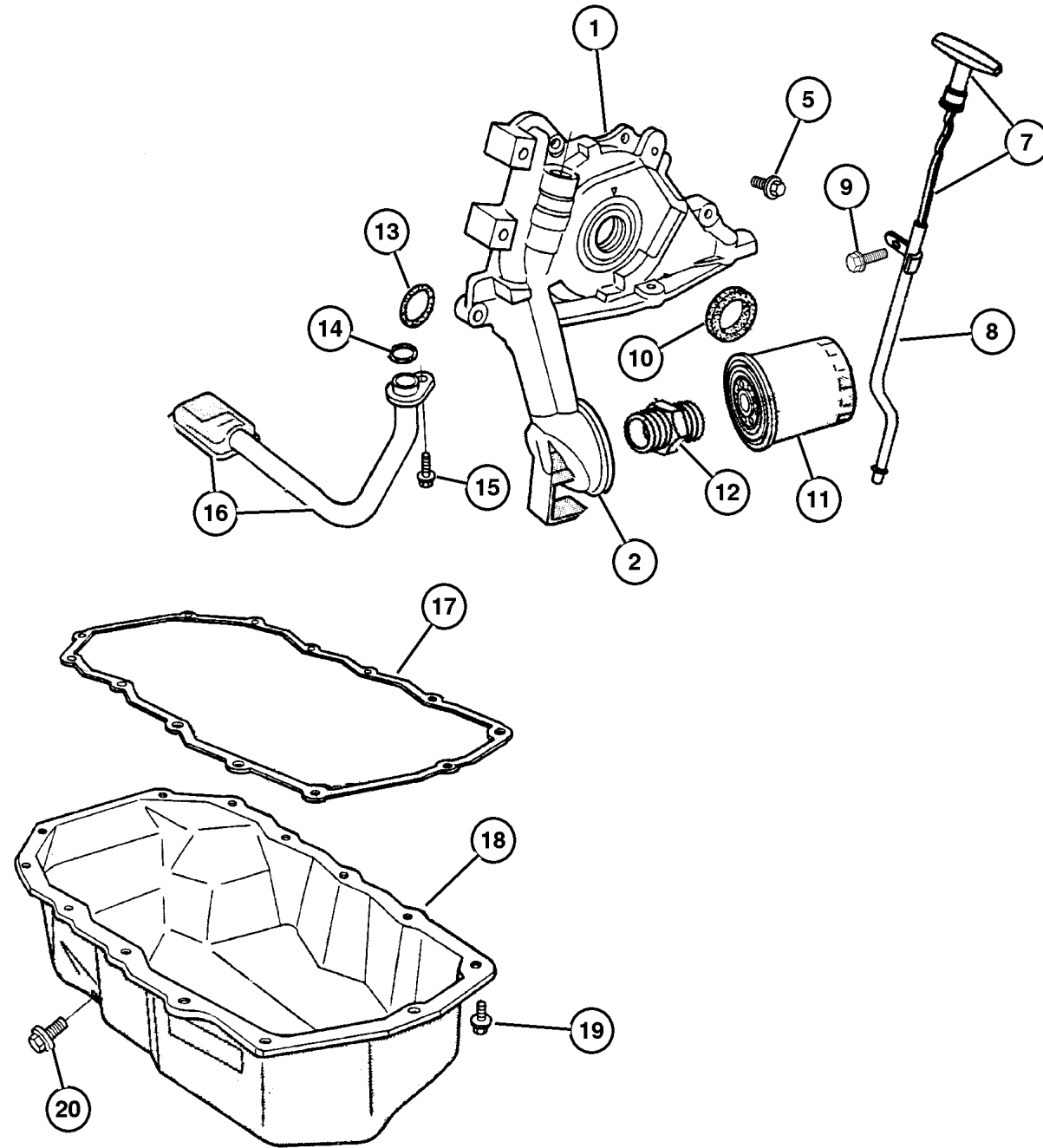
**JEEP WRANGLER (TJ)**

|             |                        |              |                       |                              |
|-------------|------------------------|--------------|-----------------------|------------------------------|
| SERIES      | LINE                   | BODY         | ENGINE                | TRANSMISSION                 |
| H = Sport   | J = Wrangler 4WD       | 77 = 93.4 WB | ED1, ED0 = 2.4L DOHC  | DGG, DGD = 32RH 3 Spd. Auto. |
| L = SE      | U = Wrangler 4WD (RHD) |              | ERH = 4.0L Power Tech | DDD = 5 Speed HD Manual      |
| M = X       |                        |              |                       | DG0 = Auto. Trans.           |
| P = Sahara  |                        |              |                       | DBB = Manual Trans.          |
| S = Rubicon |                        |              |                       | DDK = 5 Speed Manual         |

AR = Use as required - = Non illustrated part # = New this model year

August 27, 2004

**Engine Oiling, 2.4L [ED1]  
Figure 2.4L-710**



| ITEM                             | PART NUMBER | QTY | LINE | SERIES | BODY | ENGINE | TRANS | TRIM | DESCRIPTION                            |
|----------------------------------|-------------|-----|------|--------|------|--------|-------|------|--|
| NOTES:                           |             |     |      |        |      |        |       |      |  |
| SALES CODES:                     |             |     |      |        |      |        |       |      |  |
| [ED1] = 2.4L POWER TECH DOHC I-4 |             |     |      |        |      |        |       |      |  |
| 1                                | 53010 487AA | 1   |      |        |      | ED0    |       |      | PUMP, Engine Oil                       |
| 2                                | 53010 507AA | 1   |      |        |      | ED0    |       |      | ADAPTER, Oil Filter                    |
| -3                               |             |     |      |        |      |        |       |      | GUARD, Splash, (NOT REQUIRED)          |
| -4                               |             |     |      |        |      |        |       |      | NUT, (NOT REQUIRED)                    |
| 5                                | 6100 296    | 3   |      |        |      | ED0    |       |      | BOLT, Hex Head                         |
| -6                               | 6503 257    | 4   |      |        |      | ED0    |       |      | BOLT, Hex Head, M8x1.25x37.50          |
| 7                                | 53010 494AC | 1   |      |        |      | ED0    |       |      | INDICATOR, Engine Oil Level            |
| 8                                | 53010 476AB | 1   |      |        |      | ED0    |       |      | TUBE, Oil Filler                       |
| 9                                | 6505 788AA  | 1   |      |        |      | ED0    |       |      | STUD                                   |
| 10                               | 4667 198    | 1   |      |        |      | ED0    |       |      | SEAL, Front Main Crankshaft            |
| 11                               | 4105 409    | 1   |      |        |      | ED0    |       |      | FILTER, Engine Oil                     |
| 12                               | 4694 119    | 1   |      |        |      | ED0    |       |      | CONNECTOR, Oil Filter Adapter          |
| 13                               | 4483 444AB  | 3   |      |        |      | ED0    |       |      | O RING, Front Cover Oil Inlet          |
| 14                               | 6032 920    | 1   |      |        |      | ED0    |       |      | SEAL, Oil Pick Up Tube                 |
| 15                               | 6500 070    | 1   |      |        |      | ED0    |       |      | SCREW AND WASHER, Hex Head, M8x1.25x25 |
| 16                               | 53010 488AA | 1   |      |        |      | ED0    |       |      | TUBE, Oil Pickup                       |
| 17                               | 4621 579    | 1   |      |        |      | ED0    |       |      | GASKET, Oil Pan                        |
| 18                               | 53010 491AA | 1   |      |        |      | ED0    |       |      | PAN, Engine Oil                        |
| 19                               | 6503 969    | 11  |      |        |      | ED0    |       |      | BOLT, Hex Flange Head, M6x1.00x17      |
| 20                               | 6035 417    | 1   |      |        |      | ED0    |       |      | PLUG, Oil Drain                        |

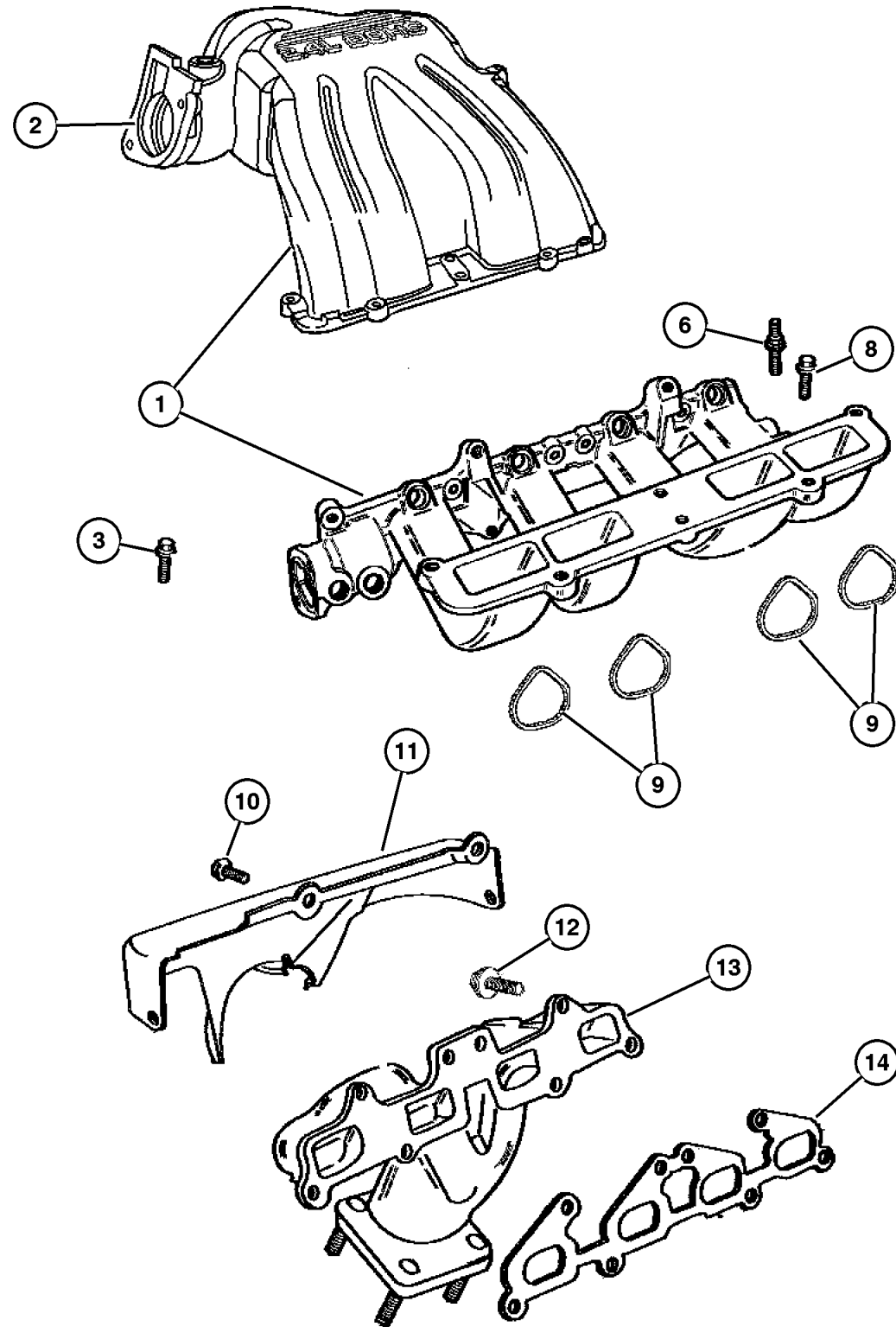
**JEEP WRANGLER (TJ)**

|             |                        |              |                       |                              |
|-------------|------------------------|--------------|-----------------------|------------------------------|
| SERIES      | LINE                   | BODY         | ENGINE                | TRANSMISSION                 |
| H = Sport   | J = Wrangler 4WD       | 77 = 93.4 WB | ED1, ED0 = 2.4L DOHC  | DGG, DGD = 32RH 3 Spd. Auto. |
| L = SE      | U = Wrangler 4WD (RHD) |              | ERH = 4.0L Power Tech | DDD = 5 Speed HD Manual      |
| M = X       |                        |              |                       | DG0 = Auto. Trans.           |
| P = Sahara  |                        |              |                       | DBB = Manual Trans.          |
| S = Rubicon |                        |              |                       | DDK = 5 Speed Manual         |

AR = Use as required - = Non illustrated part # = New this model year

August 27, 2004

**Intake and Exhaust Manifolds, 2.4L [ED1]  
Figure 2.4L-810**



| ITEM                             | PART NUMBER | QTY | LINE | SERIES | BODY | ENGINE | TRANS | TRIM | DESCRIPTION                            |
|----------------------------------|-------------|-----|------|--------|------|--------|-------|------|--|
| NOTES:                           |             |     |      |        |      |        |       |      |  |
| SALES CODES:                     |             |     |      |        |      |        |       |      |  |
| [ED1] = 2.4L POWER TECH DOHC I-4 |             |     |      |        |      |        |       |      |  |
| 1                                | 53013 664AA | 1   |      |        |      | ED0    |       |      | MANIFOLD, Intake                       |
| 2                                | 53013 533AA | 1   |      |        |      | ED0    |       |      | GASKET, Throttle Body To Intake        |
| 3                                | 6101 451    | 3   |      |        |      | ED0    |       |      | SCREW AND WASHER, Hex Head, M6x1x25    |
| -4                               | 6102 192AA  | 1   |      |        |      | ED0    |       |      | SCREW, Intake Manifold                 |
| -5                               | 6101 506    | 2   |      |        |      | ED0    |       |      | BOLT AND CONED WASHER, M8x1.25x18      |
| 6                                | 6504 171    | 3   |      |        |      | ED0    |       |      | SCREW, Hex Flange Head, M8x1.25x32     |
| -7                               | 6101 452    | 4   |      |        |      | ED0    |       |      | SCREW AND WASHER, Hex Head, M8x1.25x20 |
| 8                                | 6506 770AA  | 5   |      |        |      | ED0    |       |      | SCREW                                  |
| 9                                | 53013 534AA | 4   |      |        |      | ED0    |       |      | GASKET, Intake Manifold                |
| 10                               | 6506 663AA  | 3   |      |        |      | ED0    |       |      | SCREW, Hex Flange Head, M8x1.25x11     |
| 11                               | 53013 264AA | 1   |      |        |      | ED0    |       |      | SHIELD, Exhaust Manifold               |
| 12                               | 6503 131    | 10  |      |        |      | ED0    |       |      | BOLT, Hex Flange Head, M8x1.25x30      |
| 13                               | 53013 263AB | 1   |      |        |      | ED0    |       |      | MANIFOLD, Exhaust                      |
| 14                               | 4781 255AA  | 1   |      |        |      | ED0    |       |      | GASKET, Exhaust Manifold               |

**JEEP WRANGLER (TJ)**

|             |                        |              |                       |                              |
|-------------|------------------------|--------------|-----------------------|------------------------------|
| SERIES      | LINE                   | BODY         | ENGINE                | TRANSMISSION                 |
| H = Sport   | J = Wrangler 4WD       | 77 = 93.4 WB | ED1, ED0 = 2.4L DOHC  | DGG, DGD = 32RH 3 Spd. Auto. |
| L = SE      | U = Wrangler 4WD (RHD) |              | ERH = 4.0L Power Tech | DDD = 5 Speed HD Manual      |
| M = X       |                        |              |                       | DG0 = Auto. Trans.           |
| P = Sahara  |                        |              |                       | DBB = Manual Trans.          |
| S = Rubicon |                        |              |                       | DDK = 5 Speed Manual         |

AR = Use as required - = Non illustrated part # = New this model year

August 27, 2004

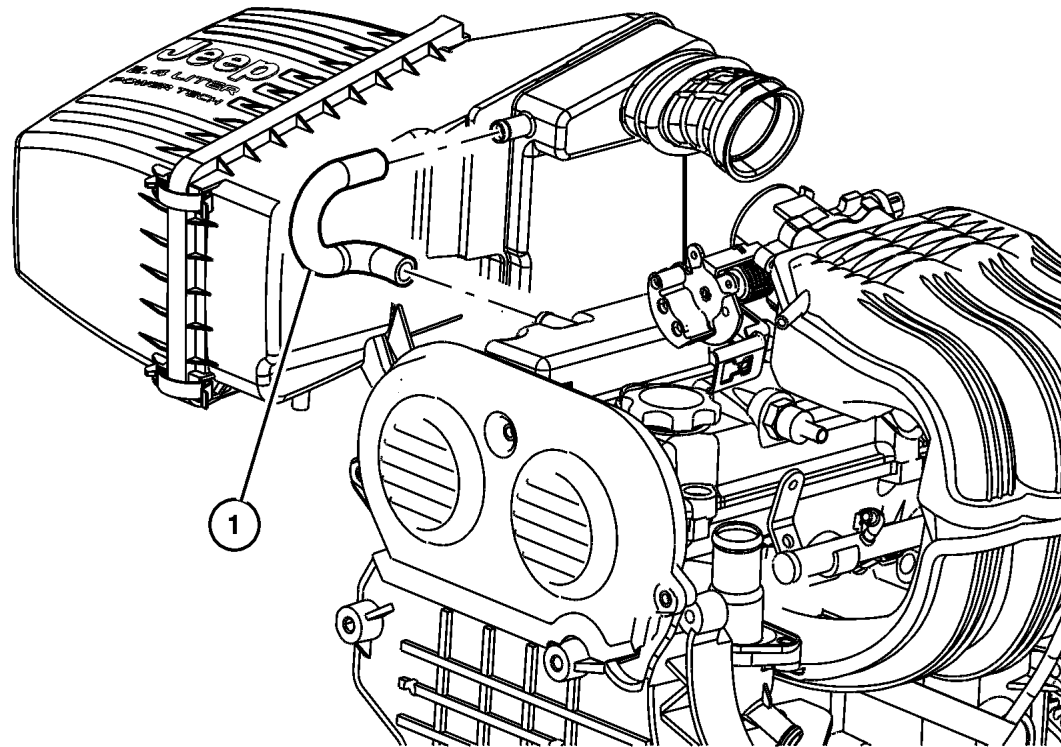
**Crankcase Ventilation,204L [ED!]  
Figure 2.4L-910**

| ITEM | PART NUMBER | QTY | LINE | SERIES | BODY | ENGINE | TRANS | TRIM | DESCRIPTION |
|------|-------------|-----|------|--------|------|--------|-------|------|-------------|
|------|-------------|-----|------|--------|------|--------|-------|------|-------------|

Note; Sales Codes

[ED0]= All 2.2L, 2.4L and 2.5L 4 Cylinder Gas Engines

|    |             |   |  |  |  |     |  |  |                                     |
|----|-------------|---|--|--|--|-----|--|--|-------------------------------------|
| 1  | 53013 093AA | 1 |  |  |  | ED0 |  |  | TUBE, Crankcase Vent To Air Cleaner |
| -2 | 4777 240AD  | 1 |  |  |  | ED0 |  |  | VALVE, PCV                          |
| -3 | 53013 231AA | 1 |  |  |  | ED0 |  |  | HARNESS, CCV to Intake Manifold     |



**JEEP WRANGLER (TJ)**

|             |                        |              |                       |                              |
|-------------|------------------------|--------------|-----------------------|------------------------------|
| SERIES      | LINE                   | BODY         | ENGINE                | TRANSMISSION                 |
| H = Sport   | J = Wrangler 4WD       | 77 = 93.4 WB | ED1, ED0 = 2.4L DOHC  | DGG, DGD = 32RH 3 Spd. Auto. |
| L = SE      | U = Wrangler 4WD (RHD) |              | ERH = 4.0L Power Tech | DDD = 5 Speed HD Manual      |
| M = X       |                        |              |                       | DG0 = Auto. Trans.           |
| P = Sahara  |                        |              |                       | DBB = Manual Trans.          |
| S = Rubicon |                        |              |                       | DDK = 5 Speed Manual         |

AR = Use as required - = Non illustrated part # = New this model year

August 27, 2004

# Group – 4.0L

## Engine 4.0L Six Cylinder

### GROUP 4.0L - Engine 4.0L Six Cylinder

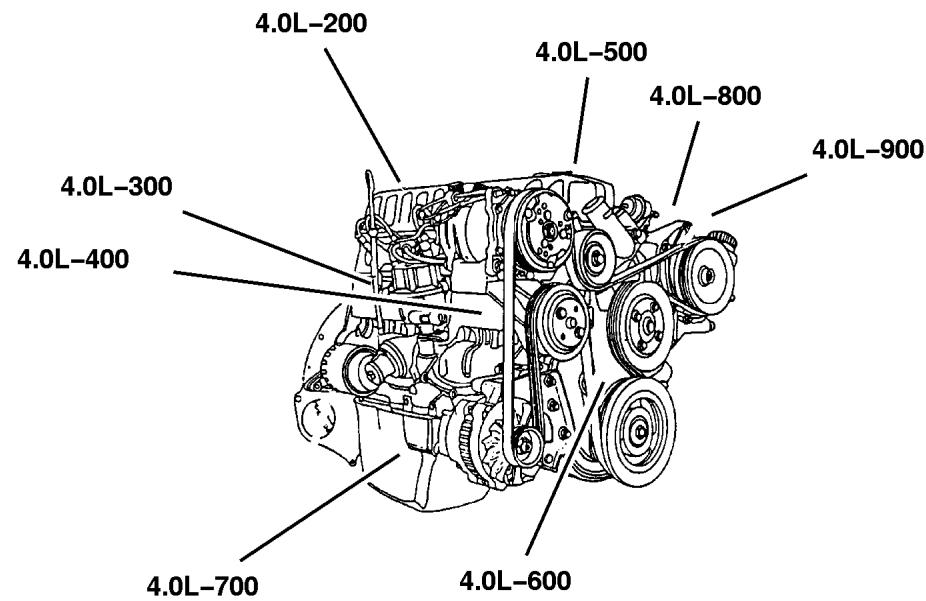


Illustration Title

Group-Fig. No.

#### Cylinder Head

Cylinder Head, 4.0L (ERH) ..... Fig. 4.0L-210

#### Cylinder Block

Cylinder Block, 4.0L (ERH) ..... Fig. 4.0L-310

#### Crankshaft, Piston and Torque Converter

Crankshaft, Piston and Torque Converter, 4.0L (ERH) ..... Fig. 4.0L-410

#### Camshafts & Valves

Camshaft and Valves, 4.0L (ERH) ..... Fig. 4.0L-510

#### Timing Belt and Cover

Timing Cover, 4.0L (ERH) ..... Fig. 4.0L-610

#### Engine Oiling

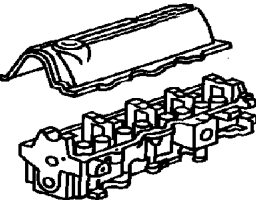
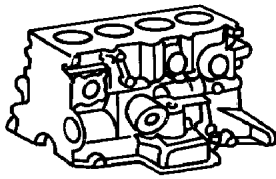
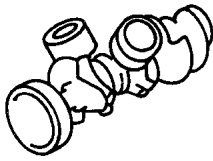
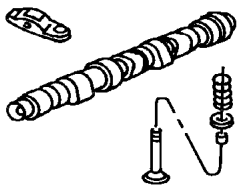
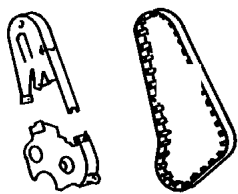
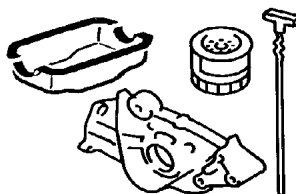
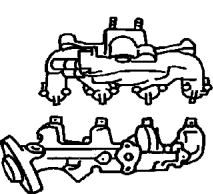
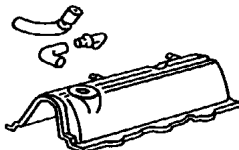
Engine Oiling, 4.0L (ERH) ..... Fig. 4.0L-710

#### Manifolds

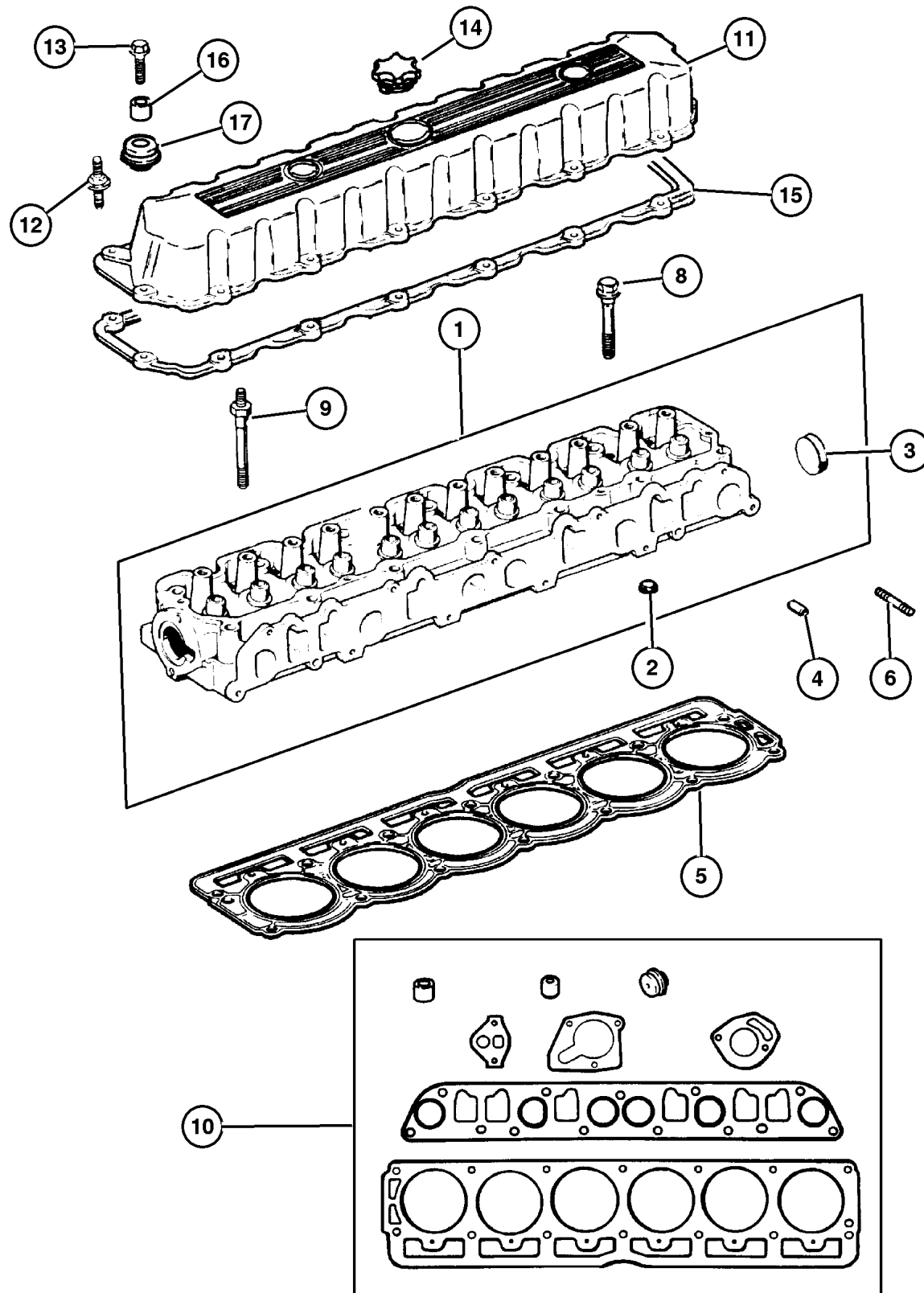
Manifold, Intake and Exhaust ..... Fig. 4.0L-810

#### Crankcase Ventilation

Crankcase Ventilation, 4.0L [ERH] ..... Fig. 4.0L-910

|  |   |   |   |
|--|---|---|---|
| <p><b>4.0L-200</b><br/>Cylinder Head</p>          | <p><b>4.0L-300</b><br/>Cylinder Block</p>  | <p><b>4.0L-400</b><br/>Crankshaft, Piston and Torque Converter</p>  | <p><b>4.0L-500</b><br/>Camshafts &amp; Valves</p>  |
| <p><b>4.0L-600</b><br/>Timing Belt and Cover</p>  | <p><b>4.0L-700</b><br/>Engine Oiling</p>   | <p><b>4.0L-800</b><br/>Manifolds</p>                                | <p><b>4.0L-900</b><br/>Crankcase Ventilation</p>   |

**Cylinder Head, 4.0L (ERH)  
Figure 4.0L-210**



**NOTE:**

**SALES CODES:**

[ER0] = All 4.0L 6 Cylinder Gas Engines

[DBB] = All Manual Transmissions

[DG0] = All Automatic Transmissions

| ITEM | PART NUMBER | QTY | LINE | SERIES | BODY | ENGINE | TRANS | TRIM | DESCRIPTION                                |
|------|-------------|-----|------|--------|------|--------|-------|------|--|
| 1    | 5301 0334   | 1   |      |        |      | ER0    |       |      | HEAD, Cylinder                             |
| 2    | J400 7434   | 4   |      |        |      | ER0    |       |      | PLUG, Cylinder Block Oil Hole              |
| 3    | J310 5394   | 1   |      |        |      | ER0    |       |      | PLUG, Cylinder Block Oil Hole              |
| 4    | J317 2318   | 2   |      |        |      | ER0    |       |      | DOWEL, Cylinder Head To Intake             |
| 5    | 53010 587AA | 1   |      |        |      | ER0    |       |      | GASKET, Cylinder Head                      |
| 6    | 6036 193AA  | 2   |      |        |      | ER0    |       |      | STUD, .375-16/.375-24x1.75                 |
| 7    | 6036 162AA  | 1   |      |        |      | ER0    |       |      | STUD, Double Ended, [.500-13/.437-14x6.00] |
| 8    |             |     |      |        |      |        |       |      | BOLT, Cylinder Head                        |
|      | 6035 514    | 5   |      |        |      | ER0    |       |      |  |
|      | 6035 515    | 2   |      |        |      | ER0    |       |      |  |
| 9    | 6035 516    | 6   |      |        |      | ER0    |       |      | STUD, Double Ended, .50-13/.437-14x6.00    |
| 10   | 5012 365AC  | 1   |      |        |      | ER0    |       |      | GASKET PACKAGE, Engine Upper               |
| 11   | 53020 323AB | 1   |      |        |      | ER0    |       |      | COVER, Cylinder Head                       |
| 12   | 6035 968AA  | 3   |      |        |      | ER0    |       |      | STUD, .250-20x2.00                         |
| 13   | 6035 566    | 12  |      |        |      | ER0    |       |      | BOLT, Hex Flange Head, .250-20x1.00        |
| 14   | 4648 831AA  | 1   |      |        |      | ER0    |       |      | CAP, Oil Filler                            |
| 15   | 53020 758AC | 1   |      |        |      | ER0    |       |      | GASKET, Valve Cover                        |
| 16   | 53020 598AB | 15  |      |        |      | ER0    |       |      | SLEEVE, Torque Limiter                     |
| 17   | 5301 0424   | 15  |      |        |      | ER0    |       |      | GROMMET, Insulator                         |

**JEEP WRANGLER (TJ)**

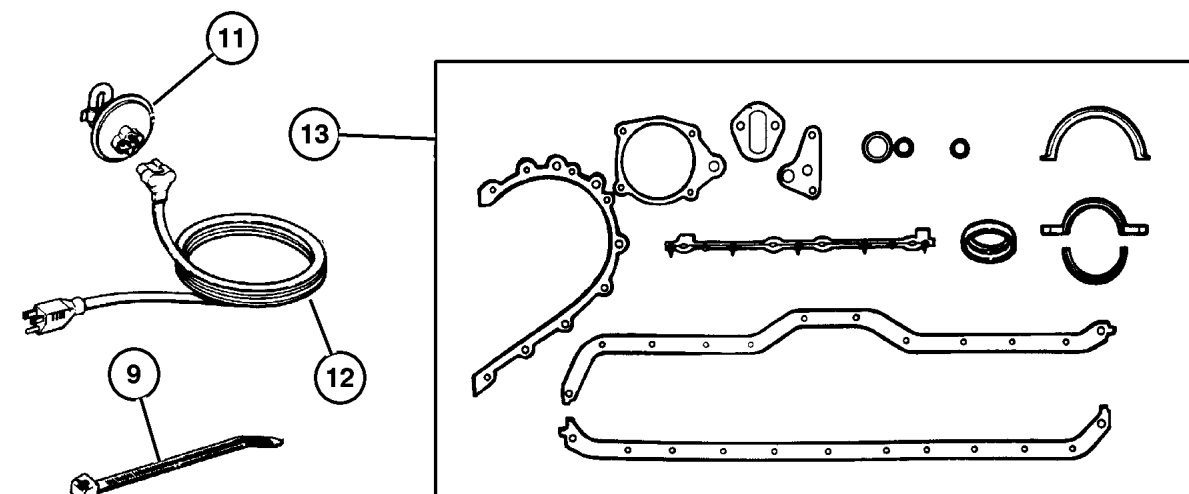
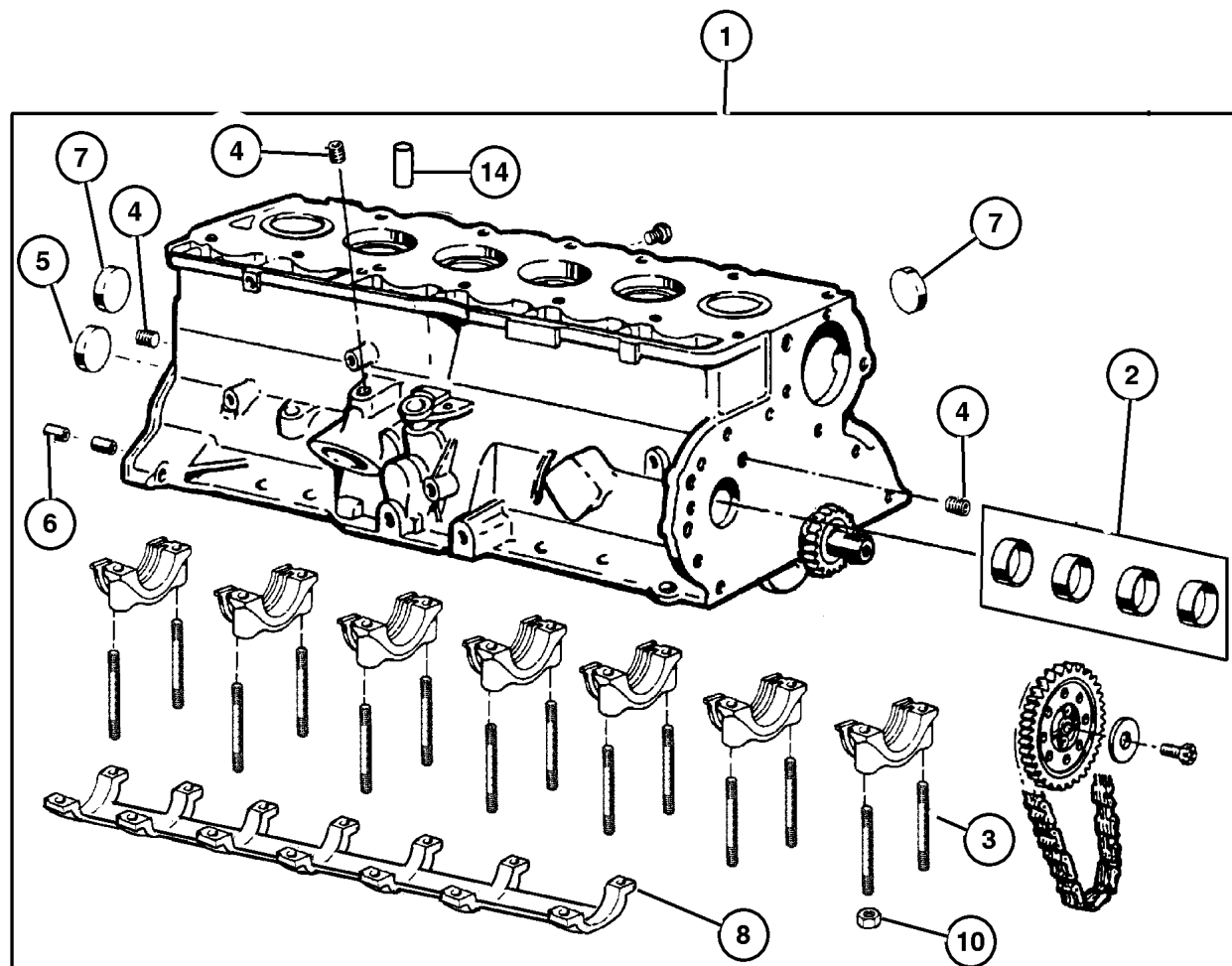
| SERIES      | LINE                   | BODY         | ENGINE                | TRANSMISSION                 |
|-------------|------------------------|--------------|-----------------------|------------------------------|
| H = Sport   | J = Wrangler 4WD       | 77 = 93.4 WB | ED1, ED0 = 2.4L DOHC  | DGG, DGD = 32RH 3 Spd. Auto. |
| L = SE      | U = Wrangler 4WD (RHD) |              | ERH = 4.0L Power Tech | DDD = 5 Speed HD Manual      |
| M = X       |                        |              |                       | DG0 = Auto. Trans.           |
| P = Sahara  |                        |              |                       | DBB = Manual Trans.          |
| S = Rubicon |                        |              |                       | DDK = 5 Speed Manual         |

AR = Use as required - = Non illustrated part # = New this model year

August 27, 2004



**Cylinder Block, 4.0L (ERH)  
Figure 4.0L-310**



| ITEM   | PART NUMBER | QTY | LINE | SERIES | BODY | ENGINE | TRANS | TRIM | DESCRIPTION                                 |
|--|-------------|-----|------|--------|------|--------|-------|------|---|
| NOTE: Short Block contains: Crank, Rods, Pistons, Rings, Cam Bearings, Timing Chain, Sprockets |             |     |      |        |      |        |       |      |   |
| Sales Codes:   |             |     |      |        |      |        |       |      |   |
| [ER0] = All 4.0L 6 Cylinder Gas Engines  |             |     |      |        |      |        |       |      |   |
| 1  | 5013 161AD  | 1   |      |        |      | ER0    |       |      | BLOCK, Short, See Note                      |
| 2  | 4636 985AC  | 1   |      |        |      | ER0    |       |      | BEARING KIT, Camshaft, Standard             |
| 3  | 6035 207    | 14  |      |        |      | ER0    |       |      | STUD, .500-13/.375-16x3.97                  |
| 4  | 6034 166    | 3   |      |        |      | ER0    |       |      | PLUG, Cylinder Block Oil Hole               |
| 5  | 4667 731    | 1   |      |        |      | ED0    |       |      | PLUG, Camshaft                              |
| 6  | J400 5148   | 2   |      |        |      | ER0    |       |      | DOWEL, Transmission                         |
| 7  | J310 5394   | 6   |      |        |      | ER0    |       |      | PLUG, Cylinder Block Oil Hole, Water Jacket |
| 8  | 5302 0566   | 1   |      |        |      | ER0    |       |      | BRACE, Main Bearing Cap                     |
| 9  | 5073 039AA  | 3   |      |        |      | ER0    |       |      | STRAP, Tie                                  |
| 10   | 0152 474    | 14  |      |        |      | ER0    |       |      | NUT, Hex Flange Lock, .375-16               |
| 11   | 8220 1506   | 1   |      |        |      | ER0    |       |      | HEATER PACKAGE, Engine Block                |
| 12   | 5601 6834   | 1   |      |        |      | ER0    |       |      | CORD, Engine Block Heater                   |
| 13   | 5017 432AB  | 1   |      |        |      | ER0    |       |      | GASKET PACKAGE, Engine Lower                |
| 14   | 0141 215    | 2   |      |        |      | ER0    |       |      | DOWEL, .312 x .500                          |
| -15  | 5302 0465   | 1   |      |        |      | ER0    |       |      | PLUG, Cylinder Block, Rubber Style Plug     |

|                           |                        |              |                       |                              |
|---------------------------|------------------------|--------------|-----------------------|------------------------------|
| <b>JEEP WRANGLER (TJ)</b> |                        |              |                       |                              |
| SERIES                    | LINE                   | BODY         | ENGINE                | TRANSMISSION                 |
| H = Sport                 | J = Wrangler 4WD       | 77 = 93.4 WB | ED1, ED0 = 2.4L DOHC  | DGG, DGD = 32RH 3 Spd. Auto. |
| L = SE                    | U = Wrangler 4WD (RHD) |              | ERH = 4.0L Power Tech | DDD = 5 Speed HD Manual      |
| M = X                     |                        |              |                       | DG0 = Auto. Trans.           |
| P = Sahara                |                        |              |                       | DBB = Manual Trans.          |
| S = Rubicon               |                        |              |                       | DDK = 5 Speed Manual         |

AR = Use as required - = Non illustrated part # = New this model year

August 27, 2004

**Crankshaft, Piston and Torque Converter, 4.0L (ERH)  
Figure 4.0L-410**

| ITEM | PART NUMBER | QTY | LINE | SERIES | BODY | ENGINE | TRANS | TRIM | DESCRIPTION |
|------|-------------|-----|------|--------|------|--------|-------|------|-------------|
|------|-------------|-----|------|--------|------|--------|-------|------|-------------|

**NOTE:**

**SALES CODES:**

[ER0] = All 4.0L 6 Cylinder Gas Engines

[DBB] = All Manual Transmissions

[DG0] = All Automatic Transmissions

|    |             |    |  |  |  |     |  |  |  |
|----|-------------|----|--|--|--|-----|--|--|--|
| 1  | 4864 726AD  | 1  |  |  |  | ER0 |  |  | CRANKSHAFT   |
| 2  | 5018 594AA  | 1  |  |  |  | ER0 |  |  | SEAL PACKAGE, Crankshaft                           |
| 3  | 53010 630AB | 1  |  |  |  | ER0 |  |  | FLYWHEEL   |
| 4  | J317 9741   | 1  |  |  |  | ER0 |  |  | GEAR, Ring   |
| 5  | J317 0524   | 6  |  |  |  | ER0 |  |  | BOLT, Flywheel                                     |
| 6  | 53009 180AB | 1  |  |  |  | ER0 |  |  | BEARING, Pilot, Sleeve and Bearing                 |
| 7  | 4736 204AA  | 1  |  |  |  | ER0 |  |  | SLEEVE   |
| 8  | 5302 0123   | 12 |  |  |  | ER0 |  |  | BOLT, Connecting Rod                               |
| 9  | 5302 0443   | 1  |  |  |  | ER0 |  |  | GEAR, Crankshaft                                   |
| 10 | 33002 920AC | 1  |  |  |  | ER0 |  |  | DAMPER, Crankshaft                                 |
| 11 | J400 6385   | 12 |  |  |  | ER0 |  |  | NUT, Hex Flange, .3437-24                          |
| 12 | 6034 749    | 1  |  |  |  | ER0 |  |  | KEY, Crankshaft Sprocket                           |
| 13 | 0182 776    | 1  |  |  |  | ER0 |  |  | BOLT   |
| 14 | J323 0155   | 1  |  |  |  | ER0 |  |  | WASHER, Plain                                      |
| 15 |             |    |  |  |  |     |  |  | SLINGER, Oil, (NOT REQUIRED)                       |
| 16 | 83507 079AB | 6  |  |  |  | ER0 |  |  | BEARING KIT, Crankshaft, Standard                  |
| 17 | 83507 080AB | AR |  |  |  | ER0 |  |  | BEARING KIT, Crankshaft, .001<br>undersize         |
| 18 | 83507 081AB | AR |  |  |  | ER0 |  |  | BEARING KIT, Crankshaft, .002" U/S                 |
| 19 | 83507 084AB | 1  |  |  |  | ER0 |  |  | BEARING KIT, Crankshaft Thrust,<br>Std             |
| 20 | 83507 086AB | AR |  |  |  | ER0 |  |  | BEARING KIT, Crankshaft Thrust,<br>.001" Undersize |
| 21 | 83500 300AC | 12 |  |  |  | ER0 |  |  | BEARING KIT, Connecting Rod,<br>Standard           |
| 22 | 83501 397AC | AR |  |  |  | ER0 |  |  | BEARING KIT, Connecting Rod, .001<br>Undersize     |
| 23 | 83500 301AC | AR |  |  |  | ER0 |  |  | BEARING KIT, Connecting Rod, .010<br>Undersize     |
| 24 | 6504 383    | 4  |  |  |  | ER0 |  |  | BOLT, Hex Head, M10x1.50 x 13.20                   |
| 25 | 4736 448AA  | 1  |  |  |  | ER0 |  |  | PLATE, Drive Plate                                 |
| 26 | J321 4094   | 1  |  |  |  | ER0 |  |  | PLATE, Drive Plate Backing                         |
| 27 | 5093 944AB  | 1  |  |  |  | ER0 |  |  | CONVERTER PACKAGE, Torque                          |
| 28 | J315 1407   | 6  |  |  |  | ER0 |  |  | BOLT, Hex Head, .50-20x.56                         |
| 29 |             |    |  |  |  |     |  |  | PISTON PIN AND ROD<br>B Size, 3.872                |
|    | 4798 329AC  | 6  |  |  |  | ER0 |  |  |  |

**JEEP WRANGLER (TJ)**

**SERIES**

H = Sport

L = SE

M = X

P = Sahara

S = Rubicon

**LINE**

J = Wrangler 4WD

U = Wrangler 4WD (RHD)

**BODY**

77 = 93.4 WB

**ENGINE**

ED1, ED0 = 2.4L DOHC

ERH = 4.0L Power Tech

**TRANSMISSION**

DGG, DGD = 32RH 3 Spd.

Auto.

DDD = 5 Speed HD Manual

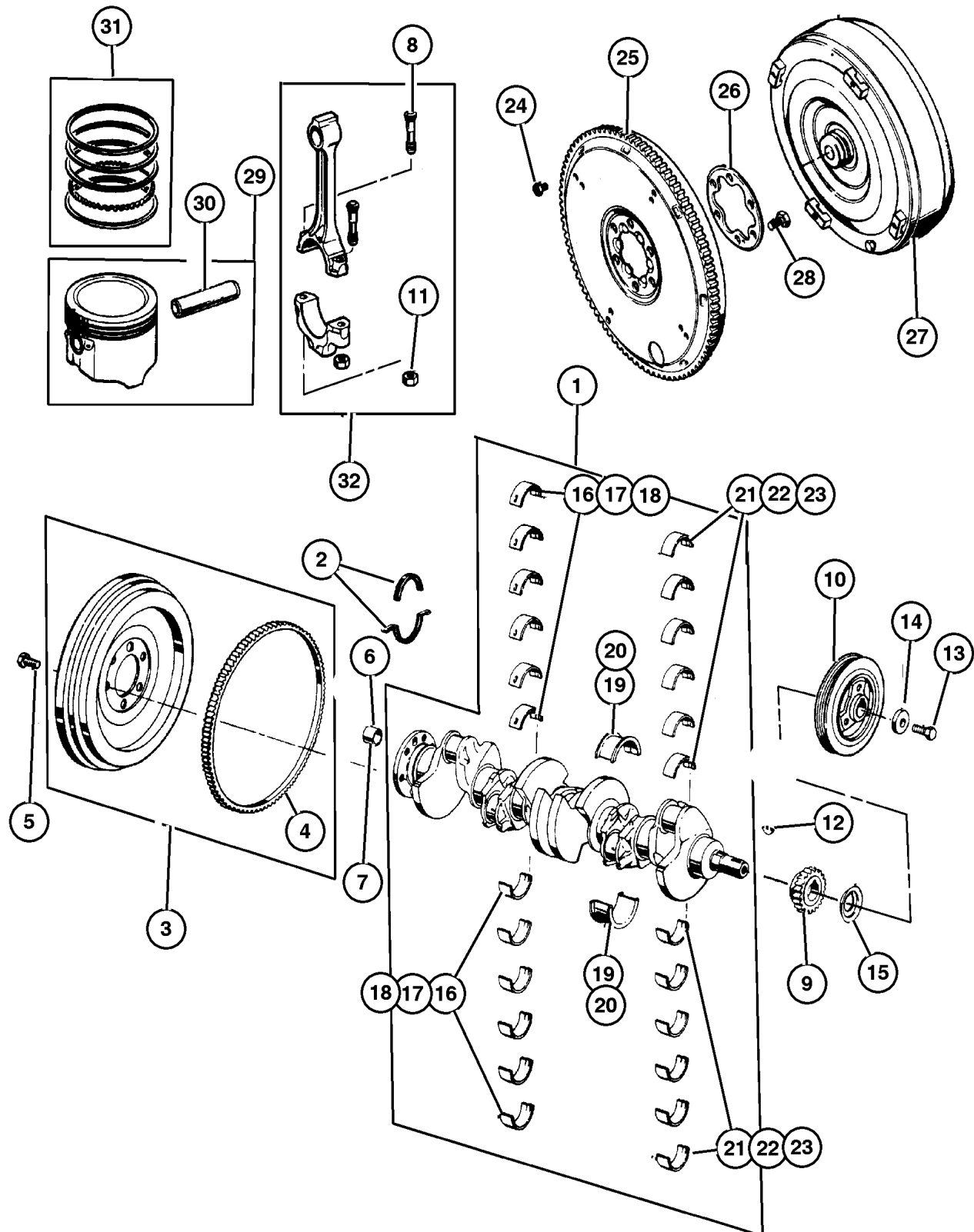
DG0 = Auto. Trans.

DBB = Manual Trans.

DDK = 5 Speed Manual

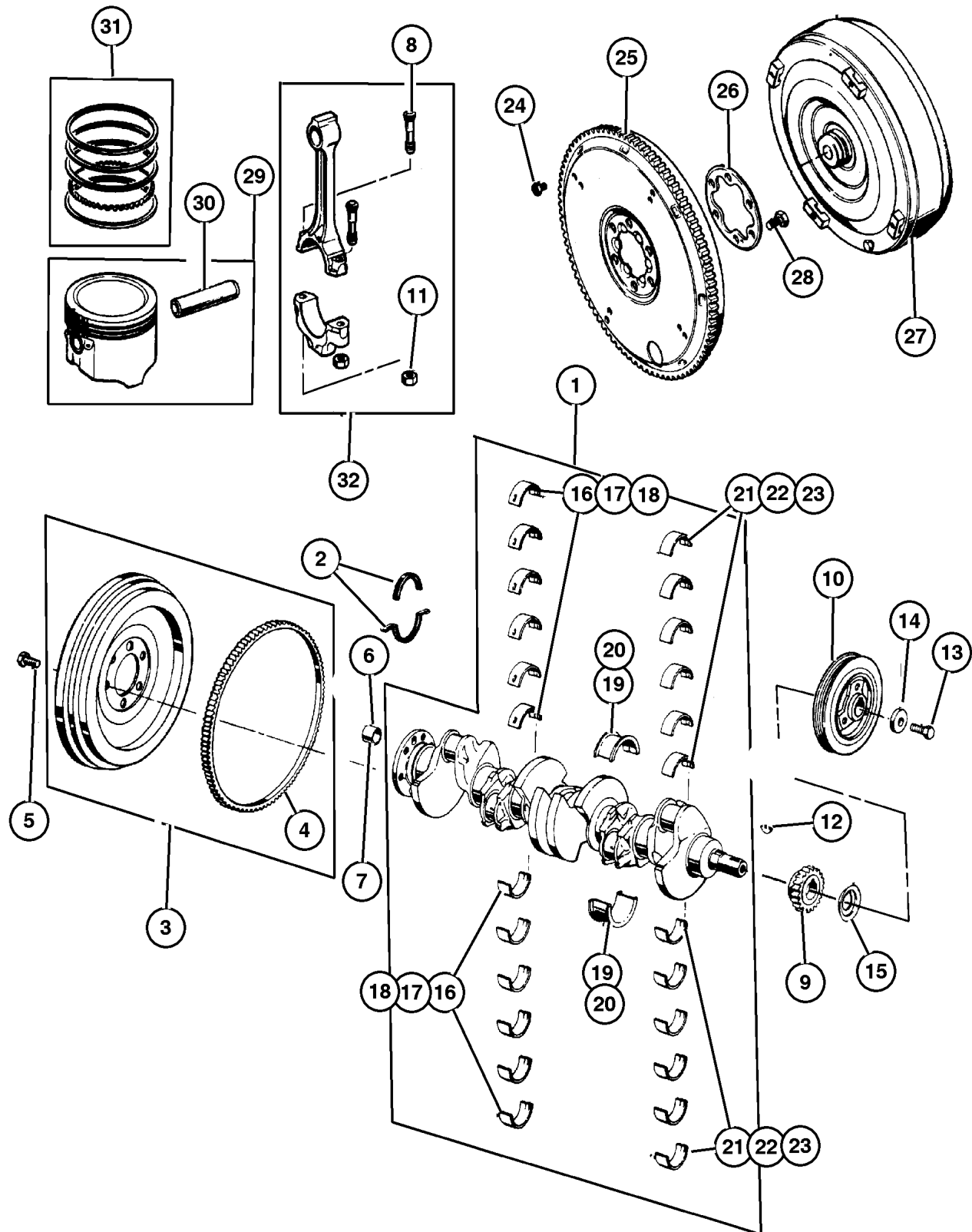
AR = Use as required - = Non illustrated part # = New this model year

August 27, 2004



**Crankshaft, Piston and Torque Converter, 4.0L (ERH)  
Figure 4.0L-410**

| ITEM | PART NUMBER | QTY | LINE | SERIES | BODY | ENGINE | TRANS | TRIM | DESCRIPTION   |
|------|-------------|-----|------|--------|------|--------|-------|------|---|
|      | 4798 330AC  | 6   |      |        |      | ER0    |       |      | C Size, 3.8746  |
|      | 4798 331AC  | 6   |      |        |      | ER0    |       |      | D Size, 3.8750  |
|      | 4798 332AC  | 6   |      |        |      | ER0    |       |      | E Size, 3.8754  |
|      | 4798 333AC  | 6   |      |        |      | ER0    |       |      | F Size, 3.8758  |
| 30   |             |     |      |        |      |        |       |      | PIN, Piston, Serviced in Piston Assembly, (NOT SERVICED) (Not Serviced)     |
| 31   | 4798 878    | 1   |      |        |      | ER0    |       |      | RING PACKAGE, Piston, Standard Size Complete Engine                         |
| 32   |             |     |      |        |      |        |       |      | ROD, Connecting, Serviced in Piston Assembly, (NOT SERVICED) (Not Serviced) |
| -33  | 5018 594AA  | 1   |      |        |      | ER0    |       |      | SEAL PACKAGE, Crankshaft  |

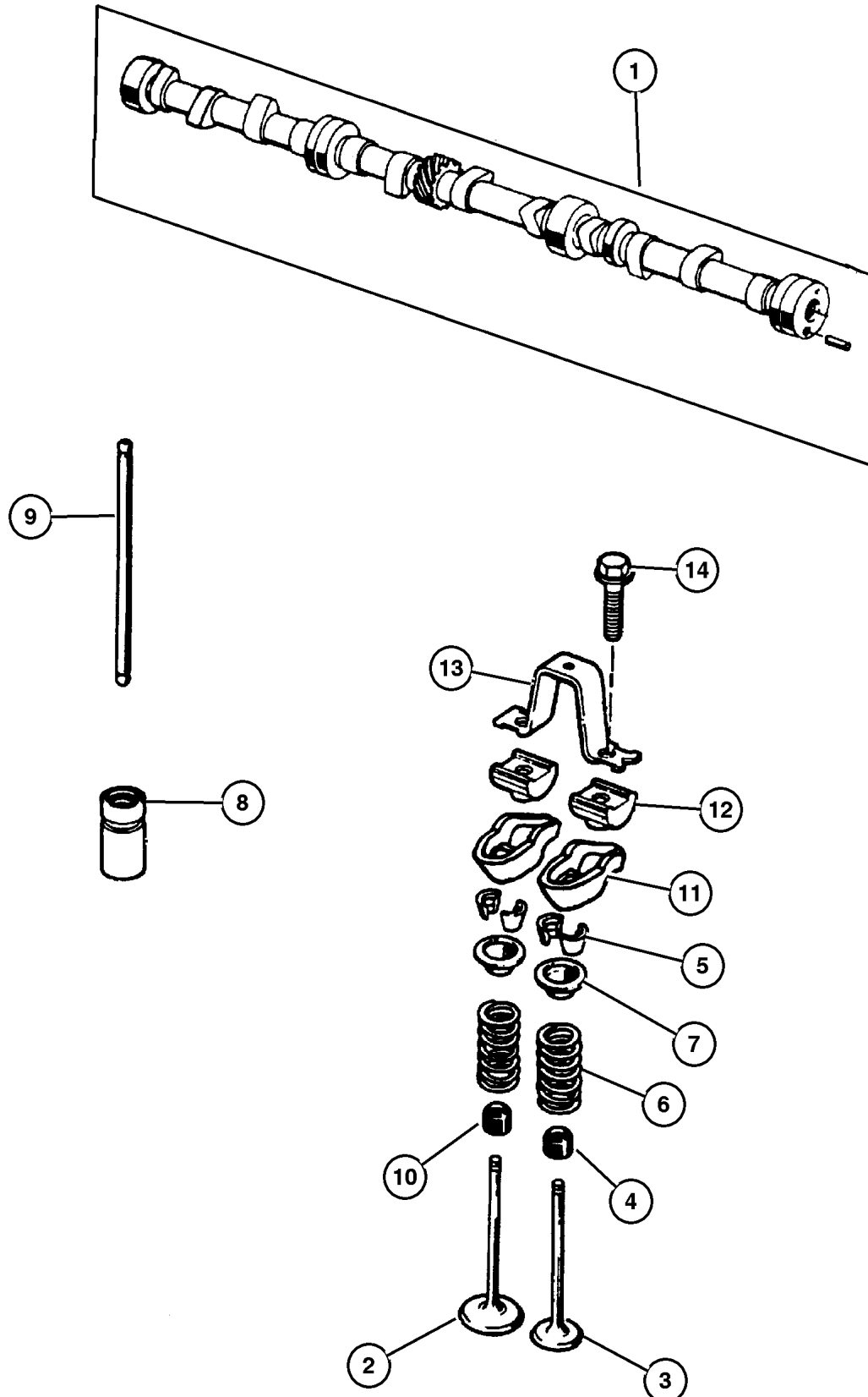


**JEEP WRANGLER (TJ)**  
 SERIES LINE BODY ENGINE TRANSMISSION  
 H = Sport J = Wrangler 4WD 77 = 93.4 WB ED1, ED0 = 2.4L DOHC DGG, DGD = 32RH 3 Spd.  
 L = SE U = Wrangler 4WD (RHD) ERH = 4.0L Power Tech Auto.  
 M = X  
 P = Sahara  
 S = Rubicon  
 DDD = 5 Speed HD Manual  
 DG0 = Auto. Trans.  
 DBB = Manual Trans.  
 DDK = 5 Speed Manual

AR = Use as required - = Non illustrated part # = New this model year

August 27, 2004

Camshaft and Valves, 4.0L (ERH)  
Figure 4.0L-510



| ITEM                                    | PART NUMBER | QTY | LINE | SERIES | BODY | ENGINE | TRANS | TRIM | DESCRIPTION                         |
|---|-------------|-----|------|--------|------|--------|-------|------|-------------------------------------|
| NOTE:                                   |             |     |      |        |      |        |       |      |                                     |
| SALES CODES:                            |             |     |      |        |      |        |       |      |                                     |
| [ER0] = All 4.0L 6 Cylinder Gas Engines |             |     |      |        |      |        |       |      |                                     |
| [DBB] = All Manual Transmissions        |             |     |      |        |      |        |       |      |                                     |
| [DG0] = All Automatic Transmissions     |             |     |      |        |      |        |       |      |                                     |
| 1                                       | 53010 448AA | 1   |      |        |      | ER0    |       |      | CAMSHAFT                            |
| 2                                       | 53010 512AA | 6   |      |        |      | ER0    |       |      | VALVE, Intake, Standard             |
| 3                                       | 53010 513AA | 6   |      |        |      | ER0    |       |      | VALVE, Exhaust, Standard            |
| 4                                       | 5300 9887   | 6   |      |        |      | ER0    |       |      | SEAL, Valve Guide, Exhaust          |
| 5                                       | 53010 515AA | 24  |      |        |      | ER0    |       |      | LOCK, Valve Spring Retainer         |
| 6                                       | 5301 0388   | 12  |      |        |      | ER0    |       |      | SPRING, Valve                       |
| 7                                       | 53010 514AA | 12  |      |        |      | ER0    |       |      | RETAINER, Valve Spring              |
| 8                                       | 53010 574AB | 12  |      |        |      | ER0    |       |      | TAPPET, Valve                       |
| 9                                       | 3300 2986   | 12  |      |        |      | ER0    |       |      | PUSH ROD, Valve                     |
| 10                                      | 5300 9886   | 6   |      |        |      | ER0    |       |      | SEAL, Valve Guide, Intake           |
| 11                                      | J324 2393   | 12  |      |        |      | ER0    |       |      | ROCKER ARM, Valve                   |
| 12                                      | J323 5090   | 12  |      |        |      | ER0    |       |      | PIVOT, Rocker Arm                   |
| 13                                      | J323 6513   | 6   |      |        |      | ER0    |       |      | BRIDGE, Rocker Arm                  |
| 14                                      | J942 5708   | 12  |      |        |      | ER0    |       |      | BOLT, Hex Flange Head, .312-18x1.25 |

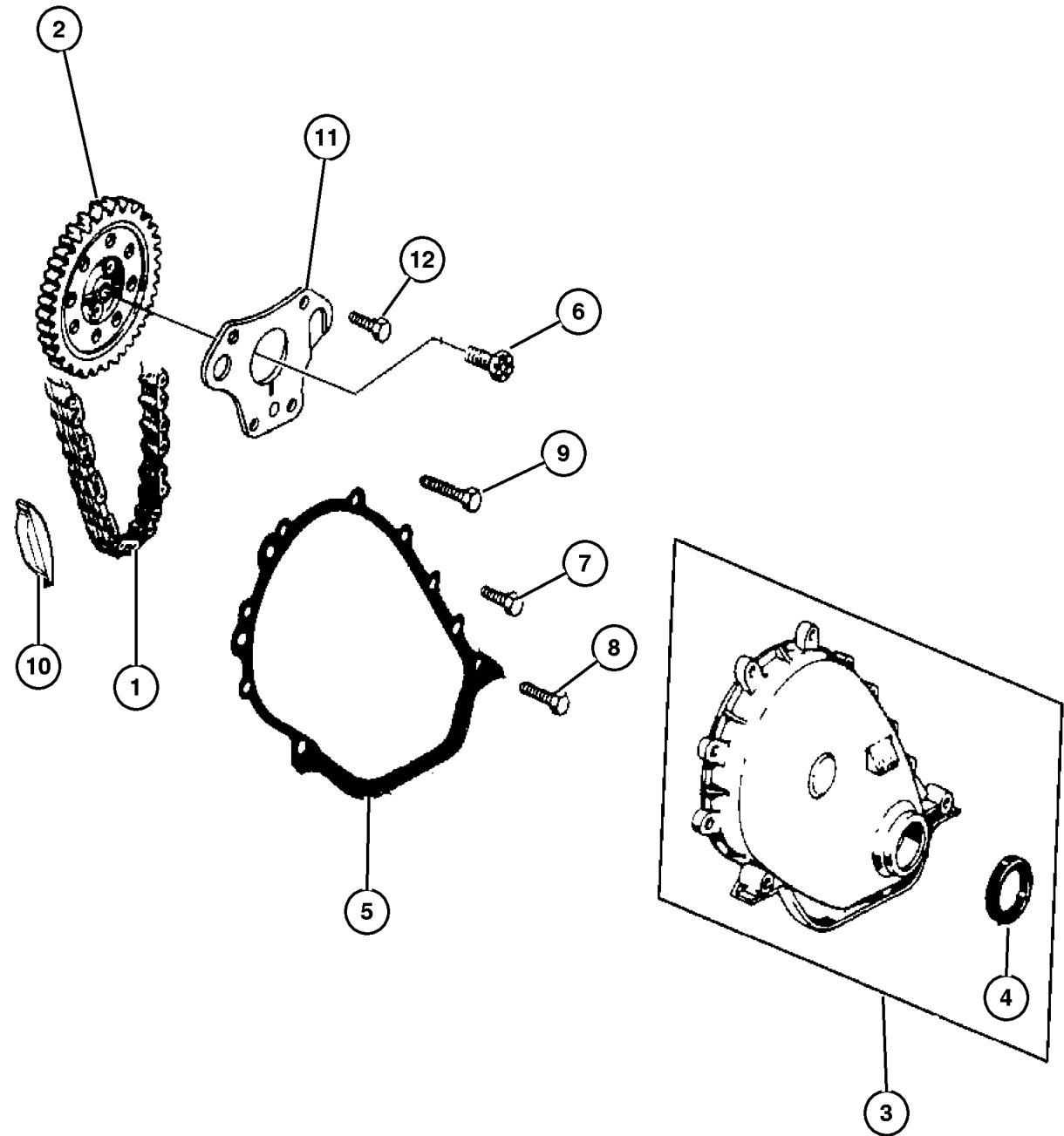
JEEP WRANGLER (TJ)

|             |                        |              |                       |                              |
|-------------|------------------------|--------------|-----------------------|------------------------------|
| SERIES      | LINE                   | BODY         | ENGINE                | TRANSMISSION                 |
| H = Sport   | J = Wrangler 4WD       | 77 = 93.4 WB | ED1, ED0 = 2.4L DOHC  | DGG, DGD = 32RH 3 Spd. Auto. |
| L = SE      | U = Wrangler 4WD (RHD) |              | ERH = 4.0L Power Tech | DDD = 5 Speed HD Manual      |
| M = X       |                        |              |                       | DG0 = Auto. Trans.           |
| P = Sahara  |                        |              |                       | DBB = Manual Trans.          |
| S = Rubicon |                        |              |                       | DDK = 5 Speed Manual         |

AR = Use as required - = Non illustrated part # = New this model year

August 27, 2004

**Timing Cover, 4.0L (ERH)  
Figure 4.0L-610**



| ITEM                                    | PART NUMBER | QTY | LINE | SERIES | BODY | ENGINE | TRANS | TRIM | DESCRIPTION                 |
|---|-------------|-----|------|--------|------|--------|-------|------|-----------------------------|
| NOTE:                                   |             |     |      |        |      |        |       |      |                             |
| SALES CODES:                            |             |     |      |        |      |        |       |      |                             |
| [ER0] = All 4.0L 6 Cylinder Gas Engines |             |     |      |        |      |        |       |      |                             |
| [DBB] = All Manual Transmissions        |             |     |      |        |      |        |       |      |                             |
| [DG0] = All Automatic Transmissions     |             |     |      |        |      |        |       |      |                             |
| 1                                       | 5302 0444   | 1   |      |        |      | ER0    |       |      | CHAIN, Timing               |
| 2                                       | 53010 557AA | 1   |      |        |      | ER0    |       |      | SPROCKET, Camshaft          |
| 3                                       | 5301 0421   | 1   |      |        |      | ER0    |       |      | COVER, Timing Belt          |
| 4                                       | 3300 4681   | 1   |      |        |      | ER0    |       |      | SEAL, Front Main Crankshaft |
| 5                                       | 5302 0487   | 1   |      |        |      | ER0    |       |      | GASKET, Front Cover         |
| 6                                       | 6024 030    | 1   |      |        |      | ER0    |       |      | SCREW AND WASHER, Hex       |
| 7                                       | 6035 893    | 5   |      |        |      | ER0    |       |      | BOLT, Hex                   |
| 8                                       | 6035 895    | 2   |      |        |      | ER0    |       |      | SCREW                       |
| 9                                       | 6035 894    | 2   |      |        |      | ER0    |       |      | SCREW                       |
| 10                                      | 3300 3446   | 1   |      |        |      | ER0    |       |      | SNUBBER, Timing Chain       |
| 11                                      | 5301 0401   | 1   |      |        |      | ER0    |       |      | PLATE, Camshaft Thrust      |
| 12                                      | 6035 975AA  | 2   |      |        |      | ER0    |       |      | SCREW, Pan Head             |

---

---

---

---

---

---

---

---

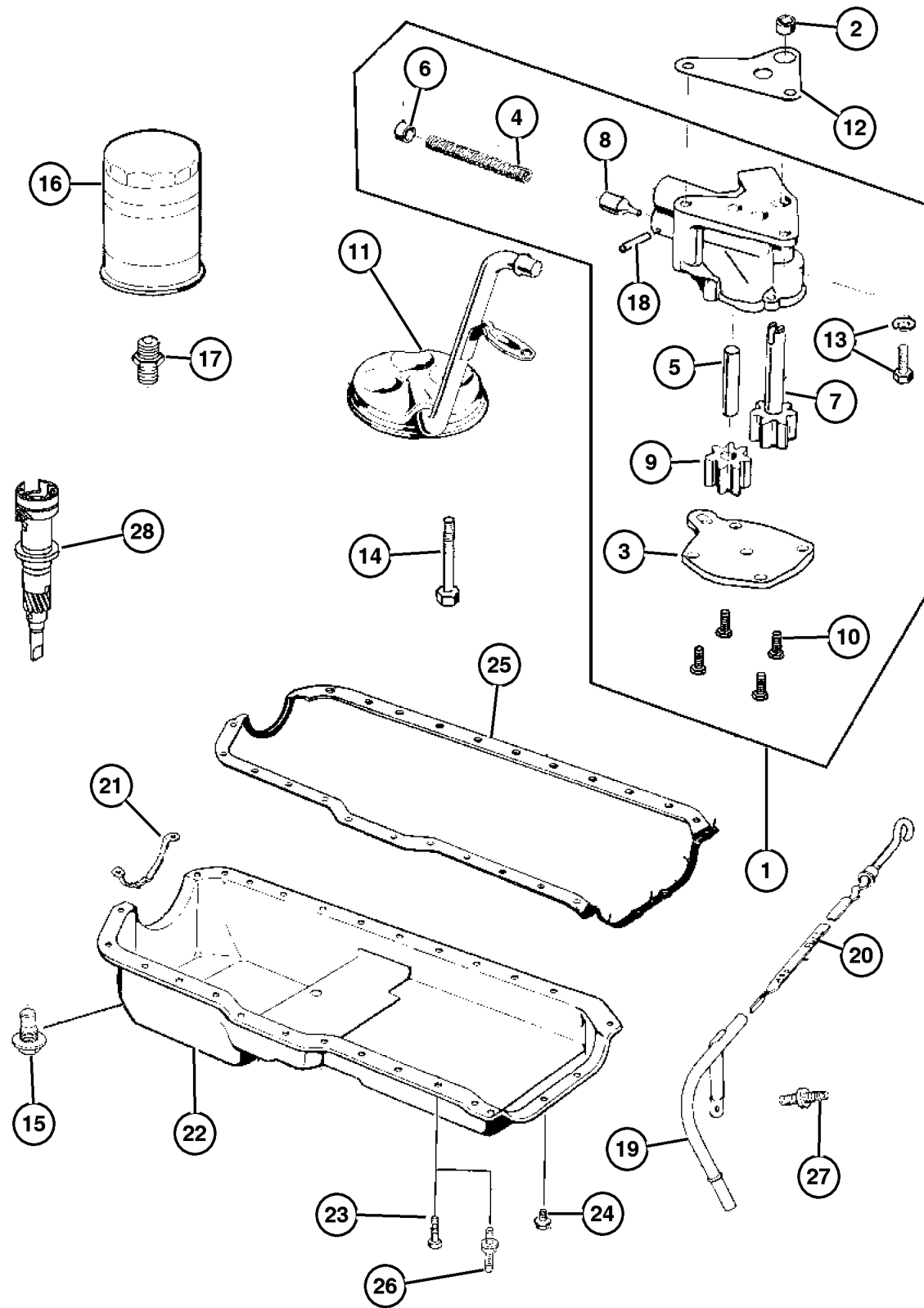
---

---

**JEEP WRANGLER (TJ)**

|             |                        |              |                       |                              |
|-------------|------------------------|--------------|-----------------------|------------------------------|
| SERIES      | LINE                   | BODY         | ENGINE                | TRANSMISSION                 |
| H = Sport   | J = Wrangler 4WD       | 77 = 93.4 WB | ED1, ED0 = 2.4L DOHC  | DGG, DGD = 32RH 3 Spd. Auto. |
| L = SE      | U = Wrangler 4WD (RHD) |              | ERH = 4.0L Power Tech | DDD = 5 Speed HD Manual      |
| M = X       |                        |              |                       | DG0 = Auto. Trans.           |
| P = Sahara  |                        |              |                       | DBB = Manual Trans.          |
| S = Rubicon |                        |              |                       | DDK = 5 Speed Manual         |

**Engine Oiling, 4.0L (ERH)  
Figure 4.0L-710**



**NOTE:**

**SALES CODES:**

[ER0] = All 4.0L 6 Cylinder Gas Engines

[DBB] = All Manual Transmissions

[DG0] = All Automatic Transmissions

| ITEM | PART NUMBER | QTY | LINE | SERIES | BODY | ENGINE | TRANS | TRIM | DESCRIPTION  |
|------|-------------|-----|------|--------|------|--------|-------|------|--|
| 1    | J324 1399   | 1   |      |        |      | ER0    |       |      | PUMP, Engine Oil                                     |
| 2    | J400 5149   | 1   |      |        |      | ER0    |       |      | DOWEL, Locator                                       |
| 3    | J324 1733   | 1   |      |        |      | ER0    |       |      | COVER, Engine Oil Pump                               |
| 4    | J323 9668   | 1   |      |        |      | ER0    |       |      | SPRING, Oil Pressure Relief Valve                    |
| 5    | J317 1956   | 1   |      |        |      | ER0    |       |      | SHAFT, Oil Pump                                      |
| 6    | J317 1958   | 1   |      |        |      | ER0    |       |      | RETAINER, Oil Release Valve                          |
| 7    | J317 2334   | 1   |      |        |      | ER0    |       |      | GEAR, Oil Pump                                       |
| 8    | J318 8661   | 1   |      |        |      | ER0    |       |      | PLUNGER, Oil Pressure Relief Valve                   |
| 9    | J319 6843   | 1   |      |        |      | ER0    |       |      | GEAR, Oil Pump Driven                                |
| 10   | J941 6852   | 4   |      |        |      | ER0    |       |      | SCREW, Hex Flange Head, .25-20x.50                   |
| 11   | 3300 2696   | 1   |      |        |      | ER0    |       |      | TUBE, Oil Pump Inlet                                 |
| 12   | J317 2332   | 1   |      |        |      | ER0    |       |      | GASKET, Oil Pump                                     |
| 13   | 6022 235    | 1   |      |        |      | ER0    |       |      | BOLT AND WASHER, Hex Head, .312-18x1.00              |
| 14   | 0154 593    | 1   |      |        |      | ER0    |       |      | SCREW, Hex Head Coned, .312-18x2.625                 |
| 15   | 6035 417    | 1   |      |        |      | ER0    |       |      | PLUG, Oil Drain                                      |
| 16   | 5281 090    | 1   |      |        |      | ER0    |       |      | FILTER, Engine Oil                                   |
| 17   | 5300 7563   | 1   |      |        |      | ER0    |       |      | CONNECTOR, Oil Filter                                |
| 18   | J027 1448   | 1   |      |        |      | ER0    |       |      | PIN, Roll, 5/32" x 1.00"                             |
| 19   | 5302 0782   | 1   |      |        |      | ER0    |       |      | TUBE, Oil Filler                                     |
| 20   | 53010 445AB | 1   |      |        |      | ER0    |       |      | INDICATOR, Engine Oil Level                          |
| 21   | 53010 511AA | 1   |      |        |      | ER0    |       |      | SUPPORT, Engine Oil Pan                              |
| 22   | 53010 340AB | 1   |      |        |      | ER0    |       |      | PAN, Engine Oil                                      |
| 23   | 6034 732    | 23  |      |        |      | ER0    |       |      | SCREW AND WASHER, Hex Head, .25-20x.545              |
| 24   | 6036 407AA  | 4   |      |        |      | ER0    |       |      | SCREW, Hex Head Coned, .312-18x.875                  |
| 25   | 53007 568AC | 1   |      |        |      | ER0    |       |      | GASKET, Oil Pan                                      |
| 26   | 6034 734    | 1   |      |        |      | ER0    |       |      | BOLT, Double Stud Hex, .250-20x1.437 & .250-20 x.700 |
| 27   | 6035 664    | 1   |      |        |      | ER0    |       |      | STUD, .312-18x1.560                                  |
| 28   | 53010 624AC | 1   |      |        |      | ER0    |       |      | DRIVE, OIL PUMP                                      |

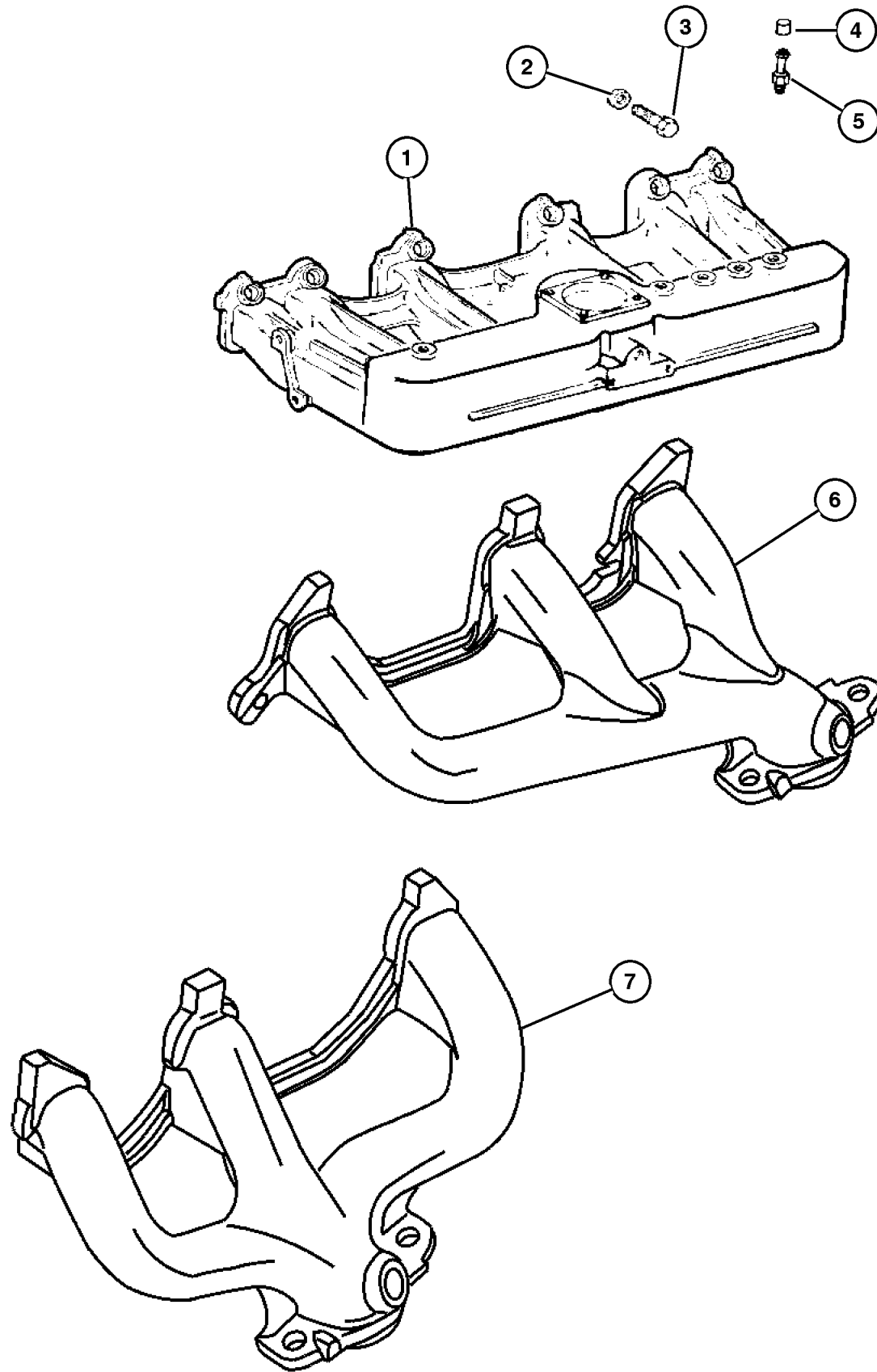
**JEEP WRANGLER (TJ)**

| SERIES      | LINE                   | BODY         | ENGINE                | TRANSMISSION                 |
|-------------|------------------------|--------------|-----------------------|------------------------------|
| H = Sport   | J = Wrangler 4WD       | 77 = 93.4 WB | ED1, ED0 = 2.4L DOHC  | DGG, DGD = 32RH 3 Spd. Auto. |
| L = SE      | U = Wrangler 4WD (RHD) |              | ERH = 4.0L Power Tech | DDD = 5 Speed HD Manual      |
| M = X       |                        |              |                       | DG0 = Auto. Trans.           |
| P = Sahara  |                        |              |                       | DBB = Manual Trans.          |
| S = Rubicon |                        |              |                       | DDK = 5 Speed Manual         |

AR = Use as required - = Non illustrated part # = New this model year

August 27, 2004

**Manifold, Intake and Exhaust  
Figure 4.0L-810**



| ITEM                                    | PART NUMBER | QTY | LINE | SERIES | BODY | ENGINE | TRANS | TRIM | DESCRIPTION                             |
|---|-------------|-----|------|--------|------|--------|-------|------|---|
| NOTE:                                   |             |     |      |        |      |        |       |      |   |
| SALES CODES:                            |             |     |      |        |      |        |       |      |   |
| [ER0] = All 4.0L 6 Cylinder Gas Engines |             |     |      |        |      |        |       |      |   |
| [DBB] = All Manual Transmissions        |             |     |      |        |      |        |       |      |   |
| [DG0] = All Automatic Transmissions     |             |     |      |        |      |        |       |      |   |
| 1                                       | 4854 197AC  | 1   |      |        |      | ER0    |       |      | MANIFOLD, Intake                        |
| 2                                       | 6036 171AA  | 2   |      |        |      | ER0    |       |      | NUT AND WASHER                          |
| 3                                       | 6036 045AA  | 1   |      |        |      | ER0    |       |      | BOLT AND RETAINER, Hex Head             |
| 4                                       | 5503 5614   | 1   |      |        |      |        |       |      | RESERVOIR, Vacuum                       |
| 5                                       | 4854 194    | 1   |      |        |      | ER0    |       |      | FITTING, Vacuum, Serviced With Manifold |
| 6                                       | 5301 0196   | 1   |      |        |      | ER0    |       |      | MANIFOLD, Exhaust, Front                |
| 7                                       | 5301 0199   | 1   |      |        |      | ER0    |       |      | MANIFOLD, Exhaust, Rear                 |
| -8                                      | 4854 038    | 1   |      |        |      | ER0    |       |      | GASKET, Intake/Exhaust Manifold         |
| -9                                      | 6036 193AA  | 2   |      |        |      | ER0    |       |      | STUD, .375-16/.375-24x1.75              |
| -10                                     | 6506 546AA  | 2   |      |        |      | ER0    |       |      | NUT, Exhaust Manifold                   |

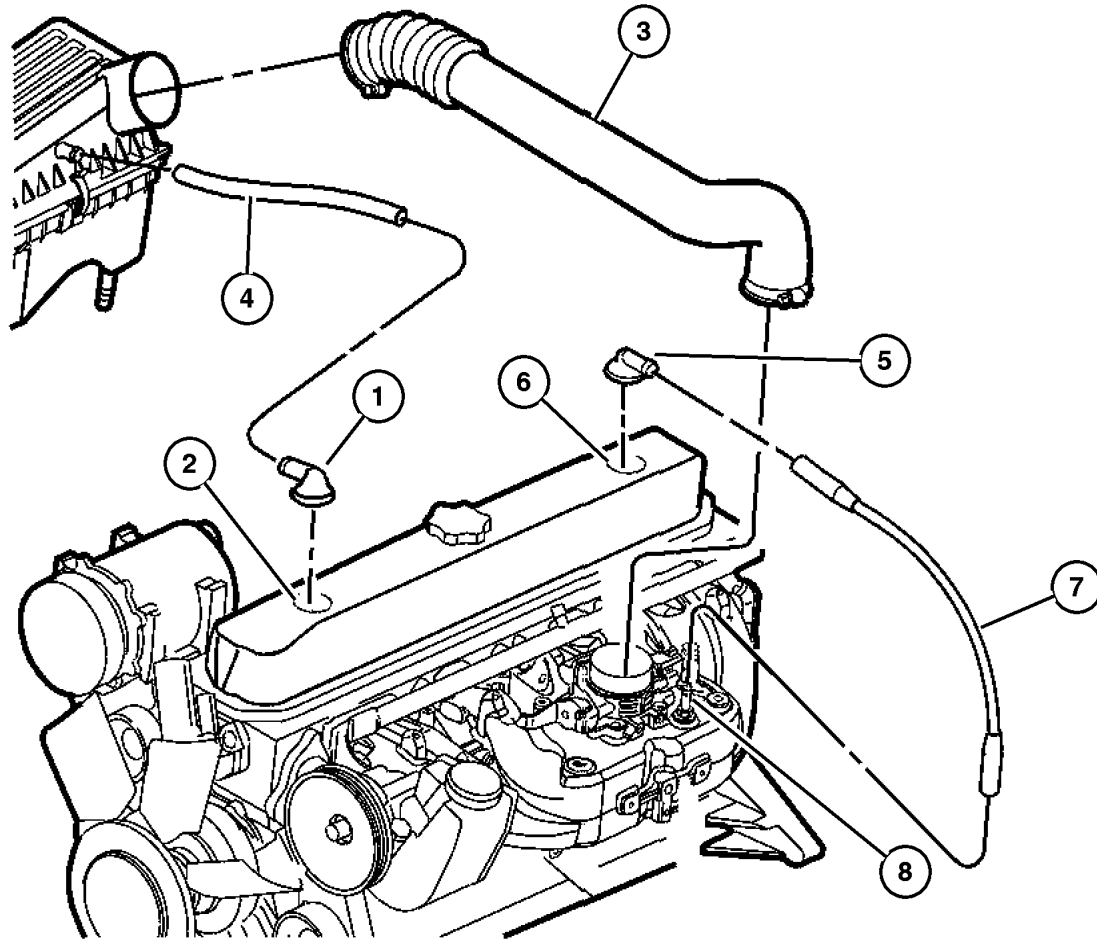
|                           |                        |              |                       |                              |
|---------------------------|------------------------|--------------|-----------------------|------------------------------|
| <b>JEEP WRANGLER (TJ)</b> |                        |              |                       |                              |
| SERIES                    | LINE                   | BODY         | ENGINE                | TRANSMISSION                 |
| H = Sport                 | J = Wrangler 4WD       | 77 = 93.4 WB | ED1, ED0 = 2.4L DOHC  | DGG, DGD = 32RH 3 Spd. Auto. |
| L = SE                    | U = Wrangler 4WD (RHD) |              | ERH = 4.0L Power Tech | DDD = 5 Speed HD Manual      |
| M = X                     |                        |              |                       | DG0 = Auto. Trans.           |
| P = Sahara                |                        |              |                       | DBB = Manual Trans.          |
| S = Rubicon               |                        |              |                       | DDK = 5 Speed Manual         |

AR = Use as required - = Non illustrated part # = New this model year

August 27, 2004

**Crankcase Ventilation, 4.0L [ERH]  
Figure 4.0L-910**

| ITEM | PART NUMBER | QTY | LINE | SERIES | BODY | ENGINE | TRANS | TRIM | DESCRIPTION                                |
|------|-------------|-----|------|--------|------|--------|-------|------|--|
| 1    | 5303 0497   | 1   |      |        |      | ER0    |       |      | FITTING, Crankcase Vent Tube               |
| 2    | 2946 079    | 1   |      |        |      | ER0    |       |      | GROMMET, Crankcase Vent                    |
| 3    | 53030 611AC | 1   |      |        |      | ER0    |       |      | HOSE, Air Cleaner                          |
| 4    | 53030 615AC | 1   |      |        |      | ER0    |       |      | TUBE, Crankcase Vent To Air Cleaner        |
| 5    | 53013 742AB | 1   |      |        |      | ER0    |       |      | FITTING, Crankcase Vent Tube, With Orifice |
| 6    | 53013 743AB | 1   |      |        |      | ER0    |       |      | GROMMET, Crankcase Vent                    |
| 7    | 53013 797AB | 1   |      |        |      | ER0    |       |      | TUBE, Crankcase Vent To Intake Manifold    |
| 8    | 4854 194    | 1   |      |        |      | ER0    |       |      | FITTING, Vacuum                            |



**JEEP WRANGLER (TJ)**

|             |                        |              |                       |                              |
|-------------|------------------------|--------------|-----------------------|------------------------------|
| SERIES      | LINE                   | BODY         | ENGINE                | TRANSMISSION                 |
| H = Sport   | J = Wrangler 4WD       | 77 = 93.4 WB | ED1, ED0 = 2.4L DOHC  | DGG, DGD = 32RH 3 Spd. Auto. |
| L = SE      | U = Wrangler 4WD (RHD) |              | ERH = 4.0L Power Tech | DDD = 5 Speed HD Manual      |
| M = X       |                        |              |                       | DG0 = Auto. Trans.           |
| P = Sahara  |                        |              |                       | DBB = Manual Trans.          |
| S = Rubicon |                        |              |                       | DDK = 5 Speed Manual         |

AR = Use as required - = Non illustrated part # = New this model year

August 27, 2004



# Group – 011

## Exhaust

### GROUP 11 - Exhaust

Illustration Title

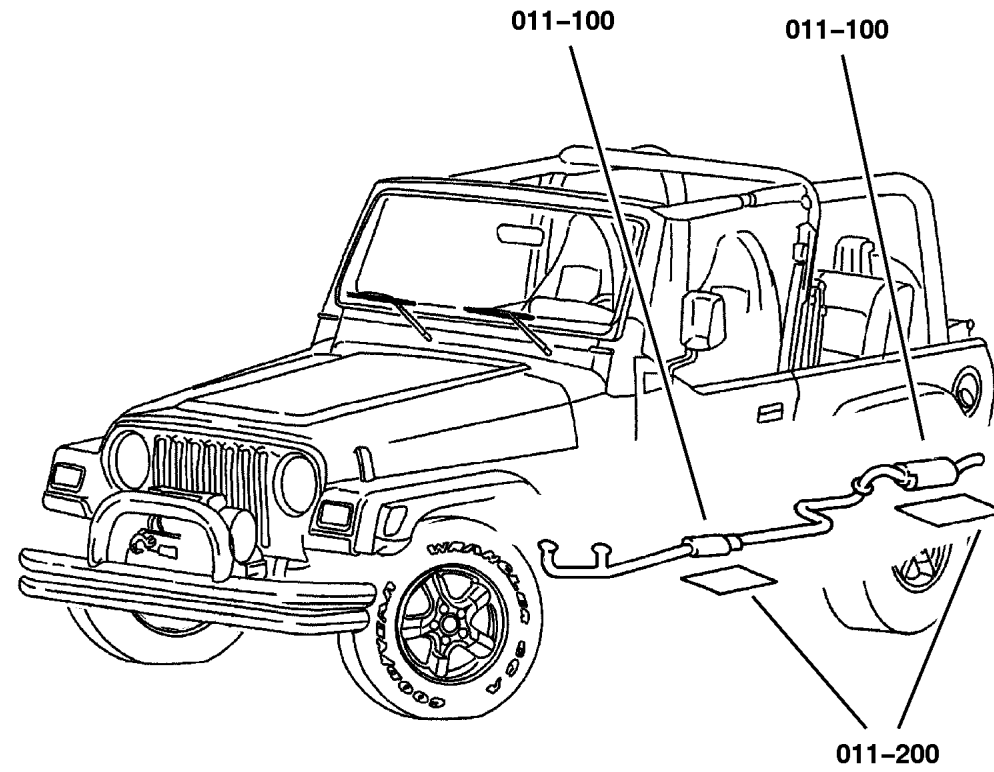
Group-Fig. No.

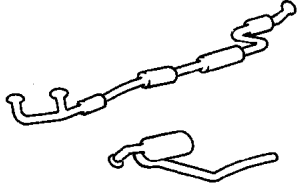
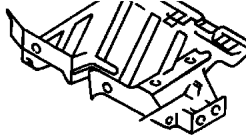
#### Exhaust System

Exhaust System, 2.4 (ED1), 4.0 (ERO) ..... Fig. 011-110

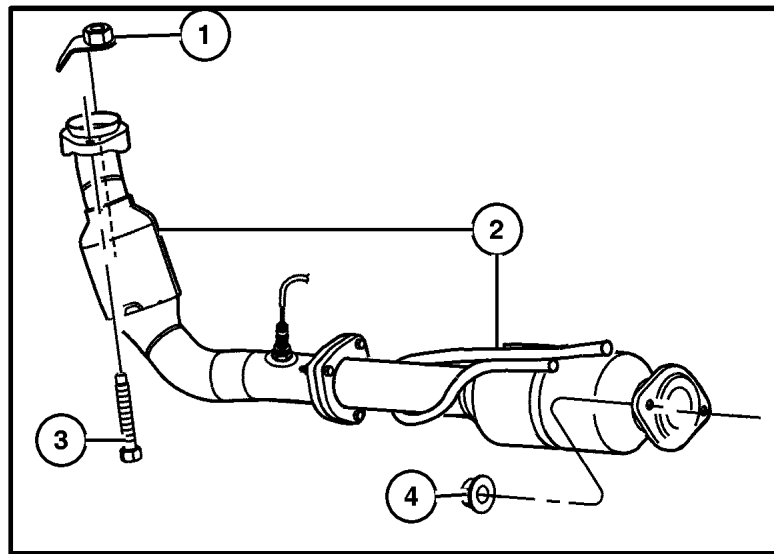
#### Heat Shields

Heat Shields, 2.4 (ED1), 4.0 (ERH) ..... Fig. 011-210

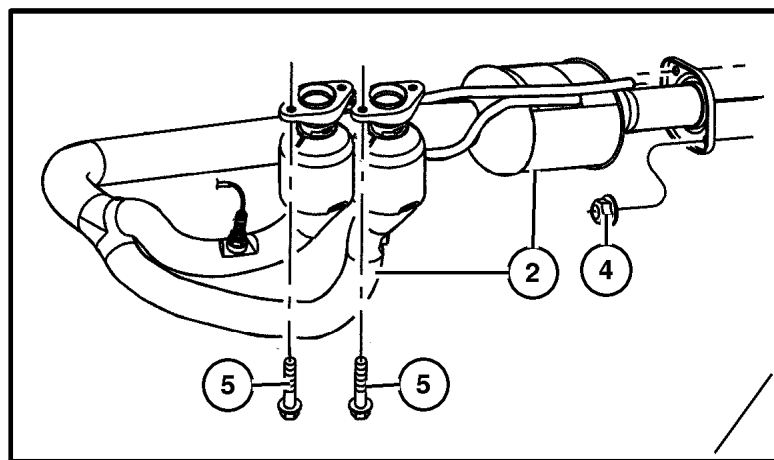


|  |  |  |  |
|--|--|--|--|
| <p><b>011-100</b><br/>Exhaust System</p>  | <p><b>011-200</b><br/>Heat Shields</p>  |  |  |
|--|--|--|--|

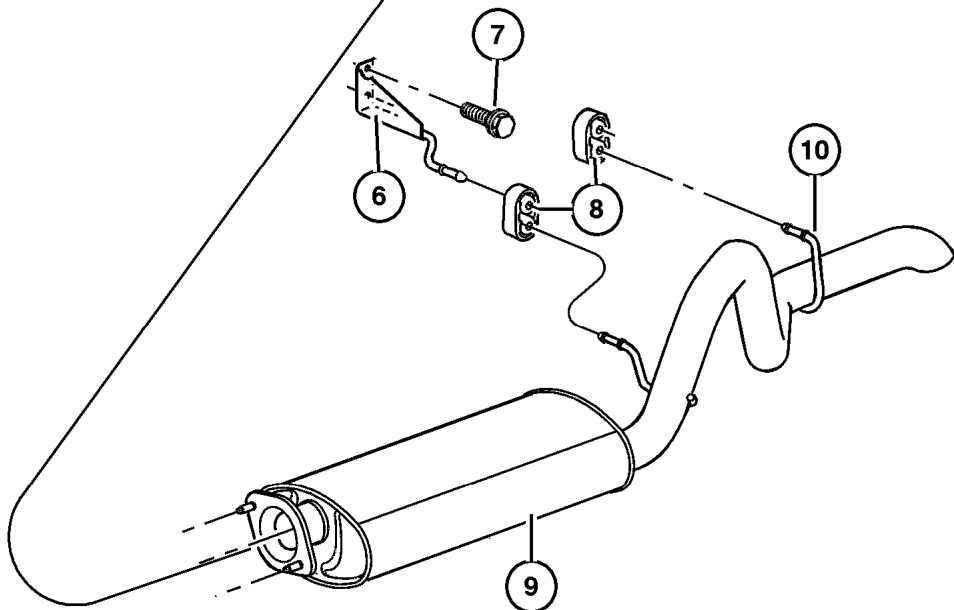
Exhaust System, 2.4 (ED1), 4.0 (ERO)  
Figure 011-110



(ED0)



(ERO)



| ITEM  | PART NUMBER | QTY | LINE | SERIES | BODY   | ENGINE | TRANS | TRIM | DESCRIPTION                                |
|---|-------------|-----|------|--------|--------|--------|-------|------|--|
| NOTE: [ EP0]=All 2.5L Gas Engines [ER0]=All 4.0L Engines [ DBB]=All Manual Transmissions [ DG0]=All Automatic Transmissions |             |     |      |        |        |        |       |      |  |
| 1   | 52059 716AA | 2   |      |        |        | ED1    |       |      | NUT, Hex Lock, M8x1.25                     |
| 2   |             |     |      |        |        |        |       |      | PIPE AND CONVERTER, Exhaust, To Manifold   |
|   | 52059 681AC | 1   |      |        | 77, 78 | ER0    |       |      |  |
|   | 52059 730AB | 1   |      |        | 77     | ED1    |       |      |  |
| 3   | 6505 954AA  | 2   |      |        | 77     | ED1    |       |      | SCREW, Hex Head Pilot Point, M8x1.25x65.00 |
| 4   | 6502 337    | 2   |      |        |        |        |       |      | NUT, M10x1.5                               |
| 5   |             |     |      |        |        |        |       |      | SCREW, Hex Head                            |
|   | 6505 178AA  | 4   |      |        |        |        |       |      | Exhaust Mount to Frame                     |
|   | 6505 754AA  | 4   |      |        |        | ER0    |       |      | Exhaust Pipe to Manifold                   |
| 6   | 52019 408AC | 1   |      |        |        |        |       |      | HANGER, Muffler                            |
| 7   |             |     |      |        |        |        |       |      | SCREW                                      |
|   | 6104 005AA  | 3   |      |        |        | ER0    |       |      |  |
|   |             | 3   |      |        | 61, 77 | ED0    |       |      |  |
| 8   | 5210 1035   | 2   |      |        |        |        |       |      | INSULATOR, Exhaust                         |
| 9   |             |     |      |        |        |        |       |      | MUFFLER AND TAILPIPE, Exhaust              |
|   | 52019 241AF | 1   |      |        | 61, 77 | ER0    |       |      |  |
|   | 52059 614AB | 1   |      |        | 77     | ED1    |       |      |  |
|   | 56052 347AA | 1   | J    |        | 61, 78 | ER0    |       |      |  |
| 10  | 5201 9413   | 1   |      |        |        |        |       |      | HANGER, Exhaust                            |
| -11   |             |     |      |        |        |        |       |      | NUT, Exhaust Manifold                      |
|   | 6506 546AA  | 2   |      |        |        | ER0    |       |      | Front                                      |
|   |             | 2   |      |        |        | ER0    |       |      | Rear                                       |

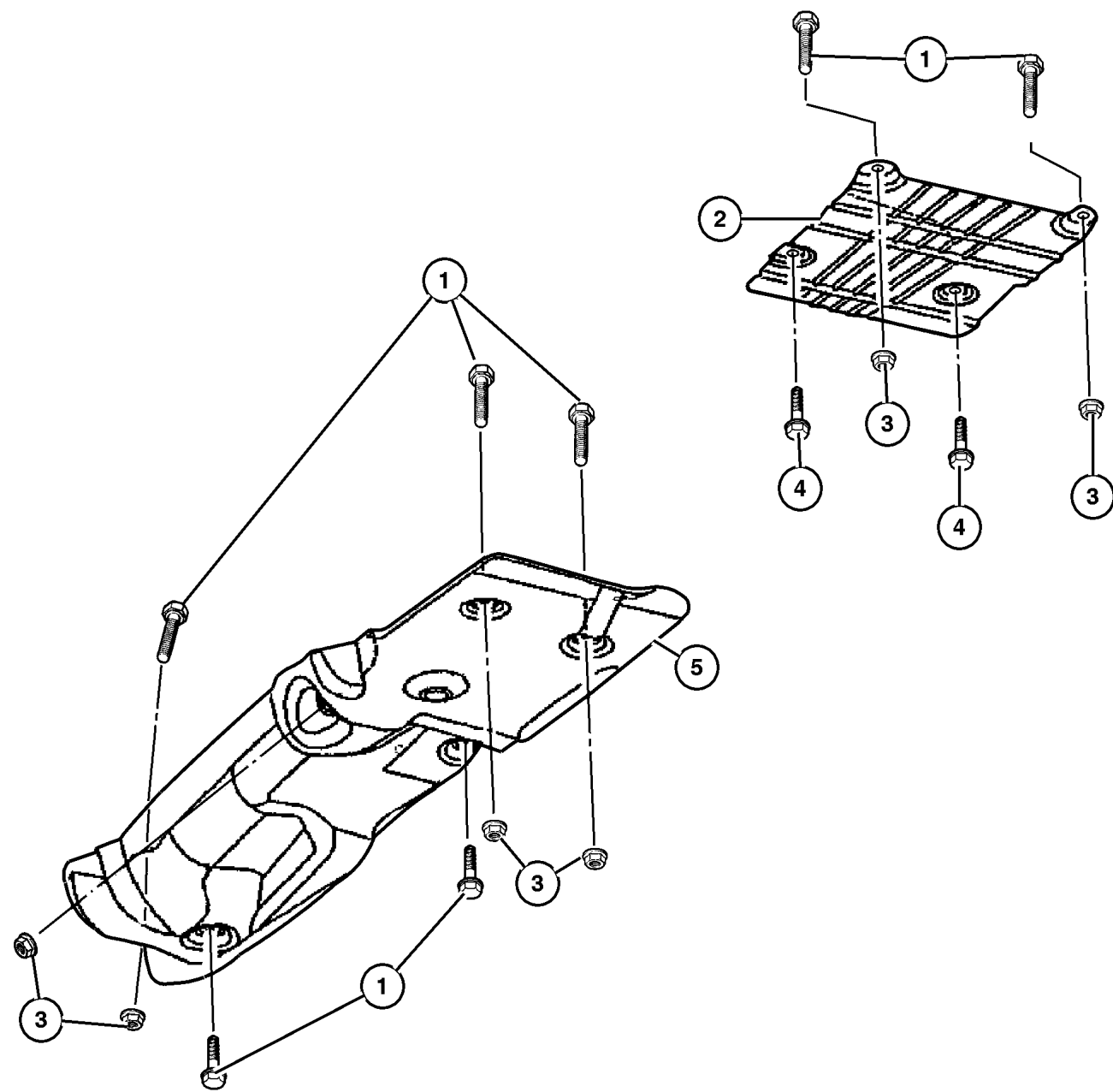
JEEP WRANGLER (TJ)

| SERIES      | LINE                   | BODY         | ENGINE                | TRANSMISSION                 |
|-------------|------------------------|--------------|-----------------------|------------------------------|
| H = Sport   | J = Wrangler 4WD       | 77 = 93.4 WB | ED1, ED0 = 2.4L DOHC  | DGG, DGD = 32RH 3 Spd. Auto. |
| L = SE      | U = Wrangler 4WD (RHD) |              | ERH = 4.0L Power Tech | DDD = 5 Speed HD Manual      |
| M = X       |                        |              |                       | DG0 = Auto. Trans.           |
| P = Sahara  |                        |              |                       | DBB = Manual Trans.          |
| S = Rubicon |                        |              |                       | DDK = 5 Speed Manual         |

AR = Use as required - = Non illustrated part # = New this model year

August 27, 2004

Heat Shields, 2.4 (ED1), 4.0 (ERH)  
Figure 011-210



| ITEM | PART NUMBER | QTY | LINE | SERIES | BODY | ENGINE | TRANS | TRIM | DESCRIPTION  |
|------|-------------|-----|------|--------|------|--------|-------|------|--|
| 1    |             |     |      |        |      |        |       |      | SCREW, [.250-20x.875], (NOT SERVICED) (Not Serviced) |
| 2    | 55395 165AA | 1   |      |        |      |        |       |      | SHIELD, Muffler                                      |
|      | 56052 615AA | 1   | J    |        | 78   |        |       |      |  |
| 3    |             |     |      |        |      |        |       |      | NUT, [M6X1.00], (NOT SERVICED) (Not Serviced)        |
| 4    |             |     |      |        |      |        |       |      | SCREW, [.250-20x625], (NOT SERVICED) (Not Serviced)  |
| 5    | 55176 694AF | 1   |      |        |      |        |       |      | SHIELD, Muffler                                      |
|      | 56052 615AA | 1   | J    |        | 78   |        |       |      |  |
| -6   |             |     |      |        |      |        |       |      | SHIELD, Exhaust Manifold                             |
|      | 53013 669AA | 1   |      |        |      | ER0    |       |      |  |
|      | 53013 264AA | 1   |      |        |      | ED0    |       |      |  |

JEEP WRANGLER (TJ)

| SERIES      | LINE                   | BODY         | ENGINE                | TRANSMISSION                 |
|-------------|------------------------|--------------|-----------------------|------------------------------|
| H = Sport   | J = Wrangler 4WD       | 77 = 93.4 WB | ED1, ED0 = 2.4L DOHC  | DGG, DGD = 32RH 3 Spd. Auto. |
| L = SE      | U = Wrangler 4WD (RHD) |              | ERH = 4.0L Power Tech | DDD = 5 Speed HD Manual      |
| M = X       |                        |              |                       | DG0 = Auto. Trans.           |
| P = Sahara  |                        |              |                       | DBB = Manual Trans.          |
| S = Rubicon |                        |              |                       | DDK = 5 Speed Manual         |

AR = Use as required - = Non illustrated part # = New this model year

August 27, 2004

# Group – 013

## Frames and Bumpers

GROUP 13 - Frames and Bumpers

Illustration Title

Group-Fig. No.

**Frames**

Frame ..... Fig. 013-110

**Front Bumper and Fascia**

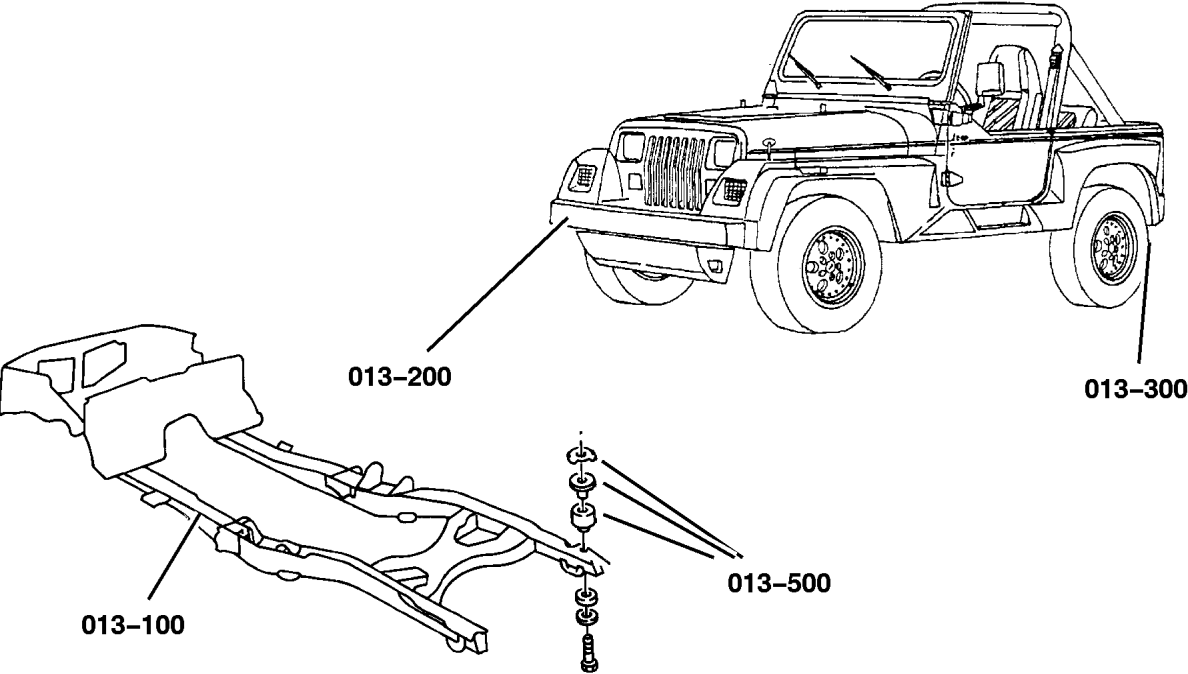
Bumper, Front ..... Fig. 013-210

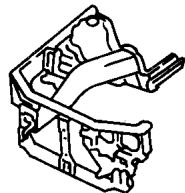
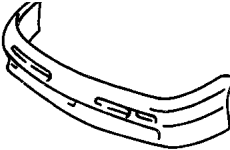


**Rear Bumper and Fascia**

Bumper, Rear ..... Fig. 013-310

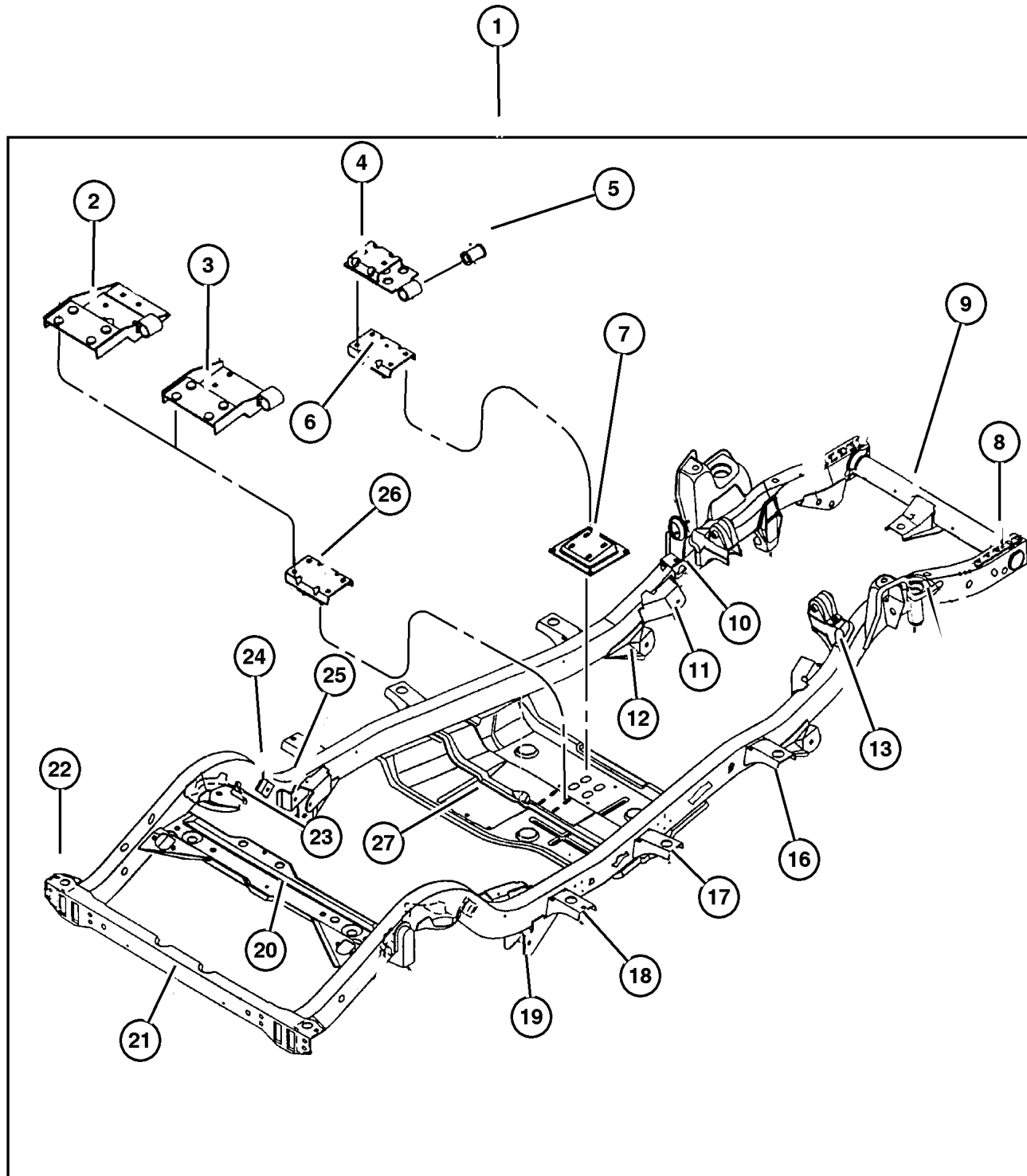
**Body Hold Down**

Body Mounting Hardware ..... Fig. 013-510



|  |   |   |  |
|--|---|---|--|
| <p><b>013-100</b><br/>Frames</p>  | <p><b>013-200</b><br/>Front Bumper and Fascia</p>  | <p><b>013-300</b><br/>Rear Bumper and Fascia</p>  | <p><b>013-500</b><br/>Body Hold Down</p>  |
|--|---|---|--|

Frame  
Figure 013-110



| ITEM                                       | PART NUMBER | QTY | LINE | SERIES | BODY   | ENGINE | TRANS | TRIM | DESCRIPTION                         |
|--|-------------|-----|------|--------|--------|--------|-------|------|-------------------------------------|
| Note: Sales Code ED0 = 2.4L Gas Engine     |             |     |      |        |        |        |       |      |                                     |
| Note: Sales Code ER0 = 4.0L Gas Engine     |             |     |      |        |        |        |       |      |                                     |
| Note: Sales Code DG0 = Auto Transmission   |             |     |      |        |        |        |       |      |                                     |
| Note: Sales Code DD0 = Manual Transmission |             |     |      |        |        |        |       |      |                                     |
| 1  |             |     |      |        |        |        |       |      | FRAME, Chassis                      |
|  | 52058 813AL | 1   | J    |        | 61, 77 |        |       |      | [ED0], Without [XDC]                |
|  | 52058 811AL | 1   | J    |        | 61, 77 |        |       |      | [ER0], Without [XDC]                |
|  | 52058 815AL | 1   | U    |        | 77     |        |       |      | [ER0], Without [XDC]                |
|  | 52059 651AF | 1   | J    |        | 61, 77 |        |       |      | [ED0], With [XDC]                   |
|  | 52059 652AF | 1   | J    |        | 61, 77 |        |       |      | [ER0], With [XDC]                   |
|  | 52059 653AF | 1   | U    |        | 77     |        |       |      | [ER0], With [XDC]                   |
|  | 56052 329AD | 1   | J    |        | 61, 78 |        |       |      | [ER0], Without [XDC]                |
| 2  |             |     |      |        |        |        |       |      | BRACKET, Transmission Mount         |
|  | 52059 502AB | 1   |      |        |        |        |       |      | [ER0][DG0]                          |
|  | 52059 509AB | 1   |      |        |        |        |       |      | [ER0][DEH]                          |
|  | 52059 698AA | 1   |      |        |        |        |       |      | [ED0][DEH]                          |
|  | 52059 700AA | 1   |      |        |        |        |       |      | [ED0][DG0]                          |
| 3  |             |     |      |        |        |        |       |      | BRACKET, Transmission Mount         |
|  | 52059 502AB | 1   |      |        |        |        |       |      | [ER0][DG0]                          |
|  | 52059 509AB | 1   |      |        |        |        |       |      | [ER0][DEH]                          |
|  | 52059 698AA | 1   |      |        |        |        |       |      | [ED0][DEH]                          |
|  | 52059 700AA | 1   |      |        |        |        |       |      | [ED0][DG0]                          |
| 4  |             |     |      |        |        |        |       |      | BRACKET, Transmission Mount         |
|  | 52059 502AB | 1   |      |        |        |        |       |      | [ER0][DG0]                          |
|  | 52059 509AB | 1   |      |        |        |        |       |      | [ER0][DEH]                          |
|  | 52059 698AA | 1   |      |        |        |        |       |      | [ED0][DEH]                          |
|  | 52059 700AA | 1   |      |        |        |        |       |      | [ED0][DG0]                          |
| 5  | 5208 5085   | 1   |      |        |        |        |       |      | BUSHING, Exhaust Hanger             |
| 6  | 52058 551AB | 1   |      |        |        |        |       |      | MOUNT, Transmission, Trans. Support |
| 7  |             |     |      |        |        |        |       |      | BRACKET, Transmission Mount         |
|  | 52059 502AB | 1   |      |        |        |        |       |      | [ER0][DG0]                          |
|  | 52059 509AB | 1   |      |        |        |        |       |      | [ER0][DEH]                          |
|  | 52059 698AA | 1   |      |        |        |        |       |      | [ED0][DEH]                          |
|  | 52059 700AA | 1   |      |        |        |        |       |      | [ED0][DG0]                          |
| 8  |             |     |      |        |        |        |       |      | PLATE, Suspension                   |
|  | 52058 430AB | 2   | J    |        | 61, 77 |        |       |      |                                     |
|  |             | 2   | U    |        | 77     |        |       |      |                                     |
| 9  |             |     |      |        |        |        |       |      | CROSSMEMBER, Underbody              |
|  | 5003 819AA  | 1   | J    |        | 61, 77 |        |       |      |                                     |
|  |             | 1   | U    |        | 77     |        |       |      |                                     |
| 10   |             |     |      |        |        |        |       |      | BRACKET, Frame Rail                 |

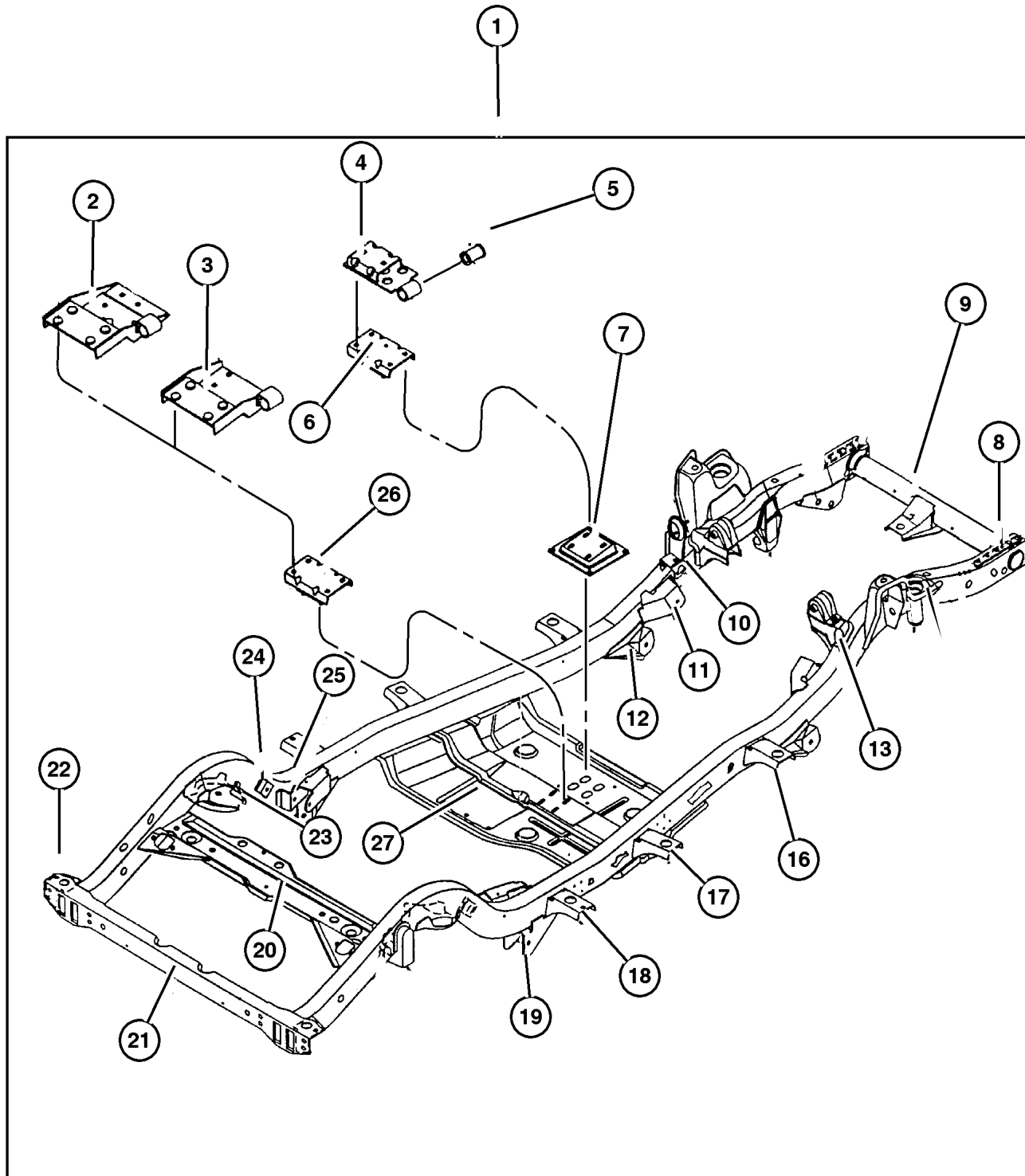
JEEP WRANGLER (TJ)

|             |                        |              |                       |                              |
|-------------|------------------------|--------------|-----------------------|------------------------------|
| SERIES      | LINE                   | BODY         | ENGINE                | TRANSMISSION                 |
| H = Sport   | J = Wrangler 4WD       | 77 = 93.4 WB | ED1, ED0 = 2.4L DOHC  | DGG, DGD = 32RH 3 Spd. Auto. |
| L = SE      | U = Wrangler 4WD (RHD) |              | ERH = 4.0L Power Tech | DDD = 5 Speed HD Manual      |
| M = X       |                        |              |                       | DG0 = Auto. Trans.           |
| P = Sahara  |                        |              |                       | DBB = Manual Trans.          |
| S = Rubicon |                        |              |                       | DDK = 5 Speed Manual         |

AR = Use as required - = Non illustrated part # = New this model year

August 27, 2004

Frame  
Figure 013-110



| ITEM | PART NUMBER | QTY | LINE | SERIES | BODY   | ENGINE | TRANS | TRIM | DESCRIPTION                 |
|------|-------------|-----|------|--------|--------|--------|-------|------|-----------------------------|
|      | 5205 8893   | 1   | J    |        | 61, 77 |        |       |      |                             |
|      | 5205 8894   | 1   | J    |        | 61, 78 |        |       |      |                             |
| 11   | 5205 8894   | 1   | U    |        | 77     |        |       |      | BRACKET, Frame Rail         |
|      | 52058 160AB | 1   | J    |        | 61, 77 |        |       |      | Right                       |
|      |             | 1   | J    |        | 61, 78 |        |       |      | Right                       |
|      |             | 1   | U    |        | 77     |        |       |      | Right                       |
|      | 52058 161AB | 1   | J    |        | 61, 77 |        |       |      | Left                        |
|      |             | 1   | J    |        | 61, 78 |        |       |      | Left                        |
|      |             | 1   | U    |        | 77     |        |       |      | Left                        |
| 12   |             |     |      |        |        |        |       |      | BRACKET, Frame Rail         |
|      | 5205 8090   | 1   | J    |        | 61, 77 |        |       |      | Right                       |
|      |             | 1   | J    |        | 61, 78 |        |       |      | Right                       |
|      |             | 1   | U    |        | 77     |        |       |      | Right                       |
|      | 5205 8091   | 1   | J    |        | 61, 77 |        |       |      | Left                        |
|      |             | 1   | J    |        | 61, 78 |        |       |      | Left                        |
|      |             | 1   | U    |        | 77     |        |       |      | Left                        |
| 13   |             |     |      |        |        |        |       |      | BRACKET, Engine Support     |
|      | 5205 8864   | 1   | J    |        | 61, 77 |        |       |      | Right                       |
|      |             | 1   | J    |        | 61, 78 |        |       |      | Right                       |
|      |             | 1   | U    |        | 77     |        |       |      | Right                       |
|      | 5205 8865   | 1   | J    |        | 61, 77 |        |       |      | Left                        |
|      |             | 1   | J    |        | 61, 78 |        |       |      | Left                        |
|      |             | 1   | U    |        | 77     |        |       |      | Left                        |
|      | 5205 8870   | 1   | J    |        | 61, 77 |        |       |      | [ED0], Right                |
|      | 5205 8871   | 1   | J    |        | 61, 77 |        |       |      | [ED0], Left                 |
| -14  |             |     |      |        |        |        |       |      | REINFORCEMENT, Engine Mount |
|      | 5205 8846   | 1   | J    |        | 61, 77 |        |       |      | [ED0], Right                |
|      | 5205 8847   | 1   | J    |        | 61, 77 |        |       |      | [ED0], Left                 |
| -15  |             |     |      |        |        |        |       |      | REINFORCEMENT, Engine Mount |
|      | 5205 8845   | 1   | J    |        | 61, 77 |        |       |      | [ER0], Left                 |
|      |             | 1   | J    |        | 61, 78 |        |       |      | [ER0], Left                 |
|      |             | 1   | U    |        | 77     |        |       |      | [ER0], Left                 |
|      | 5205 8911   | 1   | J    |        | 61, 77 |        |       |      | [ER0], Right                |
|      |             | 1   | J    |        | 61, 78 |        |       |      | [ER0], Right                |
|      |             | 1   | U    |        | 77     |        |       |      | [ER0], Right                |
| 16   |             |     |      |        |        |        |       |      | BRACKET, Frame              |
|      | 5003 831AA  | 4   | J    |        | 61, 77 |        |       |      |                             |
|      |             | 4   | U    |        | 77     |        |       |      |                             |
| 17   |             |     |      |        |        |        |       |      | BRACKET, Frame              |
|      | 5003 831AA  | 4   | J    |        | 61, 77 |        |       |      |                             |

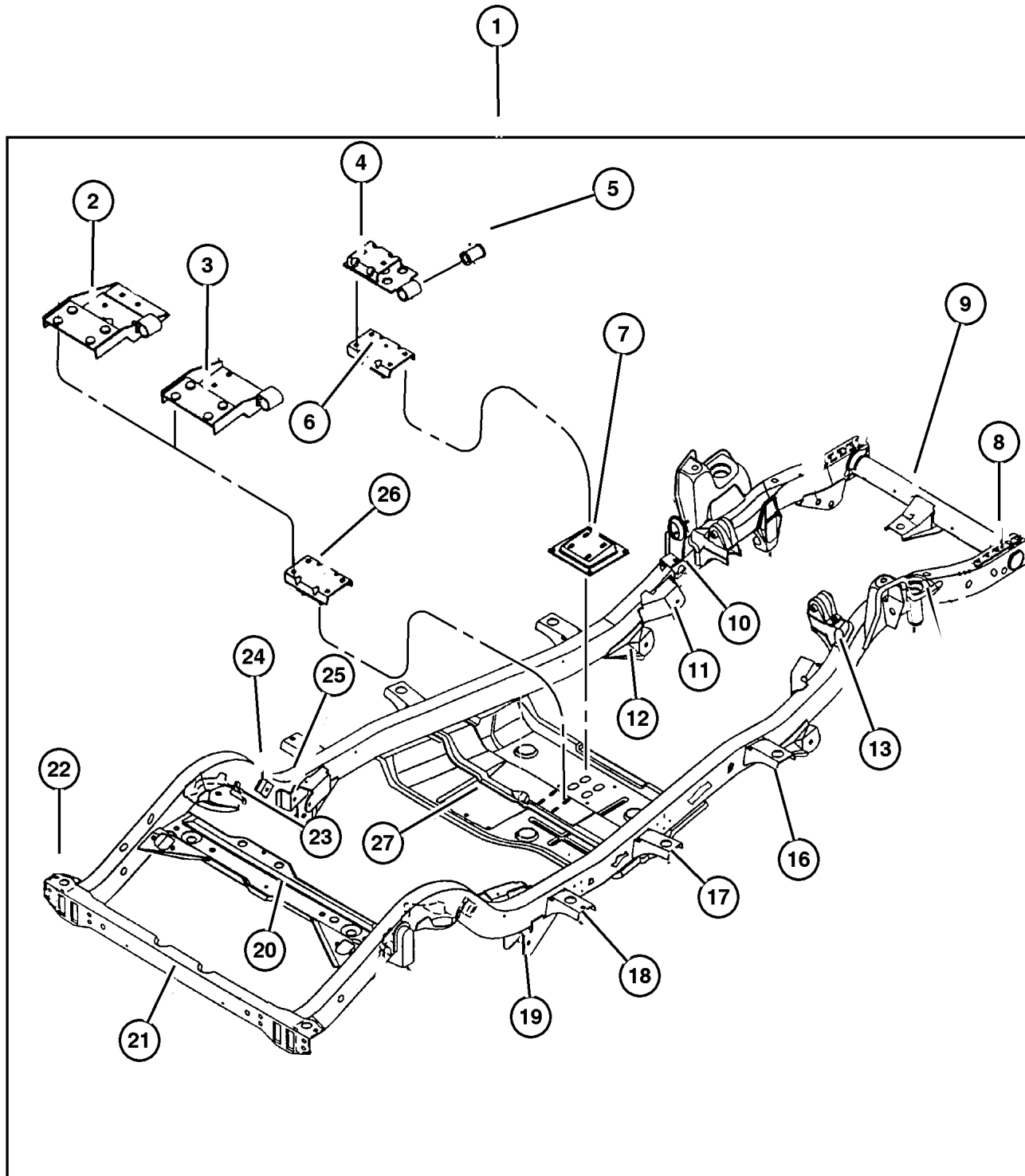
JEEP WRANGLER (TJ)

|             |                        |              |                       |                              |
|-------------|------------------------|--------------|-----------------------|------------------------------|
| SERIES      | LINE                   | BODY         | ENGINE                | TRANSMISSION                 |
| H = Sport   | J = Wrangler 4WD       | 77 = 93.4 WB | ED1, ED0 = 2.4L DOHC  | DGG, DGD = 32RH 3 Spd. Auto. |
| L = SE      | U = Wrangler 4WD (RHD) |              | ERH = 4.0L Power Tech | DDD = 5 Speed HD Manual      |
| M = X       |                        |              |                       | DG0 = Auto. Trans.           |
| P = Sahara  |                        |              |                       | DBB = Manual Trans.          |
| S = Rubicon |                        |              |                       | DDK = 5 Speed Manual         |

AR = Use as required - = Non illustrated part # = New this model year

August 27, 2004

Frame  
Figure 013-110



| ITEM | PART NUMBER | QTY | LINE | SERIES | BODY   | ENGINE | TRANS | TRIM | DESCRIPTION                         |
|------|-------------|-----|------|--------|--------|--------|-------|------|-------------------------------------|
|      |             | 4   | U    |        | 77     |        |       |      |                                     |
| 18   |             |     |      |        |        |        |       |      | BRACKET, Frame                      |
|      | 5003 836AA  | 2   | J    |        | 61, 77 |        |       |      |                                     |
|      |             | 2   | U    |        | 77     |        |       |      |                                     |
| 19   |             |     |      |        |        |        |       |      | BRACKET, Frame Rail                 |
|      | 5003 832AA  | 1   | J    |        | 61, 77 |        |       |      | Right                               |
|      |             | 1   | U    |        | 77     |        |       |      | Right                               |
|      | 5003 833AA  | 1   | J    |        | 61, 77 |        |       |      | Left                                |
|      |             | 1   | U    |        | 77     |        |       |      | Left                                |
| 20   |             |     |      |        |        |        |       |      | CROSSMEMBER, Intermediate Rear      |
|      | 52058 136AB | 1   | J    |        | 61, 77 |        |       |      |                                     |
|      |             | 1   | U    |        | 77     |        |       |      |                                     |
| 21   |             |     |      |        |        |        |       |      | CROSSMEMBER, Rear Frame             |
|      | 52058 121AB | 1   | J    |        | 61, 77 |        |       |      |                                     |
|      |             | 1   | U    |        | 77     |        |       |      |                                     |
| 22   |             |     |      |        |        |        |       |      | REINFORCEMENT, Crossmember          |
|      | 5205 8772   | 1   | J    |        | 61, 77 |        |       |      | Right                               |
|      |             | 1   | U    |        | 77     |        |       |      | Right                               |
|      | 5205 8773   | 1   | J    |        | 61, 77 |        |       |      | Left                                |
|      |             | 1   | U    |        | 77     |        |       |      | Left                                |
| 23   |             |     |      |        |        |        |       |      | BRACKET, Frame Rail                 |
|      | 52058 420AB | 1   | J    |        | 61, 77 |        |       |      | Right                               |
|      |             | 1   | U    |        | 77     |        |       |      | Right                               |
|      | 52058 421AB | 1   | J    |        | 61, 77 |        |       |      | Left                                |
|      |             | 1   | U    |        | 77     |        |       |      | Left                                |
| 24   |             |     |      |        |        |        |       |      | BRACKET, Stabilizer Bar             |
|      | 5205 8632   | 2   | J    |        | 61, 77 |        |       |      |                                     |
|      |             | 2   | U    |        | 77     |        |       |      |                                     |
| 25   |             |     |      |        |        |        |       |      | BRACKET, Upper Control Arm          |
|      | 5003 834AC  | 1   | J    |        | 61, 77 |        |       |      | Right                               |
|      |             | 1   | U    |        | 77     |        |       |      | Right                               |
|      | 5003 835AC  | 1   | J    |        | 61, 77 |        |       |      | Left                                |
|      |             | 1   | U    |        | 77     |        |       |      | Left                                |
| 26   | 52058 551AB | 1   |      |        |        |        |       |      | MOUNT, Transmission, Trans. Support |
| 27   |             |     |      |        |        |        |       |      | SKID PLATE, Support                 |
|      | 52059 501AB | 1   | J    |        | 61, 77 |        |       |      |                                     |
|      |             | 1   | U    |        | 77     |        |       |      |                                     |
| -28  | 6506 629AA  | 2   |      |        |        |        |       |      | NUT, Rivet                          |

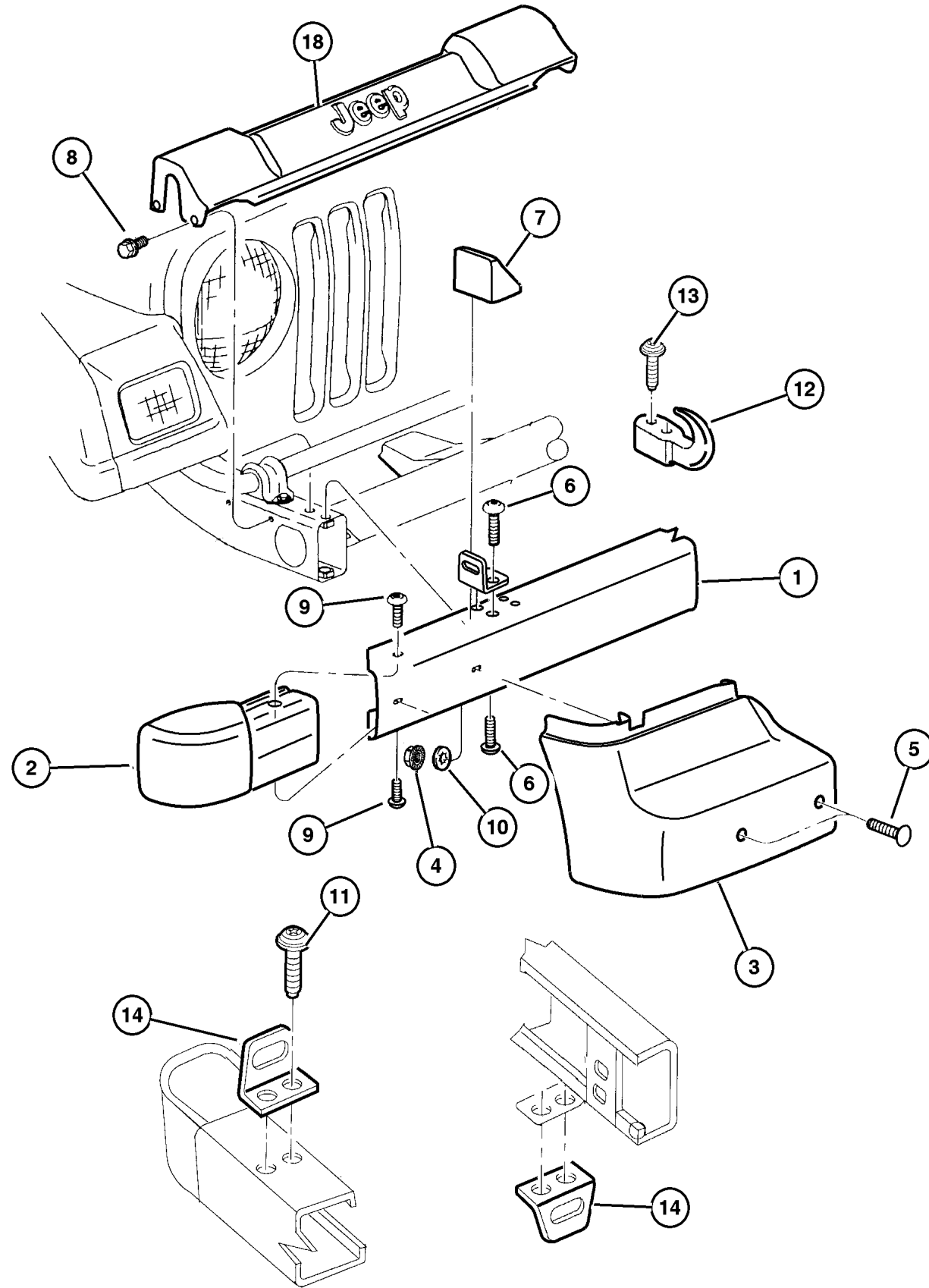
JEEP WRANGLER (TJ)

|             |                        |              |                       |                              |
|-------------|------------------------|--------------|-----------------------|------------------------------|
| SERIES      | LINE                   | BODY         | ENGINE                | TRANSMISSION                 |
| H = Sport   | J = Wrangler 4WD       | 77 = 93.4 WB | ED1, ED0 = 2.4L DOHC  | DGG, DGD = 32RH 3 Spd. Auto. |
| L = SE      | U = Wrangler 4WD (RHD) |              | ERH = 4.0L Power Tech | DDD = 5 Speed HD Manual      |
| M = X       |                        |              |                       | DG0 = Auto. Trans.           |
| P = Sahara  |                        |              |                       | DBB = Manual Trans.          |
| S = Rubicon |                        |              |                       | DDK = 5 Speed Manual         |

AR = Use as required - = Non illustrated part # = New this model year

August 27, 2004

## Bumper, Front Figure 013-210



| ITEM | PART NUMBER | QTY | LINE | SERIES | BODY | ENGINE | TRANS | TRIM | DESCRIPTION                                    |
|------|-------------|-----|------|--------|------|--------|-------|------|--|
| 1    | 5ED16 JX8AF | 1   |      |        |      |        |       |      | BAR, Bumper Front - Painted                    |
| 2    |             |     |      |        |      |        |       |      | EXTENSION, Bumper                              |
|      | 55155 762AA | 1   |      |        |      |        |       |      | Export, Right                                  |
|      | 55155 763AA | 1   |      |        |      |        |       |      | Export, Left                                   |
| 3    | 55155 667AF | 1   |      |        |      |        |       |      | COVER, Bumper                                  |
| 4    | 6100 840    | 4   |      |        |      |        |       |      | NUT, Spring                                    |
| 5    | 6504 723    | 4   |      |        |      |        |       |      | BOLT   |
| 6    |             |     |      |        |      |        |       |      | SCREW, Pan Head, (NOT SERVICED) (Not Serviced) |
| 7    |             |     |      |        |      |        |       |      | CAP, (NOT SERVICED) (Not Serviced)             |
| 8    | 6501 925    | 4   |      |        |      |        |       |      | PIN, Splash Shield                             |
| 9    | 6504 212    | 2   |      |        |      |        |       |      | SCREW, Large Round Washer Head                 |
| 10   | 6100 840    | 4   |      |        |      |        |       |      | Lock, M6x1.00x20.00                            |
| 11   |             |     |      |        |      |        |       |      | SCREW, (NOT SERVICED) (Not Serviced)           |
| 12   |             |     |      |        |      |        |       |      | HOOK, Tow                                      |
|      | 5205 9015   | 1   |      |        |      |        |       |      | Right  |
|      | 5205 9016   | 1   |      |        |      |        |       |      | Left   |
| 13   |             |     |      |        |      |        |       |      | SCREW, (NOT SERVICED) (Not Serviced)           |
| 14   |             |     |      |        |      |        |       |      | HOOK, Tow                                      |
|      | 5205 9015   | 1   |      |        |      |        |       |      | Left Front                                     |
|      | 5205 9016   | 1   |      |        |      |        |       |      | Right Front                                    |
|      | 52060 039AA | 1   |      |        |      |        |       |      | Rear   |
| -15  |             |     |      |        |      |        |       |      | SCREW, (NOT SERVICED) (Not Serviced)           |
| -16  | 6504 662    | 4   | J    |        |      |        |       |      | RETAINER, Push On                              |
| -17  |             |     |      |        |      |        |       |      | NUT, (NOT SERVICED) (Not Serviced)             |
| 18   | 55155 667AF | 1   |      |        |      |        |       |      | COVER, Bumper                                  |
| -19  | 52000 240AC | 2   |      |        |      |        |       |      | GUARD, Bumper                                  |
| -20  | 52059 191AA | 2   |      |        |      |        |       |      | EYE, Tow                                       |
| -21  | J400 6126   | 2   |      |        |      |        |       |      | NUT, Plastic                                   |

**JEEP WRANGLER (TJ)**

|             |                        |              |                       |                              |
|-------------|------------------------|--------------|-----------------------|------------------------------|
| SERIES      | LINE                   | BODY         | ENGINE                | TRANSMISSION                 |
| H = Sport   | J = Wrangler 4WD       | 77 = 93.4 WB | ED1, ED0 = 2.4L DOHC  | DGG, DGD = 32RH 3 Spd. Auto. |
| L = SE      | U = Wrangler 4WD (RHD) |              | ERH = 4.0L Power Tech | DDD = 5 Speed HD Manual      |
| M = X       |                        |              |                       | DG0 = Auto. Trans.           |
| P = Sahara  |                        |              |                       | DBB = Manual Trans.          |
| S = Rubicon |                        |              |                       | DDK = 5 Speed Manual         |

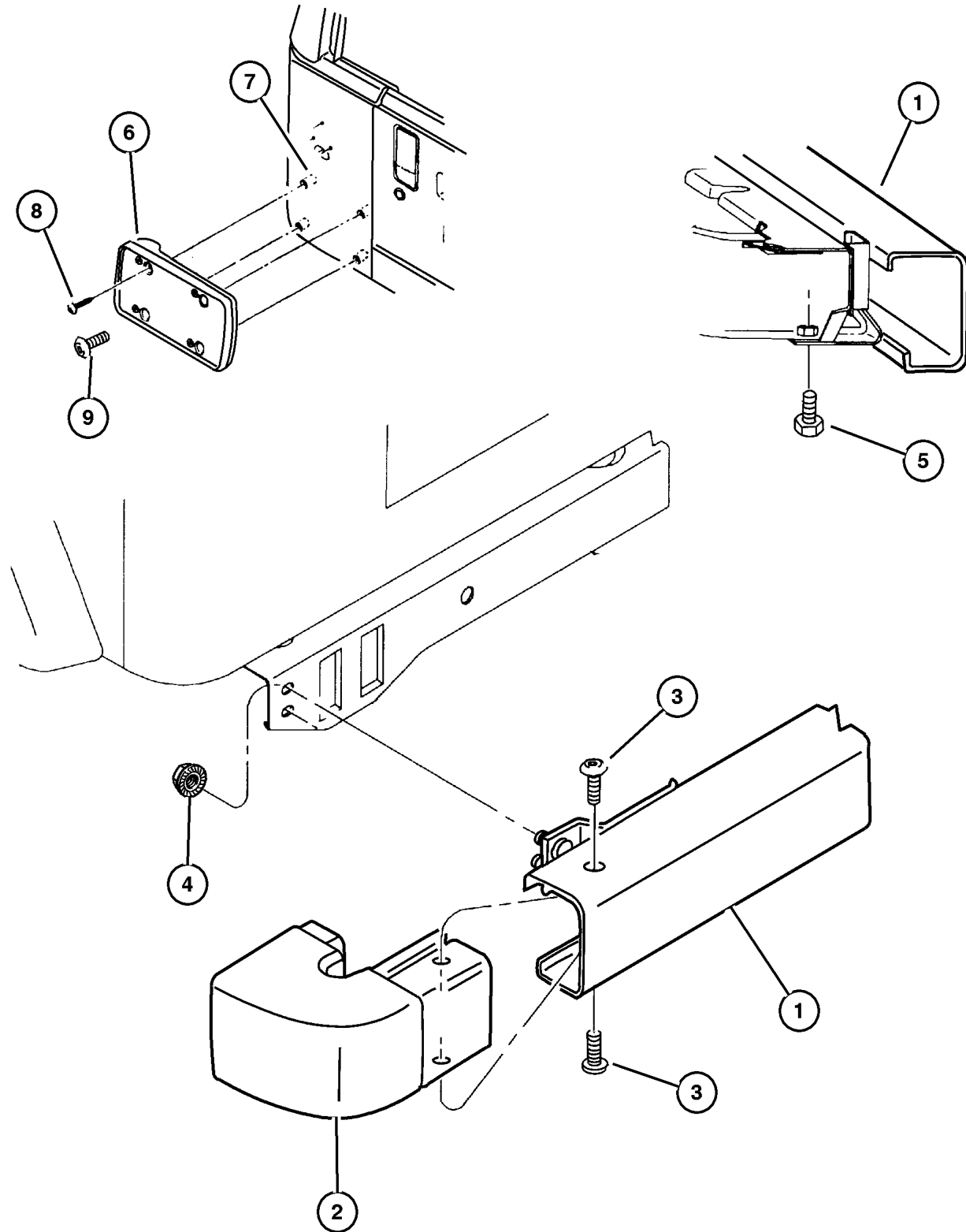
AR = Use as required - = Non illustrated part # = New this model year

August 27, 2004



## Bumper, Rear Figure 013-310

| ITEM | PART NUMBER | QTY | LINE | SERIES | BODY | ENGINE | TRANS | TRIM | DESCRIPTION  |
|------|-------------|-----|------|--------|------|--------|-------|------|--|
| 1    |             |     |      |        |      |        |       |      | BAR, Bumper Rear - Black   |
|      | 5ED18 JX8AB | 1   | J    |        |      |        |       |      |  |
|      | 5EY03 JX8AE | 1   |      |        |      |        |       |      | Export   |
| 2    |             |     |      |        |      |        |       |      | EXTENSION, Bumper  |
|      | 55155 760AB | 1   | J    |        |      |        |       |      | Right  |
|      | 55155 761AB | 1   | J    |        |      |        |       |      | Left   |
|      | 55155 762AA | 1   |      |        |      |        |       |      | Export, Right  |
|      | 55155 763AA | 1   |      |        |      |        |       |      | Export, Left   |
| 3    | 6504 212    | 2   |      |        |      |        |       |      | SCREW, Large Round Washer Head   |
|      |             |     |      |        |      |        |       |      | Lock, M6x1.00x20.00  |
| 4    |             |     |      |        |      |        |       |      | NUT, Hex, .437-14, (NOT REQUIRED)  |
| 5    | 6505 381AA  | 2   |      |        |      |        |       |      | SCREW AND WASHER, Hex Head   |
| 6    | 5515 5193   | 1   |      |        |      |        |       |      | BRACKET, License Plate, Export   |
| 7    | 6504 662    | 4   | J    |        |      |        |       |      | RETAINER, Push On  |
| 8    |             |     |      |        |      |        |       |      | SCREW, (NOT SERVICED) (Not Serviced)   |
| 9    | 3420 1686   | 2   |      |        |      |        |       |      | BOLT, Hex Flange Head, M12x1.18x35   |
| -10  | 52060 039AA | 1   |      |        |      |        |       |      | HOOK, Tow  |
| -11  | 52059 191AA | 2   |      |        |      |        |       |      | EYE, Tow   |
| -12  | 6505 381AA  | 2   |      |        |      |        |       |      | SCREW AND WASHER, Hex Head   |
| -13  |             |     |      |        |      |        |       |      | NUT AND WASHER, Hex Lock Nut-Coned Washer, M12 x 1.75, (NOT SERVICED) (Not Serviced) |



### JEEP WRANGLER (TJ)

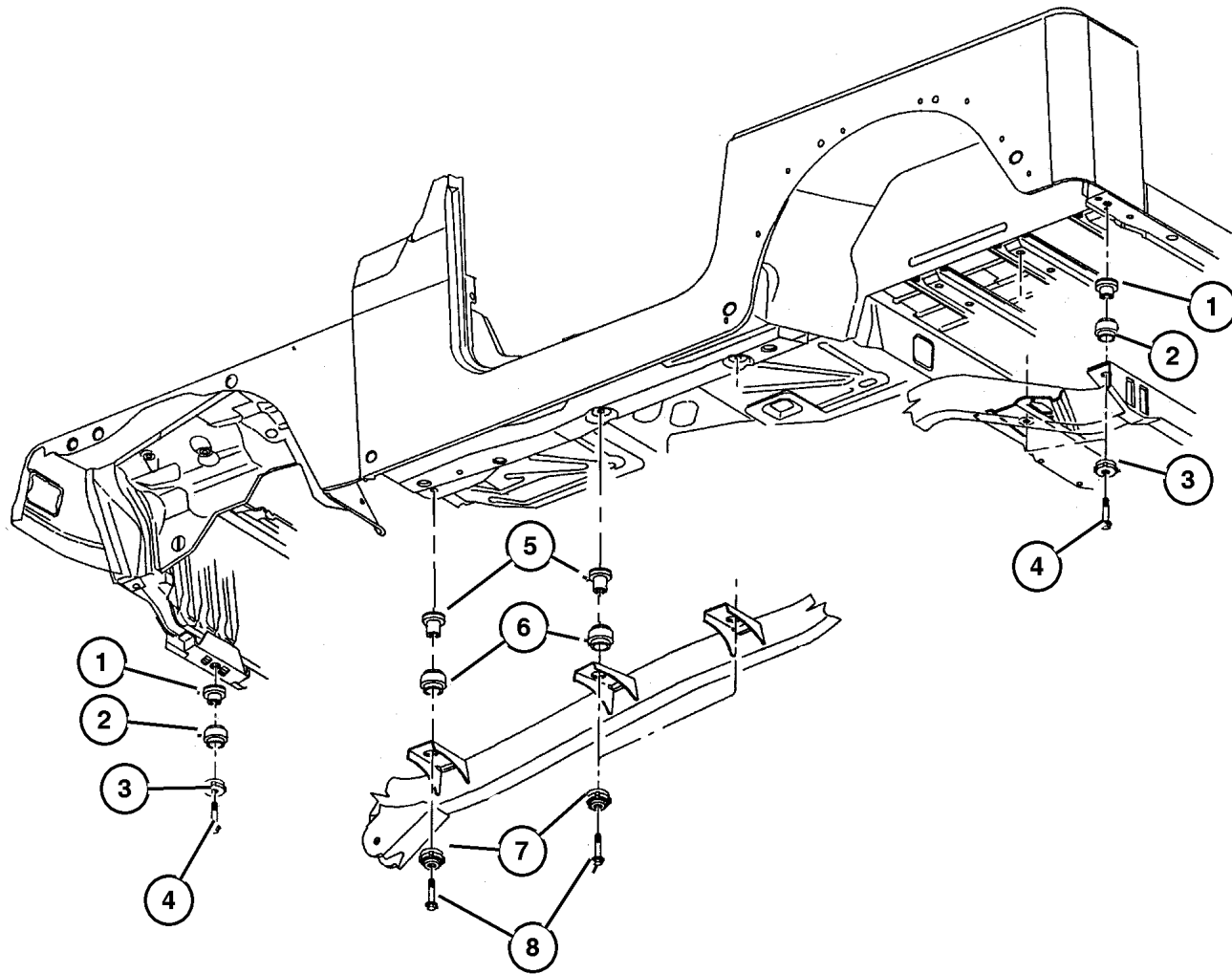
|             |                        |              |                       |                              |
|-------------|------------------------|--------------|-----------------------|------------------------------|
| SERIES      | LINE                   | BODY         | ENGINE                | TRANSMISSION                 |
| H = Sport   | J = Wrangler 4WD       | 77 = 93.4 WB | ED1, ED0 = 2.4L DOHC  | DGG, DGD = 32RH 3 Spd. Auto. |
| L = SE      | U = Wrangler 4WD (RHD) |              | ERH = 4.0L Power Tech | DDD = 5 Speed HD Manual      |
| M = X       |                        |              |                       | DG0 = Auto. Trans.           |
| P = Sahara  |                        |              |                       | DBB = Manual Trans.          |
| S = Rubicon |                        |              |                       | DDK = 5 Speed Manual         |

AR = Use as required - = Non illustrated part # = New this model year

August 27, 2004

## Body Mounting Hardware Figure 013-510

| ITEM | PART NUMBER | QTY | LINE | SERIES | BODY | ENGINE | TRANS | TRIM | DESCRIPTION  |
|------|-------------|-----|------|--------|------|--------|-------|------|--|
| 1    | 5200 1961   | 6   |      |        |      |        |       |      | RETAINER, Body Mount   |
| 2    | 5517 6179   | 5   |      |        |      |        |       |      | INSULATOR, Body Hold Down  |
| 3    | 5517 6178   | 5   |      |        |      |        |       |      | INSULATOR, Body Hold Down  |
| 4    |             |     |      |        |      |        |       |      | SCREW, .437-14x.75, Use J4007412, (NOT SERVICED) (Not Serviced)    |
| 5    | 5200 1961   | 6   |      |        |      |        |       |      | RETAINER, Body Mount   |
| 6    | 55176 177AB | 6   |      |        |      |        |       |      | INSULATOR, Body Hold Down  |
| 7    | 5517 6180   | 6   |      |        |      |        |       |      | INSULATOR, Body Hold Down  |
| 8    |             |     |      |        |      |        |       |      | SCREW, Hex Flange Head, .50-13x3.75, (NOT SERVICED) (Not Serviced) |



### JEEP WRANGLER (TJ)

|             |                        |              |                       |                              |
|-------------|------------------------|--------------|-----------------------|------------------------------|
| SERIES      | LINE                   | BODY         | ENGINE                | TRANSMISSION                 |
| H = Sport   | J = Wrangler 4WD       | 77 = 93.4 WB | ED1, ED0 = 2.4L DOHC  | DGG, DGD = 32RH 3 Spd. Auto. |
| L = SE      | U = Wrangler 4WD (RHD) |              | ERH = 4.0L Power Tech | DDD = 5 Speed HD Manual      |
| M = X       |                        |              |                       | DG0 = Auto. Trans.           |
| P = Sahara  |                        |              |                       | DBB = Manual Trans.          |
| S = Rubicon |                        |              |                       | DDK = 5 Speed Manual         |

AR = Use as required - = Non illustrated part # = New this model year

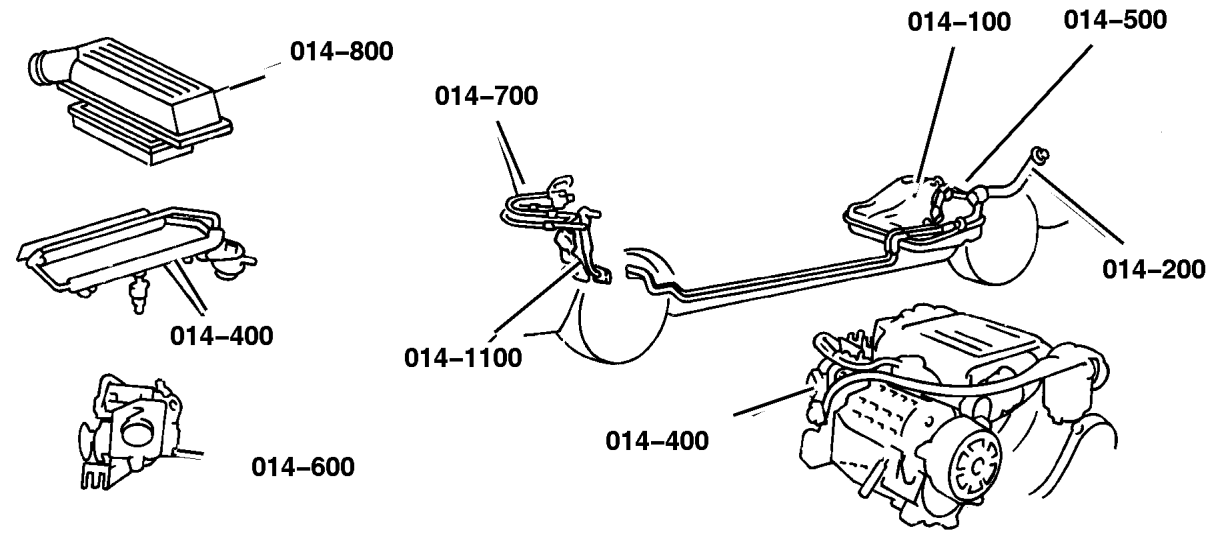
August 27, 2004

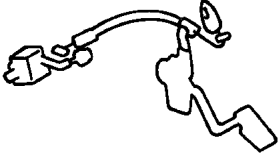

# Group – 014


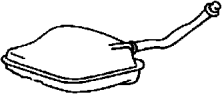
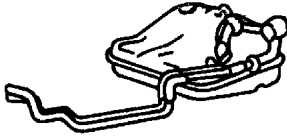
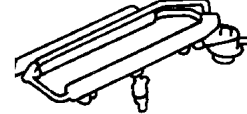
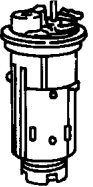

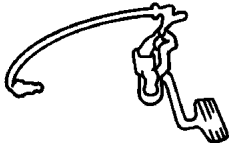
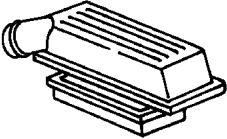
## Fuel

# Group – 014

## Fuel



|  |  |  |  |
|--|--|--|--|
| <p><b>014-1000</b><br/>Speed Control</p>  | <p><b>014-1100</b><br/>Accelerator Pedal</p>  |  |  |
|--|--|--|--|

|  |   |  |   |
|--|---|--|---|
| <p><b>014-100</b><br/>Tank, Fuel</p>                  | <p><b>014-200</b><br/>Fuel Tank Filler Tube</p>  | <p><b>014-300</b><br/>Fuel Lines</p>         | <p><b>014-400</b><br/>Fuel Rail</p>    |
| <p><b>014-500</b><br/>Fuel Pump and Sending Unit</p>  | <p><b>014-600</b><br/>Throttle Body</p>          | <p><b>014-700</b><br/>Throttle Controls</p>  | <p><b>014-800</b><br/>Air Cleaner</p>  |

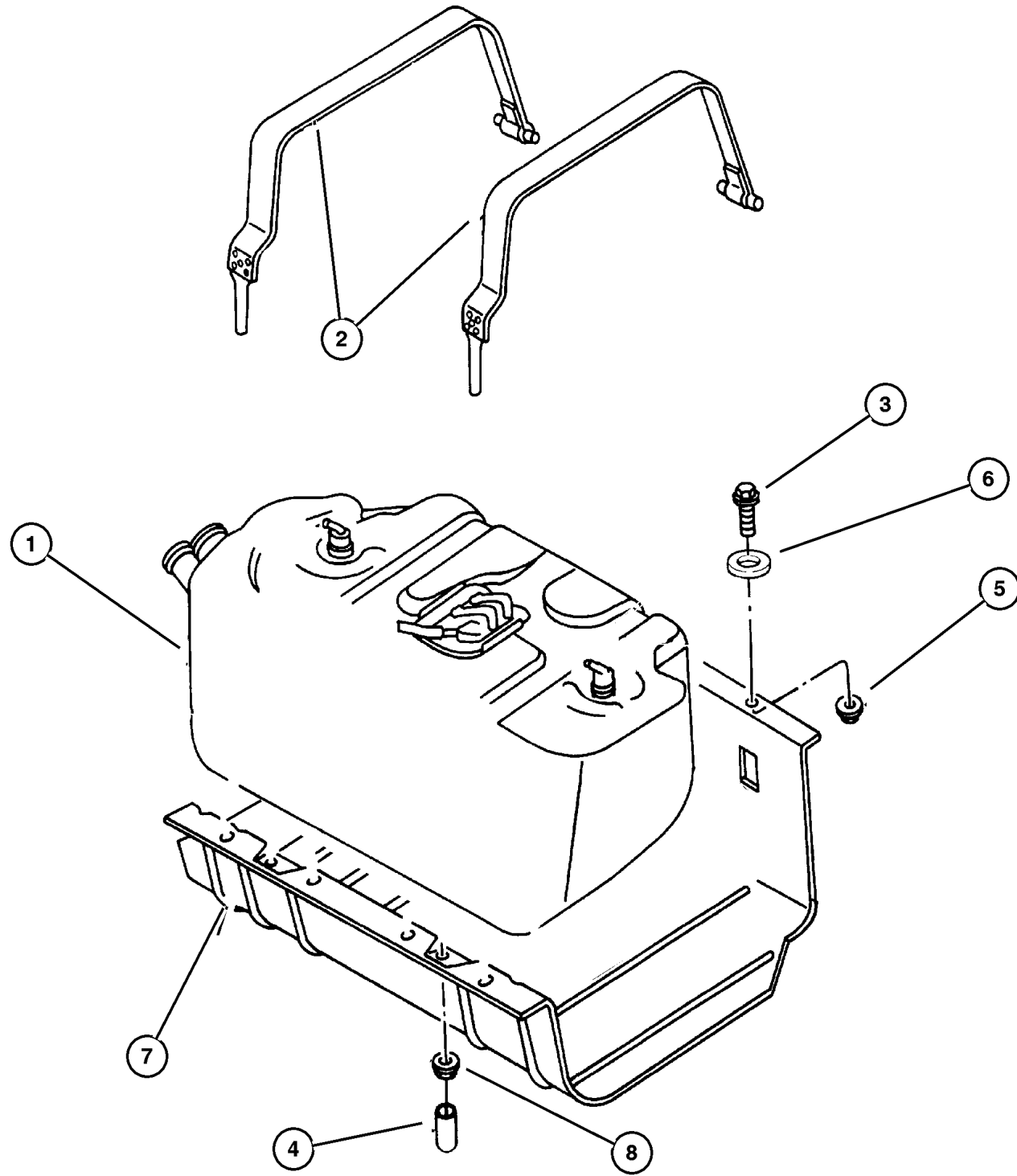
---

## GROUP 14 - Fuel

| Illustration Title                                   | Group-Fig. No. |
|--|----------------|
| <b>Tank, Fuel</b>                                    |                |
| Fuel Tank, 2.4 (ED1), 4.0 (ERH) .....                | Fig. 014-110   |
| <b>Fuel Tank Filler Tube</b>                         |                |
| Fuel Filler Tube, 2.4 (ED1), 4.0 (ERH) .....         | Fig. 014-210   |
| <b>Fuel Lines</b>                                    |                |
| Fuel Lines, Front, 2.4 (ED1) 4.0 (ERH) .....         | Fig. 014-310   |
| Fuel Lines, Rear, Chassis 2.4L (ED1) 4.0 (ERH) ..... | Fig. 014-320   |
| <b>Fuel Rail</b>                                     |                |
| Fuel Injection System, 2.4 (ED1), 4.0 (ERH) .....    | Fig. 014-410   |
| <b>Fuel Pump and Sending Unit</b>                    |                |
| Fuel Module, 2.4 (ED1), 4.0 (ERH) .....              | Fig. 014-510   |
| <b>Throttle Body</b>                                 |                |
| Throttle Body, 2.4 (ED1), 4.0 (ERH) .....            | Fig. 014-610   |
| <b>Throttle Controls</b>                             |                |
| Throttle Controls, 2.4 (ED1), 4.0 (ERH) .....        | Fig. 014-710   |
| <b>Air Cleaner</b>                                   |                |
| Air Cleaner, 2.4 (ED1), 4.0 (ERH) .....              | Fig. 014-810   |
| <b>Speed Control</b>                                 |                |
| Speed Control, 2.4 (ED1), 4.0 (ERH) .....            | Fig. 014-1010  |
| <b>Accelerator Pedal</b>                             |                |
| Accelerator Pedal, 2.4 (ED1), 4.0 (ERH) .....        | Fig. 014-1110  |



Fuel Tank, 2.4 (ED1), 4.0 (ERH)  
Figure 014-110



| ITEM  | PART NUMBER | QTY | LINE | SERIES | BODY | ENGINE      | TRANS | TRIM | DESCRIPTION                        |
|---|-------------|-----|------|--------|------|-------------|-------|------|------------------------------------|
| NOTE: ED1=All 2.4L Gas Engines ER0=All 4.0L Engines |             |     |      |        |      |             |       |      |                                    |
| 1   | 52059 617AE | 1   |      |        |      | ED1,<br>ER0 |       |      | TANK, Fuel - Plastic               |
| 2   | 52100 235AC | 2   |      |        |      |             |       |      | STRAP, Fuel Tank                   |
| 3   | J400 5819   | 7   |      |        |      |             |       |      | BOLT, .312-18x.750                 |
| 4   | 5201 8098   | 2   |      |        |      |             |       |      | CAP, Support Strap Stud            |
| 5   | J400 3587   | 2   |      |        |      |             |       |      | NUT, Hex                           |
| 6   | J400 5293   | 7   |      |        |      |             |       |      | RETAINER, Push In Type M6.3 Hole   |
| 7   | 52100 219AB | 1   |      |        |      |             |       |      | PLATE, Skid, With Sales Code XEE   |
| 8   | J400 3587   | 2   |      |        |      |             |       |      | NUT, Hex                           |
| -9  | 6025 008    | 7   |      |        |      |             |       |      | NUT, Fuel Tank Skid Plate to Frame |

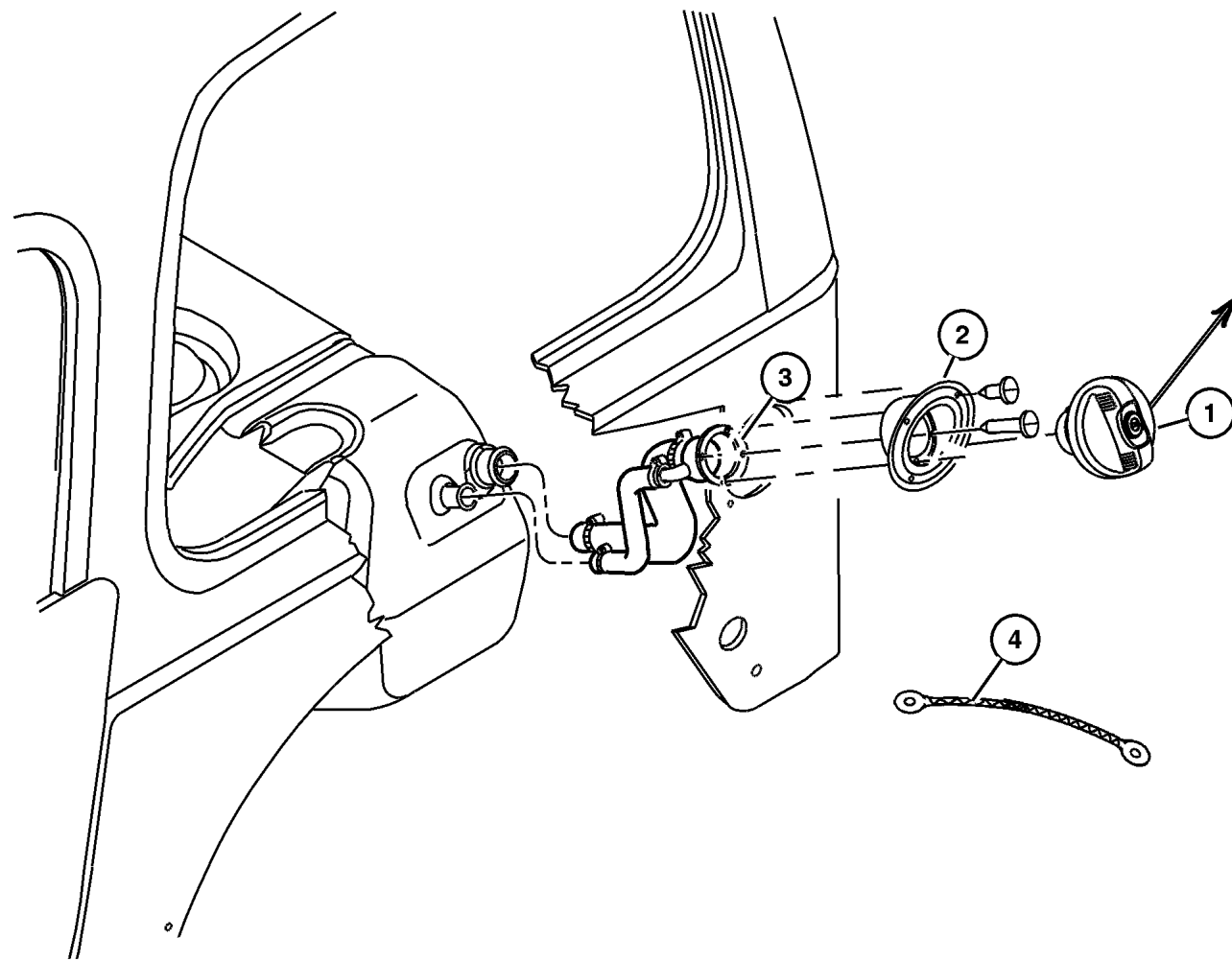
JEEP WRANGLER (TJ)

| SERIES      | LINE                   | BODY         | ENGINE                | TRANSMISSION                 |
|-------------|------------------------|--------------|-----------------------|------------------------------|
| H = Sport   | J = Wrangler 4WD       | 77 = 93.4 WB | ED1, ED0 = 2.4L DOHC  | DGG, DGD = 32RH 3 Spd. Auto. |
| L = SE      | U = Wrangler 4WD (RHD) |              | ERH = 4.0L Power Tech | DDD = 5 Speed HD Manual      |
| M = X       |                        |              |                       | DG0 = Auto. Trans.           |
| P = Sahara  |                        |              |                       | DBB = Manual Trans.          |
| S = Rubicon |                        |              |                       | DDK = 5 Speed Manual         |

AR = Use as required - = Non illustrated part # = New this model year

August 27, 2004

Fuel Filler Tube, 2.4 (ED1), 4.0 (ERH)  
Figure 014-210



| ITEM  | PART NUMBER | QTY | LINE | SERIES | BODY   | ENGINE   | TRANS | TRIM | DESCRIPTION   |
|---|-------------|-----|------|--------|--------|----------|-------|------|---|
| NOTE: EP0=All 2.5L Gas Engines ER0=All 4.0L Engines |             |     |      |        |        |          |       |      |   |
| 1   | 52100 552AE | 1   |      |        | 77, 78 |          |       |      | CAP, Fuel Filler Export                                 |
|   | 52100 553AE | 1   |      |        | 77, 78 |          |       |      |   |
| 2   | 52127 675AE | 1   |      |        |        |          |       |      | HOUSING, Fuel Filler                                    |
| 3   | 52100 495AI | 1   |      |        |        | ED1, ER0 |       |      | TUBE, Fuel Filler                                       |
| 4   | 5600 9161   | 1   |      |        |        |          |       |      | STRAP, Ground   |
| -5  | 5016 763AC  | 1   |      |        |        |          |       |      | CAP KIT, Fuel Tank Locking                              |
| -6  | 6104 507AA  | 4   |      |        |        |          |       |      | SCREW, Fuel Filler Housing to Body                      |
| -7  | 6036 163AA  | 4   |      |        |        |          |       |      | SCREW, .19-16x1.00                                      |
| -8  | 6036 214AA  | AR  |      |        |        |          |       |      | SCREW, Pan Head Tapping, .25-14x1, Fuel Filler to Bezel |

JEEP WRANGLER (TJ)

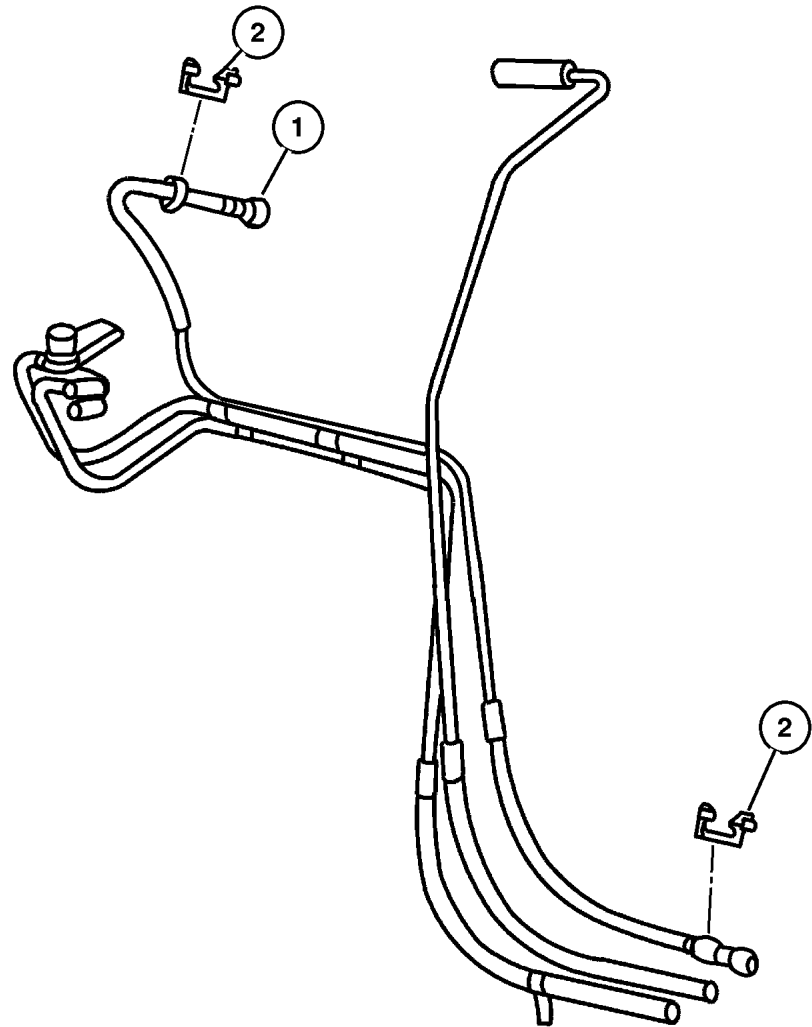
| SERIES      | LINE                   | BODY         | ENGINE                | TRANSMISSION                 |
|-------------|------------------------|--------------|-----------------------|------------------------------|
| H = Sport   | J = Wrangler 4WD       | 77 = 93.4 WB | ED1, ED0 = 2.4L DOHC  | DGG, DGD = 32RH 3 Spd. Auto. |
| L = SE      | U = Wrangler 4WD (RHD) |              | ERH = 4.0L Power Tech | DDD = 5 Speed HD Manual      |
| M = X       |                        |              |                       | DG0 = Auto. Trans.           |
| P = Sahara  |                        |              |                       | DBB = Manual Trans.          |
| S = Rubicon |                        |              |                       | DDK = 5 Speed Manual         |

AR = Use as required - = Non illustrated part # = New this model year

August 27, 2004

Fuel Lines, Front,2.4 (ED1) 4.0 (ERH)  
Figure 014-310

| ITEM                           | PART NUMBER | QTY | LINE | SERIES | BODY | ENGINE | TRANS | TRIM | DESCRIPTION                         |
|--------------------------------|-------------|-----|------|--------|------|--------|-------|------|-------------------------------------|
| Note; ERO= All 4.0 Gas Engines |             |     |      |        |      |        |       |      |                                     |
| 1                              |             |     |      |        |      |        |       |      | BUNDLE, Fuel Line                   |
|                                | 52059 584AC | 1   |      |        |      | ER0    |       |      |                                     |
|                                | 52059 586AC | 1   |      |        | 77   | ED0    |       |      |                                     |
| 2                              |             |     |      |        |      |        |       |      | CLIP, Fuel, Serviced in Fuel Bundle |
|                                | 52850 680AA | 2   |      |        | 77   | ED0    |       |      |                                     |
|                                |             | 1   |      |        |      | ER0    |       |      |                                     |
| -3                             |             |     |      |        |      |        |       |      | BOLT, Hex Flange Head, M6x10        |
|                                | 6503 612    | 1   |      |        |      | ER0    |       |      | Fuel Line Support Bracket to Intake |
|                                |             | 2   |      |        | 77   | ED1    |       |      | Manifold                            |

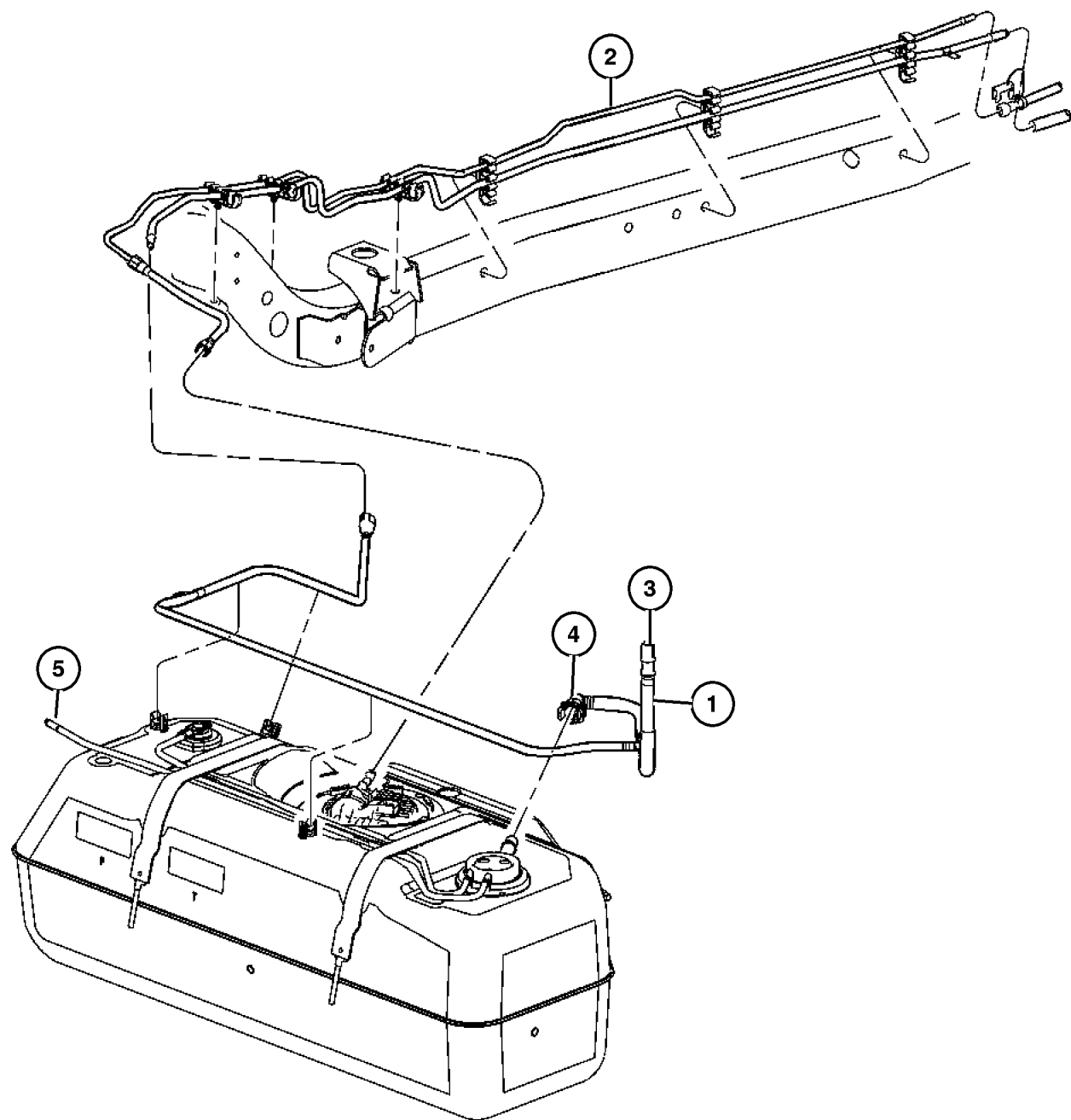


|                           |                        |              |                       |                              |
|---------------------------|------------------------|--------------|-----------------------|------------------------------|
| <b>JEEP WRANGLER (TJ)</b> |                        |              |                       |                              |
| SERIES                    | LINE                   | BODY         | ENGINE                | TRANSMISSION                 |
| H = Sport                 | J = Wrangler 4WD       | 77 = 93.4 WB | ED1, ED0 = 2.4L DOHC  | DGG, DGD = 32RH 3 Spd. Auto. |
| L = SE                    | U = Wrangler 4WD (RHD) |              | ERH = 4.0L Power Tech | DDD = 5 Speed HD Manual      |
| M = X                     |                        |              |                       | DG0 = Auto. Trans.           |
| P = Sahara                |                        |              |                       | DBB = Manual Trans.          |
| S = Rubicon               |                        |              |                       | DDK = 5 Speed Manual         |

AR = Use as required - = Non illustrated part # = New this model year

August 27, 2004

Fuel Lines, Rear, Chassis 2.4L (ED1) 4.0 (ERH)  
Figure 014-320



| ITEM                                       | PART NUMBER | QTY | LINE | SERIES | BODY | ENGINE      | TRANS | TRIM | DESCRIPTION  |
|--|-------------|-----|------|--------|------|-------------|-------|------|--|
| Note; ED0= All 2.4L 4 Cylinder Gas Engines |             |     |      |        |      |             |       |      |  |
| ER0= All 4.0L 6 Cylinder Gas Engines       |             |     |      |        |      |             |       |      |  |
| 1  | 52059 585AC | 1   |      |        |      | ED0,<br>ER0 |       |      | TUBE, Control Valve to Canister                    |
| 2  |             |     |      |        |      |             |       |      | BUNDLE, Fuel Supply and Vapor Lines                |
|  | 52059 584AC | 1   |      |        |      | ER0         |       |      |  |
|  | 52059 586AC | 1   |      |        | 77   | ED0         |       |      |  |
| 3  |             |     |      |        |      |             |       |      | VALVE, Flow Control, (NOT SERVICED) (Not Serviced) |
| 4  |             |     |      |        |      |             |       |      | CONNECTOR, (NOT SERVICED) (Not Serviced)           |
| 5  |             |     |      |        |      |             |       |      | CHECK VALVE, Fuel, (NOT SERVICED) (Not Serviced)   |

JEEP WRANGLER (TJ)

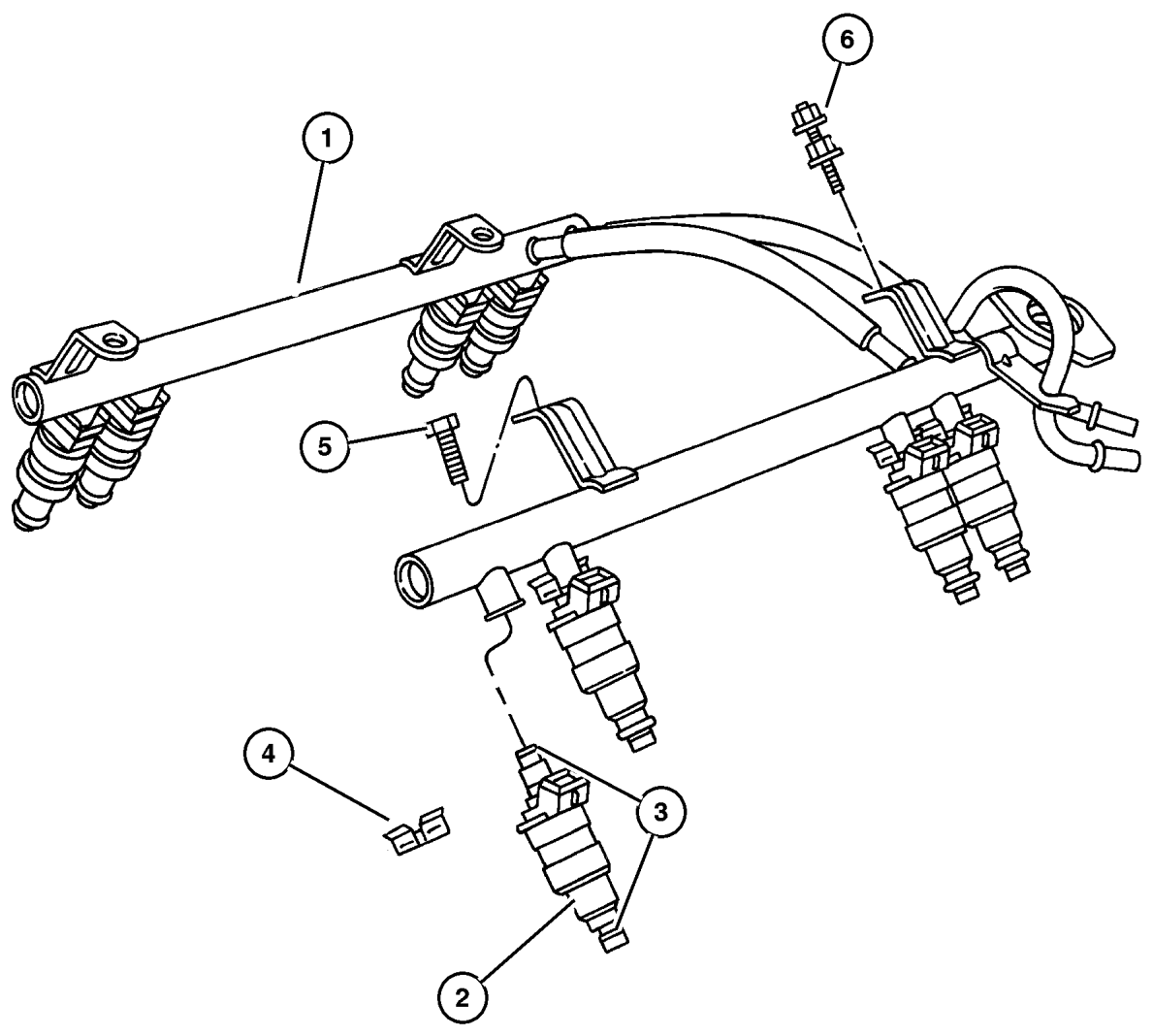
| SERIES      | LINE                   | BODY         | ENGINE                | TRANSMISSION                 |
|-------------|------------------------|--------------|-----------------------|------------------------------|
| H = Sport   | J = Wrangler 4WD       | 77 = 93.4 WB | ED1, ED0 = 2.4L DOHC  | DGG, DGD = 32RH 3 Spd. Auto. |
| L = SE      | U = Wrangler 4WD (RHD) |              | ERH = 4.0L Power Tech | DDD = 5 Speed HD Manual      |
| M = X       |                        |              |                       | DG0 = Auto. Trans.           |
| P = Sahara  |                        |              |                       | DBB = Manual Trans.          |
| S = Rubicon |                        |              |                       | DDK = 5 Speed Manual         |

AR = Use as required - = Non illustrated part # = New this model year

August 27, 2004



**Fuel Injection System, 2.4 (ED1), 4.0 (ERH)  
Figure 014-410**



| ITEM  | PART NUMBER | QTY | LINE | SERIES | BODY | ENGINE | TRANS | TRIM | DESCRIPTION                         |
|---|-------------|-----|------|--------|------|--------|-------|------|-------------------------------------|
| NOTE: EDO=All 2.4L Gas Engines ERO=All 4.0L Engines |             |     |      |        |      |        |       |      |                                     |
| 1   | 5014 496AD  | 1   |      |        |      | ERO    |       |      | RAIL, Fuel                          |
|   | 5135 582AA  | 1   |      |        |      | EDO    |       |      |                                     |
| 2   | 53013 656AA | 4   |      |        |      | EDO    |       |      | INJECTOR, Fuel                      |
|   | 53013 690AA | 4   |      |        |      | ERO    |       |      |                                     |
| 3   | 4897 125AA  | 6   |      |        |      | ERO    |       |      | O RING KIT, Fuel Injector           |
|   | 5103 149AA  | 4   |      |        |      | EDO    |       |      |                                     |
| 4   | 4418 257AB  | 4   |      |        |      | ERO    |       |      | CLIP, Fuel Injector                 |
|   | 53013 504AB | 4   |      |        |      | EDO    |       |      |                                     |
| 5   | 6501 979    | 2   |      |        |      | ERO    |       |      | SCREW AND WASHER, Hex Head, M6x1x17 |
| 6   | 6502 647    | 2   |      |        |      | ERO    |       |      | STUD, M6x1.00x44                    |
|   |             | 2   |      |        |      | EDO    |       |      |                                     |

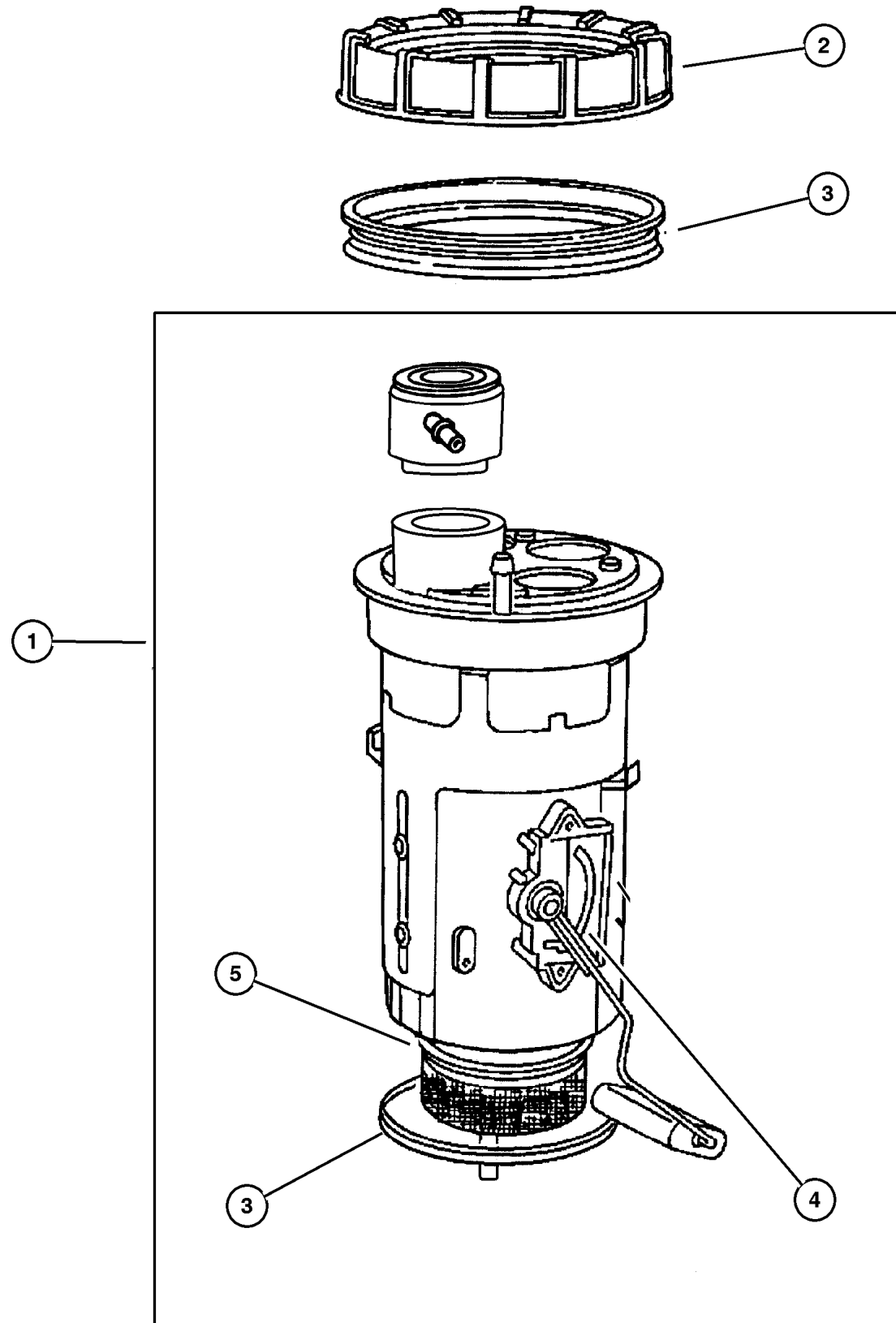
**JEEP WRANGLER (TJ)**

|             |                        |              |                       |                              |
|-------------|------------------------|--------------|-----------------------|------------------------------|
| SERIES      | LINE                   | BODY         | ENGINE                | TRANSMISSION                 |
| H = Sport   | J = Wrangler 4WD       | 77 = 93.4 WB | ED1, ED0 = 2.4L DOHC  | DGG, DGD = 32RH 3 Spd. Auto. |
| L = SE      | U = Wrangler 4WD (RHD) |              | ERH = 4.0L Power Tech | DDD = 5 Speed HD Manual      |
| M = X       |                        |              |                       | DG0 = Auto. Trans.           |
| P = Sahara  |                        |              |                       | DBB = Manual Trans.          |
| S = Rubicon |                        |              |                       | DDK = 5 Speed Manual         |

AR = Use as required - = Non illustrated part # = New this model year

August 27, 2004

Fuel Module, 2.4 (ED1), 4.0 (ERH)  
Figure 014-510



| ITEM  | PART NUMBER | QTY | LINE | SERIES | BODY | ENGINE      | TRANS | TRIM | DESCRIPTION   |
|---|-------------|-----|------|--------|------|-------------|-------|------|---|
| NOTE: ED0=All 2.4L Gas Engines ER0=All 4.0L Engines |             |     |      |        |      |             |       |      |   |
| 1   | 5161 335AB  | 1   |      |        |      | ED1,<br>ER0 |       |      | MODULE KIT, Fuel Pump/Level Unit  |
| 2   | 55366 299AA | 1   |      |        |      | ED1,<br>ER0 |       |      | RING, Lock, Fuel Module   |
| 3   | 55366 298AA | 1   |      |        |      | ED1,<br>ER0 |       |      | O RING, Fuel Pump and Level Unit  |
| 4   | 5161 336AA  | 1   |      |        |      | ED1,<br>ER0 |       |      | LEVEL UNIT KIT, Fuel  |
| 5   |             |     |      |        |      |             |       |      | FILTER, Fuel Module, Serviced in Module Assembly, (NOT SERVICED) (Not Serviced) |

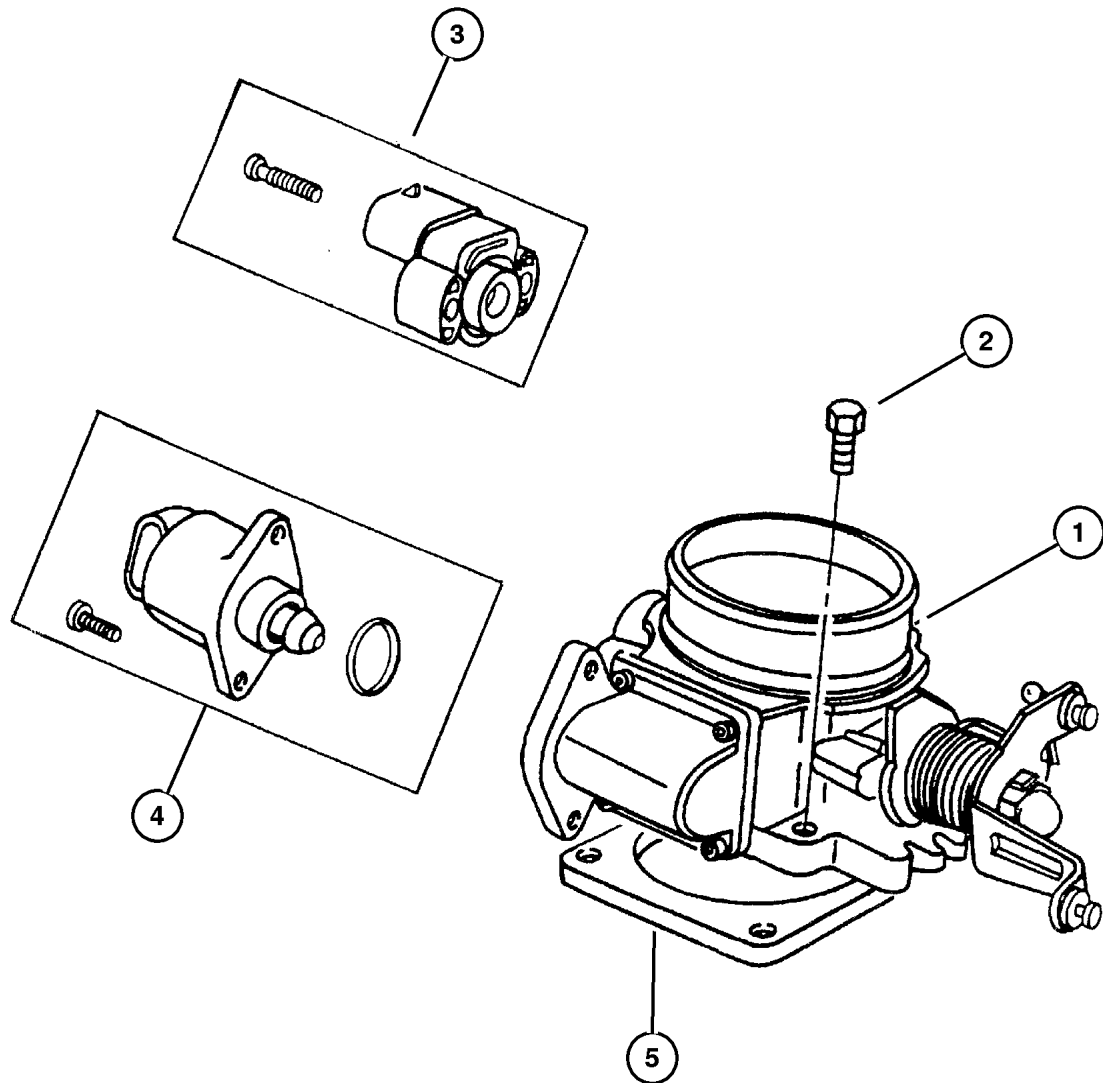
JEEP WRANGLER (TJ)

| SERIES      | LINE                   | BODY         | ENGINE                | TRANSMISSION                 |
|-------------|------------------------|--------------|-----------------------|------------------------------|
| H = Sport   | J = Wrangler 4WD       | 77 = 93.4 WB | ED1, ED0 = 2.4L DOHC  | DGG, DGD = 32RH 3 Spd. Auto. |
| L = SE      | U = Wrangler 4WD (RHD) |              | ERH = 4.0L Power Tech | DDD = 5 Speed HD Manual      |
| M = X       |                        |              |                       | DG0 = Auto. Trans.           |
| P = Sahara  |                        |              |                       | DBB = Manual Trans.          |
| S = Rubicon |                        |              |                       | DDK = 5 Speed Manual         |

AR = Use as required - = Non illustrated part # = New this model year

August 27, 2004

Throttle Body, 2.4 (ED1), 4.0 (ERH)  
Figure 014-610



| ITEM  | PART NUMBER | QTY | LINE | SERIES | BODY | ENGINE | TRANS | TRIM | DESCRIPTION                            |
|---|-------------|-----|------|--------|------|--------|-------|------|--|
| NOTE: ED1=All 2.4L Gas Engines ER0=All 4.0L Engines |             |     |      |        |      |        |       |      |  |
| 1   |             |     |      |        |      |        |       |      | THROTTLE BODY                          |
|   | 5140 896AA  | 1   |      |        |      | ED0    |       |      |  |
|   | 5161 510AA  | 1   |      |        |      | ER0    |       |      |  |
| 2   | 6503 929    | 4   |      |        |      | ER0    |       |      | SCREW AND WASHER, Coned Pilot, M6x1x30 |
| 3   | 5019 411AC  | 1   |      |        |      | ED0    |       |      | SENSOR KIT, Throttle Position          |
| 4   |             |     |      |        |      |        |       |      | SOLENOID, Linear IACV                  |
|   | 4861 325AD  | 1   |      |        |      | ED0    |       |      |  |
|   | 4861 552AC  | 1   |      |        |      | ER0    |       |      |  |
| 5   |             |     |      |        |      |        |       |      | GASKET, Throttle Body To Intake        |
|   | 53007 543AB | 1   |      |        |      | ER0    |       |      |  |
|   | 53013 533AA | 1   |      |        |      | ED0    |       |      |  |
| -6  | 5300 9672   | 1   |      |        |      | ER0    |       |      | CONNECTOR, Emission Hose               |

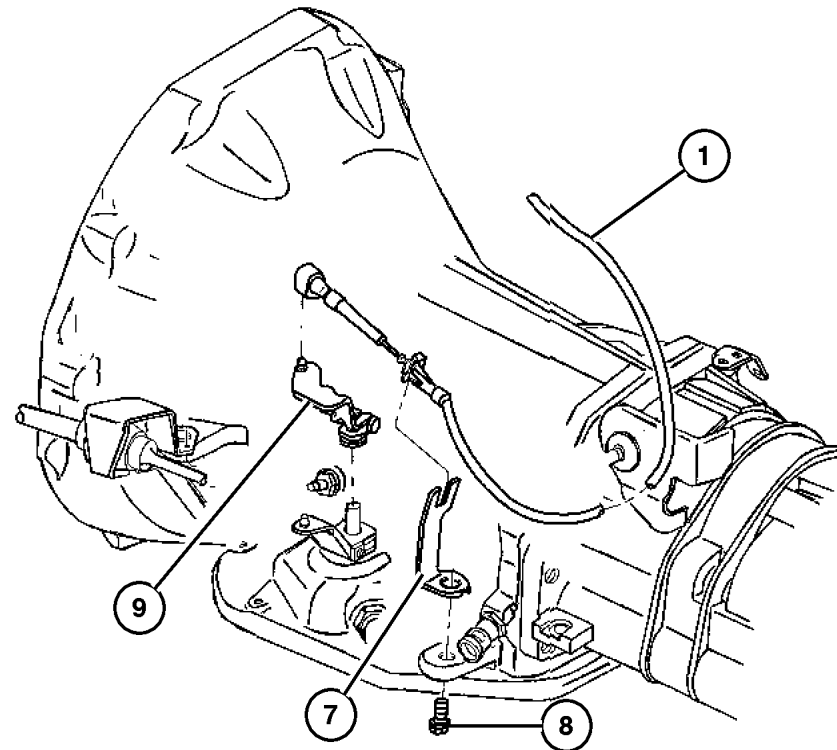
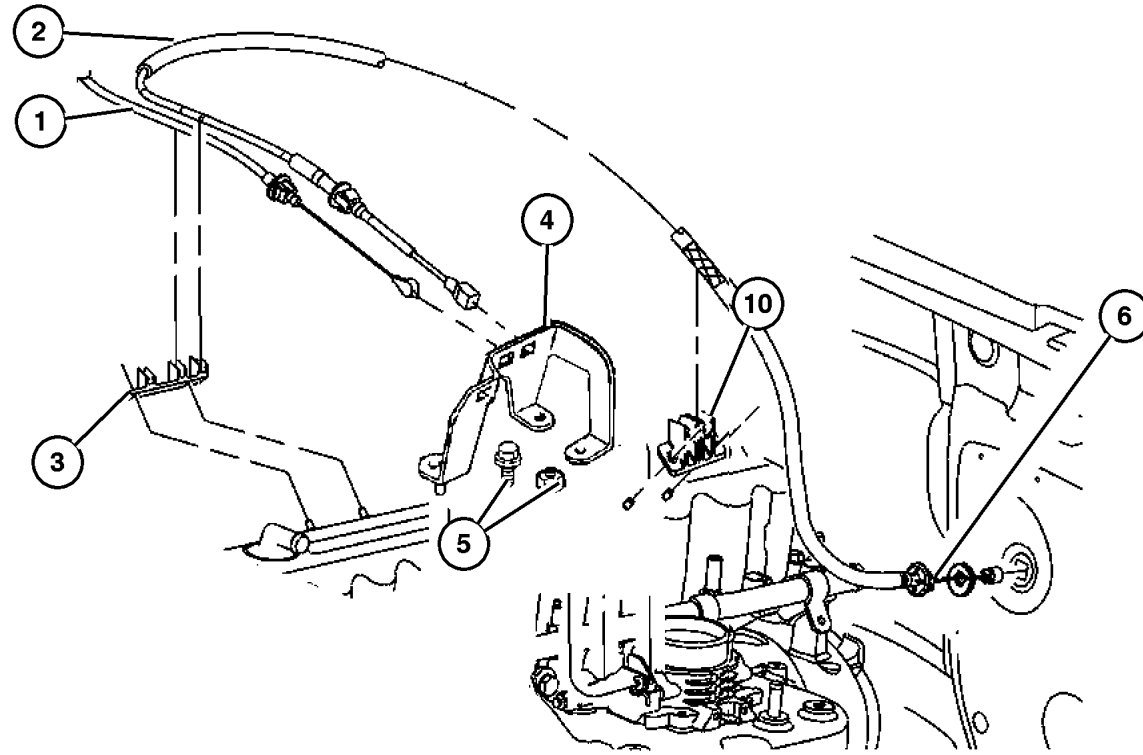
JEEP WRANGLER (TJ)

| SERIES      | LINE                   | BODY         | ENGINE                | TRANSMISSION                 |
|-------------|------------------------|--------------|-----------------------|------------------------------|
| H = Sport   | J = Wrangler 4WD       | 77 = 93.4 WB | ED1, ED0 = 2.4L DOHC  | DGG, DGD = 32RH 3 Spd. Auto. |
| L = SE      | U = Wrangler 4WD (RHD) |              | ERH = 4.0L Power Tech | DDD = 5 Speed HD Manual      |
| M = X       |                        |              |                       | DG0 = Auto. Trans.           |
| P = Sahara  |                        |              |                       | DBB = Manual Trans.          |
| S = Rubicon |                        |              |                       | DDK = 5 Speed Manual         |

AR = Use as required - = Non illustrated part # = New this model year

August 27, 2004

Throttle Controls, 2.4 (ED1), 4.0 (ERH)  
Figure 014-710



| ITEM   | PART NUMBER | QTY | LINE | SERIES | BODY | ENGINE | TRANS | TRIM | DESCRIPTION   |
|--|-------------|-----|------|--------|------|--------|-------|------|---|
| NOTE: ED1=All 2.4L Gas Engines ER0=All 4.0L Engines DBB=All Manual Transmissions DG0=All Automatic Transmissions |             |     |      |        |      |        |       |      |   |
| 1  |             |     |      |        |      |        |       |      | CABLE, Speed Control  |
|  | 52109 524AD | 1   |      |        |      | ER0    |       |      |   |
|  | 52109 527AB | 1   |      |        |      | ED1    |       |      |   |
| 2  |             |     |      |        |      |        |       |      | CABLE, Accelerator  |
|  | 4854 137    | 1   |      |        |      | ER0    |       |      |   |
|  | 52109 501AB | 1   | J    |        |      | ED0    |       |      |   |
| 3  | 5207 9029   | 1   |      |        |      | ER0    |       |      | GUIDE, Accelerator Cable  |
| 4  | 53013 160AA | 1   |      |        |      | ER0    |       |      | BRACKET, Accelerator Cable  |
| 5  | 6501 979    | 2   |      |        |      | ER0    |       |      | SCREW AND WASHER, Hex Head, M6x1x17   |
| 6  |             |     |      |        |      |        |       |      | PLUG, Access Hole, Serviced with Accelerator Cable, (NOT SERVICED) (Not Serviced) |
| 7  | 52127 952AC | 1   |      |        |      |        |       |      | BRACKET, Cable  |
| 8  | 6501 979    | 2   |      |        |      | ER0    |       |      | SCREW AND WASHER, Hex Head, M6x1x17   |
| 9  |             |     |      |        |      |        |       |      | LEVER, Throttle Valve, (NOT REQUIRED)   |
| 10   | 52109 563AA | 1   | J    |        |      | ER0    |       |      | GUIDE, Accelerator Cable  |
| -11  | 53013 681AA | AR  |      |        |      |        |       |      | CLIP, Locking, Accelerator Cable  |
| -12  | 53013 682AA | AR  |      |        |      |        |       |      | CLIP, Push In   |

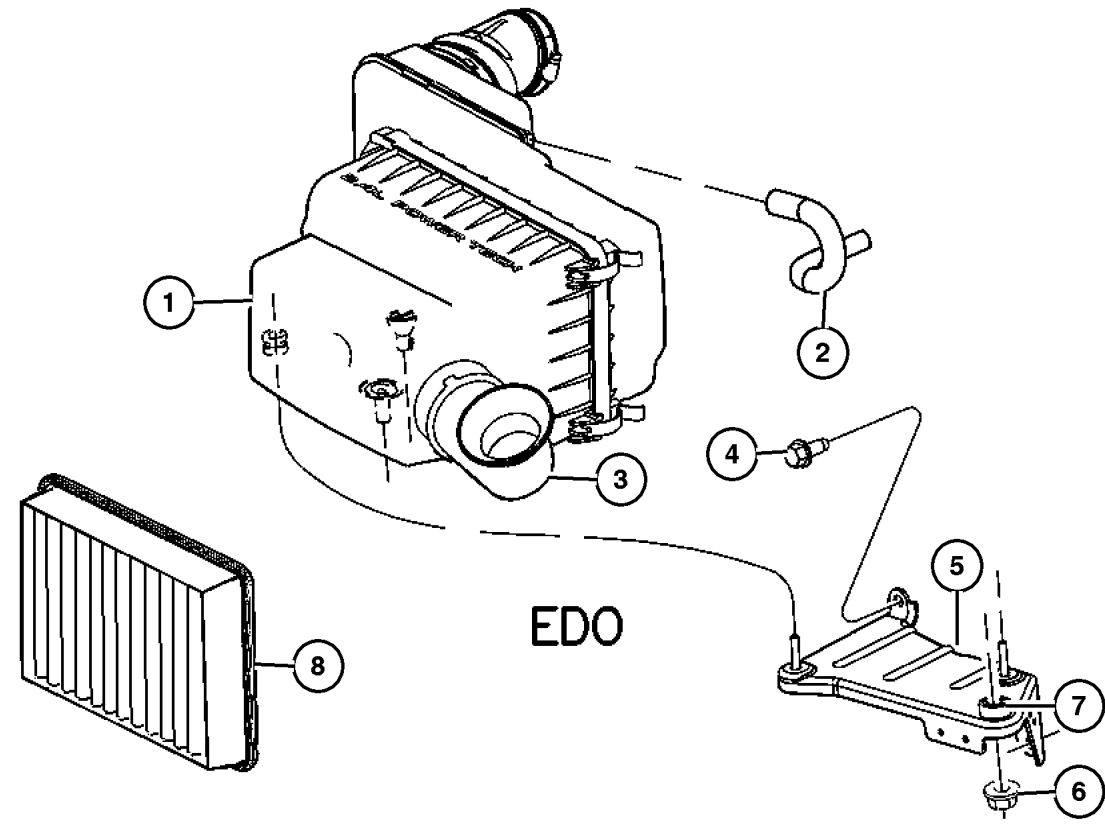
JEEP WRANGLER (TJ)

| SERIES      | LINE                   | BODY         | ENGINE                | TRANSMISSION                 |
|-------------|------------------------|--------------|-----------------------|------------------------------|
| H = Sport   | J = Wrangler 4WD       | 77 = 93.4 WB | ED1, ED0 = 2.4L DOHC  | DGG, DGD = 32RH 3 Spd. Auto. |
| L = SE      | U = Wrangler 4WD (RHD) |              | ERH = 4.0L Power Tech | DDD = 5 Speed HD Manual      |
| M = X       |                        |              |                       | DG0 = Auto. Trans.           |
| P = Sahara  |                        |              |                       | DBB = Manual Trans.          |
| S = Rubicon |                        |              |                       | DDK = 5 Speed Manual         |

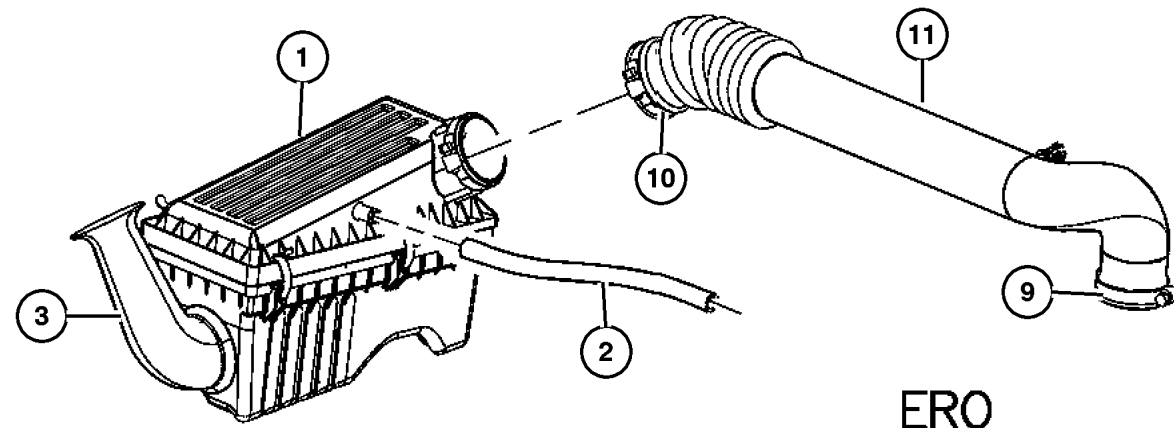
AR = Use as required - = Non illustrated part # = New this model year

August 27, 2004

**Air Cleaner, 2.4 (ED1), 4.0 (ERH)  
Figure 014-810**



**ED0**



**ERH**

| ITEM  | PART NUMBER | QTY | LINE | SERIES | BODY | ENGINE | TRANS | TRIM | DESCRIPTION   |
|---|-------------|-----|------|--------|------|--------|-------|------|---|
| NOTE: ED1=All 2.4L Gas Engines ER0=All 4.0L Engines |             |     |      |        |      |        |       |      |   |
| 1   | 5161 780AA  | 1   |      |        |      | ER0    |       |      | BODY, Air Cleaner   |
|   | 53013 702AA | 1   |      |        | 77   | ED0    |       |      |   |
| 2   | 53013 093AA | 1   |      |        |      | ED0    |       |      | TUBE, Crankcase Vent To Air Cleaner                       |
|   | 53030 615AC | 1   |      |        |      | ER0    |       |      |   |
| 3   | 5161 781AA  | 1   |      |        |      | ER0    |       |      | INLET, Fresh Air  |
|   | 53013 502AA | 1   |      |        | 77   | ED0    |       |      |   |
| 4   | 6503 692    | 2   |      |        |      | ED0    |       |      | SCREW, M8-1.25  |
| 5   | 53013 473AA | 1   |      |        |      | ED0    |       |      | BRACKET, Air Cleaner                                      |
| 6   | 6501 483    | 1   |      |        |      | ED0    |       |      | NUT, Hex Flange, M8x1.25                                  |
| 7   | 53013 357AA | 1   |      |        |      | ED0    |       |      | GROMMET, Air Cleaner                                      |
| 8   | 4797 777AC  | 1   |      |        |      | ER0    |       |      | FILTER, Air   |
| 9   | 53013 475AA | 1   |      |        | 77   | ED0    |       |      | CLAMP, Hose to Throttle Body                              |
|   | 53013 778AA | 1   |      |        |      | ER0    |       |      |   |
| 10  | 53013 476AA | 1   |      |        | 77   | ED0    |       |      | CLAMP, Hose to Air Cleaner                                |
|   | 53013 777AA | 1   |      |        |      | ER0    |       |      |   |
| 11  | 53030 611AC | 1   |      |        |      | ER0    |       |      | HOSE, Air Cleaner   |
| -12   | 6501 400    | 3   |      |        |      | ER0    |       |      | SCREW, Flange Head, M10x1.5x65, Air Cleaner Assy Mounting |

**JEEP WRANGLER (TJ)**

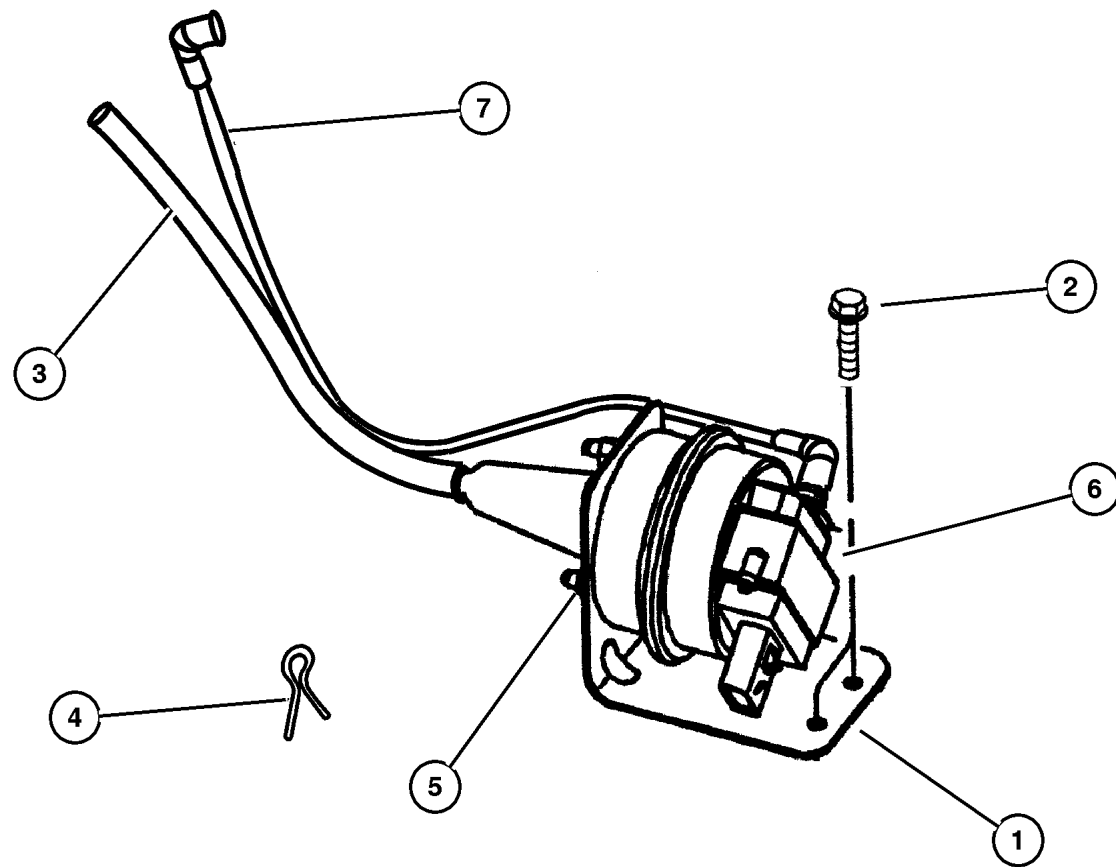
| SERIES      | LINE                   | BODY         | ENGINE                | TRANSMISSION                 |
|-------------|------------------------|--------------|-----------------------|------------------------------|
| H = Sport   | J = Wrangler 4WD       | 77 = 93.4 WB | ED1, ED0 = 2.4L DOHC  | DGG, DGD = 32RH 3 Spd. Auto. |
| L = SE      | U = Wrangler 4WD (RHD) |              | ERH = 4.0L Power Tech | DDD = 5 Speed HD Manual      |
| M = X       |                        |              |                       | DG0 = Auto. Trans.           |
| P = Sahara  |                        |              |                       | DBB = Manual Trans.          |
| S = Rubicon |                        |              |                       | DDK = 5 Speed Manual         |

AR = Use as required - = Non illustrated part # = New this model year

August 27, 2004

**Speed Control, 2.4 (ED1), 4.0 (ERH)  
Figure 014-1010**

| ITEM  | PART NUMBER | QTY | LINE | SERIES | BODY | ENGINE | TRANS | TRIM | DESCRIPTION   |
|---|-------------|-----|------|--------|------|--------|-------|------|---|
| Note; ED1= 2.4 Gas Engines, ERO= All 4.0 Gas Engines. |             |     |      |        |      |        |       |      |   |
| 1   | 52109 523AB | 1   |      |        |      | ED1    |       |      | BRACKET, Speed Control Servo                        |
|   |             | 1   |      |        |      | ER0    |       |      |   |
| 2   |             |     |      |        |      |        |       |      | SCREW, M6x1.00x20.00, (NOT SERVICED) (Not Serviced) |
| 3   | 52109 527AB | 1   |      |        |      | ED1    |       |      | CABLE, Speed Control                                |
|   | 52109 524AD | 1   |      |        |      | ER0    |       |      |   |
| 4   | 6025 867    | 1   |      |        |      | ED1    |       |      | CLIP, Cable to Servo Attach                         |
|   |             | 1   |      |        |      | ER0    |       |      |   |
| 5   | 6502 493    | 2   |      |        |      | ED1    |       |      | NUT, Hex Flange Serration, M6x1                     |
|   |             | 2   |      |        |      | ER0    |       |      |   |
| 6   | 4669 979    | 1   |      |        |      | ED1    |       |      | SERVO, Speed Control                                |
|   |             | 1   |      |        |      | ER0    |       |      |   |
| 7   | 52109 529AD | 1   |      |        |      | ED1    |       |      | HARNESS, Speed Control Vacuum                       |
|   | 52109 525AD | 1   |      |        |      | ER0    |       |      |   |



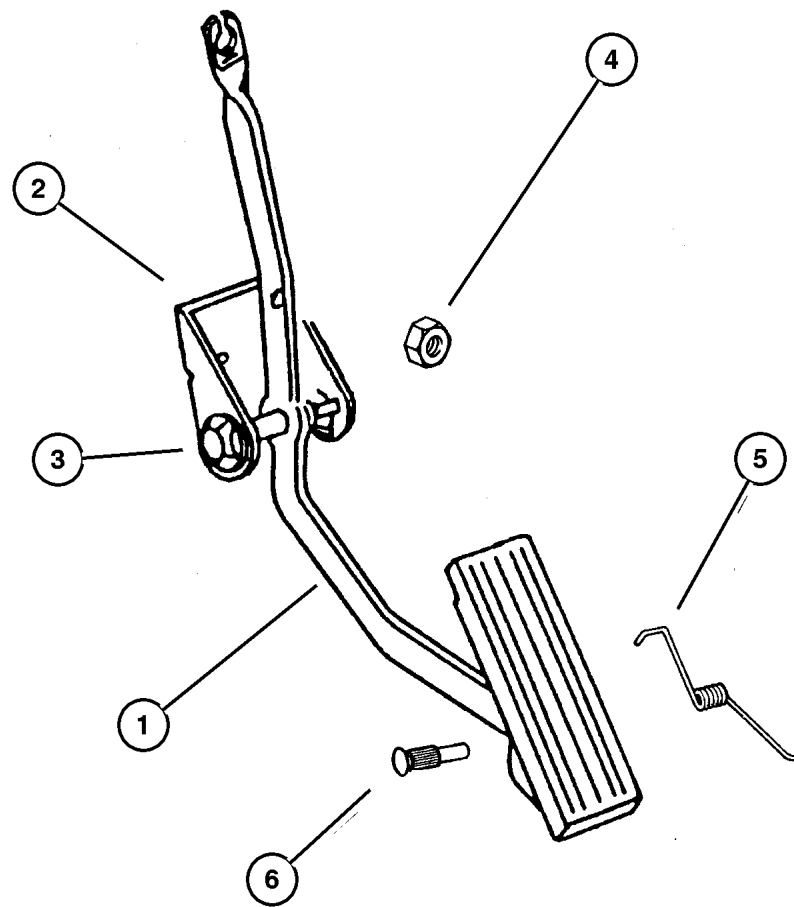
**JEEP WRANGLER (TJ)**

|             |                        |              |                       |                              |
|-------------|------------------------|--------------|-----------------------|------------------------------|
| SERIES      | LINE                   | BODY         | ENGINE                | TRANSMISSION                 |
| H = Sport   | J = Wrangler 4WD       | 77 = 93.4 WB | ED1, ED0 = 2.4L DOHC  | DGG, DGD = 32RH 3 Spd. Auto. |
| L = SE      | U = Wrangler 4WD (RHD) |              | ERH = 4.0L Power Tech | DDD = 5 Speed HD Manual      |
| M = X       |                        |              |                       | DG0 = Auto. Trans.           |
| P = Sahara  |                        |              |                       | DBB = Manual Trans.          |
| S = Rubicon |                        |              |                       | DDK = 5 Speed Manual         |

AR = Use as required - = Non illustrated part # = New this model year

August 27, 2004

**Accelerator Pedal, 2.4 (ED1), 4.0 (ERH)  
Figure 014-1110**



| ITEM   | PART NUMBER | QTY | LINE | SERIES | BODY | ENGINE      | TRANS | TRIM | DESCRIPTION   |
|--|-------------|-----|------|--------|------|-------------|-------|------|---|
| NOTE: ED1=I 24L Gas Engines ER0=All 4.0L Engines |             |     |      |        |      |             |       |      |   |
| 1  | 52078 714AC | 1   | J    |        |      | ED0,<br>ER0 |       |      | PEDAL, Accelerator  |
|  | 52078 715AC | 1   | U    |        | 77   | ED0,<br>ER0 |       |      |   |
| 2  | 53013 160AA | 1   |      |        |      | ER0         |       |      | BRACKET, Accelerator Cable,<br>Serviced in Pedal Assembly |
| 3  | 52078 653AB | 2   | J    |        |      | ED0,<br>ER0 |       |      | BUSHING, Accelerator Pedal                                |
|  |             | 2   | U    |        | 77   | ED0,<br>ER0 |       |      |   |
| 4  | 3420 1680   | 2   |      |        |      |             |       |      | NUT, Hex Flange, M6x1                                     |
| 5  | 5303 0874   | 1   | J    |        |      | ED0,<br>ER0 |       |      | SPRING, Torsion   |
|  |             | 1   | U    |        | 77   | ED0,<br>ER0 |       |      |   |
| 6  | 5207 9019   | 1   | J    |        |      | ED0,<br>ER0 |       |      | PIN, Accelerator Pedal Mtg.                               |
|  |             | 1   | U    |        | 77   | ED0,<br>ER0 |       |      |   |

**JEEP WRANGLER (TJ)**

|             |                        |              |                       |                              |
|-------------|------------------------|--------------|-----------------------|------------------------------|
| SERIES      | LINE                   | BODY         | ENGINE                | TRANSMISSION                 |
| H = Sport   | J = Wrangler 4WD       | 77 = 93.4 WB | ED1, ED0 = 2.4L DOHC  | DGG, DGD = 32RH 3 Spd. Auto. |
| L = SE      | U = Wrangler 4WD (RHD) |              | ERH = 4.0L Power Tech | DDD = 5 Speed HD Manual      |
| M = X       |                        |              |                       | DG0 = Auto. Trans.           |
| P = Sahara  |                        |              |                       | DBB = Manual Trans.          |
| S = Rubicon |                        |              |                       | DDK = 5 Speed Manual         |

AR = Use as required - = Non illustrated part # = New this model year

August 27, 2004

# Group – 016

## Propeller Shafts and U-Joints

### GROUP 16 - Propeller Shafts and U-Joints

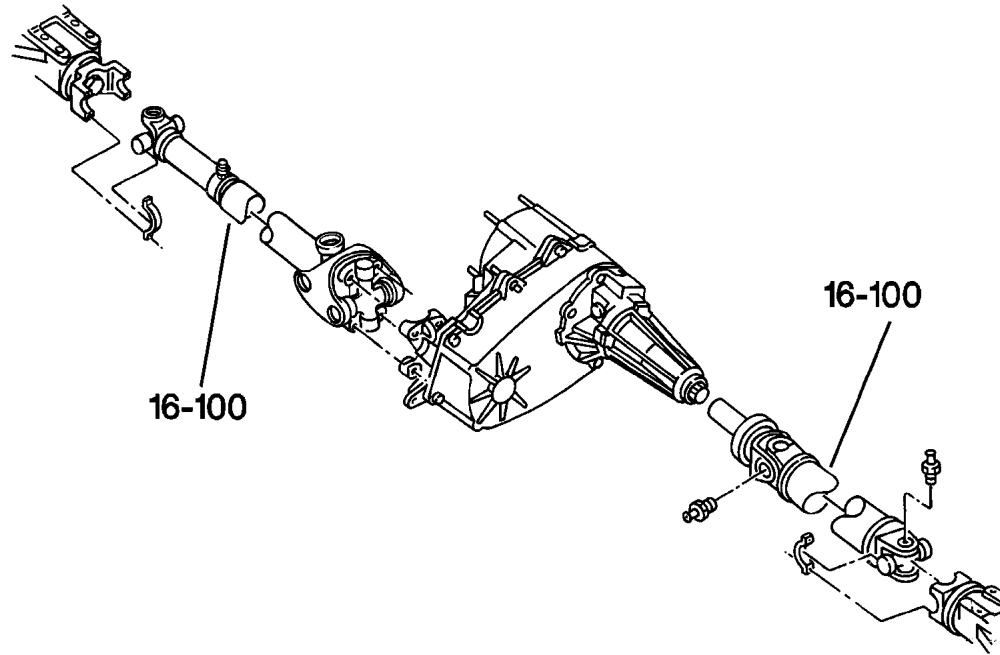
Illustration Title

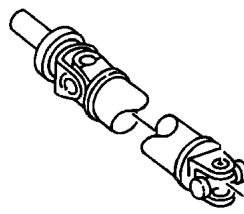
Group-Fig. No.

#### Propeller Shaft

Propshaft,Front and Rear .....

Fig. 016-110



|   |  |  |  |
|---|--|--|--|
| <p><b>016-100</b><br/>Propeller Shaft</p>  |  |  |  |
|---|--|--|--|



**Propshaft,Front and Rear  
Figure 016-110**

| ITEM | PART NUMBER | QTY | LINE | SERIES | BODY | ENGINE | TRANS | TRIM | DESCRIPTION |
|------|-------------|-----|------|--------|------|--------|-------|------|-------------|
|------|-------------|-----|------|--------|------|--------|-------|------|-------------|

Note:Sales Codes;

[DBB]=Transmissions - All Manual

[DDK]=Transmission - 5-Speed Heavy Duty Manual

[DG0]=Transmissions - All Automatic

[DG6]=Transmission 4-Speed Automatic, 42RL

[DHN]= Command-Trac Part Time 4WD System

[DHW]=4:1 Rock-Trac HD Part Time 4WD System

[DRJ]=Axle - Rear,Dana M35/194MM

[DRK]=Axle - Rear,Dana 44/226MM

[ED0]=Engines - All 2.2L,2.5L,2.4L 4 Cylinder Gas

[ER0]=Engines - All 4.0L 6 Cylinder Gas

|    |             |   |   |  |    |     |  |  |   |
|----|-------------|---|---|--|----|-----|--|--|---|
| 1  |             |   |   |  |    |     |  |  | YOKE, Drive Shaft   |
|    | 4882 714    | 1 |   |  |    | ED0 |  |  | [DRJ]   |
|    |             | 1 |   |  |    | ED0 |  |  | [DRJ]   |
|    |             | 1 |   |  |    | ER0 |  |  | [DRJ]   |
|    |             | 1 | J |  | 78 | ER0 |  |  | [DRK,DHN]   |
|    |             | 1 |   |  | 77 | ER0 |  |  | [DRK,DHN]   |
| 2  |             |   |   |  |    |     |  |  | SHAFT, Drive, Rear 1-Piece  |
|    | 52098 784AC | 1 |   |  |    | ER0 |  |  | [DRJ]   |
|    | 52098 787AC | 1 |   |  | 77 | ER0 |  |  | [DRK,DHN]   |
|    | 52853 160AA | 1 | J |  | 78 | ER0 |  |  | [DRK,DHN]   |
|    | 52853 405AA | 1 |   |  |    | ED0 |  |  | [DRJ]   |
|    | 52853 407AA | 1 |   |  |    | ED0 |  |  | [DRJ]   |
| 3  |             |   |   |  |    |     |  |  | U JOINT   |
|    | 4882 793    | 2 |   |  |    | ER0 |  |  | [DRJ]   |
|    |             | 2 |   |  | 77 | ER0 |  |  | [DRK,DHN]   |
|    | 5015 694AA  | 2 | J |  | 78 | ER0 |  |  | [DRK,DHN]   |
|    |             | 2 |   |  |    | ED0 |  |  | [DRJ]   |
|    |             | 2 |   |  |    | ED0 |  |  | [DRJ]   |
|    | 5093 377AA  | 1 |   |  |    | ER0 |  |  | [DRK,DHW], Front  |
| -4 |             |   |   |  |    |     |  |  | RING, U Joint   |
|    | J320 7886   | 4 |   |  |    | ER0 |  |  | [DRJ]   |
|    |             | 4 |   |  | 77 | ER0 |  |  | [DRK,DHN]   |
|    |             | 4 | J |  | 78 | ER0 |  |  | [DRK,DHN]   |
|    |             | 4 |   |  |    | ED0 |  |  | [DRJ]   |
|    |             | 4 |   |  |    | ED0 |  |  | [DRJ]   |
| -5 | 5093 823AA  | 1 |   |  |    | ER0 |  |  | BOOT, Drive Shaft   |
| -6 | 5093 824AA  | 1 |   |  | 77 | ER0 |  |  | FLANGE, Drive Shaft, On rear of rear drive shaft                  |
| -7 | 6506 497AA  | 4 |   |  |    |     |  |  | BOLT, Hex Head, M12, [DRK,DHW] Flange to Rear Axle Yoke, Mounting |

**JEEP WRANGLER (TJ)**

SERIES

H = Sport

L = SE

M = X

P = Sahara

S = Rubicon

LINE

J = Wrangler 4WD

U = Wrangler 4WD (RHD)

BODY

77 = 93.4 WB

ENGINE

ED1, ED0 = 2.4L DOHC

ERH = 4.0L Power Tech

TRANSMISSION

DGG, DGD = 32RH 3 Spd.

Auto.

DDD = 5 Speed HD Manual

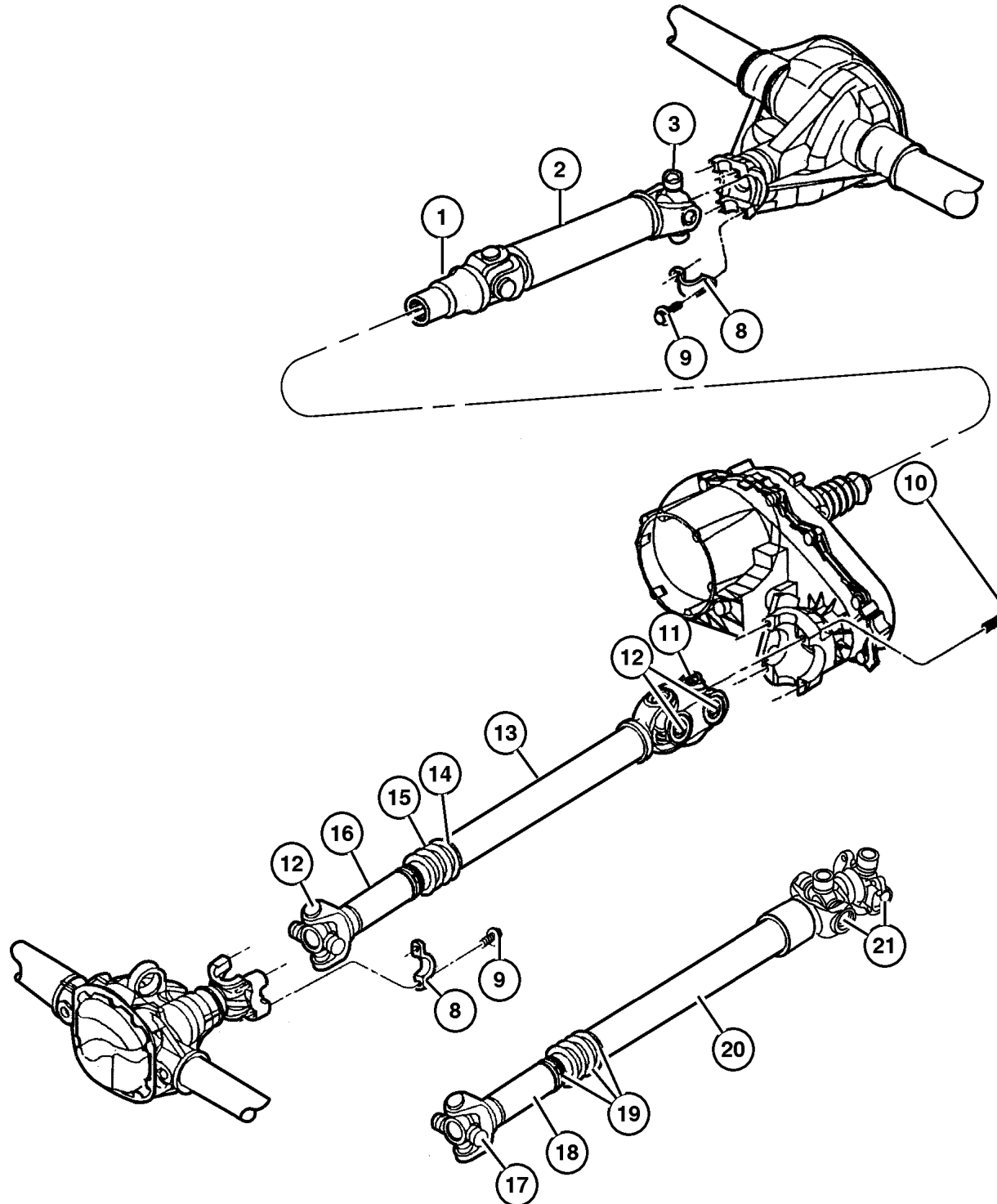
DG0 = Auto. Trans.

DBB = Manual Trans.

DDK = 5 Speed Manual

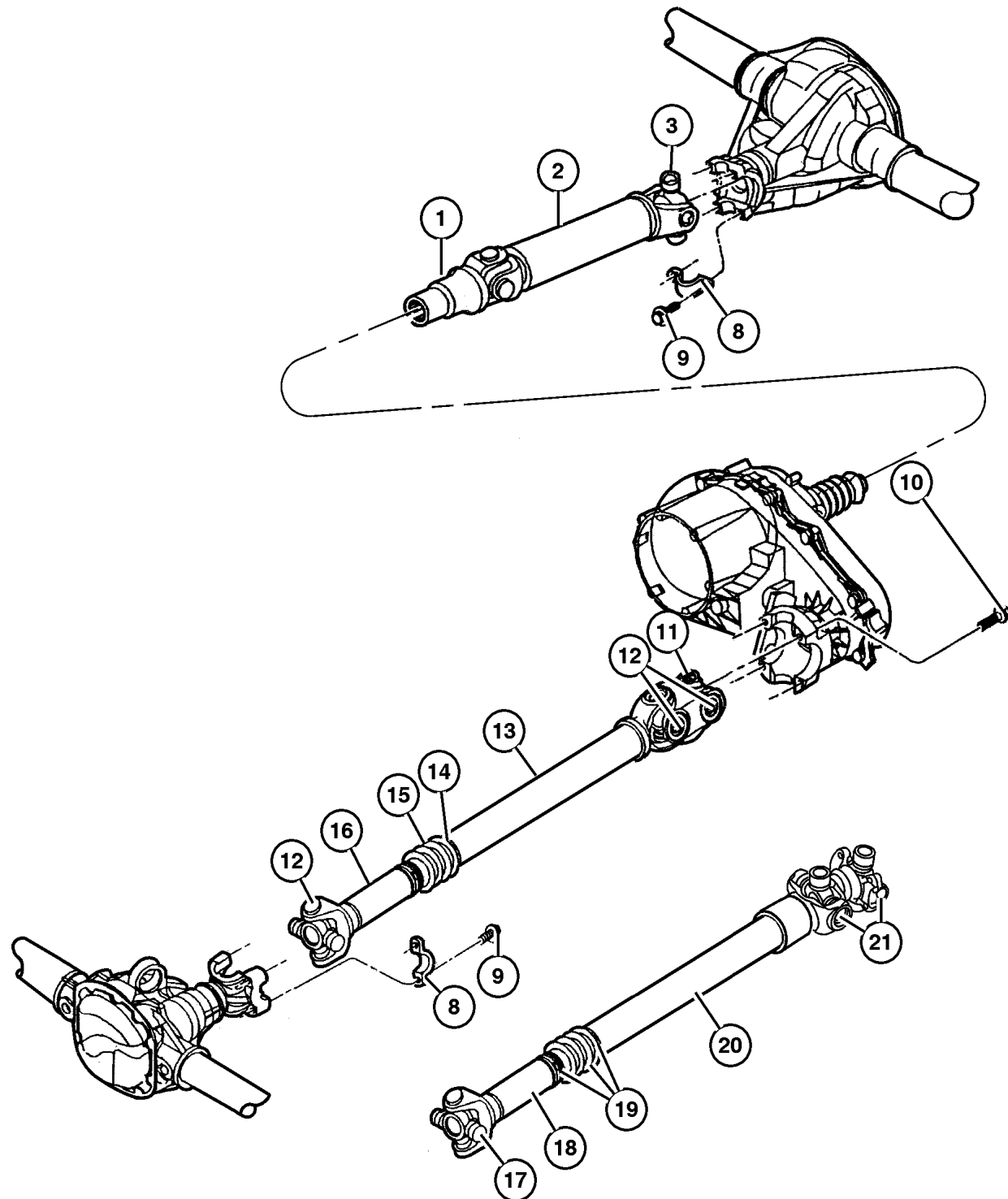
AR = Use as required - = Non illustrated part # = New this model year

August 27, 2004



**Propshaft, Front and Rear  
Figure 016-110**

| ITEM | PART NUMBER | QTY | LINE | SERIES | BODY | ENGINE | TRANS | TRIM | DESCRIPTION   |
|------|-------------|-----|------|--------|------|--------|-------|------|---|
| 8    | J324 0553   | 2   |      |        |      |        |       |      | STRAP, Prop Shaft, Mounting                             |
| 9    | J400 6928   | 4   |      |        |      |        |       |      | BOLT, Prop Shaft, Mounting                              |
| 10   | 6036 415AA  | 4   |      |        |      |        |       |      | BOLT, Transfer Case Yoke to Front Drive Shaft, Mounting |
| 11   |             |     |      |        |      |        |       |      | RING, U Joint   |
|      | J320 7886   | 4   |      |        |      | ER0    |       |      | [DHN]   |
|      |             | 4   |      |        |      | ED0    |       |      |   |
|      |             | 4   |      |        |      | ED0    |       |      |   |
| 12   | 5015 694AA  | 3   |      |        |      | ER0    |       |      | U JOINT, [DHN]  |
| 13   |             |     |      |        |      |        |       |      | SHAFT, Drive, Front [DHN]                               |
|      | 52098 377AE | 1   |      |        |      | ER0    |       |      |   |
|      | 52853 401AB | 1   |      |        |      | ED0    |       |      |   |
|      | 52853 402AB | 1   |      |        |      | ED0    |       |      |   |
| 14   |             |     |      |        |      |        |       |      | CLAMP, Boot [DHN], Small                                |
|      | 5013 626AA  | 1   |      |        |      | ER0    |       |      | [DHN], Large  |
|      | 5013 625AA  | 1   |      |        |      | ER0    |       |      | Small   |
|      | 5013 626AA  | 1   |      |        |      | ED0    |       |      | Large   |
|      | 5013 625AA  | 1   |      |        |      | ED0    |       |      |   |
| 15   |             |     |      |        |      |        |       |      | BOOT, Drive Shaft [DHN] Without Clamps                  |
|      | 5083 001AA  | 1   |      |        |      | ER0    |       |      | Without Clamps  |
|      |             | 1   |      |        |      | ED0    |       |      |   |
| 16   |             |     |      |        |      |        |       |      | YOKE, Drive Shaft [DHN]                                 |
|      | 5016 375AA  | 1   |      |        |      | ER0    |       |      |   |
|      |             | 1   |      |        |      | ED0    |       |      |   |
| 17   | 5093 820AA  | 1   |      |        | 77   | ER0    |       |      | U JOINT, Front  |
| 18   | 5093 821AB  | 1   |      |        |      | ER0    |       |      | YOKE, Drive Shaft                                       |
| 19   | 5093 823AA  | 1   |      |        |      | ER0    |       |      | BOOT, Drive Shaft                                       |
| 20   | 52853 404AD | 1   |      |        |      | ER0    |       |      | SHAFT, Drive, Front, [DHW]                              |
| 21   | 5014 733AA  | 2   |      |        |      | ER0    |       |      | U JOINT, [DHW], Center,Rear                             |



**JEEP WRANGLER (TJ)**

|             |                        |              |                       |                              |
|-------------|------------------------|--------------|-----------------------|------------------------------|
| SERIES      | LINE                   | BODY         | ENGINE                | TRANSMISSION                 |
| H = Sport   | J = Wrangler 4WD       | 77 = 93.4 WB | ED1, ED0 = 2.4L DOHC  | DGG, DGD = 32RH 3 Spd. Auto. |
| L = SE      | U = Wrangler 4WD (RHD) |              | ERH = 4.0L Power Tech | DDD = 5 Speed HD Manual      |
| M = X       |                        |              |                       | DG0 = Auto. Trans.           |
| P = Sahara  |                        |              |                       | DBB = Manual Trans.          |
| S = Rubicon |                        |              |                       | DDK = 5 Speed Manual         |

AR = Use as required - = Non illustrated part # = New this model year

August 27, 2004

# Group - 017

## Rear Suspension

### GROUP 17 - Rear Suspension

Illustration Title

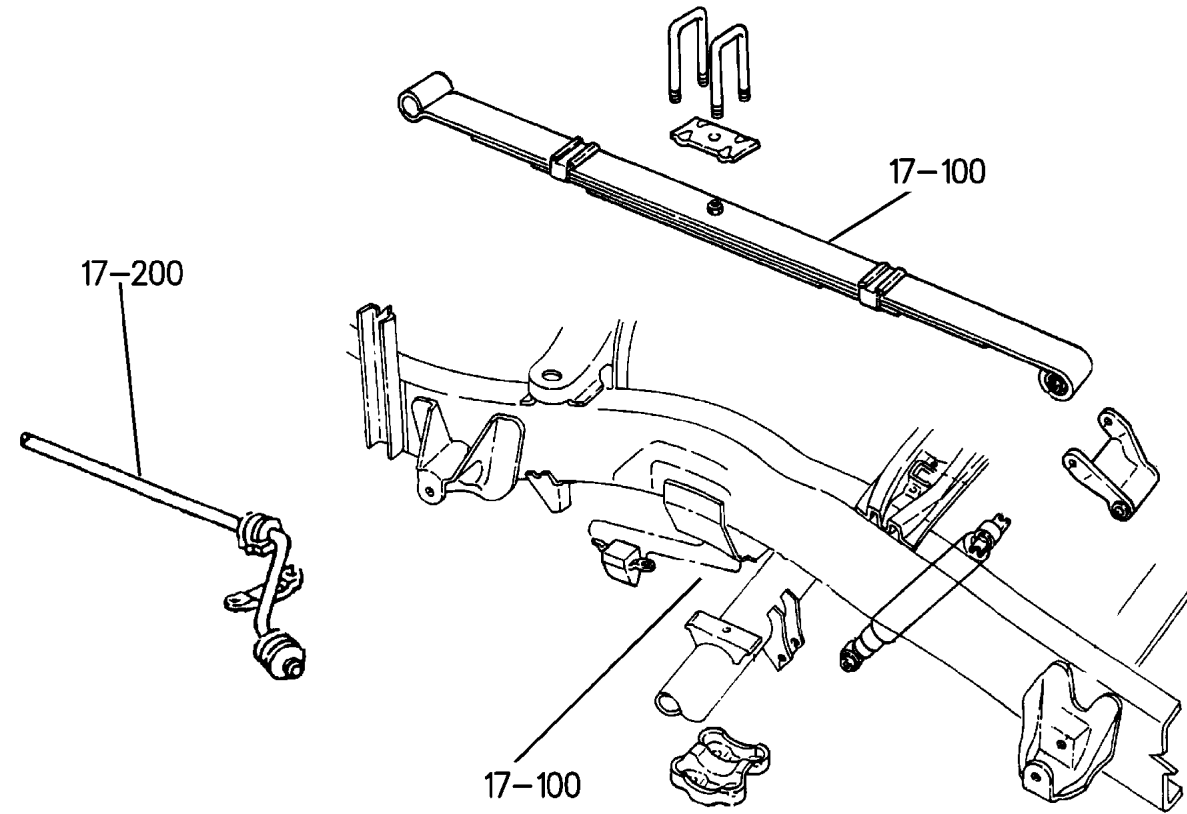
Group-Fig. No.

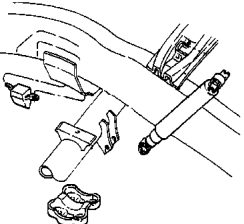
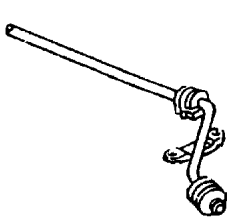
#### Rear Suspension

Suspension, Rear with Shocks, Springs and Track Bar ..... Fig. 017-110

#### Rear Stabilizer

Stabilizer, Rear ..... Fig. 017-210



|   |   |  |  |
|---|---|--|--|
| <p><b>017-100</b><br/>Rear Suspension</p>  | <p><b>017-200</b><br/>Rear Stabilizer</p>  |  |  |
|---|---|--|--|

## Suspension, Rear with Shocks, Springs and Track Bar Figure 017-110

| ITEM | PART NUMBER | QTY | LINE | SERIES | BODY | ENGINE | TRANS | TRIM | DESCRIPTION |
|------|-------------|-----|------|--------|------|--------|-------|------|-------------|
|------|-------------|-----|------|--------|------|--------|-------|------|-------------|

Note: Sales Codes;

[SDA]=Suspension - Normal Duty

[SDU]=Shocks - High Pressure Gas Charged

[ZAU] Through [ZNY]=Spring Sales Codes will be found on Vehicle Identification Number [VIN] Sales Code Listing.

|    |             |   |   |            |  |    |  |  |  |
|----|-------------|---|---|------------|--|----|--|--|--|
| 1  | 6506 147AA  | 1 |   |            |  |    |  |  | SCREW, Hex Flange Head, M12x1.75x80, Track Bar to Frame, Mounting      |
| 2  | 6502 697    | 1 |   |            |  |    |  |  | NUT, Hex Flange Lock, M12x1.75, Track Bar to Frame, Mounting           |
| 3  | 6502 696    | 2 |   |            |  |    |  |  | NUT, Hex Flange Lock, M10x1.5, UCA to Axle, Mounting                   |
| 4  | 5208 8520   | 2 |   |            |  |    |  |  | ARM, Control   |
| 5  | 5208 7709   | 4 |   |            |  |    |  |  | BUSHING, Control Arm, U  |
| 6  | 52088 654AB | 2 |   | H, L, M, P |  |    |  |  | ARM, Control, Lower, Right or Left                                     |
| 7  | 6503 085    | 4 |   |            |  |    |  |  | BOLT, Hex Flange Head, M10x1.50x78.20, UCA to Frame and Axle, Mounting |
| 8  | 6502 697    | 2 |   |            |  |    |  |  | NUT, Hex Flange Lock, M12x1.75, Shock Lower, Mounting                  |
| 9  | 6502 698    | 4 |   |            |  |    |  |  | NUT, Hex Flange Lock, LCA to Frame and Axle, Mounting                  |
| 10 | 5208 8433   | 4 |   | H, L, M, P |  |    |  |  | BUSHING, Control Arm, L, Lower   |
| 11 | 6506 033AA  | 4 |   |            |  |    |  |  | BOLT, Hex Flange Head, M14x2.0x105, LCA to Frame and Axle, Mounting    |
| 12 | 6502 473    | 2 |   |            |  |    |  |  | BOLT, Hex Flange Head, M12x1.75x65, Shock Lower, Mounting              |
| 13 | 56052 342AB | 2 | J |            |  | 78 |  |  | SHOCK ABSORBER, Suspension, Rear, [SDU]                                |
| 14 | 3420 2467   | 4 |   |            |  |    |  |  | SCREW, Hex Head, M8x1.25x30, Shock upper                               |
| 15 | 6505 467AA  | 1 |   |            |  |    |  |  | SCREW, Truss Head, M12x1.75x80, Track bar to axle, Mounting            |
| 16 | 56052 456AA | 1 |   |            |  |    |  |  | SPRING, Rear Coil [ZAR,ZNR]  |
|    | 56052 436AA | 1 |   |            |  |    |  |  | [ZAS,ZNS]  |
|    | 5208 9103   | 1 |   |            |  |    |  |  | [ZAU,ZNU]  |
|    | 5208 9104   | 1 |   |            |  |    |  |  | [ZAV,ZNV]  |
|    | 52090 105AA | 1 |   |            |  |    |  |  | [ZAW,ZNW]  |
|    | 52060 106AA | 1 |   |            |  |    |  |  | [ZAX,ZNX]  |

### JEEP WRANGLER (TJ)

SERIES

H = Sport

L = SE

M = X

P = Sahara

S = Rubicon

LINE

J = Wrangler 4WD

U = Wrangler 4WD (RHD)

BODY

77 = 93.4 WB

ENGINE

ED1, ED0 = 2.4L DOHC

ERH = 4.0L Power Tech

TRANSMISSION

DGG, DGD = 32RH 3 Spd.

Auto.

DDD = 5 Speed HD Manual

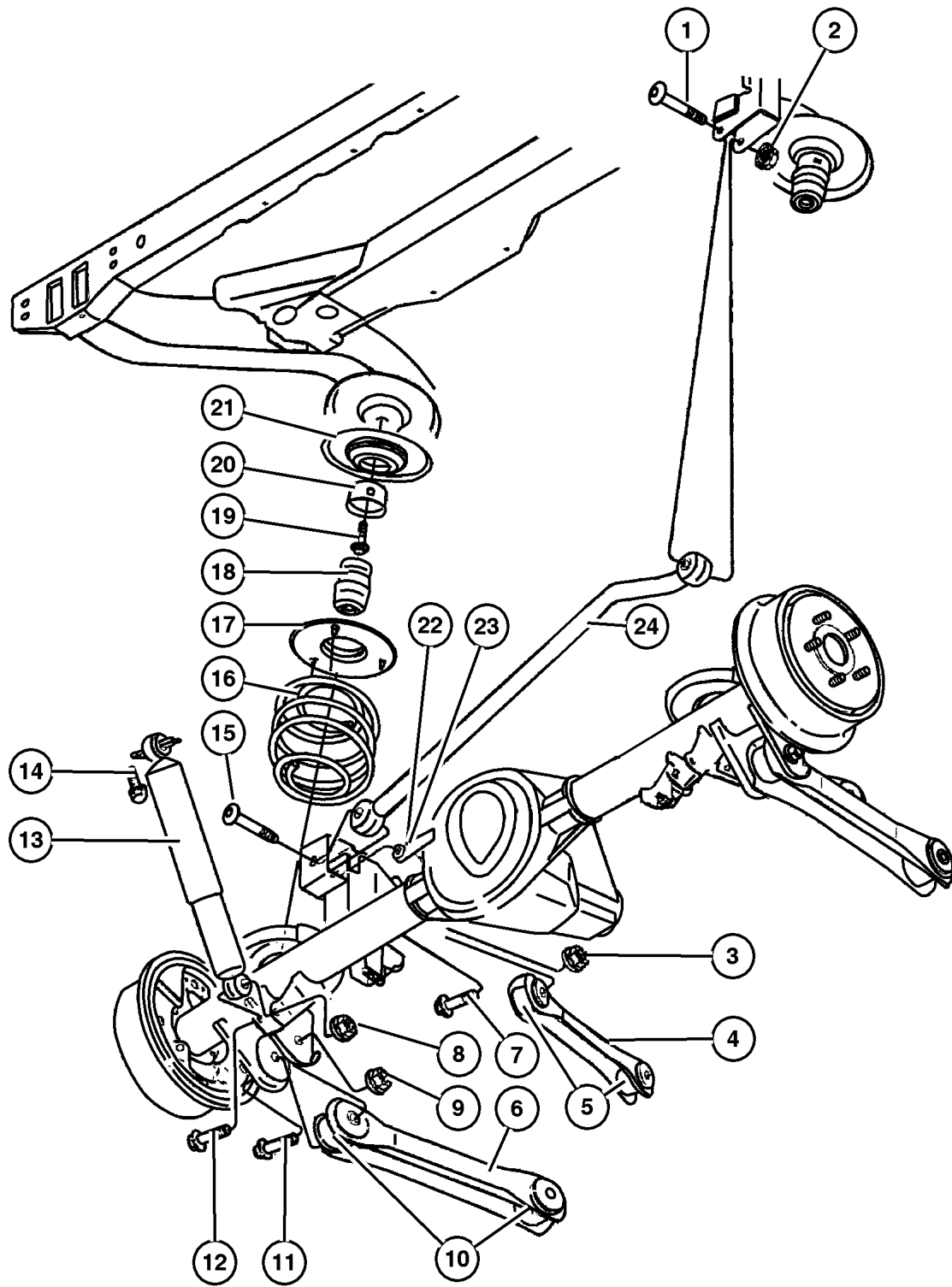
DG0 = Auto. Trans.

DBB = Manual Trans.

DDK = 5 Speed Manual

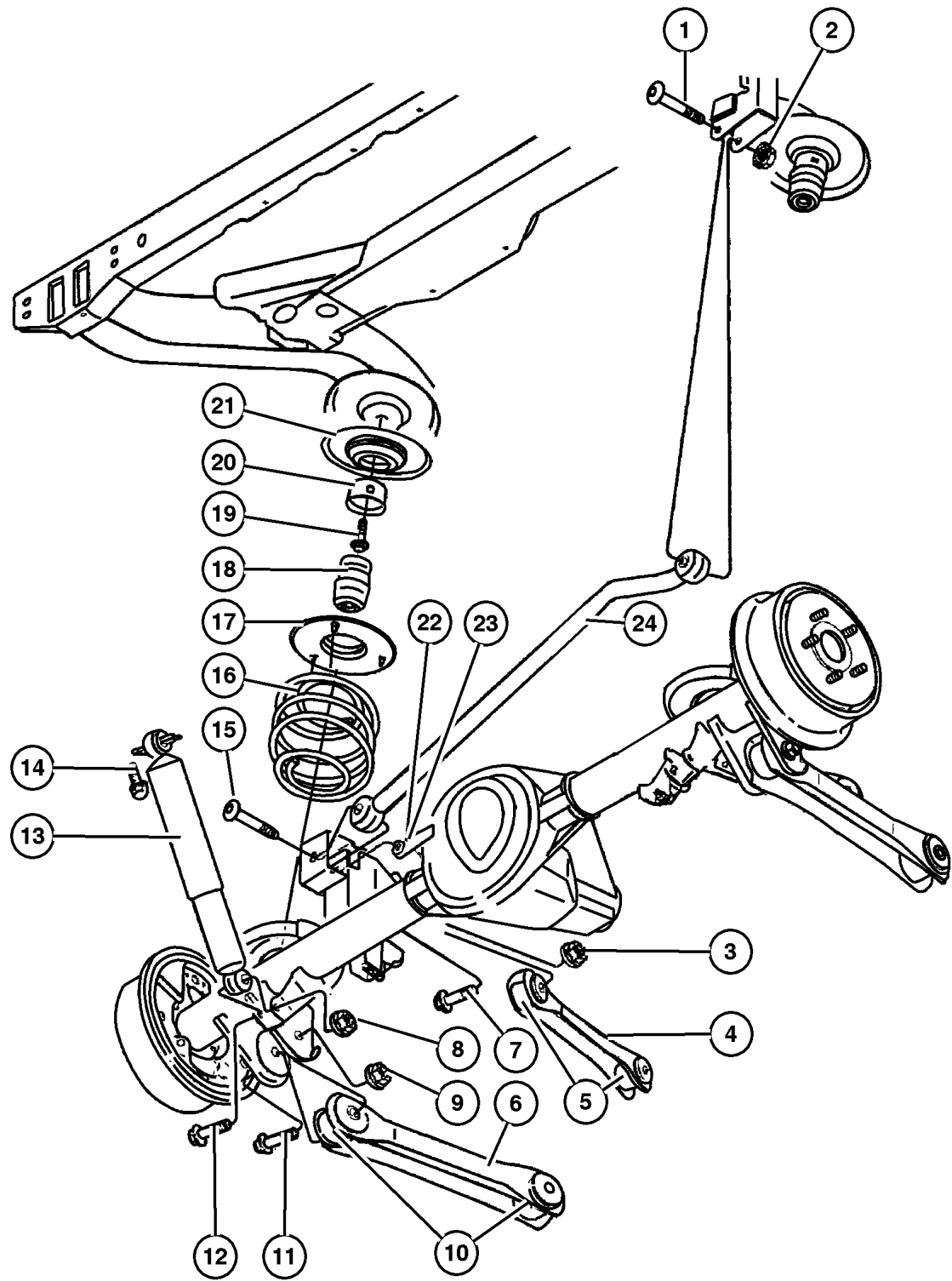
AR = Use as required - = Non illustrated part # = New this model year

August 27, 2004



**Suspension, Rear with Shocks, Springs and Track Bar  
Figure 017-110**

| ITEM | PART NUMBER | QTY | LINE | SERIES | BODY | ENGINE | TRANS | TRIM | DESCRIPTION   |
|------|-------------|-----|------|--------|------|--------|-------|------|---|
|      | 56052 335AA | 1   |      |        |      |        |       |      | [ZAY,ZNY]   |
| 17   | 5208 7832   | 2   |      |        |      |        |       |      | ISOLATOR, Spring, Lower   |
| 18   | 52087 636AB | 2   |      |        |      |        |       |      | BUMPER, Jounce<br>Up To 09-15-03  |
|      | 52059 740AA | 2   |      |        |      |        |       |      | From 09-16-03   |
| 19   | 6100 402    | 2   |      |        |      |        |       |      | BOLT, Hex Head, M10x35, Jounce<br>Bumper Cup, Mounting                        |
| 20   | 5208 7635   | 2   |      |        |      |        |       |      | CUP, Jounce Bumper  |
| 21   | 5208 7832   | 2   |      |        |      |        |       |      | ISOLATOR, Spring, Coil Spring<br>Rear, Upper                                  |
| 22   | 6503 652    | 1   | J    |        |      |        |       |      | NUT AND RETAINER, Hex Flange<br>Lock, m8x1.25, Track Bar to Axle,<br>Mounting |
| 23   | 6502 697    | 2   |      |        |      |        |       |      | NUT, Hex Flange Lock, M12x1.75,<br>Track bar to axle                          |
| 24   | 5208 7878   | 1   | J    |        |      |        |       |      | BAR, Track  |
| -25  | 6503 648    | 2   |      |        |      |        |       |      | NUT AND RETAINER, Hex Flange<br>Lock, m8x1.25, UCA to Frame,<br>Mounting      |
| -26  | 5209 8805   | 1   | J    |        |      |        |       |      | COVER, Track Bar Bracket  |
| -27  | 6030 441    | 2   | J    |        |      |        |       |      | PIN, Retainer, Track Bar Cover,<br>Mounting                                   |



**JEEP WRANGLER (TJ)**

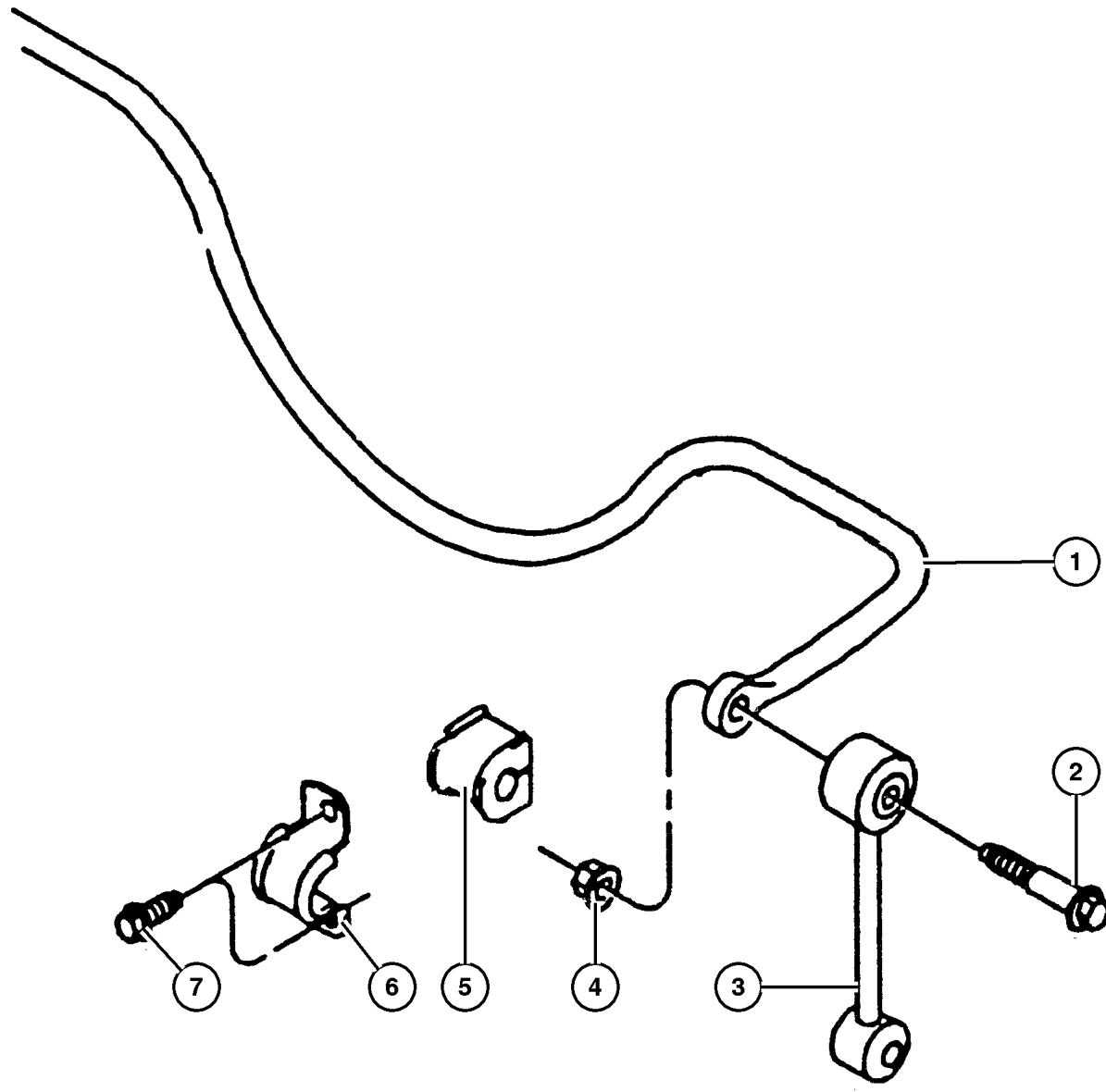
|             |                        |              |                       |                                 |
|-------------|------------------------|--------------|-----------------------|---------------------------------|
| SERIES      | LINE                   | BODY         | ENGINE                | TRANSMISSION                    |
| H = Sport   | J = Wrangler 4WD       | 77 = 93.4 WB | ED1, ED0 = 2.4L DOHC  | DGG, DGD = 32RH 3 Spd.<br>Auto. |
| L = SE      | U = Wrangler 4WD (RHD) |              | ERH = 4.0L Power Tech | DDD = 5 Speed HD Manual         |
| M = X       |                        |              |                       | DG0 = Auto. Trans.              |
| P = Sahara  |                        |              |                       | DBB = Manual Trans.             |
| S = Rubicon |                        |              |                       | DDK = 5 Speed Manual            |

AR = Use as required - = Non illustrated part # = New this model year

August 27, 2004

## Stabilizer, Rear Figure 017-210

| ITEM | PART NUMBER | QTY | LINE | SERIES | BODY | ENGINE | TRANS | TRIM | DESCRIPTION  |
|------|-------------|-----|------|--------|------|--------|-------|------|--|
| 1    | 5208 8002   | 1   |      |        |      |        |       |      | BAR, Rear Sway   |
| 2    | 6503 726    | 2   |      |        |      |        |       |      | SCREW, Shoulder, Sway Bar to Link, Mounting                                  |
| 3    | 52088 896AA | 2   |      |        |      |        |       |      | LINK, Sway Eliminator  |
| 4    | 6502 696    | 2   |      |        |      |        |       |      | NUT, Hex Flange Lock, M10x1.5, Sway Bar to Link, Mounting                    |
| 5    | 52088 125AB | 2   |      |        |      |        |       |      | BUSHING, Sway Bar  |
| 6    | 52087 865AB | 2   |      |        |      |        |       |      | RETAINER, Sway Bar   |
| 7    | 6503 571    | 4   |      |        |      |        |       |      | SCREW AND WASHER, M10x1.5x35   |
| -8   | 6503 726    | 2   |      |        |      |        |       |      | SCREW, Shoulder, Sway Bar Link to Frame, Mounting                            |
| -9   | 6503 648    | 2   |      |        |      |        |       |      | NUT AND RETAINER, Hex Flange Lock, m8x1.25, Sway Bar Link to Frame, Mounting |



**JEEP WRANGLER (TJ)**

|             |                        |              |                       |                              |
|-------------|------------------------|--------------|-----------------------|------------------------------|
| SERIES      | LINE                   | BODY         | ENGINE                | TRANSMISSION                 |
| H = Sport   | J = Wrangler 4WD       | 77 = 93.4 WB | ED1, ED0 = 2.4L DOHC  | DGG, DGD = 32RH 3 Spd. Auto. |
| L = SE      | U = Wrangler 4WD (RHD) |              | ERH = 4.0L Power Tech | DDD = 5 Speed HD Manual      |
| M = X       |                        |              |                       | DG0 = Auto. Trans.           |
| P = Sahara  |                        |              |                       | DBB = Manual Trans.          |
| S = Rubicon |                        |              |                       | DDK = 5 Speed Manual         |

AR = Use as required - = Non illustrated part # = New this model year

August 27, 2004

# Group – 019

## Steering

### GROUP 19 - Steering

Illustration Title

Group-Fig. No.

#### Steering Wheel

Wheel, Steering ..... Fig. 019-110

#### Steering Column

Column, Steering Upper and Lower ..... Fig. 019-210

#### Steering Gear

Gear, Power Steering ..... Fig. 019-310

#### Steering Linkage

Linkage and Damper ..... Fig. 019-410

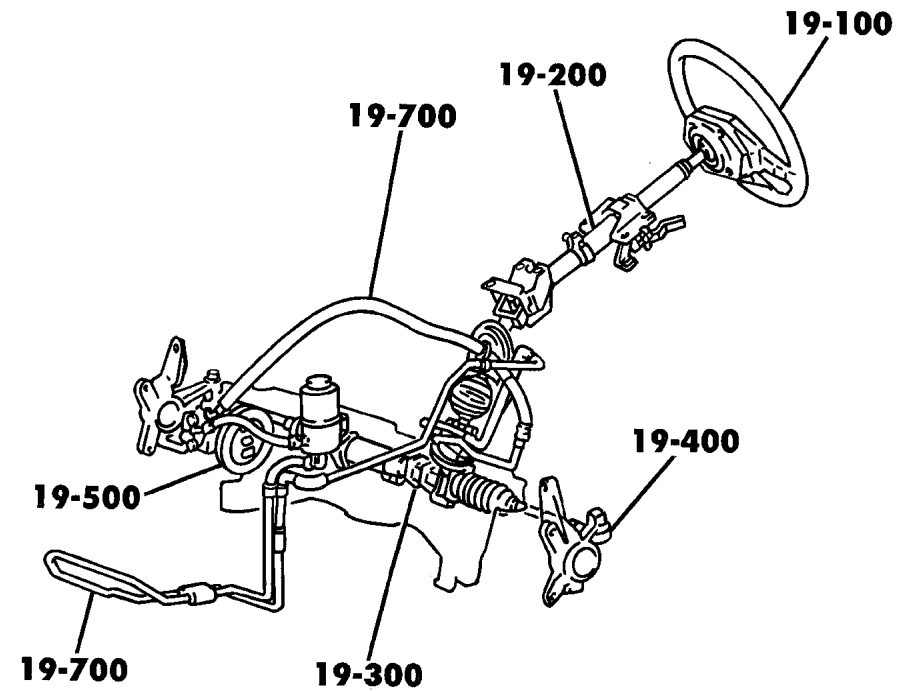
#### Power Steering Pump


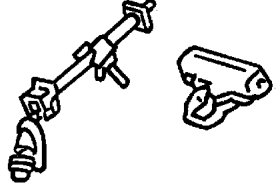
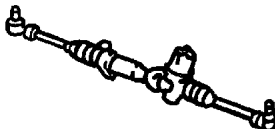
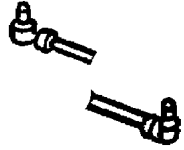
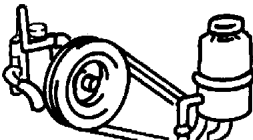

Pump, Power Steering ..... Fig. 019-510

#### Power Steering Hoses

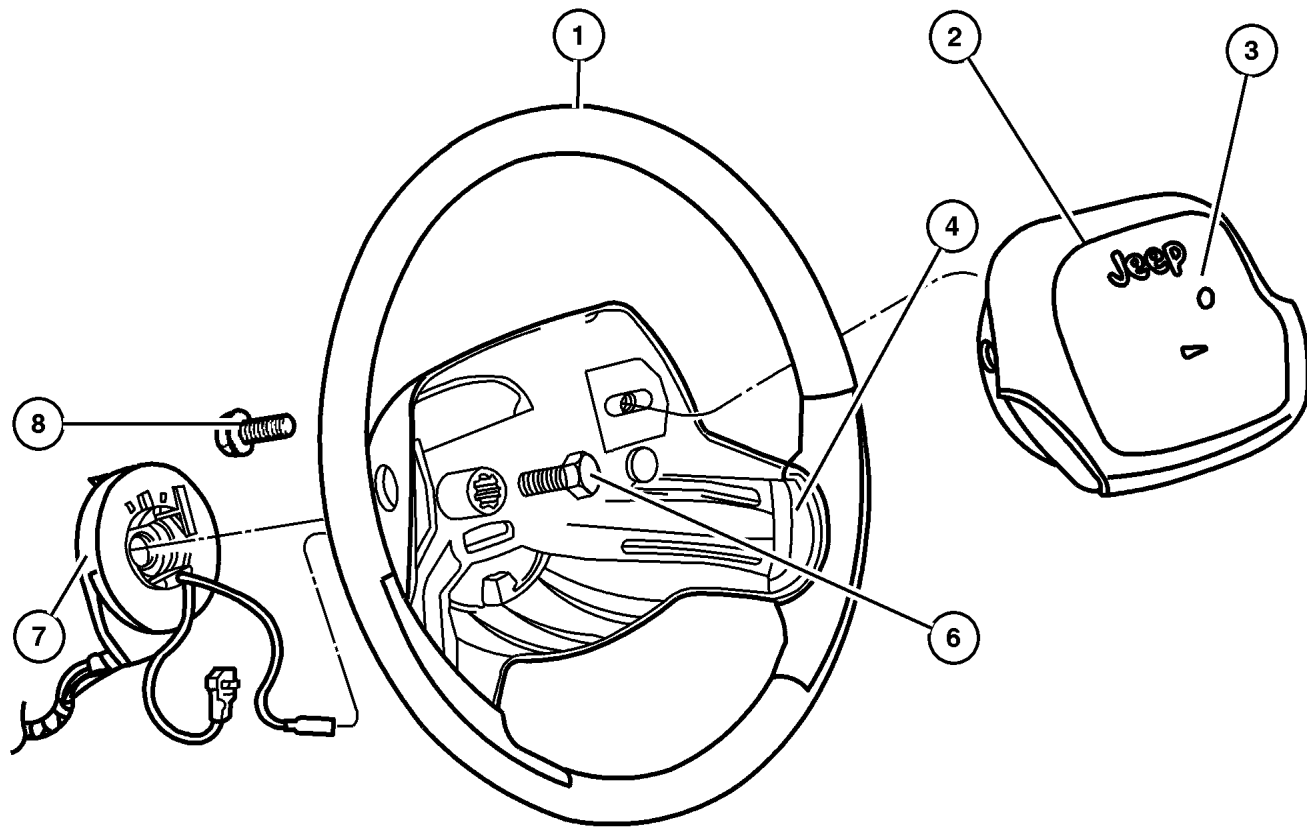
Hoses and Reservoir, 2.4L Engine [ED0] ..... Fig. 019-710

Hoses and Reservoir, 4.0L Engine [ER0] ..... Fig. 019-720



|   |  |  |  |
|---|--|--|--|
| <p><b>019-100</b><br/>Steering Wheel</p>       | <p><b>019-200</b><br/>Steering Column</p>       | <p><b>019-300</b><br/>Steering Gear</p>  | <p><b>019-400</b><br/>Steering Linkage</p>  |
| <p><b>019-500</b><br/>Power Steering Pump</p>  | <p><b>019-700</b><br/>Power Steering Hoses</p>  |  |  |

## Wheel, Steering Figure 019-110



| ITEM  | PART NUMBER | QTY | LINE | SERIES | BODY | ENGINE | TRANS | TRIM | DESCRIPTION   |
|---|-------------|-----|------|--------|------|--------|-------|------|---|
| Note: If Horn Switch is defective, you must replace the AIR BAG COVER WITH SWITCH and not the AIR BAG MODULE ASSEMBLY itself. |             |     |      |        |      |        |       |      |   |
| Note: Sales Codes;  |             |     |      |        |      |        |       |      |   |
| [SCE]=Steering Wheel-2-Spoke Soft Feel  |             |     |      |        |      |        |       |      |   |
| [SCG]=Steering Wheel-Leather Wrapped  |             |     |      |        |      |        |       |      |   |
| [NHM]= Speed Control  |             |     |      |        |      |        |       |      |   |
| 1   | 5JG60 DX9AD | 1   |      |        |      |        |       |      | WHEEL, Steering [SCA]   |
|   | 5JG61 1X9AB | 1   |      |        |      |        |       |      | [SCL] - [NHM]   |
| 2   | 5JG52 DX9AD | 1   |      |        |      |        |       |      | AIR BAG, Driver   |
| 3   | XZ03 DX9AB  | 1   |      |        |      |        |       |      | COVER, Air Bag Module   |
| 4   | 5GY38 DX9AA | 1   |      |        |      |        |       |      | SWITCH, Speed Control Right   |
|   | 5GY39 DX9AA | 1   |      |        |      |        |       |      | Left  |
| -5  | 5JG22 DX9AA | 1   |      |        |      |        |       |      | BEZEL, Steering Wheel [SCL] - [NHM], Right                                      |
|   | 5JG23 DX9AA | 1   |      |        |      |        |       |      | [SCL] - [NHM], Left   |
| 6   | 6505 656AA  | 1   |      |        |      |        |       |      | SCREW, Hex Flange Head, M10x1.5x35.   |
| 7   | 56047 144AB | 1   |      |        |      |        |       |      | CLOCKSPRING   |
| 8   | 6507 854AA  | 2   |      |        |      |        |       |      | SCREW, M6x1x25  |
| -9  |             |     |      |        |      |        |       |      | WIRING, Steering Wheel, Service with Clockspring, (NOT SERVICED) (Not Serviced) |
| -10   | 55314 966AB | 1   |      |        |      |        |       |      | LABEL, Airbag, [ABB]  |

### JEEP WRANGLER (TJ)

|             |                        |              |                       |                              |
|-------------|------------------------|--------------|-----------------------|------------------------------|
| SERIES      | LINE                   | BODY         | ENGINE                | TRANSMISSION                 |
| H = Sport   | J = Wrangler 4WD       | 77 = 93.4 WB | ED1, ED0 = 2.4L DOHC  | DGG, DGD = 32RH 3 Spd. Auto. |
| L = SE      | U = Wrangler 4WD (RHD) |              | ERH = 4.0L Power Tech | DDD = 5 Speed HD Manual      |
| M = X       |                        |              |                       | DG0 = Auto. Trans.           |
| P = Sahara  |                        |              |                       | DBB = Manual Trans.          |
| S = Rubicon |                        |              |                       | DDK = 5 Speed Manual         |

AR = Use as required - = Non illustrated part # = New this model year

August 27, 2004



## Column, Steering Upper and Lower Figure 019-210

| ITEM | PART NUMBER | QTY | LINE | SERIES | BODY | ENGINE | TRANS | TRIM | DESCRIPTION |
|------|-------------|-----|------|--------|------|--------|-------|------|-------------|
|------|-------------|-----|------|--------|------|--------|-------|------|-------------|

Note: Sales Codes;

- [ABB] = European Equipment Group
- [DBB] = Transmissions - All Manual
- [DG0] = Transmissions - All Automatic
- [ED0] = Engines - All 2.4L 4 Cylinder Gas
- [ER0] = Engines - All 4.0L 6 Cylinder Gas

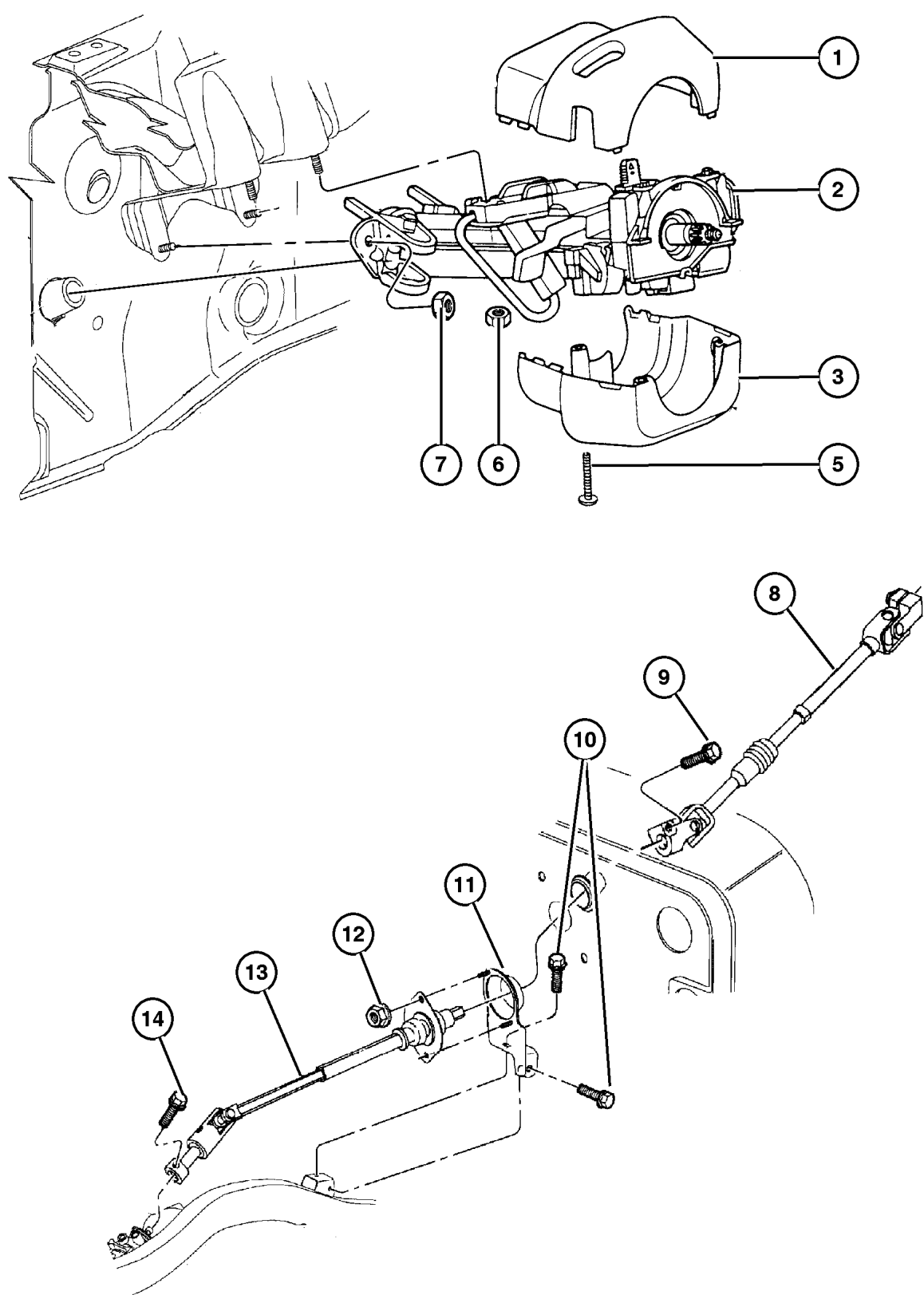
|    |             |   |  |   |  |  |  |  |  |
|----|-------------|---|--|---|--|--|--|--|--|
| 1  | 5GN31 DX9AD | 1 |  |   |  |  |  |  | SHROUD, Steering Column, Upper   |
| 2  | 5057 080AA  | 1 |  |   |  |  |  |  | COLUMN, Steering, Tilt<br>Without [ABB]  |
|    | 5057 079AA  | 1 |  |   |  |  |  |  | Without [ABB]  |
|    | 5057 082AA  | 1 |  |   |  |  |  |  | With [ABB]   |
|    | 5057 081AA  | 1 |  |   |  |  |  |  | With [ABB]   |
| 3  | 5GN30 DX9AB | 1 |  |   |  |  |  |  | SHROUD, Steering Column, Lower   |
|    | 5GN36 DX9AB | 1 |  |   |  |  |  |  |  |
| -4 |             |   |  |   |  |  |  |  | TRIM RING, Ignition Key Cylinder,<br>Serviced In Column Assembly,<br>(NOT SERVICED) (Not Serviced) |
| 5  | 6035 434    | 2 |  |   |  |  |  |  | SCREW AND WASHER, Pan Head,<br>Upper Shroud to Lower Shroud,<br>Mounting                           |
| 6  | 6501 279    | 1 |  |   |  |  |  |  | NUT, Hex Flange Lock, M8x1.25,<br>Mounting Stud  |
| 7  | 6505 245AA  | 2 |  |   |  |  |  |  | NUT, M8x1.25, Mounting Stud,<br>Lower  |
| 8  | 55315 014AD | 1 |  |   |  |  |  |  | SHAFT, Intermediate  |
| 9  | 6504 926AA  | 3 |  |   |  |  |  |  | SCREW, Hex Flange Head, M10x1.<br>5x40, Upper Shaft to Lower shaft,<br>Mounting                    |
| 10 | 6504 153    | 2 |  |   |  |  |  |  | SCREW AND WASHER, Hex Head,<br>M10x1.5x35, Shaft Bracket to<br>Frame                               |
| 11 |             |   |  |   |  |  |  |  | BRACKET, Intermediate Shaft  |
|    | 52058 855AB | 1 |  | J |  |  |  |  | ED0  |
|    | 5205 8841   | 1 |  | J |  |  |  |  | ER0  |
| 12 | 6100 516    | 2 |  |   |  |  |  |  | NUT, Hex Flange Lock, M6<br>Phosphate, Intermediate Shaft<br>Bracket, Mounting                     |
| 13 | 55315 044AA | 1 |  |   |  |  |  |  | SHAFT, Intermediate  |
| 14 | 6504 926AA  | 3 |  |   |  |  |  |  | SCREW, Hex Flange Head, M10x1.<br>5x40, Lower Shaft to Steering Box,<br>Mounting                   |

### JEEP WRANGLER (TJ)

| SERIES      | LINE                   | BODY         | ENGINE                | TRANSMISSION                    |
|-------------|------------------------|--------------|-----------------------|---------------------------------|
| H = Sport   | J = Wrangler 4WD       | 77 = 93.4 WB | ED1, ED0 = 2.4L DOHC  | DGG, DGD = 32RH 3 Spd.<br>Auto. |
| L = SE      | U = Wrangler 4WD (RHD) |              | ERH = 4.0L Power Tech | DDD = 5 Speed HD Manual         |
| M = X       |                        |              |                       | DG0 = Auto. Trans.              |
| P = Sahara  |                        |              |                       | DBB = Manual Trans.             |
| S = Rubicon |                        |              |                       | DDK = 5 Speed Manual            |

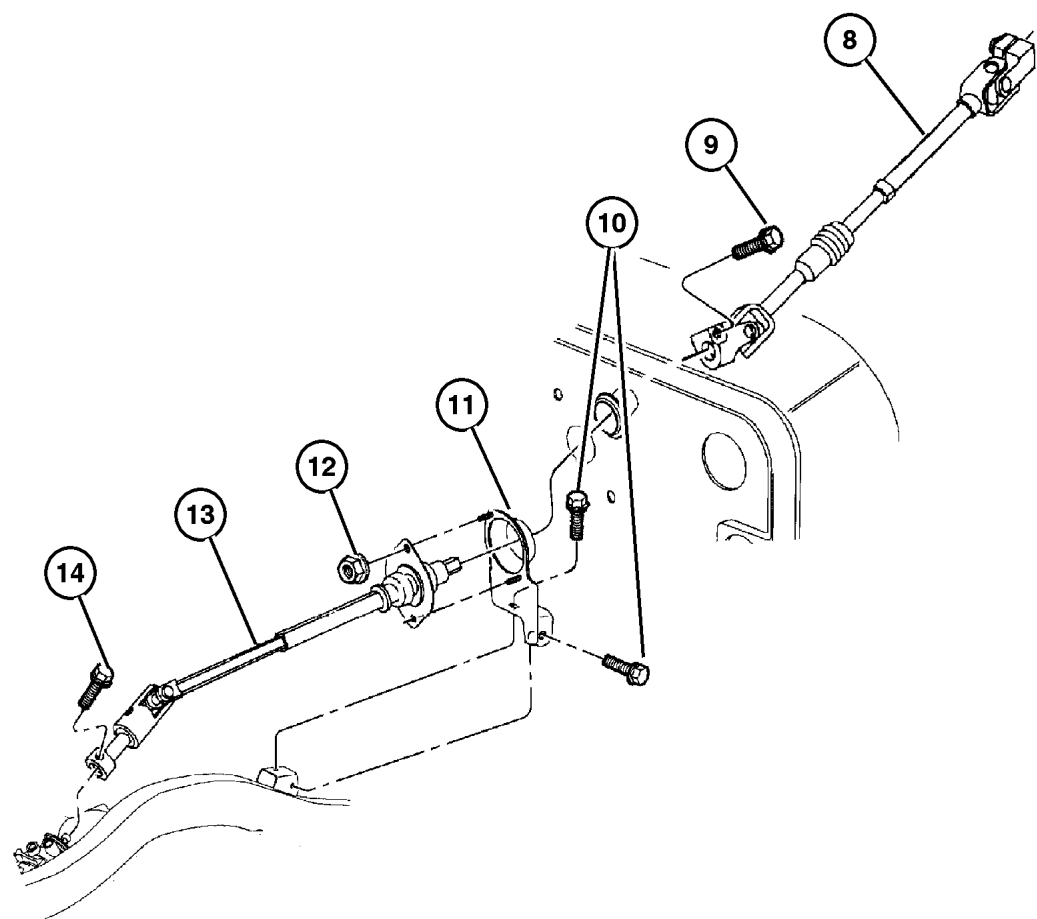
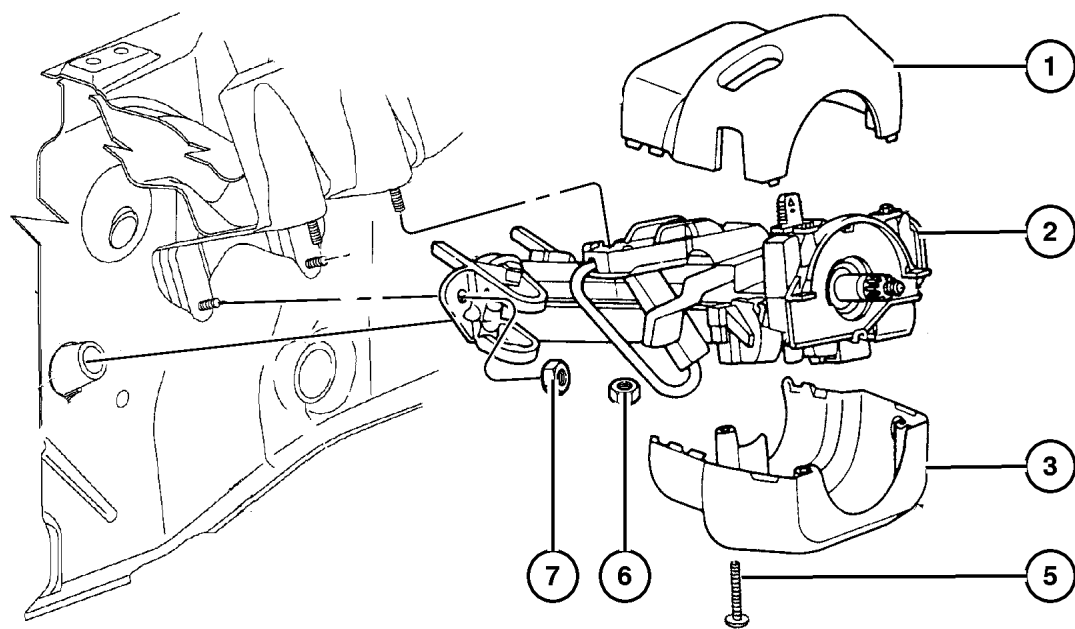
AR = Use as required - = Non illustrated part # = New this model year

August 27, 2004



**Column, Steering Upper and Lower  
Figure 019-210**

| ITEM | PART NUMBER | QTY | LINE | SERIES | BODY | ENGINE | TRANS | TRIM | DESCRIPTION              |
|------|-------------|-----|------|--------|------|--------|-------|------|--------------------------|
| -15  |             |     |      |        |      |        |       |      | BEARING, Steering Column |
|      | 4690 344AB  | 1   |      |        |      |        |       |      | [SUA]                    |
|      |             | 1   |      |        |      |        |       |      | [SUA] [ABB]              |
| -16  |             |     |      |        |      |        |       |      | RETAINER, Spring         |
|      | 4664 130    | 1   |      |        |      |        |       |      | [SUA]                    |
|      |             | 1   |      |        |      |        |       |      | [SUA] [ABB]              |
|      |             | 1   |      |        |      |        |       |      | [SUA]                    |
|      |             | 1   |      |        |      |        |       |      | [SUA] [ABB]              |
| -17  |             |     |      |        |      |        |       |      | SCREW, .164-18x1.00      |
|      | 6035 937AA  | 2   |      |        |      |        |       |      | [SUA]                    |
|      |             | 2   |      |        |      |        |       |      | [SUA] [ABB]              |
|      |             | 2   |      |        |      |        |       |      | [SUA]                    |
|      |             | 2   |      |        |      |        |       |      | [SUA] [ABB]              |
| -18  |             |     |      |        |      |        |       |      | WEDGE                    |
|      | 4690 570    | 1   |      |        |      |        |       |      | [SUA]                    |
|      |             | 1   |      |        |      |        |       |      | [SUA] [ABB]              |



**JEEP WRANGLER (TJ)**

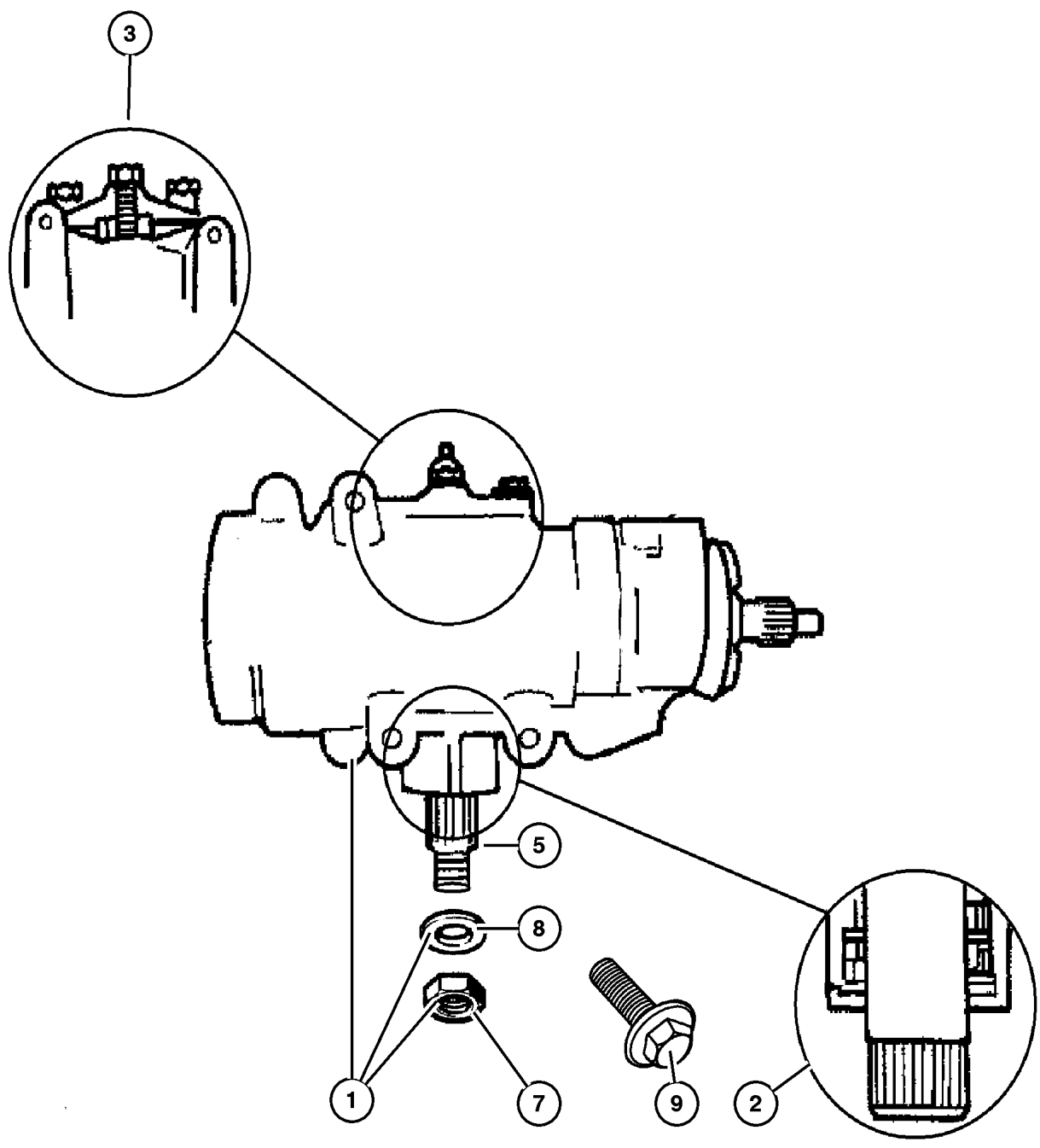
|             |                        |              |                       |                              |
|-------------|------------------------|--------------|-----------------------|------------------------------|
| SERIES      | LINE                   | BODY         | ENGINE                | TRANSMISSION                 |
| H = Sport   | J = Wrangler 4WD       | 77 = 93.4 WB | ED1, ED0 = 2.4L DOHC  | DGG, DGD = 32RH 3 Spd. Auto. |
| L = SE      | U = Wrangler 4WD (RHD) |              | ERH = 4.0L Power Tech | DDD = 5 Speed HD Manual      |
| M = X       |                        |              |                       | DG0 = Auto. Trans.           |
| P = Sahara  |                        |              |                       | DBB = Manual Trans.          |
| S = Rubicon |                        |              |                       | DDK = 5 Speed Manual         |

AR = Use as required - = Non illustrated part # = New this model year

August 27, 2004

## Gear, Power Steering Figure 019-310

| ITEM | PART NUMBER | QTY | LINE | SERIES | BODY | ENGINE | TRANS | TRIM | DESCRIPTION  |
|------|-------------|-----|------|--------|------|--------|-------|------|--|
| 1    |             |     |      |        |      |        |       |      | GEAR, Power Steering   |
|      | 52088 993AD | 1   | J    |        |      |        |       |      |  |
|      | 52088 994AD | 1   | U    |        | 77   |        |       |      |  |
| 2    |             |     |      |        |      |        |       |      | GEAR, Power Steering, (NOT SERVICED) (Not Serviced)                |
| 3    |             |     |      |        |      |        |       |      | O RING KIT, Cover, Valve, (NOT SERVICED) (Not Serviced)            |
| -4   |             |     |      |        |      |        |       |      | GASKET KIT, Top Cover, (NOT SERVICED) (Not Serviced)               |
| 5    |             |     |      |        |      |        |       |      | SHAFT KIT, Pitman Shaft Replacement, (NOT SERVICED) (Not Serviced) |
| -6   |             |     |      |        |      |        |       |      | SEAL KIT, Input Shaft Seal, (NOT SERVICED) (Not Serviced)          |
| 7    | J320 0501   | 1   |      |        |      |        |       |      | NUT, Steering Gear Arm, Pitman Arm to Gear                         |
| 8    | S010 3336   | 1   |      |        |      |        |       |      | WASHER, Lock, .875x1.469, Pitman Arm to Gear                       |
| 9    | 6036 502AA  | 3   |      |        |      |        |       |      | SCREW AND WASHER, Steering Gear Mounting                           |



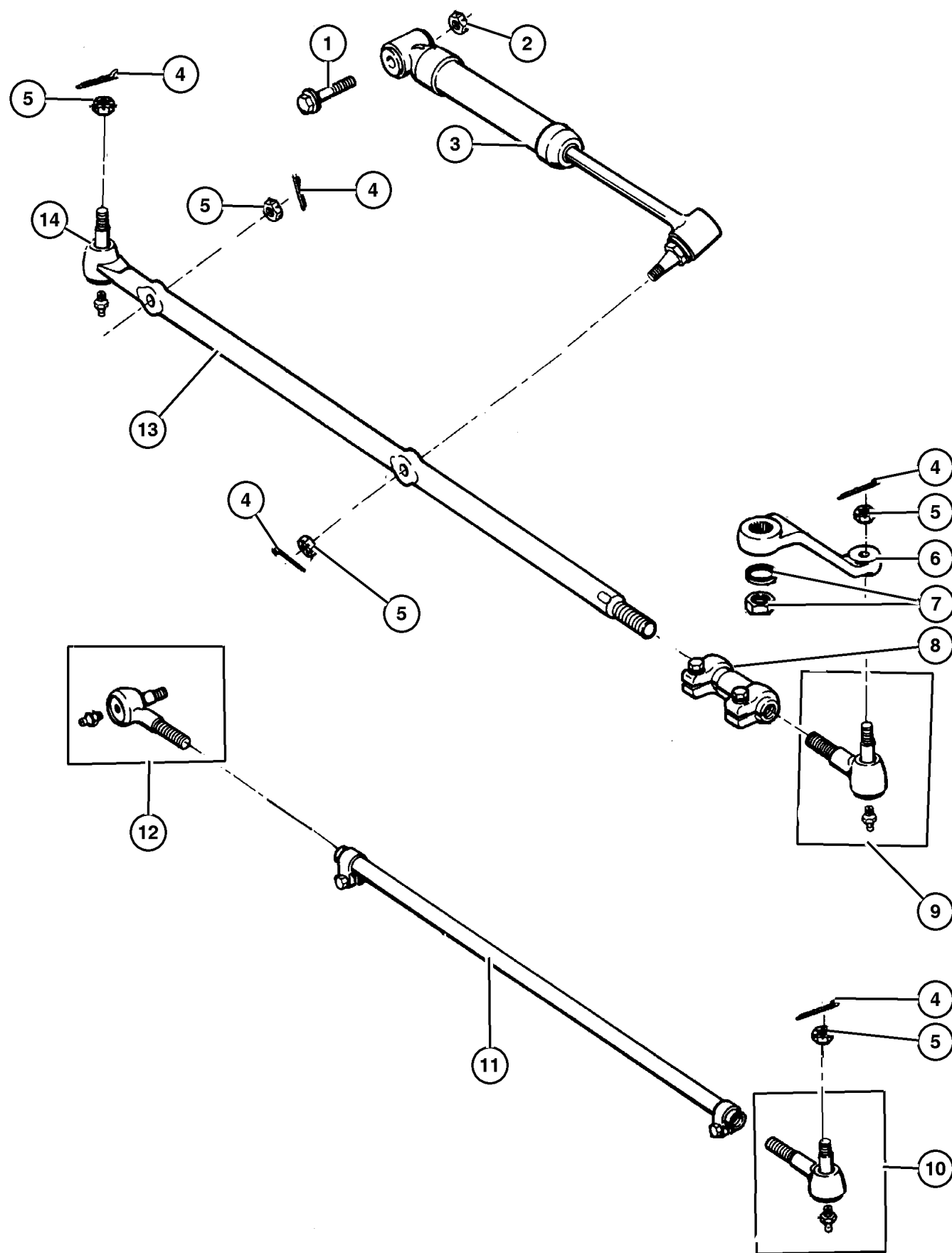
**JEEP WRANGLER (TJ)**

|             |                        |              |                       |                              |
|-------------|------------------------|--------------|-----------------------|------------------------------|
| SERIES      | LINE                   | BODY         | ENGINE                | TRANSMISSION                 |
| H = Sport   | J = Wrangler 4WD       | 77 = 93.4 WB | ED1, ED0 = 2.4L DOHC  | DGG, DGD = 32RH 3 Spd. Auto. |
| L = SE      | U = Wrangler 4WD (RHD) |              | ERH = 4.0L Power Tech | DDD = 5 Speed HD Manual      |
| M = X       |                        |              |                       | DG0 = Auto. Trans.           |
| P = Sahara  |                        |              |                       | DBB = Manual Trans.          |
| S = Rubicon |                        |              |                       | DDK = 5 Speed Manual         |

AR = Use as required - = Non illustrated part # = New this model year

August 27, 2004

## Linkage and Damper Figure 019-410



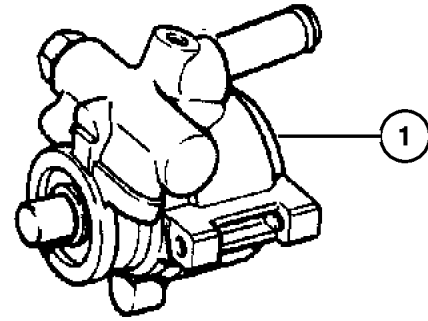
| ITEM | PART NUMBER | QTY | LINE | SERIES | BODY | ENGINE | TRANS | TRIM | DESCRIPTION  |
|------|-------------|-----|------|--------|------|--------|-------|------|--|
| 1    | 6502 473    | 1   |      |        |      |        |       |      | BOLT, Hex Flange Head, M12x1.75x65, Steering Damper to Axle Bracket            |
| 2    | 6502 697    | 2   |      |        |      |        |       |      | NUT, Hex Flange Lock, M12x1.75   |
| 3    | 52088 959AA | 1   | J    |        |      |        |       |      | DAMPER, Steering Linkage   |
| 4    |             |     |      |        |      |        |       |      | PIN, Cotter, (NOT SERVICED) (Not Serviced)                                     |
| 5    |             |     |      |        |      |        |       |      | NUT, Hex, .50-20   |
|      | 6034 358    | 1   |      |        |      |        |       |      | Tie Rod to Knuckle, Mounting   |
|      |             | 1   |      |        |      |        |       |      | Damper Stud to Drag Link, Mounting   |
|      |             | 1   |      |        |      |        |       |      | Drag Link to Pitman Arm, Mounting  |
|      |             | 1   |      |        |      |        |       |      | Tie Rod to Drag Link, Mounting   |
|      |             | 1   |      |        |      |        |       |      | Drag Link to Knuckle, Mounting   |
| 6    | 5203 8337   | 1   | J    |        |      |        |       |      | ARM, Pitman  |
| 7    |             |     |      |        |      |        |       |      | NUT AND WASHER, Must Purchase Gear Box Assembly, (NOT SERVICED) (Not Serviced) |
| 8    | 52037 536AB | 1   | J    |        |      |        |       |      | TUBE, Tie Rod  |
| 9    | 5200 5739   | 1   | J    |        |      |        |       |      | SOCKET, Inner  |
| 10   | 5200 5741   | 1   | J    |        |      |        |       |      | SOCKET, Tie Rod, Outer   |
| 11   |             |     |      |        |      |        |       |      | TUBE, Tie Rod  |
|      | 52005 743AB | 1   | J    |        |      |        | 77    |      |  |
|      |             | 1   | U    |        |      |        |       |      |  |
| 12   | 5200 5740   | 1   | J    |        |      |        |       |      | SOCKET, Tie Rod, Inner   |
| 13   | 5208 7887   | 1   | J    |        |      |        |       |      | SOCKET, Drag Link, Outer   |
| 14   | 5200 0988   | 1   | U    |        |      |        | 77    |      | SEAL, Tie Rod End  |
| -15  |             |     |      |        |      |        |       |      | FITTING KIT, GREASE  |
|      | 83507 064AB | 1   | U    |        |      |        | 77    |      |  |
|      |             | 1   | J    |        |      |        |       |      |  |
| -16  | 6502 696    | 2   |      |        |      |        |       |      | NUT, Hex Flange Lock, M10x1.5  |

**JEEP WRANGLER (TJ)**

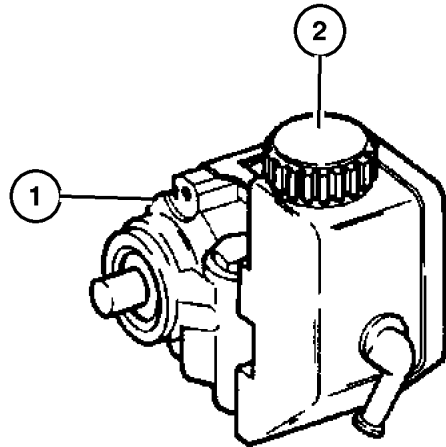
|               |                        |              |                       |                              |
|---------------|------------------------|--------------|-----------------------|------------------------------|
| <b>SERIES</b> | <b>LINE</b>            | <b>BODY</b>  | <b>ENGINE</b>         | <b>TRANSMISSION</b>          |
| H = Sport     | J = Wrangler 4WD       | 77 = 93.4 WB | ED1, ED0 = 2.4L DOHC  | DGG, DGD = 32RH 3 Spd. Auto. |
| L = SE        | U = Wrangler 4WD (RHD) |              | ERH = 4.0L Power Tech | DDD = 5 Speed HD Manual      |
| M = X         |                        |              |                       | DG0 = Auto. Trans.           |
| P = Sahara    |                        |              |                       | DBB = Manual Trans.          |
| S = Rubicon   |                        |              |                       | DDK = 5 Speed Manual         |

AR = Use as required - = Non illustrated part # = New this model year

**Pump, Power Steering  
Figure 019-510**



**W/2.4L**



**W/4.0L**

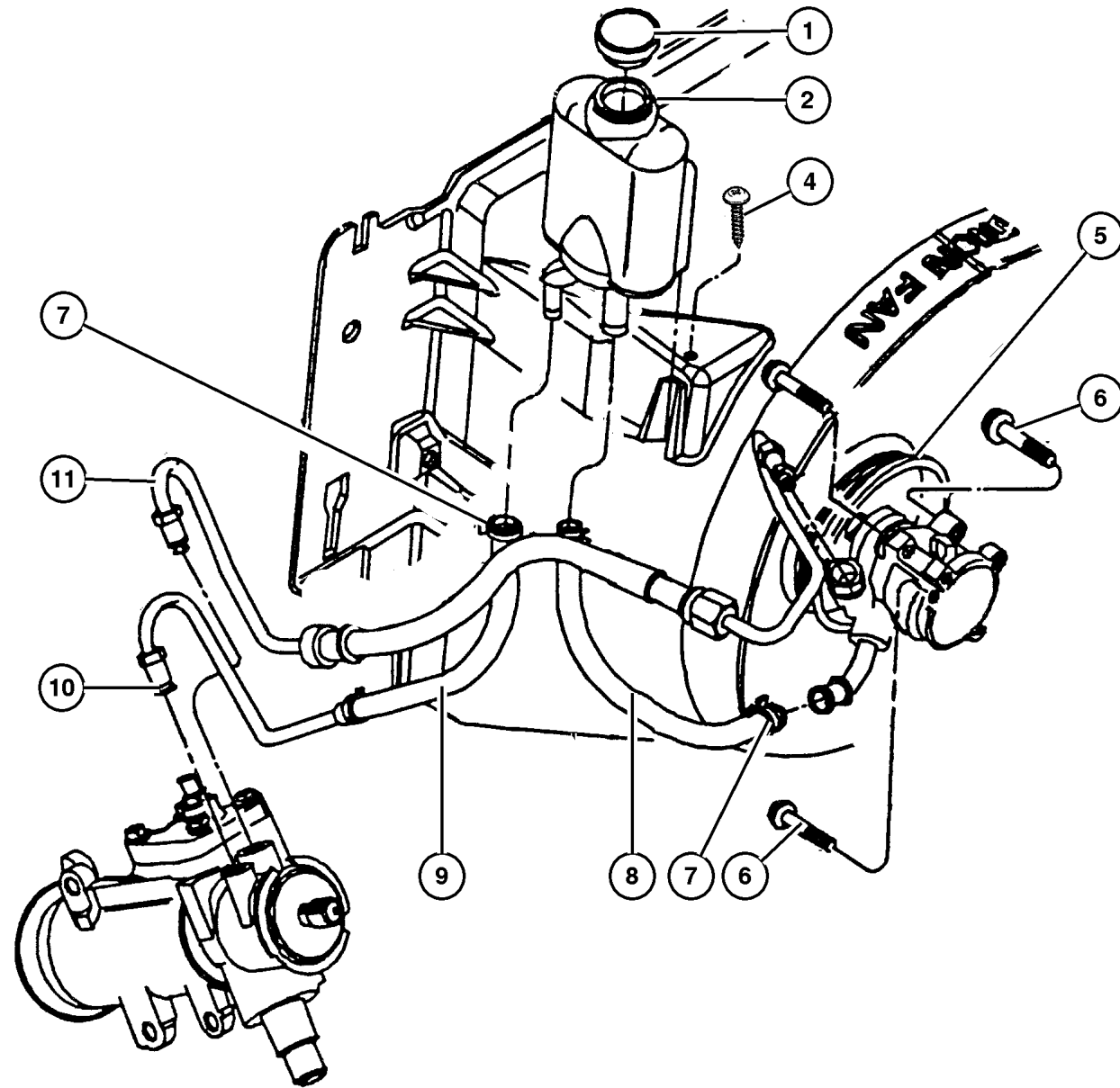
| ITEM                                    | PART NUMBER | QTY | LINE | SERIES | BODY | ENGINE | TRANS | TRIM | DESCRIPTION                        |
|---|-------------|-----|------|--------|------|--------|-------|------|------------------------------------|
| Note:Sales Codes;                       |             |     |      |        |      |        |       |      |                                    |
| [ED0]=Engines - All 2.4L 4 Cylinder Gas |             |     |      |        |      |        |       |      |                                    |
| [ER0]=Engines - All 4.0L 6 Cylinder Gas |             |     |      |        |      |        |       |      |                                    |
| 1                                       |             |     |      |        |      |        |       |      | PUMP, Power Steering               |
|   | 52089 018AC | 1   |      |        |      | ED0    |       |      |                                    |
|   | 52087 871AE | 1   |      |        |      | ER0    |       |      | with Reservoir                     |
| 2                                       | 4897 287AA  | 1   |      |        |      | ER0    |       |      | CAP, Power Steering Reservoir      |
| -3                                      |             |     |      |        |      |        |       |      | CLIP, Power Steering Reservoir     |
|   | 5137 626AA  | 1   |      |        |      | ER0    |       |      | Right                              |
|   | 5137 627AA  | 1   |      |        |      | ER0    |       |      | Left                               |
| -4                                      | 8350 3489   | 1   |      |        |      | ER0    |       |      | VALVE, Flow Control                |
| -5                                      | 2537 833    | 1   |      |        |      | ER0    |       |      | SPRING, Power Steering Pump Flow   |
| -6                                      | 4778 797AB  | 1   |      |        |      | ER0    |       |      | SEAL, Power Steering Pump          |
| -7                                      | 5066 223AA  | 1   |      |        |      | ER0    |       |      | KIT, Pump Assembly Service Kit     |
| -8                                      | 5066 224AA  | 1   |      |        |      | ER0    |       |      | KIT, Resivoir Assembly Service Kit |

|                           |                        |              |                       |                         |
|---------------------------|------------------------|--------------|-----------------------|-------------------------|
| <b>JEEP WRANGLER (TJ)</b> |                        |              |                       |                         |
| SERIES                    | LINE                   | BODY         | ENGINE                | TRANSMISSION            |
| H = Sport                 | J = Wrangler 4WD       | 77 = 93.4 WB | ED1, ED0 = 2.4L DOHC  | DGG, DGD = 32RH 3 Spd.  |
| L = SE                    | U = Wrangler 4WD (RHD) |              | ERH = 4.0L Power Tech | Auto.                   |
| M = X                     |                        |              |                       | DDD = 5 Speed HD Manual |
| P = Sahara                |                        |              |                       | DG0 = Auto. Trans.      |
| S = Rubicon               |                        |              |                       | DBB = Manual Trans.     |
|                           |                        |              |                       | DDK = 5 Speed Manual    |

AR = Use as required - = Non illustrated part # = New this model year

August 27, 2004

Hoses and Reservoir, 2.4L Engine [ED0]  
Figure 019-710



| ITEM                                    | PART NUMBER | QTY | LINE | SERIES | BODY | ENGINE | TRANS | TRIM | DESCRIPTION   |
|---|-------------|-----|------|--------|------|--------|-------|------|---|
| Note:Sales Codes;                       |             |     |      |        |      |        |       |      |   |
| [ED0]=Engines - All 2.4L 4 Cylinder Gas |             |     |      |        |      |        |       |      |   |
| 1                                       | 4694 766    | 1   |      |        |      | ED0    |       |      | CAP, Power Steering Pump  |
| 2                                       | 52087 713AB | 1   |      |        |      | ED0    |       |      | RESERVOIR, Power Steering Pump                                    |
| -3                                      | 6035 102    | 2   |      |        |      |        |       |      | SCREW, Hex Flange Head Tapping,<br>.25-14x.75, Reservoir Mounting |
| 4                                       | 52088 924AA | 1   |      |        |      | ED0    |       |      | RETAINER, Reservoir   |
| 5                                       | 53031 722AA | 1   |      |        |      | ED0    |       |      | PULLEY, Power Steering Pump                                       |
| 6                                       | 6502 425    | 3   |      |        |      | ED0    |       |      | SCREW AND WASHER, Hex Head,<br>M8x1.25x95                         |
| 7                                       | 6502 092    | 1   |      |        | 77   | ED0    |       |      | CLAMP, Hose   |
| 8                                       | 52089 017AC | 1   |      |        |      | ED0    |       |      | HOSE, Power Steering Reservoir                                    |
| 9                                       | 52089 014AD | 1   | J    |        |      | ED0    |       |      | HOSE, Power Steering Return                                       |
| 10                                      | 5205 254    | 2   | J    |        |      | ED0    |       |      | O RING, Power Steering Hose                                       |
| 11                                      | 52089 016AD | 1   | J    |        |      | ED0    |       |      | HOSE, Power Steering Pressure                                     |
| -12                                     | 6505 178AA  | 1   |      |        |      | ED0    |       |      | SCREW, Hex Head   |
| -13                                     | 4486 273    | 1   | U    |        | 77   |        |       |      | BRACKET, Power Steering Hose                                      |
| -14                                     | 56044 169AA | 1   | J    |        |      | ED0    |       |      | SWITCH, Power Steering  |
| -15                                     | 6035 358    | 1   | U    |        | 77   |        |       |      | CLIP, Oil Cooler Tube   |
| -16                                     | 5200 2044   | 1   | U    |        | 77   |        |       |      | CLIP, Tube  |

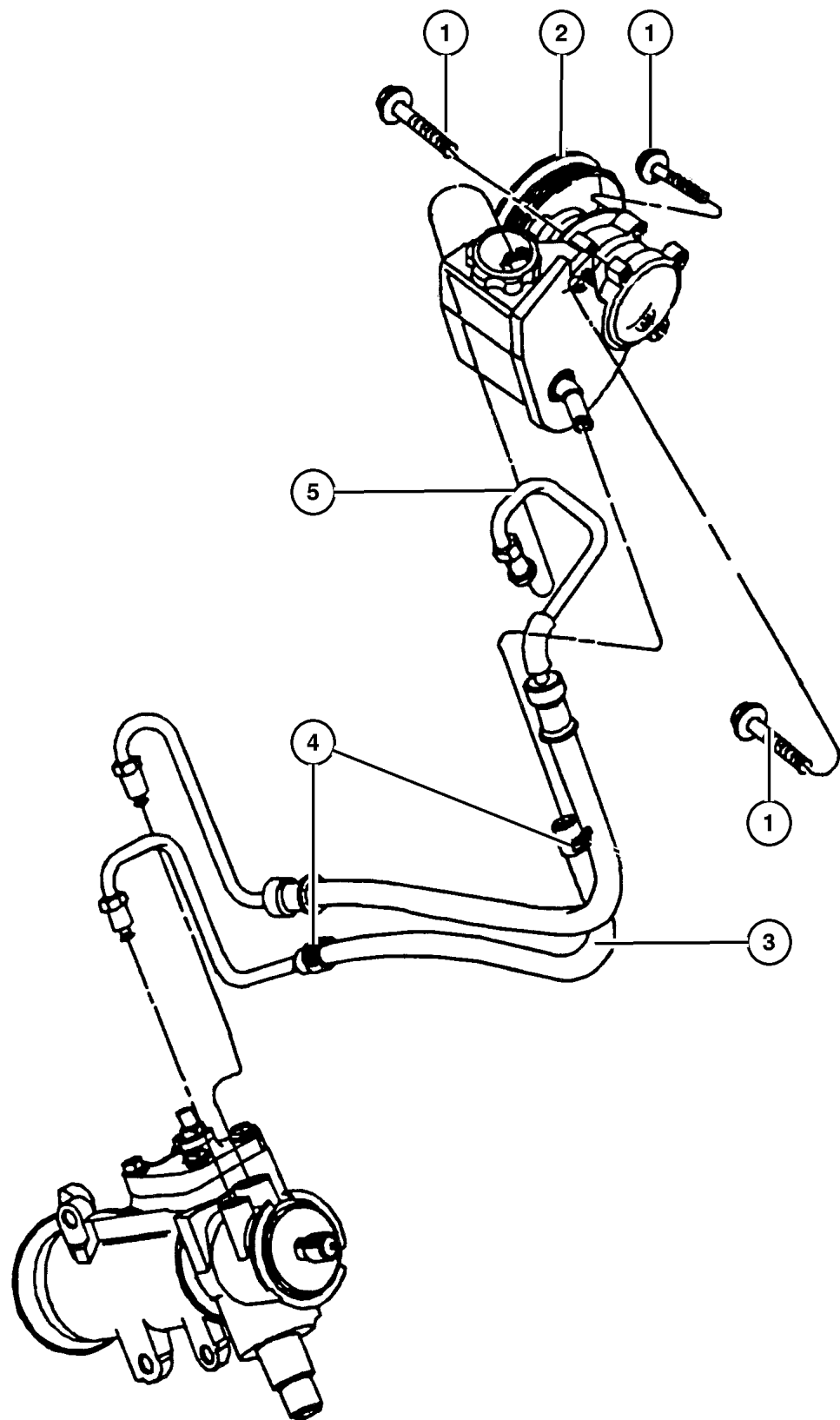
JEEP WRANGLER (TJ)

| SERIES      | LINE                   | BODY         | ENGINE                | TRANSMISSION                    |
|-------------|------------------------|--------------|-----------------------|---------------------------------|
| H = Sport   | J = Wrangler 4WD       | 77 = 93.4 WB | ED1, ED0 = 2.4L DOHC  | DGG, DGD = 32RH 3 Spd.<br>Auto. |
| L = SE      | U = Wrangler 4WD (RHD) |              | ERH = 4.0L Power Tech | DDD = 5 Speed HD Manual         |
| M = X       |                        |              |                       | DG0 = Auto. Trans.              |
| P = Sahara  |                        |              |                       | DBB = Manual Trans.             |
| S = Rubicon |                        |              |                       | DDK = 5 Speed Manual            |

AR = Use as required - = Non illustrated part # = New this model year

August 27, 2004

## Hoses and Reservoir, 4.0L Engine [ER0] Figure 019-720



| ITEM                                    | PART NUMBER | QTY | LINE | SERIES | BODY | ENGINE | TRANS | TRIM | DESCRIPTION  |
|---|-------------|-----|------|--------|------|--------|-------|------|--|
| Note: Sales Codes;                      |             |     |      |        |      |        |       |      |  |
| [ER0]=Engines - All 4.0L 6 Cylinder Gas |             |     |      |        |      |        |       |      |  |
| 1                                       | 6502 425    | 3   |      |        |      | ER0    |       |      | SCREW AND WASHER, Hex Head, M8x1.25x95                         |
| 2                                       | 53010 258AB | 1   |      |        |      | ER0    |       |      | PULLEY, Power Steering Pump                                    |
| 3                                       | 52089 169AD | 1   | J    |        |      | ER0    |       |      | HOSE, Power Steering Return                                    |
| 4                                       | 6503 573    | 1   |      |        |      |        |       |      | CLAMP, Hose  |
| 5                                       | 52089 168AC | 1   | J    |        |      | ER0    |       |      | HOSE, Power Steering Pressure                                  |
| -6                                      | 6505 754AA  | 4   |      |        |      | ER0    |       |      | SCREW, Hex Head  |
| -7                                      | 4815 987AB  | 1   |      |        |      | ER0    |       |      | CLIP, Oil Cooler Tube  |
| -8                                      | 6506 121AA  | 1   |      |        |      | ER0    |       |      | CLIP, Tube   |
| -9                                      | 4486 273    | 1   | U    |        | 77   |        |       |      | BRACKET, Power Steering Hose                                   |
| -10                                     | 6035 102    | 2   |      |        |      |        |       |      | SCREW, Hex Flange Head Tapping, .25-14x.75, Reservoir Mounting |

**JEEP WRANGLER (TJ)**

|             |                        |              |                       |                              |
|-------------|------------------------|--------------|-----------------------|------------------------------|
| SERIES      | LINE                   | BODY         | ENGINE                | TRANSMISSION                 |
| H = Sport   | J = Wrangler 4WD       | 77 = 93.4 WB | ED1, ED0 = 2.4L DOHC  | DGG, DGD = 32RH 3 Spd. Auto. |
| L = SE      | U = Wrangler 4WD (RHD) |              | ERH = 4.0L Power Tech | DDD = 5 Speed HD Manual      |
| M = X       |                        |              |                       | DG0 = Auto. Trans.           |
| P = Sahara  |                        |              |                       | DBB = Manual Trans.          |
| S = Rubicon |                        |              |                       | DDK = 5 Speed Manual         |

AR = Use as required - = Non illustrated part # = New this model year

August 27, 2004

# Group – 42RLE

## Automatic Transmisstion 4 Speed

### GROUP 42RLE - Automatic Transmisstion 4 Speed

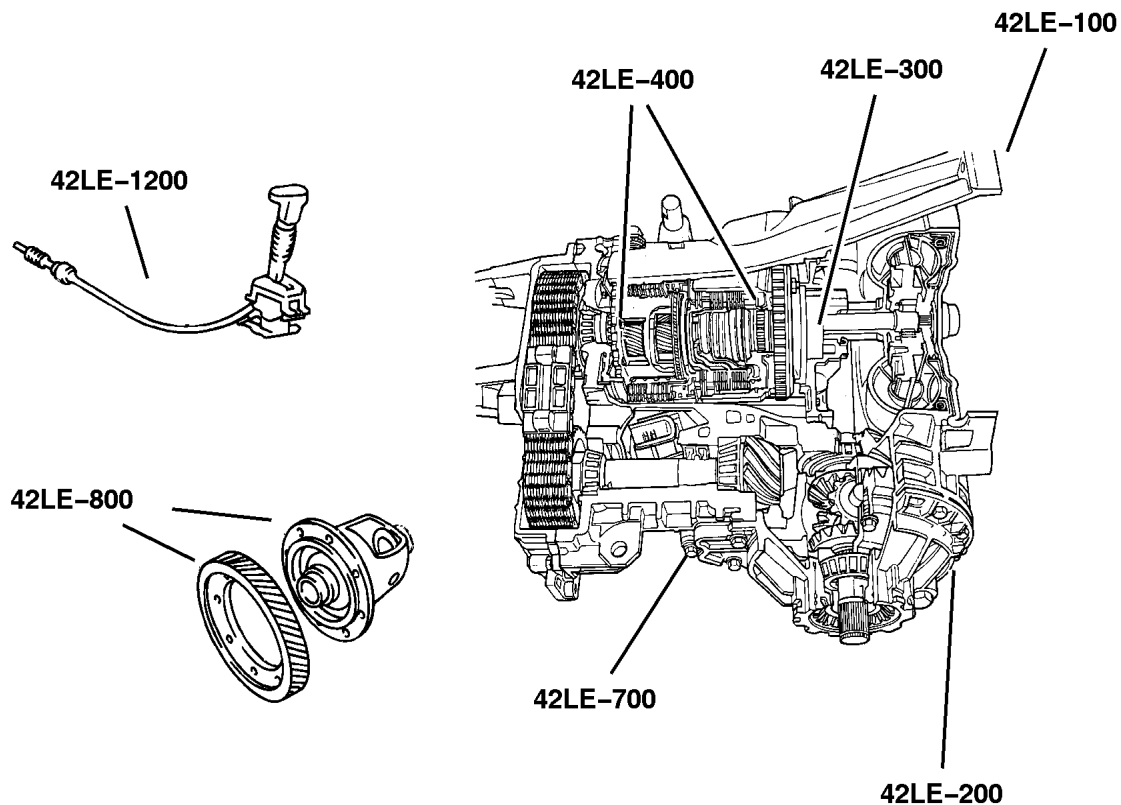


Illustration Title

Group-Fig. No.

#### Transmission Assembly

Transmission Assembly [DG6] ..... Fig. 42RLE-110

#### Case and Extension

Case and Related Parts [DG6] ..... Fig. 42RLE-210

Adapter, Rear [DG6] [DG6] ..... Fig. 42RLE-220

#### Oil Pump

Oil Pump & Reaction Shaft [DG6] ..... Fig. 42RLE-310

#### Gear Train

Clutch, Input Shaft [DG6] ..... Fig. 42RLE-410

Gear Train [DG6] ..... Fig. 42RLE-420

#### Valve Body


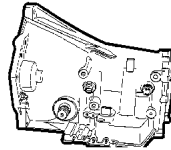

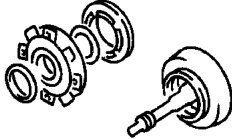
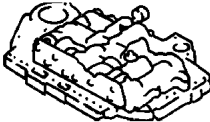

Valve Body [DG6] [DG6] ..... Fig. 42RLE-710

Accumulator Piston & Spring ..... Fig. 42RLE-720

Parking Sprag [DG6] [DG6] ..... Fig. 42RLE-730

#### Gearshift Controls

Gearshift Controls [DG6] ..... Fig. 42RLE-1210

|   |   |  |  |
|---|---|--|--|
| <p><b>42RLE-100</b><br/>Transmission Assembly</p>  | <p><b>42RLE-200</b><br/>Case and Extension</p>   | <p><b>42RLE-300</b><br/>Oil Pump</p>  | <p><b>42RLE-400</b><br/>Gear Train</p>  |
| <p><b>42RLE-700</b><br/>Valve Body</p>             | <p><b>42RLE-1200</b><br/>Gearshift Controls</p>  |  |  |



**Transmission Assembly [DG6]  
Figure 42RLE-110**

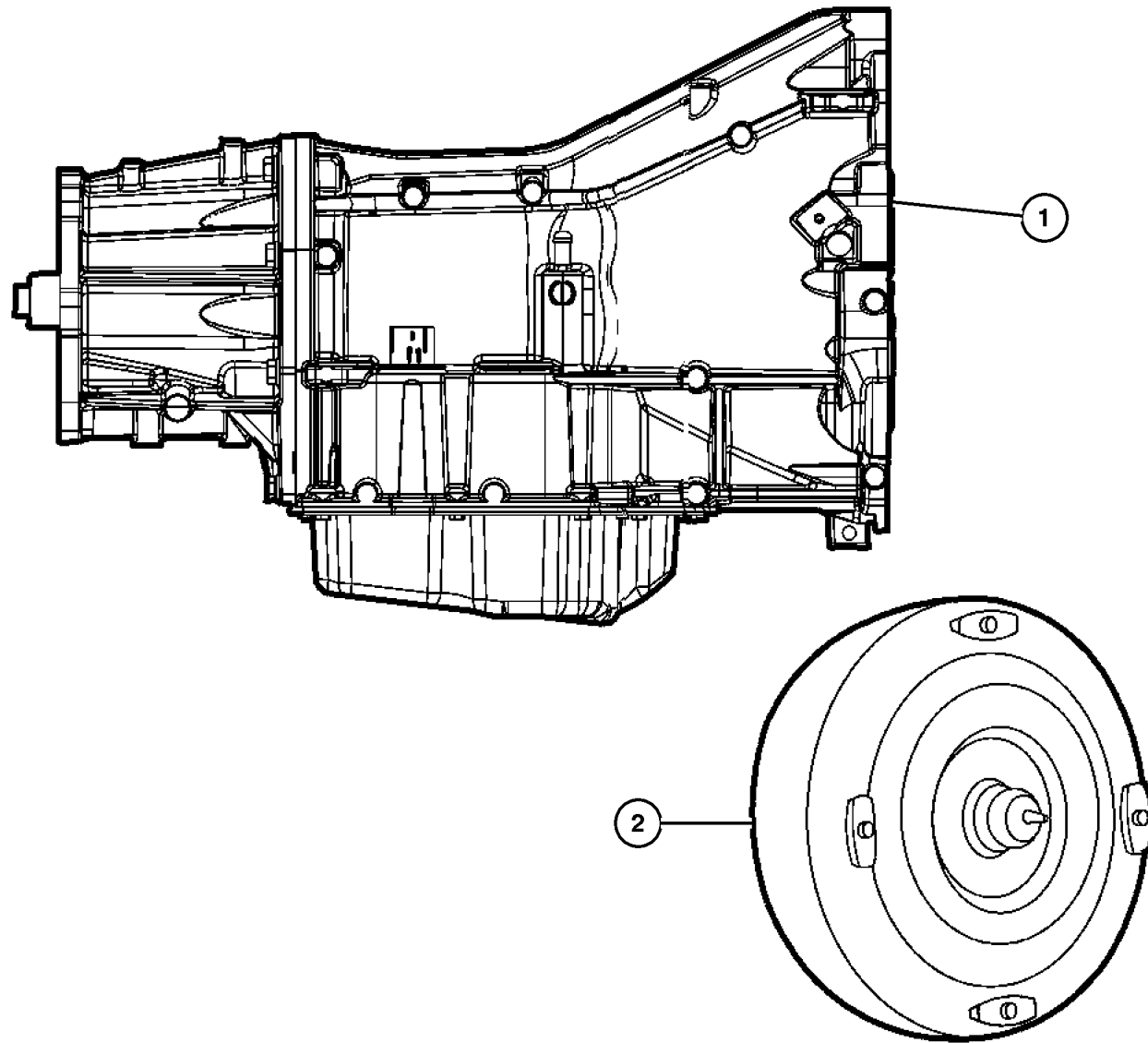
| ITEM | PART NUMBER | QTY | LINE | SERIES | BODY | ENGINE | TRANS | TRIM | DESCRIPTION |
|------|-------------|-----|------|--------|------|--------|-------|------|-------------|
|------|-------------|-----|------|--------|------|--------|-------|------|-------------|

NOTE: Sales Codes:

[DG6]=Four Speed Automatic Transmission - 42RLE

[ER0]=All 4.0L Inline Six Engines

|   |            |   |  |  |  |     |  |  |                           |
|---|------------|---|--|--|--|-----|--|--|---------------------------|
| 1 |            |   |  |  |  |     |  |  | TRANSMISSION PACKAGE      |
|   | 5161 495AA | 1 |  |  |  | ER0 |  |  |                           |
|   | 5161 497AA | 1 |  |  |  | ED0 |  |  |                           |
| 2 | 5093 944AB | 1 |  |  |  | ER0 |  |  | CONVERTER PACKAGE, Torque |



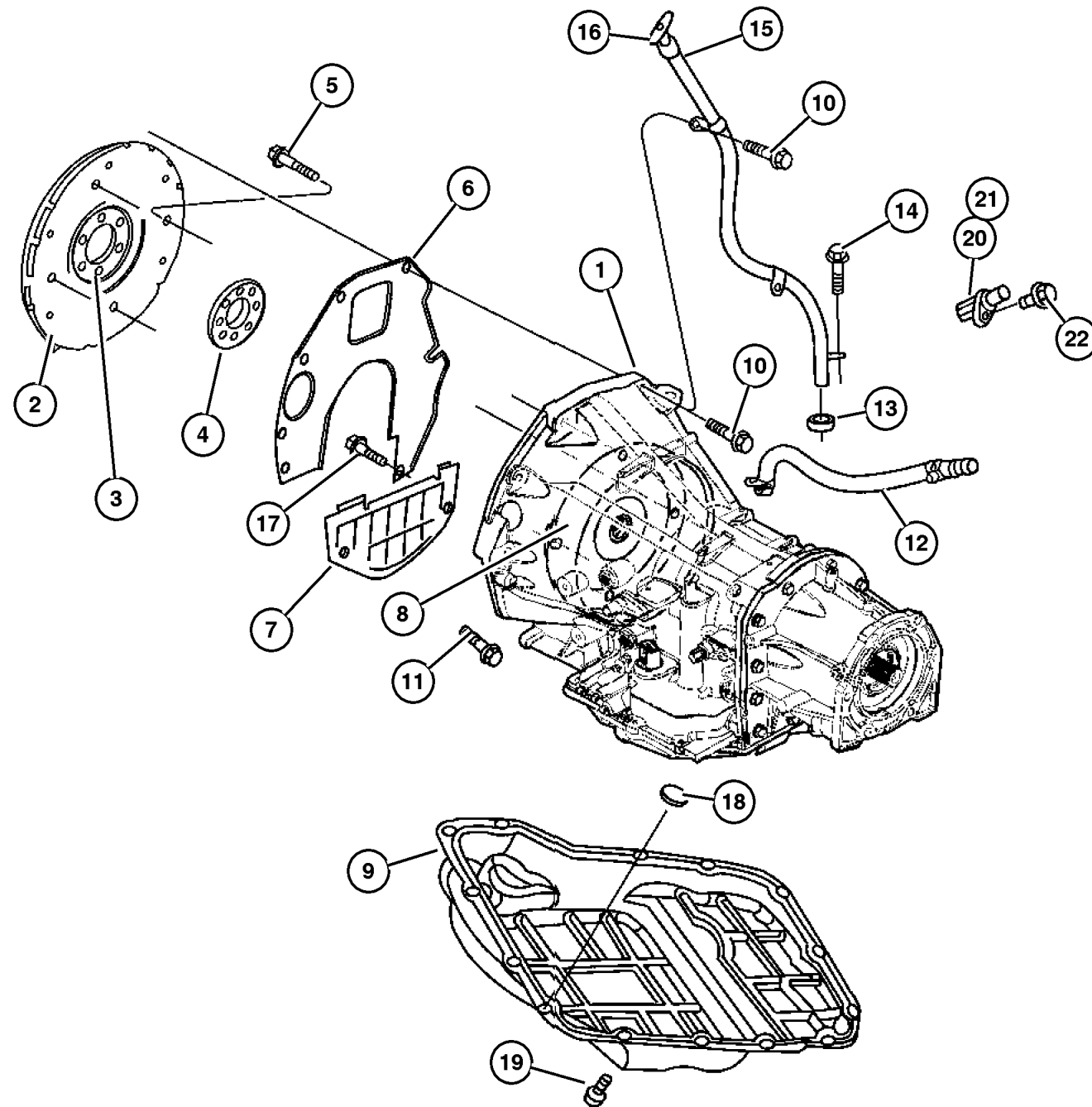
**JEEP WRANGLER (TJ)**

| SERIES      | LINE                   | BODY         | ENGINE                | TRANSMISSION                 |
|-------------|------------------------|--------------|-----------------------|------------------------------|
| H = Sport   | J = Wrangler 4WD       | 77 = 93.4 WB | ED1, ED0 = 2.4L DOHC  | DGG, DGD = 32RH 3 Spd. Auto. |
| L = SE      | U = Wrangler 4WD (RHD) |              | ERH = 4.0L Power Tech | DDD = 5 Speed HD Manual      |
| M = X       |                        |              |                       | DG0 = Auto. Trans.           |
| P = Sahara  |                        |              |                       | DBB = Manual Trans.          |
| S = Rubicon |                        |              |                       | DDK = 5 Speed Manual         |

AR = Use as required - = Non illustrated part # = New this model year

August 27, 2004

**Case and Related Parts [DG6]  
Figure 42RLE-210**



| ITEM | PART NUMBER | QTY | LINE | SERIES | BODY | ENGINE | TRANS | TRIM | DESCRIPTION |
|------|-------------|-----|------|--------|------|--------|-------|------|-------------|
|------|-------------|-----|------|--------|------|--------|-------|------|-------------|

**NOTE:**

Sales Codes:

[DG6]=4 Speed Automatic Transmission - 42RLE

[ER0]=All 4.0L Inline 6 Engines

|    |             |    |  |  |  |     |  |  |   |
|----|-------------|----|--|--|--|-----|--|--|---|
| 1  | 5114 350AA  | 1  |  |  |  | ER0 |  |  | CASE, Transmission, See Engine Group  |
| 2  | 4736 448AA  | 1  |  |  |  | ER0 |  |  | PLATE, Drive Plate  |
| 3  | J315 1407   | 6  |  |  |  | ER0 |  |  | BOLT, Hex Head, .50-20x.56  |
| 4  | J321 4094   | 1  |  |  |  | ER0 |  |  | PLATE, Drive Plate Backing  |
| 5  | 6504 383    | 4  |  |  |  | ER0 |  |  | BOLT, Hex Head, M10x1.50 x 13.20  |
| 6  | 52104 426AB | 1  |  |  |  | ER0 |  |  | SHIELD, Lower Bell  |
| 7  | 52104 427AA | 1  |  |  |  | ER0 |  |  | SPACER  |
| 8  | 5093 944AB  | 1  |  |  |  | ER0 |  |  | CONVERTER PACKAGE, Torque   |
| 9  | 52852 912AB | 1  |  |  |  | ER0 |  |  | PAN, Transmission Oil, See Illustration # 110   |
| 10 | J400 7389   | 2  |  |  |  | ER0 |  |  | BOLT, Torx  |
| 11 | J400 4370   | 2  |  |  |  | ER0 |  |  | BOLT AND WASHER, Hex Head, .437-14x2.75   |
| 12 | 52104 365AB | 1  |  |  |  |     |  |  | TUBE, Vent  |
| 13 | 4810 021    | 1  |  |  |  | ER0 |  |  | GROMMET   |
| 14 | 6501 979    | 1  |  |  |  |     |  |  | SCREW AND WASHER, Hex Head, M6x1x17   |
| 15 | 52104 428AB | 1  |  |  |  | ER0 |  |  | TUBE, Transmission Oil Filler   |
| 16 | 52104 414AC | 1  |  |  |  | ER0 |  |  | INDICATOR, Transmission Fluid Level   |
| 17 |             |    |  |  |  |     |  |  | SCREW AND WASHER, Hex Head, M10x1.5x16, [M10X1.50X16.00], (NOT SERVICED) (Not Serviced) |
| 18 | 3681 601    | 1  |  |  |  | ER0 |  |  | MAGNET, Transmission  |
| 19 | 6501 474    | 14 |  |  |  | ER0 |  |  | BOLT, Hex Head, M8x1.25x16  |
| 20 | 4799 061AB  | 1  |  |  |  | ER0 |  |  | SENSOR, Transmission Input Speed  |
| 21 | 52854 001AA | 1  |  |  |  | ER0 |  |  | SENSOR, Transmission Output Speed   |
| 22 | 6101 331    | 2  |  |  |  | ER0 |  |  | BOLT, M6x1.00x20  |

**JEEP WRANGLER (TJ)**

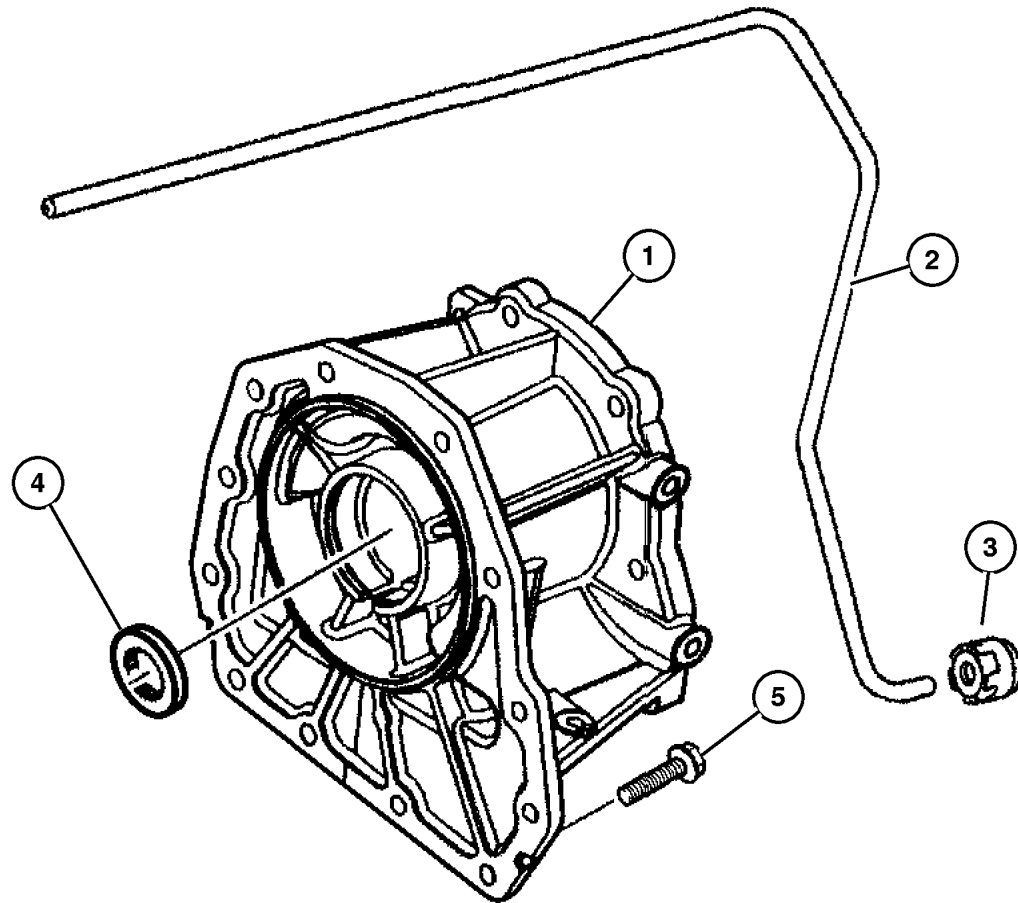
| SERIES      | LINE                   | BODY         | ENGINE                | TRANSMISSION                 |
|-------------|------------------------|--------------|-----------------------|------------------------------|
| H = Sport   | J = Wrangler 4WD       | 77 = 93.4 WB | ED1, ED0 = 2.4L DOHC  | DGG, DGD = 32RH 3 Spd. Auto. |
| L = SE      | U = Wrangler 4WD (RHD) |              | ERH = 4.0L Power Tech | DDD = 5 Speed HD Manual      |
| M = X       |                        |              |                       | DG0 = Auto. Trans.           |
| P = Sahara  |                        |              |                       | DBB = Manual Trans.          |
| S = Rubicon |                        |              |                       | DDK = 5 Speed Manual         |

AR = Use as required - = Non illustrated part # = New this model year

August 27, 2004

Adapter, Rear [DG6] [DG6]  
Figure 42RLE-220

| ITEM  | PART NUMBER | QTY | LINE | SERIES | BODY | ENGINE | TRANS | TRIM | DESCRIPTION                            |
|---|-------------|-----|------|--------|------|--------|-------|------|--|
| NOTE:Sales Codes:                               |             |     |      |        |      |        |       |      |  |
| [DG6]=Four Speed Automatic Transmission - 42RLE |             |     |      |        |      |        |       |      |  |
| [ER0]=All 4.0L Inline Six Engines               |             |     |      |        |      |        |       |      |  |
| 1   | 52852 910AB | 1   |      |        |      | ER0    |       |      | ADAPTER, Transmission                  |
| 2   | 52854 177AA | AR  |      |        |      |        |       |      | TUBE                                   |
| 3   | 52852 998AA | AR  |      |        |      |        |       |      | SEAL, Transmission                     |
| 4   | 4269 956AB  | AR  |      |        |      |        |       |      | SEAL, Adapter                          |
| 5   | 6504 774    | 11  |      |        |      | ER0    |       |      | SCREW AND WASHER, Hex Head, M10x1.5x37 |

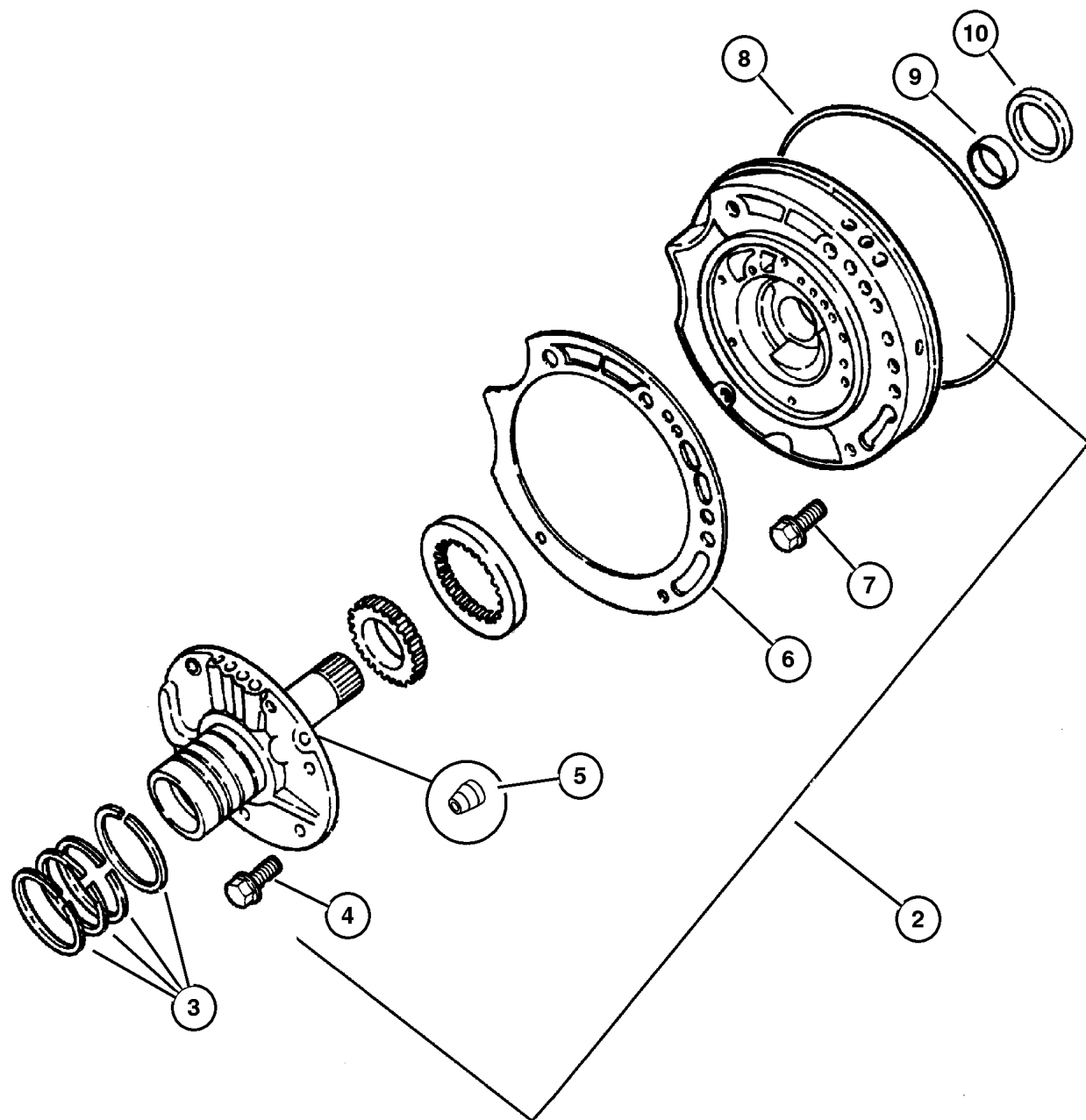


|                           |                        |              |                       |                              |
|---------------------------|------------------------|--------------|-----------------------|------------------------------|
| <b>JEEP WRANGLER (TJ)</b> |                        |              |                       |                              |
| SERIES                    | LINE                   | BODY         | ENGINE                | TRANSMISSION                 |
| H = Sport                 | J = Wrangler 4WD       | 77 = 93.4 WB | ED1, ED0 = 2.4L DOHC  | DGG, DGD = 32RH 3 Spd. Auto. |
| L = SE                    | U = Wrangler 4WD (RHD) |              | ERH = 4.0L Power Tech | DDD = 5 Speed HD Manual      |
| M = X                     |                        |              |                       | DG0 = Auto. Trans.           |
| P = Sahara                |                        |              |                       | DBB = Manual Trans.          |
| S = Rubicon               |                        |              |                       | DDK = 5 Speed Manual         |

AR = Use as required - = Non illustrated part # = New this model year

August 27, 2004

**Oil Pump & Reaction Shaft [DG6]  
Figure 42RLE-310**



| ITEM  | PART NUMBER | QTY | LINE | SERIES | BODY | ENGINE | TRANS | TRIM | DESCRIPTION                                    |
|---|-------------|-----|------|--------|------|--------|-------|------|--|
| NOTE:Sales Codes:                               |             |     |      |        |      |        |       |      |  |
| [DG6]=Four Speed Automatic Transmission - 42RLE |             |     |      |        |      |        |       |      |  |
| [ER0]=All 4.0L Inline Six Engines               |             |     |      |        |      |        |       |      |  |
| -1  | 4883 260    | 1   |      |        |      | ER0    |       |      | SEAL AND GASKET PACKAGE, Transmission Oil Pump |
| 2   | 5127 199AA  | 1   |      |        |      | ER0    |       |      | PUMP, Transmission Oil                         |
| 3   | 4471 874    | 4   |      |        |      | ER0    |       |      | SEAL, Ring Reaction Support, 2 1/16 O.D.       |
| 4   | 6500 211    | 6   |      |        |      | ER0    |       |      | BOLT, Hex Head, M8x1.25x19                     |
| 5   | 0147 482    | 2   |      |        |      | ER0    |       |      | BALL, Check Reaction Shaft                     |
|   | 4446 616    | 2   |      |        |      | ER0    |       |      | Reaction Shaft Support                         |
| 6   | 4412 844    | 1   |      |        |      | ER0    |       |      | GASKET, Transmission Oil Pump                  |
| 7   | 6506 408AA  | 5   |      |        |      | ER0    |       |      | SCREW AND WASHER, Hex Flange Head, M8x1.25x25  |
| 8   | 4659 945    | 1   |      |        |      | ER0    |       |      | SEAL, Oil Pump                                 |
| 9   | 4659 515    | 1   |      |        |      | ER0    |       |      | BUSHING, Front Pump                            |
| 10  | 4412 475    | 1   |      |        |      | ER0    |       |      | SEAL, Impeller Hub, 57.25mm OD                 |

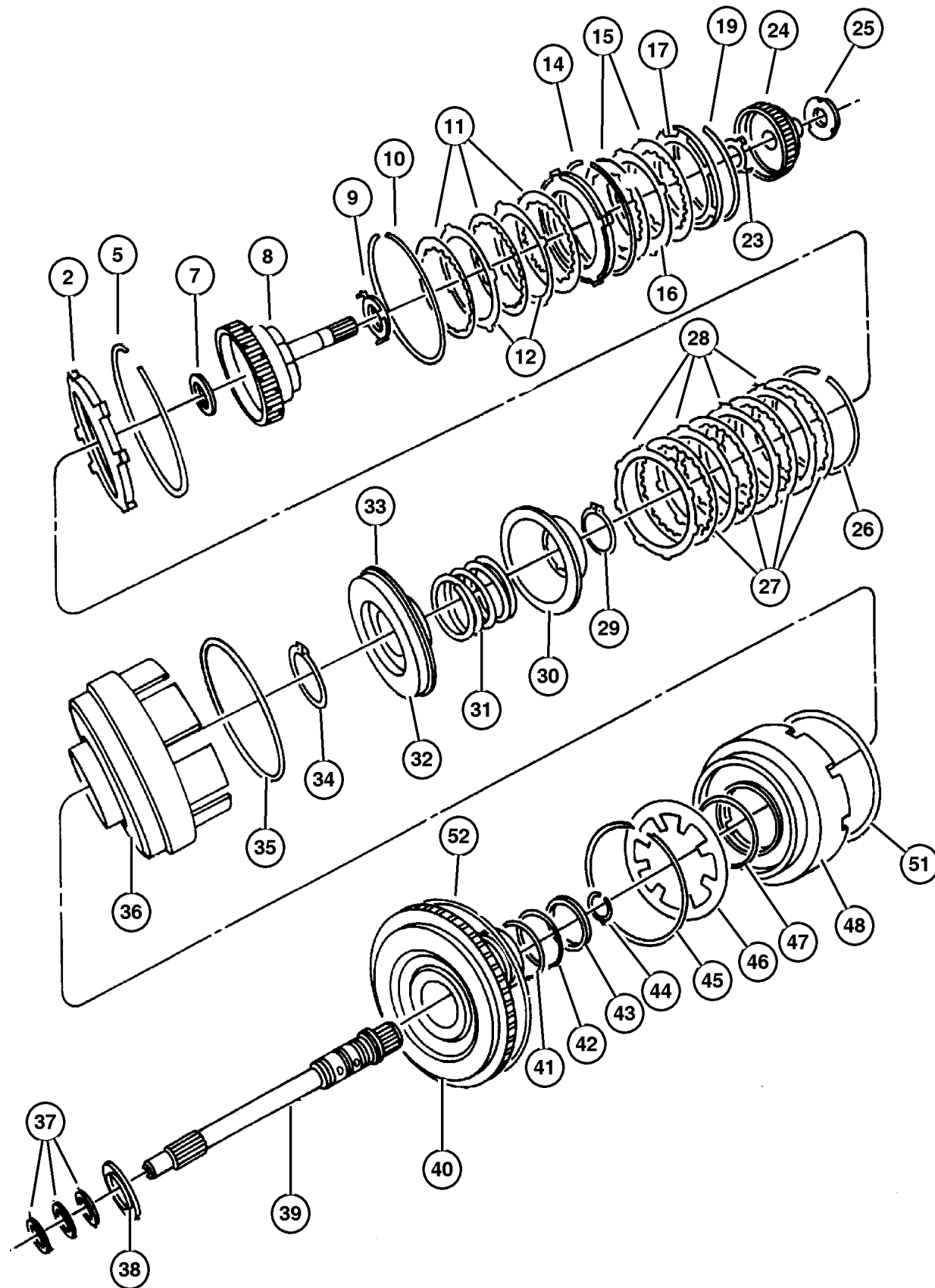
**JEEP WRANGLER (TJ)**

| SERIES      | LINE                   | BODY         | ENGINE                | TRANSMISSION                 |
|-------------|------------------------|--------------|-----------------------|------------------------------|
| H = Sport   | J = Wrangler 4WD       | 77 = 93.4 WB | ED1, ED0 = 2.4L DOHC  | DGG, DGD = 32RH 3 Spd. Auto. |
| L = SE      | U = Wrangler 4WD (RHD) |              | ERH = 4.0L Power Tech | DDD = 5 Speed HD Manual      |
| M = X       |                        |              |                       | DG0 = Auto. Trans.           |
| P = Sahara  |                        |              |                       | DBB = Manual Trans.          |
| S = Rubicon |                        |              |                       | DDK = 5 Speed Manual         |

AR = Use as required - = Non illustrated part # = New this model year

August 27, 2004

### Clutch, Input Shaft [DG6] Figure 42RLE-410



| ITEM   | PART NUMBER | QTY | LINE | SERIES | BODY | ENGINE | TRANS | TRIM | DESCRIPTION  |
|--|-------------|-----|------|--------|------|--------|-------|------|--|
| <b>NOTE:</b>                                 |             |     |      |        |      |        |       |      |  |
| Sales Codes:                                 |             |     |      |        |      |        |       |      |  |
| [DG6]=4 Speed Automatic Transmission - 42RLE |             |     |      |        |      |        |       |      |  |
| [ER0]=All 4.0L Inline 6 Engines              |             |     |      |        |      |        |       |      |  |
| -1   | 4883 240AB  | 1   |      |        |      | ER0    |       |      | SEAL AND GASKET PACKAGE, Transmission Front Clutch         |
| 2  | 4883 013AB  | 1   |      |        |      | ER0    |       |      | PLATE PACKAGE, Underdrive Reaction, 5.72/5.82              |
| -3   | 4883 014AB  | 1   |      |        |      | ER0    |       |      | PLATE PACKAGE, Underdrive Reaction, 6.21/6.31              |
| -4   | 4883 015AB  | 1   |      |        |      | ER0    |       |      | PLATE PACKAGE, Underdrive Reaction, 6.70/6.80              |
| 5  | 4659 934    | 1   |      |        |      | ER0    |       |      | SNAP RING, Underdrive Clutch, Tapered                      |
| -6   | 4659 980    | 1   |      |        |      | ER0    |       |      | SNAP RING, Underdrive Clutch, Flat                         |
| 7  | 4567 262    | 1   |      |        |      | ER0    |       |      | THRUST BEARING, Input Clutch                               |
| 8  | 4864 936AC  | 1   |      |        |      | ER0    |       |      | HUB AND SHAFT PACKAGE, Underdrive Clutch                   |
| 9  | 5018 923AA  | 1   |      |        |      | ER0    |       |      | PLATE AND WASHER PACKAGE, Thrust                           |
| 10   | 4505 621    | 1   |      |        |      | ER0    |       |      | SNAP RING, Peverse & Overdrive Clutch Pressure Plate, Wave |
| 11   | 4531 678    | 4   |      |        |      | ER0    |       |      | DISC, Clutch   |
| 12   | 4659 053    | 3   |      |        |      | ER0    |       |      | PLATE, Transmission O/Drive Clutch                         |
| -13  | 5017 518AB  | 1   |      |        |      | ER0    |       |      | HUB PACKAGE, Input Clutch                                  |
| 14   | 4505 622    | 1   |      |        |      | ER0    |       |      | SNAP RING  |
| 15   | 4531 678    | 4   |      |        |      | ER0    |       |      | DISC, Clutch   |
| 16   | 4659 053    | 3   |      |        |      | ER0    |       |      | PLATE, Transmission O/Drive Clutch                         |
| 17   | 4377 194    | 1   |      |        |      | ER0    |       |      | PLATE, Transmission Clutch Reaction                        |
| -18  | 4431 665AB  | AR  |      |        |      | ER0    |       |      | PLATE, Transmission O/Drive Clutch                         |
| 19   | 4377 195    | 1   |      |        |      | ER0    |       |      | SNAP RING, [1.53-1.58]MM                                   |
| -20  | 4412 871    | 1   |      |        |      | ER0    |       |      | SNAP RING, Reverse Clutch, 1.77-1.83mm, [1.77-1.83]MM      |
| -21  | 4412 872    | 1   |      |        |      | ER0    |       |      | SNAP RING, Reverse Clutch, 2.02-2.07mm, [2.02-2.07]MM      |
| -22  | 4412 873    | 1   |      |        |      | ER0    |       |      | SNAP RING, Reverse Clutch, 2.27-2.32mm, [2.27-2.32]MM      |
| 23   | 5018 923AA  | 1   |      |        |      | ER0    |       |      | PLATE AND WASHER PACKAGE, Thrust                           |
| 24   | 4659 993    | 1   |      |        |      | ER0    |       |      | HUB AND SHAFT, Overdrive Clutch                            |
| 25   |             |     |      |        |      |        |       |      | PLATE, Transmission O/Drive Clutch                         |

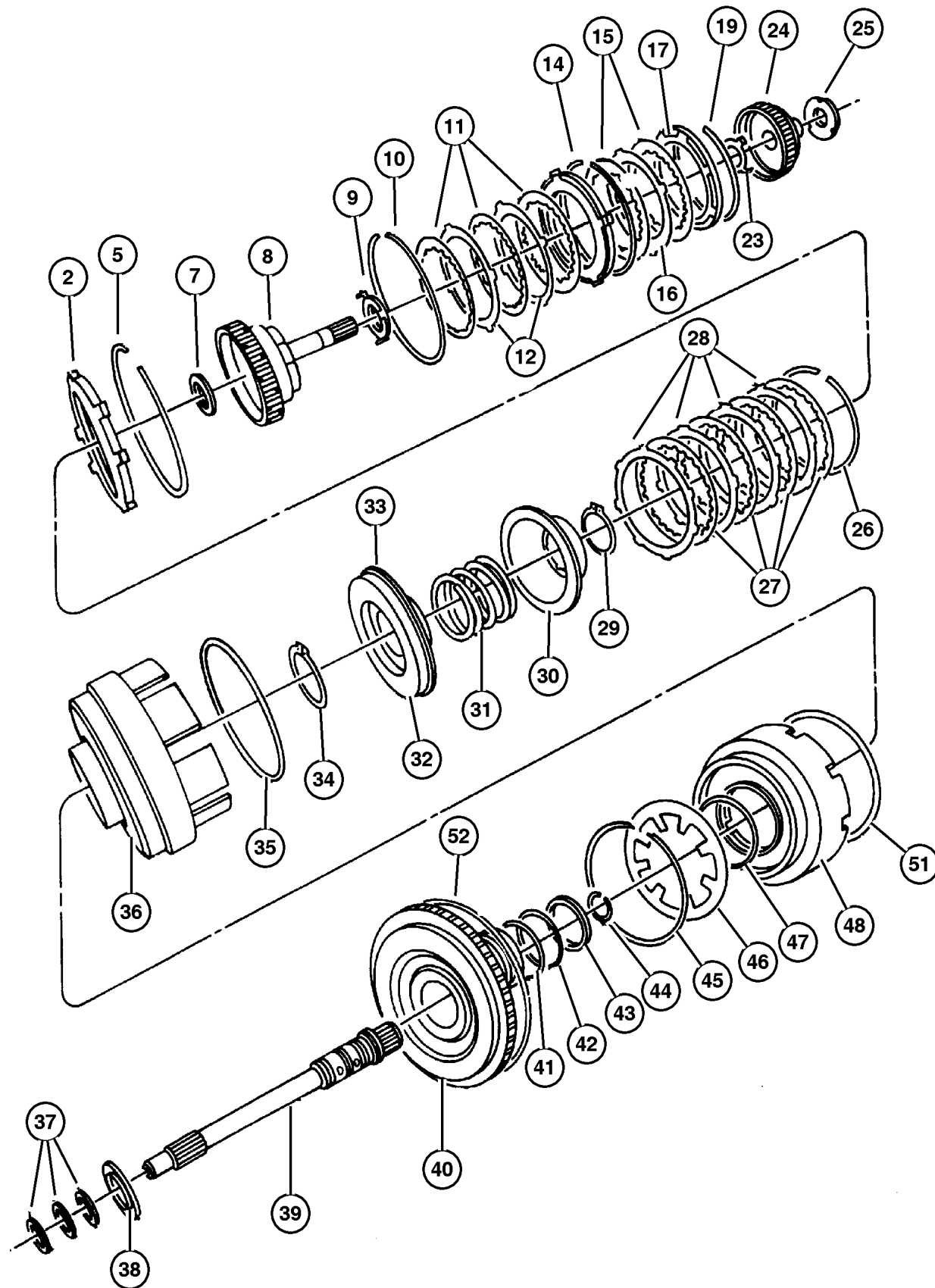
**JEEP WRANGLER (TJ)**

|             |                        |              |                       |                              |
|-------------|------------------------|--------------|-----------------------|------------------------------|
| SERIES      | LINE                   | BODY         | ENGINE                | TRANSMISSION                 |
| H = Sport   | J = Wrangler 4WD       | 77 = 93.4 WB | ED1, ED0 = 2.4L DOHC  | DGG, DGD = 32RH 3 Spd. Auto. |
| L = SE      | U = Wrangler 4WD (RHD) |              | ERH = 4.0L Power Tech | DDD = 5 Speed HD Manual      |
| M = X       |                        |              |                       | DG0 = Auto. Trans.           |
| P = Sahara  |                        |              |                       | DBB = Manual Trans.          |
| S = Rubicon |                        |              |                       | DDK = 5 Speed Manual         |

AR = Use as required - = Non illustrated part # = New this model year

August 27, 2004

Clutch, Input Shaft [DG6]  
Figure 42RLE-410



| ITEM | PART NUMBER | QTY | LINE | SERIES | BODY | ENGINE | TRANS | TRIM | DESCRIPTION  |
|------|-------------|-----|------|--------|------|--------|-------|------|--|
|      | 3836 237AB  | AR  |      |        |      | ER0    |       |      | [1.70-1.77]MM  |
|      | 3836 238AB  | AR  |      |        |      | ER0    |       |      | [1.92-1.99]MM  |
|      | 3836 239AB  | AR  |      |        |      | ER0    |       |      | [2.14-2.21]MM  |
|      | 3836 240AB  | AR  |      |        |      | ER0    |       |      | [2.36-2.43]MM  |
|      | 3836 241AB  | AR  |      |        |      | ER0    |       |      | [2.58-2.65]MM  |
|      | 4431 665AB  | AR  |      |        |      | ER0    |       |      | [1.55-1.66]MM  |
|      | 4431 666AB  | AR  |      |        |      | ER0    |       |      | [1.81-1.88]MM  |
|      | 4431 667AB  | AR  |      |        |      | ER0    |       |      | [2.03-2.10]MM  |
|      | 4431 668AB  | AR  |      |        |      | ER0    |       |      | [2.25-2.32]MM  |
|      | 4431 669AB  | AR  |      |        |      | ER0    |       |      | [2.47-2.54]MM  |
|      | 4446 670AB  | AR  |      |        |      | ER0    |       |      | [2.69-2.76]MM  |
|      | 4446 671AB  | AR  |      |        |      | ER0    |       |      | [2.91-2.98]MM  |
| 26   | 4659 980    | 1   |      |        |      | ER0    |       |      | SNAP RING, Underdrive Clutch, Flat,<br>[1.53-1.58]MM                         |
| 27   | 4531 678    | 4   |      |        |      | ER0    |       |      | DISC, Clutch   |
| 28   | 4659 053    | 4   |      |        |      | ER0    |       |      | PLATE, Transmission O/Drive Clutch   |
| 29   | 6501 715    | 1   |      |        |      | ER0    |       |      | SNAP RING  |
| 30   | 4431 612    | 1   |      |        |      | ER0    |       |      | RETAINER AND SEAL,<br>Transmission U/Drive Spring                            |
| 31   | 4377 177    | 1   |      |        |      | ER0    |       |      | SPRING, Drive Lower Case   |
| 32   | 5103 073AA  | 1   |      |        |      | ER0    |       |      | GASKET PACKAGE, Transmission   |
| 33   | 4431 610    | 1   |      |        |      | ER0    |       |      | PISTON, Underdrive   |
| 34   | 6507 226AA  | 1   |      |        |      | ER0    |       |      | SNAP RING  |
| 35   | 4659 871    | 1   |      |        |      | ER0    |       |      | SEAL, Piston Outer, 140mm OD   |
| 36   | 4659 935    | 1   |      |        |      | ER0    |       |      | RETAINER, Transmission Input<br>Clutch                                       |
| 37   | 4446 543    | 3   |      |        |      | ER0    |       |      | SEAL, Input Shaft  |
| 38   | 4412 209    | 1   |      |        |      | ER0    |       |      | THRUST BEARING   |
| 39   | 4626 452AB  | 1   |      |        |      | ER0    |       |      | INPUT SHAFT PACKAGE, Transaxle   |
| 40   |             |     |      |        |      |        |       |      | HUB, Input Clutch, Serviced in<br>Assembly, (NOT SERVICED) (Not<br>Serviced) |
| 41   | 6502 271    | 1   |      |        |      | ER0    |       |      | O RING, Transmission Clutch  |
| 42   | 6502 269    | 1   |      |        |      | ER0    |       |      | O RING, Transmission Clutch  |
| 43   | 4659 391AB  | 1   |      |        |      | ER0    |       |      | SEAL, Under Drive  |
| 44   | 6501 702    | 1   |      |        |      | ER0    |       |      | SNAP RING  |
| 45   | 4412 203    | 1   |      |        |      | ER0    |       |      | SNAP RING  |
| 46   | 4412 202    | 1   |      |        |      | ER0    |       |      | SPRING, Overdrive Piston   |
| 47   | 6033 158    | 1   |      |        |      | ER0    |       |      | O RING, Reverse & O/Drive Clutch<br>Piston, Transmission                     |
| 48   | 5017 518AB  | 1   |      |        |      | ER0    |       |      | HUB PACKAGE, Input Clutch  |

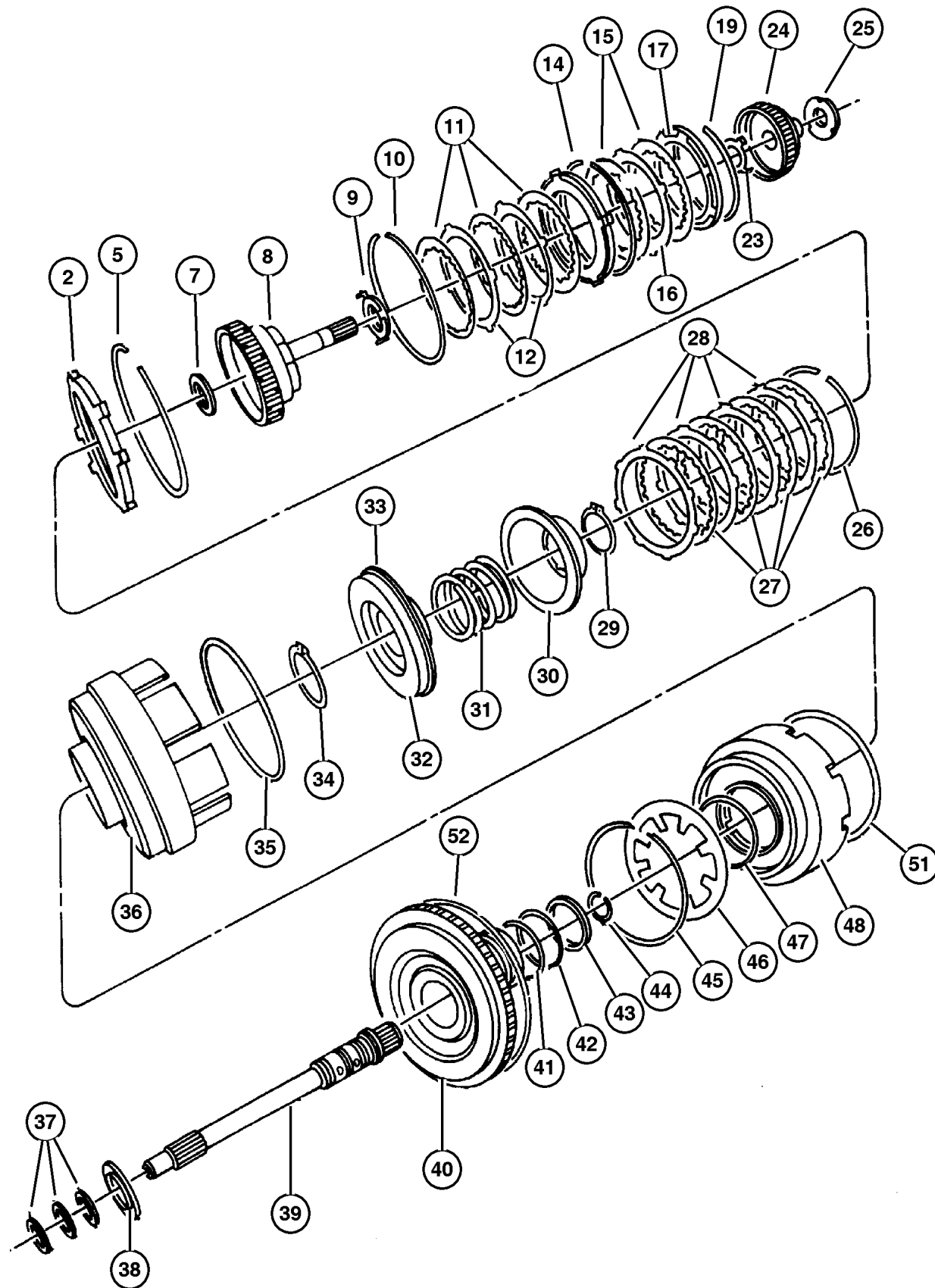
JEEP WRANGLER (TJ)

|             |                        |              |                       |                                 |
|-------------|------------------------|--------------|-----------------------|---------------------------------|
| SERIES      | LINE                   | BODY         | ENGINE                | TRANSMISSION                    |
| H = Sport   | J = Wrangler 4WD       | 77 = 93.4 WB | ED1, ED0 = 2.4L DOHC  | DGG, DGD = 32RH 3 Spd.<br>Auto. |
| L = SE      | U = Wrangler 4WD (RHD) |              | ERH = 4.0L Power Tech | DDD = 5 Speed HD Manual         |
| M = X       |                        |              |                       | DG0 = Auto. Trans.              |
| P = Sahara  |                        |              |                       | DBB = Manual Trans.             |
| S = Rubicon |                        |              |                       | DDK = 5 Speed Manual            |

AR = Use as required - = Non illustrated part # = New this model year

August 27, 2004

Clutch, Input Shaft [DG6]  
Figure 42RLE-410



| ITEM | PART NUMBER | QTY | LINE | SERIES | BODY | ENGINE | TRANS | TRIM | DESCRIPTION  |
|------|-------------|-----|------|--------|------|--------|-------|------|--|
| -49  |             |     |      |        |      |        |       |      | PISTON, Reverse and Overdrive,<br>Serviced in Assembly, (NOT<br>SERVICED) (Not Serviced) |
| -50  | 4531 903    | 1   |      |        |      | ER0    |       |      | FILTER, Reverse And O/D Clutch   |
| 51   | 4659 056    | 1   |      |        |      | ER0    |       |      | SEAL, Reverse Servo Piston   |
| 52   | 4659 056    | 1   |      |        |      | ER0    |       |      | SEAL, Reverse Servo Piston   |

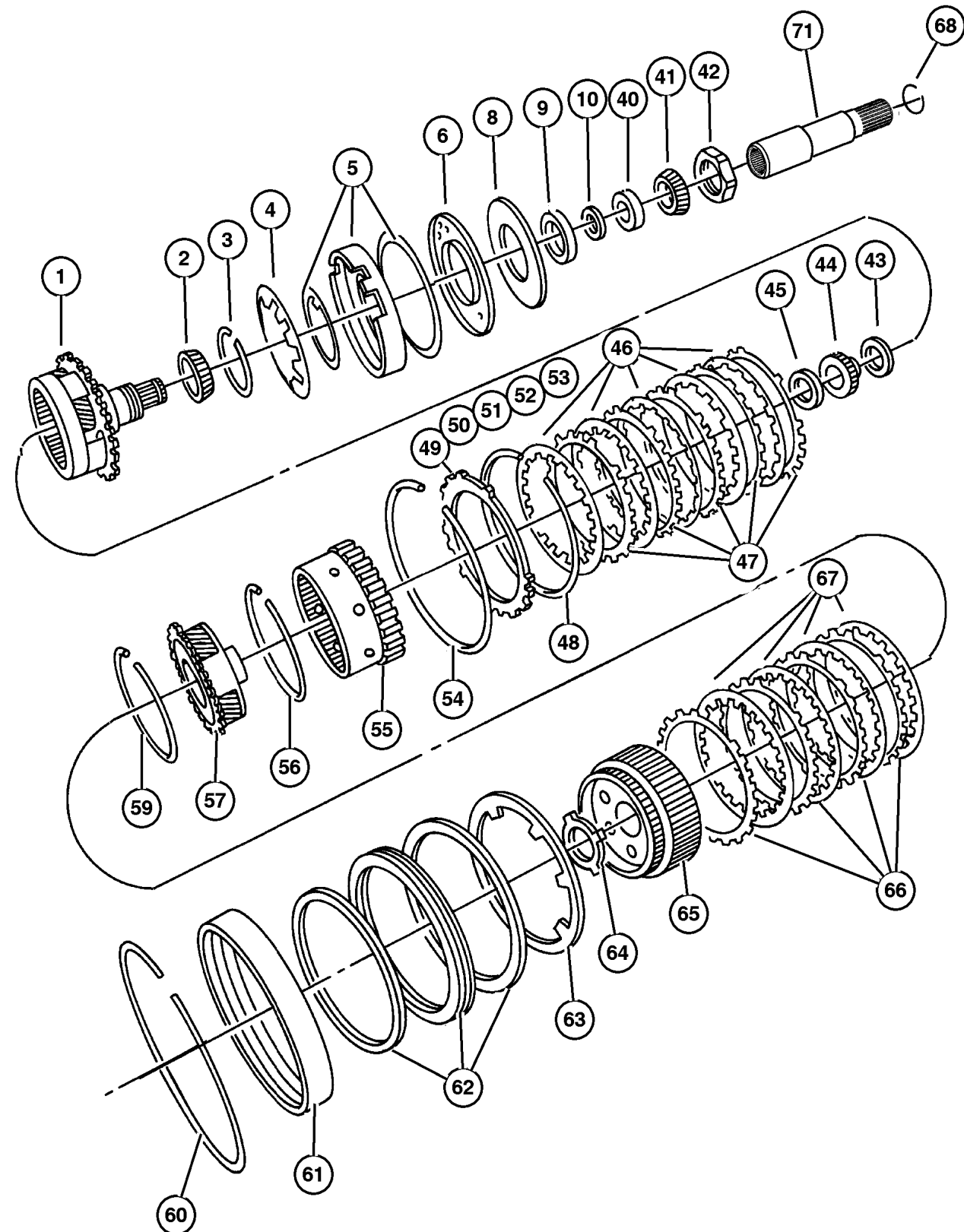
JEEP WRANGLER (TJ)

| SERIES      | LINE                   | BODY         | ENGINE                | TRANSMISSION                    |
|-------------|------------------------|--------------|-----------------------|---------------------------------|
| H = Sport   | J = Wrangler 4WD       | 77 = 93.4 WB | ED1, ED0 = 2.4L DOHC  | DGG, DGD = 32RH 3 Spd.<br>Auto. |
| L = SE      | U = Wrangler 4WD (RHD) |              | ERH = 4.0L Power Tech | DDD = 5 Speed HD Manual         |
| M = X       |                        |              |                       | DG0 = Auto. Trans.              |
| P = Sahara  |                        |              |                       | DBB = Manual Trans.             |
| S = Rubicon |                        |              |                       | DDK = 5 Speed Manual            |

AR = Use as required - = Non illustrated part # = New this model year

August 27, 2004

## Gear Train [DG6] Figure 42RLE-420



| ITEM   | PART NUMBER | QTY | LINE | SERIES | BODY | ENGINE | TRANS | TRIM | DESCRIPTION  |
|--|-------------|-----|------|--------|------|--------|-------|------|--|
| NOTE:  |             |     |      |        |      |        |       |      |  |
| Sales Codes:                                 |             |     |      |        |      |        |       |      |  |
| [DG6]=4 Speed Automatic Transmission - 42RLE |             |     |      |        |      |        |       |      |  |
| [ED0]=All 2.4L 4 Cyl. Engines                |             |     |      |        |      |        |       |      |  |
| [ER0]=All 4.0L Inline 6 Engines              |             |     |      |        |      |        |       |      |  |
| 1  | 5101 874AA  | 1   |      |        |      | ER0    |       |      | CARRIER AND BEARING, Planet Pinion                   |
| 2  | 4412 235    | 1   |      |        |      | ER0    |       |      | BEARING CONE, Output Shaft                           |
| 3  | 6501 853    | 1   |      |        |      | ER0    |       |      | SNAP RING  |
| 4  | 4800 236AA  | 1   |      |        |      | ER0    |       |      | SPRING, Low/Reverse Clutch Piston                    |
| 5  | 4800 261AA  | 1   |      |        |      | ER0    |       |      | PISTON, Low and Reverse Clutch                       |
| 6  | 4800 255AA  | 1   |      |        |      | ER0    |       |      | RETAINER, Transmission Low and Reverse Clutch Piston |
| -7   | 6501 819    | 3   |      |        |      | ER0    |       |      | SCREW AND WASHER, Pan Head, M5x0.8x11.00             |
| 8  | 4800 253AA  | 1   |      |        |      | ER0    |       |      | GASKET, Clutch Retainer                              |
| 9  | 4412 234    | 1   |      |        |      | ER0    |       |      | BEARING CUP, Output Shaft                            |
| 10   | 5280 020    | AR  |      |        |      | ER0    |       |      | SHIM, Carrier Bearing, 5.17 - 5.19mm                 |
| -11  | 5280 021    | AR  |      |        |      | ER0    |       |      | SHIM, Carrier Bearing, 5.20 - 5.22mm                 |
| -12  | 5280 022    | AR  |      |        |      | ER0    |       |      | SHIM, Carrier Bearing, 5.23 - 5.25mm                 |
| -13  | 5280 023    | AR  |      |        |      | ER0    |       |      | SHIM, Carrier Bearing, 5.26 - 5.28mm                 |
| -14  | 5280 024    | AR  |      |        |      | ER0    |       |      | SHIM, Carrier Bearing, 5.29 - 5.31mm                 |
| -15  | 5280 025    | AR  |      |        |      | ER0    |       |      | SHIM, Carrier Bearing, 5.32 - 5.34mm                 |
| -16  | 5280 026    | AR  |      |        |      | ER0    |       |      | SHIM, Carrier Bearing, 5.35 - 5.37mm                 |
| -17  | 5280 027    | AR  |      |        |      | ER0    |       |      | SHIM, Carrier Bearing, 5.38 - 5.40mm                 |
| -18  | 5280 028    | AR  |      |        |      | ER0    |       |      | SHIM, Carrier Bearing, 5.41 - 5.43mm                 |
| -19  | 5280 029    | AR  |      |        |      | ER0    |       |      | SHIM, Carrier Bearing, 5.44 - 5.46mm                 |
| -20  | 5280 030    | AR  |      |        |      | ER0    |       |      | SHIM, Carrier Bearing, 5.47 - 5.49mm                 |
| -21  | 5280 031    | AR  |      |        |      | ER0    |       |      | SHIM, Carrier Bearing, 5.50 - 5.52mm                 |

### JEEP WRANGLER (TJ)

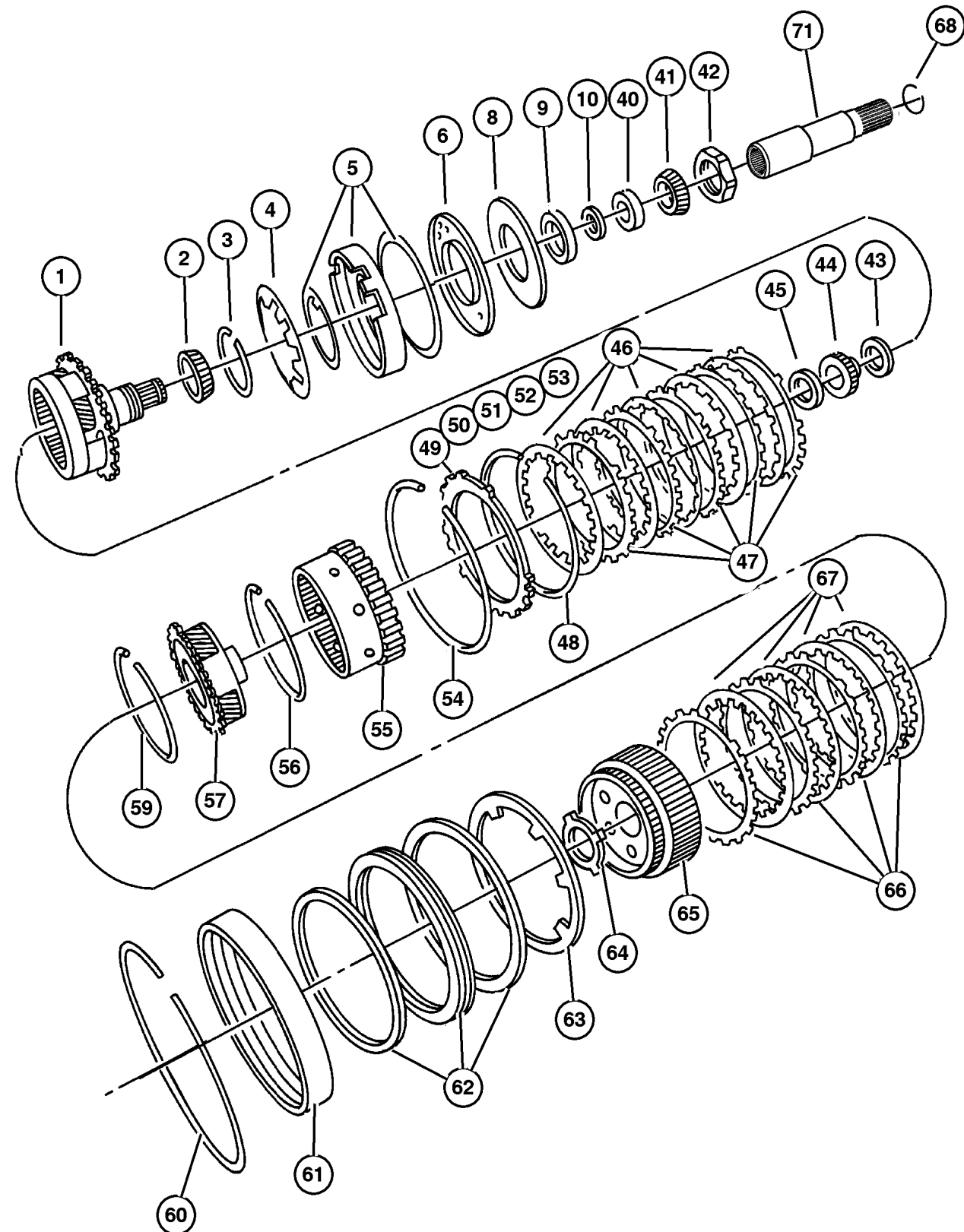
| SERIES      | LINE                   | BODY         | ENGINE                | TRANSMISSION                 |
|-------------|------------------------|--------------|-----------------------|------------------------------|
| H = Sport   | J = Wrangler 4WD       | 77 = 93.4 WB | ED1, ED0 = 2.4L DOHC  | DGG, DGD = 32RH 3 Spd. Auto. |
| L = SE      | U = Wrangler 4WD (RHD) |              | ERH = 4.0L Power Tech | DDD = 5 Speed HD Manual      |
| M = X       |                        |              |                       | DG0 = Auto. Trans.           |
| P = Sahara  |                        |              |                       | DBB = Manual Trans.          |
| S = Rubicon |                        |              |                       | DDK = 5 Speed Manual         |

AR = Use as required - = Non illustrated part # = New this model year

August 27, 2004



**Gear Train [DG6]  
Figure 42RLE-420**



| ITEM | PART NUMBER | QTY | LINE | SERIES | BODY | ENGINE | TRANS | TRIM | DESCRIPTION                          |
|------|-------------|-----|------|--------|------|--------|-------|------|--------------------------------------|
| -22  | 5280 032    | AR  |      |        |      | ERO    |       |      | SHIM, Carrier Bearing, 5.53 - 5.55mm |
| -23  | 5280 033    | AR  |      |        |      | ERO    |       |      | SHIM, Carrier Bearing, 5.56 - 5.58mm |
| -24  | 5280 034    | AR  |      |        |      | ERO    |       |      | SHIM, Carrier Bearing, 5.59 - 5.61mm |
| -25  | 5280 035    | AR  |      |        |      | ERO    |       |      | SHIM, Carrier Bearing, 5.62 - 5.64mm |
| -26  | 5280 036    | AR  |      |        |      | ERO    |       |      | SHIM, Carrier Bearing, 5.65 - 5.67mm |
| -27  | 5280 037    | AR  |      |        |      | ERO    |       |      | SHIM, Carrier Bearing, 5.68 - 5.70mm |
| -28  | 5280 038    | AR  |      |        |      | ERO    |       |      | SHIM, Carrier Bearing, 5.71 - 5.73mm |
| -29  | 5280 039    | AR  |      |        |      | ERO    |       |      | SHIM, Carrier Bearing, 5.74 - 5.76mm |
| -30  | 5280 040    | AR  |      |        |      | ERO    |       |      | SHIM, Carrier Bearing, 5.77 - 5.79mm |
| -31  | 5280 041    | AR  |      |        |      | ERO    |       |      | SHIM, Carrier Bearing, 5.80 - 5.82mm |
| -32  | 5280 042    | AR  |      |        |      | ERO    |       |      | SHIM, Carrier Bearing, 5.83 - 5.85mm |
| -33  | 5280 043    | AR  |      |        |      | ERO    |       |      | SHIM, Carrier Bearing, 5.86 - 5.88mm |
| -34  | 5280 044    | AR  |      |        |      | ERO    |       |      | SHIM, Carrier Bearing, 5.89 - 5.91mm |
| -35  | 5280 045    | AR  |      |        |      | ERO    |       |      | SHIM, Carrier Bearing, 5.92 - 5.94mm |
| -36  | 5280 046    | AR  |      |        |      | ERO    |       |      | SHIM, Carrier Bearing, 5.95 - 5.97mm |
| -37  | 5280 047    | AR  |      |        |      | ERO    |       |      | SHIM, Carrier Bearing, 5.98 - 6.00mm |
| -38  | 5280 048    | AR  |      |        |      | ERO    |       |      | SHIM, Carrier Bearing, 6.01 - 6.03mm |
| -39  | 5280 049    | AR  |      |        |      | ERO    |       |      | SHIM, Carrier Bearing, 6.04 - 6.06mm |
| 40   | 4567 022    | 1   |      |        |      | ERO    |       |      | BEARING CUP, Differential            |
| 41   | 4567 025AB  | 1   |      |        |      | ERO    |       |      | BEARING                              |
| 42   | 6502 476    | 1   |      |        |      | ERO    |       |      | NUT, Rear Carrier, M36 x 1.50        |
| 43   | 4412 209    | 1   |      |        |      | ERO    |       |      | THRUST BEARING                       |
| 44   | 4377 080    | 1   |      |        |      | ERO    |       |      | GEAR, Sun                            |

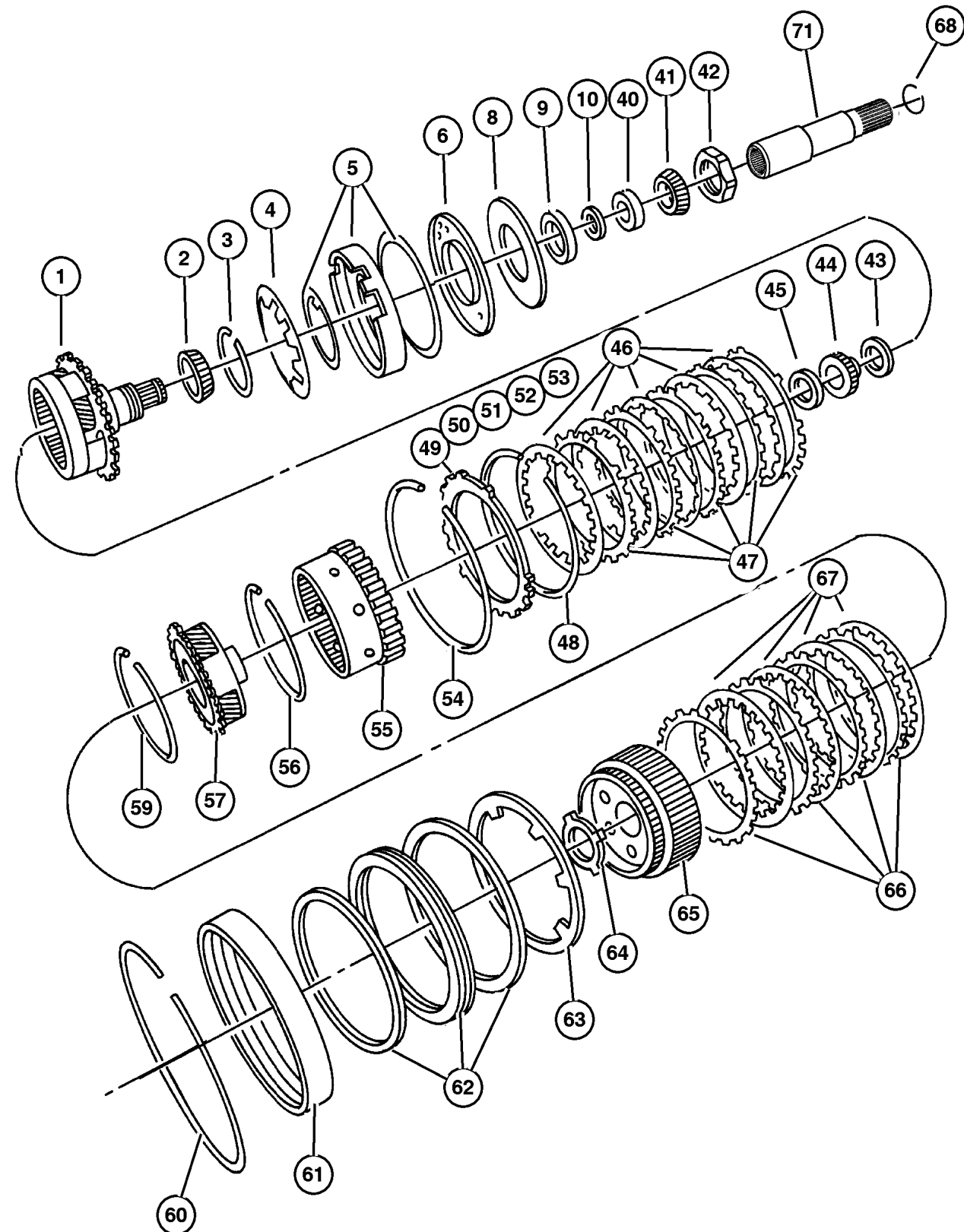
**JEEP WRANGLER (TJ)**

| SERIES      | LINE                   | BODY         | ENGINE                | TRANSMISSION                 |
|-------------|------------------------|--------------|-----------------------|------------------------------|
| H = Sport   | J = Wrangler 4WD       | 77 = 93.4 WB | ED1, ED0 = 2.4L DOHC  | DGG, DGD = 32RH 3 Spd. Auto. |
| L = SE      | U = Wrangler 4WD (RHD) |              | ERH = 4.0L Power Tech | DDD = 5 Speed HD Manual      |
| M = X       |                        |              |                       | DG0 = Auto. Trans.           |
| P = Sahara  |                        |              |                       | DBB = Manual Trans.          |
| S = Rubicon |                        |              |                       | DDK = 5 Speed Manual         |

AR = Use as required - = Non illustrated part # = New this model year

August 27, 2004

**Gear Train [DG6]  
Figure 42RLE-420**



| ITEM | PART NUMBER | QTY | LINE | SERIES | BODY | ENGINE | TRANS | TRIM | DESCRIPTION                                    |
|------|-------------|-----|------|--------|------|--------|-------|------|--|
| 45   | 4412 229AB  | 1   |      |        |      | ERO    |       |      | THRUST BEARING, Rear Sun Gear, Front           |
| 46   | 4567 573AB  | 5   |      |        |      | ERO    |       |      | DISC, Clutch                                   |
| 47   | 4659 055    | 5   |      |        |      | ERO    |       |      | PLATE, Transmission Clutch Reaction            |
| 48   | 4377 195    | 1   |      |        |      | ERO    |       |      | SNAP RING                                      |
| 49   | 4897 452AA  | 1   |      |        |      | ERO    |       |      | PLATE PACKAGE, Low/Reverse Clutch, 5.753/6.012 |
| 50   | 4897 453AA  | 1   |      |        |      | ERO    |       |      | PLATE PACKAGE, Low/Reverse Clutch, 6.013/6.272 |
| 51   | 4897 454AA  | 1   |      |        |      | ERO    |       |      | PLATE PACKAGE, Low/Reverse Clutch, 6.273/6.532 |
| 52   | 4897 455AA  | 1   |      |        |      | ERO    |       |      | PLATE PACKAGE, Low/Reverse Clutch, 6.533/6.792 |
| 53   | 4897 456AA  | 1   |      |        |      | ERO    |       |      | PLATE PACKAGE, Low/Reverse Clutch, 6.793/7.052 |
| 54   | 4799 858AA  | 1   |      |        |      | ERO    |       |      | SNAP RING                                      |
| 55   | 4799 794    | 1   |      |        |      | ERO    |       |      | GEAR, Annulus                                  |
| 56   | 6035 238    | 2   |      |        |      | ERO    |       |      | SNAP RING                                      |
| 57   | 4567 539AB  | 1   |      |        |      | ERO    |       |      | CARRIER, Planetary Pinion                      |
| -58  | 4412 209    | 1   |      |        |      | ERO    |       |      | THRUST BEARING                                 |
| 59   | 6035 238    | 2   |      |        |      | ERO    |       |      | SNAP RING                                      |
| 60   | 4505 591    | 1   |      |        |      | ERO    |       |      | SNAP RING                                      |
| 61   | 5102 880AA  | 1   |      |        |      | ERO    |       |      | RETAINER PACKAGE, 2nd & 4th Clutch Piston      |
| 62   | 5102 880AA  | 1   |      |        |      | ERO    |       |      | RETAINER PACKAGE, 2nd & 4th Clutch Piston      |
| 63   | 4412 248    | 1   |      |        |      | ERO    |       |      | SPRING, 2nd And 4th Clutch Piston              |
| 64   | 4412 216AB  | 1   |      |        |      | ERO    |       |      | THRUST WASHER, Second and Fourth Clutch        |
| 65   | 4659 618AB  | 1   |      |        |      | ERO    |       |      | HUB AND GEAR, Second And Fourth Clutch         |
| 66   | 4659 054    | 4   |      |        |      | ERO    |       |      | PLATE, Transmission Clutch Reaction            |
| 67   | 4799 860AB  | 4   |      |        |      | ERO    |       |      | DISC, Clutch                                   |
| 68   | 4377 195    | 1   |      |        |      | ERO    |       |      | SNAP RING                                      |
| -69  | 3681 949    | 6   |      |        |      | ERO    |       |      | THRUST WASHER, Planet Pinion                   |
| -70  | 3743 664    | 95  |      |        |      | ERO    |       |      | ROLLER, Front and Rear Pinion                  |
| 71   | 52852 915AA | 1   |      |        |      | ERO    |       |      | SHAFT, Intermediate                            |
| -72  | 52852 916AA | 1   |      |        |      | ERO    |       |      | CLIP   |

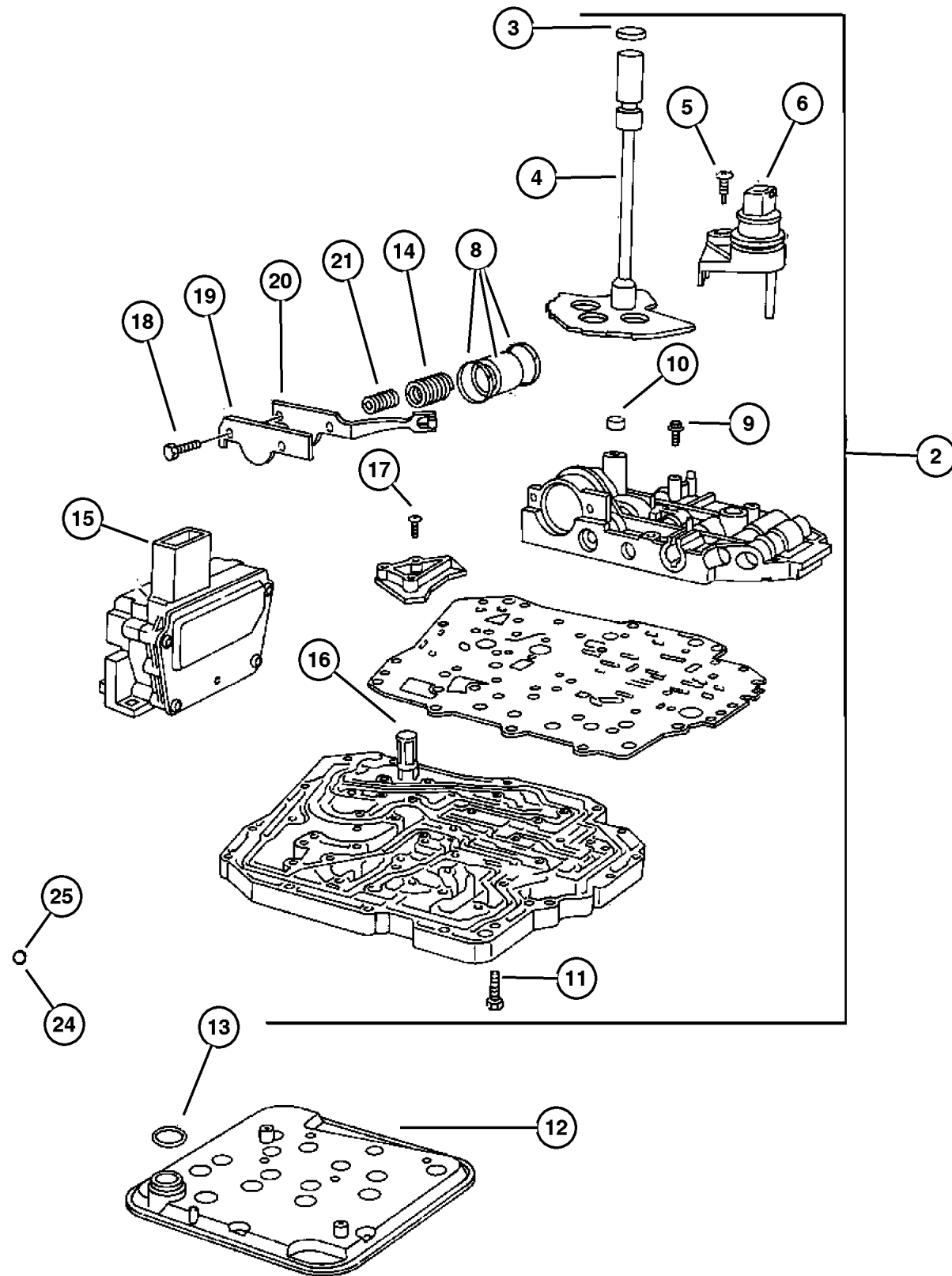
**JEEP WRANGLER (TJ)**

| SERIES      | LINE                   | BODY         | ENGINE                | TRANSMISSION                 |
|-------------|------------------------|--------------|-----------------------|------------------------------|
| H = Sport   | J = Wrangler 4WD       | 77 = 93.4 WB | ED1, ED0 = 2.4L DOHC  | DGG, DGD = 32RH 3 Spd. Auto. |
| L = SE      | U = Wrangler 4WD (RHD) |              | ERH = 4.0L Power Tech | DDD = 5 Speed HD Manual      |
| M = X       |                        |              |                       | DG0 = Auto. Trans.           |
| P = Sahara  |                        |              |                       | DBB = Manual Trans.          |
| S = Rubicon |                        |              |                       | DDK = 5 Speed Manual         |

AR = Use as required - = Non illustrated part # = New this model year

August 27, 2004

Valve Body [DG6] [DG6]  
Figure 42RLE-710



| ITEM   | PART NUMBER | QTY | LINE | SERIES | BODY | ENGINE | TRANS | TRIM | DESCRIPTION   |
|--|-------------|-----|------|--------|------|--------|-------|------|---|
| NOTE:<br>Gasket Package includes all Valve Body Seals and Transmission Filter<br>Sales Codes:<br>[DG6]=4 Speed Automatic Transmission - 42RLE<br>[ER0]=All 4.0L Inline 6 Engines |             |     |      |        |      |        |       |      |   |
| -1   | 5101 917AB  | 1   |      |        |      | ER0    |       |      | GASKET AND SEAL PACKAGE, Valve Body                   |
| 2  | 52854 169AA | 1   |      |        |      | ER0    |       |      | VALVE BODY  |
| 3  | 4412 836    | 1   |      |        |      | ER0    |       |      | SEAL, Manual Valve Lever                              |
| 4  | 4800 280AA  | 1   |      |        |      | ER0    |       |      | LEVER, Manual Valve                                   |
| 5  | 6506 245AA  | 1   |      |        |      | ER0    |       |      | SCREW   |
| 6  | 4659 677AC  | 1   |      |        |      | ER0    |       |      | SENSOR, Manual Valve Lever                            |
| -7   | 4659 678    | 1   |      |        |      | ER0    |       |      | SEAL, Manual Valve Position Sensor                    |
| 8  | 4446 620AC  | 1   |      |        |      | ER0    |       |      | PISTON, 2nd and 4th Accumulator                       |
| 9  | 6500 215    | 28  |      |        |      | ER0    |       |      | SCREW AND WASHER, Pan Head, M5x.8x25                  |
| 10   | 4412 291    | 1   |      |        |      | ER0    |       |      | SEAL, Clutch Feed                                     |
| 11   | 6500 215    | 2   |      |        |      | ER0    |       |      | SCREW AND WASHER, Pan Head, M5x.8x25                  |
| 12   | 52852 913AB | 1   |      |        |      | ER0    |       |      | FILTER, Transmission Oil, Serviced With # 1           |
| 13   | 6032 780    | 1   |      |        |      | ER0    |       |      | O RING, Trans Oil Filter                              |
| 14   | 4471 880    | 1   |      |        |      | ER0    |       |      | SPRING, Accumulator                                   |
| 15   | 4800 171AA  | 1   |      |        |      | ER0    |       |      | SOLENOID, Transmission                                |
| 16   | 3878 313    | 1   |      |        |      | ER0    |       |      | SCREEN, Transmission Regulator Valve                  |
| 17   | 6500 215    | 2   |      |        |      | ER0    |       |      | SCREW AND WASHER, Pan Head, M5x.8x25                  |
| 18   | 6503 232    | 7   |      |        |      | ER0    |       |      | SCREW, Pan Head, M5 x 0.8 x 12.60                     |
| 19   | 4431 711    | 1   |      |        |      | ER0    |       |      | RETAINER, Transmission 2nd and 4th Accumulator Piston |
| 20   | 4431 710    | 1   |      |        |      | ER0    |       |      | DETENT, Valve Body                                    |
| 21   | 4471 880    | 1   |      |        |      | ER0    |       |      | SPRING, Accumulator                                   |
| -22  | 6100 994    | 1   |      |        |      | ER0    |       |      | DOWEL, M6x16  |
| -23  | 4659 081    | 1   |      |        |      | ER0    |       |      | VALVE, Transmission Regulator                         |
| 24   | 5211 8261   | 4   |      |        |      | ER0    |       |      | BALL, Check   |
| 25   | 0104 918    | 1   |      |        |      | ER0    |       |      | BALL, Valve Body Check                                |

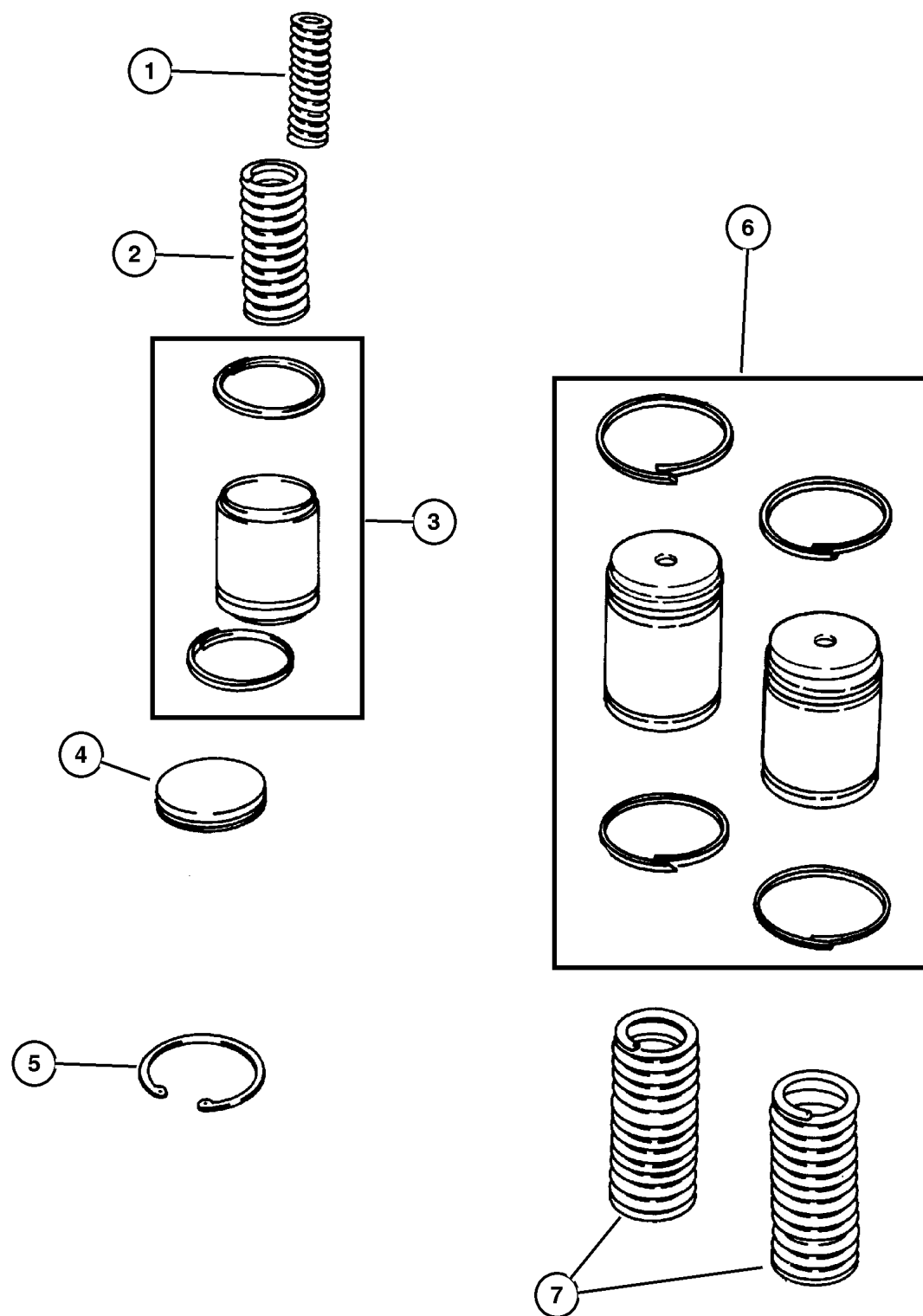
JEEP WRANGLER (TJ)

| SERIES      | LINE                   | BODY         | ENGINE                | TRANSMISSION                 |
|-------------|------------------------|--------------|-----------------------|------------------------------|
| H = Sport   | J = Wrangler 4WD       | 77 = 93.4 WB | ED1, ED0 = 2.4L DOHC  | DGG, DGD = 32RH 3 Spd. Auto. |
| L = SE      | U = Wrangler 4WD (RHD) |              | ERH = 4.0L Power Tech | DDD = 5 Speed HD Manual      |
| M = X       |                        |              |                       | DG0 = Auto. Trans.           |
| P = Sahara  |                        |              |                       | DBB = Manual Trans.          |
| S = Rubicon |                        |              |                       | DDK = 5 Speed Manual         |

AR = Use as required - = Non illustrated part # = New this model year

August 27, 2004

## Accumulator Piston & Spring Figure 42RLE-720



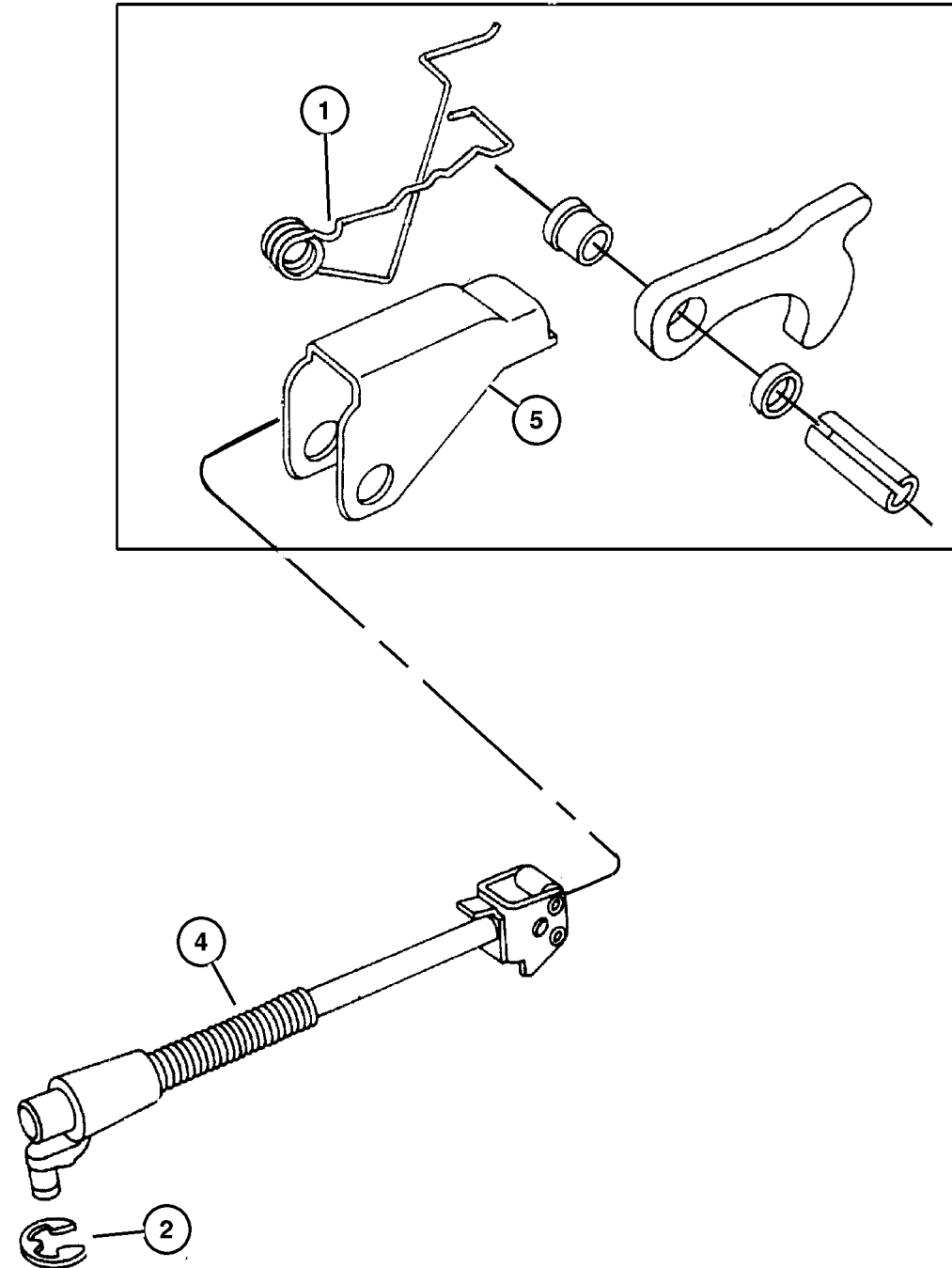
| ITEM         | PART NUMBER | QTY | LINE | SERIES | BODY | ENGINE | TRANS | TRIM | DESCRIPTION                     |
|--------------|-------------|-----|------|--------|------|--------|-------|------|---------------------------------|
| NOTE:        |             |     |      |        |      |        |       |      |                                 |
| Sales Codes: |             |     |      |        |      |        |       |      |                                 |
| 1            | 4567 575    | 1   |      |        |      | ER0    |       |      | SPRING, Accumulator             |
| 2            | 4471 880    | 1   |      |        |      | ER0    |       |      | SPRING, Accumulator             |
| 3            | 4446 620AC  | 1   |      |        |      | ER0    |       |      | PISTON, 2nd and 4th Accumulator |
| 4            | 4431 617AB  | 1   |      |        |      | ER0    |       |      | COVER, Accumulator              |
| 5            | 6501 695    | 1   |      |        |      | ER0    |       |      | SNAP RING                       |
| 6            | 4446 620AC  | 1   |      |        |      | ER0    |       |      | PISTON, 2nd and 4th Accumulator |
| 7            | 4800 310AA  | 1   |      |        |      | ER0    |       |      | SPRING, Accumulator             |

|                           |                        |              |                       |                              |
|---------------------------|------------------------|--------------|-----------------------|------------------------------|
| <b>JEEP WRANGLER (TJ)</b> |                        |              |                       |                              |
| SERIES                    | LINE                   | BODY         | ENGINE                | TRANSMISSION                 |
| H = Sport                 | J = Wrangler 4WD       | 77 = 93.4 WB | ED1, ED0 = 2.4L DOHC  | DGG, DGD = 32RH 3 Spd. Auto. |
| L = SE                    | U = Wrangler 4WD (RHD) |              | ERH = 4.0L Power Tech | DDD = 5 Speed HD Manual      |
| M = X                     |                        |              |                       | DG0 = Auto. Trans.           |
| P = Sahara                |                        |              |                       | DBB = Manual Trans.          |
| S = Rubicon               |                        |              |                       | DDK = 5 Speed Manual         |

AR = Use as required - = Non illustrated part # = New this model year

August 27, 2004

**Parking Sprag [DG6] [DG6]  
Figure 42RLE-730**



| ITEM | PART NUMBER | QTY | LINE | SERIES | BODY | ENGINE | TRANS | TRIM | DESCRIPTION |
|------|-------------|-----|------|--------|------|--------|-------|------|-------------|
|------|-------------|-----|------|--------|------|--------|-------|------|-------------|

NOTE: Sales Codes:

[DG6]=Four Speed Automatic Transmission - 42RLE

[ER0]=All 4.0L Inline Six Engines

|    |             |   |  |  |  |     |  |  |                              |
|----|-------------|---|--|--|--|-----|--|--|------------------------------|
| 1  | 52852 949AA | 1 |  |  |  | ER0 |  |  | SPRING, Parking Sprag Return |
| 2  | 6035 256    | 1 |  |  |  | ER0 |  |  | SNAP RING, Rod               |
| -3 | 4431 999    | 1 |  |  |  | ER0 |  |  | SHAFT, Parking Sprag         |
| 4  | 4800 283AA  | 1 |  |  |  | ER0 |  |  | ROD, Parking Sprag           |
| 5  | 52852 948AA | 1 |  |  |  | ER0 |  |  | BRACKET, Parking Sprag       |

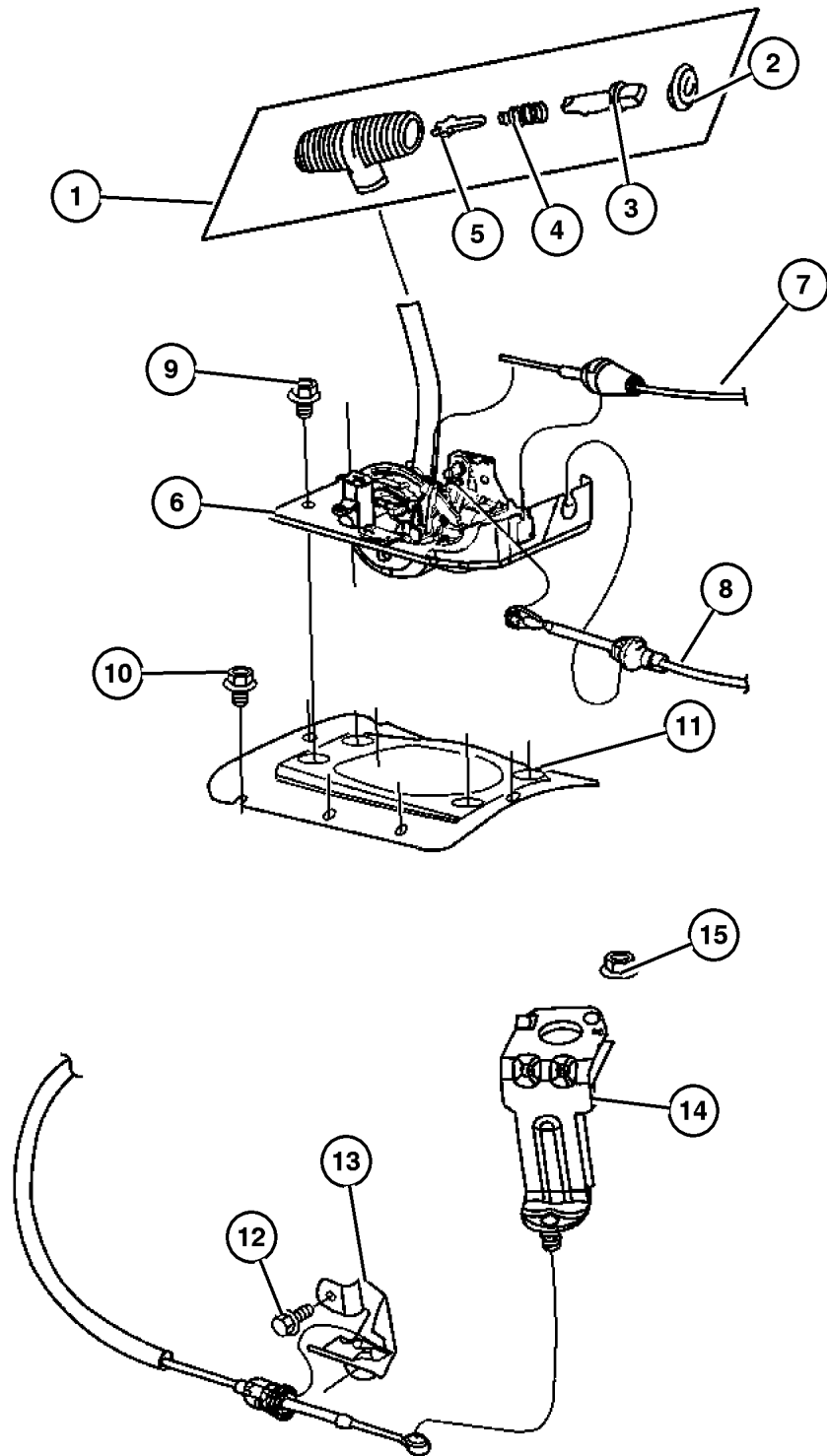
**JEEP WRANGLER (TJ)**

| SERIES      | LINE                   | BODY         | ENGINE                | TRANSMISSION                 |
|-------------|------------------------|--------------|-----------------------|------------------------------|
| H = Sport   | J = Wrangler 4WD       | 77 = 93.4 WB | ED1, ED0 = 2.4L DOHC  | DGG, DGD = 32RH 3 Spd. Auto. |
| L = SE      | U = Wrangler 4WD (RHD) |              | ERH = 4.0L Power Tech | DDD = 5 Speed HD Manual      |
| M = X       |                        |              |                       | DG0 = Auto. Trans.           |
| P = Sahara  |                        |              |                       | DBB = Manual Trans.          |
| S = Rubicon |                        |              |                       | DDK = 5 Speed Manual         |

AR = Use as required - = Non illustrated part # = New this model year

August 27, 2004

**Gearshift Controls [DG6]  
Figure 42RLE-1210**



| ITEM   | PART NUMBER | QTY | LINE | SERIES | BODY | ENGINE | TRANS | TRIM | DESCRIPTION                           |
|--|-------------|-----|------|--------|------|--------|-------|------|---------------------------------------|
| NOTE:  |             |     |      |        |      |        |       |      |                                       |
| Sales Codes:                                 |             |     |      |        |      |        |       |      |                                       |
| [DG6]=4 Speed Automatic Transmission - 42RLE |             |     |      |        |      |        |       |      |                                       |
| [ED0]=All 2.4L Four Cyl. Engines             |             |     |      |        |      |        |       |      |                                       |
| [ER0]=All 4.0L Inline Six Engines            |             |     |      |        |      |        |       |      |                                       |
| 1  | 5210 4028   | 1   |      |        |      |        |       |      | HANDLE, Gearshift                     |
| 2  | 5207 7561   | 1   |      |        |      |        |       |      | CAP, Gearshift Handle Button          |
| 3  | 5300 0211   | 1   |      |        |      |        |       |      | BUTTON, Gearshift Knob                |
| 4  | 5300 0865   | 1   |      |        |      |        |       |      | LEVER, Gearshift                      |
| 5  | 5300 0866   | 1   |      |        |      |        |       |      | SPRING, Button Return                 |
| 6  | 5300 1284   | 1   |      |        |      |        |       | J    | HOUSING, Shift Lever                  |
|  |             | 1   |      |        |      |        |       | U    |                                       |
| 7  | 52104 422AC | 1   |      |        |      |        |       |      | CABLE, Park Interlock                 |
| 8  | 52109 624AC | 1   |      |        |      |        |       |      | CABLE, Shift                          |
| 9  | 6501 648    | 4   |      |        |      |        |       |      | SCREW, Hex Flange Head, M8x1.25x25.00 |
| 10   | 6101 451    | 3   |      |        |      | ED0    |       |      | SCREW AND WASHER, Hex Head, M6x1x25   |
| 11   | 53000 704AE | 1   |      |        |      |        |       |      | COVER, Gearshift                      |
| 12   | 6101 767    | 2   |      |        |      |        |       |      | SCREW AND WASHER, M8x1.25x25          |
| 13   | 52109 623AB | 1   |      |        |      |        |       |      | BRACKET, Shift Cable                  |
| 14   | 52109 622AC | 1   |      |        |      |        |       |      | LEVER, Manual Control                 |
| 15   | 6506 676AA  | 1   |      |        |      |        |       |      | NUT & WASHER, M8x1.25                 |

|                           |                        |              |                       |                              |
|---------------------------|------------------------|--------------|-----------------------|------------------------------|
| <b>JEEP WRANGLER (TJ)</b> |                        |              |                       |                              |
| SERIES                    | LINE                   | BODY         | ENGINE                | TRANSMISSION                 |
| H = Sport                 | J = Wrangler 4WD       | 77 = 93.4 WB | ED1, ED0 = 2.4L DOHC  | DGG, DGD = 32RH 3 Spd. Auto. |
| L = SE                    | U = Wrangler 4WD (RHD) |              | ERH = 4.0L Power Tech | DDD = 5 Speed HD Manual      |
| M = X                     |                        |              |                       | DG0 = Auto. Trans.           |
| P = Sahara                |                        |              |                       | DBB = Manual Trans.          |
| S = Rubicon               |                        |              |                       | DDK = 5 Speed Manual         |

AR = Use as required - = Non illustrated part # = New this model year

August 27, 2004

# Group – NSG370

## Manual Transmission 6 Speed

### GROUP NSG370 - Manual Transmission 6 Speed

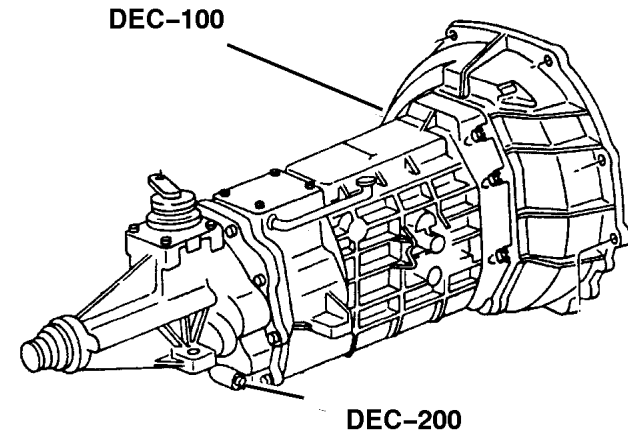


Illustration Title

Group-Fig. No.

#### Transmission

Transmission Assembly [DEH] [DEH] ..... Fig. NSG370-110

#### Case & Extension

Front Case and Related Parts [DEH] ..... Fig. NSG370-210

Rear Case and Related Parts [DEH] [DEH] ..... Fig. NSG370-220

#### Gear Train

Input Shaft [DEH] [DEH] ..... Fig. NSG370-410

Main Shaft [DEH] [DEH] ..... Fig. NSG370-420

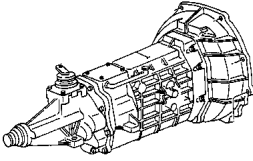
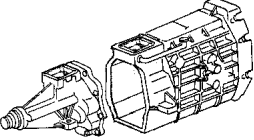
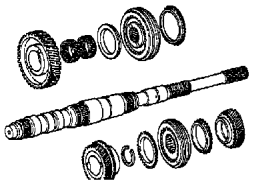
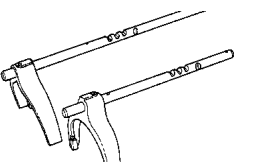
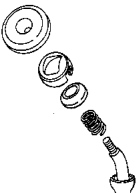
Countershaft [DEH] ..... Fig. NSG370-430

#### Forks and Rails

Fork and Rails [DEH] [DEH] ..... Fig. NSG370-910

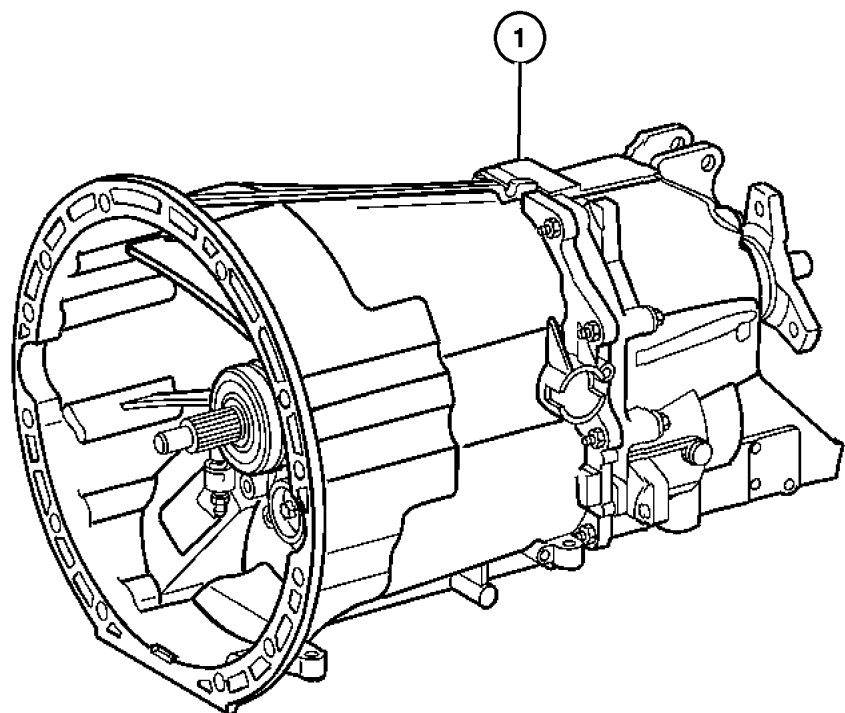
#### Gear Shift Controls

Shift Tower [DEH] [DEH] ..... Fig. NSG370-1210

|   |   |  |  |
|---|---|--|--|
| <p><b>NSG370-100</b><br/>Transmission</p>          | <p><b>NSG370-200</b><br/>Case &amp; Extension</p>  | <p><b>NSG370-400</b><br/>Gear Train</p>  | <p><b>NSG370-900</b><br/>Forks and Rails</p>  |
| <p><b>NSG370-1200</b><br/>Gear Shift Controls</p>  |   |  |  |

**Transmission Assembly [DEH] [DEH]  
Figure NSG370-110**

| ITEM   | PART NUMBER | QTY | LINE | SERIES | BODY | ENGINE | TRANS | TRIM | DESCRIPTION          |
|--|-------------|-----|------|--------|------|--------|-------|------|----------------------|
| NOTE:  |             |     |      |        |      |        |       |      |                      |
| Sales Codes:                                 |             |     |      |        |      |        |       |      |                      |
| [DEH]=6 Speed Manual Transmission - [NSG370] |             |     |      |        |      |        |       |      |                      |
| [ED0]=All 2.4L In-Line 4 Cylinder Engines    |             |     |      |        |      |        |       |      |                      |
| [EK0]=All 3.7L V-6 Engines                   |             |     |      |        |      |        |       |      |                      |
| [EN0]=All 4/5 Cylinder Turbo Diesel Engines  |             |     |      |        |      |        |       |      |                      |
| 1  |             |     |      |        |      |        |       |      | TRANSMISSION, NSG370 |
|  | 52104 646AA | 1   |      |        |      | ER0    |       |      |                      |
|  | 52104 695AA | 1   |      |        |      | ED0    |       |      |                      |



|                           |                        |              |                       |                              |
|---------------------------|------------------------|--------------|-----------------------|------------------------------|
| <b>JEEP WRANGLER (TJ)</b> |                        |              |                       |                              |
| SERIES                    | LINE                   | BODY         | ENGINE                | TRANSMISSION                 |
| H = Sport                 | J = Wrangler 4WD       | 77 = 93.4 WB | ED1, ED0 = 2.4L DOHC  | DGG, DGD = 32RH 3 Spd. Auto. |
| L = SE                    | U = Wrangler 4WD (RHD) |              | ERH = 4.0L Power Tech | DDD = 5 Speed HD Manual      |
| M = X                     |                        |              |                       | DG0 = Auto. Trans.           |
| P = Sahara                |                        |              |                       | DBB = Manual Trans.          |
| S = Rubicon               |                        |              |                       | DDK = 5 Speed Manual         |

AR = Use as required - = Non illustrated part # = New this model year

August 27, 2004



**Front Case and Related Parts [DEH]  
Figure NSG370-210**

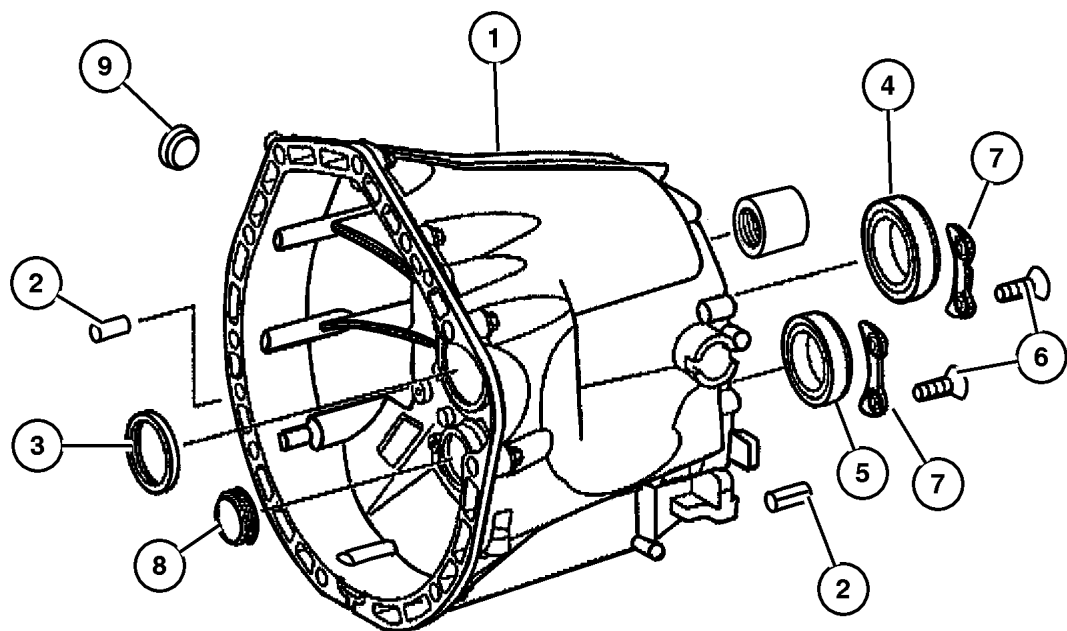
| ITEM | PART NUMBER | QTY | LINE | SERIES | BODY | ENGINE | TRANS | TRIM | DESCRIPTION |
|------|-------------|-----|------|--------|------|--------|-------|------|-------------|
|------|-------------|-----|------|--------|------|--------|-------|------|-------------|

NOTE:

Sales Codes:

[DEH]=6 Speed Manual Transmission - [NSG370]

|   |            |   |  |  |  |     |  |  |                       |
|---|------------|---|--|--|--|-----|--|--|-----------------------|
| 1 |            |   |  |  |  |     |  |  | HOUSING, Transmission |
|   | 5159 140AA | 1 |  |  |  | ED0 |  |  |                       |
|   | 5159 143AA | 1 |  |  |  | ER0 |  |  |                       |
| 2 |            |   |  |  |  |     |  |  | PIN, Dowel            |
|   | 5097 594AA | 2 |  |  |  | ER0 |  |  |                       |
|   |            | 2 |  |  |  | ED0 |  |  |                       |
| 3 |            |   |  |  |  |     |  |  | SEAL                  |
|   | 5099 840AA | 1 |  |  |  | ER0 |  |  |                       |
|   |            | 1 |  |  |  | ED0 |  |  |                       |
| 4 |            |   |  |  |  |     |  |  | BEARING               |
|   | 5098 879AA | 1 |  |  |  | ER0 |  |  |                       |
|   |            | 1 |  |  |  | ED0 |  |  |                       |
| 5 |            |   |  |  |  |     |  |  | BEARING, Countershaft |
|   | 5098 878AA | 1 |  |  |  | ER0 |  |  |                       |
|   |            | 1 |  |  |  | ED0 |  |  |                       |
| 6 |            |   |  |  |  |     |  |  | SCREW                 |
|   | 5096 957AA | 1 |  |  |  | ER0 |  |  |                       |
|   |            | 1 |  |  |  | ED0 |  |  |                       |
| 7 |            |   |  |  |  |     |  |  | RETAINER, Bearing     |
|   | 5099 213AA | 6 |  |  |  | ER0 |  |  |                       |
|   |            | 6 |  |  |  | ED0 |  |  |                       |
| 8 |            |   |  |  |  |     |  |  | PLUG, Expansion       |
|   | 5096 861AA | 1 |  |  |  | ER0 |  |  |                       |
|   |            | 1 |  |  |  | ED0 |  |  |                       |
| 9 |            |   |  |  |  |     |  |  | PLUG, Oil Drain       |
|   | 5097 712AB | 1 |  |  |  | ER0 |  |  |                       |
|   |            | 1 |  |  |  | ED0 |  |  |                       |



JEEP WRANGLER (TJ)

|             |                        |              |                       |                              |
|-------------|------------------------|--------------|-----------------------|------------------------------|
| SERIES      | LINE                   | BODY         | ENGINE                | TRANSMISSION                 |
| H = Sport   | J = Wrangler 4WD       | 77 = 93.4 WB | ED1, ED0 = 2.4L DOHC  | DGG, DGD = 32RH 3 Spd. Auto. |
| L = SE      | U = Wrangler 4WD (RHD) |              | ERH = 4.0L Power Tech | DDD = 5 Speed HD Manual      |
| M = X       |                        |              |                       | DG0 = Auto. Trans.           |
| P = Sahara  |                        |              |                       | DBB = Manual Trans.          |
| S = Rubicon |                        |              |                       | DDK = 5 Speed Manual         |

AR = Use as required - = Non illustrated part # = New this model year

August 27, 2004

**Rear Case and Related Parts [DEH] [DEH]  
Figure NSG370-220**

| ITEM | PART NUMBER | QTY | LINE | SERIES | BODY | ENGINE | TRANS | TRIM | DESCRIPTION |
|------|-------------|-----|------|--------|------|--------|-------|------|-------------|
|------|-------------|-----|------|--------|------|--------|-------|------|-------------|

NOTE:

Sales Codes:

[DEH]=6 Speed Manual Transmission - [NSG370]

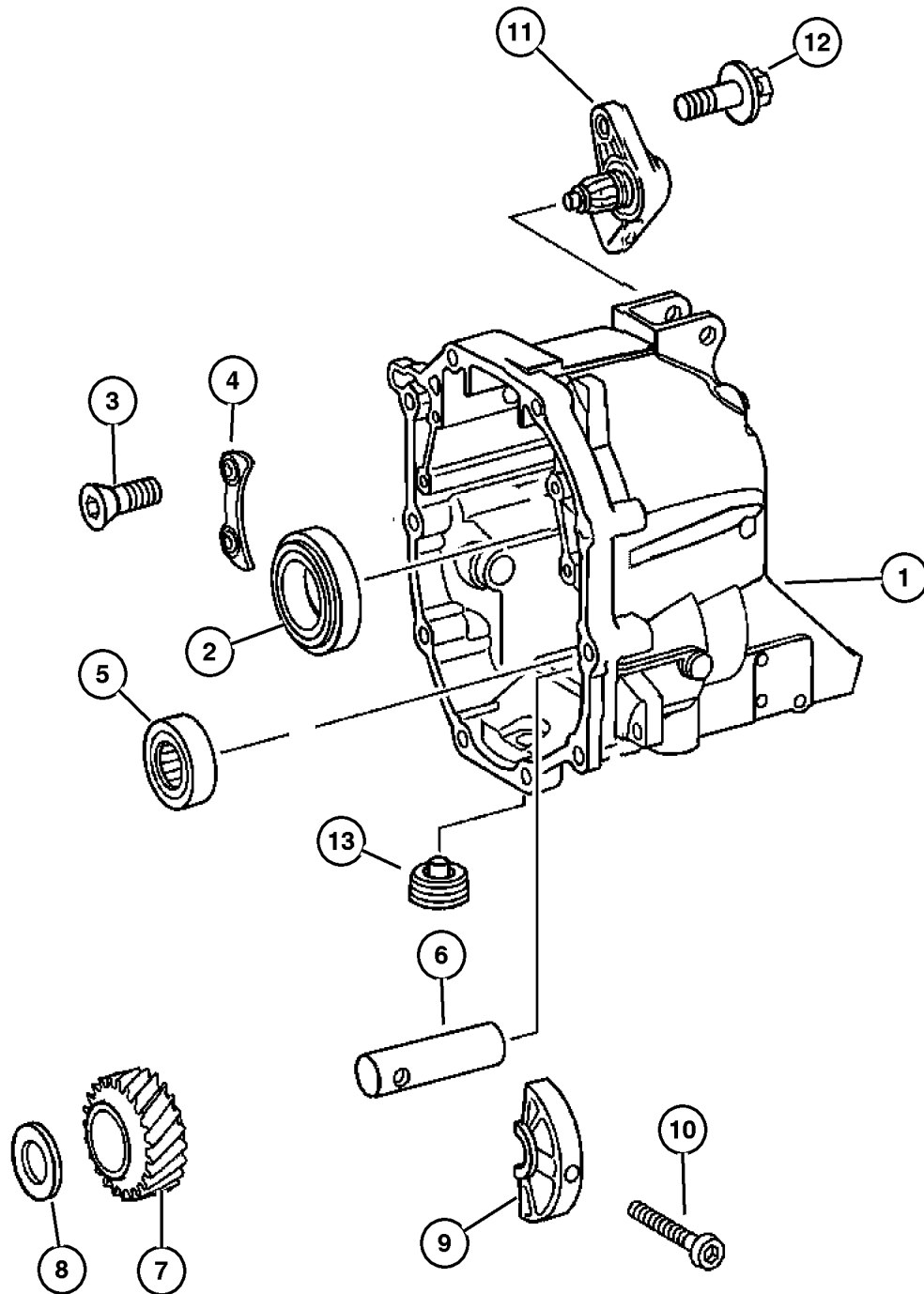
|    |            |    |  |  |  |     |  |  |                       |
|----|------------|----|--|--|--|-----|--|--|-----------------------|
| 1  | 5159 140AA | 1  |  |  |  | ER0 |  |  | HOUSING, Transmission |
|    |            | 1  |  |  |  | ED0 |  |  |                       |
| 2  | 4567 025AB | 1  |  |  |  | ED0 |  |  | BEARING               |
|    | 5096 453AA | 1  |  |  |  | ER0 |  |  |                       |
| 3  | 5097 657AA | 12 |  |  |  | ER0 |  |  | SCREW                 |
|    |            | 12 |  |  |  | ED0 |  |  |                       |
| 4  | 5099 213AA | 6  |  |  |  | ER0 |  |  | RETAINER, Bearing     |
|    |            | 6  |  |  |  | ED0 |  |  |                       |
| 5  | 5097 739AA | 1  |  |  |  | ER0 |  |  | BEARING               |
|    |            | 1  |  |  |  | ED0 |  |  |                       |
| 6  | 5096 914AA | 1  |  |  |  | ER0 |  |  | SHAFT                 |
|    |            | 1  |  |  |  | ED0 |  |  |                       |
| 7  | 5096 910AA | 1  |  |  |  | ER0 |  |  | GEAR, Reverse         |
|    |            | 1  |  |  |  | ED0 |  |  |                       |
| 8  | 5159 168AA | 1  |  |  |  | ER0 |  |  | WASHER, Thrust        |
|    |            | 1  |  |  |  | ED0 |  |  |                       |
| 9  | 5101 037AA | 1  |  |  |  | ER0 |  |  | BEARING               |
|    |            | 1  |  |  |  | ED0 |  |  |                       |
| 10 | 5096 957AA | 1  |  |  |  | ER0 |  |  | SCREW                 |
|    |            | 1  |  |  |  | ED0 |  |  |                       |
| 11 | 5099 770AA | 1  |  |  |  | ER0 |  |  | SWITCH, Back Up Lamp  |
|    |            | 1  |  |  |  | ED0 |  |  |                       |
| 12 | 6104 006AA | 1  |  |  |  | ER0 |  |  | BOLT                  |
|    |            | 1  |  |  |  | ED0 |  |  |                       |
| 13 | 5134 266AA | 1  |  |  |  | ER0 |  |  | PLUG, Oil Drain       |

JEEP WRANGLER (TJ)

| SERIES      | LINE                   | BODY         | ENGINE                | TRANSMISSION                 |
|-------------|------------------------|--------------|-----------------------|------------------------------|
| H = Sport   | J = Wrangler 4WD       | 77 = 93.4 WB | ED1, ED0 = 2.4L DOHC  | DGG, DGD = 32RH 3 Spd. Auto. |
| L = SE      | U = Wrangler 4WD (RHD) |              | ERH = 4.0L Power Tech | DDD = 5 Speed HD Manual      |
| M = X       |                        |              |                       | DG0 = Auto. Trans.           |
| P = Sahara  |                        |              |                       | DBB = Manual Trans.          |
| S = Rubicon |                        |              |                       | DDK = 5 Speed Manual         |

AR = Use as required - = Non illustrated part # = New this model year

August 27, 2004





**Input Shaft [DEH] [DEH]  
Figure NSG370-410**

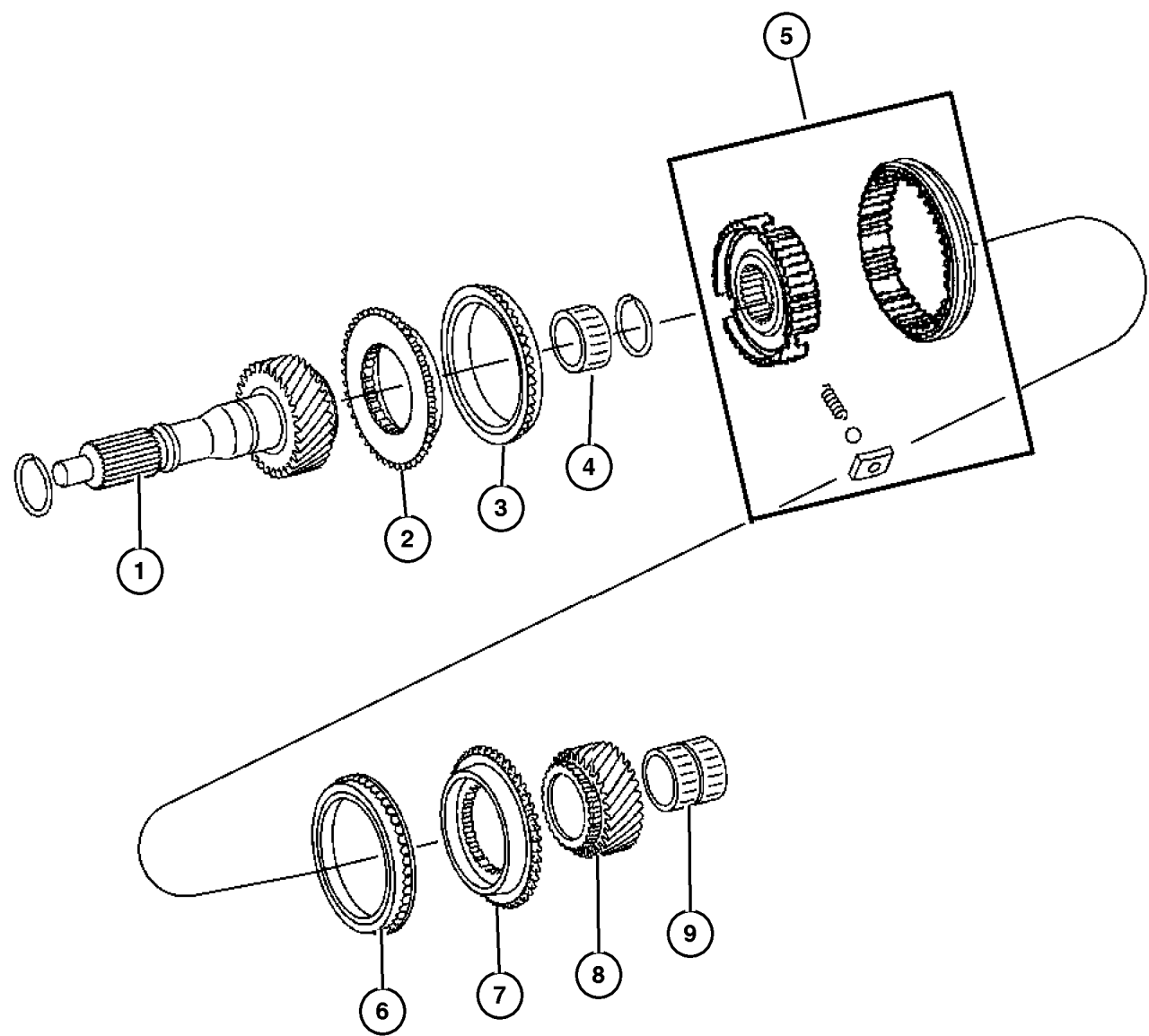
| ITEM | PART NUMBER | QTY | LINE | SERIES | BODY | ENGINE | TRANS | TRIM | DESCRIPTION |
|------|-------------|-----|------|--------|------|--------|-------|------|-------------|
|------|-------------|-----|------|--------|------|--------|-------|------|-------------|

**NOTE:**

Sales Codes:

[DEH]=6 Speed Manual Transmission - [NSG370]

|   |            |   |  |  |  |     |  |  |                               |
|---|------------|---|--|--|--|-----|--|--|-------------------------------|
| 1 | 5159 171AA | 1 |  |  |  | ER0 |  |  | SHAFT, Input                  |
|   |            | 1 |  |  |  | ED0 |  |  |                               |
| 2 | 5099 265AA | 2 |  |  |  | ER0 |  |  | STOP RING, Synchronizer       |
|   |            | 2 |  |  |  | ED0 |  |  |                               |
| 3 | 5098 736AA | 2 |  |  |  | ER0 |  |  | RING, RING-SYNCHRONIZER       |
|   |            | 2 |  |  |  | ED0 |  |  |                               |
| 4 | 5096 457AA | 1 |  |  |  | ER0 |  |  | BEARING, Needle               |
|   |            | 1 |  |  |  | ED0 |  |  |                               |
| 5 | 5161 006AA | 1 |  |  |  | ER0 |  |  | SYNCHRONIZER, Fifth and Sixth |
|   |            | 1 |  |  |  | ED0 |  |  |                               |
| 6 | 5098 736AA | 2 |  |  |  | ER0 |  |  | RING, RING-SYNCHRONIZER       |
|   |            | 2 |  |  |  | ED0 |  |  |                               |
| 7 | 5099 265AA | 2 |  |  |  | ER0 |  |  | STOP RING, Synchronizer       |
|   |            | 2 |  |  |  | ED0 |  |  |                               |
| 8 | 5099 794AA | 1 |  |  |  | ER0 |  |  | GEAR, Sixth                   |
|   |            | 1 |  |  |  | ED0 |  |  |                               |
| 9 | 5096 359AA | 1 |  |  |  | ER0 |  |  | BEARING, Needle               |
|   |            | 1 |  |  |  | ED0 |  |  |                               |



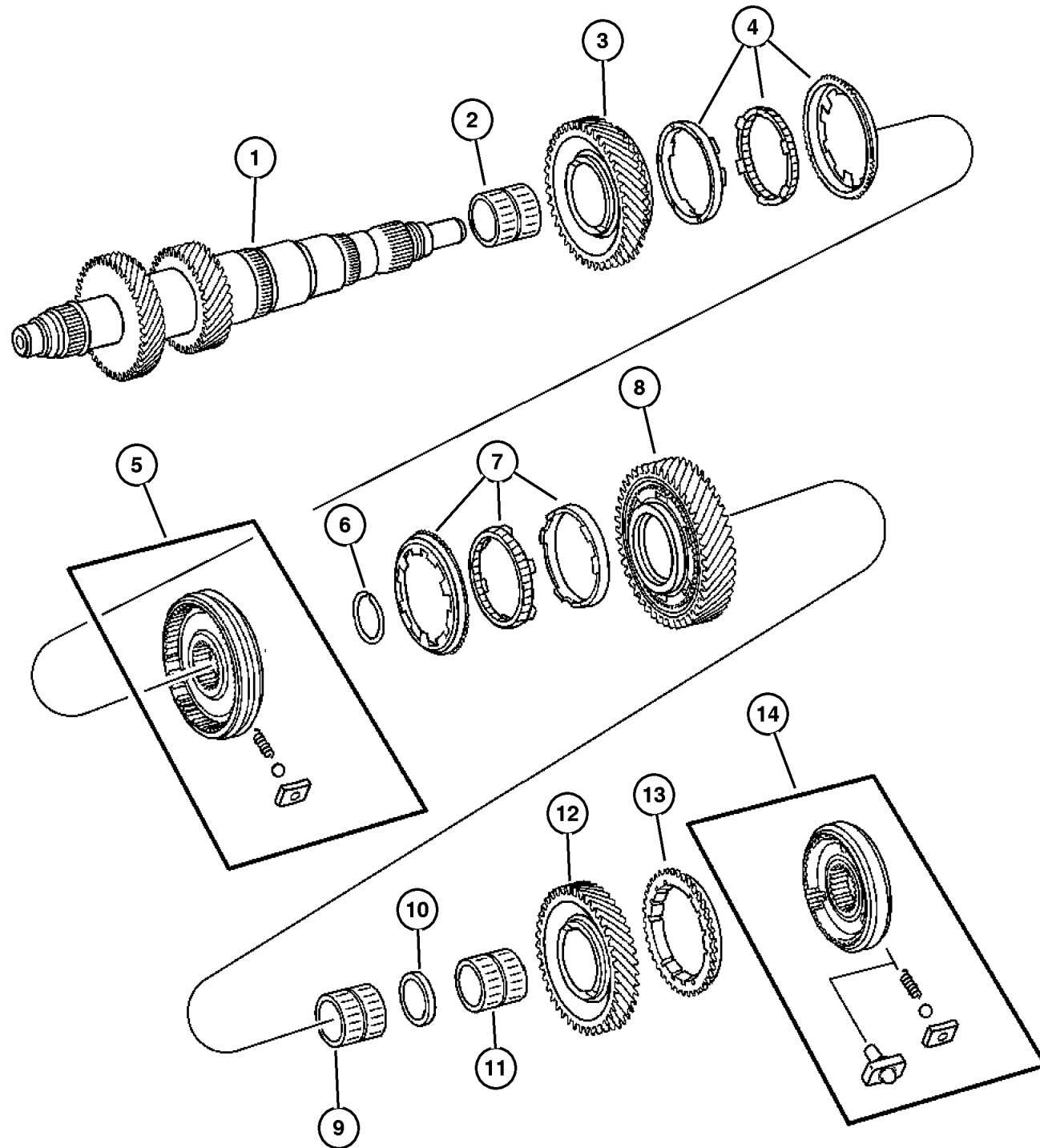
**JEEP WRANGLER (TJ)**

|             |                        |              |                       |                              |
|-------------|------------------------|--------------|-----------------------|------------------------------|
| SERIES      | LINE                   | BODY         | ENGINE                | TRANSMISSION                 |
| H = Sport   | J = Wrangler 4WD       | 77 = 93.4 WB | ED1, ED0 = 2.4L DOHC  | DGG, DGD = 32RH 3 Spd. Auto. |
| L = SE      | U = Wrangler 4WD (RHD) |              | ERH = 4.0L Power Tech | DDD = 5 Speed HD Manual      |
| M = X       |                        |              |                       | DG0 = Auto. Trans.           |
| P = Sahara  |                        |              |                       | DBB = Manual Trans.          |
| S = Rubicon |                        |              |                       | DDK = 5 Speed Manual         |

AR = Use as required - = Non illustrated part # = New this model year

August 27, 2004

**Main Shaft [DEH] [DEH]  
Figure NSG370-420**



| ITEM   | PART NUMBER | QTY | LINE | SERIES | BODY | ENGINE | TRANS | TRIM | DESCRIPTION                                 |
|--|-------------|-----|------|--------|------|--------|-------|------|---|
| NOTE:  |             |     |      |        |      |        |       |      |   |
| Sales Codes:                                 |             |     |      |        |      |        |       |      |   |
| [DEH]=6 Speed Manual Transmission - [NSG370] |             |     |      |        |      |        |       |      |   |
| 1  | 5159 163AA  | 1   |      |        |      | ER0    |       |      | MAINSHAFT, Transmission                     |
|  |             | 1   |      |        |      | ED0    |       |      |   |
| 2  | 5096 453AA  | 1   |      |        |      | ER0    |       |      | BEARING, 05096453AA & 05096459AA            |
|  |             | 1   |      |        |      | ED0    |       |      |   |
| 3  | 5101 448AA  | 1   |      |        |      | ER0    |       |      | GEAR, Second                                |
|  |             | 1   |      |        |      | ED0    |       |      |   |
| 4  | 5099 259AA  | 2   |      |        |      | ER0    |       |      | SYNCHRONIZER, Second Gear                   |
|  |             | 2   |      |        |      | ED0    |       |      |   |
| 5  | 5161 004AA  | 1   |      |        |      | ER0    |       |      | SYNCHRONIZER, First and Second              |
|  |             | 1   |      |        |      | ED0    |       |      |   |
| 6  |             |     |      |        |      |        |       |      | SNAP RING, (NOT SERVICED) (Not Serviced)    |
| 7  |             |     |      |        |      |        |       |      | SYNCHRONIZER, (NOT SERVICED) (Not Serviced) |
| 8  | 5101 449AA  | 1   |      |        |      | ER0    |       |      | GEAR, First                                 |
|  |             | 1   |      |        |      | ED0    |       |      |   |
| 9  | 5096 452AA  | 1   |      |        |      | ER0    |       |      | BEARING, Needle                             |
|  |             | 1   |      |        |      | ED0    |       |      |   |
| 10   | 5159 168AA  | 1   |      |        |      | ER0    |       |      | WASHER, Thrust                              |
|  |             | 1   |      |        |      | ED0    |       |      |   |
| 11   | 5096 359AA  | 1   |      |        |      | ER0    |       |      | BEARING, Needle                             |
|  |             | 1   |      |        |      | ED0    |       |      |   |
| 12   | 5134 496AA  | 1   |      |        |      | ER0    |       |      | GEAR, Reverse                               |
|  |             | 1   |      |        |      | ED0    |       |      |   |
| 13   | 5134 500AA  | 1   |      |        |      | ER0    |       |      | RING, RING-SYNCHRONIZER                     |
|  |             | 1   |      |        |      | ED0    |       |      |   |
| 14   |             |     |      |        |      |        |       |      | SYNCHRONIZER, Reverse                       |

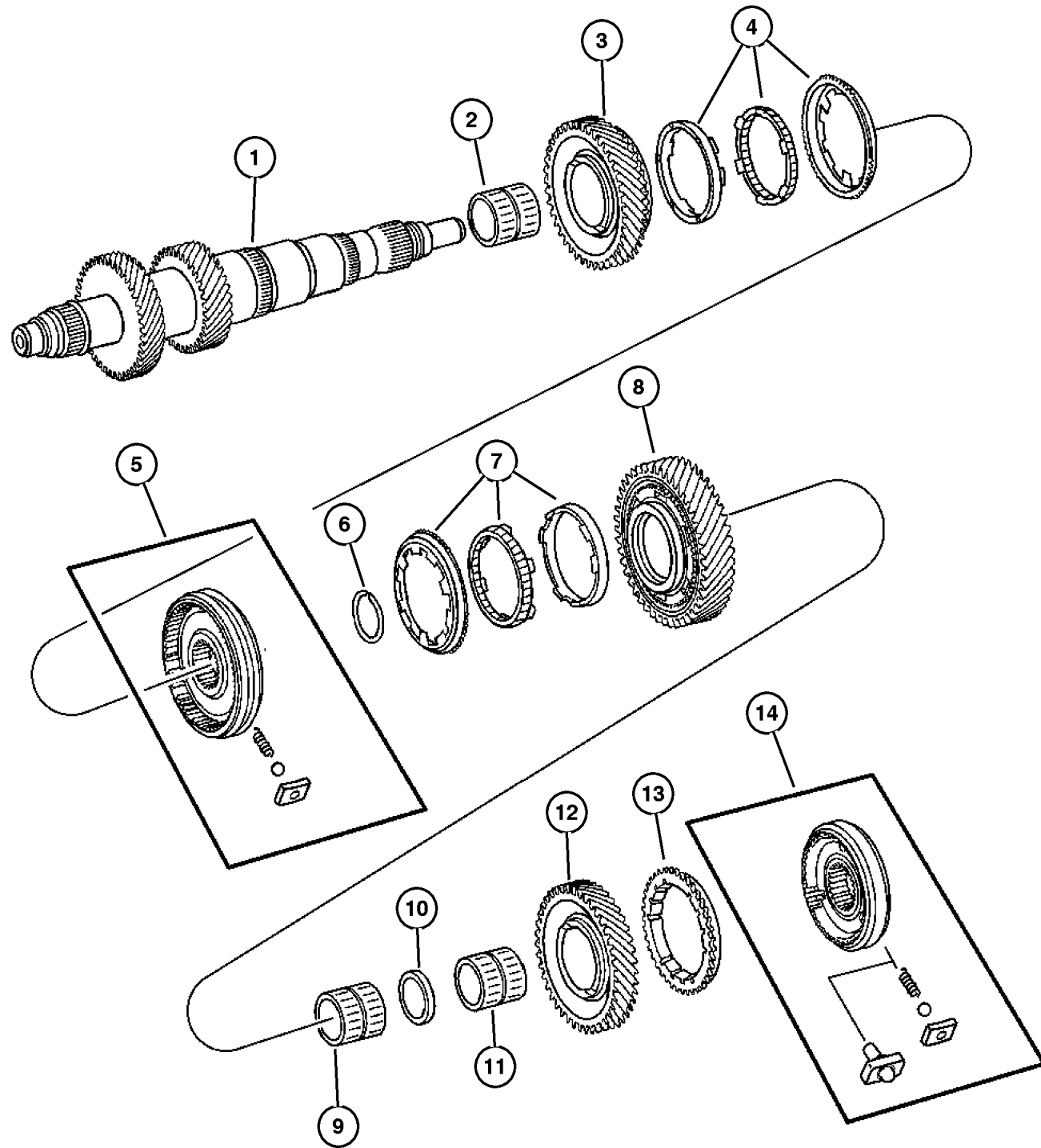
**JEEP WRANGLER (TJ)**

|             |                        |              |                       |                              |
|-------------|------------------------|--------------|-----------------------|------------------------------|
| SERIES      | LINE                   | BODY         | ENGINE                | TRANSMISSION                 |
| H = Sport   | J = Wrangler 4WD       | 77 = 93.4 WB | ED1, ED0 = 2.4L DOHC  | DGG, DGD = 32RH 3 Spd. Auto. |
| L = SE      | U = Wrangler 4WD (RHD) |              | ERH = 4.0L Power Tech | DDD = 5 Speed HD Manual      |
| M = X       |                        |              |                       | DG0 = Auto. Trans.           |
| P = Sahara  |                        |              |                       | DBB = Manual Trans.          |
| S = Rubicon |                        |              |                       | DDK = 5 Speed Manual         |

AR = Use as required - = Non illustrated part # = New this model year

August 27, 2004

Main Shaft [DEH] [DEH]  
Figure NSG370-420



| ITEM | PART NUMBER | QTY | LINE | SERIES | BODY | ENGINE | TRANS | TRIM | DESCRIPTION |
|------|-------------|-----|------|--------|------|--------|-------|------|-------------|
|      | 5161 005AA  | 1   |      |        |      | ERO    |       |      |             |
|      |             | 1   |      |        |      | EDO    |       |      |             |

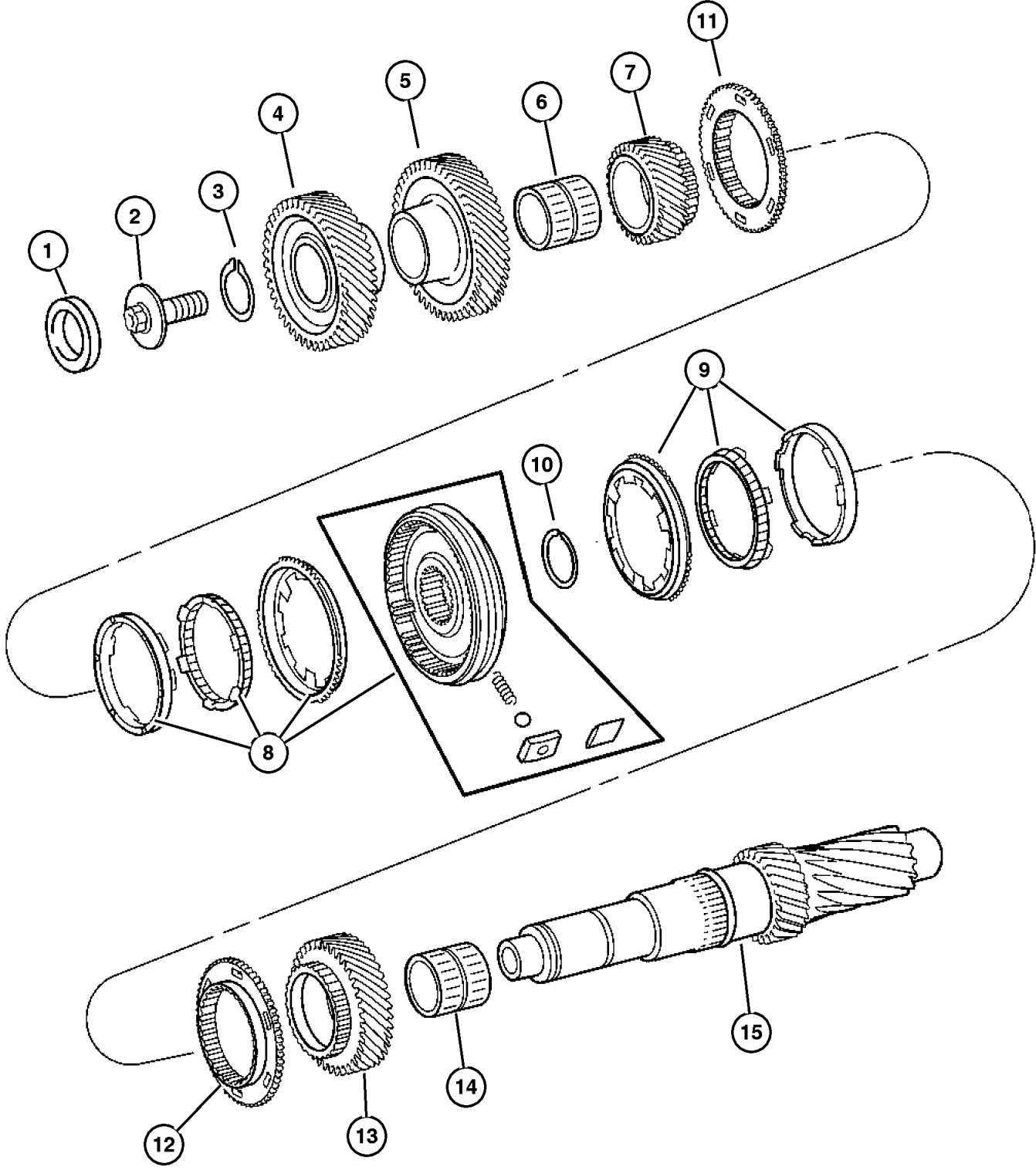
JEEP WRANGLER (TJ)

|             |                        |              |                       |                              |
|-------------|------------------------|--------------|-----------------------|------------------------------|
| SERIES      | LINE                   | BODY         | ENGINE                | TRANSMISSION                 |
| H = Sport   | J = Wrangler 4WD       | 77 = 93.4 WB | ED1, ED0 = 2.4L DOHC  | DGG, DGD = 32RH 3 Spd. Auto. |
| L = SE      | U = Wrangler 4WD (RHD) |              | ERH = 4.0L Power Tech | DDD = 5 Speed HD Manual      |
| M = X       |                        |              |                       | DG0 = Auto. Trans.           |
| P = Sahara  |                        |              |                       | DBB = Manual Trans.          |
| S = Rubicon |                        |              |                       | DDK = 5 Speed Manual         |

AR = Use as required - = Non illustrated part # = New this model year

August 27, 2004

Countershaft [DEH]  
Figure NSG370-430



| ITEM | PART NUMBER | QTY | LINE | SERIES | BODY | ENGINE | TRANS | TRIM | DESCRIPTION                                    |
|------|-------------|-----|------|--------|------|--------|-------|------|--|
| 1    | 5098 878AA  | 1   |      |        |      | ER0    |       |      | BEARING, Countershaft                          |
| 2    | 5098 084AA  | 1   |      |        |      | ER0    |       |      | SCREW  |
| 3    | 5099 268AA  | 1   |      |        |      | ER0    |       |      | SNAP RING                                      |
| 4    | 5096 911AA  | 1   |      |        |      | ER0    |       |      | GEAR, Countershaft                             |
| 5    | 5099 795AA  | 1   |      |        |      | ER0    |       |      | GEAR, Sixth                                    |
| 6    | 5096 454AA  | 1   |      |        |      | ER0    |       |      | BEARING, Needle                                |
| 7    | 5098 348AA  | 1   |      |        |      | ER0    |       |      | GEAR, Third                                    |
| 8    |             |     |      |        |      |        |       |      | SYNCHRONIZER, (NOT SERVICED)<br>(Not Serviced) |
| 9    |             |     |      |        |      |        |       |      | SYNCHRONIZER, (NOT SERVICED)<br>(Not Serviced) |
| 10   |             |     |      |        |      |        |       |      | SNAP RING, (NOT SERVICED) (Not Serviced)       |
| 11   | 5159 165AA  | 1   |      |        |      | ER0    |       |      | STOP RING, Synchronizer                        |
| 12   | 5159 166AA  | 1   |      |        |      | ER0    |       |      | STOP RING, Synchronizer                        |
| 13   | 5098 800AA  | 1   |      |        |      | ER0    |       |      | GEAR, Fourth                                   |
| 14   | 5096 455AA  | 1   |      |        |      | ER0    |       |      | BEARING, Needle                                |

NOTE:

Sales Codes:

[DED]=6 Speed Manual Transmission - [NSG370]

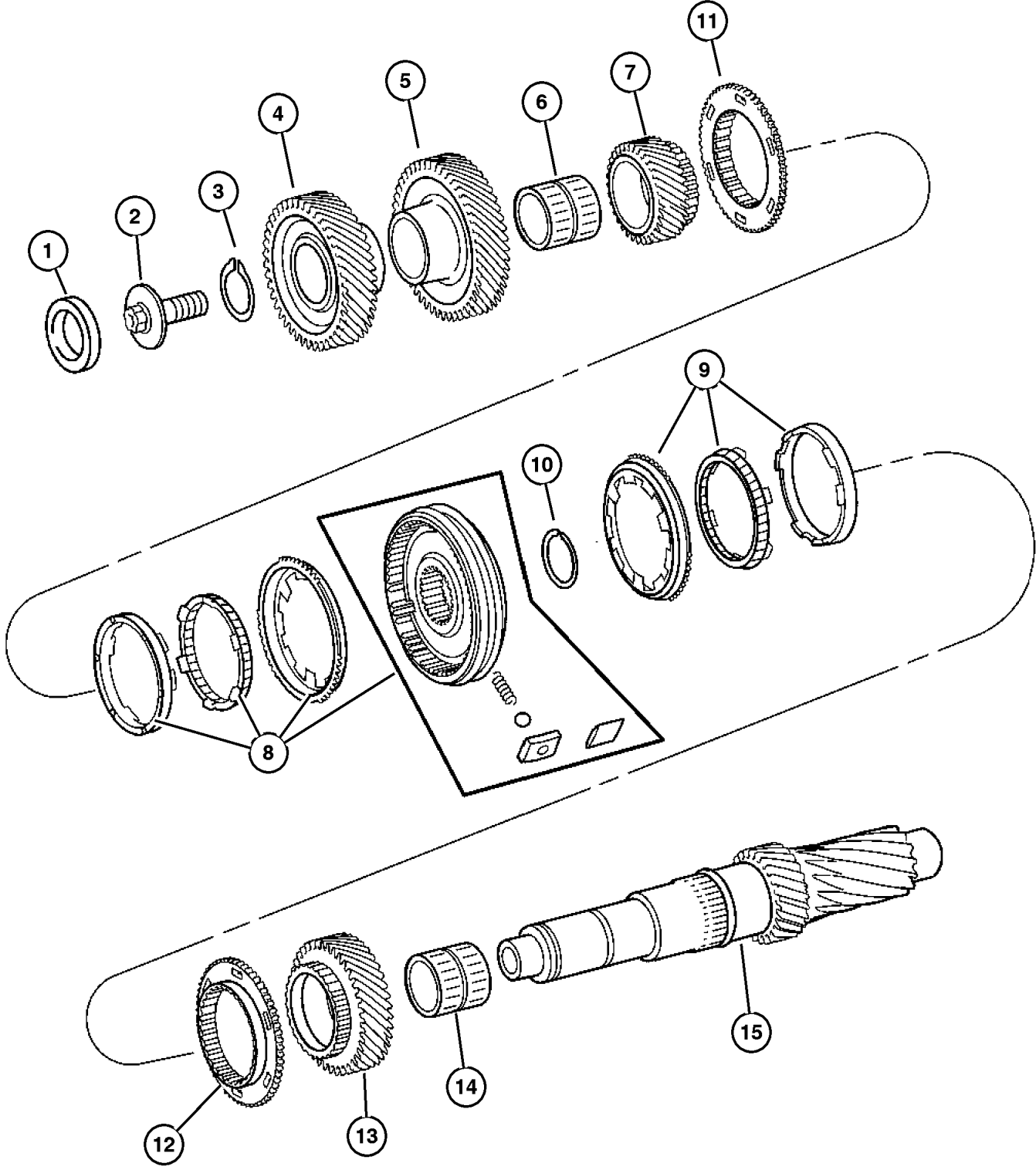
JEEP WRANGLER (TJ)

|             |                        |              |                       |                              |
|-------------|------------------------|--------------|-----------------------|------------------------------|
| SERIES      | LINE                   | BODY         | ENGINE                | TRANSMISSION                 |
| H = Sport   | J = Wrangler 4WD       | 77 = 93.4 WB | ED1, ED0 = 2.4L DOHC  | DGG, DGD = 32RH 3 Spd. Auto. |
| L = SE      | U = Wrangler 4WD (RHD) |              | ERH = 4.0L Power Tech | DDD = 5 Speed HD Manual      |
| M = X       |                        |              |                       | DG0 = Auto. Trans.           |
| P = Sahara  |                        |              |                       | DBB = Manual Trans.          |
| S = Rubicon |                        |              |                       | DDK = 5 Speed Manual         |

AR = Use as required - = Non illustrated part # = New this model year

August 27, 2004

Countershaft [DEH]  
Figure NSG370-430



| ITEM | PART NUMBER | QTY | LINE | SERIES | BODY | ENGINE | TRANS | TRIM | DESCRIPTION  |
|------|-------------|-----|------|--------|------|--------|-------|------|--------------|
|      |             | 1   |      |        |      | ED0    |       |      |              |
| 15   |             |     |      |        |      |        |       |      | COUNTERSHAFT |
|      | 5159 162AA  | 1   |      |        |      | ER0    |       |      |              |
|      |             | 1   |      |        |      | ED0    |       |      |              |
|      |             |     |      |        |      |        |       |      |              |
|      |             |     |      |        |      |        |       |      |              |
|      |             |     |      |        |      |        |       |      |              |
|      |             |     |      |        |      |        |       |      |              |
|      |             |     |      |        |      |        |       |      |              |
|      |             |     |      |        |      |        |       |      |              |
|      |             |     |      |        |      |        |       |      |              |
|      |             |     |      |        |      |        |       |      |              |
|      |             |     |      |        |      |        |       |      |              |
|      |             |     |      |        |      |        |       |      |              |
|      |             |     |      |        |      |        |       |      |              |
|      |             |     |      |        |      |        |       |      |              |
|      |             |     |      |        |      |        |       |      |              |
|      |             |     |      |        |      |        |       |      |              |
|      |             |     |      |        |      |        |       |      |              |

JEEP WRANGLER (TJ)  
 SERIES LINE BODY ENGINE TRANSMISSION  
 H = Sport J = Wrangler 4WD 77 = 93.4 WB ED1, ED0 = 2.4L DOHC DGG, DGD = 32RH 3 Spd.  
 L = SE U = Wrangler 4WD (RHD) ERH = 4.0L Power Tech Auto.  
 M = X  
 P = Sahara  
 S = Rubicon  
 DDD = 5 Speed HD Manual  
 DG0 = Auto. Trans.  
 DBB = Manual Trans.  
 DDK = 5 Speed Manual



Fork and Rails [DEH] [DEH]  
Figure NSG370-910

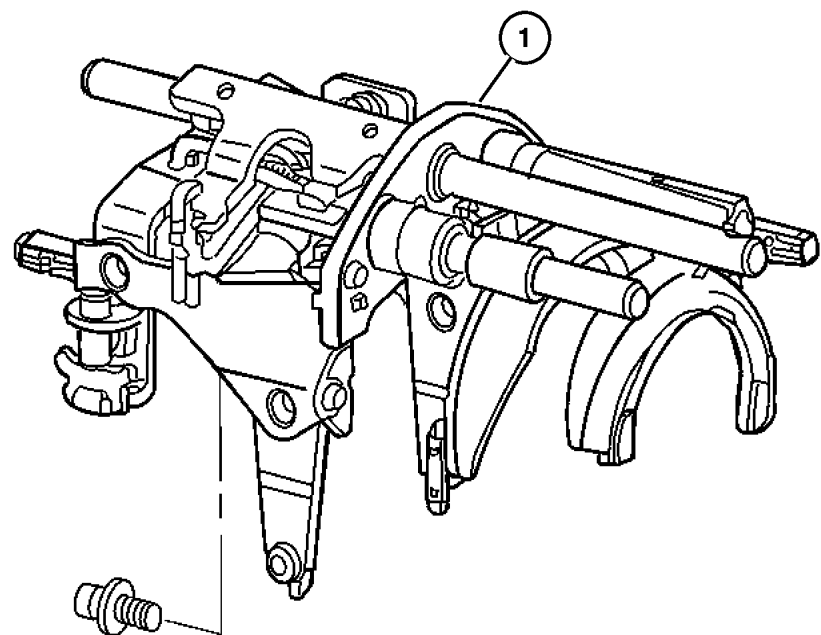
| ITEM | PART NUMBER | QTY | LINE | SERIES | BODY | ENGINE | TRANS | TRIM | DESCRIPTION |
|------|-------------|-----|------|--------|------|--------|-------|------|-------------|
|------|-------------|-----|------|--------|------|--------|-------|------|-------------|

NOTE: Individual Parts For The Fork Assembly Are Not Serviced

Sales Codes:

[DEH]=6 Speed Manual Transmission - [NSG370]

|   |            |   |  |  |  |     |  |  |   |
|---|------------|---|--|--|--|-----|--|--|---|
| 1 |            |   |  |  |  |     |  |  | FORK AND RAIL ASSY, Manual Transmission |
|   | 5161 076AA | 1 |  |  |  | ER0 |  |  |   |
|   |            | 1 |  |  |  | ED0 |  |  |   |



JEEP WRANGLER (TJ)

| SERIES      | LINE                   | BODY         | ENGINE                | TRANSMISSION                 |
|-------------|------------------------|--------------|-----------------------|------------------------------|
| H = Sport   | J = Wrangler 4WD       | 77 = 93.4 WB | ED1, ED0 = 2.4L DOHC  | DGG, DGD = 32RH 3 Spd. Auto. |
| L = SE      | U = Wrangler 4WD (RHD) |              | ERH = 4.0L Power Tech | DDD = 5 Speed HD Manual      |
| M = X       |                        |              |                       | DG0 = Auto. Trans.           |
| P = Sahara  |                        |              |                       | DBB = Manual Trans.          |
| S = Rubicon |                        |              |                       | DDK = 5 Speed Manual         |

AR = Use as required - = Non illustrated part # = New this model year

August 27, 2004

Shift Tower [DEH] [DEH]  
Figure NSG370-1210

| ITEM | PART NUMBER | QTY | LINE | SERIES | BODY | ENGINE | TRANS | TRIM | DESCRIPTION |
|------|-------------|-----|------|--------|------|--------|-------|------|-------------|
|------|-------------|-----|------|--------|------|--------|-------|------|-------------|

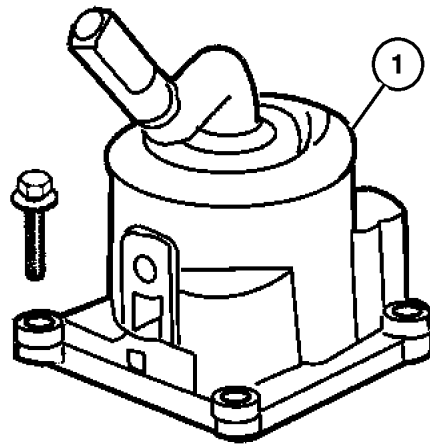
NOTE: Sales Code

[DEH]= Six Speed Manual Transmission - [NSG370]

[ED0]=All 2.2,2.4,2.5,L Four Cylinder Gas Engines

[ER0]=All 4.0L Six Cylinder Gas Engines

|   |            |   |  |  |  |     |  |  |                |
|---|------------|---|--|--|--|-----|--|--|----------------|
| 1 |            |   |  |  |  |     |  |  | SHIFTER, Tower |
|   | 5159 146AA | 1 |  |  |  | ER0 |  |  |                |
|   | 5159 145AA | 1 |  |  |  | ED0 |  |  |                |



JEEP WRANGLER (TJ)

| SERIES      | LINE                   | BODY         | ENGINE                | TRANSMISSION                 |
|-------------|------------------------|--------------|-----------------------|------------------------------|
| H = Sport   | J = Wrangler 4WD       | 77 = 93.4 WB | ED1, ED0 = 2.4L DOHC  | DGG, DGD = 32RH 3 Spd. Auto. |
| L = SE      | U = Wrangler 4WD (RHD) |              | ERH = 4.0L Power Tech | DDD = 5 Speed HD Manual      |
| M = X       |                        |              |                       | DG0 = Auto. Trans.           |
| P = Sahara  |                        |              |                       | DBB = Manual Trans.          |
| S = Rubicon |                        |              |                       | DDK = 5 Speed Manual         |

AR = Use as required - = Non illustrated part # = New this model year

August 27, 2004

# Group – 231

## Transfer Case Model 231

### GROUP 231 - Transfer Case Model 231

Illustration Title

Group-Fig. No.

#### Transfer Case Assembly

Transfer Case [DHN] ..... Fig. 231-110

#### Case and Related Parts

Case and Related Parts, Command Trac [DHN] ..... Fig. 231-210

#### Gear Train

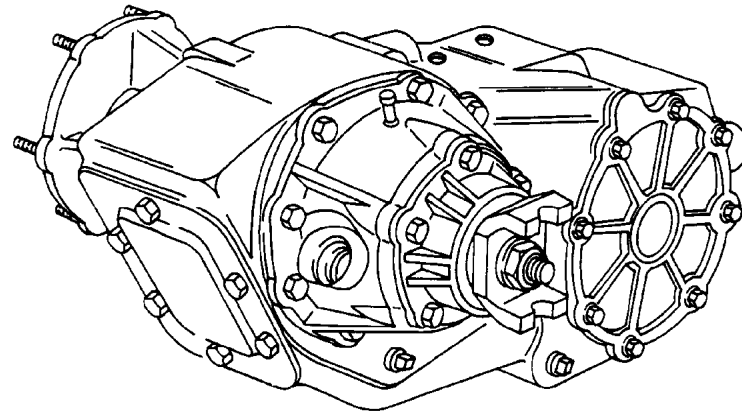
Gear Train , Command Trac [DHN] ..... Fig. 231-410

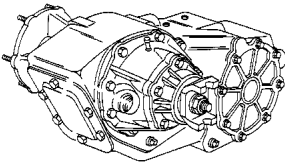
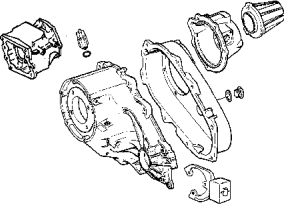
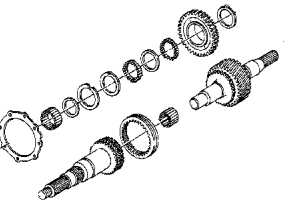
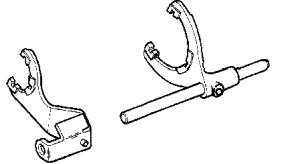

#### Fork and Rails

Forks and Rails, Command Trac [DHN] ..... Fig. 231-910

#### Gearshift Controls

Gearshift Controls,Skid Plate, Command Trac [DHN] ..... Fig. 231-1210



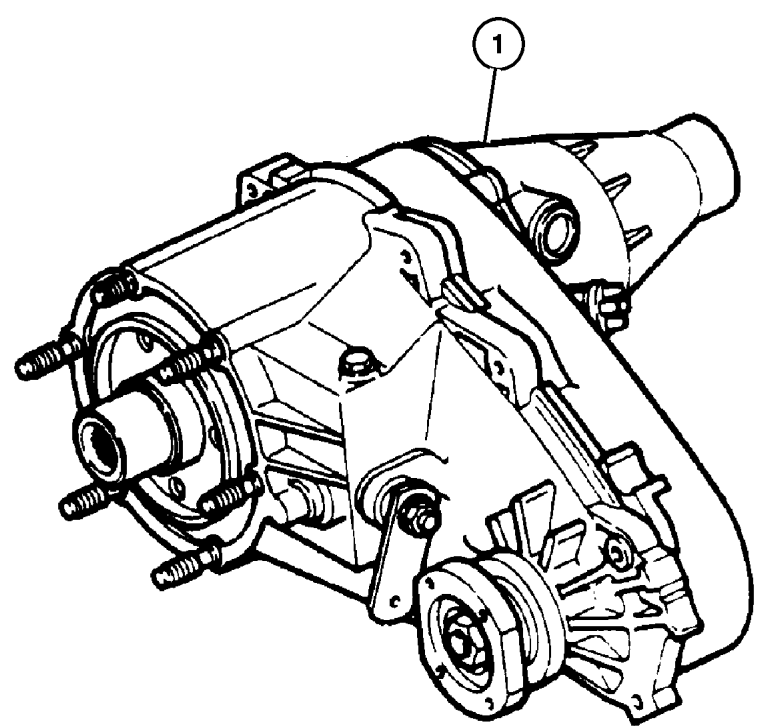
|  |  |   |  |
|--|--|---|--|
| <p><b>231-100</b><br/>Transfer Case Assembly</p>  | <p><b>231-200</b><br/>Case and Related Parts</p>  | <p><b>231-400</b><br/>Gear Train</p>  | <p><b>231-900</b><br/>Fork and Rails</p>  |
| <p><b>231-1200</b><br/>Gearshift Controls</p>     |  |   |  |

Transfer Case [DHN]  
Figure 231-110

| ITEM | PART NUMBER | QTY | LINE | SERIES | BODY | ENGINE | TRANS | TRIM | DESCRIPTION |
|------|-------------|-----|------|--------|------|--------|-------|------|-------------|
|------|-------------|-----|------|--------|------|--------|-------|------|-------------|

NOTE; Sales Code  
 [DDD] = 5 Speed Heavy Duty Manual Transmission  
 [DEH] = Six Speed Manual Transmission NSG 370  
 [DG0]=All Automatic Transmissions

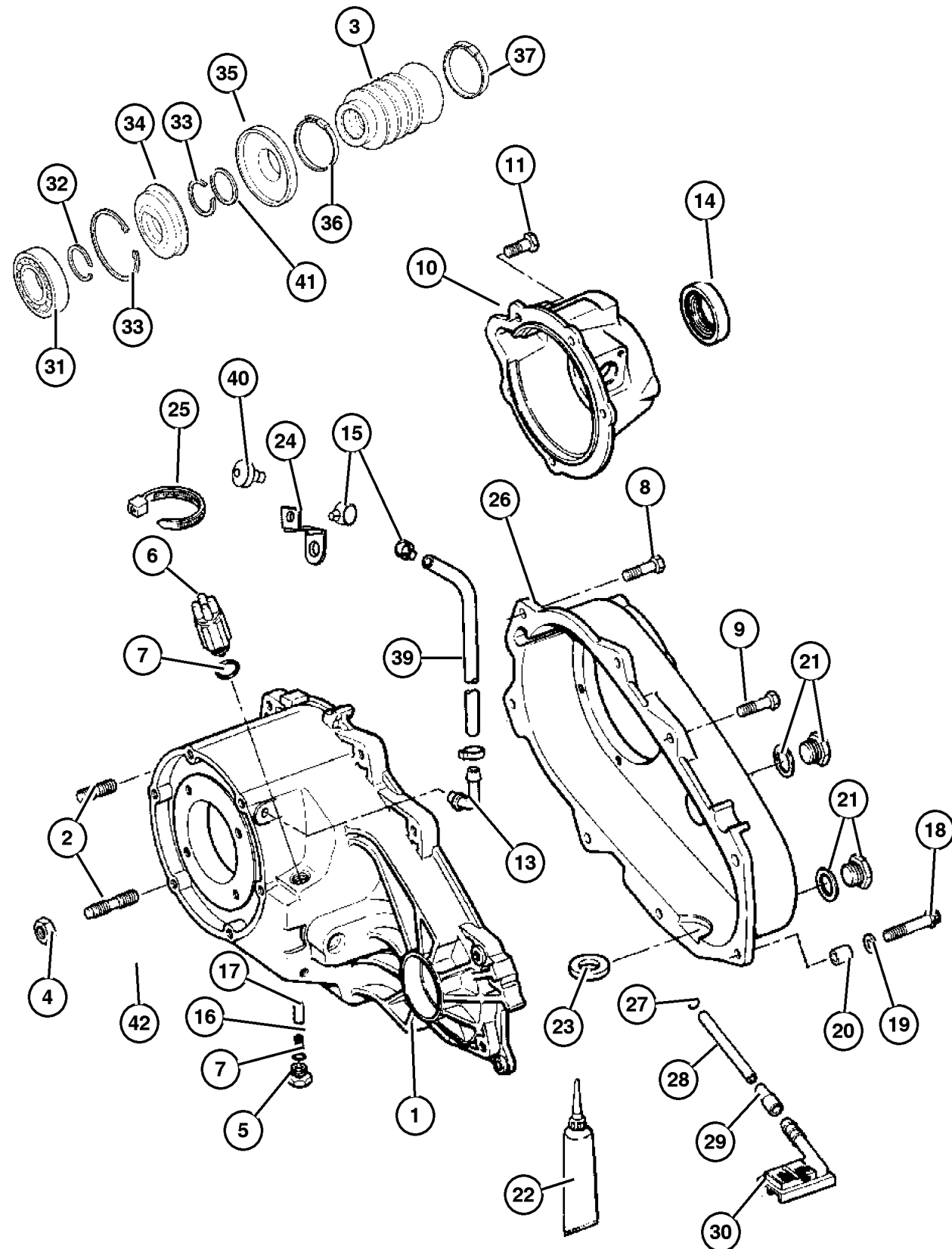
|   |             |   |  |  |  |  |  |  |                      |
|---|-------------|---|--|--|--|--|--|--|----------------------|
| 1 |             |   |  |  |  |  |  |  | TRANSFER CASE, NV231 |
|   | 52105 886AC | 1 |  |  |  |  |  |  |                      |
|   | 52105 887AC | 1 |  |  |  |  |  |  |                      |



| JEEP WRANGLER (TJ) |                        |              |                       | TRANSMISSION                 |
|--------------------|------------------------|--------------|-----------------------|------------------------------|
| SERIES             | LINE                   | BODY         | ENGINE                |                              |
| H = Sport          | J = Wrangler 4WD       | 77 = 93.4 WB | ED1, ED0 = 2.4L DOHC  | DGG, DGD = 32RH 3 Spd. Auto. |
| L = SE             | U = Wrangler 4WD (RHD) |              | ERH = 4.0L Power Tech | DDD = 5 Speed HD Manual      |
| M = X              |                        |              |                       | DG0 = Auto. Trans.           |
| P = Sahara         |                        |              |                       | DBB = Manual Trans.          |
| S = Rubicon        |                        |              |                       | DDK = 5 Speed Manual         |

AR = Use as required - = Non illustrated part # = New this model year

**Case and Related Parts, Command Trac [DHN]  
Figure 231-210**



| ITEM   | PART NUMBER             | QTY    | LINE | SERIES | BODY | ENGINE | TRANS | TRIM | DESCRIPTION                             |
|--|-------------------------|--------|------|--------|------|--------|-------|------|---|
| NOTE; Sales Code                               |                         |        |      |        |      |        |       |      |   |
| [DEH] = Six Speed Manual Transmission NSG 370  |                         |        |      |        |      |        |       |      |   |
| [DG0] = All Automatic Transmissions            |                         |        |      |        |      |        |       |      |   |
| [ED0]=All 2.2,2.4,2.5,L 4 Cylinder Gas Engines |                         |        |      |        |      |        |       |      |   |
| [ER0]=All 4.0L 6 Cylinder Gas Engines          |                         |        |      |        |      |        |       |      |   |
| 1  | 4798 111                | 1      |      |        |      |        |       |      | CASE, Transfer Front                    |
| 2  | 4167 922                | 6      |      |        |      |        |       |      | STUD, Tranmission Case                  |
| 3  | 4798 123                | 1      |      |        |      |        |       |      | BOOT, Driveshaft                        |
| 4  | 5017 825AA<br>J400 6681 | 1<br>6 |      |        |      | ER0    |       |      | NUT AND CONED WASHER, Hex,<br>.375-24   |
| 5  | 4886 473AA              | 1      |      |        |      |        |       |      | SCREW                                   |
| 6  | J813 4473               | 1      |      |        |      |        |       |      | SWITCH, Transfer Case Mode              |
| 7  | 4338 956                | 1      |      |        |      |        |       |      | SEAL, Vacuum Switch                     |
| 8  | 4210 617                | 1      |      |        |      |        |       |      | BOLT, Transfer Case                     |
| 9  | J813 0979               | 1      |      |        |      |        |       |      | BOLT, Twelve Point Head, M10x1.<br>5x48 |
| 10   | 5017 477AA              | 1      |      |        |      |        |       |      | RETAINER, Transfer Case Rear            |
| 11   | 6501 371                | 4      |      |        |      |        |       |      | BOLT, Retainer                          |
| -12  | 5211 8181               | 1      |      |        |      |        |       |      | CLIP                                    |
| 13   |                         | 1      |      |        |      |        |       |      | VENT, Transfer Case                     |

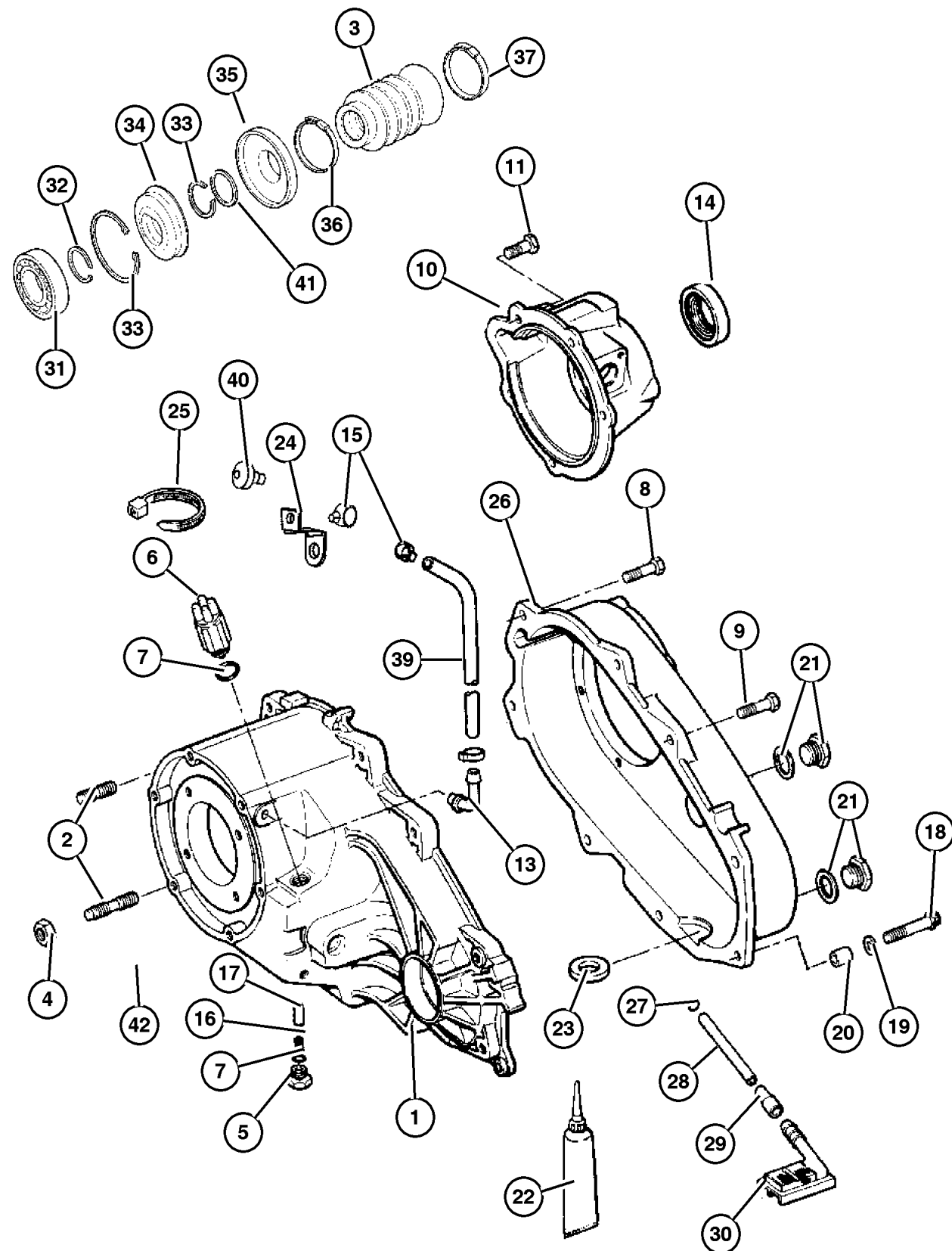
**JEEP WRANGLER (TJ)**

|             |                        |              |                       |                                 |
|-------------|------------------------|--------------|-----------------------|---------------------------------|
| SERIES      | LINE                   | BODY         | ENGINE                | TRANSMISSION                    |
| H = Sport   | J = Wrangler 4WD       | 77 = 93.4 WB | ED1, ED0 = 2.4L DOHC  | DGG, DGD = 32RH 3 Spd.<br>Auto. |
| L = SE      | U = Wrangler 4WD (RHD) |              | ERH = 4.0L Power Tech | DDD = 5 Speed HD Manual         |
| M = X       |                        |              |                       | DG0 = Auto. Trans.              |
| P = Sahara  |                        |              |                       | DBB = Manual Trans.             |
| S = Rubicon |                        |              |                       | DDK = 5 Speed Manual            |

AR = Use as required - = Non illustrated part # = New this model year

August 27, 2004

**Case and Related Parts, Command Trac [DHN]  
Figure 231-210**



| ITEM | PART NUMBER | QTY | LINE | SERIES | BODY | ENGINE | TRANS | TRIM | DESCRIPTION                                |
|------|-------------|-----|------|--------|------|--------|-------|------|--|
|      | 4796 910    | 1   |      |        |      |        |       |      |  |
| 14   | 4798 117    | 1   |      |        |      |        |       |      | SEAL, Output Shaft                         |
| 15   | 6502 081    | 1   |      |        |      |        |       |      | CLAMP, Oil Cooler Line, Transfer Case Vent |
| 16   | 4638 497    | 1   |      |        |      |        |       |      | SPRING, Shift Detent                       |
| 17   | 5300 8217   | 1   |      |        |      |        |       |      | PLUNGER                                    |
| 18   | 4210 614    | 1   |      |        |      |        |       |      | BOLT, Hex Flange Head                      |
| 19   | 4210 983    | 2   |      |        |      |        |       |      | WASHER, Flat                               |
| 20   | 4116 310    | 2   |      |        |      |        |       |      | DOWEL, Transfer Case                       |
| 21   | 4856 641    | 2   |      |        |      |        |       |      | PLUG, Oil Fill                             |
| 22   | 5010 884AA  | 1   |      |        |      |        |       |      | SEALANT, RTV                               |
| 23   | 3681 601    | 1   |      |        |      |        |       |      | MAGNET, Transmission                       |
| 24   | 5211 8181   | 1   |      |        |      |        |       |      | CLIP                                       |
| 25   | 5073 039AA  | 1   |      |        |      |        |       |      | STRAP, Tie                                 |
| 26   | 4886 222AA  | 1   |      |        |      |        |       |      | CASE, Transfer Rear                        |
| 27   | 4338 942    | 1   |      |        |      |        |       |      | SEAL, Oil                                  |
| 28   | 4338 941    | 1   |      |        |      |        |       |      | TUBE, Oil Pickup                           |
|      |             | 1   |      |        |      |        |       |      |  |

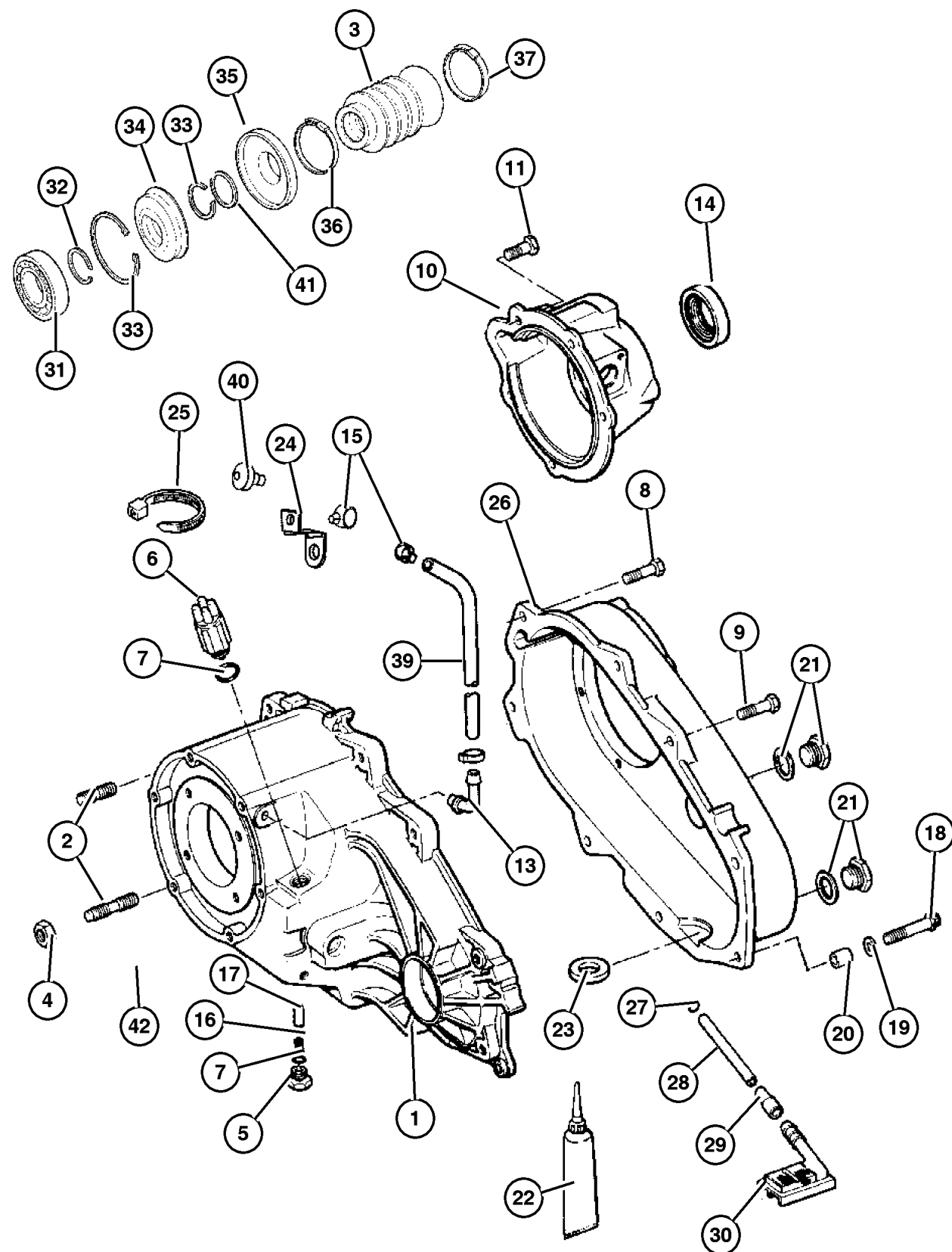
**JEEP WRANGLER (TJ)**

|             |                        |              |                       |                              |
|-------------|------------------------|--------------|-----------------------|------------------------------|
| SERIES      | LINE                   | BODY         | ENGINE                | TRANSMISSION                 |
| H = Sport   | J = Wrangler 4WD       | 77 = 93.4 WB | ED1, ED0 = 2.4L DOHC  | DGG, DGD = 32RH 3 Spd. Auto. |
| L = SE      | U = Wrangler 4WD (RHD) |              | ERH = 4.0L Power Tech | DDD = 5 Speed HD Manual      |
| M = X       |                        |              |                       | DG0 = Auto. Trans.           |
| P = Sahara  |                        |              |                       | DBB = Manual Trans.          |
| S = Rubicon |                        |              |                       | DDK = 5 Speed Manual         |

AR = Use as required - = Non illustrated part # = New this model year

August 27, 2004

Case and Related Parts, Command Trac [DHN]  
Figure 231-210



| ITEM | PART NUMBER | QTY | LINE | SERIES | BODY | ENGINE | TRANS | TRIM | DESCRIPTION   |
|------|-------------|-----|------|--------|------|--------|-------|------|---|
| 29   |             |     |      |        |      |        |       |      | CONNECTOR, Oil Tube Pickup                              |
|      | 4338 944    | 1   |      |        |      |        |       |      |   |
|      |             | 1   |      |        |      |        |       |      |   |
| 30   |             |     |      |        |      |        |       |      | FILTER, Transfer Case Oil                               |
|      | 4338 943    | 1   |      |        |      |        |       |      |   |
|      |             | 1   |      |        |      |        |       |      |   |
| 31   |             |     |      |        |      |        |       |      | BEARING   |
|      | 4338 892    | 1   |      |        |      |        |       |      |   |
|      |             | 1   |      |        |      |        |       |      |   |
| 32   |             |     |      |        |      |        |       |      | SNAP RING   |
|      | 4798 116    | 1   |      |        |      |        |       |      |   |
|      |             | 1   |      |        |      |        |       |      |   |
| 33   |             |     |      |        |      |        |       |      | SNAP RING   |
|      | J813 4488   | 1   |      |        |      |        |       |      |   |
|      |             | 1   |      |        |      |        |       |      |   |
| 34   |             |     |      |        |      |        |       |      | SEAL, Output Shaft                                      |
|      | 4798 117    | 1   |      |        |      |        |       |      |   |
|      |             | 1   |      |        |      |        |       |      |   |
| 35   | 5016 615AA  | 1   |      |        |      |        |       |      | SLINGER, Oil  |
| 36   |             |     |      |        |      |        |       |      | CLAMP, Boot   |
|      | 4798 122    | 1   |      |        |      |        |       |      |   |
|      |             | 1   |      |        |      |        |       |      |   |
| 37   |             |     |      |        |      |        |       |      | CLAMP, Boot   |
|      | 4798 121    | 1   |      |        |      |        |       |      |   |
|      | 5017 823AA  | 1   |      |        |      |        |       |      |   |
| -38  | 5017 819AA  | 1   |      |        |      |        |       |      | DAMPER, Transfer Case                                   |
| 39   | 52105 882AA | 1   |      |        |      |        |       |      | HOSE, vent, Transfer Case Vent<br>Hose To Breather Tube |
| 40   | 4213 328    | 1   |      |        |      |        |       |      | VENT, Cap   |
| 41   |             |     |      |        |      |        |       |      | WASHER, Flat  |
|      | S243 6163   | 1   |      |        |      |        |       |      |   |
|      |             | 1   |      |        |      |        |       |      |   |
| 42   | 6500 318    | 1   |      |        |      |        |       |      | BOLT  |

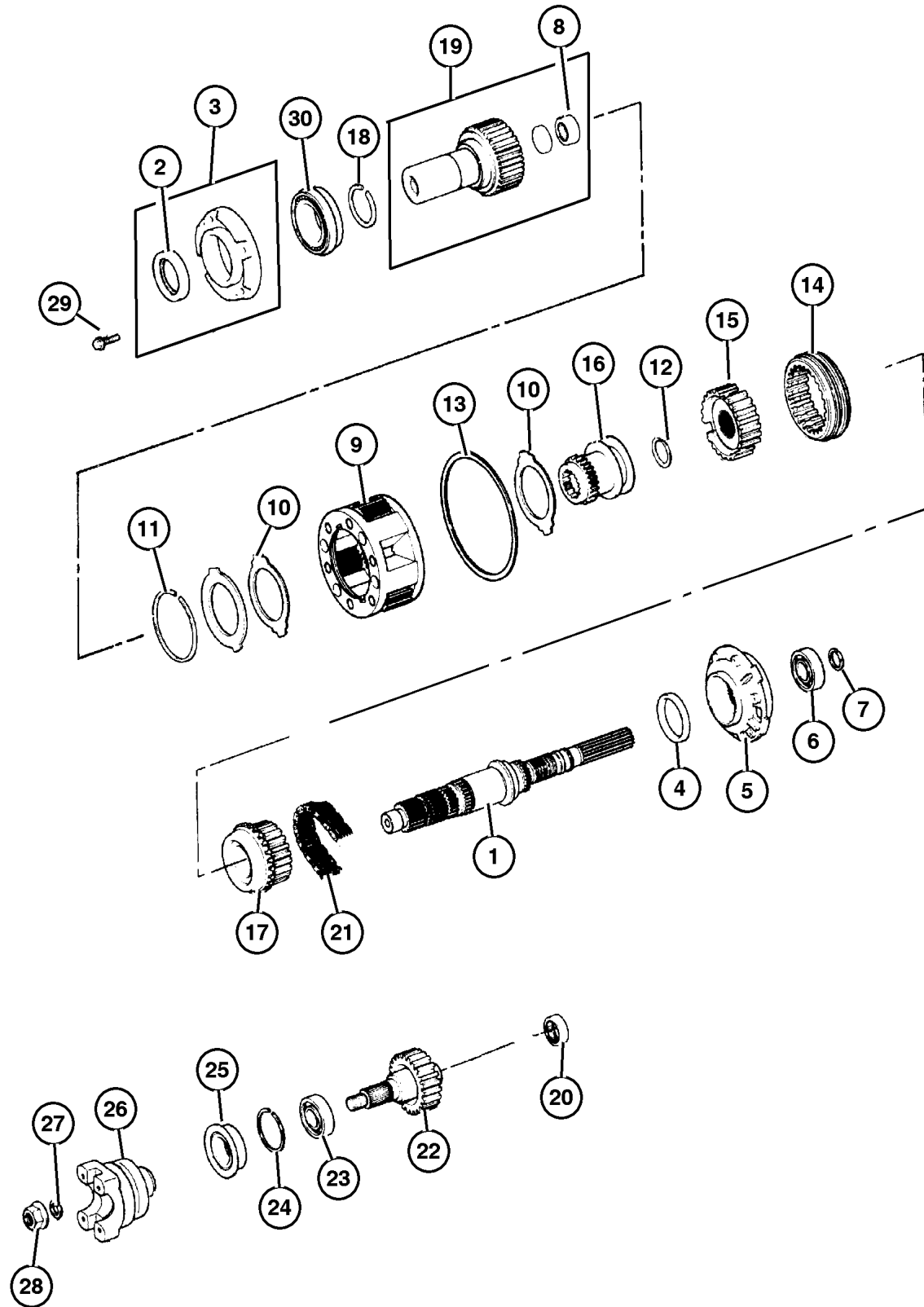
JEEP WRANGLER (TJ)

|             |                        |              |                       |                                 |
|-------------|------------------------|--------------|-----------------------|---------------------------------|
| SERIES      | LINE                   | BODY         | ENGINE                | TRANSMISSION                    |
| H = Sport   | J = Wrangler 4WD       | 77 = 93.4 WB | ED1, ED0 = 2.4L DOHC  | DGG, DGD = 32RH 3 Spd.<br>Auto. |
| L = SE      | U = Wrangler 4WD (RHD) |              | ERH = 4.0L Power Tech | DDD = 5 Speed HD Manual         |
| M = X       |                        |              |                       | DG0 = Auto. Trans.              |
| P = Sahara  |                        |              |                       | DBB = Manual Trans.             |
| S = Rubicon |                        |              |                       | DDK = 5 Speed Manual            |

AR = Use as required - = Non illustrated part # = New this model year

August 27, 2004

**Gear Train , Command Trac [DHN]  
Figure 231-410**



| ITEM   | PART NUMBER | QTY | LINE | SERIES | BODY | ENGINE | TRANS | TRIM | DESCRIPTION                      |
|--|-------------|-----|------|--------|------|--------|-------|------|----------------------------------|
| NOTE; Sales Code                               |             |     |      |        |      |        |       |      |                                  |
| [DEH] = Six Speed Manual Transmission NSG 370  |             |     |      |        |      |        |       |      |                                  |
| [DG0] = All Automatic Transmissions            |             |     |      |        |      |        |       |      |                                  |
| [ED0]=All 2.2,2.4,2.5,L 4 Cylinder Gas Engines |             |     |      |        |      |        |       |      |                                  |
| [ER0]=All 4.0L 6 Cylinder Gas Engines          |             |     |      |        |      |        |       |      |                                  |
| 1  |             |     |      |        |      |        |       |      | MAINSHAFT, Transfer Case         |
|  | 5017 631AA  | 1   |      |        |      |        |       |      |                                  |
|  | 5086 384AA  | 1   |      |        |      |        |       |      |                                  |
| 2  |             |     |      |        |      |        |       |      | SEAL, Input Gear                 |
|  | 5019 020AA  | 1   |      |        |      |        |       |      |                                  |
| 3  |             |     |      |        |      |        |       |      | EXTENSION, Transfer Case         |
|  | 4338 973    | 1   |      |        |      |        |       |      |                                  |
| 4  |             |     |      |        |      |        |       |      | SEAL, Main Shaft                 |
|  | 4210 603    | 1   |      |        |      |        |       |      |                                  |
| 5  |             |     |      |        |      |        |       |      | PUMP, Transfer Case Oil          |
|  | 4338 936    | 1   |      |        |      |        |       |      |                                  |
| 6  |             |     |      |        |      |        |       |      | BEARING                          |
|  | 4338 892    | 1   |      |        |      |        |       |      |                                  |
| 7  |             |     |      |        |      |        |       |      | SNAP RING                        |
|  | J813 4488   | 1   |      |        |      |        |       |      |                                  |
| 8  |             |     |      |        |      |        |       |      | BEARING, Input Shaft             |
|  | 8350 3507   | 1   |      |        |      |        |       |      |                                  |
| 9  |             |     |      |        |      |        |       |      | PLANETARY, Transfer Case         |
|  | 4796 903AB  | 1   |      |        |      |        |       |      |                                  |
| 10   |             |     |      |        |      |        |       |      | THRUST WASHER, Planetary Carrier |
|  | 4338 908    | 1   |      |        |      |        |       |      |                                  |
| 11   |             |     |      |        |      |        |       |      | SNAP RING                        |
|  | 4338 910    | 1   |      |        |      |        |       |      |                                  |
| 12   |             |     |      |        |      |        |       |      | SNAP RING                        |
|  | 4338 933    | 1   |      |        |      |        |       |      |                                  |
|  |             | 1   |      |        |      |        |       |      |                                  |

**JEEP WRANGLER (TJ)**

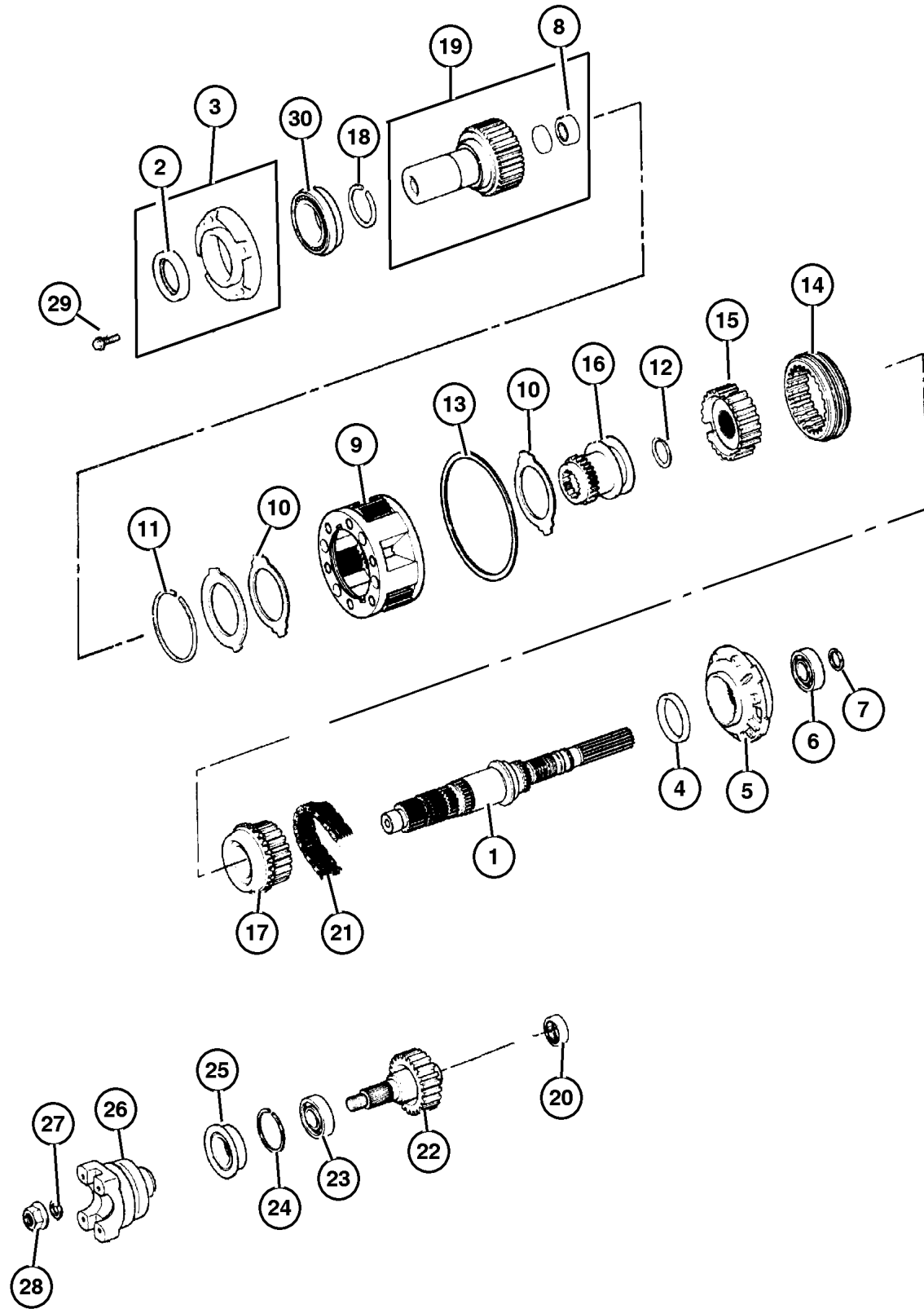
|             |                        |              |                       |                              |
|-------------|------------------------|--------------|-----------------------|------------------------------|
| SERIES      | LINE                   | BODY         | ENGINE                | TRANSMISSION                 |
| H = Sport   | J = Wrangler 4WD       | 77 = 93.4 WB | ED1, ED0 = 2.4L DOHC  | DGG, DGD = 32RH 3 Spd. Auto. |
| L = SE      | U = Wrangler 4WD (RHD) |              | ERH = 4.0L Power Tech | DDD = 5 Speed HD Manual      |
| M = X       |                        |              |                       | DG0 = Auto. Trans.           |
| P = Sahara  |                        |              |                       | DBB = Manual Trans.          |
| S = Rubicon |                        |              |                       | DDK = 5 Speed Manual         |

AR = Use as required - = Non illustrated part # = New this model year

August 27, 2004



**Gear Train , Command Trac [DHN]  
Figure 231-410**



| ITEM | PART NUMBER | QTY | LINE | SERIES | BODY | ENGINE | TRANS | TRIM | DESCRIPTION                 |
|------|-------------|-----|------|--------|------|--------|-------|------|-----------------------------|
| 13   |             |     |      |        |      |        |       |      | SNAP RING, Annulus Gear     |
|      | 4219 065    | 1   |      |        |      |        |       |      |                             |
| 14   |             |     |      |        |      |        |       |      | SLEEVE, Mode Synchronizer   |
|      | 4796 909    | 1   |      |        |      |        |       |      |                             |
| 15   |             |     |      |        |      |        |       |      | HUB, Synchronizer Mode      |
| 16   |             |     |      |        |      |        |       |      | SLEEVE, Range Fork          |
|      | 4897 955AA  | 1   |      |        |      |        |       |      |                             |
| 17   |             |     |      |        |      |        |       |      | SPROCKET, Transfer Case     |
|      | 4796 908    | 1   |      |        |      |        |       |      |                             |
| 18   |             |     |      |        |      |        |       |      | SNAP RING                   |
|      | 3821 558    | 1   |      |        |      |        |       |      |                             |
| 19   |             |     |      |        |      |        |       |      | GEAR, Input                 |
|      | 4897 953AA  | 1   |      |        |      |        |       |      |                             |
| 20   |             |     |      |        |      |        |       |      | BEARING, Output Shaft       |
|      | 4269 189    | 1   |      |        |      |        |       |      |                             |
| 21   |             |     |      |        |      |        |       |      | CHAIN, Transfer Case        |
|      | 4338 935    | 1   |      |        |      |        |       |      |                             |
| 22   |             |     |      |        |      |        |       |      | OUTPUT SHAFT, Transfer Case |
|      | 4338 934    | 1   |      |        |      |        |       |      |                             |
| 23   |             |     |      |        |      |        |       |      | BEARING                     |
|      | 4338 892    | 1   |      |        |      |        |       |      |                             |
| 24   |             |     |      |        |      |        |       |      | SNAP RING, Bearing          |
|      | 4338 894    | 1   |      |        |      |        |       |      |                             |
| 25   |             |     |      |        |      |        |       |      | SEAL                        |
|      | 4798 112    | 1   |      |        |      |        |       |      |                             |
| 26   |             |     |      |        |      |        |       |      | YOKE, Transfer Case Output  |
|      | 4798 120    | 1   |      |        |      |        |       |      |                             |
| 27   |             |     |      |        |      |        |       |      | WASHER, Flat                |
|      | 4210 983    | 2   |      |        |      |        |       |      |                             |

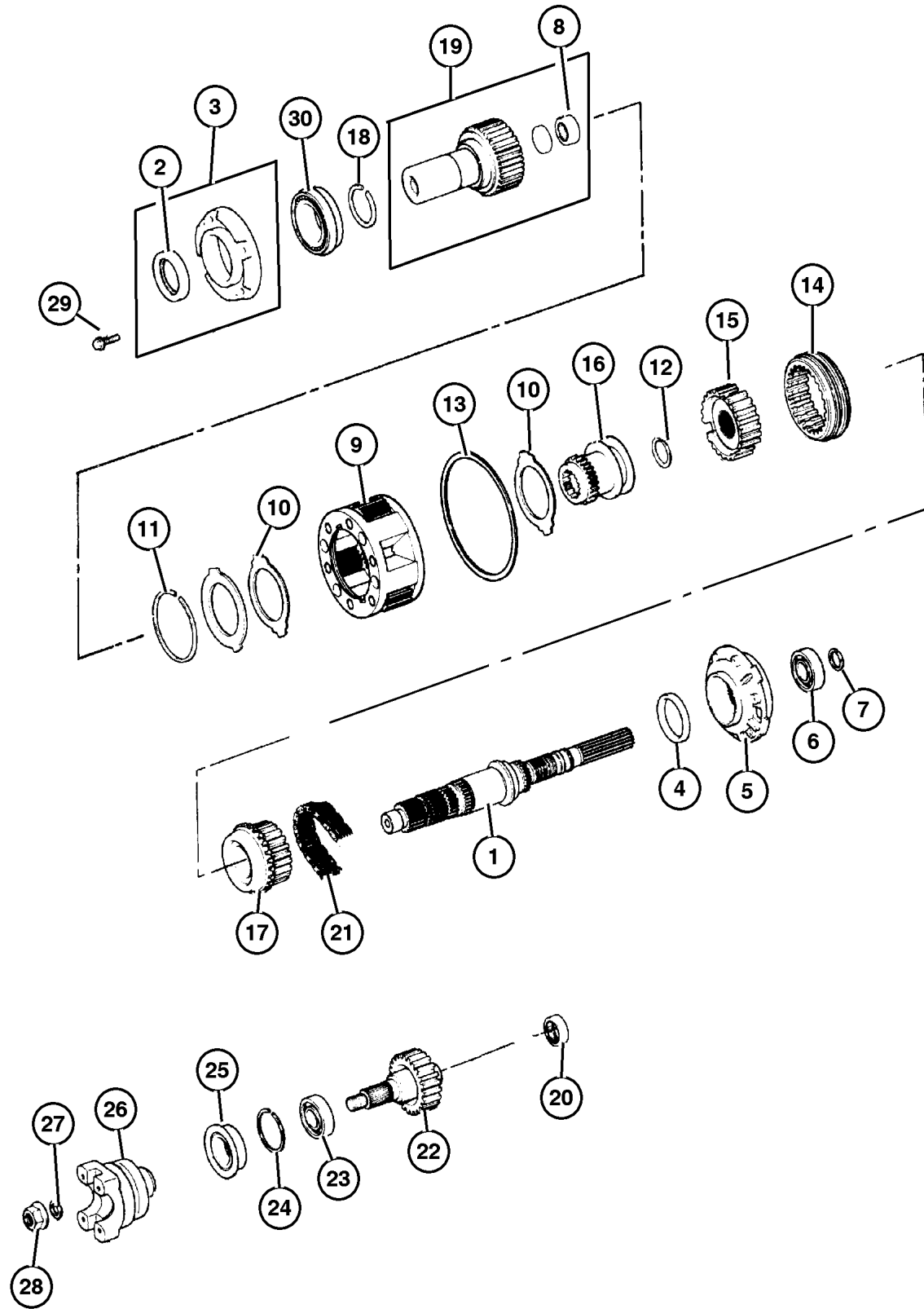
**JEEP WRANGLER (TJ)**

|             |                        |              |                       |                              |
|-------------|------------------------|--------------|-----------------------|------------------------------|
| SERIES      | LINE                   | BODY         | ENGINE                | TRANSMISSION                 |
| H = Sport   | J = Wrangler 4WD       | 77 = 93.4 WB | ED1, ED0 = 2.4L DOHC  | DGG, DGD = 32RH 3 Spd. Auto. |
| L = SE      | U = Wrangler 4WD (RHD) |              | ERH = 4.0L Power Tech | DDD = 5 Speed HD Manual      |
| M = X       |                        |              |                       | DG0 = Auto. Trans.           |
| P = Sahara  |                        |              |                       | DBB = Manual Trans.          |
| S = Rubicon |                        |              |                       | DDK = 5 Speed Manual         |

AR = Use as required - = Non illustrated part # = New this model year

August 27, 2004

**Gear Train , Command Trac [DHN]  
Figure 231-410**



| ITEM | PART NUMBER | QTY | LINE | SERIES | BODY | ENGINE | TRANS | TRIM | DESCRIPTION         |
|------|-------------|-----|------|--------|------|--------|-------|------|---------------------|
|      |             | 2   |      |        |      |        |       |      |                     |
| 28   | 4446 488    | 1   |      |        |      |        |       |      | NUT, Hex Flange     |
| 29   | 6500 318    | 1   |      |        |      |        |       |      | BOLT                |
| 30   | 4746 155    | 1   |      |        |      |        |       |      | BEARING, Input Gear |

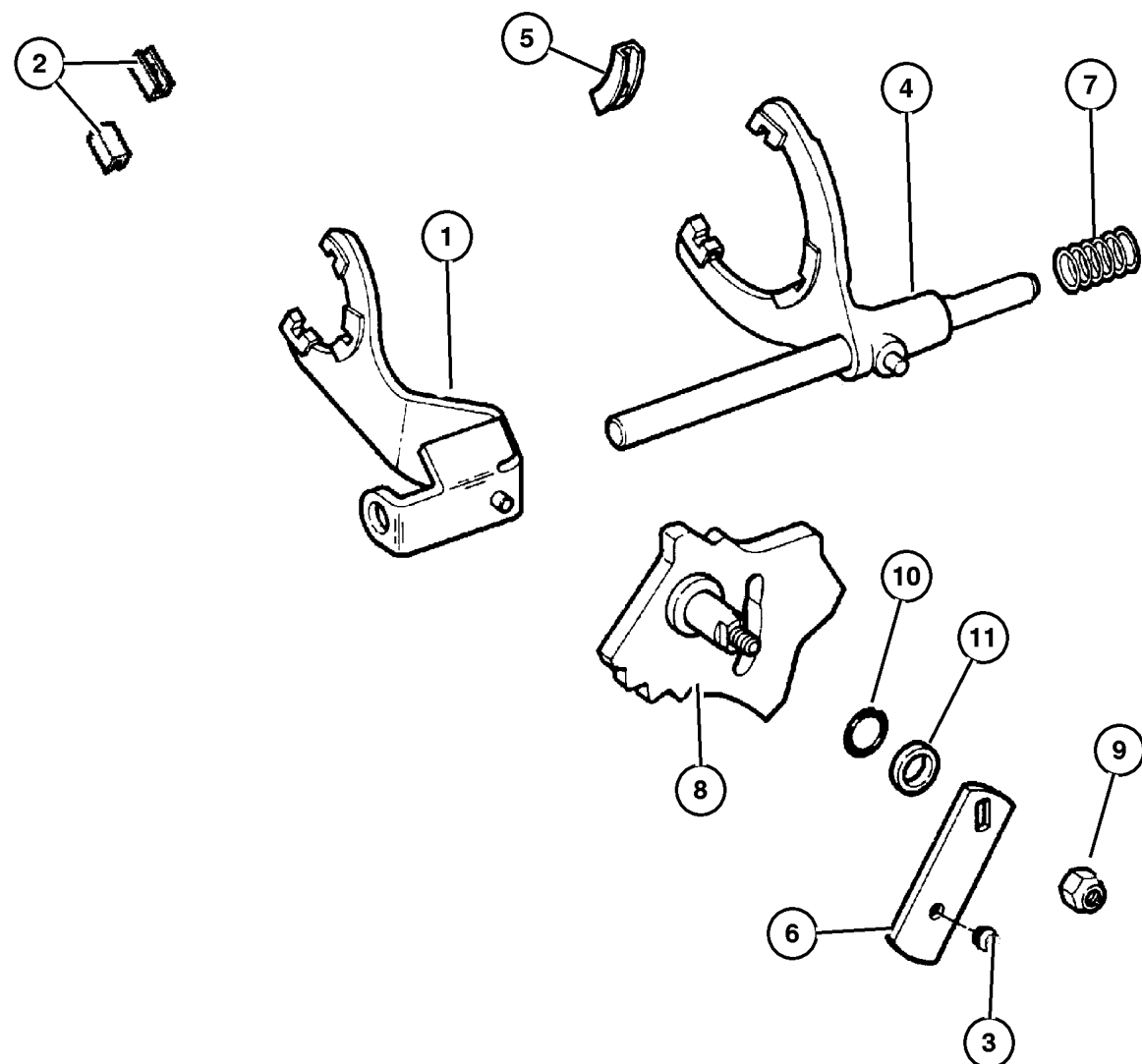
**JEEP WRANGLER (TJ)**

|             |                        |              |                       |                              |
|-------------|------------------------|--------------|-----------------------|------------------------------|
| SERIES      | LINE                   | BODY         | ENGINE                | TRANSMISSION                 |
| H = Sport   | J = Wrangler 4WD       | 77 = 93.4 WB | ED1, ED0 = 2.4L DOHC  | DGG, DGD = 32RH 3 Spd. Auto. |
| L = SE      | U = Wrangler 4WD (RHD) |              | ERH = 4.0L Power Tech | DDD = 5 Speed HD Manual      |
| M = X       |                        |              |                       | DG0 = Auto. Trans.           |
| P = Sahara  |                        |              |                       | DBB = Manual Trans.          |
| S = Rubicon |                        |              |                       | DDK = 5 Speed Manual         |

AR = Use as required - = Non illustrated part # = New this model year

August 27, 2004

Forks and Rails, Command Trac [DHN]  
Figure 231-910



| ITEM   | PART NUMBER | QTY | LINE | SERIES | BODY | ENGINE | TRANS | TRIM | DESCRIPTION                    |
|--|-------------|-----|------|--------|------|--------|-------|------|--------------------------------|
| NOTE; Sales Code                               |             |     |      |        |      |        |       |      |                                |
| [DEH] = Six Speed Manual Transmission NSG 370  |             |     |      |        |      |        |       |      |                                |
| [DG0] = All Automatic Transmissions            |             |     |      |        |      |        |       |      |                                |
| [ED0]=All 2.2,2.4,2.5,L 4 Cylinder Gas Engines |             |     |      |        |      |        |       |      |                                |
| [ER0]=All 4.0L 6 Cylinder Gas Engines          |             |     |      |        |      |        |       |      |                                |
| 1  | 4798 136    | 1   |      |        |      |        |       |      | FORK, Range                    |
| 2  | 4167 969    | 2   |      |        |      |        |       |      | PAD, Shift Fork                |
| 3  | 5300 4810   | 1   |      |        |      |        |       |      | BUSHING, Shift Lever           |
| 4  | 4741 237    | 1   |      |        |      |        |       |      | FORK, Transfer Case Mode Shift |
| 5  | 4219 073    | 1   |      |        |      |        |       |      | PAD, Shift Fork                |
| 6  | 5086 382AB  | 1   |      |        |      |        |       |      | LEVER, Selector                |
| 7  | 4338 925    | 1   |      |        |      |        |       |      | SPRING, Mode Shift Rail        |
| 8  | 4638 845    | 1   |      |        |      |        |       |      | SECTOR, Transfer Case          |
| 9  | 6030 310    | 1   |      |        |      |        |       |      | NUT                            |
| 10   | 4167 963    | 1   |      |        |      |        |       |      | SEAL, O-Ring                   |
| 11   | 4167 964    | 1   |      |        |      |        |       |      | SEAL, O-Ring                   |

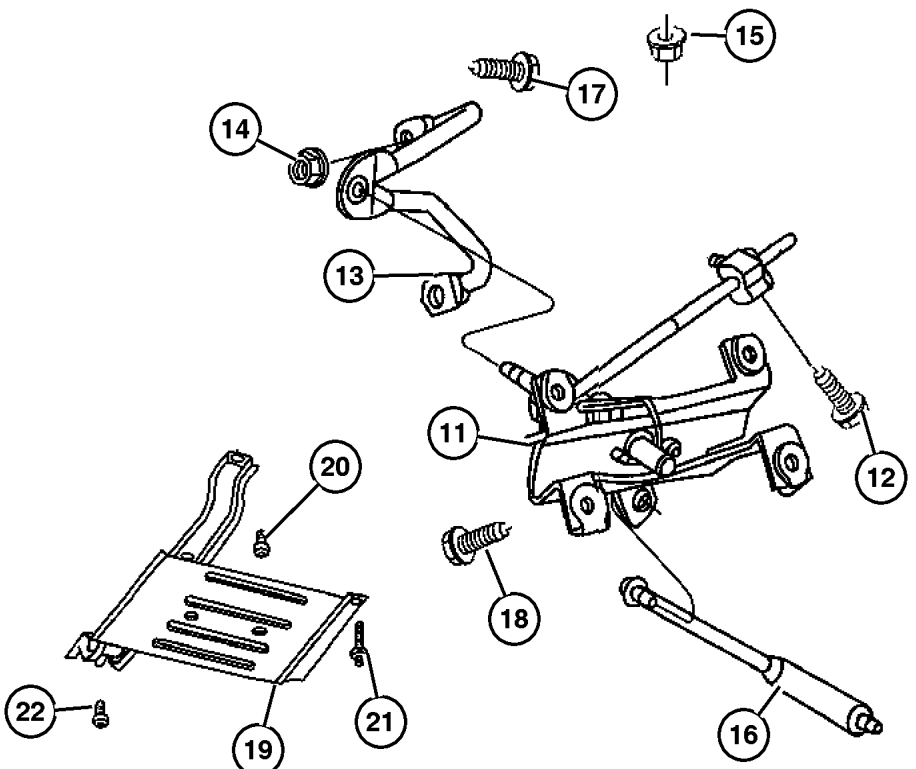
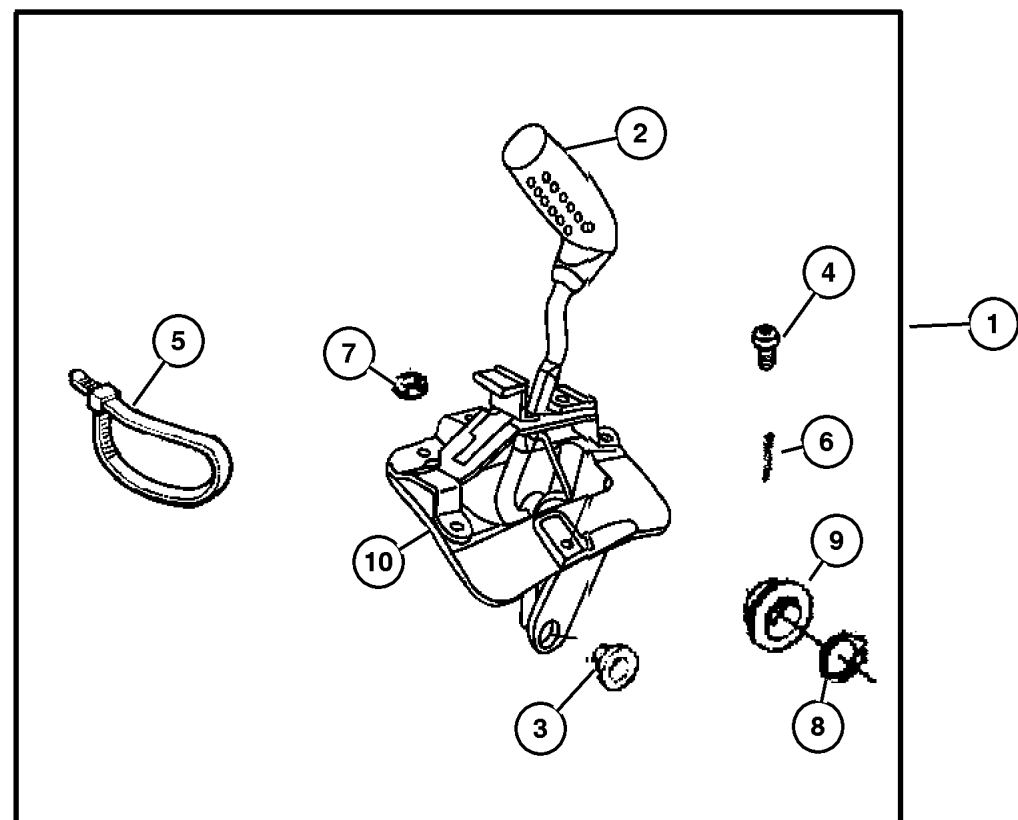
JEEP WRANGLER (TJ)

|             |                        |              |                       |                              |
|-------------|------------------------|--------------|-----------------------|------------------------------|
| SERIES      | LINE                   | BODY         | ENGINE                | TRANSMISSION                 |
| H = Sport   | J = Wrangler 4WD       | 77 = 93.4 WB | ED1, ED0 = 2.4L DOHC  | DGG, DGD = 32RH 3 Spd. Auto. |
| L = SE      | U = Wrangler 4WD (RHD) |              | ERH = 4.0L Power Tech | DDD = 5 Speed HD Manual      |
| M = X       |                        |              |                       | DG0 = Auto. Trans.           |
| P = Sahara  |                        |              |                       | DBB = Manual Trans.          |
| S = Rubicon |                        |              |                       | DDK = 5 Speed Manual         |

AR = Use as required - = Non illustrated part # = New this model year

August 27, 2004

**Gearshift Controls, Skid Plate, Command Trac [DHN]  
Figure 231-1210**



| ITEM | PART NUMBER | QTY | LINE | SERIES | BODY | ENGINE | TRANS | TRIM | DESCRIPTION |
|------|-------------|-----|------|--------|------|--------|-------|------|-------------|
|------|-------------|-----|------|--------|------|--------|-------|------|-------------|

NOTE; Sales Code  
 [DBB] = All Manual Transmissions  
 [DEH] = Six Speed Manual Transmission NSG 370  
 [DG0] = All Automatic Transmissions  
 [ED0]=All 2.2,2.4,2.5,L 4 Cylinder Gas Engines  
 [ER0]=All 4.0L 6 Cylinder Gas Engines

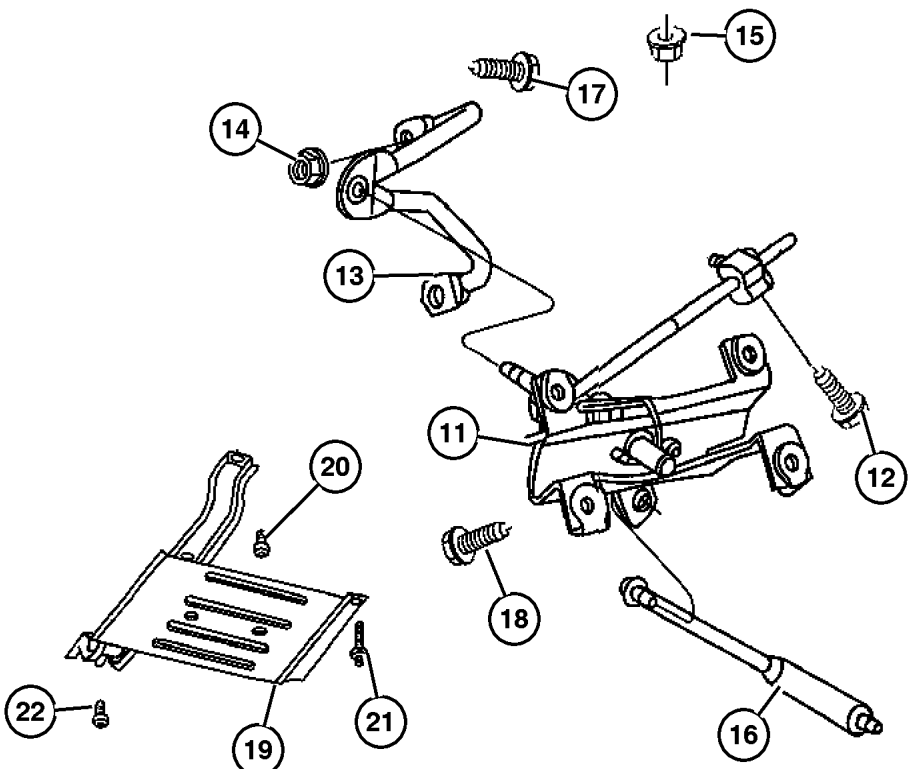
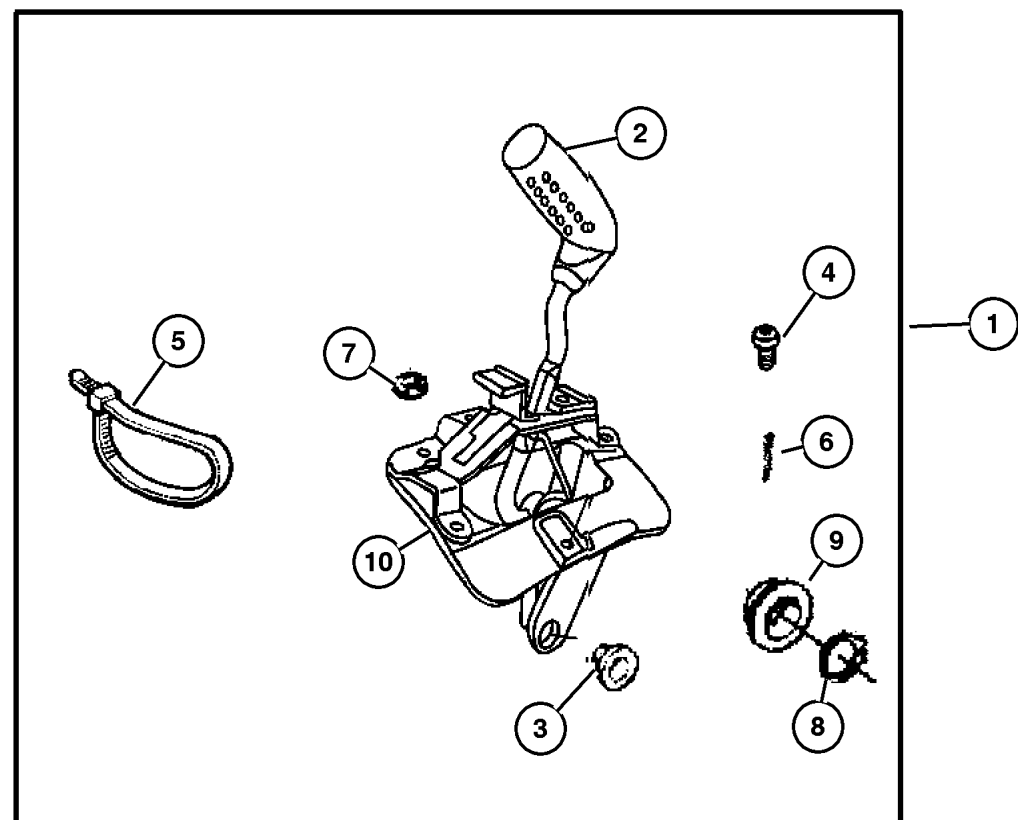
|    |             |   |   |  |  |     |  |  |                                     |
|----|-------------|---|---|--|--|-----|--|--|-------------------------------------|
| 1  |             |   |   |  |  |     |  |  | SHIFTER, Transfer Case              |
|    | 52104 080AF | 1 | J |  |  |     |  |  |                                     |
|    | 52104 081AF | 1 | U |  |  |     |  |  |                                     |
| 2  |             |   |   |  |  |     |  |  | LEVER, Transfer Case Shifter        |
|    | 53005 150AB | 1 | J |  |  |     |  |  |                                     |
|    |             | 1 | U |  |  |     |  |  |                                     |
| 3  | 3575 333    | 1 | J |  |  |     |  |  | GROMMET                             |
| 4  |             |   |   |  |  |     |  |  | FASTENER, Push On                   |
|    | 5207 7671   | 1 | J |  |  |     |  |  |                                     |
|    |             | 1 | U |  |  |     |  |  |                                     |
| 5  |             |   |   |  |  |     |  |  | STRAP, Retaining                    |
|    | J369 3058   | 1 | J |  |  |     |  |  |                                     |
|    |             | 1 | U |  |  |     |  |  |                                     |
| 6  |             |   |   |  |  |     |  |  | PIN, Cotter                         |
|    | J400 6723   | 1 | J |  |  |     |  |  |                                     |
|    |             | 1 | U |  |  |     |  |  |                                     |
| 7  |             |   |   |  |  |     |  |  | NUT, Push, M5                       |
|    | 6100 839    | 2 | J |  |  |     |  |  |                                     |
|    |             | 2 | U |  |  |     |  |  |                                     |
| 8  |             |   |   |  |  |     |  |  | SNAP RING                           |
|    | 1150 5389   | 1 | J |  |  |     |  |  |                                     |
|    |             | 1 | U |  |  |     |  |  |                                     |
| 9  |             |   |   |  |  |     |  |  | BUSHING, Shift Control              |
|    | 5300 0639   | 2 | J |  |  |     |  |  |                                     |
|    |             | 2 | U |  |  |     |  |  |                                     |
| 10 |             |   |   |  |  |     |  |  | HOUSING, Shift Lever                |
|    | 5300 1284   | 1 | J |  |  |     |  |  |                                     |
|    |             | 1 | U |  |  |     |  |  |                                     |
| 11 | 52059 692AA | 1 |   |  |  |     |  |  | BRACKET, Torque Shaft               |
| 12 | J941 9683   | 1 |   |  |  |     |  |  | BOLT, Hex Flange Head, .312-18x.625 |
| 13 |             |   |   |  |  |     |  |  | ROD, Torque Shaft                   |
|    | 52109 743AC | 1 |   |  |  | ED0 |  |  | [Pivot]                             |
|    | 52109 744AB | 1 |   |  |  | ED0 |  |  | [Pivot]                             |
|    | 52109 745AB | 1 |   |  |  | ER0 |  |  | [Pivot]                             |

**JEEP WRANGLER (TJ)**  
 SERIES LINE BODY ENGINE TRANSMISSION  
 H = Sport J = Wrangler 4WD 77 = 93.4 WB ED1, ED0 = 2.4L DOHC DGG, DGD = 32RH 3 Spd.  
 L = SE U = Wrangler 4WD (RHD) ERH = 4.0L Power Tech Auto.  
 M = X  
 P = Sahara  
 S = Rubicon  
 DDD = 5 Speed HD Manual  
 DG0 = Auto. Trans.  
 DBB = Manual Trans.  
 DDK = 5 Speed Manual

AR = Use as required - = Non illustrated part # = New this model year

August 27, 2004

**Gearshift Controls, Skid Plate, Command Trac [DHN]  
Figure 231-1210**



| ITEM | PART NUMBER | QTY | LINE | SERIES | BODY | ENGINE | TRANS | TRIM | DESCRIPTION                                    |
|------|-------------|-----|------|--------|------|--------|-------|------|--|
| 14   |             |     |      |        |      |        |       |      | NUT AND CONED WASHER, Hex, .375-24             |
|      | J400 6681   | 6   |      |        |      | ED0    |       |      |  |
|      |             | 6   |      |        |      | ED0    |       |      |  |
|      |             | 6   |      |        |      | ER0    |       |      |  |
| 15   | 6504 601    | 5   |      |        |      |        |       |      | NUT, Rivet Round, M5x0.80x11.09                |
| 16   |             |     |      |        |      |        |       |      | ROD, Gear Shift Control, Transfer Case [Lever] |
|      | 52078 904AC | 1   |      |        |      | ER0    |       |      |  |
|      | 52104 918AD | 1   |      |        |      | ED0    |       |      | [Lever]  |
|      | 52109 918AB | 1   |      |        |      | ED0    |       |      | [Lever]  |
| 17   | 6101 503    | 2   |      |        |      | ED0    |       |      | SCREW AND WASHER, Hex Head, M10x1.5x25         |
| 18   | 6503 811    | 4   |      |        |      |        |       |      | BOLT, Hex Head, M6x1.00x20.00                  |
| 19   | 52059 506AB | 1   |      |        |      |        |       |      | SKID PLATE, Front                              |
| 20   | 6507 904AA  | 2   |      |        |      |        |       |      | SCREW  |
| 21   | 6503 692    | 2   |      |        |      | ED0    |       |      | SCREW, M8-1.25                                 |
| 22   | 6506 629AA  | 2   |      |        |      |        |       |      | NUT, Rivet                                     |

**JEEP WRANGLER (TJ)**

|             |                        |              |                       |                              |
|-------------|------------------------|--------------|-----------------------|------------------------------|
| SERIES      | LINE                   | BODY         | ENGINE                | TRANSMISSION                 |
| H = Sport   | J = Wrangler 4WD       | 77 = 93.4 WB | ED1, ED0 = 2.4L DOHC  | DGG, DGD = 32RH 3 Spd. Auto. |
| L = SE      | U = Wrangler 4WD (RHD) |              | ERH = 4.0L Power Tech | DDD = 5 Speed HD Manual      |
| M = X       |                        |              |                       | DG0 = Auto. Trans.           |
| P = Sahara  |                        |              |                       | DBB = Manual Trans.          |
| S = Rubicon |                        |              |                       | DDK = 5 Speed Manual         |

AR = Use as required - = Non illustrated part # = New this model year

August 27, 2004

# Group – 241

## Transfer Case Model 241

### GROUP 241 - Transfer Case Model 241

Illustration Title

Group-Fig. No.

#### Transfer Case Assembly

Transfer Case [DHW] ..... Fig. 241-110

#### Case and Related Parts

Case Transfer and Related Parts [DHW] ..... Fig. 241-210

#### Gear Train

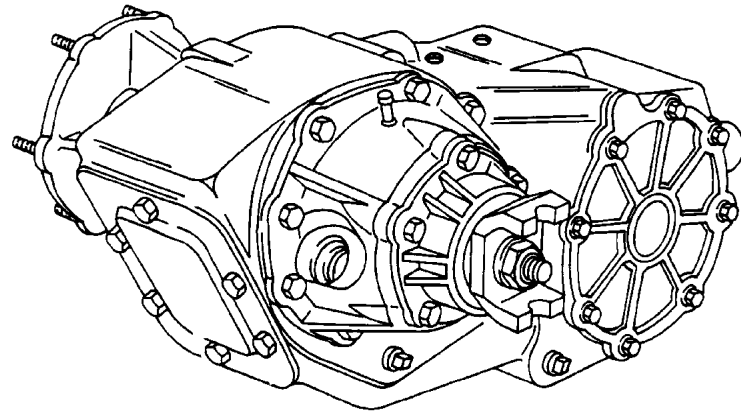
Gear Train [DHW] ..... Fig. 241-410

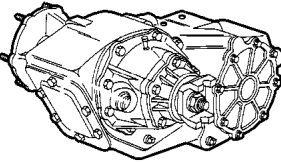
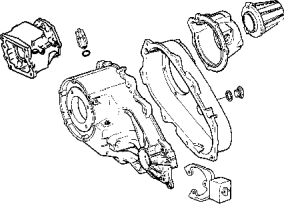
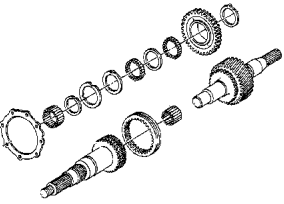
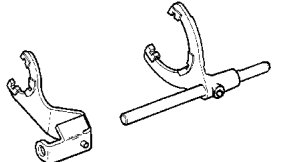
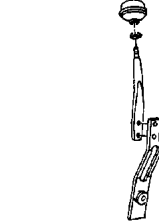
#### Fork and Rails

Forks [DHW] ..... Fig. 241-910

#### Gearshift Controls

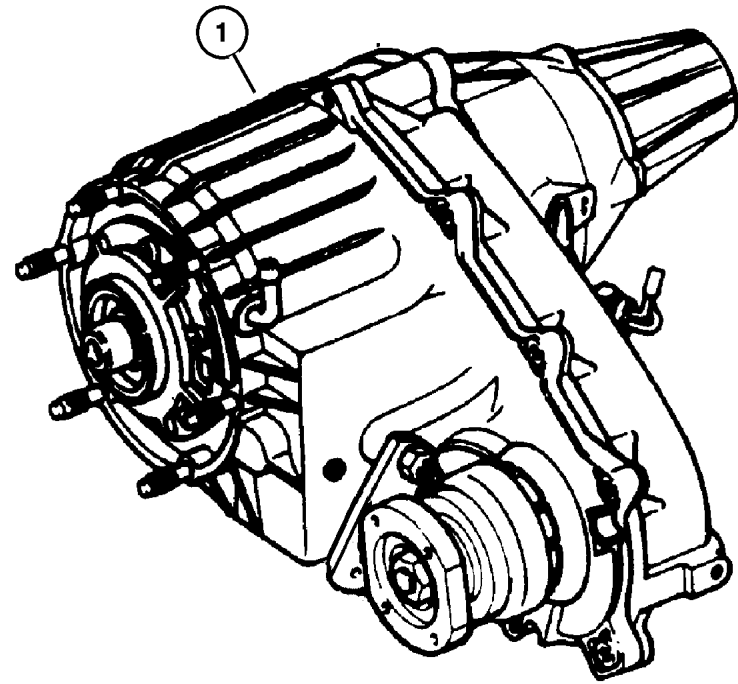
Controls and Skid Plate, [DHW] ..... Fig. 241-1210



|  |  |   |  |
|--|--|---|--|
| <p><b>241-100</b><br/>Transfer Case Assembly</p>  | <p><b>241-200</b><br/>Case and Related Parts</p>  | <p><b>241-400</b><br/>Gear Train</p>  | <p><b>241-900</b><br/>Fork and Rails</p>  |
| <p><b>241-1200</b><br/>Gearshift Controls</p>     |  |   |  |

Transfer Case [DHW]  
Figure 241-110

| ITEM   | PART NUMBER | QTY | LINE | SERIES | BODY | ENGINE | TRANS | TRIM | DESCRIPTION          |
|--|-------------|-----|------|--------|------|--------|-------|------|----------------------|
| NOTE; Sales Code                               |             |     |      |        |      |        |       |      |                      |
| [DEH] = Six Speed Manual Transmission NSG 370  |             |     |      |        |      |        |       |      |                      |
| [DG0] = All Automatic Transmissions            |             |     |      |        |      |        |       |      |                      |
| [ED0]=All 2.2,2.4,2.5,L 4 Cylinder Gas Engines |             |     |      |        |      |        |       |      |                      |
| [ER0]=All 4.0L 6 Cylinder Gas Engines          |             |     |      |        |      |        |       |      |                      |
| 1  | 52111 013AD | 1   |      |        |      |        |       |      | TRANSFER CASE, NP241 |

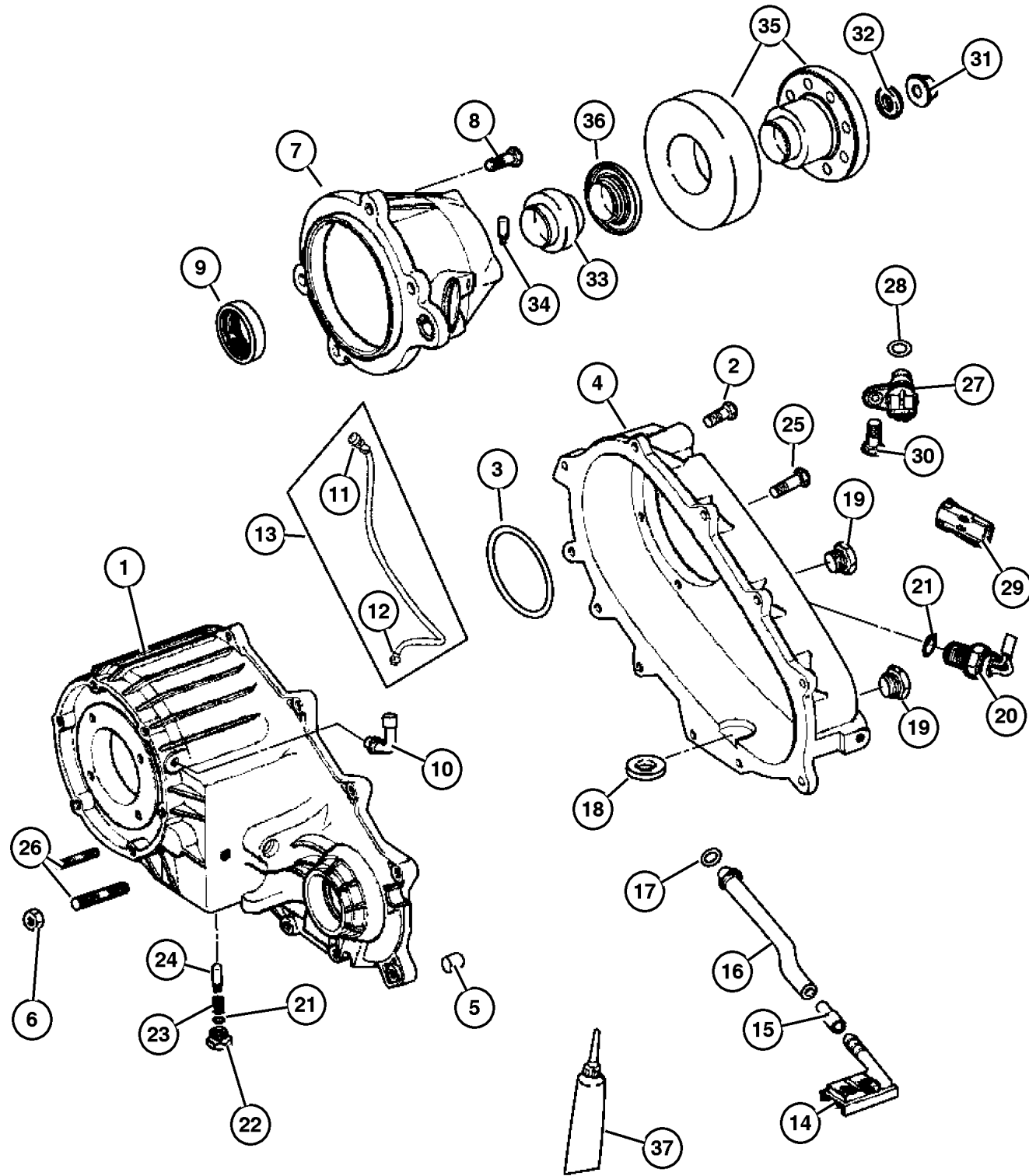


| JEEP WRANGLER (TJ) |                        |              |                       |                              |
|--------------------|------------------------|--------------|-----------------------|------------------------------|
| SERIES             | LINE                   | BODY         | ENGINE                | TRANSMISSION                 |
| H = Sport          | J = Wrangler 4WD       | 77 = 93.4 WB | ED1, ED0 = 2.4L DOHC  | DGG, DGD = 32RH 3 Spd. Auto. |
| L = SE             | U = Wrangler 4WD (RHD) |              | ERH = 4.0L Power Tech | DDD = 5 Speed HD Manual      |
| M = X              |                        |              |                       | DG0 = Auto. Trans.           |
| P = Sahara         |                        |              |                       | DBB = Manual Trans.          |
| S = Rubicon        |                        |              |                       | DDK = 5 Speed Manual         |

AR = Use as required - = Non illustrated part # = New this model year

August 27, 2004

**Case Transfer and Related Parts [DHW]  
Figure 241-210**



| ITEM   | PART NUMBER | QTY | LINE | SERIES | BODY | ENGINE | TRANS | TRIM | DESCRIPTION                             |
|--|-------------|-----|------|--------|------|--------|-------|------|---|
| NOTE; Sales Code                               |             |     |      |        |      |        |       |      |   |
| [DEH] = Six Speed Manual Transmission NSG 370  |             |     |      |        |      |        |       |      |   |
| [DG0] = All Automatic Transmissions            |             |     |      |        |      |        |       |      |   |
| [ED0]=All 2.2,2.4,2.5,L 4 Cylinder Gas Engines |             |     |      |        |      |        |       |      |   |
| [ER0]=All 4.0L 6 Cylinder Gas Engines          |             |     |      |        |      |        |       |      |   |
| 1  | 5093 577AA  | 1   |      |        |      |        |       |      | CASE, Transfer Front                    |
| 2  | 6101 526    | 17  |      |        |      |        |       |      | BOLT, Transfer Case                     |
| 3  | 5093 595AA  | 1   |      |        |      |        |       |      | PLANETARY, Transfer Case                |
| 4  | 5093 603AA  | 1   |      |        |      |        |       |      | CASE, Transfer Rear                     |
| 5  | 5222 757    | 4   |      |        |      |        |       |      | DOWEL                                   |
| 6  |             |     |      |        |      |        |       |      | NUT AND CONED WASHER, Hex,<br>.375-24   |
|  | J400 6681   | 6   |      |        |      | ED0    |       |      |   |
|  |             | 6   |      |        |      | ER0    |       |      |   |
| 7  | 5093 606AA  | 1   |      |        |      |        |       |      | RETAINER, Transfer Case Rear            |
| 8  | 6501 371    | 18  |      |        |      |        |       |      | BOLT, Retainer                          |
| 9  | 5013 019AA  | 1   |      |        |      |        |       |      | SEAL, Output Shaft                      |
| 10   | 4796 910    | 1   |      |        |      |        |       |      | VENT, Transfer Case                     |
| 11   | 52105 882AA | 1   |      |        |      |        |       |      | HOSE, vent                              |
| 12   | 4213 328    | 1   |      |        |      |        |       |      | VENT, Cap                               |
| 13   | 6502 081    | 1   |      |        |      |        |       |      | CLAMP, Oil Cooler Line                  |
| 14   | 5012 326AA  | 1   |      |        |      |        |       |      | FILTER, Transfer Case Oil               |
| 15   | 5012 327AA  | 1   |      |        |      |        |       |      | CONNECTOR, Oil Tube Pickup              |
| 16   | 5080 223AA  | 1   |      |        |      |        |       |      | TUBE, Oil Pickup                        |
| 17   | 5013 016AB  | 1   |      |        |      |        |       |      | SEAL, Transfer Case                     |
| 18   | 5080 218AA  | 1   |      |        |      |        |       |      | MAGNET                                  |
| 19   | 4856 641    | 2   |      |        |      |        |       |      | PLUG, Oil Fill                          |
| 20   | 5083 138AA  | 1   |      |        |      |        |       |      | SWITCH, Transfer Case, 5 Position       |
| 21   | 4338 956    | 1   |      |        |      |        |       |      | SEAL, Vacuum Switch                     |
| 22   | 4886 473AA  | 1   |      |        |      |        |       |      | SCREW                                   |
| 23   | 5003 445AA  | 1   |      |        |      |        |       |      | SPRING, Poppet Plunger                  |
| 24   | 5003 444AA  | 1   |      |        |      |        |       |      | PLUNGER                                 |
| 25   | 5080 859AA  | 1   |      |        |      |        |       |      | BOLT, Hex Flange Head                   |
| 26   | 4746 253    | 6   |      |        |      |        |       |      | STUD                                    |
| 27   | 5033 202AB  | 1   |      |        |      |        |       |      | SENSOR, Vehicle Speed                   |
| 28   | 5093 612AA  | 1   |      |        |      |        |       |      | SEAL                                    |
| 29   | 5093 611AA  | 1   |      |        |      |        |       |      | BRACKET                                 |
| 30   | 5101 858AA  | 1   |      |        |      |        |       |      | BOLT, Retainer, Vehicle Speed<br>Sensor |
| 31   | 4167 924    | 1   |      |        |      |        |       |      | NUT, Transfer Case Yoke                 |
| 32   | 4210 973    | 1   |      |        |      |        |       |      | WASHER, Transfer Case Yoke              |
| 33   | 5139 919AA  | 1   |      |        |      |        |       |      | TONE RING, Sensor                       |

**JEEP WRANGLER (TJ)**

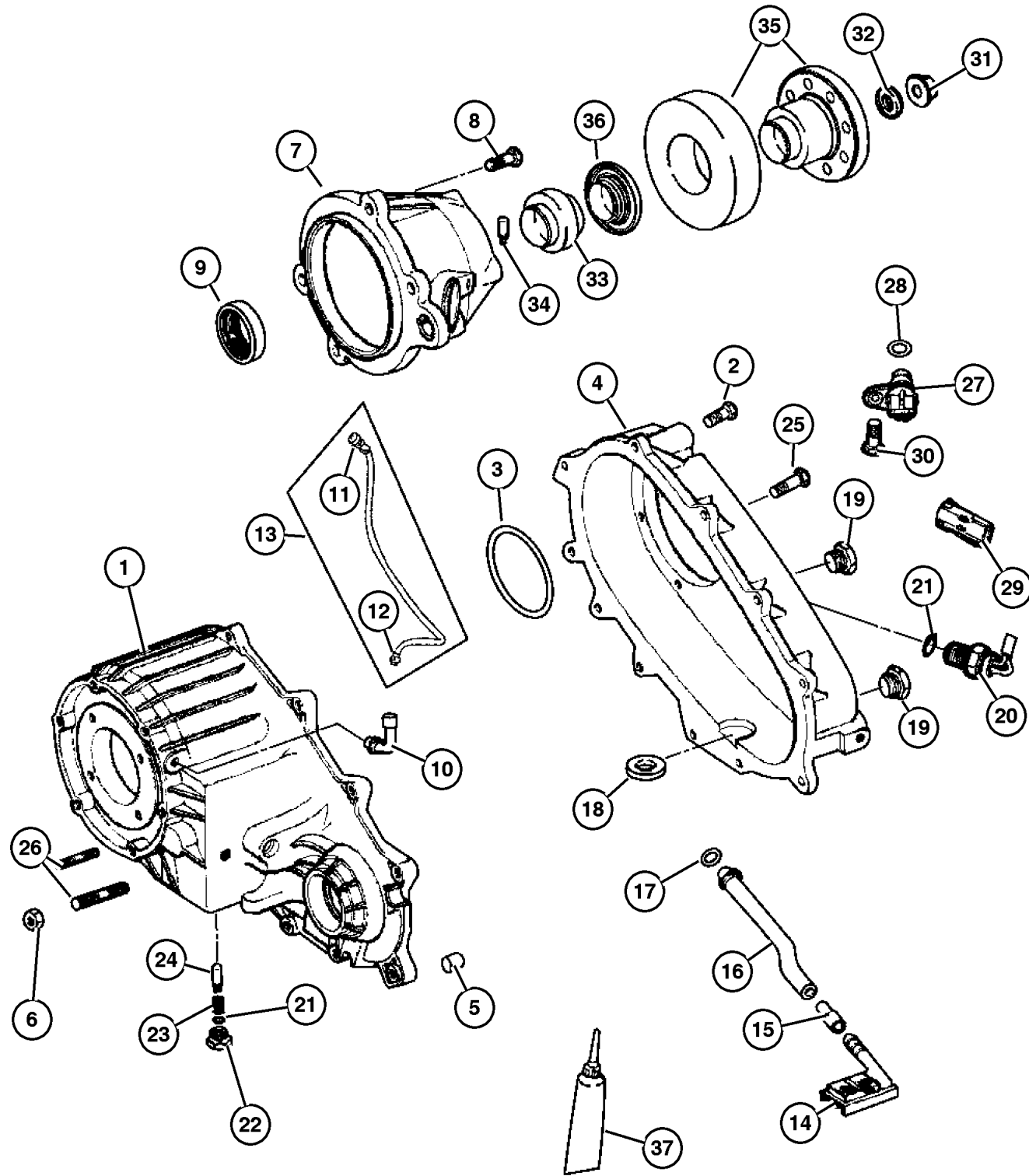
|             |                        |              |                       |                                 |
|-------------|------------------------|--------------|-----------------------|---------------------------------|
| SERIES      | LINE                   | BODY         | ENGINE                | TRANSMISSION                    |
| H = Sport   | J = Wrangler 4WD       | 77 = 93.4 WB | ED1, ED0 = 2.4L DOHC  | DGG, DGD = 32RH 3 Spd.<br>Auto. |
| L = SE      | U = Wrangler 4WD (RHD) |              | ERH = 4.0L Power Tech | DDD = 5 Speed HD Manual         |
| M = X       |                        |              |                       | DG0 = Auto. Trans.              |
| P = Sahara  |                        |              |                       | DBB = Manual Trans.             |
| S = Rubicon |                        |              |                       | DDK = 5 Speed Manual            |

AR = Use as required - = Non illustrated part # = New this model year

August 27, 2004



Case Transfer and Related Parts [DHW]  
Figure 241-210



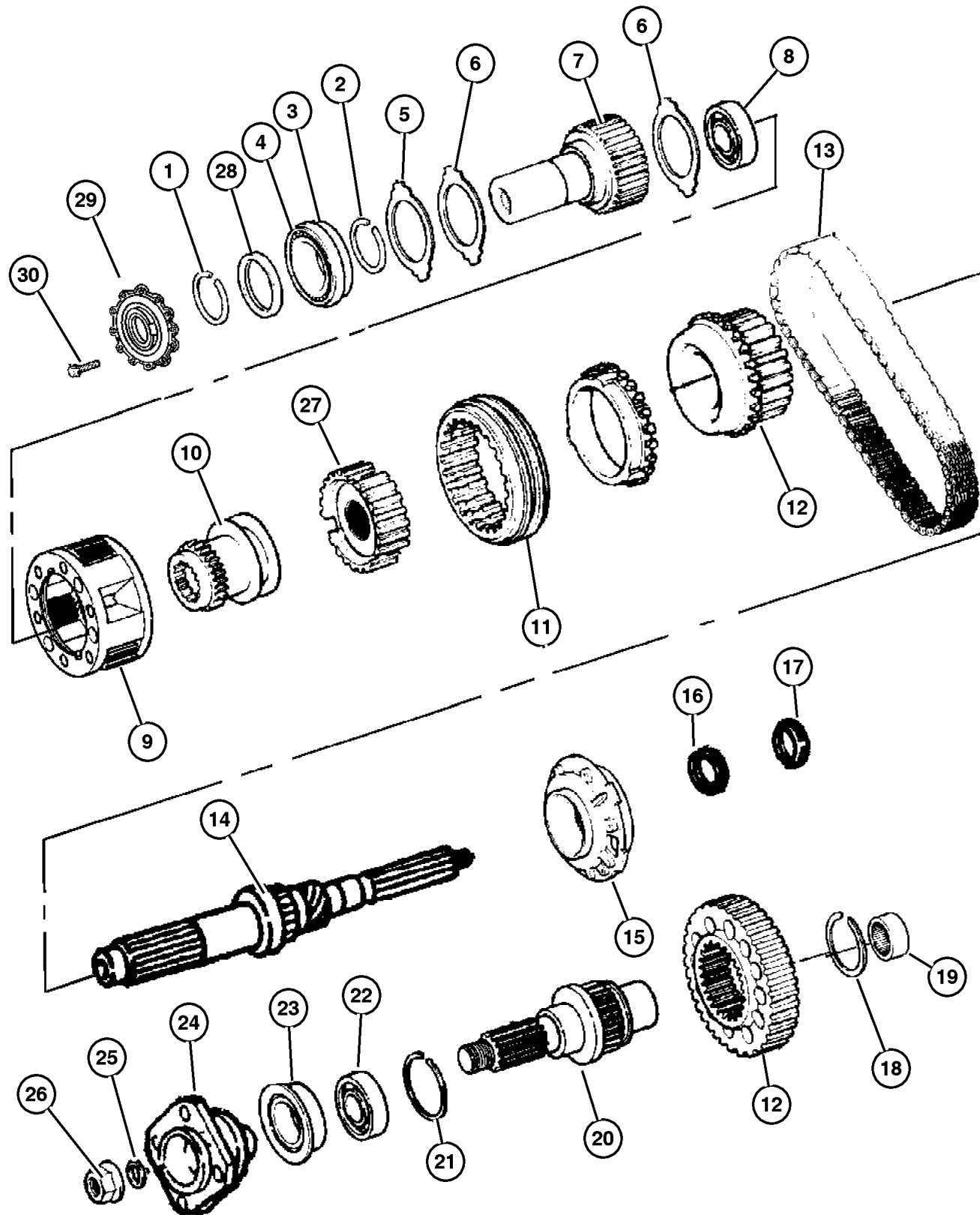
| ITEM | PART NUMBER | QTY | LINE | SERIES | BODY | ENGINE | TRANS | TRIM | DESCRIPTION                      |
|------|-------------|-----|------|--------|------|--------|-------|------|----------------------------------|
| 34   | 4761 140    | 1   |      |        |      |        |       |      | PIN, Mainshaft                   |
| 35   | 5093 604AA  | 1   |      |        |      |        |       |      | YOKE, Transfer Case Output, Rear |
| 36   | 5093 605AA  | 1   |      |        |      |        |       |      | SLEEVE, Wear                     |
| 37   | 5010 884AA  | 1   |      |        |      |        |       |      | SEALANT, RTV                     |

JEEP WRANGLER (TJ)  
 SERIES LINE BODY ENGINE TRANSMISSION  
 H = Sport J = Wrangler 4WD 77 = 93.4 WB ED1, ED0 = 2.4L DOHC DGG, DGD = 32RH 3 Spd.  
 L = SE U = Wrangler 4WD (RHD) ERH = 4.0L Power Tech Auto.  
 M = X  
 P = Sahara  
 S = Rubicon  
 DDD = 5 Speed HD Manual  
 DG0 = Auto. Trans.  
 DBB = Manual Trans.  
 DDK = 5 Speed Manual

AR = Use as required - = Non illustrated part # = New this model year

August 27, 2004

**Gear Train [DHW]  
Figure 241-410**



| ITEM   | PART NUMBER | QTY | LINE | SERIES | BODY | ENGINE | TRANS | TRIM | DESCRIPTION                          |
|--|-------------|-----|------|--------|------|--------|-------|------|--------------------------------------|
| NOTE; Sales Code                               |             |     |      |        |      |        |       |      |                                      |
| [DEH] = Six Speed Manual Transmission NSG 370  |             |     |      |        |      |        |       |      |                                      |
| [DG0] = All Automatic Transmissions            |             |     |      |        |      |        |       |      |                                      |
| [ED0]=All 2.2,2.4,2.5,L 4 Cylinder Gas Engines |             |     |      |        |      |        |       |      |                                      |
| [ER0]=All 4.0L 6 Cylinder Gas Engines          |             |     |      |        |      |        |       |      |                                      |
| 1  | 5072 460AA  | 1   |      |        |      |        |       |      | SNAP RING                            |
| 2  | 3821 558    | 1   |      |        |      |        |       |      | SNAP RING                            |
| 3  | 5072 458AA  | 1   |      |        |      |        |       |      | BEARING, Input Gear                  |
| 4  | 4746 127    | 1   |      |        |      |        |       |      | BEARING, Input Shaft                 |
| 5  | 5072 460AA  | 1   |      |        |      |        |       |      | SNAP RING                            |
| 6  | 5093 593AA  | 1   |      |        |      |        |       |      | THRUST WASHER, Planetary Carrier     |
| 7  | 5093 595AA  | 1   |      |        |      |        |       |      | PLANETARY, Transfer Case, Input Gear |
| 8  | 4897 981AA  | 1   |      |        |      |        |       |      | BEARING, Output Shaft                |
| 9  | 5093 595AA  | 1   |      |        |      |        |       |      | PLANETARY, Transfer Case             |
| 10   | 5093 600AA  | 1   |      |        |      |        |       |      | SLEEVE, Shift Range                  |
| 11   | 4796 909    | 1   |      |        |      |        |       |      | SLEEVE, Mode Synchronizer            |
| 12   | 5080 201AA  | 2   |      |        |      |        |       |      | SPROCKET, Transfer Case              |
| 13   | 5080 215AA  | 1   |      |        |      |        |       |      | CHAIN, Transfer Case                 |
| 14   | 5093 601AA  | 1   |      |        |      |        |       |      | MAINSHAFT, Transfer Case             |
| 15   | 5101 878AA  | 1   |      |        |      |        |       |      | HOUSING, Pump                        |
| 16   | 5101 879AA  | 1   |      |        |      |        |       |      | ROTOR, Inner                         |
| 17   | 5101 880AA  | 1   |      |        |      |        |       |      | ROTOR, Outer                         |
| 18   | 5080 503AA  | 1   |      |        |      |        |       |      | SNAP RING, Clutch Gear               |
| 19   | 4269 189    | 1   |      |        |      |        |       |      | BEARING, Output Shaft                |
| 20   | 5093 602AA  | 1   |      |        |      |        |       |      | OUTPUT SHAFT, Transfer Case          |
| 21   | 0893 31A    | 1   |      |        |      |        |       |      | SNAP RING                            |
| 22   | 4897 981AA  | 1   |      |        |      |        |       |      | BEARING, Output Shaft                |
| 23   | 4798 125    | 1   |      |        |      |        |       |      | SEAL, Output Shaft                   |
| 24   | 5093 604AA  | 1   |      |        |      |        |       |      | YOKE, Transfer Case Output           |
| 25   | 4210 973    | 1   |      |        |      |        |       |      | WASHER, Transfer Case Yoke           |
| 26   | 4167 924    | 1   |      |        |      |        |       |      | NUT, Transfer Case Yoke              |
| 27   | 5080 197AA  | 1   |      |        |      |        |       |      | HUB, Synchronizer                    |
| 28   | 5019 020AA  | 1   |      |        |      |        |       |      | SEAL, Input Gear                     |
| 29   | 5093 592AA  | 1   |      |        |      |        |       |      | RETAINER                             |
| 30   | 6501 371    | 18  |      |        |      |        |       |      | BOLT, Retainer                       |
| -31  | 4798 130    | 1   |      |        |      |        |       |      | SNAP RING                            |
| -32  | 5159 999AA  | 1   |      |        |      |        |       |      | GEAR, Clutch Drive                   |
| -33  | 5080 504AA  | 1   |      |        |      |        |       |      | HUB, Synchronizer                    |

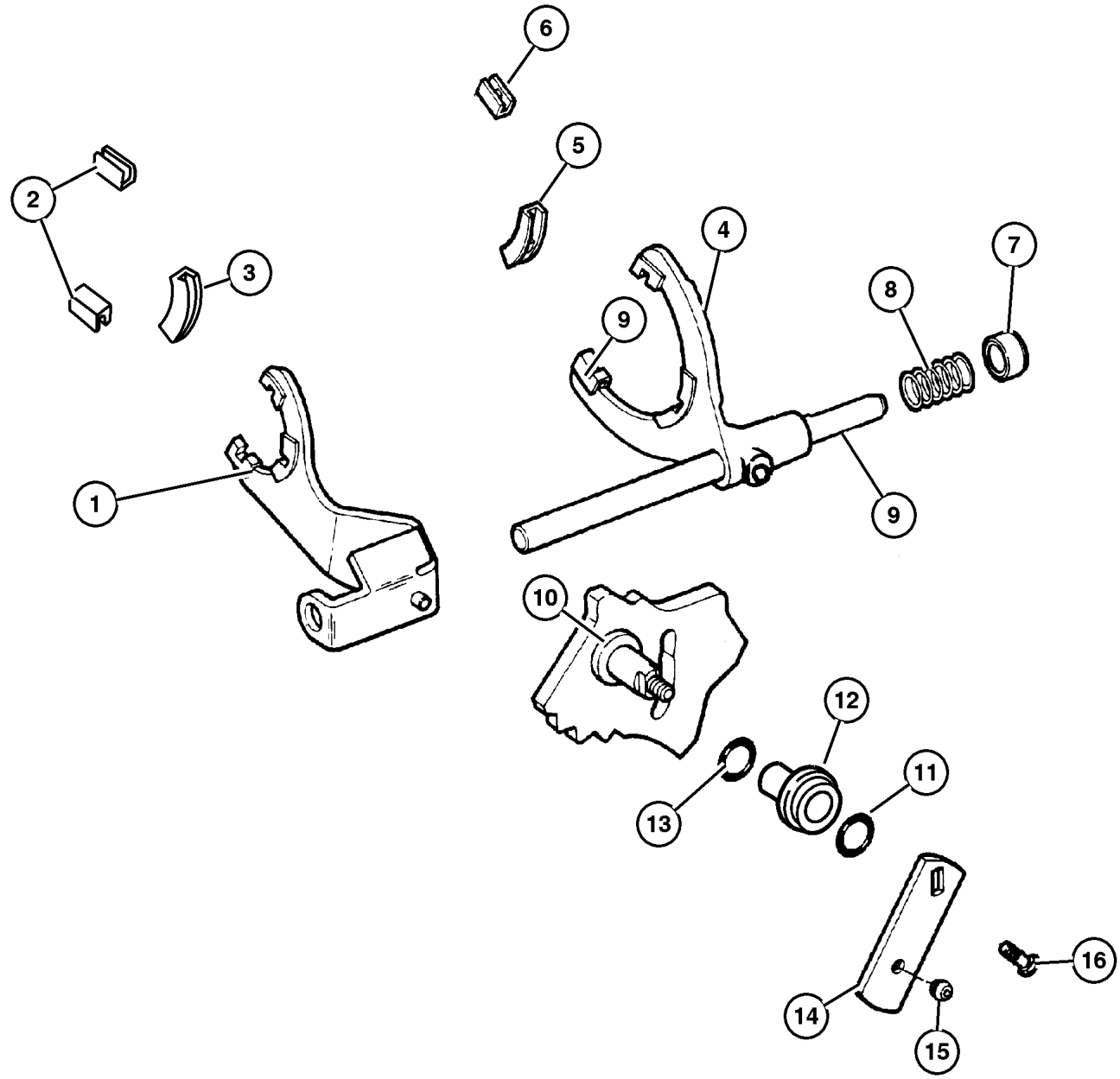
**JEEP WRANGLER (TJ)**

|             |                        |              |                       |                              |
|-------------|------------------------|--------------|-----------------------|------------------------------|
| SERIES      | LINE                   | BODY         | ENGINE                | TRANSMISSION                 |
| H = Sport   | J = Wrangler 4WD       | 77 = 93.4 WB | ED1, ED0 = 2.4L DOHC  | DGG, DGD = 32RH 3 Spd. Auto. |
| L = SE      | U = Wrangler 4WD (RHD) |              | ERH = 4.0L Power Tech | DDD = 5 Speed HD Manual      |
| M = X       |                        |              |                       | DG0 = Auto. Trans.           |
| P = Sahara  |                        |              |                       | DBB = Manual Trans.          |
| S = Rubicon |                        |              |                       | DDK = 5 Speed Manual         |

AR = Use as required - = Non illustrated part # = New this model year

August 27, 2004

## Forks [DHW] Figure 241-910

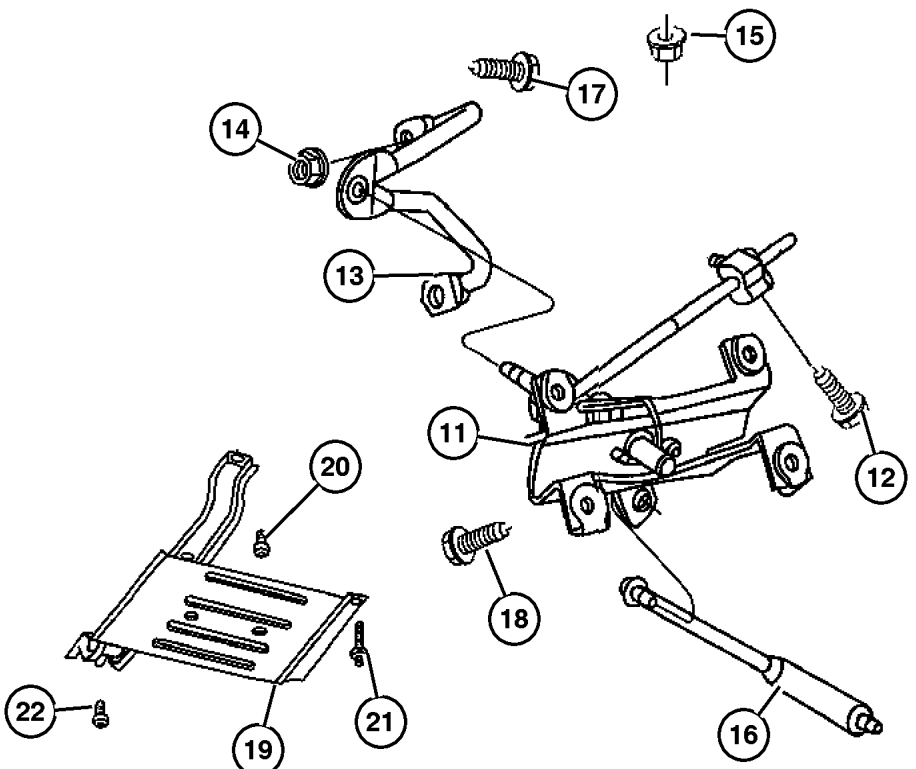
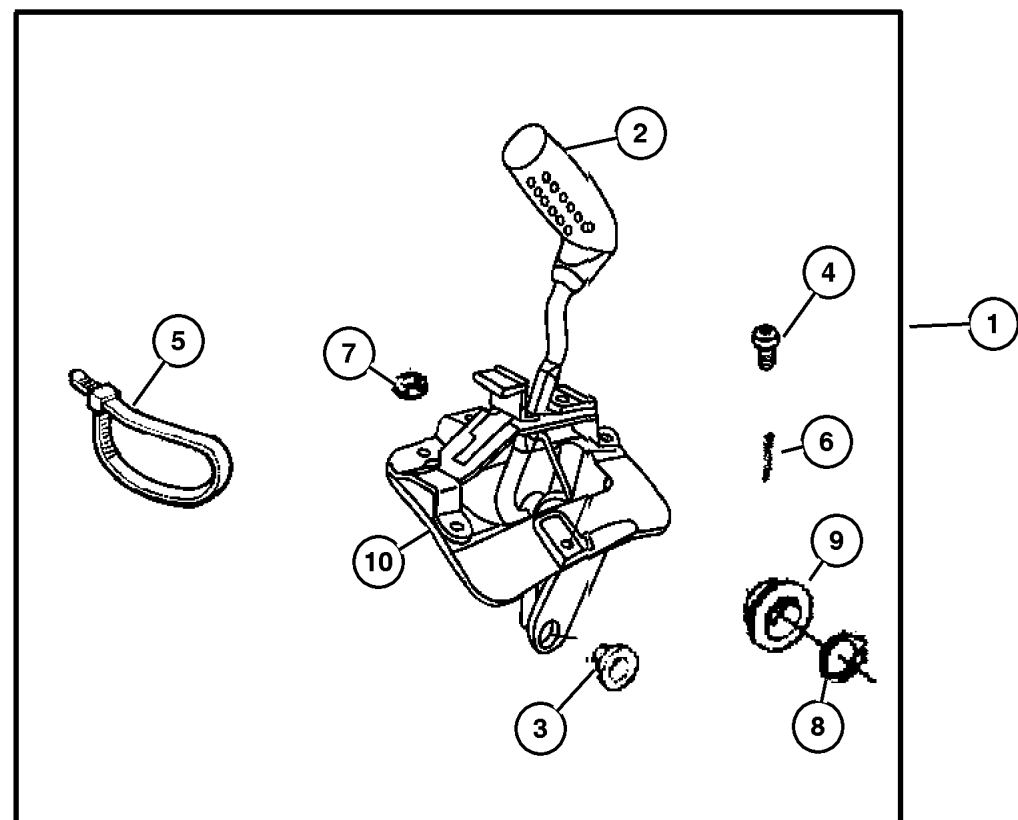


| ITEM   | PART NUMBER | QTY | LINE | SERIES | BODY | ENGINE | TRANS | TRIM | DESCRIPTION                    |
|--|-------------|-----|------|--------|------|--------|-------|------|--------------------------------|
| NOTE; Sales Code                               |             |     |      |        |      |        |       |      |                                |
| [DEH] = Six Speed Manual Transmission NSG 370  |             |     |      |        |      |        |       |      |                                |
| [DG0] = All Automatic Transmissions            |             |     |      |        |      |        |       |      |                                |
| [ED0]=All 2.2,2.4,2.5,L 4 Cylinder Gas Engines |             |     |      |        |      |        |       |      |                                |
| [ER0]=All 4.0L 6 Cylinder Gas Engines          |             |     |      |        |      |        |       |      |                                |
| 1  | 5093 596AA  | 1   |      |        |      |        |       |      | FORK, Range                    |
| 2  | 4167 969    | 2   |      |        |      |        |       |      | PAD, Shift Fork                |
| 3  | 5080 325AA  | 1   |      |        |      |        |       |      | PAD, Shift Fork                |
| 4  | 5093 597AA  | 1   |      |        |      |        |       |      | FORK, Transfer Case Mode Shift |
| 5  | 4219 073    | 1   |      |        |      |        |       |      | PAD, Shift Fork                |
| 6  | 4167 969    | 2   |      |        |      |        |       |      | PAD, Shift Fork                |
| 7  | 8350 3515   | 2   |      |        |      |        |       |      | CUP, Shift Fork Spring         |
| 8  | 0013 816    | 1   |      |        |      |        |       |      | SPRING, Mode Fork              |
| 9  | 5093 599AA  | 1   |      |        |      |        |       |      | RAIL, Transfer Case            |
| 10   | 5093 594AA  | 1   |      |        |      |        |       |      | SECTOR, Transfer Case          |
| 11   | 5014 046AA  | 1   |      |        |      |        |       |      | SEAL, Sector Shaft             |
| 12   | 5080 760AA  | 1   |      |        |      |        |       |      | SUPPORT, Gearshift Lever       |
| 13   | 5080 761AA  | 1   |      |        |      |        |       |      | SEAL, Gearshift Lever          |
| 14   | 5093 607AA  | 1   |      |        |      |        |       |      | LEVER, Selector                |
| 15   | 5300 4810   | 1   |      |        |      |        |       |      | BUSHING, Shift Lever           |
| 16   | 5093 608AA  | 1   |      |        |      |        |       |      | BOLT, Transfer Case            |

|                           |                        |              |                       |                              |
|---------------------------|------------------------|--------------|-----------------------|------------------------------|
| <b>JEEP WRANGLER (TJ)</b> |                        |              |                       |                              |
| SERIES                    | LINE                   | BODY         | ENGINE                | TRANSMISSION                 |
| H = Sport                 | J = Wrangler 4WD       | 77 = 93.4 WB | ED1, ED0 = 2.4L DOHC  | DGG, DGD = 32RH 3 Spd. Auto. |
| L = SE                    | U = Wrangler 4WD (RHD) |              | ERH = 4.0L Power Tech | DDD = 5 Speed HD Manual      |
| M = X                     |                        |              |                       | DG0 = Auto. Trans.           |
| P = Sahara                |                        |              |                       | DBB = Manual Trans.          |
| S = Rubicon               |                        |              |                       | DDK = 5 Speed Manual         |

AR = Use as required - = Non illustrated part # = New this model year

**Controls and Skid Plate, [DHW]  
Figure 241-1210**



| ITEM | PART NUMBER | QTY | LINE | SERIES | BODY | ENGINE | TRANS | TRIM | DESCRIPTION |
|------|-------------|-----|------|--------|------|--------|-------|------|-------------|
|------|-------------|-----|------|--------|------|--------|-------|------|-------------|

NOTE; Sales Code  
 [DBB] = All Manual Transmissions  
 [DEH] = Six Speed Manual Transmission NSG 370  
 [DG0] = All Automatic Transmissions  
 [ED0]=All 2.2,2.4,2.5,L 4 Cylinder Gas Engines  
 [ER0]=All 4.0L 6 Cylinder Gas Engines

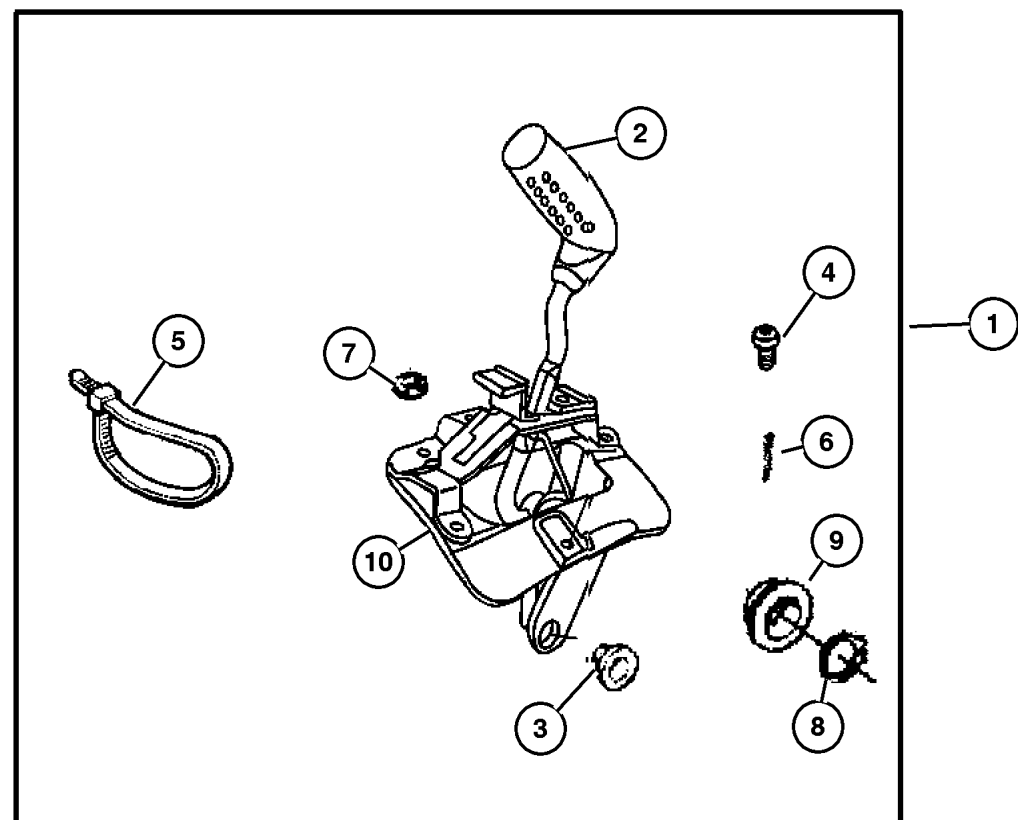
|    |             |   |   |  |  |     |  |  |                                     |
|----|-------------|---|---|--|--|-----|--|--|-------------------------------------|
| 1  |             |   |   |  |  |     |  |  | SHIFTER, Transfer Case              |
|    | 52104 080AF | 1 | J |  |  |     |  |  |                                     |
|    | 52104 081AF | 1 | U |  |  |     |  |  |                                     |
| 2  |             |   |   |  |  |     |  |  | LEVER, Transfer Case Shifter        |
|    | 53005 150AB | 1 | J |  |  |     |  |  |                                     |
|    |             | 1 | U |  |  |     |  |  |                                     |
| 3  | 3575 333    | 1 | J |  |  |     |  |  | GROMMET                             |
| 4  | 5207 7671   | 1 |   |  |  |     |  |  | FASTENER, Push On                   |
| 5  |             |   |   |  |  |     |  |  | STRAP, Retaining                    |
|    | J369 3058   | 1 | J |  |  |     |  |  |                                     |
|    |             | 1 | U |  |  |     |  |  |                                     |
| 6  | J400 6723   | 1 |   |  |  |     |  |  | PIN, Cotter                         |
| 7  | 6100 839    | 2 |   |  |  |     |  |  | NUT, Push, M5                       |
| 8  |             |   |   |  |  |     |  |  | SNAP RING                           |
|    | 1150 5389   | 1 | J |  |  |     |  |  |                                     |
|    |             | 1 | U |  |  |     |  |  |                                     |
| 9  |             |   |   |  |  |     |  |  | BUSHING, Shift Control              |
|    | 5300 0639   | 2 | J |  |  |     |  |  |                                     |
|    |             | 2 | U |  |  |     |  |  |                                     |
| 10 |             |   |   |  |  |     |  |  | HOUSING, Shift Lever                |
|    | 5300 1284   | 1 | J |  |  |     |  |  |                                     |
|    |             | 1 | U |  |  |     |  |  |                                     |
| 11 | 52109 695AA | 1 | J |  |  | ER0 |  |  | BRACKET, Torque Shaft               |
| 12 | J941 9683   | 1 |   |  |  |     |  |  | BOLT, Hex Flange Head, .312-18x.625 |
| 13 |             |   |   |  |  |     |  |  | ROD, Torque Shaft                   |
|    | 52109 743AC | 1 |   |  |  | ED0 |  |  | [Pivot]                             |
|    | 52109 744AB | 1 |   |  |  | ED0 |  |  | [Pivot]                             |
|    | 52109 745AB | 1 |   |  |  | ER0 |  |  | [Pivot]                             |
| 14 |             |   |   |  |  |     |  |  | NUT AND CONED WASHER, Hex, .375-24  |
|    | J400 6681   | 6 |   |  |  | ED0 |  |  |                                     |
|    |             | 6 |   |  |  | ED0 |  |  |                                     |
|    |             | 6 |   |  |  | ER0 |  |  |                                     |
| 15 | 6504 601    | 5 |   |  |  |     |  |  | NUT, Rivet Round, M5x0.80x11.09     |

**JEEP WRANGLER (TJ)**  
 SERIES LINE BODY ENGINE TRANSMISSION  
 H = Sport J = Wrangler 4WD 77 = 93.4 WB ED1, ED0 = 2.4L DOHC DGG, DGD = 32RH 3 Spd.  
 L = SE U = Wrangler 4WD (RHD) ERH = 4.0L Power Tech Auto.  
 M = X  
 P = Sahara  
 S = Rubicon  
 DDD = 5 Speed HD Manual  
 DG0 = Auto. Trans.  
 DBB = Manual Trans.  
 DDK = 5 Speed Manual

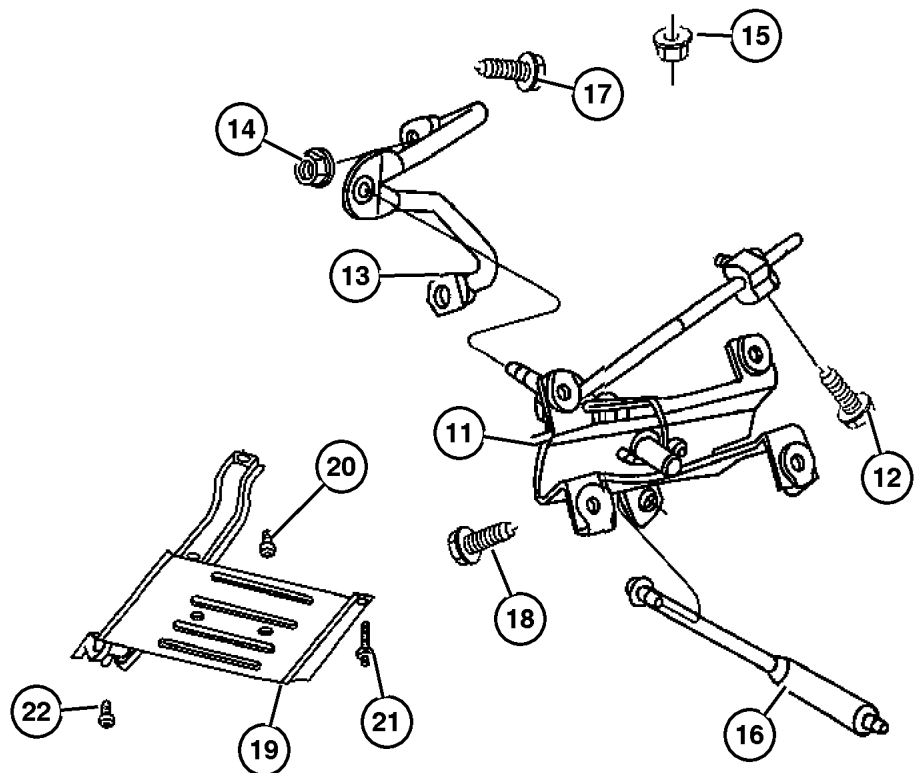
AR = Use as required - = Non illustrated part # = New this model year

August 27, 2004

Controls and Skid Plate, [DHW]  
Figure 241-1210



| ITEM | PART NUMBER | QTY | LINE | SERIES | BODY | ENGINE | TRANS | TRIM | DESCRIPTION                            |
|------|-------------|-----|------|--------|------|--------|-------|------|--|
| 16   | 52104 073AC | 1   | J    |        |      | ER0    |       |      | ROD, Gear Shift Control, Transfer Case |
| 17   | 6101 503    | 2   |      |        |      | ED0    |       |      | SCREW AND WASHER, Hex Head, M10x1.5x25 |
| 18   | 6503 811    | 4   |      |        |      |        |       |      | BOLT, Hex Head, M6x1.00x20.00          |
| 19   | 52059 506AB | 1   |      |        |      |        |       |      | SKID PLATE, Front                      |
| 20   | 6507 904AA  | 2   |      |        |      |        |       |      | SCREW                                  |
| 21   | 6503 692    | 2   |      |        |      | ED0    |       |      | SCREW, M8-1.25                         |
| 22   | 6506 629AA  | 2   |      |        |      |        |       |      | NUT, Rivet                             |



JEEP WRANGLER (TJ)  
 SERIES LINE BODY ENGINE TRANSMISSION  
 H = Sport J = Wrangler 4WD 77 = 93.4 WB ED1, ED0 = 2.4L DOHC DGG, DGD = 32RH 3 Spd.  
 L = SE U = Wrangler 4WD (RHD) ERH = 4.0L Power Tech Auto.  
 M = X  
 P = Sahara  
 S = Rubicon  
 DDD = 5 Speed HD Manual  
 DG0 = Auto. Trans.  
 DBB = Manual Trans.  
 DDK = 5 Speed Manual

AR = Use as required - = Non illustrated part # = New this model year

August 27, 2004

# Group – 21P

## Speedometer Pinions

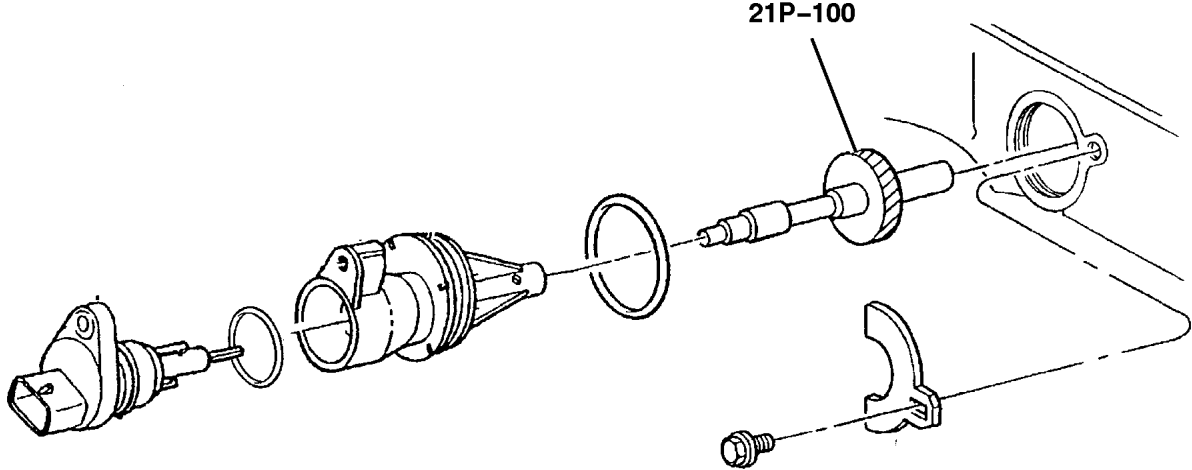
GROUP 21P - Speedometer Pinions

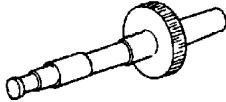
Illustration Title

Group-Fig. No.

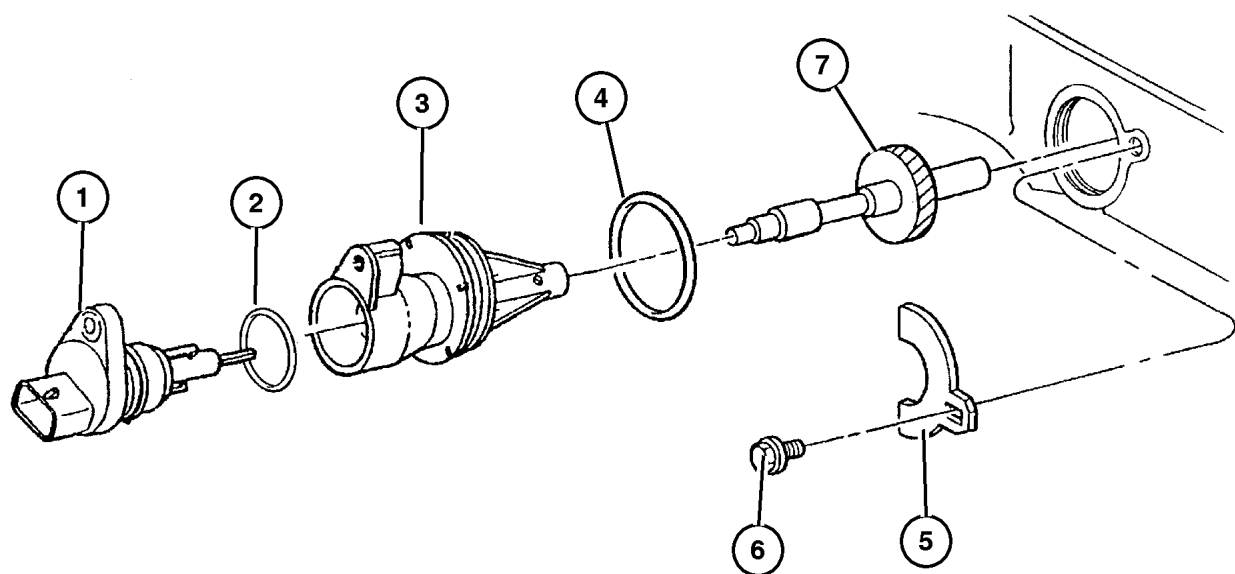
**Speedometer Pinions**

Speedometer Pinion & Housing ..... Fig. 21P-110



|   |  |  |  |
|---|--|--|--|
| <p><b>21P-100</b><br/>Speedometer Pinions</p>  |  |  |  |
|---|--|--|--|

## Speedometer Pinion & Housing Figure 21P-110



| ITEM   | PART NUMBER | QTY | LINE | SERIES        | BODY | ENGINE | TRANS | TRIM | DESCRIPTION                                |
|--|-------------|-----|------|---------------|------|--------|-------|------|--|
| NOTE:  |             |     |      |               |      |        |       |      |  |
| Sales Codes:                                     |             |     |      |               |      |        |       |      |  |
| [DGD]=3 Speed Automatic Transmission             |             |     |      |               |      |        |       |      |  |
| [DME]=3.73 Axle Ratio                            |             |     |      |               |      |        |       |      |  |
| [DMF]=4.11 Axle Ratio                            |             |     |      |               |      |        |       |      |  |
| [DMM]=3.07 Axle Ratio                            |             |     |      |               |      |        |       |      |  |
| [DMU]=4.56 Axle Ratio                            |             |     |      |               |      |        |       |      |  |
| [TMS]=P215/75R15 Raised Black Letters Tire       |             |     |      |               |      |        |       |      |  |
| [TPN]=205/75R15 [Wrangler RT] Tire               |             |     |      |               |      |        |       |      |  |
| [TRK]=P225/70R16 Black Sidewall All Terrain Tire |             |     |      |               |      |        |       |      |  |
| [TRN]=P225/70R16 Outside White Letter Tire       |             |     |      |               |      |        |       |      |  |
| [TUS]=30x9.5R15 Outside White Letter Tire        |             |     |      |               |      |        |       |      |  |
| [TY3]=P245/75r16 Black Sidewall Letter Tire      |             |     |      |               |      |        |       |      |  |
| [TZA]=[Goodyear] Brand Tire                      |             |     |      |               |      |        |       |      |  |
| [TM0]=All 215 Size Tires                         |             |     |      |               |      |        |       |      |  |
| [TP0]=All 205 Size Tires                         |             |     |      |               |      |        |       |      |  |
| [TR0]=All 225,245,255, R15/R16 Tires             |             |     |      |               |      |        |       |      |  |
| 1  | 5602 7905   | 1   |      | H, L, M,<br>P |      |        |       |      | SENSOR, Vehicle Speed                      |
| 2  | 4799 062    | 1   |      |               |      | ER0    |       |      | O RING                                     |
| 3  | 5206 9315   | 1   |      |               |      |        |       |      | HOUSING, Speedometer Drive Gear            |
| 4  | 6035 709    | 1   |      |               |      |        |       |      | O RING, Trans Speedo Adapter               |
| 5  | 2892 399    | 1   |      |               |      |        |       |      | CLAMP, Speedometer                         |
| 6  | 6022 225    | 1   |      |               |      |        |       |      | SCREW AND WASHER, Hex Head,<br>.312-18x.75 |
| 7  |             |     |      |               |      |        |       |      | PINION, Speedometer Drive                  |
|  | 5206 7628   | 1   |      |               |      |        |       |      | With [TUS+DMM]                             |
|  | 5206 7634   | 1   |      |               |      |        |       |      | With [TUS+DME+TZA]                         |
|  | 5206 7637   | 1   |      |               |      |        |       |      | With [TPN+DME+TZA] Or<br>[TPN+DME+TZA]     |
|  | 5206 7636   | 1   |      |               |      |        |       |      | With [TRN=TMS+DME+TZA]                     |
|  |             | 1   |      |               |      |        |       |      | With [TY3+DMF]                             |
|  | 5206 7638   | 1   |      |               |      |        |       |      | With [TUS+DMF]                             |
|  | 5206 7639   | 1   |      |               |      |        |       |      | With [TRN+DMF]                             |
|  | 5206 7629   | 1   |      |               |      |        |       |      | With [TRN=TRK+DMM]                         |
|  | 5206 7630   | 1   |      |               |      |        |       |      | With [TMS+DMM]                             |
|  | 5206 7640   | 1   |      |               |      |        |       |      | With [TMS+DMF]                             |
|  | 5206 7643   | 1   |      |               |      |        |       |      | With [TRN+DMU]                             |
|  | 5206 7644   | 1   |      |               |      |        |       |      | With [TMS+DMU]                             |
|  | 5206 7645   | 1   |      |               |      |        |       |      | With [TPN+DMU]                             |
|  | 5206 7641   | 1   |      |               |      |        |       |      | With [TPN+DMF]                             |

### JEEP WRANGLER (TJ)

| SERIES      | LINE                   | BODY         | ENGINE                | TRANSMISSION                    |
|-------------|------------------------|--------------|-----------------------|---------------------------------|
| H = Sport   | J = Wrangler 4WD       | 77 = 93.4 WB | ED1, ED0 = 2.4L DOHC  | DGG, DGD = 32RH 3 Spd.<br>Auto. |
| L = SE      | U = Wrangler 4WD (RHD) |              | ERH = 4.0L Power Tech | DDD = 5 Speed HD Manual         |
| M = X       |                        |              |                       | DG0 = Auto. Trans.              |
| P = Sahara  |                        |              |                       | DBB = Manual Trans.             |
| S = Rubicon |                        |              |                       | DDK = 5 Speed Manual            |

AR = Use as required - = Non illustrated part # = New this model year

August 27, 2004

# Group – 022

## Wheels, Covers and Jacks

### GROUP 22 - Wheels, Covers and Jacks

Illustration Title

Group-Fig. No.

#### Wheels and Hardware

Wheels ..... Fig. 022-110

#### Wheel Covers and Center Caps

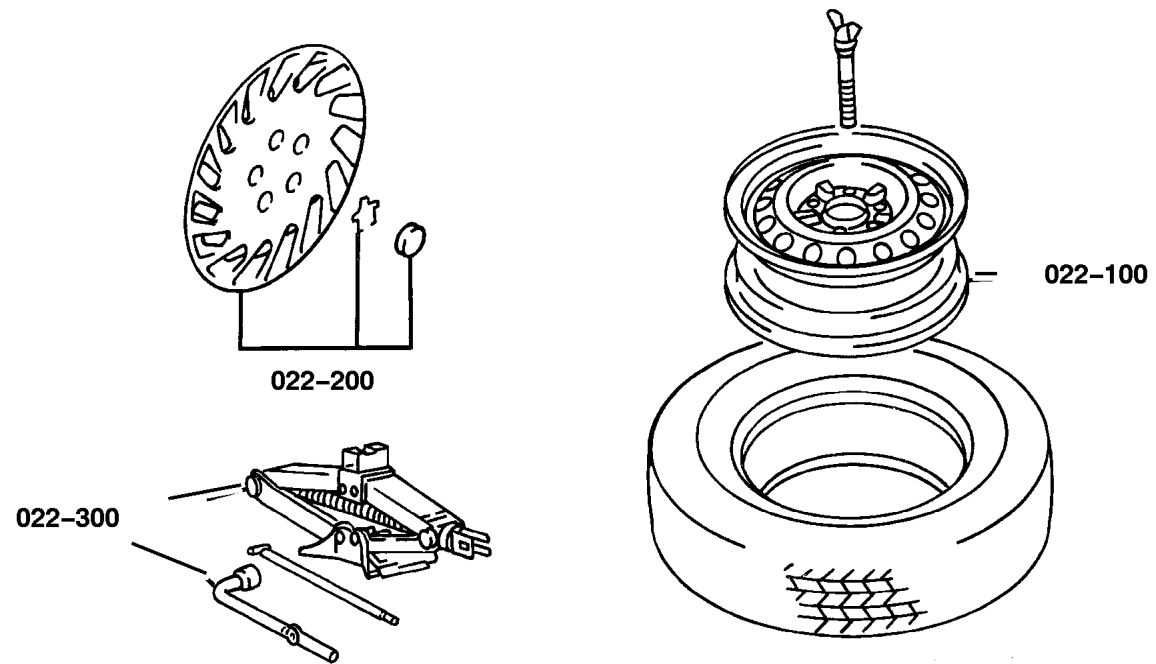
Caps And Covers ..... Fig. 022-210


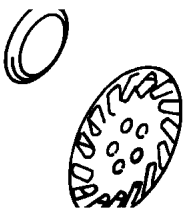
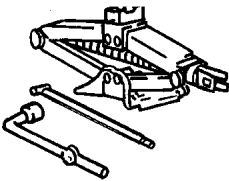
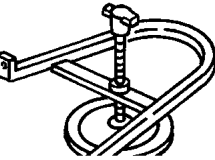
#### Jack Stowage

Jack And Storage ..... Fig. 022-310

#### Spare Tire Stowage

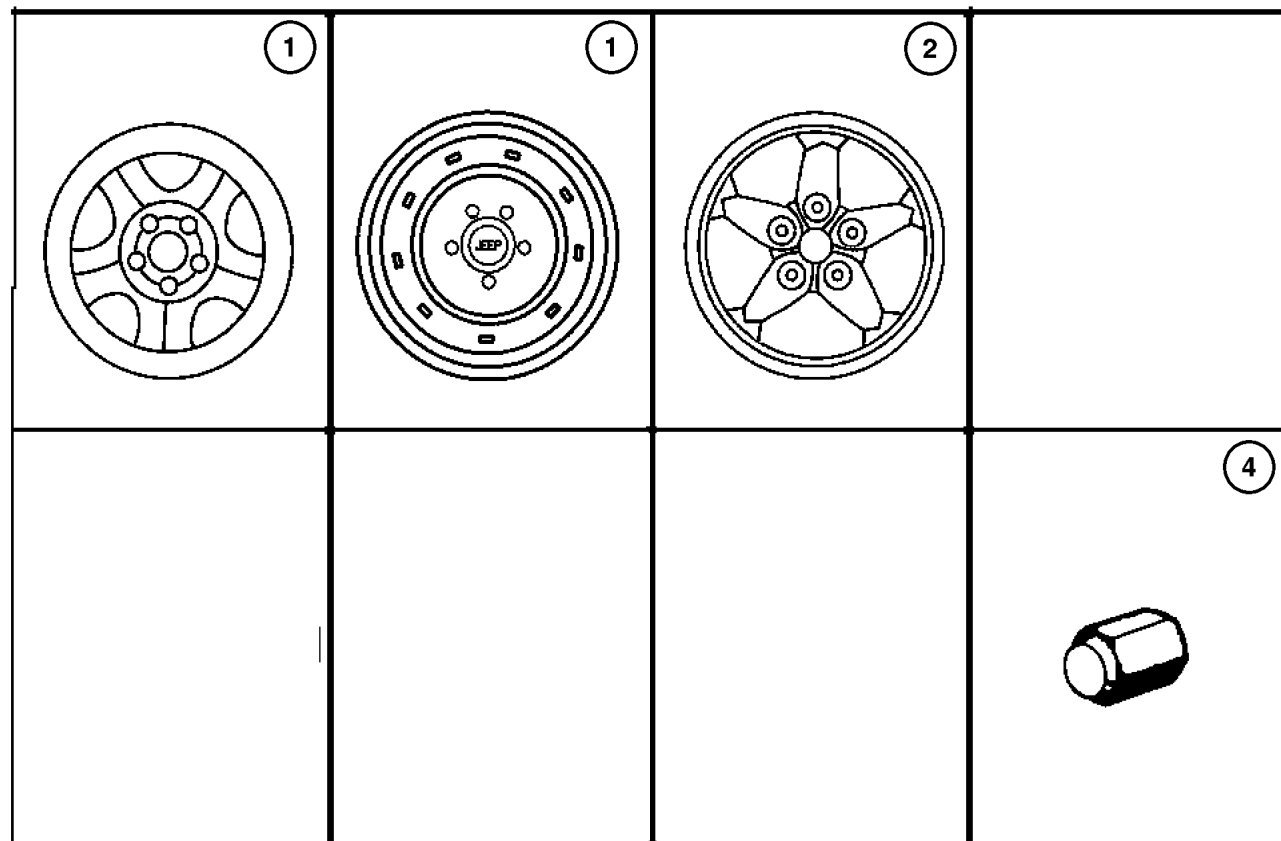
Wheel, Spare Tailgate Mounted ..... Fig. 022-410



|   |  |   |  |
|---|--|---|--|
| <p><b>022-100</b><br/>Wheels and Hardware</p>  | <p><b>022-200</b><br/>Wheel Covers and Center Caps</p>  | <p><b>022-300</b><br/>Jack Stowage</p>  | <p><b>022-400</b><br/>Spare Tire Stowage</p>  |
|---|--|---|--|



## Wheels Figure 022-110



| ITEM | PART NUMBER | QTY | LINE | SERIES | BODY | ENGINE | TRANS | TRIM | DESCRIPTION |
|------|-------------|-----|------|--------|------|--------|-------|------|-------------|
|------|-------------|-----|------|--------|------|--------|-------|------|-------------|

Note: Sales Code WJK = 15x6.0 Steel Wheels  
 Note: Sales Code WJ5 = 15x7.0 Steel Wheels  
 Note: Sales Code WJM = 15x7.0 Chrome Wheels  
 Note: Sales Code WJ1 = 15x7.0 Aluminum Wheels  
 Note: Sales Code WJ9,WJ4 = 15x8.0 Aluminum Wheels  
 Note: Sales Code WJU = 16x8.0 Aluminum Wheels

|    |             |    |  |  |  |  |  |  |                          |
|----|-------------|----|--|--|--|--|--|--|--------------------------|
| 1  | 5EW03 AJ7AC | 4  |  |  |  |  |  |  | WHEEL, Steel<br>[WKA]    |
|    | 5FV63 S4AAE | 4  |  |  |  |  |  |  | [WJ5]                    |
| 2  | 5EE80 PAKAF | 4  |  |  |  |  |  |  | WHEEL, Aluminum, [WJW]   |
| -3 | 5HP23 PAKAB | 1  |  |  |  |  |  |  | WHEEL, Aluminum<br>[WDY] |
|    | 5JL73 PAKAA | 4  |  |  |  |  |  |  | [WJ4]                    |
| 4  | 6036 310AA  | 20 |  |  |  |  |  |  | NUT, Wheel, .50x20       |
| -5 | 2073 355    | 5  |  |  |  |  |  |  | STEM, Wheel Valve        |

**JEEP WRANGLER (TJ)**

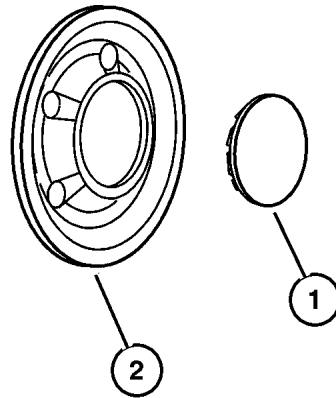
|             |                        |              |                       |                              |
|-------------|------------------------|--------------|-----------------------|------------------------------|
| SERIES      | LINE                   | BODY         | ENGINE                | TRANSMISSION                 |
| H = Sport   | J = Wrangler 4WD       | 77 = 93.4 WB | ED1, ED0 = 2.4L DOHC  | DGG, DGD = 32RH 3 Spd. Auto. |
| L = SE      | U = Wrangler 4WD (RHD) |              | ERH = 4.0L Power Tech | DDD = 5 Speed HD Manual      |
| M = X       |                        |              |                       | DG0 = Auto. Trans.           |
| P = Sahara  |                        |              |                       | DBB = Manual Trans.          |
| S = Rubicon |                        |              |                       | DDK = 5 Speed Manual         |

AR = Use as required - = Non illustrated part # = New this model year

August 27, 2004

**Caps And Covers**  
**Figure 022-210**

| ITEM  | PART NUMBER | QTY | LINE | SERIES | BODY | ENGINE | TRANS | TRIM | DESCRIPTION              |
|---|-------------|-----|------|--------|------|--------|-------|------|--------------------------|
| Note: Sales Code WJW = 15x7.0 Aluminum Wheels |             |     |      |        |      |        |       |      |                          |
| Note: Sales Code WJ5 = 15x7.0 Steel Wheels    |             |     |      |        |      |        |       |      |                          |
| Note: Sales Code WJK = 15x6.0 Steel Wheels    |             |     |      |        |      |        |       |      |                          |
| Note: Sales Code WJX = 15x8.0 Aluminum Wheels |             |     |      |        |      |        |       |      |                          |
| 1   | 5DY07 TAEAB | 4   |      |        |      |        |       |      | CAP, Wheel Center, [WJW] |
| 2   |             |     |      |        |      |        |       |      | CAP, Wheel Center        |
|   | 52059 522AA | 4   |      |        |      |        |       |      | [WDY]                    |
|   |             | 4   |      |        |      |        |       |      | [WJ4]                    |
|   | 5208 9008   | 4   |      |        |      |        |       |      | [WJK]                    |
|   |             | 4   |      |        |      |        |       |      | [WKA]                    |
|   | 5GL69 S4AAA | 4   |      |        |      |        |       |      | [WJ5]                    |



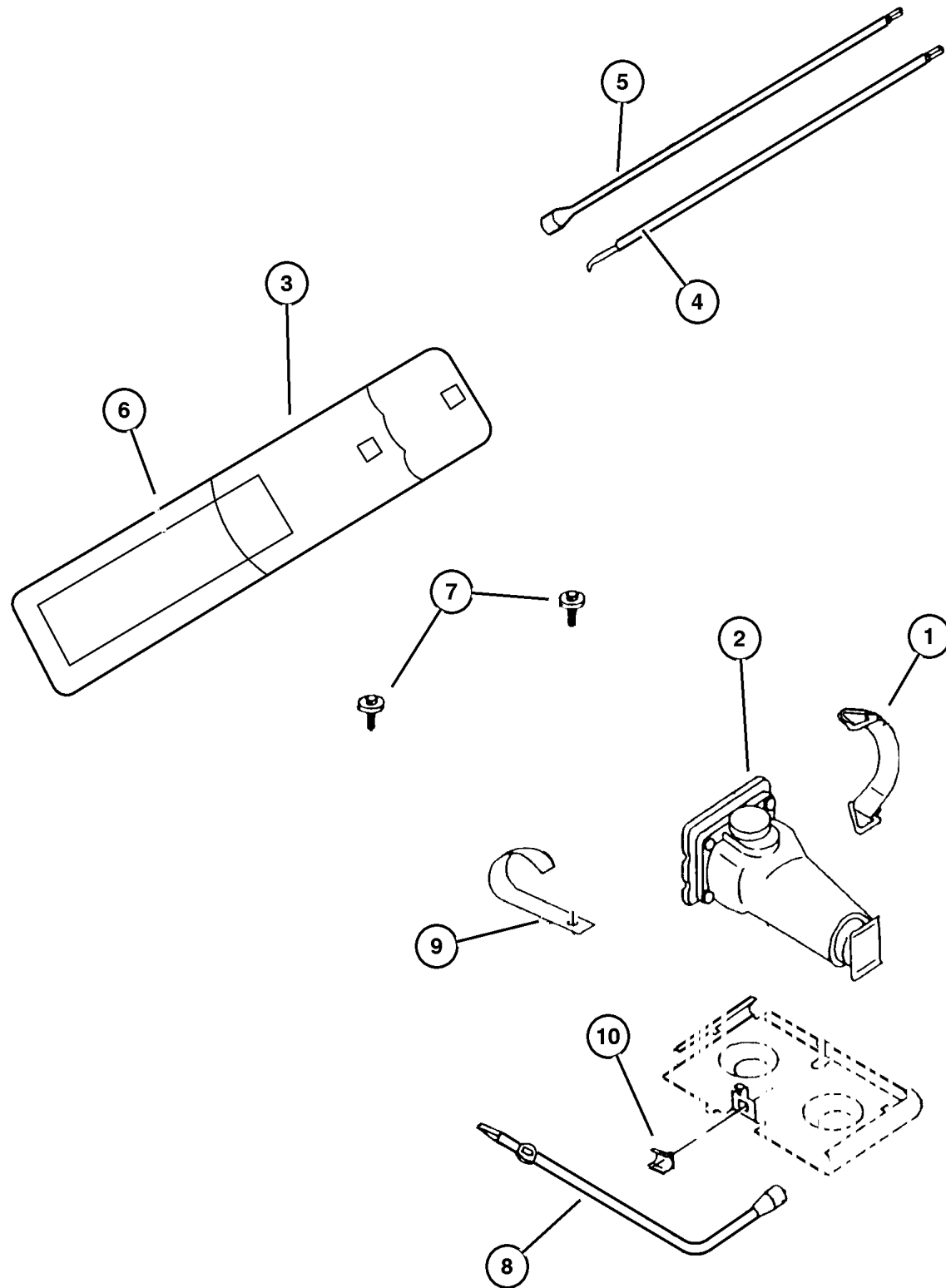
**JEEP WRANGLER (TJ)**

|             |                        |              |                       |                              |
|-------------|------------------------|--------------|-----------------------|------------------------------|
| SERIES      | LINE                   | BODY         | ENGINE                | TRANSMISSION                 |
| H = Sport   | J = Wrangler 4WD       | 77 = 93.4 WB | ED1, ED0 = 2.4L DOHC  | DGG, DGD = 32RH 3 Spd. Auto. |
| L = SE      | U = Wrangler 4WD (RHD) |              | ERH = 4.0L Power Tech | DDD = 5 Speed HD Manual      |
| M = X       |                        |              |                       | DG0 = Auto. Trans.           |
| P = Sahara  |                        |              |                       | DBB = Manual Trans.          |
| S = Rubicon |                        |              |                       | DDK = 5 Speed Manual         |

AR = Use as required - = Non illustrated part # = New this model year

August 27, 2004

Jack And Storage  
Figure 022-310



| ITEM | PART NUMBER | QTY | LINE | SERIES | BODY | ENGINE | TRANS | TRIM | DESCRIPTION  |
|------|-------------|-----|------|--------|------|--------|-------|------|--|
| 1    | 5203 8254   | 1   |      |        |      |        |       |      | STRAP, Jack Storage                                  |
| 2    | 52058 912AC | 1   |      |        |      |        |       |      | JACK   |
| 3    | 52059 162AD | 1   |      |        |      |        |       |      | BAG, Jack Tool Storage                               |
| 4    | 52058 905AB | 1   |      |        |      |        |       |      | EXTENSION, Jack Handle                               |
| 5    | 52088 133AB | 1   |      |        |      |        |       |      | HANDLE, Jack   |
| 6    |             |     |      |        |      |        |       |      | LABEL, Serviced in #3, (NOT SERVICED) (Not Serviced) |
| 7    | 6504 616    | 2   |      |        |      |        |       |      | SCREW, M4.2x1.41                                     |
| 8    | 52058 907AB | 1   |      |        |      |        |       |      | WRENCH, Wheel Lug Nut                                |
| 9    | 5205 9047   | 2   |      |        |      |        |       |      | STRAP, Jack Tool Storage                             |
| 10   | 6504 697    | 1   |      |        |      |        |       |      | CLIP, Lug Wrench                                     |
| -11  | 52110 391AB | 1   |      |        |      |        |       |      | LABEL, Jack Caution                                  |
| -12  | 52059 185AA | 1   |      |        |      |        |       |      | CLIP   |

JEEP WRANGLER (TJ)

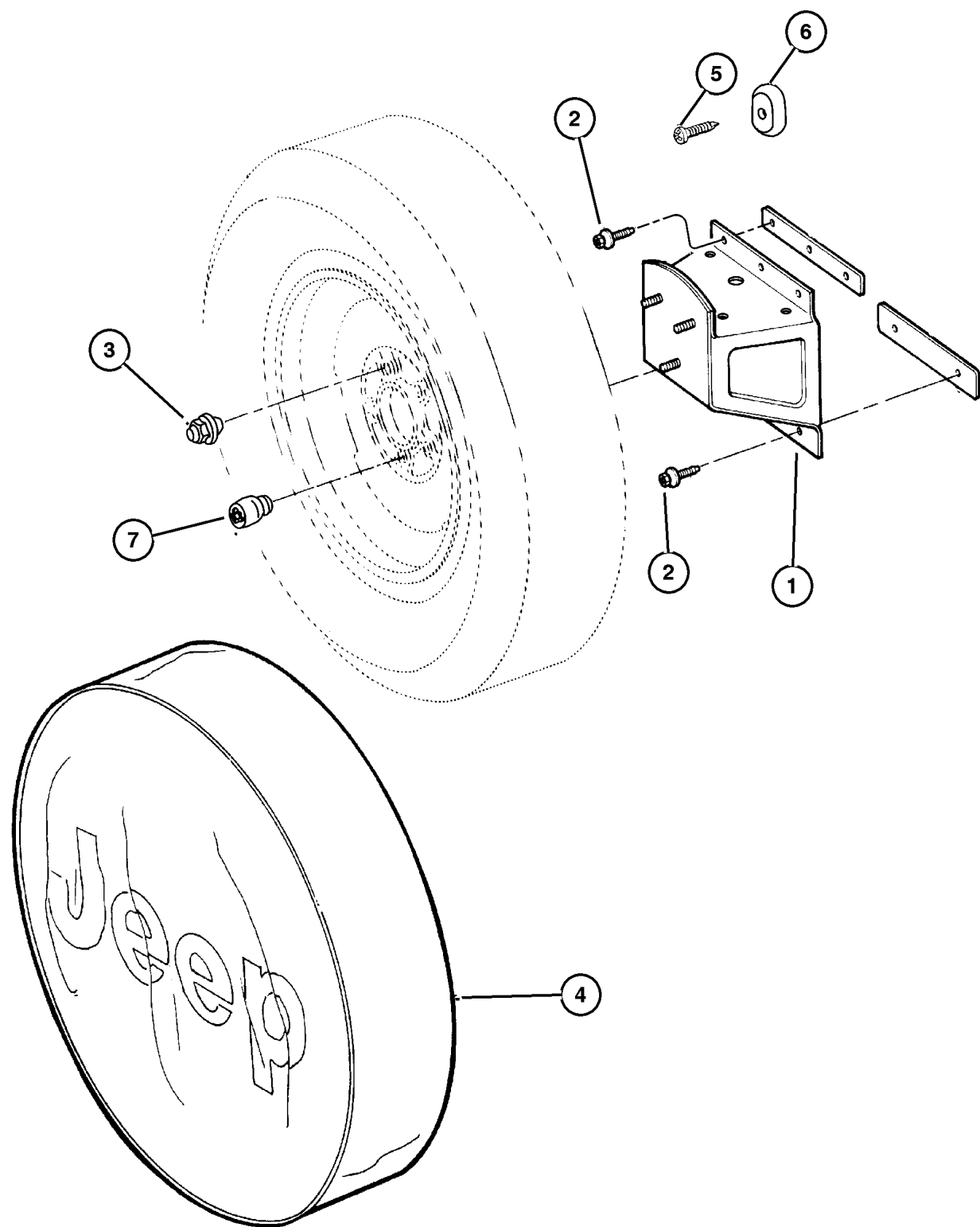
| SERIES      | LINE                   | BODY         | ENGINE                | TRANSMISSION                 |
|-------------|------------------------|--------------|-----------------------|------------------------------|
| H = Sport   | J = Wrangler 4WD       | 77 = 93.4 WB | ED1, ED0 = 2.4L DOHC  | DGG, DGD = 32RH 3 Spd. Auto. |
| L = SE      | U = Wrangler 4WD (RHD) |              | ERH = 4.0L Power Tech | DDD = 5 Speed HD Manual      |
| M = X       |                        |              |                       | DG0 = Auto. Trans.           |
| P = Sahara  |                        |              |                       | DBB = Manual Trans.          |
| S = Rubicon |                        |              |                       | DDK = 5 Speed Manual         |

AR = Use as required - = Non illustrated part # = New this model year

August 27, 2004

## Wheel, Spare Tailgate Mounted Figure 022-410

| ITEM | PART NUMBER | QTY | LINE | SERIES  | BODY | ENGINE | TRANS | TRIM | DESCRIPTION  |
|------|-------------|-----|------|---------|------|--------|-------|------|--|
| 1    | 55175 913AE | 1   |      |         |      |        |       |      | BRACKET, Spare Tire, 55175913ac  |
| 2    |             |     |      |         |      |        |       |      | SCREW AND WASHER, Hex Head, .312-18x1.125, (NOT SERVICED) (Not Serviced) |
| 3    | 6036 310AA  | 3   |      |         |      |        |       |      | NUT, Wheel, .50x20   |
| 4    |             |     |      |         |      |        |       |      | COVER, Spare Tire  |
|      | 5FF4 7TX7   | 1   |      | H, L, M |      |        |       |      |  |
|      | 5FF5 5TX7   | 1   |      | H, L    |      |        |       |      | Black, 'Saraha' Europe   |
|      | 5JX01 1X7AA | 1   | J    | S       | 77   |        |       |      |  |
| 5    | 6506 476AA  | 3   |      |         |      |        |       |      | SCREW, Hex Flange Head, M4.8x1.59x11.00                                  |
| 6    |             |     |      |         |      |        |       |      | BUMPER, Spare Tire Impact [TUS]  |
|      | 5501 3350   | 1   |      |         |      |        |       |      |  |
|      | 5534 5519   | 1   |      |         |      |        |       |      | [-TUS]   |
| 7    | 5208 8515   | 1   |      |         |      |        |       |      | NUT, Lock, .50-20  |



**JEEP WRANGLER (TJ)**

|             |                        |              |                       |                              |
|-------------|------------------------|--------------|-----------------------|------------------------------|
| SERIES      | LINE                   | BODY         | ENGINE                | TRANSMISSION                 |
| H = Sport   | J = Wrangler 4WD       | 77 = 93.4 WB | ED1, ED0 = 2.4L DOHC  | DGG, DGD = 32RH 3 Spd. Auto. |
| L = SE      | U = Wrangler 4WD (RHD) |              | ERH = 4.0L Power Tech | DDD = 5 Speed HD Manual      |
| M = X       |                        |              |                       | DG0 = Auto. Trans.           |
| P = Sahara  |                        |              |                       | DBB = Manual Trans.          |
| S = Rubicon |                        |              |                       | DDK = 5 Speed Manual         |

AR = Use as required - = Non illustrated part # = New this model year

August 27, 2004

# Group – 23D

## Wiper/Lock Cylinder and Keys

### GROUP 23D - Wiper/Lock Cylinder and Keys

Illustration Title

Group-Fig. No.

#### Lock Cylinders and Keys

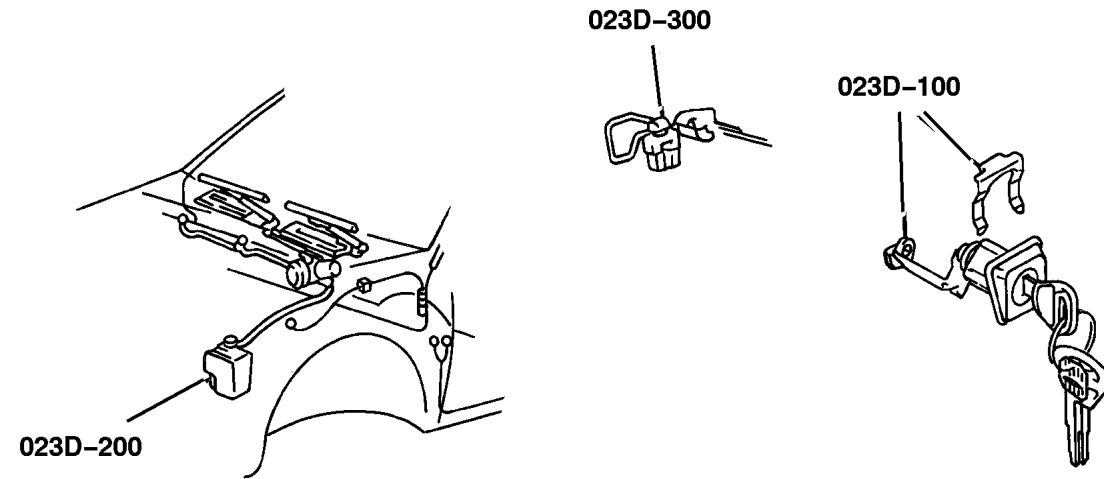
Lock Cylinders and Keys ..... Fig. 23D-105

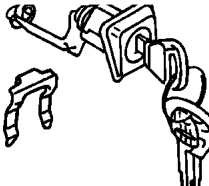
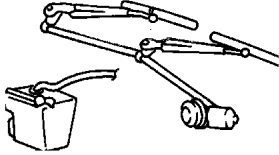
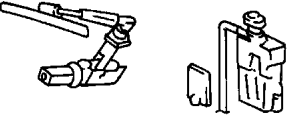
#### Windshield Wiper and Washer Systems

Wiper System Front ..... Fig. 23D-205

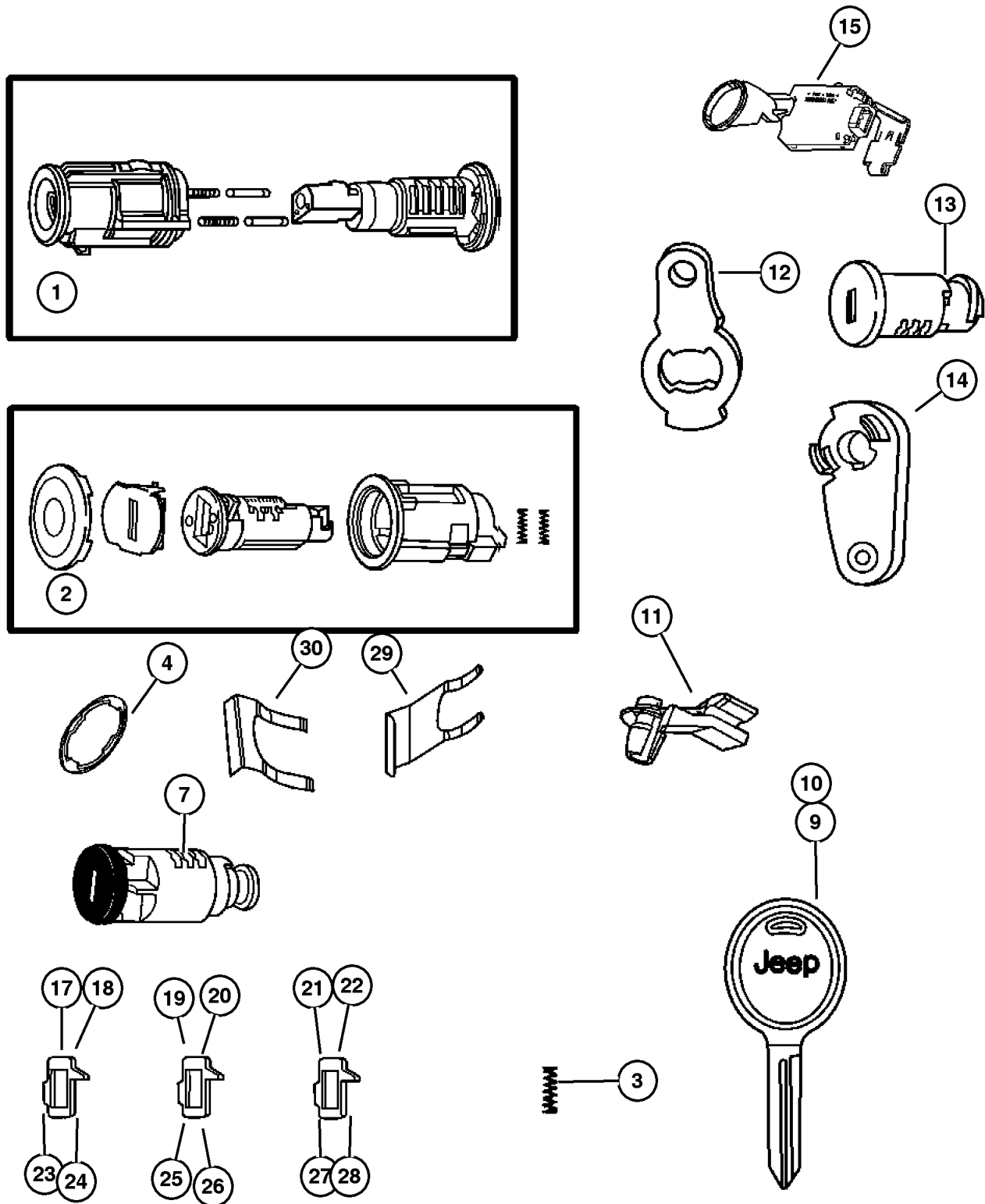
#### Rear Wiper and Washer System

Rear Wiper System ..... Fig. 23D-305



|   |   |   |  |
|---|---|---|--|
| <p><b>23D-100</b><br/>Lock Cylinders and Keys</p>  | <p><b>23D-200</b><br/>Windshield Wiper and Washer Systems</p>  | <p><b>23D-300</b><br/>Rear Wiper and Washer System</p>  |  |
|---|---|---|--|

## Lock Cylinders and Keys Figure 23D-105



| ITEM                            | PART NUMBER | QTY | LINE | SERIES | BODY | ENGINE | TRANS | TRIM | DESCRIPTION                           |
|---------------------------------|-------------|-----|------|--------|------|--------|-------|------|---------------------------------------|
| NOTE: ALL CYLINDERS ARE UNCODED |             |     |      |        |      |        |       |      |                                       |
| 1                               | 5003 843AB  | 1   |      |        |      |        |       |      | CYLINDER, Ignition Lock               |
| 2                               | 4864 651    | 1   |      |        |      |        |       |      | CYLINDER, Door Lock, Doors & Tailgate |
| 3                               | 4378 793    | 1   |      |        |      |        |       |      | SPRING, Cylinder Return               |
| 4                               | 5523 5561   | 1   |      |        |      |        |       |      | GASKET, Door Lock Cylinder, Black     |
| -5                              | 4778 121    | 1   |      |        |      |        |       |      | SPRING, Door and Deck Tumbler         |
| -6                              | 55176 401AC | 2   |      |        |      |        |       |      | RETAINER, Door Lock Cylinder          |
| 7                               | 4746 315    | 1   |      |        |      |        |       |      | CYLINDER, Glove Box Lock              |
| -8                              | 4746 873    | 1   |      |        |      |        |       |      | SPRING, Lock Cylinder Tumbler         |
| 9                               |             |     |      |        |      |        |       |      | KEY, Master                           |
|                                 | 5018 700AA  | 1   |      |        |      |        |       |      | Master Key Jeep                       |
|                                 | 5018 343AA  | 1   |      |        |      |        |       |      | Key for Hard Tonneau                  |
| 10                              | 5018 699AA  | 1   |      |        |      |        |       |      | KEY, Blank                            |
| 11                              |             |     |      |        |      |        |       |      | CLIP, Latch                           |
|                                 | 4658 444    | 1   |      |        |      |        |       |      | Purple                                |
|                                 | 4658 445    | 1   |      |        |      |        |       |      | Orange                                |
| 12                              | 5507 5824   | 1   |      |        |      |        |       |      | LEVER, Door Lock Cylinder, Tailgate   |
| 13                              | 4746 305    | 1   |      |        |      |        |       |      | CYLINDER, Console Lock                |
| 14                              | 5507 6307   | 1   |      |        |      |        |       |      | LEVER, Door Lock                      |
| 15                              | 56010 209AD | 1   |      |        |      |        |       |      | MODULE, Immobilizer                   |
| -16                             | 5010 883AB  | 1   |      |        |      |        |       |      | SPRING, Ignition Tumbler, Sidebar     |
| 17                              | 5010 879AA  | 1   |      |        |      |        |       |      | TUMBLER, Ignition Number 1, Sidebar   |
| 18                              | 5010 880AA  | 1   |      |        |      |        |       |      | TUMBLER, Ignition Number 2, Sidebar   |
| 19                              | 5010 881AA  | 1   |      |        |      |        |       |      | TUMBLER, Ignition Number 3, Sidebar   |
| 20                              | 5010 882AA  | 1   |      |        |      |        |       |      | TUMBLER, Ignition Number 4, Sidebar   |
| 21                              | 5257 132    | 1   |      |        |      |        |       |      | TUMBLER, Ignition Number 1            |
| 22                              | 5257 133    | 1   |      |        |      |        |       |      | TUMBLER, Ignition Number 2            |
| 23                              | 5257 134    | 1   |      |        |      |        |       |      | TUMBLER, Ignition Number 3            |
| 24                              | 5257 135    | 1   |      |        |      |        |       |      | TUMBLER, Ignition Number 4            |
| 25                              | 4778 117    | 1   |      |        |      |        |       |      | TUMBLER, Door and Deck Number 1, Wide |
| 26                              | 4778 118    | 1   |      |        |      |        |       |      | TUMBLER, Door and Deck Number 2, Wide |
| 27                              | 4778 119    | 1   |      |        |      |        |       |      | TUMBLER, Door and Deck Number 3, Wide |
| 28                              | 4778 120    | 1   |      |        |      |        |       |      | TUMBLER, Door and Deck Number 4, Wide |

### JEEP WRANGLER (TJ)

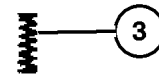
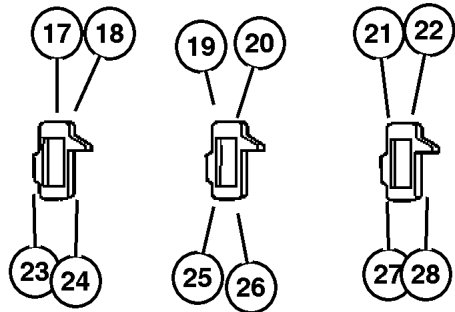
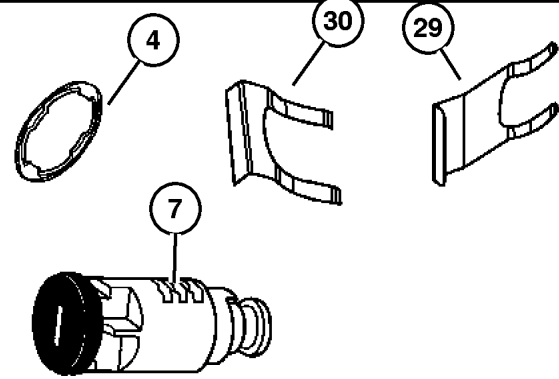
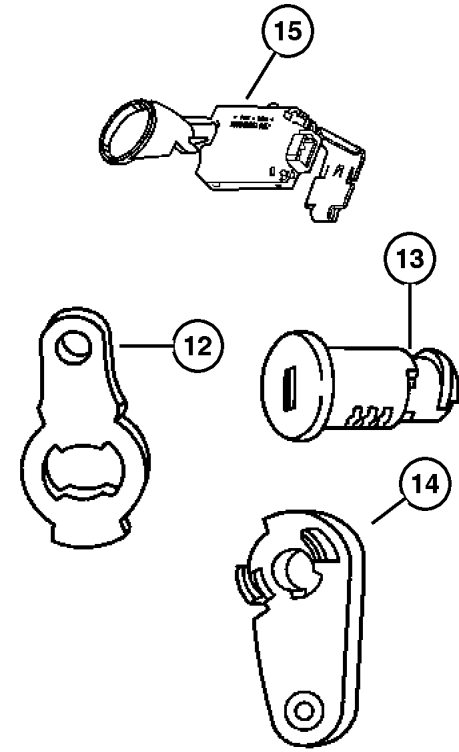
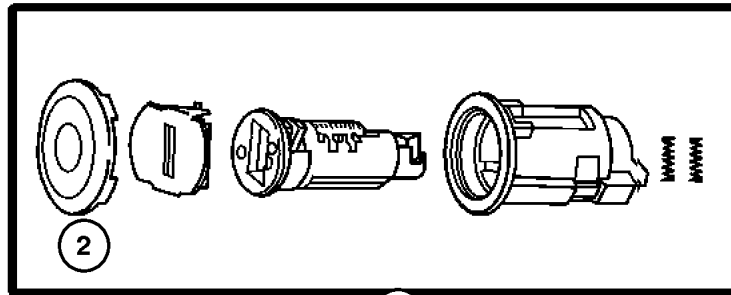
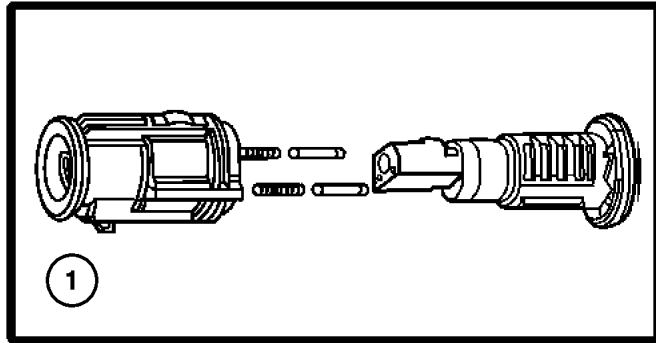
| SERIES      | LINE                   | BODY         | ENGINE                | TRANSMISSION                 |
|-------------|------------------------|--------------|-----------------------|------------------------------|
| H = Sport   | J = Wrangler 4WD       | 77 = 93.4 WB | ED1, ED0 = 2.4L DOHC  | DGG, DGD = 32RH 3 Spd. Auto. |
| L = SE      | U = Wrangler 4WD (RHD) |              | ERH = 4.0L Power Tech | DDD = 5 Speed HD Manual      |
| M = X       |                        |              |                       | DG0 = Auto. Trans.           |
| P = Sahara  |                        |              |                       | DBB = Manual Trans.          |
| S = Rubicon |                        |              |                       | DDK = 5 Speed Manual         |

AR = Use as required - = Non illustrated part # = New this model year

August 27, 2004

## Lock Cylinders and Keys Figure 23D-105

| ITEM | PART NUMBER | QTY | LINE | SERIES | BODY | ENGINE | TRANS | TRIM | DESCRIPTION                       |
|------|-------------|-----|------|--------|------|--------|-------|------|-----------------------------------|
| 29   | 5529 5904   | 2   |      |        |      |        |       |      | RETAINER, Door Cylinder To Handle |
| 30   | 55176 401AC | 2   |      |        |      |        |       |      | RETAINER, Door Lock Cylinder      |
| -31  | 5016 731AA  | 1   |      |        |      |        |       |      | CAP, Door Lock Cylinder           |
| -32  | 5019 605AA  | 1   |      |        |      |        |       |      | SHUTTER, Lock Cylinder            |
| -33  | 5139 207AA  | 1   |      |        |      |        |       |      | CYLINDER, Ignition Lock           |
| -34  | 4636 141    | 1   |      |        |      |        |       |      | BATTERY, Transmitter              |
| -35  | 4886 374AA  | 1   |      |        |      |        |       |      | TRANSMITTER, Alarm or Keyless     |



### JEEP WRANGLER (TJ)

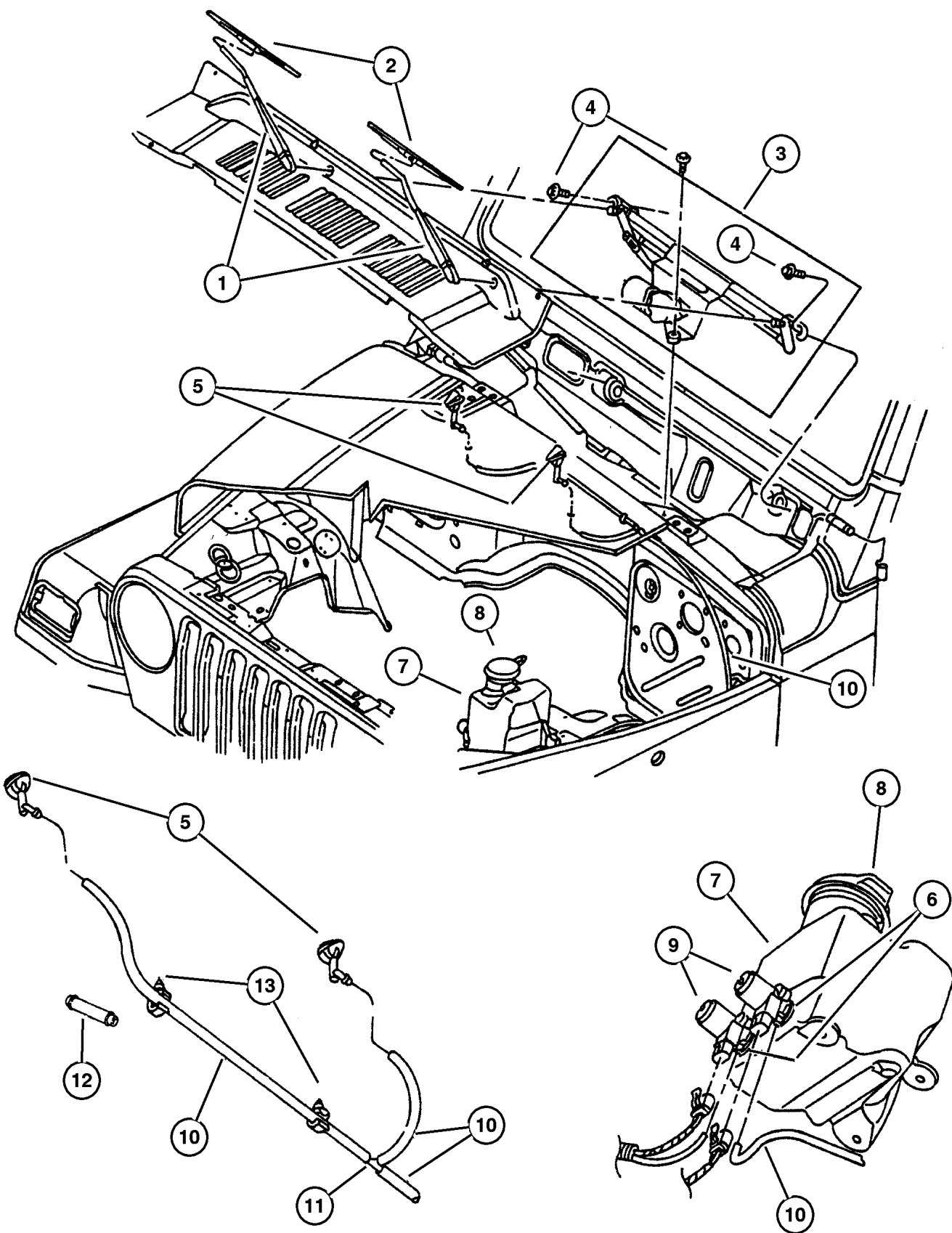
|             |                        |              |                       |                              |
|-------------|------------------------|--------------|-----------------------|------------------------------|
| SERIES      | LINE                   | BODY         | ENGINE                | TRANSMISSION                 |
| H = Sport   | J = Wrangler 4WD       | 77 = 93.4 WB | ED1, ED0 = 2.4L DOHC  | DGG, DGD = 32RH 3 Spd. Auto. |
| L = SE      | U = Wrangler 4WD (RHD) |              | ERH = 4.0L Power Tech | DDD = 5 Speed HD Manual      |
| M = X       |                        |              |                       | DG0 = Auto. Trans.           |
| P = Sahara  |                        |              |                       | DBB = Manual Trans.          |
| S = Rubicon |                        |              |                       | DDK = 5 Speed Manual         |

AR = Use as required - = Non illustrated part # = New this model year

August 27, 2004

## Wiper System Front Figure 23D-205

| ITEM | PART NUMBER | QTY | LINE | SERIES | BODY | ENGINE | TRANS | TRIM | DESCRIPTION                                |
|------|-------------|-----|------|--------|------|--------|-------|------|--|
| 1    |             |     |      |        |      |        |       |      | ARM, Wiper                                 |
|      | 55155 658AB | 2   | J    |        |      |        |       |      |  |
|      | 55155 659AB | 2   | U    |        | 77   |        |       |      |  |
| 2    | 55154 762AD | 2   |      |        |      |        |       |      | BLADE, Wiper                               |
| 3    |             |     |      |        |      |        |       |      | MODULE, Wiper                              |
|      | 55156 374AC | 1   | J    |        |      |        |       |      |  |
|      | 55154 768AD | 1   | U    |        | 77   |        |       |      |  |
| 4    | 6100 568    | 3   |      |        |      |        |       |      | BOLT AND WASHER, Implement Attaching       |
| 5    | 55156 728AA | 1   |      |        |      |        |       |      | NOZZLE, Washer, Windshield                 |
| 6    | 5096 346AA  | 1   |      |        |      |        |       |      | GROMMET, Washer Reservoir                  |
| 7    |             |     |      |        |      |        |       |      | RESERVOIR, Washer                          |
|      | 5096 344AA  | 1   |      |        |      |        |       |      | Single Pump                                |
|      | 5096 345AA  | 1   |      |        |      |        |       |      | Double Pump                                |
| 8    | 5096 347AA  | 1   |      |        |      |        |       |      | CAP, Washer Reservoir                      |
| 9    | 5096 343AA  | 1   |      |        |      |        |       |      | PUMP, Washer, Windshield, Single Pump      |
| 10   | HWV00 532AB | 1   |      |        |      |        |       |      | HOSE 1FT, Windshield Washer, 5/32"         |
| 11   | 3671 410    | 1   | J    |        |      |        |       |      | TEE, Washer Hose                           |
| 12   | 55156 742AA | 1   |      |        |      |        |       |      | CHECK VALVE, Washer                        |
| 13   | 4805 007    | 2   |      |        |      |        |       |      | CLIP, Washer Hose                          |
| -14  | 4883 521AA  | 1   |      |        |      |        |       |      | NUT, Rear Wiper Motor                      |
| -15  | 4883 520AA  | 1   |      |        |      |        |       |      | NOZZLE, Liftgate Washer                    |
| -16  | 5600 3982   | 1   |      |        |      |        |       |      | PLUG, Sealing                              |
| -17  | 5515 4556   | 1   |      |        |      |        |       |      | SPACER, Wiper Motor                        |
| -18  | 5600 3682   | 1   |      |        |      |        |       |      | NUT, Hex Flange, M16                       |
| -19  | 6035 102    | 2   |      |        |      |        |       |      | SCREW, Hex Flange Head Tapping, .25-14x.75 |



**JEEP WRANGLER (TJ)**

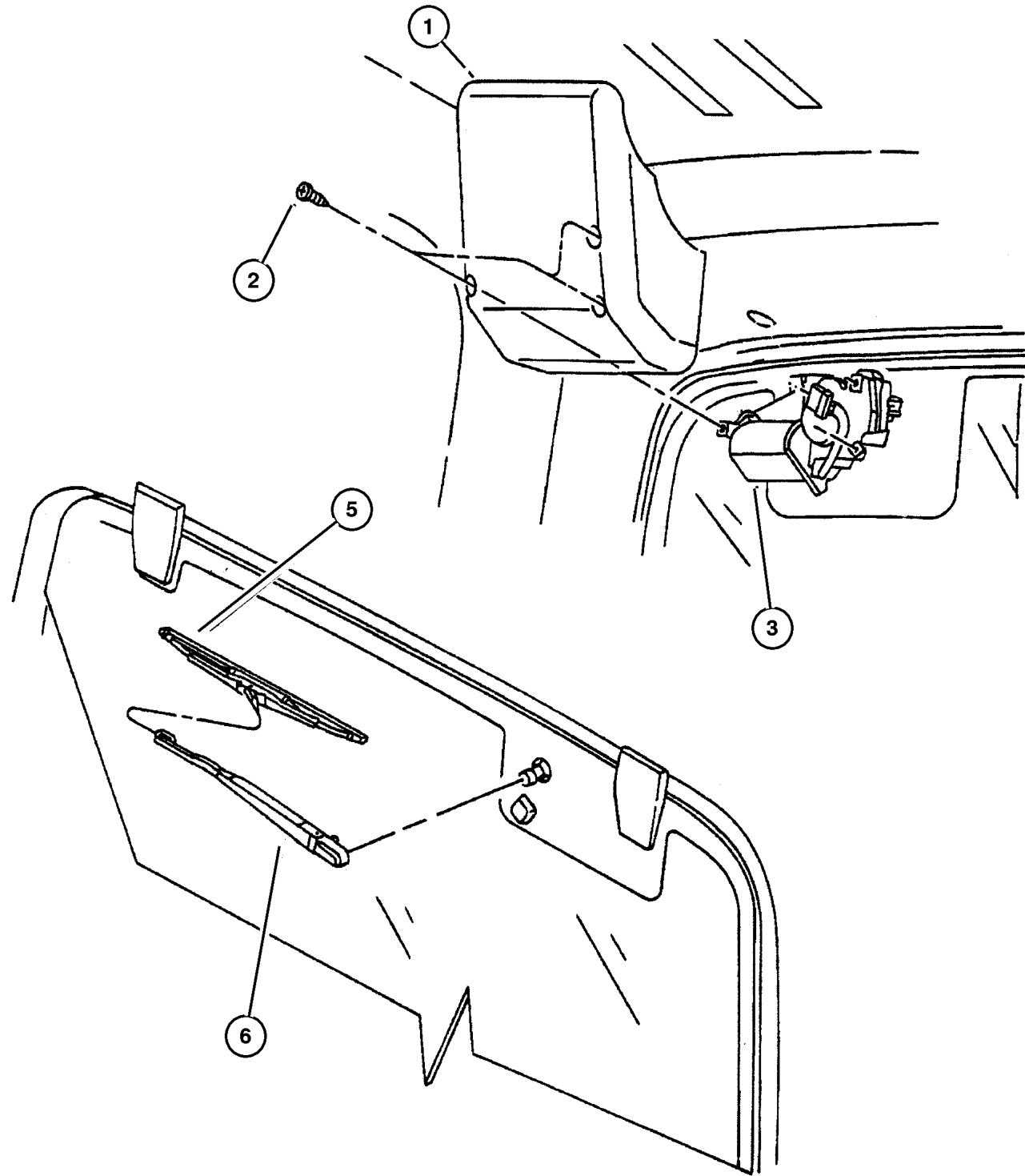
|             |                        |              |                       |                              |
|-------------|------------------------|--------------|-----------------------|------------------------------|
| SERIES      | LINE                   | BODY         | ENGINE                | TRANSMISSION                 |
| H = Sport   | J = Wrangler 4WD       | 77 = 93.4 WB | ED1, ED0 = 2.4L DOHC  | DGG, DGD = 32RH 3 Spd. Auto. |
| L = SE      | U = Wrangler 4WD (RHD) |              | ERH = 4.0L Power Tech | DDD = 5 Speed HD Manual      |
| M = X       |                        |              |                       | DG0 = Auto. Trans.           |
| P = Sahara  |                        |              |                       | DBB = Manual Trans.          |
| S = Rubicon |                        |              |                       | DDK = 5 Speed Manual         |

AR = Use as required - = Non illustrated part # = New this model year

August 27, 2004



## Rear Wiper System Figure 23D-305



| ITEM | PART NUMBER | QTY | LINE | SERIES | BODY | ENGINE | TRANS | TRIM | DESCRIPTION                                       |
|------|-------------|-----|------|--------|------|--------|-------|------|---|
| 1    | 55156 660AD | 1   |      |        |      |        |       |      | COVER, Wiper Motor                                |
| 2    |             |     |      |        |      |        |       |      | SCREW, 164-18X.750, (NOT SERVICED) (Not Serviced) |
| 3    | 55156 278AA | 1   |      |        |      |        |       |      | MOTOR, Wiper                                      |
| -4   | 4883 521AA  | 1   |      |        |      |        |       |      | NUT, Rear Wiper Motor                             |
| 5    | 55156 664AA | 1   |      |        |      |        |       |      | BLADE, Wiper<br>Up to [09/07/04]                  |
|      | 55157 322AA | 1   |      |        |      |        |       |      | After [09/07/04]                                  |
| 6    | 55156 663AA | 1   |      |        |      |        |       |      | ARM, Wiper  |
| -7   | 5517 6464   | 1   |      |        | 77   |        |       |      | GROMMET, Wiper Motor And Bracket                  |
| -8   | 4883 520AA  | 1   |      |        |      |        |       |      | NOZZLE, Liftgate Washer                           |
| -9   | 5515 5457   | 1   |      |        | 77   |        |       |      | CHECK VALVE, Washer                               |
| -10  | 5600 3982   | 1   |      |        |      |        |       |      | PLUG, Sealing                                     |
| -11  | 5161 068AB  | 1   |      |        |      |        |       |      | WASHER  |
| -12  | 5515 4556   | 1   |      |        |      |        |       |      | SPACER, Wiper Motor                               |
| -13  | 6500 165    | 1   |      |        |      |        |       |      | NUT, Wiper Arm, Rear Arm Mounting                 |
| -14  | 6503 071    | 4   |      |        |      |        |       |      | CLIP, Line&Hose, Rear Wiper Harness               |
| -15  | 55156 278AA | 1   |      |        |      |        |       |      | MOTOR, Wiper                                      |
| -16  | 5515 4535   | 1   |      |        | 77   |        |       |      | HOSE, Check Valve To Nozzle                       |

**JEEP WRANGLER (TJ)**

|             |                        |              |                       |                              |
|-------------|------------------------|--------------|-----------------------|------------------------------|
| SERIES      | LINE                   | BODY         | ENGINE                | TRANSMISSION                 |
| H = Sport   | J = Wrangler 4WD       | 77 = 93.4 WB | ED1, ED0 = 2.4L DOHC  | DGG, DGD = 32RH 3 Spd. Auto. |
| L = SE      | U = Wrangler 4WD (RHD) |              | ERH = 4.0L Power Tech | DDD = 5 Speed HD Manual      |
| M = X       |                        |              |                       | DG0 = Auto. Trans.           |
| P = Sahara  |                        |              |                       | DBB = Manual Trans.          |
| S = Rubicon |                        |              |                       | DDK = 5 Speed Manual         |

AR = Use as required - = Non illustrated part # = New this model year

August 27, 2004

# Group – 024

## Air Conditioning & Heater

### GROUP 24 - Air Conditioning & Heater

Illustration Title

Group-Fig. No.

#### Air Conditioner and Heater Units

Hevac Unit, LHD ..... Fig. 024-105

Hevac Unit, RHD ..... Fig. 024-110

#### Air Conditioner and Heater Plumbing

Hoses, Heater 2.4L Engine ..... Fig. 024-210

Hoses, Heater 4.0L Engine ..... Fig. 024-220

Plumbing, Hevac 2.4L Engine ..... Fig. 024-225

Plumbing, Hevac 4.0L Engine, LHD ..... Fig. 024-235

Plumbing, Hevac 4.0L Engine, RHD ..... Fig. 024-240

Seals, A/C Condenser ..... Fig. 024-245

#### Air Conditioner and Heater Controls

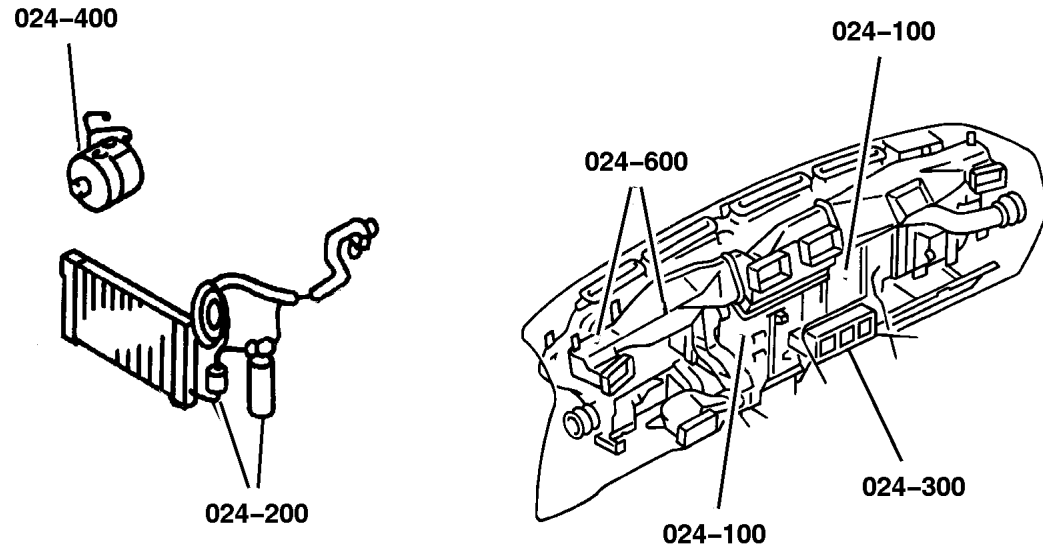
Control, Heater And A/c ..... Fig. 024-310

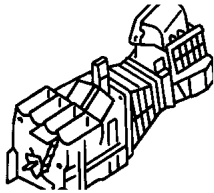
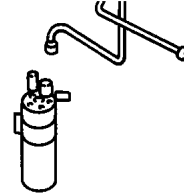
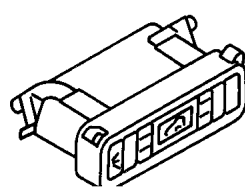
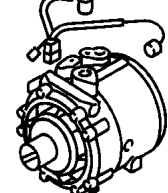
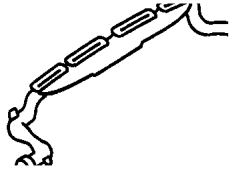
#### Air Conditioning Compressor

Compressor, Air Conditioning ..... Fig. 024-410

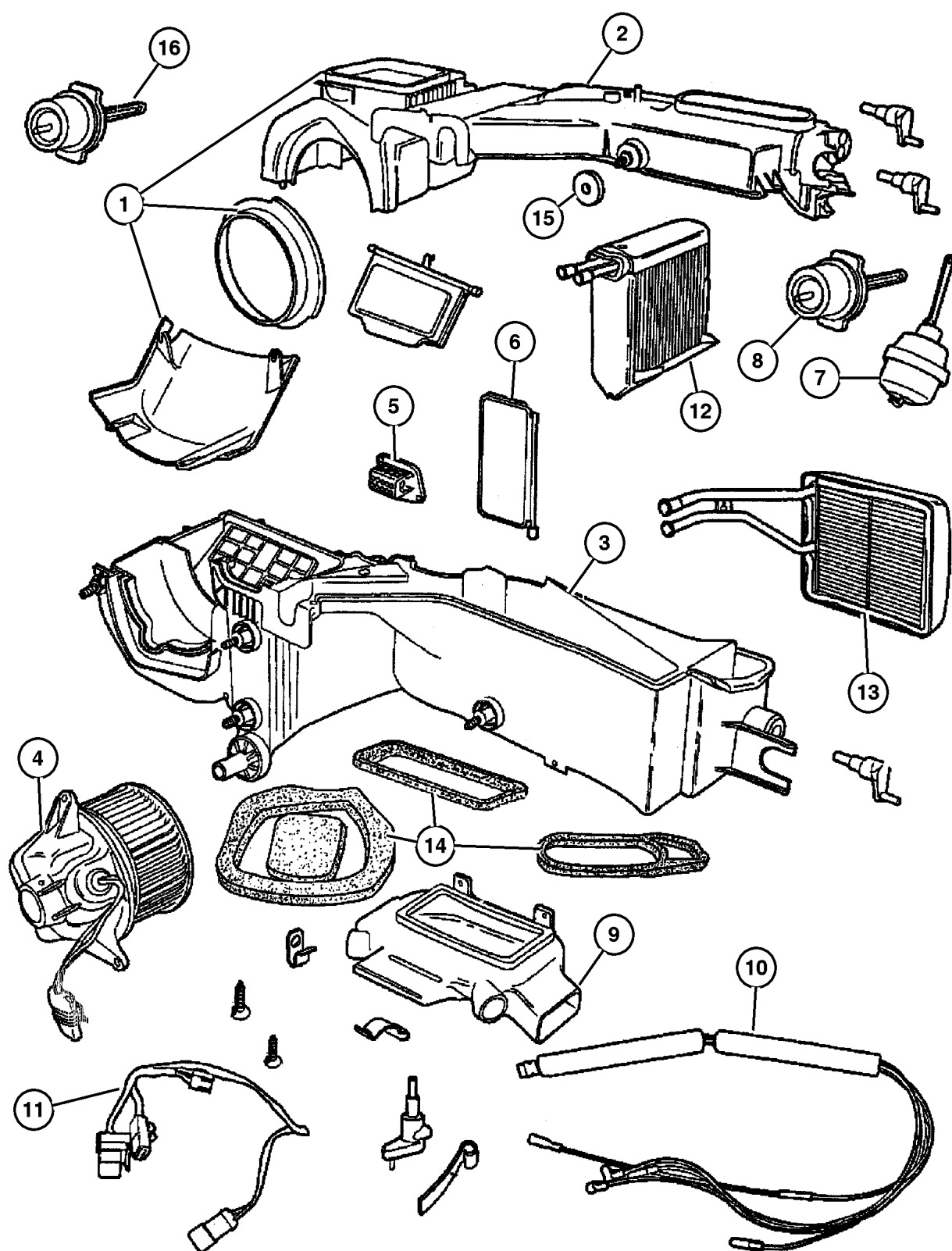
#### Air Ducts and Outlets

Ducts, Heater And A/c ..... Fig. 024-610



|  |   |  |   |
|--|---|--|---|
| <p><b>024-100</b><br/>Air Conditioner and Heater Units</p>  | <p><b>024-200</b><br/>Air Conditioner and Heater Plumbing</p>  | <p><b>024-300</b><br/>Air Conditioner and Heater Controls</p>  | <p><b>024-400</b><br/>Air Conditioning Compressor</p>  |
| <p><b>024-600</b><br/>Air Ducts and Outlets</p>             |   |  |   |

Hevac Unit, LHD  
Figure 024-105



| ITEM | PART NUMBER | QTY | LINE | SERIES | BODY | ENGINE | TRANS | TRIM | DESCRIPTION                                 |
|------|-------------|-----|------|--------|------|--------|-------|------|---|
| 1    | 5073 172AA  | 1   | J    |        |      |        |       |      | HOUSING, Air Inlet                          |
| 2    | 5073 175AA  | 1   | J    |        |      |        |       |      | HOUSING, A/C Upper                          |
| 3    | 5073 176AA  | 1   | J    |        |      |        |       |      | HOUSING, A/C Lower                          |
| 4    | 5139 720AA  | 1   | J    |        |      |        |       |      | MOTOR, Blower with Wheel                    |
| 5    | 5139 719AA  | 1   | J    |        |      |        |       |      | RESISTOR, A/C Heater                        |
| 6    | 5073 184AA  | 1   | J    |        |      |        |       |      | DOOR KIT, A/C And Heater                    |
| 7    | 5013 741AA  | 1   | J    |        |      |        |       |      | ACTUATOR, Blend Door                        |
| 8    | 5073 181AA  | 1   | J    |        |      |        |       |      | ACTUATOR, A/C and Heater, Panel Door        |
| 9    | 5066 518AA  | 1   | J    |        |      |        |       |      | ACTUATOR, A/C and Heater, Floor and Defrost |
| 10   | 5073 182AA  | 1   | J    |        |      |        |       |      | VACUUM HARNESS, Heater and A/C              |
| 11   | 5073 183AA  | 1   | J    |        |      |        |       |      | WIRING, Air Conditioning Module             |
| 12   | 5073 178AA  | 1   | J    |        |      |        |       |      | EVAPORATOR, Air Conditioning                |
| 13   | 5073 180AA  | 1   | J    |        |      |        |       |      | HEATER KIT, Heater Core Assembly            |
| 14   | 5073 174AA  | 1   | J    |        |      |        |       |      | SEAL KIT, A/C And Heater Unit               |
| 15   | 5525 4848   | 4   |      |        |      |        |       |      | WASHER, Sealing                             |
| 16   | 5073 173AA  | 1   | J    |        |      |        |       |      | ACTUATOR, A/C and Heater, Recirculating     |

JEEP WRANGLER (TJ)

|             |                        |              |                       |                              |
|-------------|------------------------|--------------|-----------------------|------------------------------|
| SERIES      | LINE                   | BODY         | ENGINE                | TRANSMISSION                 |
| H = Sport   | J = Wrangler 4WD       | 77 = 93.4 WB | ED1, ED0 = 2.4L DOHC  | DGG, DGD = 32RH 3 Spd. Auto. |
| L = SE      | U = Wrangler 4WD (RHD) |              | ERH = 4.0L Power Tech | DDD = 5 Speed HD Manual      |
| M = X       |                        |              |                       | DG0 = Auto. Trans.           |
| P = Sahara  |                        |              |                       | DBB = Manual Trans.          |
| S = Rubicon |                        |              |                       | DDK = 5 Speed Manual         |

AR = Use as required - = Non illustrated part # = New this model year

August 27, 2004

Hevac Unit, RHD  
Figure 024-110

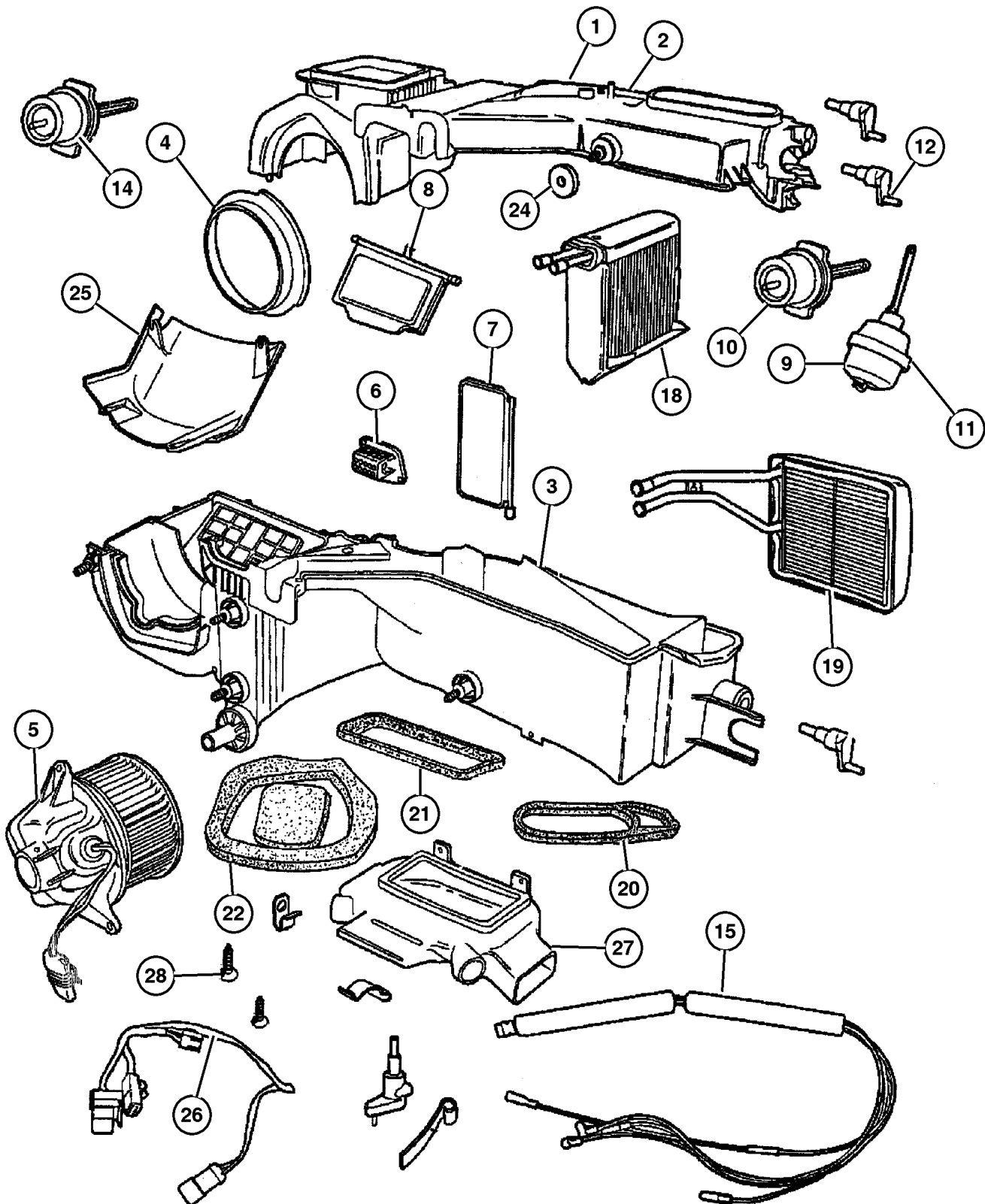
| ITEM | PART NUMBER | QTY | LINE | SERIES | BODY | ENGINE | TRANS | TRIM | DESCRIPTION   |
|------|-------------|-----|------|--------|------|--------|-------|------|---|
| 1    |             |     |      |        |      |        |       |      | HOUSING, Heater   |
|      | 5013 734AA  | 1   | U    |        | 77   |        |       |      | Export  |
|      | 5013 739AA  | 1   | U    |        | 77   |        |       |      |   |
| 2    | 5013 733AA  | 1   | U    |        | 77   |        |       |      | HOUSING, A/C Upper  |
| 3    | 5013 738AA  | 1   | U    |        | 77   |        |       |      | HOUSING, A/C Lower  |
| 4    | 4864 951    | 1   | U    |        | 77   |        |       |      | RING  |
| 5    | 4864 956    | 1   | U    |        | 77   |        |       |      | BLOWER  |
| 6    | 4864 957    | 1   | U    |        | 77   |        |       |      | RESISTOR, Blower Motor  |
| 7    | 4897 611AA  | 1   | U    |        | 77   |        |       |      | DOOR, Blend Air   |
| 8    | 4864 993    | 1   | U    |        | 77   |        |       |      | DOOR, Fresh Air   |
| 9    | 4864 994    | 1   | U    |        | 77   |        |       |      | ACTUATOR, Vacuum  |
| 10   | 5016 597AA  | 1   | U    |        | 77   |        |       |      | ACTUATOR, Vacuum  |
| 11   | 5013 741AA  | 1   | U    |        | 77   |        |       |      | ACTUATOR, Blend Door  |
| 12   | 5013 743AA  | 1   | U    |        | 77   |        |       |      | ADAPTER, Blend Door, A/C and Heater   |
| -13  |             |     |      |        |      |        |       |      | BRACKET, Blend Door Adapter, A/C and Heater, Serviced with Housing, (NOT SERVICED) (Not Serviced) |
| 14   | 4864 996    | 1   | U    |        | 77   |        |       |      | ACTUATOR, Vacuum  |
| 15   | 4864 997AC  | 1   | U    |        | 77   |        |       |      | VACUUM HARNESS, Heater and A/C  |
| -16  |             |     |      |        |      |        |       |      | HOSE AND VALVE, Vacuum  |
|      | 55037 637AB | 1   | J    |        |      | ER0    |       |      |   |
|      | 55037 638AB | 1   | U    |        | 77   | ER0    |       |      |   |
| -17  | 4864 998AC  | 1   | U    |        | 77   |        |       |      | HARNESS, Heater Vacuum  |
| 18   | 4874 044AD  | 1   | U    |        | 77   |        |       |      | EVAPORATOR KIT, A/C   |
| 19   | 4874 046    | 1   | U    |        | 77   |        |       |      | CORE, Heater  |
| 20   | 4874 066    | 1   | U    |        | 77   |        |       |      | SEAL, Defroster Duct  |
| 21   | 4874 068    | 1   | U    |        | 77   |        |       |      | SEAL, Vent  |
| 22   | 4874 070AB  | 1   | U    |        | 77   |        |       |      | SEAL KIT, A/C And Heater Unit   |
| -23  | 4874 072AB  | 1   | U    |        | 77   |        |       |      | SEAL KIT, A/C And Heater Unit   |
| 24   | 5525 4848   | 4   |      |        |      |        |       |      | WASHER, Sealing   |
| 25   | 4874 079    | 1   | U    |        | 77   |        |       |      | COVER, Recirculating Valve  |
| 26   | 5013 744AA  | 1   | U    |        | 77   |        |       |      | WIRING, Air Conditioning Module   |
| 27   | 4874 089    | 1   | U    |        | 77   |        |       |      | DUCT, Floor Distribution  |
| 28   |             |     |      |        |      |        |       |      | SCREW, Hex Head, M4.8-1.59x19, (NOT SERVICED) (Not Serviced)                                      |
| -29  | 4644 127    | 1   | U    |        | 77   |        |       |      | CLIP, Air Conditioning, 25mm Diameter   |

JEEP WRANGLER (TJ)

|             |                        |              |                       |                              |
|-------------|------------------------|--------------|-----------------------|------------------------------|
| SERIES      | LINE                   | BODY         | ENGINE                | TRANSMISSION                 |
| H = Sport   | J = Wrangler 4WD       | 77 = 93.4 WB | ED1, ED0 = 2.4L DOHC  | DGG, DGD = 32RH 3 Spd. Auto. |
| L = SE      | U = Wrangler 4WD (RHD) |              | ERH = 4.0L Power Tech | DDD = 5 Speed HD Manual      |
| M = X       |                        |              |                       | DGO = Auto. Trans.           |
| P = Sahara  |                        |              |                       | DBB = Manual Trans.          |
| S = Rubicon |                        |              |                       | DDK = 5 Speed Manual         |

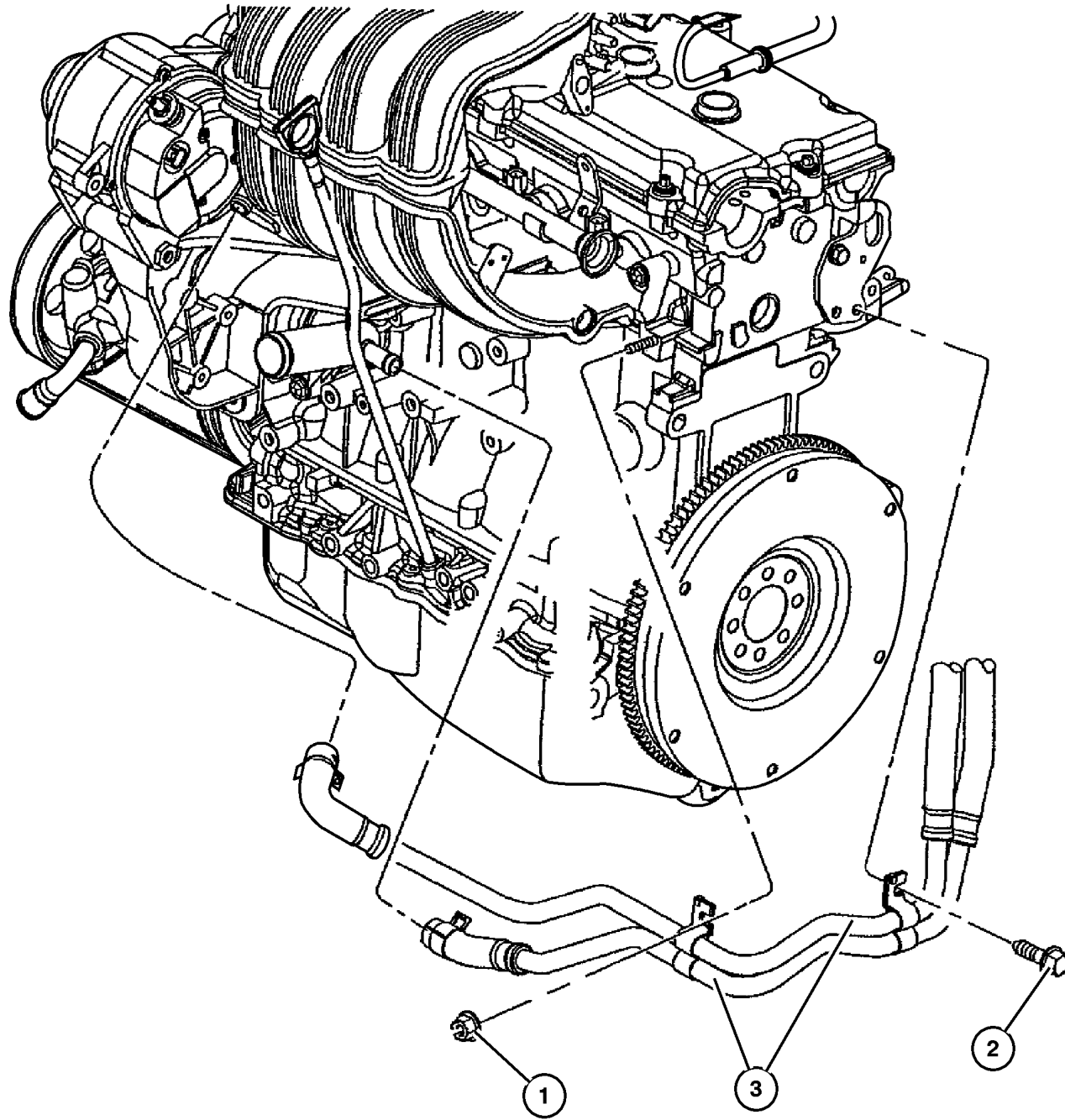
AR = Use as required - = Non illustrated part # = New this model year

August 27, 2004



Hoses, Heater 2.4L Engine  
Figure 024-210

| ITEM | PART NUMBER | QTY | LINE | SERIES | BODY | ENGINE | TRANS | TRIM | DESCRIPTION                                     |
|------|-------------|-----|------|--------|------|--------|-------|------|---|
| 1    | 6101 445    | AR  |      |        |      |        |       |      | NUT AND WASHER, Hex Nut-Coned Washer, M8 x 1.25 |
| 2    | 6505 178AA  | 1   |      |        |      | ED0    |       |      | SCREW, Hex Head                                 |
| 3    | 55037 591AE | 1   | J    |        |      | ED0    |       |      | TUBE & HOSE, Supply & Return, 55037591ad        |

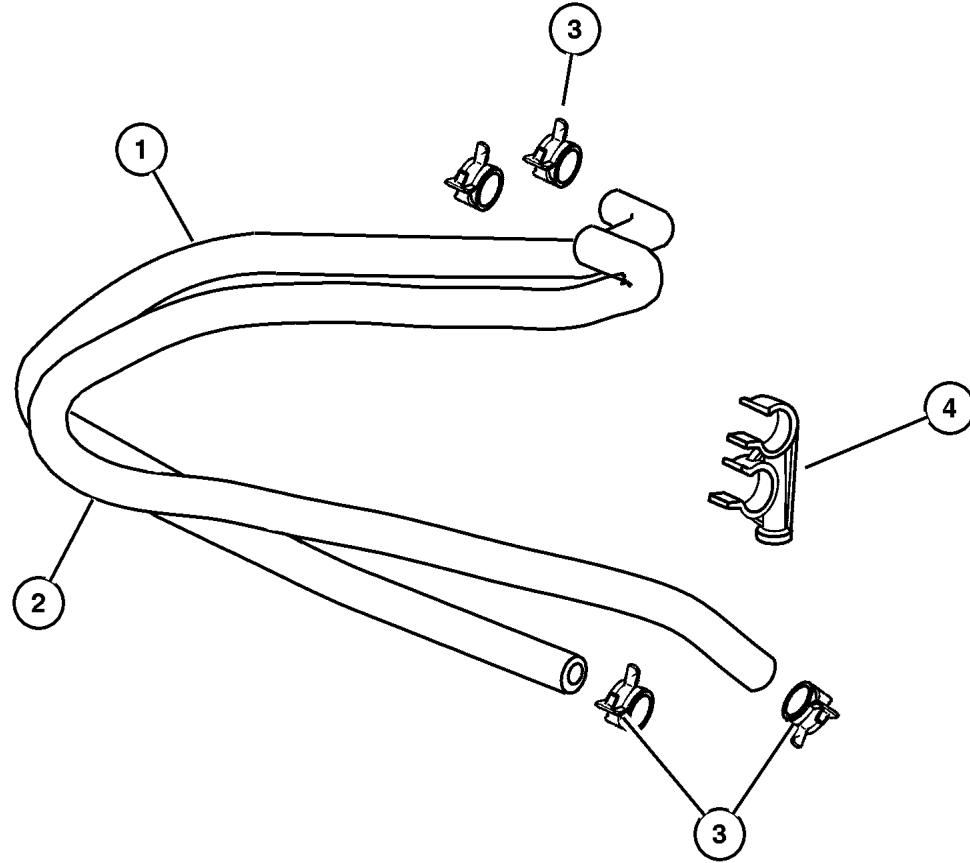


|                           |                        |              |                       |                              |
|---------------------------|------------------------|--------------|-----------------------|------------------------------|
| <b>JEEP WRANGLER (TJ)</b> |                        |              |                       |                              |
| SERIES                    | LINE                   | BODY         | ENGINE                | TRANSMISSION                 |
| H = Sport                 | J = Wrangler 4WD       | 77 = 93.4 WB | ED1, ED0 = 2.4L DOHC  | DGG, DGD = 32RH 3 Spd. Auto. |
| L = SE                    | U = Wrangler 4WD (RHD) |              | ERH = 4.0L Power Tech | DDD = 5 Speed HD Manual      |
| M = X                     |                        |              |                       | DG0 = Auto. Trans.           |
| P = Sahara                |                        |              |                       | DBB = Manual Trans.          |
| S = Rubicon               |                        |              |                       | DDK = 5 Speed Manual         |

AR = Use as required - = Non illustrated part # = New this model year

August 27, 2004

## Hoses, Heater 4.0L Engine Figure 024-220



| ITEM                                   | PART NUMBER | QTY | LINE | SERIES | BODY | ENGINE      | TRANS | TRIM | DESCRIPTION                                       |
|--|-------------|-----|------|--------|------|-------------|-------|------|---|
| Note: Sales Code ER0 = 4.0L Gas Engine |             |     |      |        |      |             |       |      |   |
| 1                                      | 55038 223AC | 1   | J    |        |      | ER0         |       |      | HOSE, Heater Return                               |
|  | 55036 382AD | 1   | U    |        | 77   | ER0         |       |      |   |
| 2                                      | 55038 128AC | 1   | J    |        |      | ER0         |       |      | HOSE, Heater Supply                               |
|  | 55036 380AC | 1   | U    |        | 77   | ER0         |       |      |   |
| 3                                      |             |     |      |        |      |             |       |      | CLAMP, Heater Hose, (NOT SERVICED) (Not Serviced) |
| 4                                      | 5503 5933   | 1   | J    |        |      | ED0,<br>ER0 |       |      | BRACKET, Hose                                     |
|  |             | 2   | U    |        | 77   | ED0,<br>ER0 |       |      |   |
| -5                                     | 55037 293AB | 1   | U    |        | 77   |             |       |      | BRACKET, Hose                                     |
| -6                                     | HHR00 034AA | 1   |      |        |      |             |       |      | HOSE 1FT, Heater, 3/4"                            |

**JEEP WRANGLER (TJ)**

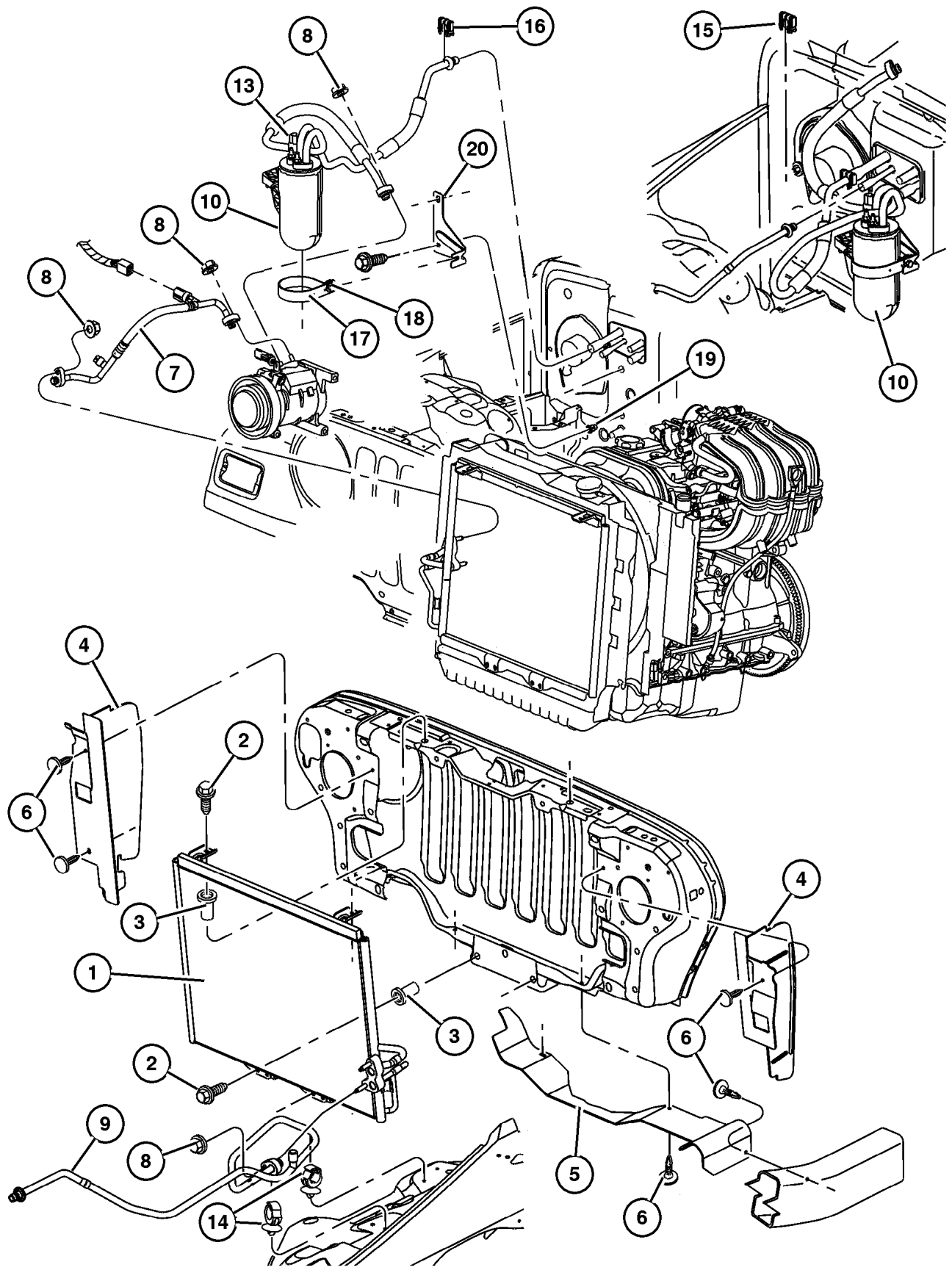
|             |                        |              |                       |                              |
|-------------|------------------------|--------------|-----------------------|------------------------------|
| SERIES      | LINE                   | BODY         | ENGINE                | TRANSMISSION                 |
| H = Sport   | J = Wrangler 4WD       | 77 = 93.4 WB | ED1, ED0 = 2.4L DOHC  | DGG, DGD = 32RH 3 Spd. Auto. |
| L = SE      | U = Wrangler 4WD (RHD) |              | ERH = 4.0L Power Tech | DDD = 5 Speed HD Manual      |
| M = X       |                        |              |                       | DG0 = Auto. Trans.           |
| P = Sahara  |                        |              |                       | DBB = Manual Trans.          |
| S = Rubicon |                        |              |                       | DDK = 5 Speed Manual         |

AR = Use as required - = Non illustrated part # = New this model year

August 27, 2004

Plumbing, Hevac 2.4L Engine  
Figure 024-225

| ITEM | PART NUMBER | QTY | LINE | SERIES | BODY | ENGINE      | TRANS | TRIM | DESCRIPTION                                 |
|------|-------------|-----|------|--------|------|-------------|-------|------|---|
| 1    | 55037 618AF | 1   | J    |        |      |             |       |      | CONDENSER, Air Conditioning                 |
| 2    | 0154 892AA  | 4   |      |        |      |             |       |      | BOLT, Hex Head, .25-20x.75                  |
| 3    | J400 3120   | 4   |      |        |      |             |       |      | WELL NUT, .25-20x.63                        |
| 4    |             |     |      |        |      |             |       |      | SEAL, Condenser                             |
|      | 55036 866AC | 1   |      |        |      |             |       |      | Right                                       |
|      | 5503 6867   | 1   |      |        |      |             |       |      | Left  |
| 5    | 5503 6369   | 1   |      |        |      |             |       |      | SEAL, Condenser, Lower                      |
| 6    | 6030 441    | 3   |      |        |      | ED0,<br>ER0 |       |      | PIN, Retainer                               |
| 7    | 55037 579AC | 1   | J    |        |      | ED0         |       |      | LINE, A/C Discharge                         |
| 8    | 6506 152AA  | 1   |      |        |      |             |       |      | NUT AND CONED WASHER, Hex,<br>M8x1.25       |
| 9    | 55037 706AE | 1   | J    |        |      | ED0         |       |      | LINE, A/C Liquid                            |
| 10   | 55037 584AH | 1   | J    |        |      | ED0         |       |      | ACCUMULATOR, Suction Line, After<br>10-2-02 |
| -11  | 4796 294    | 1   | J    |        |      | ED0         |       |      | O RING KIT, Quick Connect                   |
| -12  | 4796 294    | 1   | J    |        |      | ED0         |       |      | O RING KIT, Quick Connect                   |
| 13   | 5096 126AA  | 1   | J    |        |      | ED0         |       |      | SWITCH KIT, A/C - Pressure                  |
| 14   | 5503 6022   | 2   |      |        |      |             |       |      | CLIP, A/C Liquid Line                       |
| 15   | 4596 153    | 1   |      |        |      |             |       |      | CLIP, A/C Quick Disconnect                  |
| 16   | 4596 152    | 1   |      |        |      |             |       |      | CLIP, A/C Quick Disconnect                  |
| 17   | 55037 696AA | 1   |      |        |      |             |       |      | BAND, Accumulator Retaining                 |
| 18   | 6101 442    | 4   |      |        |      |             |       |      | U-NUT, M6 x 1.00, M6x1.00                   |
| 19   | 6503 245    | 2   |      |        |      |             |       |      | RIVET                                       |
| 20   | 5503 6304   | 1   | U    |        | 77   |             |       |      | BRACKET, Accumulator                        |
| -21  | 4897 617AA  | 1   | J    |        |      | ED0         |       |      | SWITCH, A/C High Pressure Cut Off           |



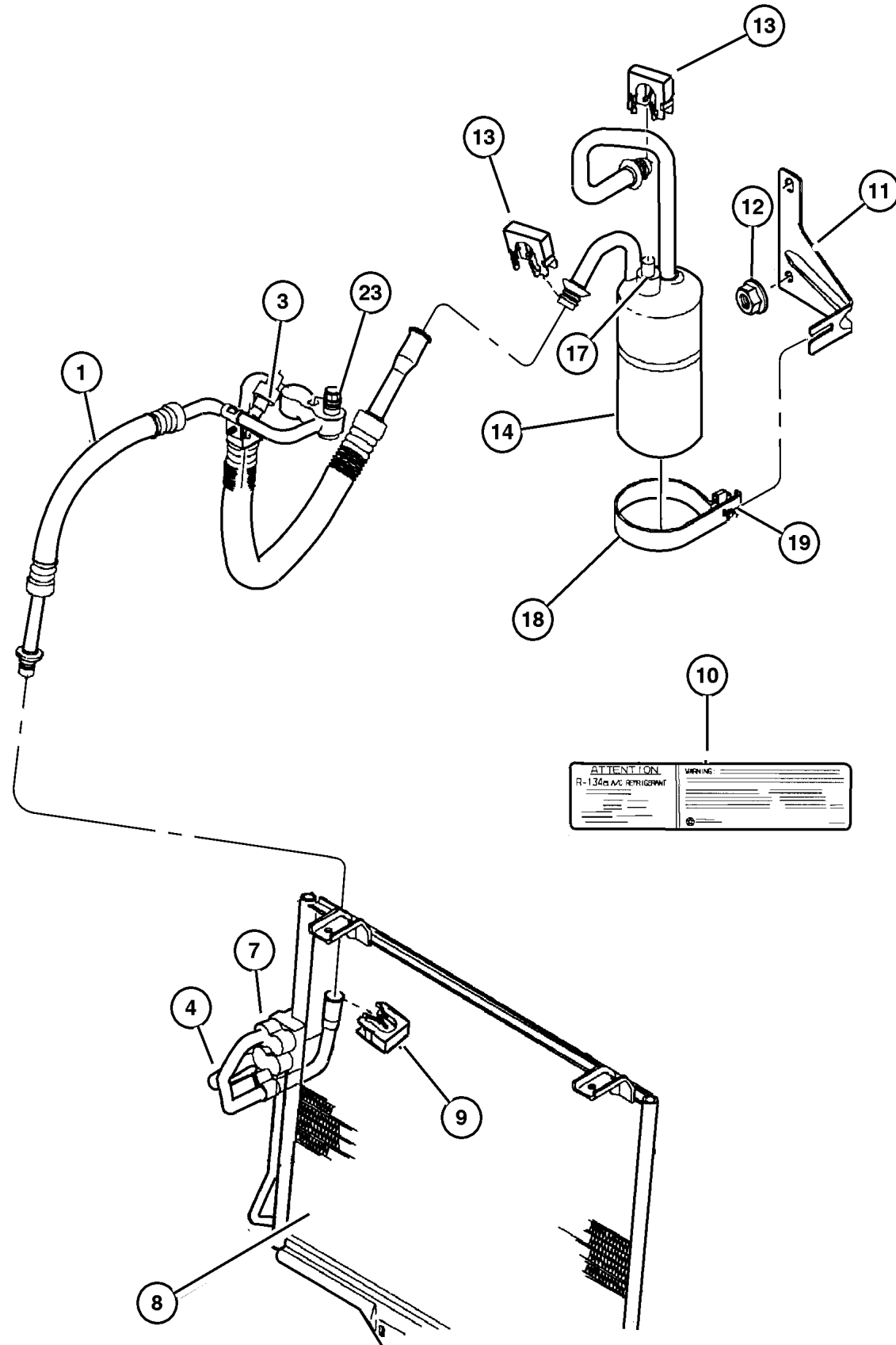
JEEP WRANGLER (TJ)

|             |                        |              |                       |                                 |
|-------------|------------------------|--------------|-----------------------|---------------------------------|
| SERIES      | LINE                   | BODY         | ENGINE                | TRANSMISSION                    |
| H = Sport   | J = Wrangler 4WD       | 77 = 93.4 WB | ED1, ED0 = 2.4L DOHC  | DGG, DGD = 32RH 3 Spd.<br>Auto. |
| L = SE      | U = Wrangler 4WD (RHD) |              | ERH = 4.0L Power Tech | DDD = 5 Speed HD Manual         |
| M = X       |                        |              |                       | DG0 = Auto. Trans.              |
| P = Sahara  |                        |              |                       | DBB = Manual Trans.             |
| S = Rubicon |                        |              |                       | DDK = 5 Speed Manual            |

AR = Use as required - = Non illustrated part # = New this model year

August 27, 2004

Plumbing, Hevac 4.0L Engine, LHD  
Figure 024-235



| ITEM                                   | PART NUMBER | QTY | LINE | SERIES | BODY | ENGINE | TRANS | TRIM | DESCRIPTION                                  |
|--|-------------|-----|------|--------|------|--------|-------|------|--|
| Note: Sales Code ER0 = 4.0L Gas Engine |             |     |      |        |      |        |       |      |  |
| 1                                      | 55037 599AE | 1   |      |        |      | ER0    |       |      | LINE, A/C Discharge, After 10-2-02           |
| -2                                     | 4796 565    | 1   | J    |        |      | ED0    |       |      | O RING, A/C Line, 04796565                   |
| 3                                      | 5096 126AA  | 1   | J    |        |      | ED0    |       |      | SWITCH KIT, A/C - Pressure                   |
| 4                                      | 55037 581AF | 1   | J    |        |      | ER0    |       |      | LINE, A/C Liquid                             |
| -5                                     | 6036 153AA  | 1   |      |        |      | ER0    |       |      | NUT, Hex, .437-14                            |
| -6                                     | 4796 565    | 1   | J    |        |      | ED0    |       |      | O RING, A/C Line                             |
| 7                                      | 5503 6022   | 2   |      |        |      |        |       |      | CLIP, A/C Liquid Line                        |
| 8                                      | 55037 618AF | 1   | J    |        |      |        |       |      | CONDENSER, Air Conditioning, After 10-2-02   |
| 9                                      | 4596 152    | 1   |      |        |      |        |       |      | CLIP, A/C Quick Disconnect                   |
| 10                                     | 55037 555AC | 1   |      |        |      |        |       |      | LABEL, Refrigerant                           |
| 11                                     | 5503 6303   | 1   | J    |        |      | ER0    |       |      | BRACKET, Accumulator                         |
| 12                                     |             |     |      |        |      |        |       |      | NUT, (NOT SERVICED) (Not Serviced)           |
| 13                                     | 4596 152    | 1   |      |        |      |        |       |      | CLIP, A/C Quick Disconnect                   |
| 14                                     | 55037 600AD | 1   | J    |        |      | ER0    |       |      | ACCUMULATOR, Suction Line                    |
| -15                                    | 55037 602AE | 1   | J    |        |      | ER0    |       |      | LINE, A/C Suction                            |
| -16                                    | 4796 564    | 2   | J    |        |      | ER0    |       |      | O RING, A/C Line                             |
| 17                                     | 5015 872AC  | 1   | J    |        |      | ER0    |       |      | SWITCH, A/C Low Pressure Cut Off, 05015872AC |
| 18                                     | 55037 696AA | 1   |      |        |      |        |       |      | BAND, Accumulator Retaining                  |
| 19                                     |             |     |      |        |      |        |       |      | SCREW, (NOT SERVICED) (Not Serviced)         |
| -20                                    | 4897 617AA  | 1   |      |        |      | ER0    |       |      | SWITCH, A/C High Pressure Cut Off            |
| -21                                    | 55037 529AA | 1   |      |        |      | ER0    |       |      | BRACKET, A/C Line                            |
| -22                                    | 5101 886AA  | 1   | J    |        |      | ER0    |       |      | ORIFICE, Liquid Line                         |
| 23                                     | 4882 335    | 1   | J    |        |      | ER0    |       |      | CAP, A/C Check Valve                         |

JEEP WRANGLER (TJ)

| SERIES      | LINE                   | BODY         | ENGINE                | TRANSMISSION                 |
|-------------|------------------------|--------------|-----------------------|------------------------------|
| H = Sport   | J = Wrangler 4WD       | 77 = 93.4 WB | ED1, ED0 = 2.4L DOHC  | DGG, DGD = 32RH 3 Spd. Auto. |
| L = SE      | U = Wrangler 4WD (RHD) |              | ERH = 4.0L Power Tech | DDD = 5 Speed HD Manual      |
| M = X       |                        |              |                       | DG0 = Auto. Trans.           |
| P = Sahara  |                        |              |                       | DBB = Manual Trans.          |
| S = Rubicon |                        |              |                       | DDK = 5 Speed Manual         |

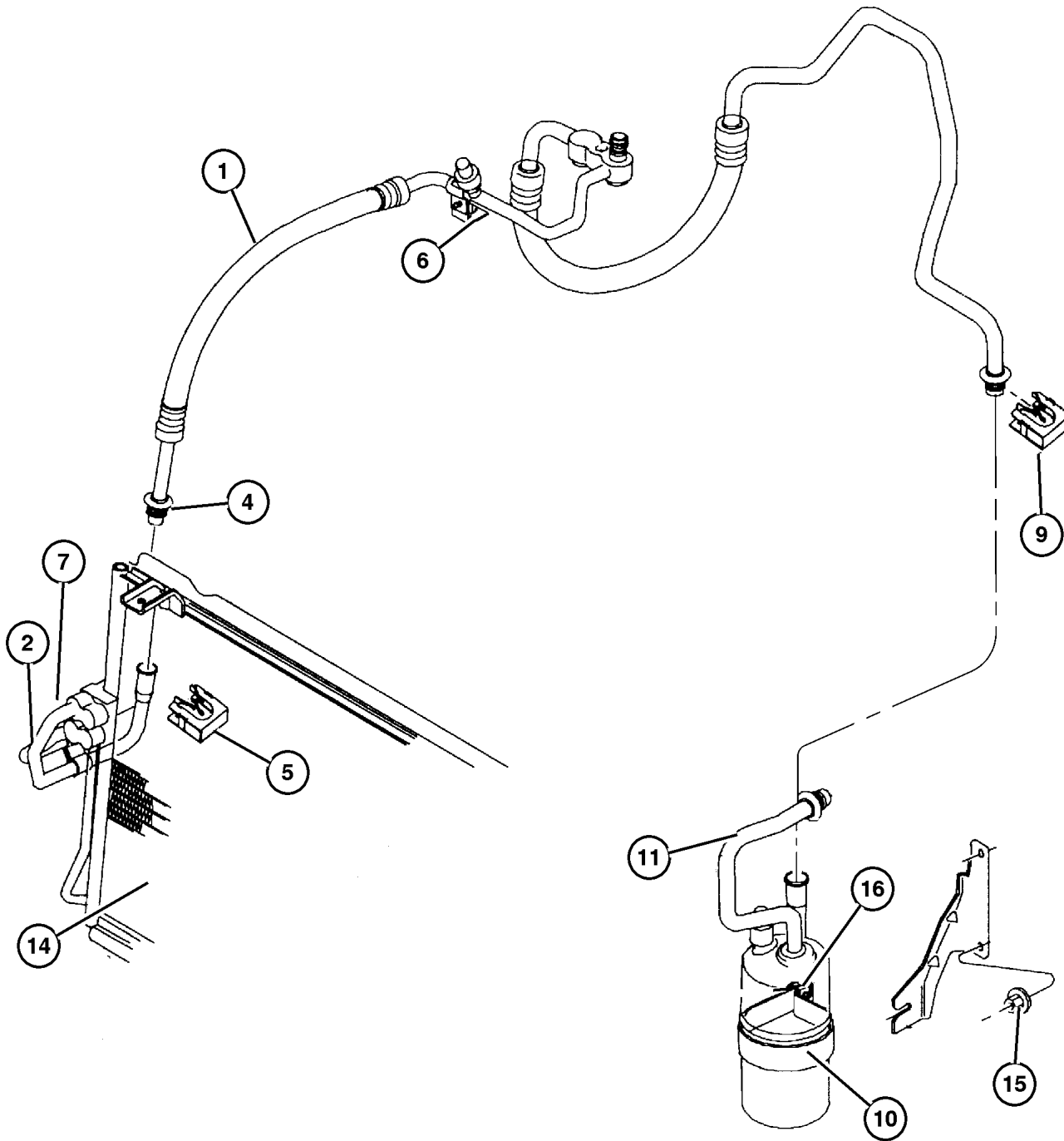
AR = Use as required - = Non illustrated part # = New this model year

August 27, 2004



Plumbing, Hevac 4.0L Engine, RHD  
Figure 024-240

| ITEM                                   | PART NUMBER | QTY | LINE | SERIES | BODY | ENGINE | TRANS | TRIM | DESCRIPTION                          |
|--|-------------|-----|------|--------|------|--------|-------|------|--------------------------------------|
| Note: Sales Code ER0 = 4.0L Gas Engine |             |     |      |        |      |        |       |      |                                      |
| 1                                      | 55037 599AE | 1   |      |        |      | ER0    |       |      | LINE, A/C Discharge                  |
| 2                                      | 55037 583AD | 1   | U    |        | 77   | ER0    |       |      | LINE, A/C Liquid                     |
| -3                                     | 6036 153AA  | 1   |      |        |      | ER0    |       |      | NUT, Hex, .437-14                    |
| 4                                      | 4796 564    | 2   | J    |        |      | ER0    |       |      | O RING, A/C Line, 01942389           |
| 5                                      | 5503 6022   | 2   |      |        |      |        |       |      | CLIP, A/C Liquid Line                |
| 6                                      | 55036 782AB | 1   | U    |        | 77   | ER0    |       |      | RETAINER, A/C Supply Line            |
| 7                                      | 55037 582AE | 1   | U    |        | 77   | ER0    |       |      | TUBE, A/C Liquid Line                |
| -8                                     | 4596 152    | 1   | U    |        | 77   |        |       |      | CLIP, A/C Quick Disconnect           |
| 9                                      | 5503 6304   | 1   | U    |        | 77   |        |       |      | BRACKET, Accumulator                 |
| 10                                     | 55037 696AA | 1   |      |        |      |        |       |      | BAND, Accumulator Retaining          |
| 11                                     | 55037 585AA | 1   | U    |        | 77   | ER0    |       |      | ACCUMULATOR, Suction Line            |
| -12                                    | 55037 601AB | 1   | U    |        | 77   | ER0    |       |      | LINE, A/C Suction                    |
| -13                                    | 4596 152    | 1   | U    |        | 77   |        |       |      | CLIP, A/C Quick Disconnect           |
| 14                                     | 55037 619AF | 1   | U    |        | 77   | ER0    |       |      | CONDENSER, Air Conditioning          |
| 15                                     |             |     |      |        |      |        |       |      | NUT, (NOT SERVICED) (Not Serviced)   |
| 16                                     |             |     |      |        |      |        |       |      | SCREW, (NOT SERVICED) (Not Serviced) |
| -17                                    | 4897 617AA  | 1   |      |        |      | ER0    |       |      | SWITCH, A/C High Pressure Cut Off    |
| -18                                    | 5101 886AA  | 1   | J    |        |      | ER0    |       |      | ORIFICE, Liquid Line                 |



JEEP WRANGLER (TJ)

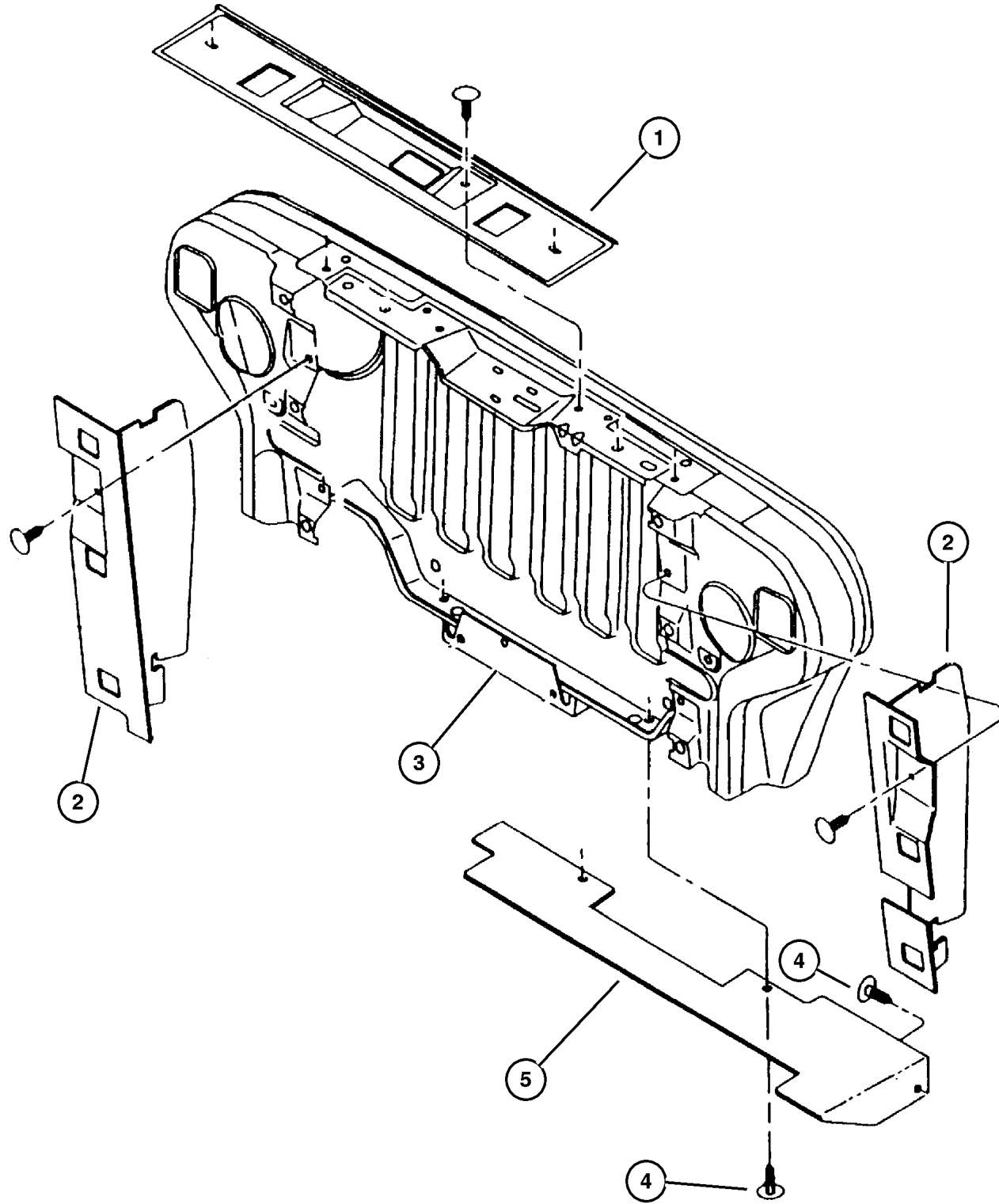
|             |                        |              |                       |                              |
|-------------|------------------------|--------------|-----------------------|------------------------------|
| SERIES      | LINE                   | BODY         | ENGINE                | TRANSMISSION                 |
| H = Sport   | J = Wrangler 4WD       | 77 = 93.4 WB | ED1, ED0 = 2.4L DOHC  | DGG, DGD = 32RH 3 Spd. Auto. |
| L = SE      | U = Wrangler 4WD (RHD) |              | ERH = 4.0L Power Tech | DDD = 5 Speed HD Manual      |
| M = X       |                        |              |                       | DG0 = Auto. Trans.           |
| P = Sahara  |                        |              |                       | DBB = Manual Trans.          |
| S = Rubicon |                        |              |                       | DDK = 5 Speed Manual         |

AR = Use as required - = Non illustrated part # = New this model year

August 27, 2004

Seals, A/C Condenser  
Figure 024-245

| ITEM | PART NUMBER | QTY | LINE | SERIES | BODY | ENGINE | TRANS | TRIM | DESCRIPTION                          |
|------|-------------|-----|------|--------|------|--------|-------|------|--------------------------------------|
| 1    | 5503 6369   | 1   |      |        |      |        |       |      | SEAL, Condenser                      |
| 2    | 55036 866AC | 1   |      |        |      |        |       |      | SEAL, Condenser                      |
| 3    | 5503 6867   | 1   |      |        |      |        |       |      | SEAL, Condenser, Condenser to Grille |
| 4    | 6030 441    | 12  |      |        |      |        |       |      | PIN, Retainer, Push                  |
| 5    | 5503 6369   | 1   |      |        |      |        |       |      | SEAL, Condenser, Lower               |



|                           |                        |              |                       |                              |
|---------------------------|------------------------|--------------|-----------------------|------------------------------|
| <b>JEEP WRANGLER (TJ)</b> |                        |              |                       |                              |
| SERIES                    | LINE                   | BODY         | ENGINE                | TRANSMISSION                 |
| H = Sport                 | J = Wrangler 4WD       | 77 = 93.4 WB | ED1, ED0 = 2.4L DOHC  | DGG, DGD = 32RH 3 Spd. Auto. |
| L = SE                    | U = Wrangler 4WD (RHD) |              | ERH = 4.0L Power Tech | DDD = 5 Speed HD Manual      |
| M = X                     |                        |              |                       | DG0 = Auto. Trans.           |
| P = Sahara                |                        |              |                       | DBB = Manual Trans.          |
| S = Rubicon               |                        |              |                       | DDK = 5 Speed Manual         |

AR = Use as required - = Non illustrated part # = New this model year

August 27, 2004

**Control, Heater And A/c  
Figure 024-310**

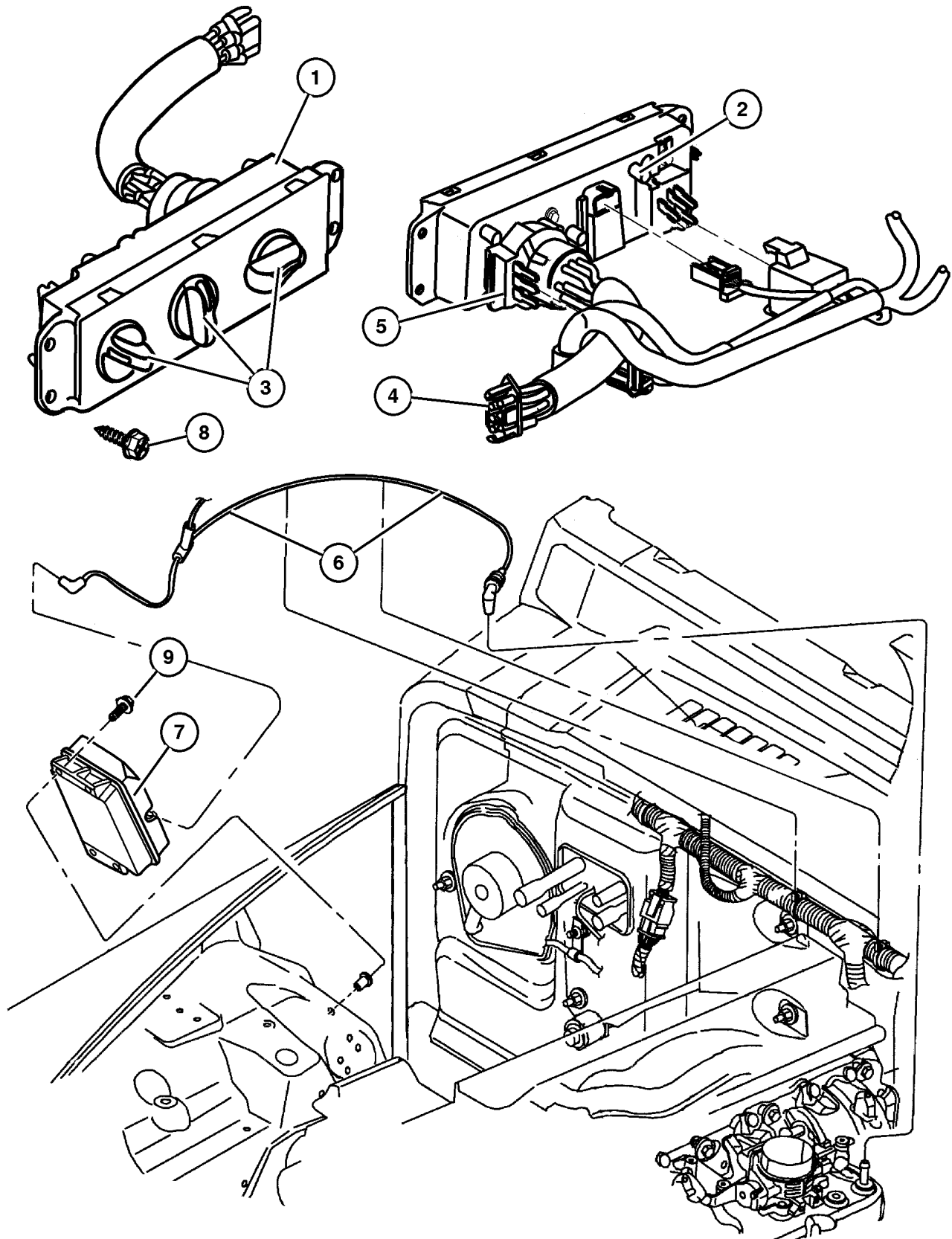
| ITEM                                   | PART NUMBER | QTY | LINE | SERIES | BODY | ENGINE | TRANS | TRIM | DESCRIPTION  |
|--|-------------|-----|------|--------|------|--------|-------|------|--|
| Note: Sales Code ED0 = 2.4L Gas Engine |             |     |      |        |      |        |       |      |  |
| Note: Sales Code ER0 = 4.0L Gas Engine |             |     |      |        |      |        |       |      |  |
| 1                                      | 55037 612AA | 1   | J    |        |      |        |       |      | CONTROL, A/C And Heater<br>With [HA0]                    |
|  | 55037 611AA | 1   | J    |        |      |        |       |      | With [HC0]   |
|  | 55037 472AB | 1   | U    |        | 77   |        |       |      | With [HC0]   |
|  | 55037 473AB | 1   | U    |        | 77   |        |       |      | With [HA0]   |
| 2                                      | 5013 829AA  | 1   | U    |        | 77   |        |       |      | BULB, Heater and A/C Control                             |
| 3                                      | 5011 218AC  | 1   | J    |        |      |        |       |      | KNOB, A/C And Heater Control -<br>Rotary                 |
| 4                                      | 5013 830AA  | 1   | U    |        | 77   |        |       |      | HARNESS, A/C And Heater Vacuum<br>With [HC0]             |
|  | 5013 831AA  | 1   | U    |        | 77   |        |       |      | With [HA0]   |
| 5                                      | 5013 832AA  | 1   | U    |        | 77   |        |       |      | SWITCH, A/C and Heater Vacuum<br>With [HC0]              |
|  | 5013 833AA  | 1   | U    |        | 77   |        |       |      | With [HA0]   |
| 6                                      |             |     |      |        |      |        |       |      | HOSE AND VALVE, Vacuum                                   |
|  | 55037 576AC | 1   | J    |        |      | ED0    |       |      |  |
|  | 55037 637AB | 1   | J    |        |      | ER0    |       |      |  |
| 7                                      | 5503 5614   | 1   |      |        |      |        |       |      | RESERVOIR, Vacuum, Cruise<br>Control                     |
| 8                                      | 6034 205    | 2   |      |        |      |        |       |      | SCREW, Pan Head, .19-32x.625                             |
| 9                                      |             |     |      |        |      |        |       |      | SCREW, M4.2x1.69x19.05, (NOT<br>SERVICED) (Not Serviced) |

**JEEP WRANGLER (TJ)**

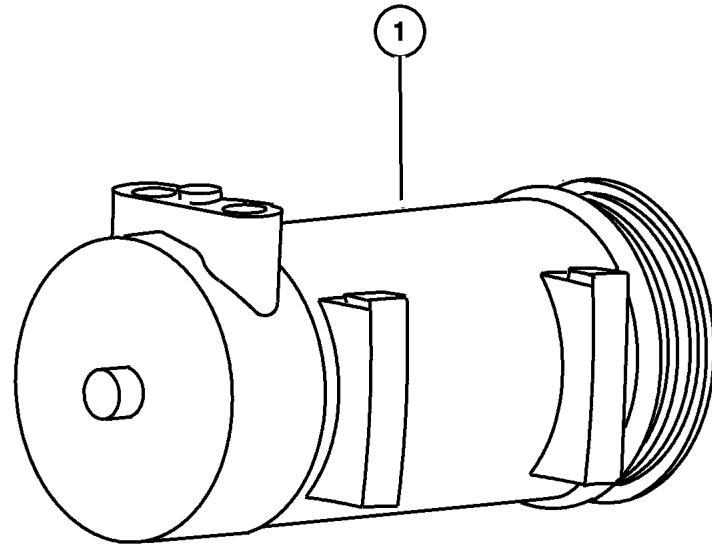
|             |                        |              |                       |                                 |
|-------------|------------------------|--------------|-----------------------|---------------------------------|
| SERIES      | LINE                   | BODY         | ENGINE                | TRANSMISSION                    |
| H = Sport   | J = Wrangler 4WD       | 77 = 93.4 WB | ED1, ED0 = 2.4L DOHC  | DGG, DGD = 32RH 3 Spd.<br>Auto. |
| L = SE      | U = Wrangler 4WD (RHD) |              | ERH = 4.0L Power Tech | DDD = 5 Speed HD Manual         |
| M = X       |                        |              |                       | DG0 = Auto. Trans.              |
| P = Sahara  |                        |              |                       | DBB = Manual Trans.             |
| S = Rubicon |                        |              |                       | DDK = 5 Speed Manual            |

AR = Use as required - = Non illustrated part # = New this model year

August 27, 2004



**Compressor, Air Conditioning  
Figure 024-410**



| ITEM                                   | PART NUMBER | QTY | LINE | SERIES | BODY | ENGINE | TRANS | TRIM | DESCRIPTION                             |
|--|-------------|-----|------|--------|------|--------|-------|------|---|
| Note: Sales Code ED0 = 2.4L Gas Engine |             |     |      |        |      |        |       |      |   |
| Note: Sales Code ER0 = 4.0L Gas Engine |             |     |      |        |      |        |       |      |   |
| 1                                      |             |     |      |        |      |        |       |      | COMPRESSOR, Air Conditioning            |
|  | 55037 578AC | 1   |      |        |      | ED0    |       |      |   |
|  | 55037 617AD | 1   |      |        |      | ER0    |       |      |   |
| -2                                     | 5014 092AA  | 1   |      |        |      | ER0    |       |      | CLUTCH, A/C Compressor, Shim Package    |
| -3                                     | 5003 681AA  | 1   |      |        |      | ER0    |       |      | COIL, Air Conditioning Clutch           |
| -4                                     | 4720 834    | 1   |      |        |      | ER0    |       |      | PULLEY HUB KIT, A/C Compressor          |
| -5                                     | 5014 093AA  | 1   |      |        |      | ER0    |       |      | MANIFOLD KIT, A/C Compressor            |
| -6                                     | 6507 372AA  | 2   |      |        |      | ED0    |       |      | STUD, Double Ended, Compressor Mounting |

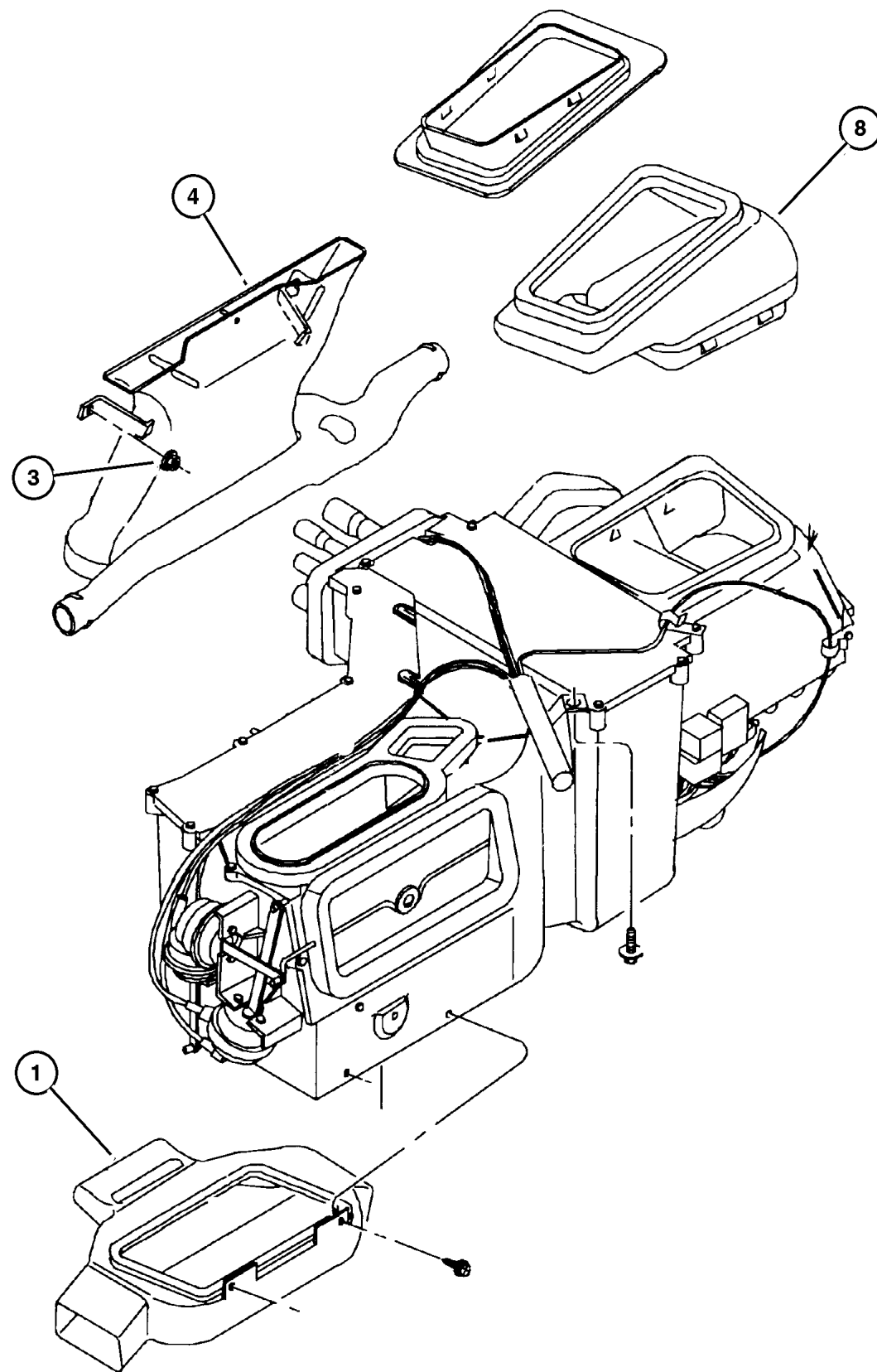
**JEEP WRANGLER (TJ)**

|             |                        |              |                       |                              |
|-------------|------------------------|--------------|-----------------------|------------------------------|
| SERIES      | LINE                   | BODY         | ENGINE                | TRANSMISSION                 |
| H = Sport   | J = Wrangler 4WD       | 77 = 93.4 WB | ED1, ED0 = 2.4L DOHC  | DGG, DGD = 32RH 3 Spd. Auto. |
| L = SE      | U = Wrangler 4WD (RHD) |              | ERH = 4.0L Power Tech | DDD = 5 Speed HD Manual      |
| M = X       |                        |              |                       | DG0 = Auto. Trans.           |
| P = Sahara  |                        |              |                       | DBB = Manual Trans.          |
| S = Rubicon |                        |              |                       | DDK = 5 Speed Manual         |

AR = Use as required - = Non illustrated part # = New this model year

August 27, 2004

Ducts, Heater And A/c  
Figure 024-610



| ITEM | PART NUMBER | QTY | LINE | SERIES | BODY | ENGINE | TRANS | TRIM | DESCRIPTION                       |
|------|-------------|-----|------|--------|------|--------|-------|------|-----------------------------------|
| 1    | 4874 089    | 1   | U    |        | 77   |        |       |      | DUCT, Floor Distribution          |
| -2   | 55037 598AC | 1   | U    |        | 77   |        |       |      | DUCT, A/C Outlet                  |
| 3    | 6100 839    | 2   |      |        |      |        |       |      | NUT, Push, M5                     |
| 4    |             |     |      |        |      |        |       |      | DUCT, Door Demister               |
|      | 5511 5576   | 1   | J    |        |      |        |       |      | Right                             |
|      | 5511 5577   | 1   | J    |        |      |        |       |      | Left                              |
|      | 5511 5576   | 1   | U    |        | 77   |        |       |      | Right                             |
|      | 5511 5577   | 1   | U    |        | 77   |        |       |      | Left                              |
| -5   |             |     |      |        |      |        |       |      | ADAPTER, Demister                 |
|      | 55037 640AA | 1   | J    |        |      |        |       |      | Right                             |
|      | 55037 641AA | 1   | J    |        |      |        |       |      | Left                              |
|      | 55037 640AA | 1   | U    |        | 77   |        |       |      | Right                             |
|      | 55037 641AA | 1   | U    |        | 77   |        |       |      | Left                              |
| -6   | 5511 5161   | 1   | J    |        |      |        |       |      | DUCT, Defroster, Demister         |
| -7   | 5503 6468   | 1   | U    |        | 77   |        |       |      | DUCT, Demister, Demister          |
| 8    |             |     |      |        |      |        |       |      | DUCT, Fresh Air                   |
|      | 55037 540AA | 1   | J    |        |      |        |       |      |                                   |
|      | 55037 541AA | 1   | U    |        | 77   |        |       |      |                                   |
| -9   | 55036 467AB | 1   | U    |        | 77   |        |       |      | DUCT, Fresh Air Intake            |
| -10  |             |     |      |        |      |        |       |      | OUTLET, Air Conditioning & Heater |
|      | 5DP5 4XDV   | 1   | J    |        |      |        |       |      | [DV], Right                       |
|      |             | 1   | U    |        | 77   |        |       |      | [DV], Right                       |
|      | 5DP5 4ZJ3   | 1   | J    |        |      |        |       |      | [J3], Right                       |
|      |             | 1   | U    |        | 77   |        |       |      | [J3], Right                       |
|      | 5DP5 5XDV   | 1   | J    |        |      |        |       |      | [DV], Left                        |
|      |             | 1   | U    |        | 77   |        |       |      | [DV], Left                        |
|      | 5DP5 5ZJ3   | 1   | J    |        |      |        |       |      | [J3], Left                        |
|      |             | 1   | U    |        | 77   |        |       |      | [J3], Left                        |

JEEP WRANGLER (TJ)

|             |                        |              |                       |                              |
|-------------|------------------------|--------------|-----------------------|------------------------------|
| SERIES      | LINE                   | BODY         | ENGINE                | TRANSMISSION                 |
| H = Sport   | J = Wrangler 4WD       | 77 = 93.4 WB | ED1, ED0 = 2.4L DOHC  | DGG, DGD = 32RH 3 Spd. Auto. |
| L = SE      | U = Wrangler 4WD (RHD) |              | ERH = 4.0L Power Tech | DDD = 5 Speed HD Manual      |
| M = X       |                        |              |                       | DG0 = Auto. Trans.           |
| P = Sahara  |                        |              |                       | DBB = Manual Trans.          |
| S = Rubicon |                        |              |                       | DDK = 5 Speed Manual         |

AR = Use as required - = Non illustrated part # = New this model year

August 27, 2004

# Group – 025

## Emission Systems

### GROUP 25 - Emission Systems

Illustration Title

Group-Fig. No.

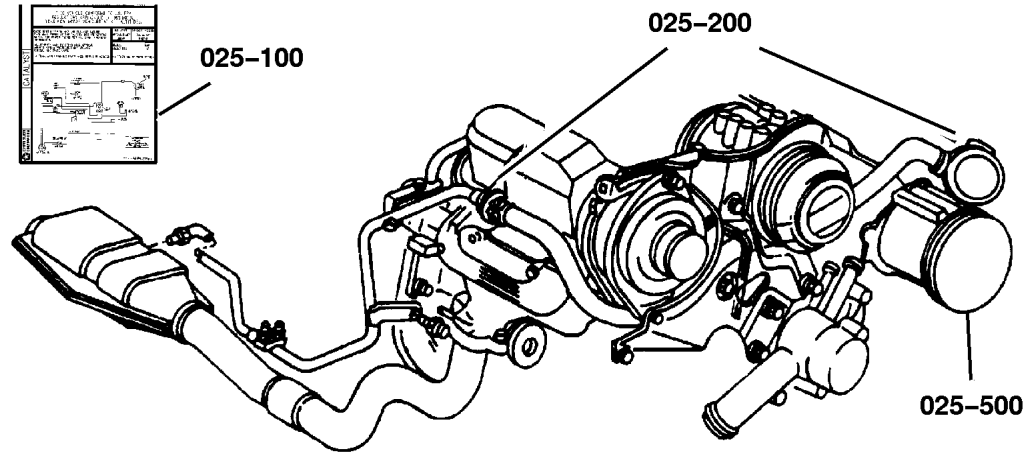
#### Vacuum Canister

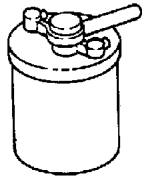
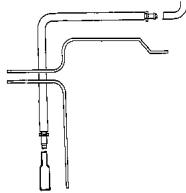
Vacuum Canister, 2.4 (ED1), 4.0 (ERH) ..... Fig. 025-310

#### Emission Harness

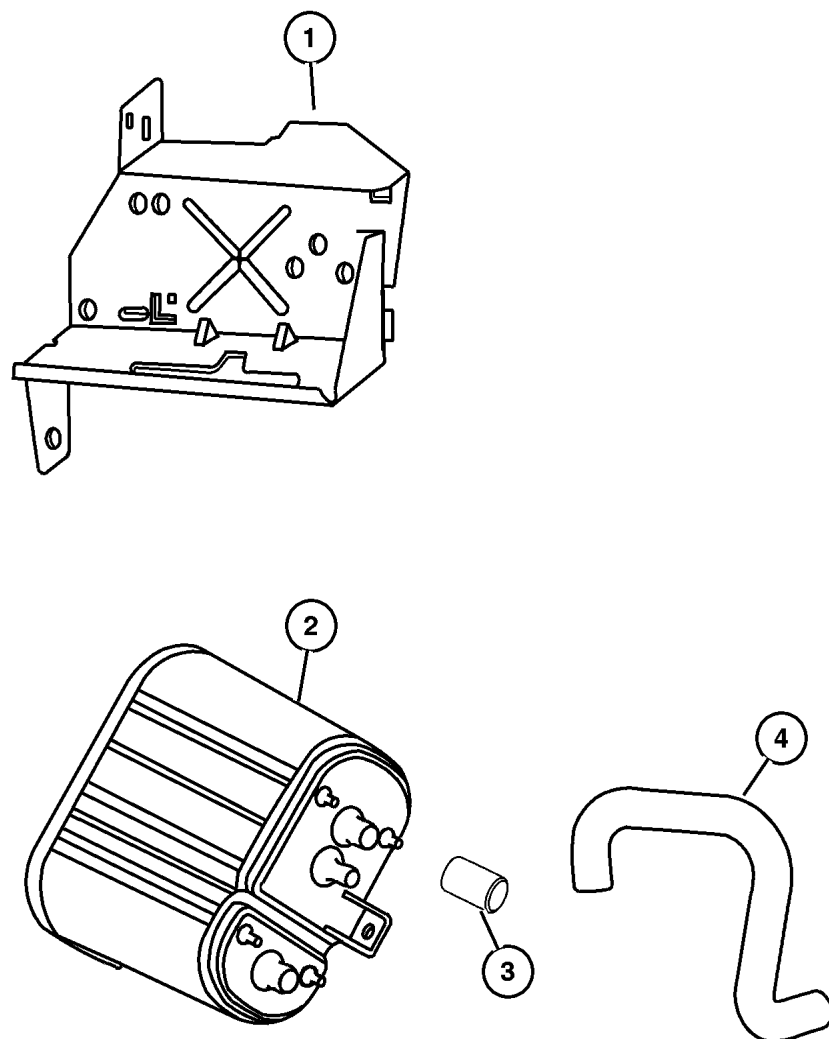
Emission Control Vacuum Harness, 2.4 (EP1), 4.0 (ERH) ..... Fig. 025-410

Leak Detection Pump, 2.4 (ED1), 4.0 (ERH) ..... Fig. 025-420



|   |  |  |  |
|---|--|--|--|
| <p><b>025-300</b><br/>Vacuum Canister</p>  | <p><b>025-400</b><br/>Emission Harness</p>  |  |  |
|---|--|--|--|

Vacuum Canister, 2.4 (ED1), 4.0 (ERH)  
Figure 025-310



| ITEM   | PART NUMBER | QTY | LINE | SERIES | BODY | ENGINE | TRANS | TRIM | DESCRIPTION  |
|--|-------------|-----|------|--------|------|--------|-------|------|--|
| Note:[ED1]= All 2.4 Gas Engines,[ ERO]= All 4.0 Gas Engines. |             |     |      |        |      |        |       |      |  |
| 1  | 52059 627AB | 1   |      |        |      |        |       |      | BRACKET, Vapor Canister<br>[NAS]<br>[NA1]  |
| 2  | 52059 630AB | 1   |      |        |      |        |       |      | CANISTER, Vapor<br>[NAS]<br>[NA1]  |
| 3  | 52059 544AA | 1   |      |        |      |        |       |      | CAP, Vapor Canister<br>[NAS]<br>[NA1]  |
| 4  | 52059 628AA | 1   |      |        |      |        |       |      | HOSE, Canister to NVLD<br>[NAS]<br>[NA1]   |
| -5   | 6101 447    | 4   |      |        |      |        |       |      | NUT AND WASHER, M6x1.00,<br>[M8X1.256101447]<br>[NAS] Bracket to Body<br>[NA1] Bracket to Body |
| -6   | 6503 951    | 4   |      |        |      |        |       |      | STUD, M6X1.00X.250-14X30.00<br>[NAS]<br>[NA1]  |
| -7   | 5602 1384   | 2   |      |        |      |        |       |      | CLIP, Wiring, Canister Wiring  |
| -8   | 52059 631AA | 1   |      |        |      |        |       |      | HOSE, Flow Valve to Canister<br>[NAS]<br>[NA1]   |
| -9   | 52059 637AB | 1   |      |        |      |        |       |      | HOSE, Filter to Canister   |
| -10  | 6101 916    | 1   |      |        |      |        |       |      | NUT, Hex Weld, M8x1.25<br>[NAS]<br>[NA1]   |

JEEP WRANGLER (TJ)

| SERIES      | LINE                   | BODY         | ENGINE                | TRANSMISSION                    |
|-------------|------------------------|--------------|-----------------------|---------------------------------|
| H = Sport   | J = Wrangler 4WD       | 77 = 93.4 WB | ED1, ED0 = 2.4L DOHC  | DGG, DGD = 32RH 3 Spd.<br>Auto. |
| L = SE      | U = Wrangler 4WD (RHD) |              | ERH = 4.0L Power Tech | DDD = 5 Speed HD Manual         |
| M = X       |                        |              |                       | DG0 = Auto. Trans.              |
| P = Sahara  |                        |              |                       | DBB = Manual Trans.             |
| S = Rubicon |                        |              |                       | DDK = 5 Speed Manual            |

AR = Use as required - = Non illustrated part # = New this model year

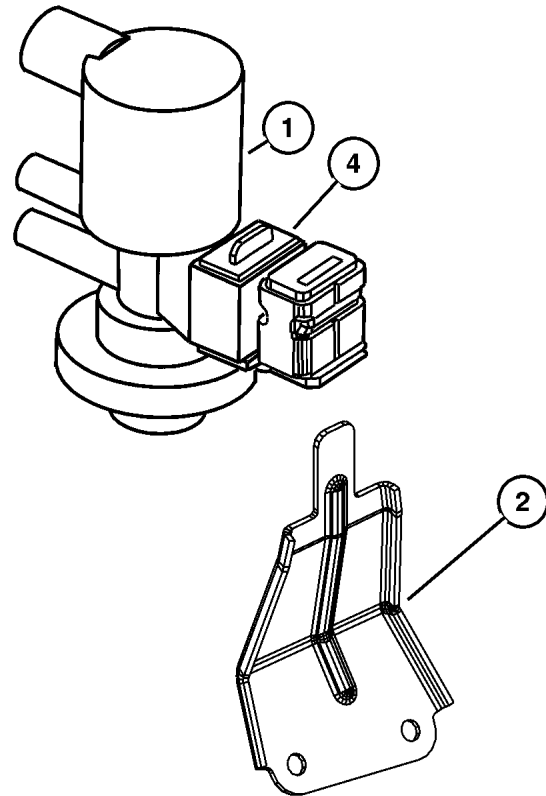
August 27, 2004

**Emission Control Vacuum Harness, 2.4 (EP1), 4.0 (ERH)  
Figure 025-410**

| ITEM | PART NUMBER | QTY | LINE | SERIES | BODY | ENGINE | TRANS | TRIM | DESCRIPTION |
|------|-------------|-----|------|--------|------|--------|-------|------|-------------|
|------|-------------|-----|------|--------|------|--------|-------|------|-------------|

NOTE:[ ED1]=All 2.4L Gas Engines [ ER0]=All 4.0L Engines,  
[ DDQ]= Manual Transmissions

|    |             |   |  |  |  |  |  |  |   |
|----|-------------|---|--|--|--|--|--|--|---|
| 1  | 4669 940AB  | 1 |  |  |  |  |  |  | SOLENOID, Proportional Purge                  |
| 2  |             |   |  |  |  |  |  |  | BRACKET, Duty Cycle Purge Solenoid            |
|    | 52059 549AA | 1 |  |  |  |  |  |  | With Out Speed Control                        |
| -3 |             | 1 |  |  |  |  |  |  | HARNES, Vacuum Canister Purge, (NOT REQUIRED) |
| 4  | 5303 0987   | 1 |  |  |  |  |  |  | BUSHING, Isolator                             |



**JEEP WRANGLER (TJ)**

|             |                        |              |                       |                              |
|-------------|------------------------|--------------|-----------------------|------------------------------|
| SERIES      | LINE                   | BODY         | ENGINE                | TRANSMISSION                 |
| H = Sport   | J = Wrangler 4WD       | 77 = 93.4 WB | ED1, ED0 = 2.4L DOHC  | DGG, DGD = 32RH 3 Spd. Auto. |
| L = SE      | U = Wrangler 4WD (RHD) |              | ERH = 4.0L Power Tech | DDD = 5 Speed HD Manual      |
| M = X       |                        |              |                       | DG0 = Auto. Trans.           |
| P = Sahara  |                        |              |                       | DBB = Manual Trans.          |
| S = Rubicon |                        |              |                       | DDK = 5 Speed Manual         |

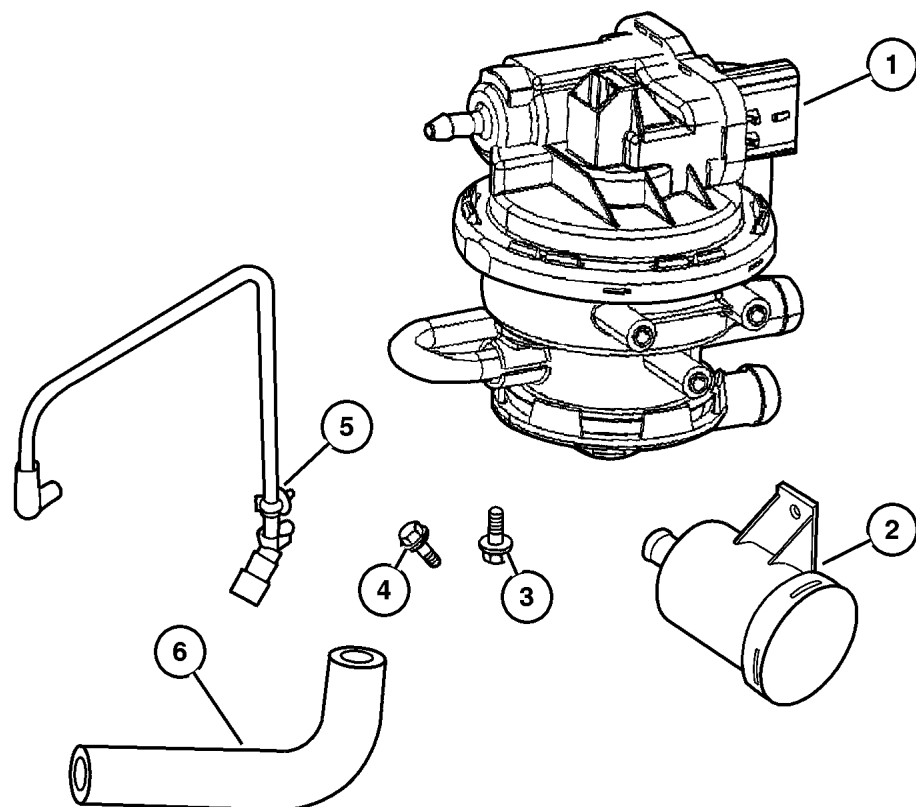
AR = Use as required - = Non illustrated part # = New this model year

August 27, 2004



**Leak Detection Pump, 2.4 (ED1), 4.0 (ERH)  
Figure 025-420**

| ITEM  | PART NUMBER | QTY | LINE | SERIES | BODY | ENGINE | TRANS | TRIM | DESCRIPTION   |
|---|-------------|-----|------|--------|------|--------|-------|------|---|
| Note; ED1= All 24L Gas Engines, ERO= All 4.0 Gas Engines. |             |     |      |        |      |        |       |      |   |
| 1   | 4891 427AB  | 1   |      |        |      |        |       |      | DETECTOR, Natural Vacuum Leak Detection, [NAS]  |
| 2   | 4891 564AB  | 1   |      |        |      |        |       |      | FILTER, Leak Detection Pump Base [NAS]  |
| 3   |             | 1   |      |        |      |        |       |      | [NA1]<br>SCREW, Hex Flange Head Tapping, .25-14x.75, M6x1.00x11.00, (NOT SERVICED) (Not Serviced) |
| 4   |             |     |      |        |      |        |       |      | SCREW, Heat Shield, M6x1.00x13.00, M5.28x1.8x15.0, (NOT SERVICED) (Not Serviced)                  |
| 5   | 52059 628AA | 1   |      |        |      |        |       |      | HOSE, Canister to NVLD, [NAS]   |
| 6   | 52059 633AB | 1   |      |        |      |        |       |      | HOSE, NVLD to Filter, [NAS]   |



|                           |                        |              |                       |                              |
|---------------------------|------------------------|--------------|-----------------------|------------------------------|
| <b>JEEP WRANGLER (TJ)</b> |                        |              |                       |                              |
| SERIES                    | LINE                   | BODY         | ENGINE                | TRANSMISSION                 |
| H = Sport                 | J = Wrangler 4WD       | 77 = 93.4 WB | ED1, ED0 = 2.4L DOHC  | DGG, DGD = 32RH 3 Spd. Auto. |
| L = SE                    | U = Wrangler 4WD (RHD) |              | ERH = 4.0L Power Tech | DDD = 5 Speed HD Manual      |
| M = X                     |                        |              |                       | DG0 = Auto. Trans.           |
| P = Sahara                |                        |              |                       | DBB = Manual Trans.          |
| S = Rubicon               |                        |              |                       | DDK = 5 Speed Manual         |

AR = Use as required - = Non illustrated part # = New this model year

August 27, 2004

# Group – DTJ

## Doors and Related Parts

### GROUP DTJ - Doors and Related Parts

Illustration Title

Group-Fig. No.

#### Front Door

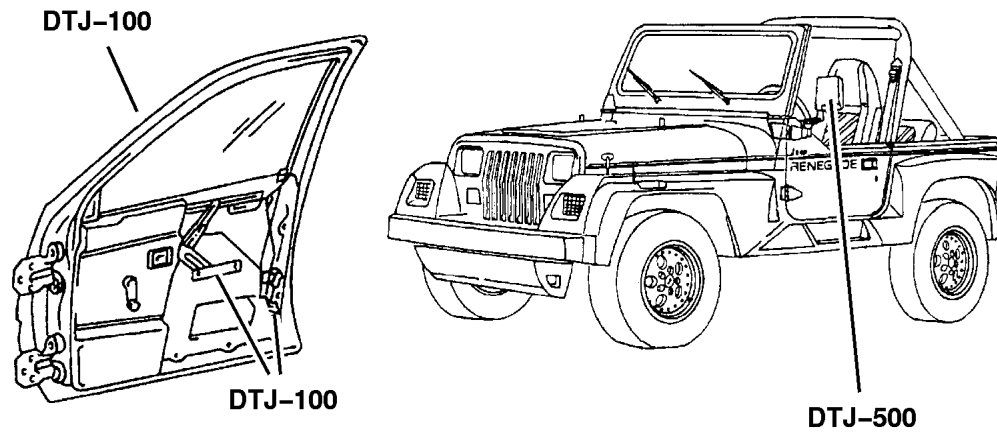
|  |              |
|--|--------------|
| Door, Full Front Shell And Hinges .....    | Fig. DTJ-110 |
| Door, Full Front Glass And Regulator ..... | Fig. DTJ-120 |
| Door, Full Front Lock And Controls .....   | Fig. DTJ-130 |
| Door, Half Front Shell And Hinges .....    | Fig. DTJ-160 |
| Door, Half Front Lock And Controls .....   | Fig. DTJ-170 |

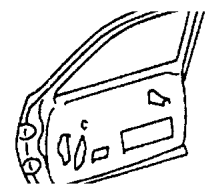
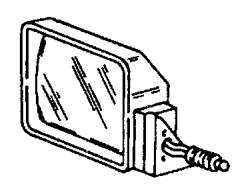
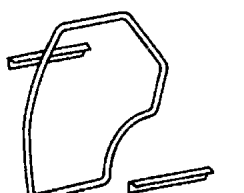
#### Exterior Mirror

|                        |              |
|------------------------|--------------|
| Mirror, Exterior ..... | Fig. DTJ-510 |
|------------------------|--------------|

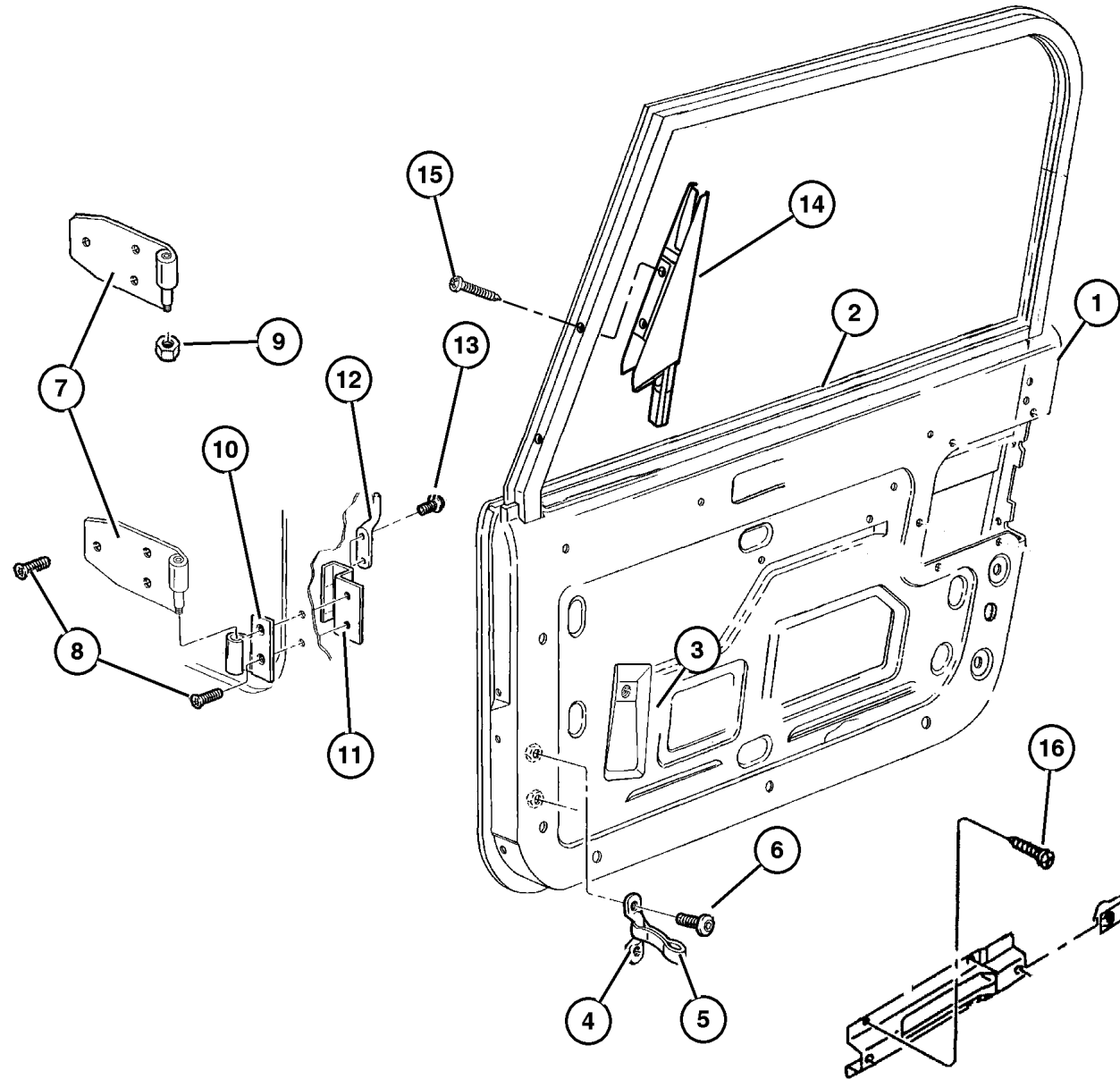
#### Weatherstrips and Seals

|                                   |              |
|-----------------------------------|--------------|
| Door Weatherstrips And Runs ..... | Fig. DTJ-610 |
|-----------------------------------|--------------|



|  |   |  |  |
|--|---|--|--|
| <p><b>DTJ-100</b><br/>Front Door</p>  | <p><b>DTJ-500</b><br/>Exterior Mirror</p>  | <p><b>DTJ-600</b><br/>Weatherstrips and Seals</p>  |  |
|--|---|--|--|

## Door, Full Front Shell And Hinges Figure DTJ-110



| ITEM | PART NUMBER | QTY | LINE | SERIES | BODY | ENGINE | TRANS | TRIM | DESCRIPTION                          |
|------|-------------|-----|------|--------|------|--------|-------|------|--------------------------------------|
| 1    |             |     |      |        |      |        |       |      | DOOR, Front, Shell                   |
|      | 55176 536AF | 1   |      |        |      |        |       |      | [GCF], Right                         |
|      | 55176 537AF | 1   |      |        |      |        |       |      | [GCF], Left                          |
| 2    |             |     |      |        |      |        |       |      | PANEL, Door Outer                    |
|      | 55176 540AB | 1   |      |        |      |        |       |      | Right                                |
|      | 55176 541AB | 1   |      |        |      |        |       |      | Left                                 |
| 3    |             |     |      |        |      |        |       |      | WATERSHIELD, Front Door              |
|      | 55175 786AH | 1   |      |        |      |        |       |      | Right                                |
|      | 55175 787AH | 1   |      |        |      |        |       |      | Left                                 |
| 4    | 5501 3666   | 2   |      |        |      |        |       |      | FOOTMAN LOOP, Hold Down              |
| 5    | 55176 339AC | 2   |      |        |      |        |       |      | CHECK, Front Door                    |
| 6    | 6036 102AA  | 4   |      |        |      |        |       |      | SCREW, .19-24.50                     |
| 7    |             |     |      |        |      |        |       |      | HINGE, Door Half                     |
|      | 5517 6366   | 1   |      |        |      | 77     |       |      | Lower Right                          |
|      | 5517 6367   | 1   |      |        |      | 77     |       |      | Lower Left                           |
|      | 5517 6368   | 1   |      |        |      | 77     |       |      | Upper Right                          |
|      | 5517 6369   | 1   |      |        |      | 77     |       |      | Upper Left                           |
| 8    | 6504 443    | 12  |      |        |      |        |       |      | SCREW                                |
| 9    | 6504 417    | 4   |      |        |      |        |       |      | NUT, Hex, M8x1.25                    |
| 10   |             |     |      |        |      |        |       |      | HINGE, Body Half                     |
|      | 55075 560AC | 1   |      |        |      | 77     |       |      | Right                                |
|      | 55075 561AC | 1   |      |        |      | 77     |       |      | Left                                 |
| 11   | J545 9281   | 2   |      |        |      |        |       |      | TAPPING PLATE, Door Hinge Body Half  |
| 12   | J545 9286   | 2   |      |        |      |        |       |      | PIN, Restraint Strap, j5459286       |
| 13   | 6501 979    | 2   |      |        |      |        |       |      | SCREW AND WASHER, Hex Head, M6x1x17  |
| 14   |             |     |      |        |      |        |       |      | PANEL, Door Outer                    |
|      | 55176 568AC | 1   |      |        |      |        |       |      | Sail, Right                          |
|      | 55176 569AC | 1   |      |        |      |        |       |      | Sail, Left                           |
| 15   |             |     |      |        |      |        |       |      | SCREW, (NOT SERVICED) (Not Serviced) |
| 16   |             |     |      |        |      |        |       |      | SCREW, (NOT SERVICED) (Not Serviced) |

### JEEP WRANGLER (TJ)

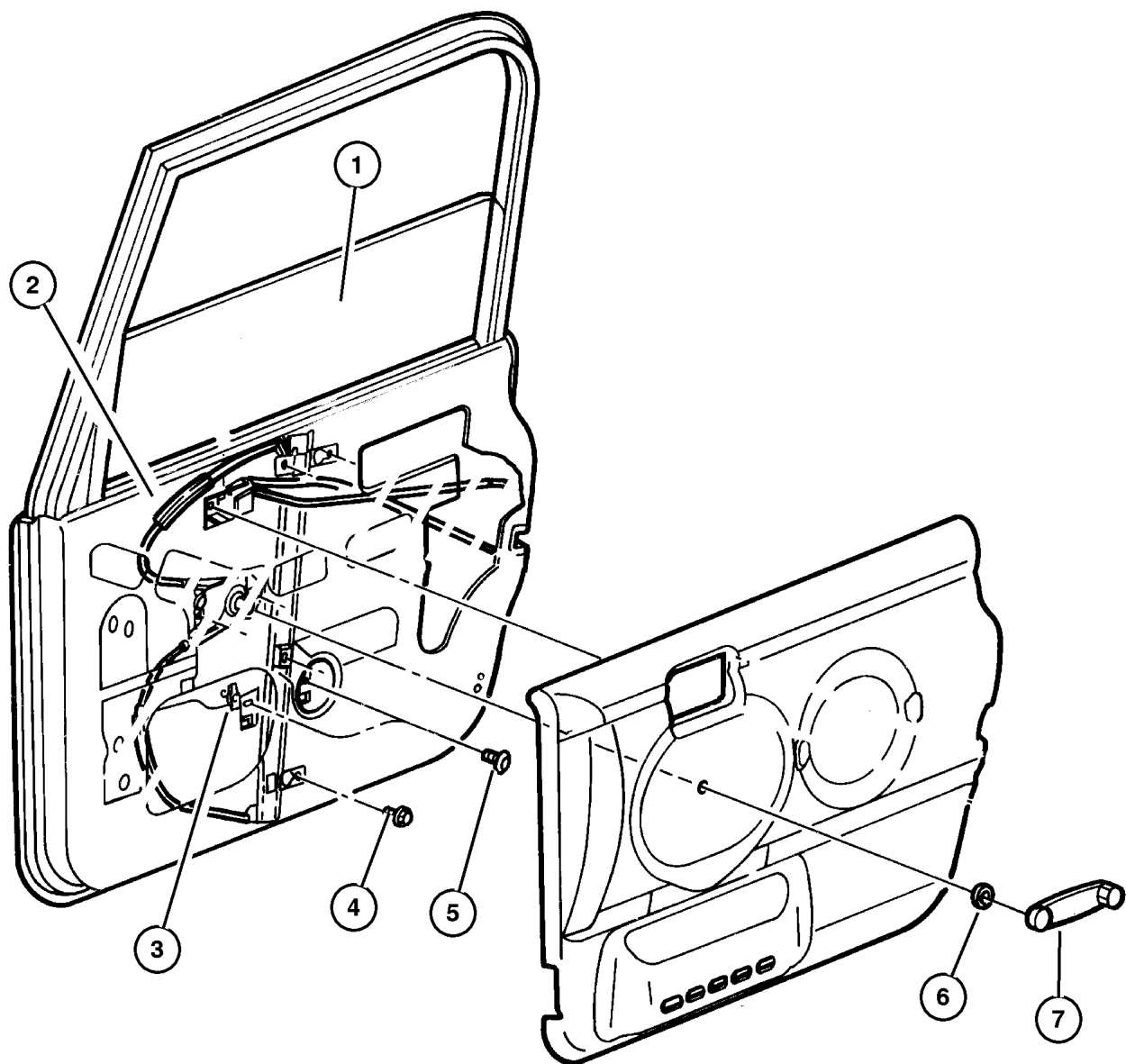
|             |                        |              |                       |                              |
|-------------|------------------------|--------------|-----------------------|------------------------------|
| SERIES      | LINE                   | BODY         | ENGINE                | TRANSMISSION                 |
| H = Sport   | J = Wrangler 4WD       | 77 = 93.4 WB | ED1, ED0 = 2.4L DOHC  | DGG, DGD = 32RH 3 Spd. Auto. |
| L = SE      | U = Wrangler 4WD (RHD) |              | ERH = 4.0L Power Tech | DDD = 5 Speed HD Manual      |
| M = X       |                        |              |                       | DG0 = Auto. Trans.           |
| P = Sahara  |                        |              |                       | DBB = Manual Trans.          |
| S = Rubicon |                        |              |                       | DDK = 5 Speed Manual         |

AR = Use as required - = Non illustrated part # = New this model year

August 27, 2004

**Door, Full Front Glass And Regulator  
Figure DTJ-120**

| ITEM | PART NUMBER | QTY | LINE | SERIES | BODY | ENGINE | TRANS | TRIM | DESCRIPTION                                    |
|------|-------------|-----|------|--------|------|--------|-------|------|--|
| 1    |             |     |      |        |      |        |       |      | GLASS, Door                                    |
|      | 5517 5324   | 1   |      |        |      |        |       |      | Right  |
|      | 5517 5325   | 1   |      |        |      |        |       |      | Left   |
| 2    |             |     |      |        |      |        |       |      | REGULATOR, Front Door Window                   |
|      | 55076 024AD | 1   |      |        |      |        |       |      | Right  |
|      | 55076 025AD | 1   |      |        |      |        |       |      | Left   |
| 3    | 5517 6412   | 4   |      |        |      |        |       |      | GROMMET, Body                                  |
| 4    |             |     |      |        |      |        |       |      | SCREW, (NOT SERVICED) (Not Serviced)           |
| 5    | 6035 224    | 4   |      |        |      |        |       |      | SCREW, Pan Head Special, .25x10x.625, 06535224 |
| 6    | 5507 6218   | 2   |      |        |      |        |       |      | SPACER, Door Handle                            |
| 7    | FW80 PX9    | 2   |      |        |      |        |       |      | HANDLE, Window Regulator, Glass                |
| -8   |             |     |      |        |      |        |       |      | CHANNEL, Front Door Glass                      |
|      | 5517 5404   | 1   |      |        |      |        |       |      | Right  |
|      | 5517 5405   | 1   |      |        |      |        |       |      | Left   |



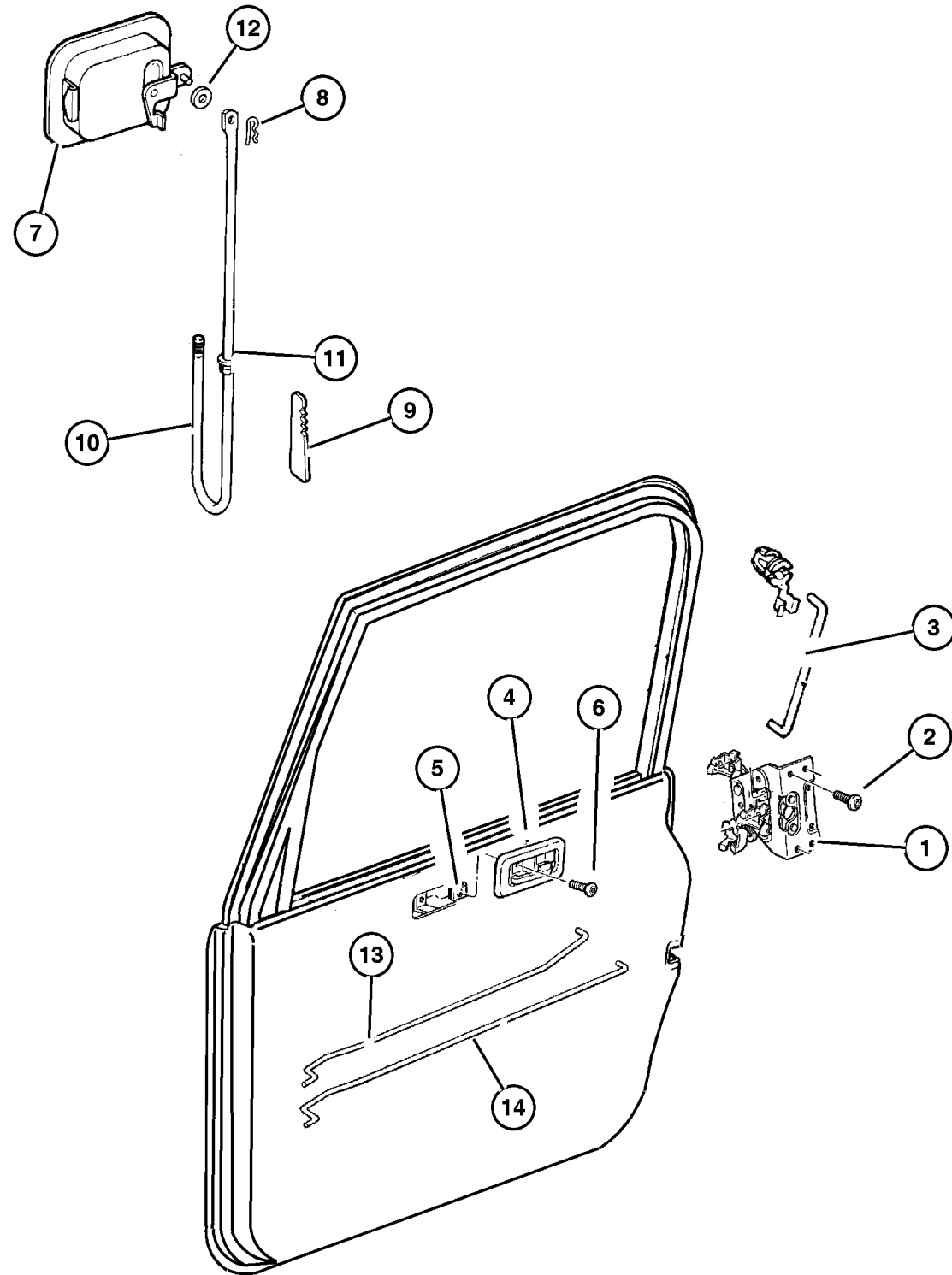
**JEEP WRANGLER (TJ)**

|             |                        |              |                       |                              |
|-------------|------------------------|--------------|-----------------------|------------------------------|
| SERIES      | LINE                   | BODY         | ENGINE                | TRANSMISSION                 |
| H = Sport   | J = Wrangler 4WD       | 77 = 93.4 WB | ED1, ED0 = 2.4L DOHC  | DGG, DGD = 32RH 3 Spd. Auto. |
| L = SE      | U = Wrangler 4WD (RHD) |              | ERH = 4.0L Power Tech | DDD = 5 Speed HD Manual      |
| M = X       |                        |              |                       | DG0 = Auto. Trans.           |
| P = Sahara  |                        |              |                       | DBB = Manual Trans.          |
| S = Rubicon |                        |              |                       | DDK = 5 Speed Manual         |

AR = Use as required - = Non illustrated part # = New this model year

August 27, 2004

## Door, Full Front Lock And Controls Figure DTJ-130



| ITEM | PART NUMBER | QTY | LINE | SERIES | BODY | ENGINE | TRANS | TRIM | DESCRIPTION                                |
|------|-------------|-----|------|--------|------|--------|-------|------|--|
| 1    |             |     |      |        |      |        |       |      | LATCH, Front Door                          |
|      | 55075 990AH | 1   |      |        |      |        |       |      | Right                                      |
|      | 55075 991AH | 1   |      |        |      |        |       |      | Left                                       |
| 2    | 6033 876    | 6   |      |        |      |        |       |      | SCREW, Tapping, M6.3x1.8x38.1              |
| 3    | 5507 5989   | 2   |      |        |      |        |       |      | LINK, Latch Locking                        |
| 4    |             |     |      |        |      |        |       |      | HANDLE, Inside Release                     |
|      | 55176 476AC | 1   |      |        |      |        |       |      | Right                                      |
|      | 55176 477AC | 1   |      |        |      |        |       |      | Left                                       |
| 5    | 6503 998    | 2   |      |        |      |        |       |      | NUT, U Multi Thread, M5 x .80,<br>06503998 |
| 6    | 6505 026AA  | 2   |      |        |      |        |       |      | SCREW, M5x16, 06505026aa                   |
| 7    |             |     |      |        |      |        |       |      | HANDLE, Exterior Door                      |
|      | 55176 382AE | 1   |      |        |      |        |       |      | Right                                      |
|      | 55176 383AE | 1   |      |        |      |        |       |      | Left                                       |
| 8    | J400 5122   | 2   |      |        |      |        |       |      | PIN, Hitch                                 |
| 9    | 5507 6221   | 4   |      |        |      |        |       |      | KEEPER, Outside Handle, 55076221           |
| 10   |             |     |      |        |      |        |       |      | LINK, Latch Release                        |
|      | 5507 5992   | 1   |      |        |      |        |       |      | Exterior Handle to Latch, Right            |
|      | 5507 5993   | 1   |      |        |      |        |       |      | Exterior Handle to Latch, Left             |
| 11   | 5517 6399   | 2   |      |        |      |        |       |      | BUSHING, Door Handle                       |
| 12   |             |     |      |        |      |        |       |      | WASHER, (NOT SERVICED) (Not<br>Serviced)   |
| 13   |             |     |      |        |      |        |       |      | LINK, Door Latch                           |
|      | 55176 628AB | 1   |      |        |      |        |       |      | Right                                      |
|      | 55176 629AB | 1   |      |        |      |        |       |      | Left                                       |
| 14   |             |     |      |        |      |        |       |      | LINK, Door Latch                           |
|      | 55176 630AB | 1   |      |        |      |        |       |      | Right                                      |
|      | 55176 631AB | 1   |      |        |      |        |       |      | Left                                       |
| -15  | 55177 131AA | 2   |      |        |      |        |       |      | BRACKET, Door Inside, J Rod Guide          |

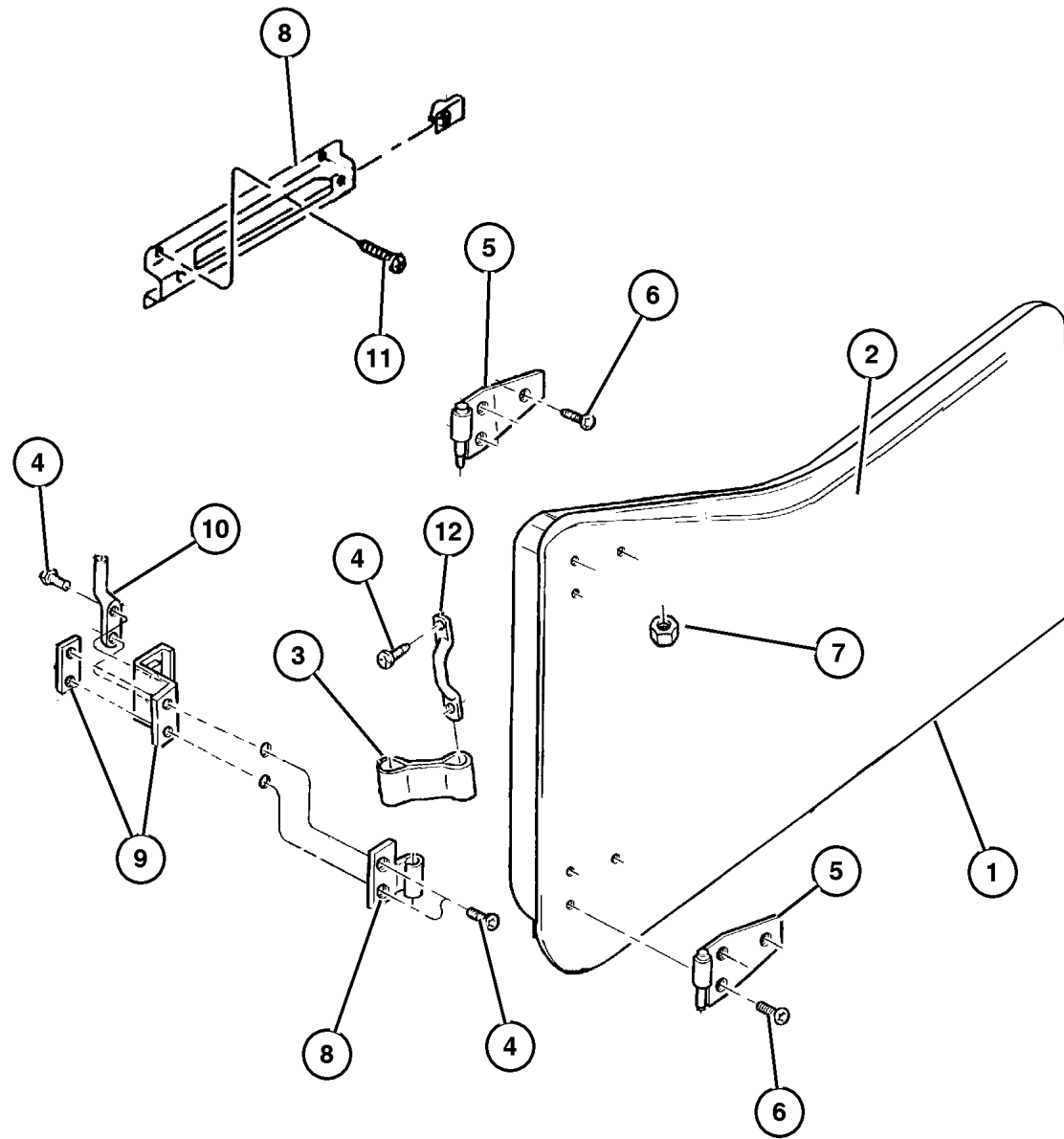
### JEEP WRANGLER (TJ)

| SERIES      | LINE                   | BODY         | ENGINE                | TRANSMISSION                    |
|-------------|------------------------|--------------|-----------------------|---------------------------------|
| H = Sport   | J = Wrangler 4WD       | 77 = 93.4 WB | ED1, ED0 = 2.4L DOHC  | DGG, DGD = 32RH 3 Spd.<br>Auto. |
| L = SE      | U = Wrangler 4WD (RHD) |              | ERH = 4.0L Power Tech | DDD = 5 Speed HD Manual         |
| M = X       |                        |              |                       | DG0 = Auto. Trans.              |
| P = Sahara  |                        |              |                       | DBB = Manual Trans.             |
| S = Rubicon |                        |              |                       | DDK = 5 Speed Manual            |

AR = Use as required - = Non illustrated part # = New this model year

August 27, 2004

**Door, Half Front Shell And Hinges  
Figure DTJ-160**



| ITEM | PART NUMBER | QTY | LINE | SERIES | BODY | ENGINE | TRANS | TRIM | DESCRIPTION                          |
|------|-------------|-----|------|--------|------|--------|-------|------|--------------------------------------|
| 1    |             |     |      |        |      |        |       |      | DOOR, Front                          |
|      | 55174 846AE | 1   |      |        |      |        |       |      | [GCH], Right                         |
|      | 55174 847AE | 1   |      |        |      |        |       |      | [GCH], Left                          |
| 2    |             |     |      |        |      |        |       |      | PANEL, Door Outer                    |
|      | 55175 196AB | 1   |      |        |      |        |       |      | Right                                |
|      | 55175 197AB | 1   |      |        |      |        |       |      | Left                                 |
| 3    | 55176 339AC | 2   |      |        |      |        |       |      | CHECK, Front Door                    |
| 4    | 6035 757    | 8   |      |        |      |        |       |      | SCREW                                |
| 5    |             |     |      |        |      |        |       |      | HINGE, Door Half                     |
|      | 5517 6366   | 1   |      |        | 77   |        |       |      | Lower Right                          |
|      | 5517 6367   | 1   |      |        | 77   |        |       |      | Lower Left                           |
|      | 5517 6368   | 1   |      |        | 77   |        |       |      | Upper Right                          |
|      | 5517 6369   | 1   |      |        | 77   |        |       |      | Upper Left                           |
| 6    | 6504 443    | 12  |      |        |      |        |       |      | SCREW                                |
| 7    | 6504 417    | 4   |      |        |      |        |       |      | NUT, Hex, M8x1.25                    |
| 8    |             |     |      |        |      |        |       |      | HINGE, Body Half                     |
|      | 55075 560AC | 1   |      |        | 77   |        |       |      | Right                                |
|      | 55075 561AC | 1   |      |        | 77   |        |       |      | Left                                 |
| 9    | J545 9281   | 2   |      |        |      |        |       |      | TAPPING PLATE, Door Hinge Body Half  |
| 10   | J545 9286   | 2   |      |        |      |        |       |      | PIN, Restraint Strap                 |
| 11   |             |     |      |        |      |        |       |      | SCREW, (NOT SERVICED) (Not Serviced) |
| 12   | 5501 3666   | 2   |      |        |      |        |       |      | FOOTMAN LOOP, Hold Down              |

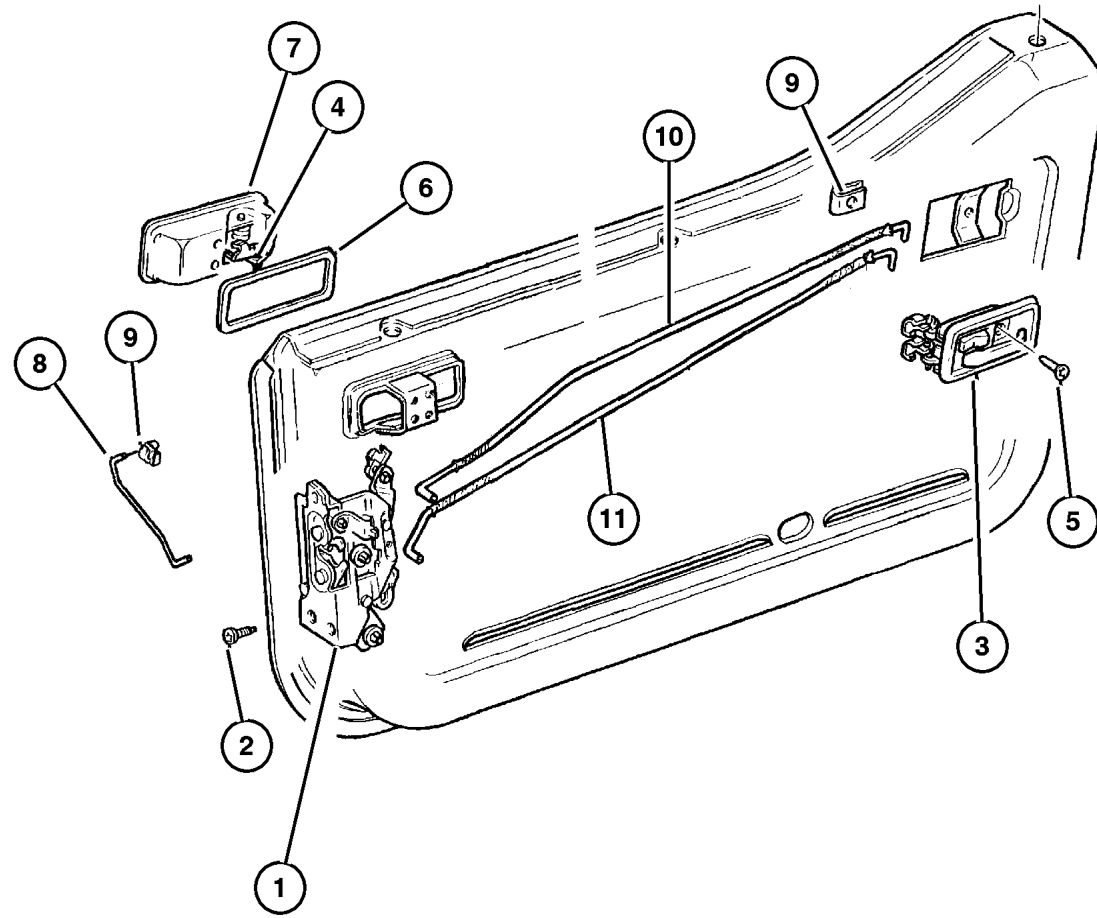
**JEEP WRANGLER (TJ)**

|             |                        |              |                       |                              |
|-------------|------------------------|--------------|-----------------------|------------------------------|
| SERIES      | LINE                   | BODY         | ENGINE                | TRANSMISSION                 |
| H = Sport   | J = Wrangler 4WD       | 77 = 93.4 WB | ED1, ED0 = 2.4L DOHC  | DGG, DGD = 32RH 3 Spd. Auto. |
| L = SE      | U = Wrangler 4WD (RHD) |              | ERH = 4.0L Power Tech | DDD = 5 Speed HD Manual      |
| M = X       |                        |              |                       | DG0 = Auto. Trans.           |
| P = Sahara  |                        |              |                       | DBB = Manual Trans.          |
| S = Rubicon |                        |              |                       | DDK = 5 Speed Manual         |

AR = Use as required - = Non illustrated part # = New this model year

August 27, 2004

**Door, Half Front Lock And Controls**  
**Figure DTJ-170**



| ITEM | PART NUMBER | QTY | LINE | SERIES | BODY | ENGINE | TRANS | TRIM | DESCRIPTION                   |
|------|-------------|-----|------|--------|------|--------|-------|------|-------------------------------|
| 1    |             |     |      |        |      |        |       |      | LATCH, Front Door             |
|      | 55075 982AD | 1   |      |        |      |        |       |      | [GCH], Right                  |
|      | 55075 983AD | 1   |      |        |      |        |       |      | [GCH], Left                   |
| 2    | 6033 876    | 6   |      |        |      |        |       |      | SCREW, Tapping, M6.3x1.8x38.1 |
| 3    |             |     |      |        |      |        |       |      | HANDLE, Inside Release        |
|      | 55176 476AC | 1   |      |        |      |        |       |      | Right                         |
|      | 55176 477AC | 1   |      |        |      |        |       |      | Left                          |
| 4    |             |     |      |        |      |        |       |      | LINK, Latch Locking           |
|      | 55395 192AA | 1   |      |        |      |        |       |      | Right                         |
|      | 55395 193AA | 1   |      |        |      |        |       |      | Left                          |
| 5    | 6505 026AA  | 2   |      |        |      |        |       |      | SCREW, M5x16                  |
| 6    | J374 3608   | 2   |      |        |      |        |       |      | SEAL, Handle, Exterior Handle |
| 7    |             |     |      |        |      |        |       |      | HANDLE, Exterior Door         |
|      | 55176 548AB | 1   |      |        |      |        |       |      | Right                         |
|      | 55176 549AB | 1   |      |        |      |        |       |      | Left                          |
| 8    |             |     |      |        |      |        |       |      | LINK, Latch Release           |
|      | 55075 976AB | 1   |      |        |      |        |       |      | Right                         |
|      | 55075 977AB | 1   |      |        |      |        |       |      | Left                          |
| 9    | 6503 998    | 2   |      |        |      |        |       |      | NUT, U Multi Thread, M5 x .80 |
| 10   |             |     |      |        |      |        |       |      | LINK, Door Latch              |
|      | 5517 6626   | 1   |      |        |      |        |       |      | Right                         |
|      | 5517 6627   | 1   |      |        |      |        |       |      | Left                          |
| 11   |             |     |      |        |      |        |       |      | LINK, Door Latch              |
|      | 55176 624AB | 1   |      |        |      |        |       |      | Right                         |
|      | 55176 625AB | 1   |      |        |      |        |       |      | Left                          |

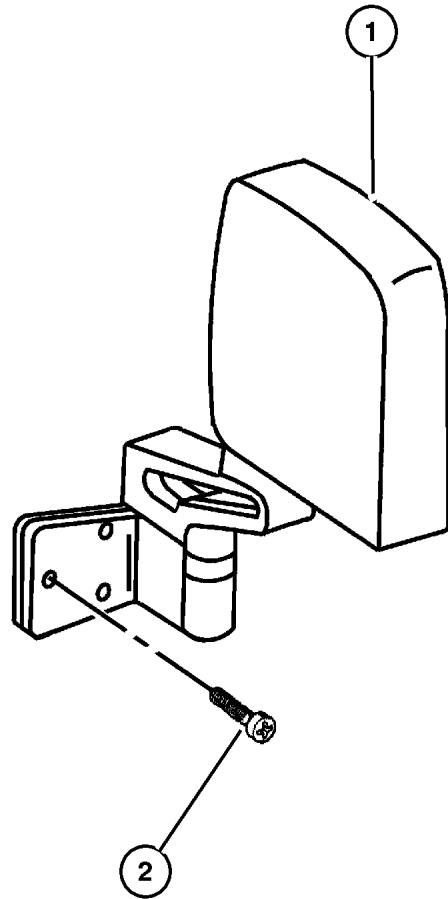
**JEEP WRANGLER (TJ)**

|             |                        |              |                       |                              |
|-------------|------------------------|--------------|-----------------------|------------------------------|
| SERIES      | LINE                   | BODY         | ENGINE                | TRANSMISSION                 |
| H = Sport   | J = Wrangler 4WD       | 77 = 93.4 WB | ED1, ED0 = 2.4L DOHC  | DGG, DGD = 32RH 3 Spd. Auto. |
| L = SE      | U = Wrangler 4WD (RHD) |              | ERH = 4.0L Power Tech | DDD = 5 Speed HD Manual      |
| M = X       |                        |              |                       | DG0 = Auto. Trans.           |
| P = Sahara  |                        |              |                       | DBB = Manual Trans.          |
| S = Rubicon |                        |              |                       | DDK = 5 Speed Manual         |

AR = Use as required - = Non illustrated part # = New this model year

August 27, 2004

Mirror, Exterior  
Figure DTJ-510



| ITEM                                       | PART NUMBER | QTY | LINE | SERIES | BODY | ENGINE | TRANS | TRIM | DESCRIPTION                             |
|--|-------------|-----|------|--------|------|--------|-------|------|---|
| Note: Sales Code GSE = Mirror Right        |             |     |      |        |      |        |       |      |   |
| Note: Sales Code GRE = Mirror Left         |             |     |      |        |      |        |       |      |   |
| Note: Sales Code GSV = Mirror Right Manual |             |     |      |        |      |        |       |      |   |
| Note: Sales Code GRV = Mirror Left Manual  |             |     |      |        |      |        |       |      |   |
| 1  |             |     |      |        |      |        |       |      | MIRROR, Outside Rearview                |
|  | 55395 060AC | 1   |      |        |      |        |       |      | [GTV], Right                            |
|  | 55395 061AC | 1   | J    |        |      |        |       |      | [GTV], Left                             |
| 2  | 6036 593AA  | 6   |      |        |      |        |       |      | SCREW, Tapping Flange Head, .25-20x.875 |
| -3   |             |     |      |        |      |        |       |      | GLASS, Mirror Replacement               |
|  | 5083 792AA  | 1   |      |        |      |        |       |      | [GTV], Right                            |
|  | 5083 793AA  | 1   | J    |        |      |        |       |      | [GTV], Left                             |
|  | 5083 792AA  | 1   | U    |        | 77   |        |       |      | [GCS,GTC], Right                        |

JEEP WRANGLER (TJ)

|             |                        |              |                       |                              |
|-------------|------------------------|--------------|-----------------------|------------------------------|
| SERIES      | LINE                   | BODY         | ENGINE                | TRANSMISSION                 |
| H = Sport   | J = Wrangler 4WD       | 77 = 93.4 WB | ED1, ED0 = 2.4L DOHC  | DGG, DGD = 32RH 3 Spd. Auto. |
| L = SE      | U = Wrangler 4WD (RHD) |              | ERH = 4.0L Power Tech | DDD = 5 Speed HD Manual      |
| M = X       |                        |              |                       | DG0 = Auto. Trans.           |
| P = Sahara  |                        |              |                       | DBB = Manual Trans.          |
| S = Rubicon |                        |              |                       | DDK = 5 Speed Manual         |

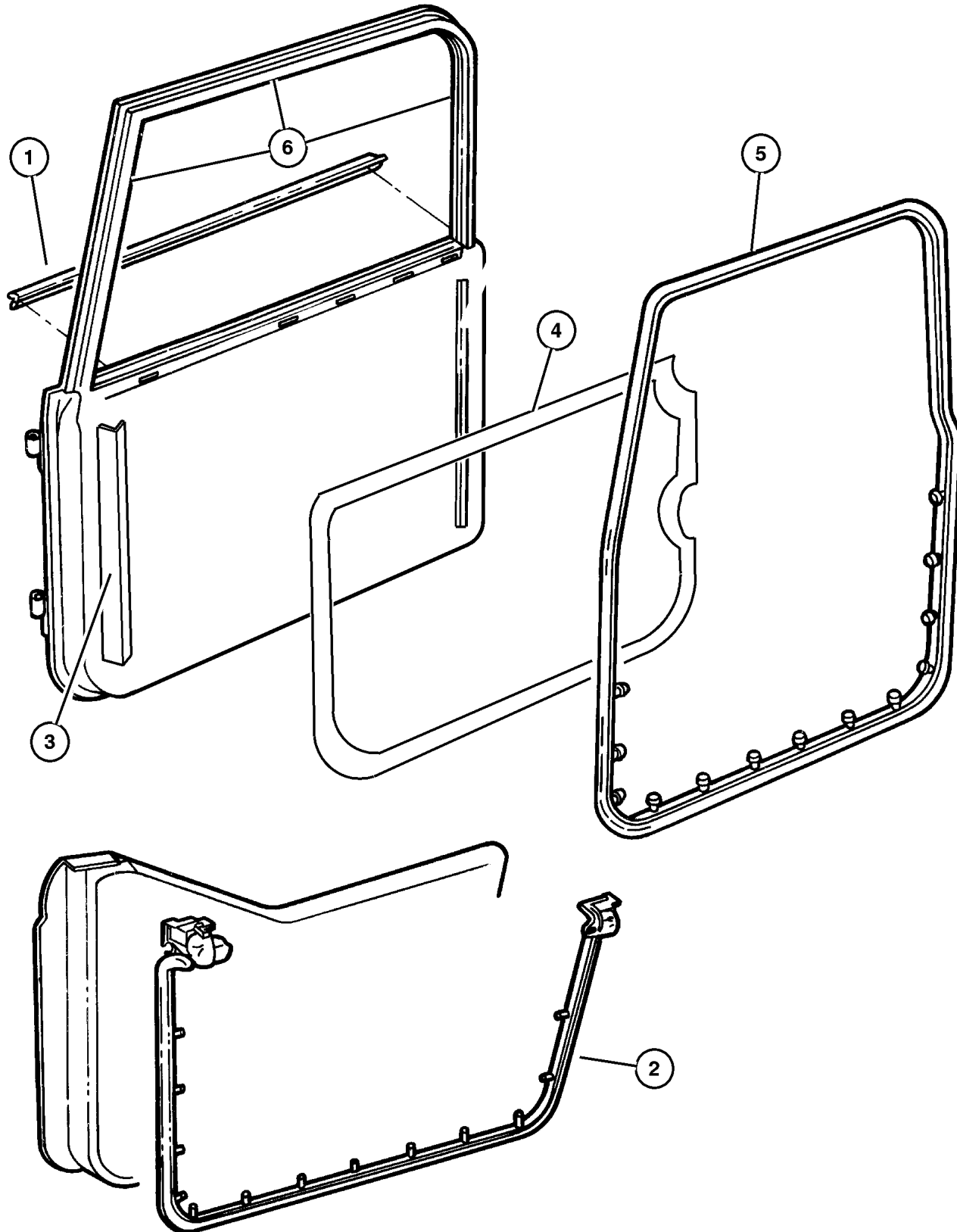
AR = Use as required - = Non illustrated part # = New this model year

August 27, 2004



**Door Weatherstrips And Runs  
Figure DTJ-610**

| ITEM | PART NUMBER | QTY | LINE | SERIES | BODY | ENGINE | TRANS | TRIM | DESCRIPTION                                    |
|------|-------------|-----|------|--------|------|--------|-------|------|--|
| 1    |             |     |      |        |      |        |       |      | WEATHERSTRIP, Door Belt                        |
|      | 55176 564AC | 1   |      |        |      |        |       |      | Right  |
|      | 55176 565AC | 1   |      |        |      |        |       |      | Left   |
| 2    |             |     |      |        |      |        |       |      | TEMPLATE PACKAGE, Weatherseal                  |
|      | 5017 010AB  | 1   |      |        |      |        |       |      | Right  |
|      | 5017 011AB  | 1   |      |        |      |        |       |      | Left   |
| 3    | 55395 176AA | 2   |      |        |      |        |       |      | WEATHERSTRIP, Glass Channel<br>Run, Front      |
| 4    |             |     |      |        |      |        |       |      | WATERSHIELD, Front Door                        |
|      | 55175 786AH | 1   |      |        |      |        |       |      | Right  |
|      | 55175 787AH | 1   |      |        |      |        |       |      | Left   |
| 5    |             |     |      |        |      |        |       |      | TEMPLATE PACKAGE,<br>Weatherseal, 05017462-3AD |
|      | 5017 462AF  | 1   |      |        |      |        |       |      | Right  |
|      | 5017 463AF  | 1   |      |        |      |        |       |      | Left   |
| 6    | 55395 174AA | 2   |      |        |      |        |       |      | WEATHERSTRIP, Glass Channel<br>Run             |



**JEEP WRANGLER (TJ)**

|             |                        |              |                       |                                 |
|-------------|------------------------|--------------|-----------------------|---------------------------------|
| SERIES      | LINE                   | BODY         | ENGINE                | TRANSMISSION                    |
| H = Sport   | J = Wrangler 4WD       | 77 = 93.4 WB | ED1, ED0 = 2.4L DOHC  | DGG, DGD = 32RH 3 Spd.<br>Auto. |
| L = SE      | U = Wrangler 4WD (RHD) |              | ERH = 4.0L Power Tech | DDD = 5 Speed HD Manual         |
| M = X       |                        |              |                       | DG0 = Auto. Trans.              |
| P = Sahara  |                        |              |                       | DBB = Manual Trans.             |
| S = Rubicon |                        |              |                       | DDK = 5 Speed Manual            |

AR = Use as required - = Non illustrated part # = New this model year

August 27, 2004

# Group – ETJ

## Exterior Ornamentation

### GROUP ETJ - Exterior Ornamentation

Illustration Title

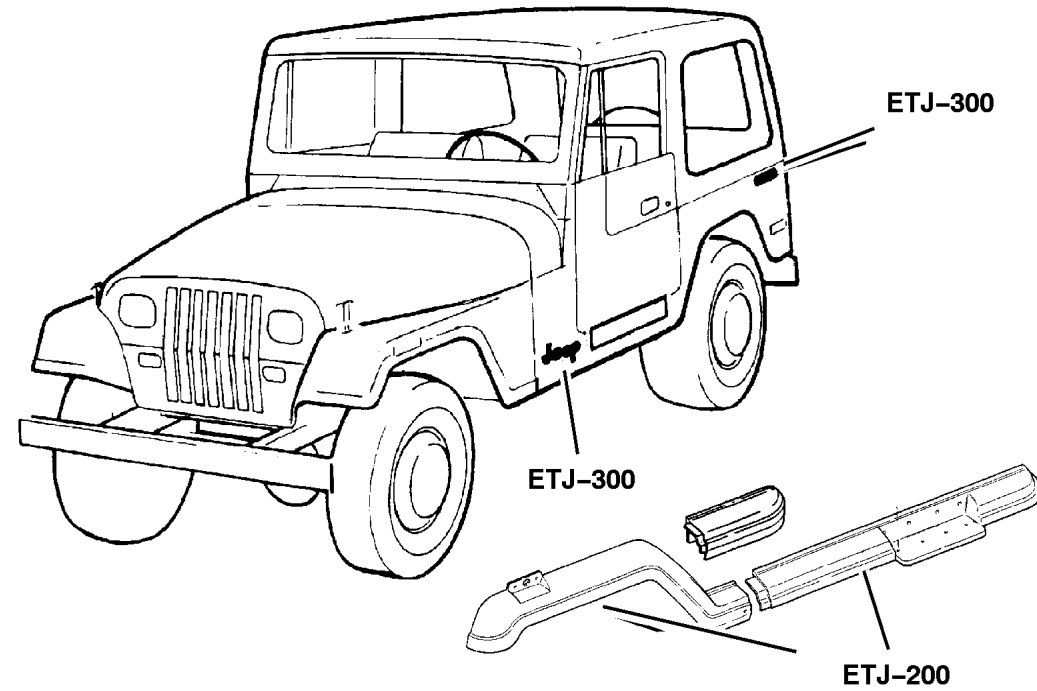
Group-Fig. No.

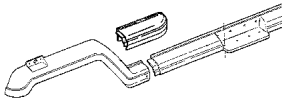
#### Moldings and Ornamentation

Moldings ..... Fig. ETJ-210

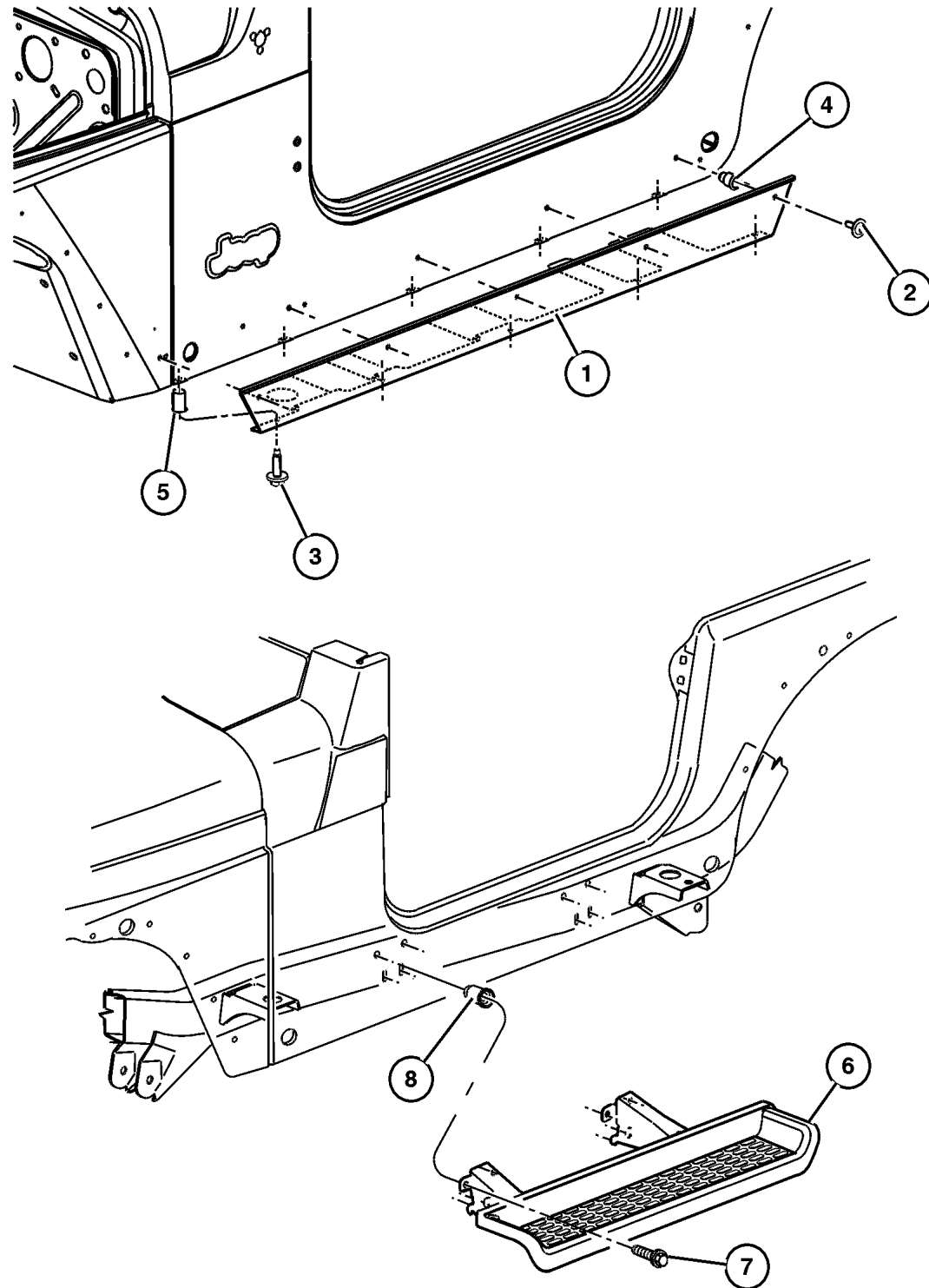
#### Decals and Tapestripes

Decals ..... Fig. ETJ-310



|  |  |  |  |
|--|--|--|--|
| <p><b>ETJ-200</b><br/>Moldings and Ornamentation</p>  | <p><b>ETJ-300</b><br/>Decals and Tapestripes</p> <p><b>JEEP</b></p> <p><b>WRANGLER</b></p> |  |  |
|--|--|--|--|

## Mouldings Figure ETJ-210



| ITEM | PART NUMBER | QTY | LINE | SERIES | BODY   | ENGINE | TRANS | TRIM | DESCRIPTION                               |
|------|-------------|-----|------|--------|--------|--------|-------|------|---|
| 1    |             |     |      |        |        |        |       |      | SILL, Body Side                           |
|      | 5GG78 AJ7AF | 1   |      |        |        |        |       |      | [MEK], Right                              |
|      | 5GG79 AJ7AF | 1   |      |        |        |        |       |      | [MEK], Left                               |
|      | 5GG78 JX8AF | 1   | J    |        | 61, 77 |        |       |      | [MEF], Right                              |
|      | 5GG79 JX8AF | 1   | J    |        | 61, 77 |        |       |      | [MEF], Left                               |
|      | 5KJ86 JX8AA | 1   | J    |        | 78     |        |       |      | [MEF], Right                              |
|      | 5KJ87 JX8AA | 1   | J    |        | 78     |        |       |      | [MEF], Left                               |
| 2    | 6504 352    | 10  | J    |        |        |        |       |      | SCREW                                     |
| 3    | 6506 348AA  | 10  | J    |        |        |        |       |      | SCREW AND WASHER, Hex Head,<br>M6x1x25    |
| 4    | 6505 175AA  | 10  | J    |        |        |        |       |      | NUT, Rivet                                |
| 5    | 6503 245    | 10  | J    |        |        |        |       |      | RIVET                                     |
| 6    |             |     |      |        |        |        |       |      | STEP PAD, Side Step                       |
|      | 55156 200AB | 1   |      |        |        |        |       |      | [MRJ], Right                              |
|      | 55156 201AB | 1   |      |        |        |        |       |      | [MRJ], Left                               |
| 7    | 6501 648    | 8   |      |        |        |        |       |      | SCREW, Hex Flange Head, M8x1.<br>25x25.00 |
| 8    | 6504 397    | 8   |      |        |        |        |       |      | NUT, M8-1.25                              |

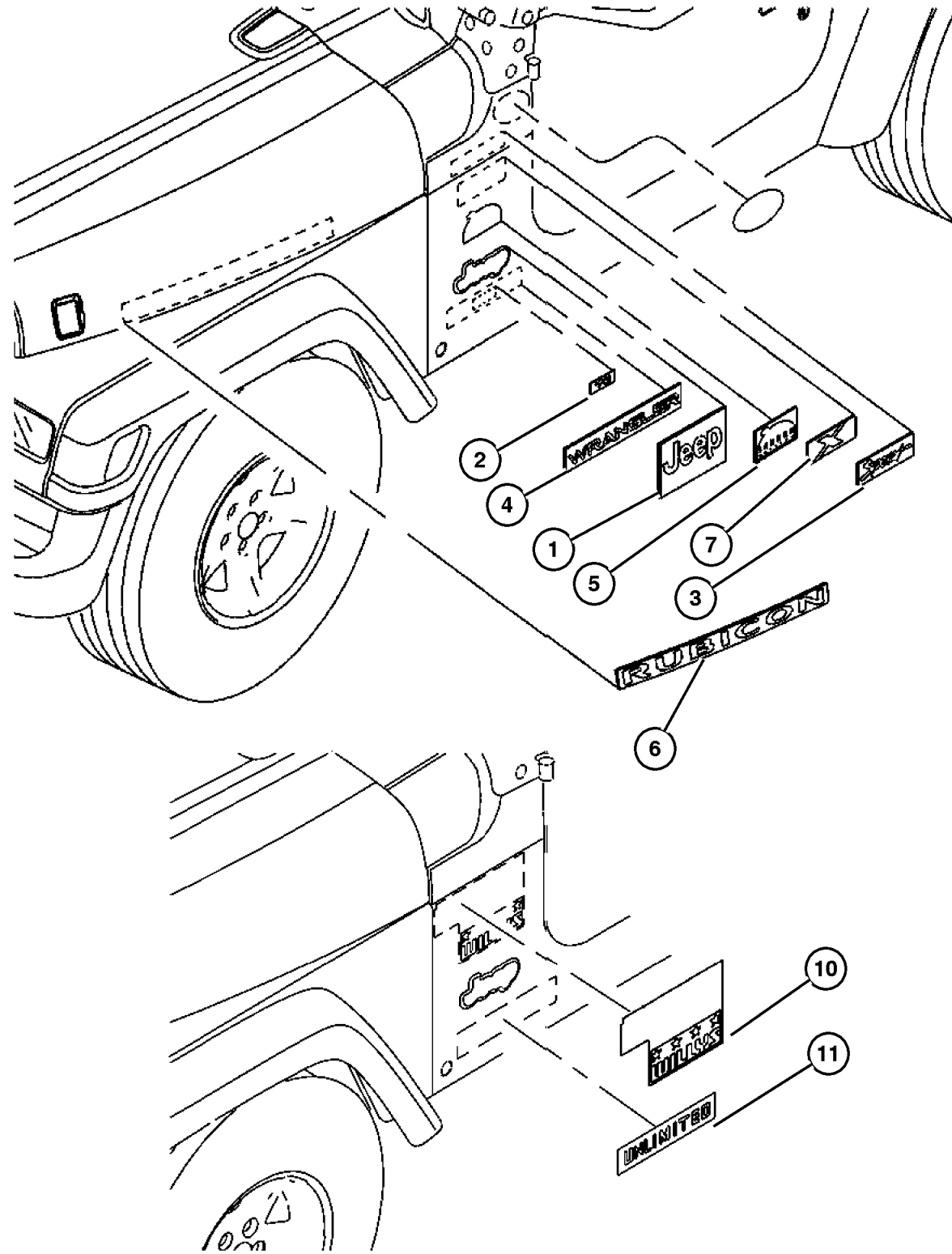
**JEEP WRANGLER (TJ)**

|             |                        |              |                       |                                 |
|-------------|------------------------|--------------|-----------------------|---------------------------------|
| SERIES      | LINE                   | BODY         | ENGINE                | TRANSMISSION                    |
| H = Sport   | J = Wrangler 4WD       | 77 = 93.4 WB | ED1, ED0 = 2.4L DOHC  | DGG, DGD = 32RH 3 Spd.<br>Auto. |
| L = SE      | U = Wrangler 4WD (RHD) |              | ERH = 4.0L Power Tech | DDD = 5 Speed HD Manual         |
| M = X       |                        |              |                       | DG0 = Auto. Trans.              |
| P = Sahara  |                        |              |                       | DBB = Manual Trans.             |
| S = Rubicon |                        |              |                       | DDK = 5 Speed Manual            |

AR = Use as required - = Non illustrated part # = New this model year

August 27, 2004

Decals  
Figure ETJ-310



| ITEM                     | PART NUMBER | QTY | LINE | SERIES | BODY   | ENGINE | TRANS | TRIM | DESCRIPTION                                  |
|--------------------------|-------------|-----|------|--------|--------|--------|-------|------|--|
| KT0 = All KT Sales Codes |             |     |      |        |        |        |       |      |  |
| 1                        | 5FC84 BWNAB | 2   |      |        |        |        |       |      | DECAL, Bodyside, JEEP<br>[KWV]               |
|                          | 5FC84 HA2AB | 2   |      |        |        |        |       |      | [KWP]  |
|                          | 5FC84 HA9AB | 2   |      |        |        |        |       |      | [KWR]  |
| 2                        | 5JB65 HA2AA | 2   | J    |        |        |        |       |      | DECAL, TJ<br>[KVP]                           |
|                          | 5JB65 HA9AA | 2   | J    |        |        |        |       |      | [KVR]  |
| 3                        | 5HW37 HA2AA | 2   |      |        |        |        |       |      | DECAL, SPORT<br>[KFP]                        |
|                          | 5HW37 HA9AA | 2   |      |        |        |        |       |      | [KFR]  |
| 4                        | 5FC8 3TA2   | 2   |      |        | 77     |        |       |      | DECAL, Bodyside, Wrangler<br>[KXP]           |
|                          | 5FC8 3TA9   | 2   |      |        | 77     |        |       |      | [KXR]  |
| 5                        | 5JC83 HA2AA | 2   |      |        |        |        |       |      | DECAL, SAHARA, [KBP]                         |
| 6                        | 5JC82 HA2AA | 2   |      |        | 77     |        |       |      | DECAL, RUBICON<br>[KCP]                      |
|                          | 5JC82 HA9AA | 2   |      |        | 77     |        |       |      | [KCR]  |
| 7                        | 5JF14 HA2AB | 2   |      |        | 77     |        |       |      | DECAL, X<br>[KDP]                            |
|                          | 5JF14 HA9AB | 2   |      |        | 77     |        |       |      | [KDR]  |
| -8                       | 5515 5566   | 2   |      |        |        |        |       |      | PROTECTOR, Door Opening, Lower<br>Door       |
| -9                       | 55157 317AA | 1   |      |        | 77, 78 |        |       |      | MEDALLION, Trail Rated (Left<br>Fender Only) |
| 10                       | 55157 105AA | 2   |      |        |        |        |       |      | DECAL, Willys                                |
| 11                       | 5JV67 HA2AA | 2   | J    |        | 78     |        |       |      | DECAL, Unlimited<br>[KEP]                    |
|                          | 5JV67 HA9AA | 2   | J    |        | 78     |        |       |      | [KER]  |

JEEP WRANGLER (TJ)

|             |                        |              |                       |                                 |
|-------------|------------------------|--------------|-----------------------|---------------------------------|
| SERIES      | LINE                   | BODY         | ENGINE                | TRANSMISSION                    |
| H = Sport   | J = Wrangler 4WD       | 77 = 93.4 WB | ED1, ED0 = 2.4L DOHC  | DGG, DGD = 32RH 3 Spd.<br>Auto. |
| L = SE      | U = Wrangler 4WD (RHD) |              | ERH = 4.0L Power Tech | DDD = 5 Speed HD Manual         |
| M = X       |                        |              |                       | DG0 = Auto. Trans.              |
| P = Sahara  |                        |              |                       | DBB = Manual Trans.             |
| S = Rubicon |                        |              |                       | DDK = 5 Speed Manual            |

AR = Use as required - = Non illustrated part # = New this model year

August 27, 2004

# Group – ITJ

## Interior Trim

### GROUP ITJ - Interior Trim

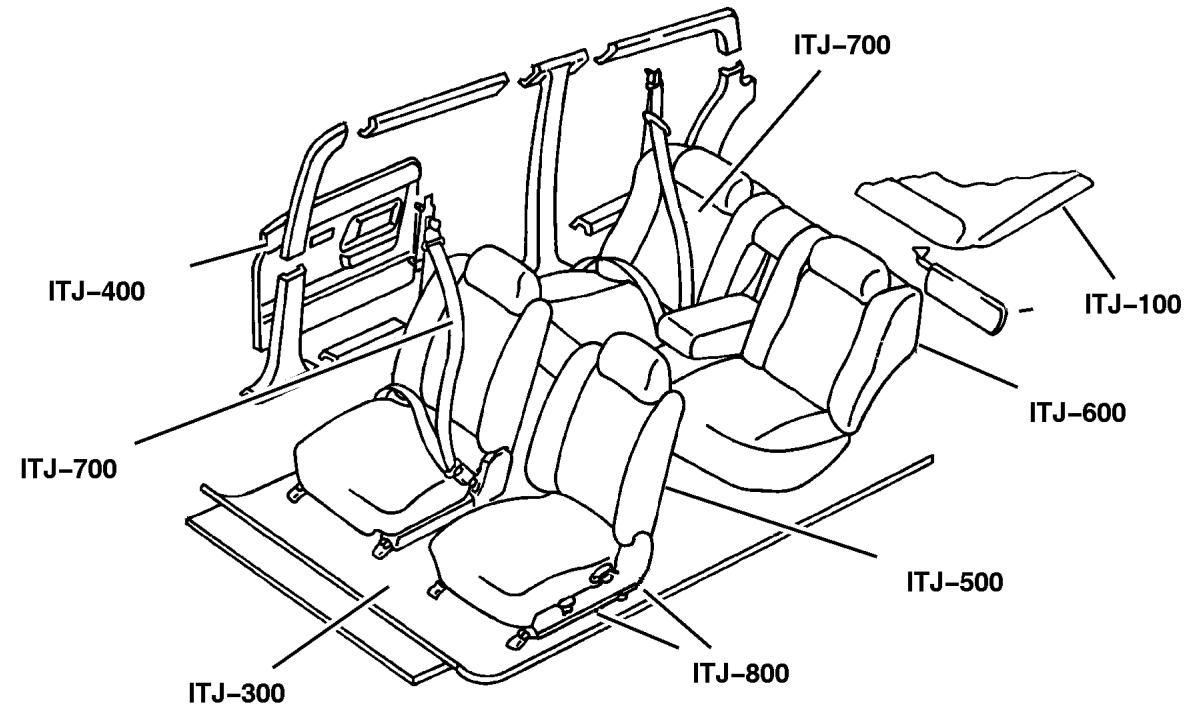


Illustration Title

Group-Fig. No.

#### Headliner and Visor

Sunvisors ..... Fig. ITJ-110

#### Moldings, Scuff Plates

Panels, Interior Trim, Front ..... Fig. ITJ-210

#### Carpet

Carpets And Interior Trim Panels ..... Fig. ITJ-310

#### Door Trim Panels- Front and Rear

Door Trim Panels Half Doors & Full Doors ..... Fig. ITJ-410

#### Front Seats and Attaching Parts

Front Vinyl, Trim Code [H6] ..... Fig. ITJ-510

Front, Cloth, Trim Code [P5] ..... Fig. ITJ-520

Front, Cloth, Trim Code [S5] ..... Fig. ITJ-530

Front, Cloth, Trim Code [Q5] ..... Fig. ITJ-540

#### Rear Seats and Attaching Parts

Rear, Vinyl, Trim Code [H6] ..... Fig. ITJ-610

Rear, Cloth, Trim Code [P5] ..... Fig. ITJ-620

Rear, Cloth, Trim Code [S5] ..... Fig. ITJ-630

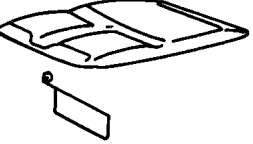
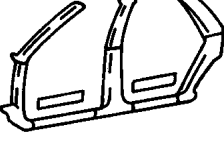
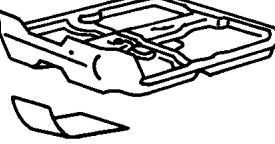
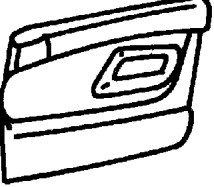

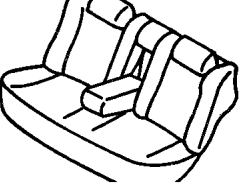
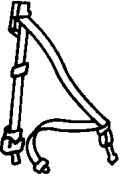
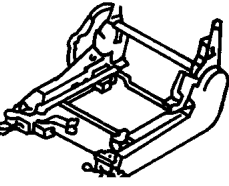
Rear, Cloth, Trim Code [Q5] ..... Fig. ITJ-640

#### Seat Belts-Front and Rear

Seat Belts ..... Fig. ITJ-710

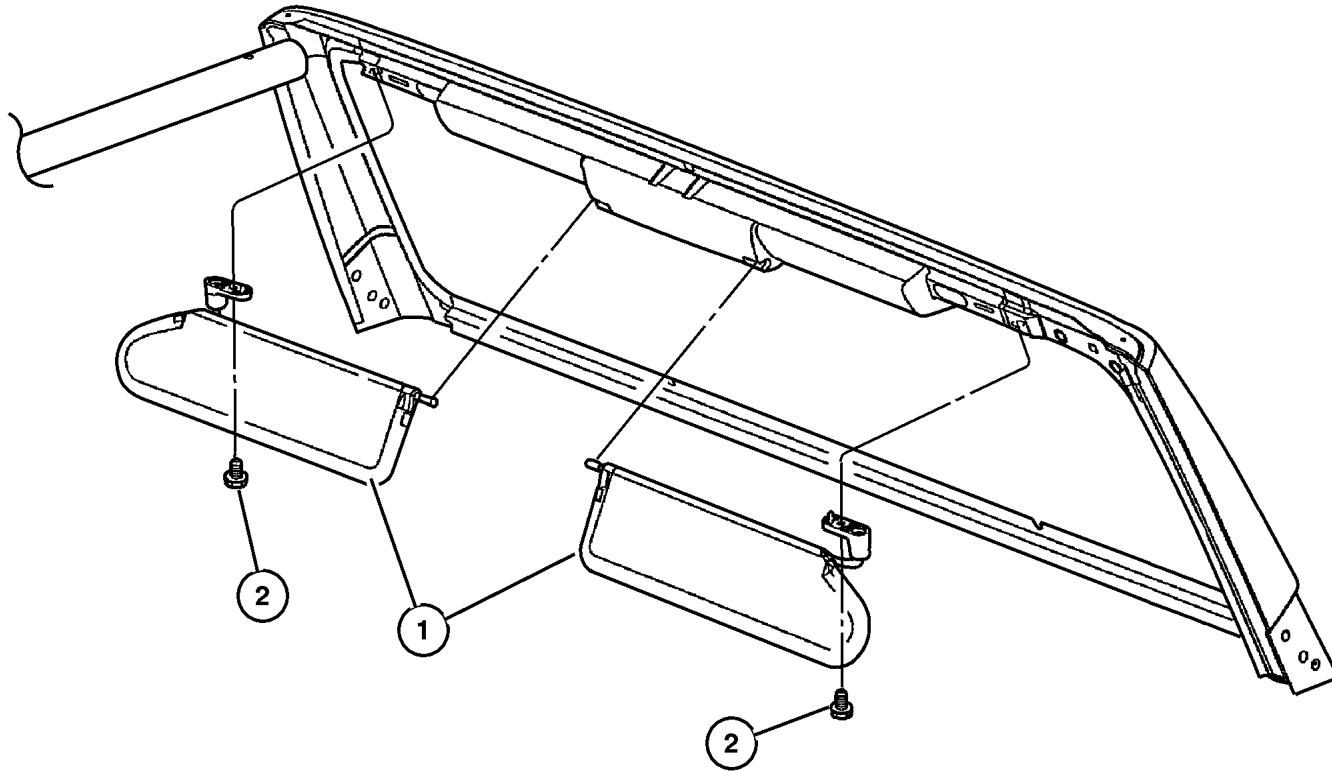
#### Adjusters, Covers, Shields, and Risers

Seat Assemblies, Adjusters, Recliners ..... Fig. ITJ-810

|   |  |   |  |
|---|--|---|--|
| <p><b>ITJ-100</b><br/>Headliner and Visor</p>              | <p><b>ITJ-200</b><br/>Moldings, Scuff Plates</p>          | <p><b>ITJ-300</b><br/>Carpet</p>                    | <p><b>ITJ-400</b><br/>Door Trim Panels- Front and Rear</p>        |
| <p><b>ITJ-500</b><br/>Front Seats and Attaching Parts</p>  | <p><b>ITJ-600</b><br/>Rear Seats and Attaching Parts</p>  | <p><b>ITJ-700</b><br/>Seat Belts-Front and Rear</p>  | <p><b>ITJ-800</b><br/>Adjusters, Covers, Shields, and Risers</p>  |

## Sunvisors Figure ITJ-110

| ITEM                 | PART NUMBER | QTY | LINE | SERIES | BODY   | ENGINE | TRANS | TRIM | DESCRIPTION  |
|----------------------|-------------|-----|------|--------|--------|--------|-------|------|--|
| Sales Codes:         |             |     |      |        |        |        |       |      |  |
| [CGZ] = Side Airbags |             |     |      |        |        |        |       |      |  |
| 1                    |             |     |      |        |        |        |       |      | VISOR  |
|                      | 5HD80 1X9AC | 1   | J    |        |        |        |       | O0   | Right  |
|                      | 5HD81 1X9AC | 1   | J    |        |        |        |       | O0   | Left   |
|                      | 5JM14 1X9AB | 1   | J    |        |        |        |       | O0   | With Side Airbags [CGZ], Right                       |
|                      | 5JM15 1X9AB | 1   | J    |        | 77, 78 |        |       | O0   | With Side Airbags [CGZ], Left                        |
|                      | 5HK70 1X9AC | 1   | U    |        | 77     |        |       | O0   | Right Hand Drive, Right                              |
|                      | 5HK71 1X9AC | 1   | U    |        | 77     |        |       | O0   | Right Hand Drive, Left                               |
|                      | 5JR28 1X9AA | 1   | U    |        | 77     |        |       | O0   | Postal Vehicle Without Rear Seat, Right              |
|                      | 5JR29 1X9AA | 1   | U    |        | 77     |        |       | O0   | Postal Vehicle Without Rear Seat, Left               |
|                      | 5JR32 1X9AA | 1   | U    |        | 77     |        |       | O0   | Postal Vehicle With Rear Seat, Right                 |
|                      | 5JR33 1X9AA | 1   | U    |        | 77     |        |       | O0   | Postal Vehicle With Rear Seat, Left                  |
| 2                    |             |     |      |        |        |        |       |      | SCREW, [.250-14x0.91], (NOT SERVICED) (Not Serviced) |



### JEEP WRANGLER (TJ)

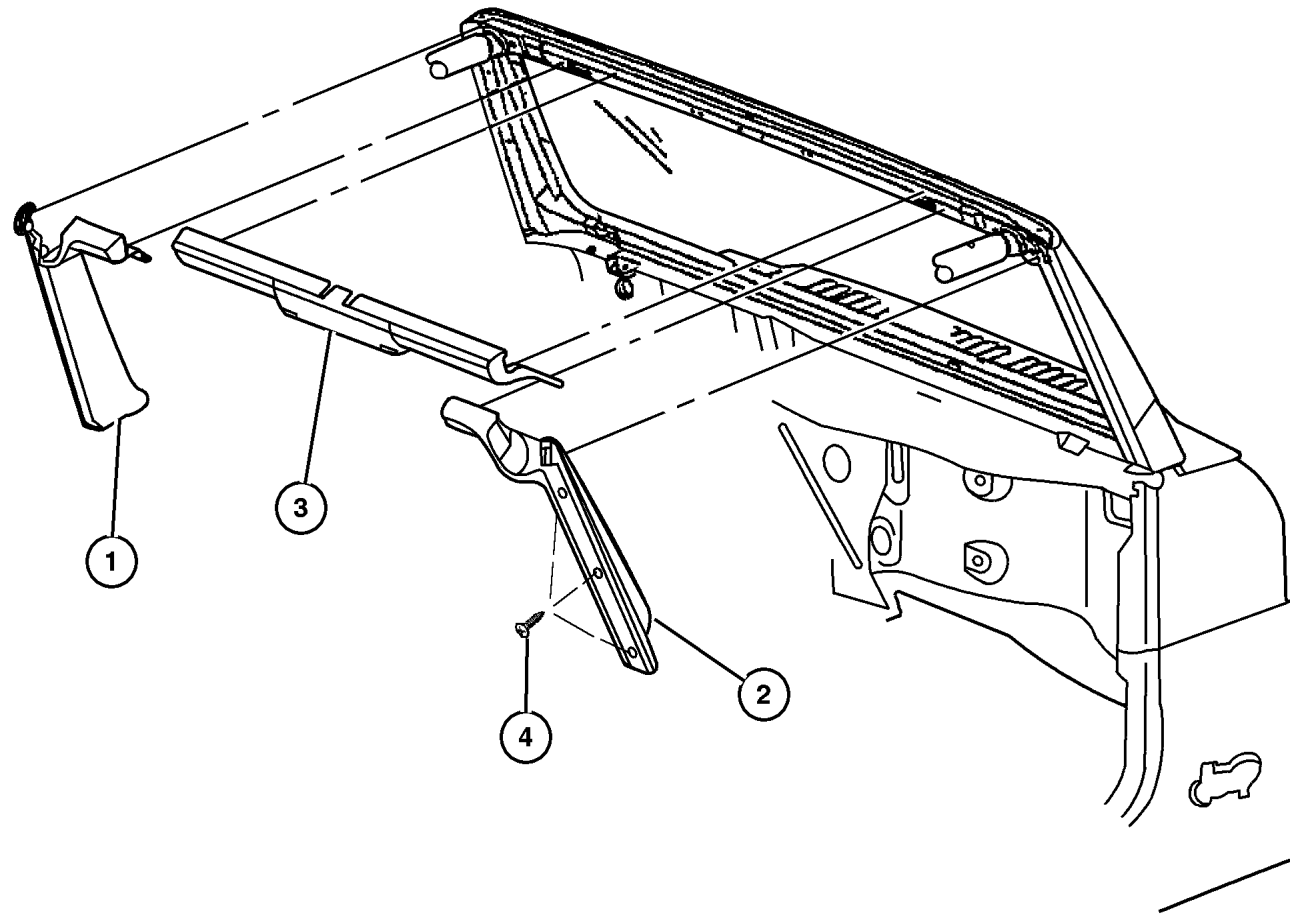
|             |                        |              |                       |                              |
|-------------|------------------------|--------------|-----------------------|------------------------------|
| SERIES      | LINE                   | BODY         | ENGINE                | TRANSMISSION                 |
| H = Sport   | J = Wrangler 4WD       | 77 = 93.4 WB | ED1, ED0 = 2.4L DOHC  | DGG, DGD = 32RH 3 Spd. Auto. |
| L = SE      | U = Wrangler 4WD (RHD) |              | ERH = 4.0L Power Tech | DDD = 5 Speed HD Manual      |
| M = X       |                        |              |                       | DG0 = Auto. Trans.           |
| P = Sahara  |                        |              |                       | DBB = Manual Trans.          |
| S = Rubicon |                        |              |                       | DDK = 5 Speed Manual         |

AR = Use as required - = Non illustrated part # = New this model year

August 27, 2004

**Panels, Interior Trim, Front  
Figure ITJ-210**

| ITEM | PART NUMBER | QTY | LINE | SERIES | BODY | ENGINE | TRANS | TRIM | DESCRIPTION                   |
|------|-------------|-----|------|--------|------|--------|-------|------|-------------------------------|
| 1    | 5HE55 DX9AC | 1   |      |        |      |        |       | O0   | MOLDING, Windshield, Left     |
| 2    | 5HE54 DX9AC | 1   |      |        |      |        |       | O0   | MOLDING, Windshield, Right    |
| 3    | 5HE52 DX9AD | 1   |      |        |      |        |       | O0   | MOLDING, Windshield           |
| 4    | 6035 369    | 6   |      |        |      |        |       |      | SCREW, Piercing, .164-15x1.25 |



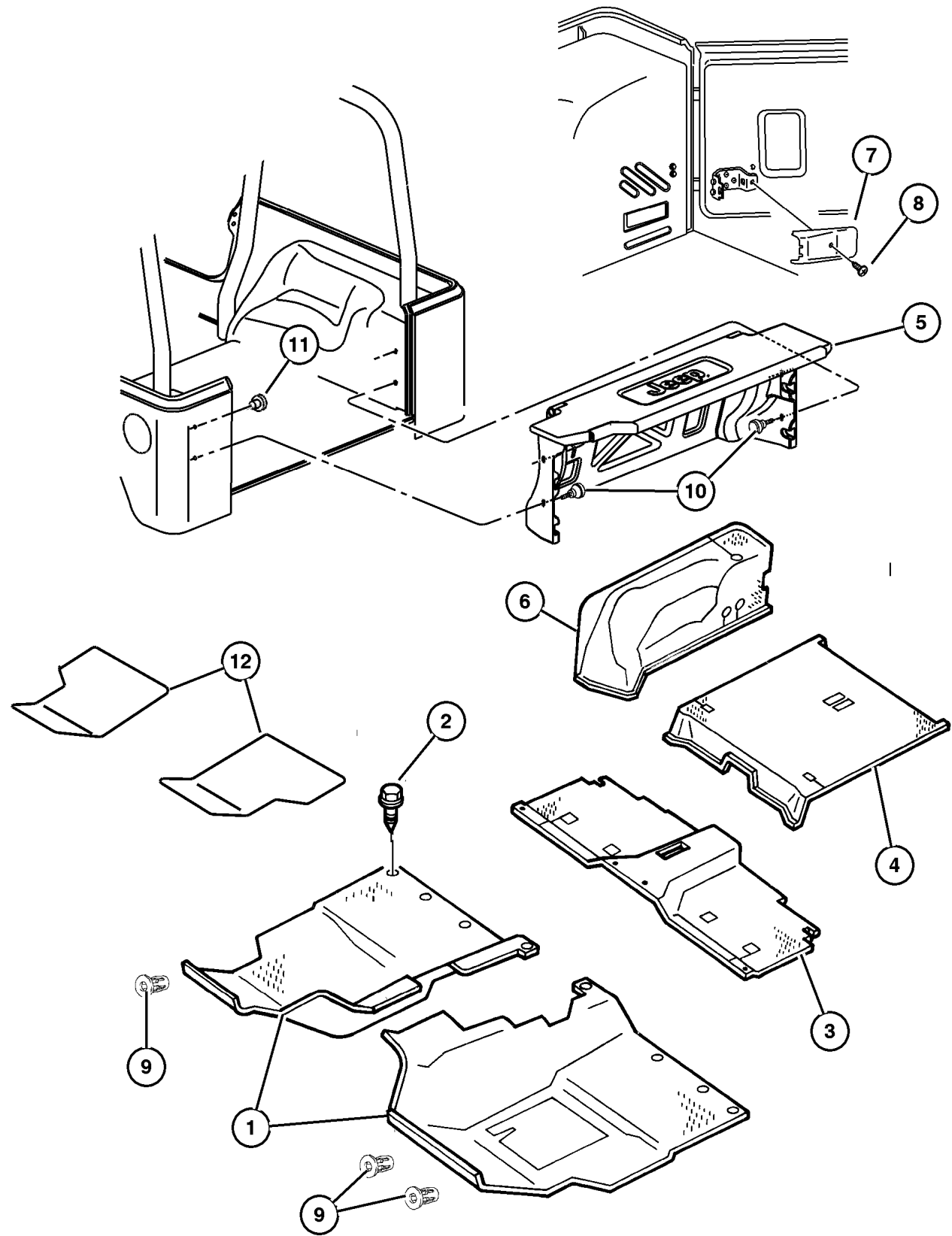
**JEEP WRANGLER (TJ)**

|             |                        |              |                       |                              |
|-------------|------------------------|--------------|-----------------------|------------------------------|
| SERIES      | LINE                   | BODY         | ENGINE                | TRANSMISSION                 |
| H = Sport   | J = Wrangler 4WD       | 77 = 93.4 WB | ED1, ED0 = 2.4L DOHC  | DGG, DGD = 32RH 3 Spd. Auto. |
| L = SE      | U = Wrangler 4WD (RHD) |              | ERH = 4.0L Power Tech | DDD = 5 Speed HD Manual      |
| M = X       |                        |              |                       | DG0 = Auto. Trans.           |
| P = Sahara  |                        |              |                       | DBB = Manual Trans.          |
| S = Rubicon |                        |              |                       | DDK = 5 Speed Manual         |

AR = Use as required - = Non illustrated part # = New this model year

August 27, 2004

**Carpets And Interior Trim Panels**  
**Figure ITJ-310**



| ITEM | PART NUMBER | QTY | LINE | SERIES | BODY | ENGINE | TRANS | TRIM | DESCRIPTION   |
|------|-------------|-----|------|--------|------|--------|-------|------|---|
| 1    |             |     |      |        |      |        |       |      | CARPET, Front Floor   |
|      | 5FV51 XDVAI | 1   |      |        |      |        |       | O0   | [DV], Left  |
|      | 5FV51 ZJ8AI | 1   |      |        |      |        |       | O0   | [J3], Left  |
|      | 5FW50 XDVAK | 1   |      |        |      |        |       | O0   | [DV], Right   |
|      | 5FW50 ZJ8AK | 1   |      |        |      |        |       | O0   | [J3], Right   |
| 2    | J400 7545   | 2   |      |        |      |        |       |      | SCREW AND WASHER, Snap Head, .164-18x.375   |
| 3    |             |     |      |        |      |        |       |      | CARPET, Rear Floor  |
|      | 5FV49 XDVAD | 1   |      |        |      |        |       | O0   | [DV], With Mini Console   |
|      | 5FV49 ZJ8AD | 1   |      |        |      |        |       | O0   | [J3], With Mini Console   |
|      | 5HG24 XDVAD | 1   |      |        |      |        |       | O0   | [DV], With Full Console   |
|      | 5HG24 ZJ8AD | 1   |      |        |      |        |       | O0   | [J3], With Full Console   |
| 4    |             |     |      |        |      |        |       |      | CARPET, Cargo Floor, Up to is with rear most footman loop cutouts, Ater is without. |
|      | 5HY13 XDVAB | 1   |      |        | 77   |        |       | O0   | [DV], Up to 8/4/04  |
|      | 5HY13 XDVAC | 1   |      |        | 77   |        |       | O0   | [DV], After 8/4/04  |
|      | 5HY13 ZJ8AB | 1   |      |        | 77   |        |       | O0   | [J3], Up to 8/4/04  |
|      | 5HY13 ZJ8AC | 1   |      |        | 77   |        |       | O0   | [J3], After 8/4/04  |
|      | 5JR57 XDVAD | 1   | J    |        | 78   |        |       | O0   | [DV], Up to 8/4/04  |
|      | 5JR57 XDVAE | 1   | J    |        | 78   |        |       | O0   | [DV], After 8/4/04  |
|      | 5JR57 ZJ8AD | 1   | J    |        | 78   |        |       | O0   | [J3], Up to 8/4/04  |
|      | 5JR57 ZJ8AE | 1   | J    |        | 78   |        |       | O0   | [J3], After 8/4/04  |
| 5    | 5GY84 1DVAE | 1   |      |        |      |        |       | O0   | PANEL, Add A Trunk, With Latches  |
| 6    |             |     |      |        |      |        |       |      | CARPET, Wheelhouse  |
|      | 5HY52 XDVAC | 1   |      |        | 77   |        |       | O0   | [DV], Right   |
|      | 5HY52 ZJ8AC | 1   |      |        | 77   |        |       | O0   | [J3], Right   |
|      | 5HY53 XDVAD | 1   |      |        | 77   |        |       | O0   | [DV], Left  |
|      | 5HY53 ZJ8AD | 1   |      |        | 77   |        |       | O0   | [J3], Left  |
|      | 5JR58 XDVAD | 1   | J    |        | 78   |        |       | O0   | [DV], Right   |
|      | 5JR58 ZJ8AD | 1   | J    |        | 78   |        |       | O0   | [J3], Left  |
|      | 5JR59 XDVAD | 1   | J    |        | 78   |        |       | O0   | [DV], Left  |
| 7    | 5521 7099   | 1   |      |        |      |        |       |      | COVER, Contact Button   |
| 8    |             |     |      |        |      |        |       |      | SCREW, .164-18x.625, (NOT SERVICED) (Not Serviced)                                  |
| 9    | 6503 274    | 4   | J    |        |      |        |       |      | NUT, Push On  |
| 10   | 55352 813AA | 4   |      |        |      |        |       |      | KNOB  |
| 11   | 0116 392    | 4   |      |        |      |        |       |      | RIVET   |
| 12   |             |     |      |        |      |        |       |      | MAT KIT, Floor - Front, Right Hand Drive  |
|      | 8220 8874   | 1   | J    |        |      |        |       |      | Slate, [DV]   |

**JEEP WRANGLER (TJ)**

|             |                        |              |                       |                              |
|-------------|------------------------|--------------|-----------------------|------------------------------|
| SERIES      | LINE                   | BODY         | ENGINE                | TRANSMISSION                 |
| H = Sport   | J = Wrangler 4WD       | 77 = 93.4 WB | ED1, ED0 = 2.4L DOHC  | DGG, DGD = 32RH 3 Spd. Auto. |
| L = SE      | U = Wrangler 4WD (RHD) |              | ERH = 4.0L Power Tech | DDD = 5 Speed HD Manual      |
| M = X       |                        |              |                       | DG0 = Auto. Trans.           |
| P = Sahara  |                        |              |                       | DBB = Manual Trans.          |
| S = Rubicon |                        |              |                       | DDK = 5 Speed Manual         |

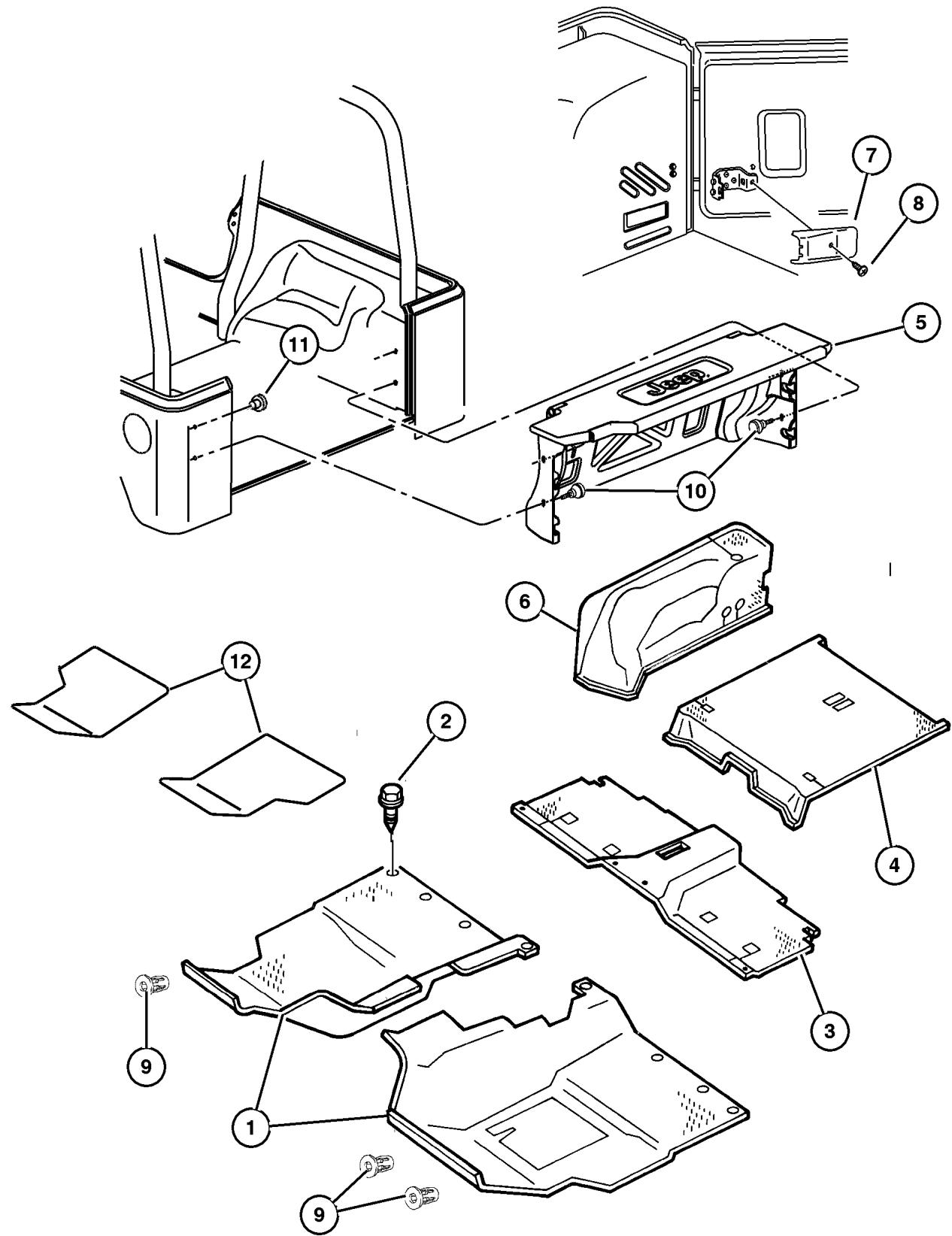
AR = Use as required - = Non illustrated part # = New this model year

August 27, 2004



**Carpets And Interior Trim Panels**  
**Figure ITJ-310**

| ITEM | PART NUMBER | QTY | LINE | SERIES | BODY | ENGINE | TRANS | TRIM | DESCRIPTION |
|------|-------------|-----|------|--------|------|--------|-------|------|-------------|
|      | 8220 8875   | 1   | J    |        |      |        |       |      | Khaki, J3]  |



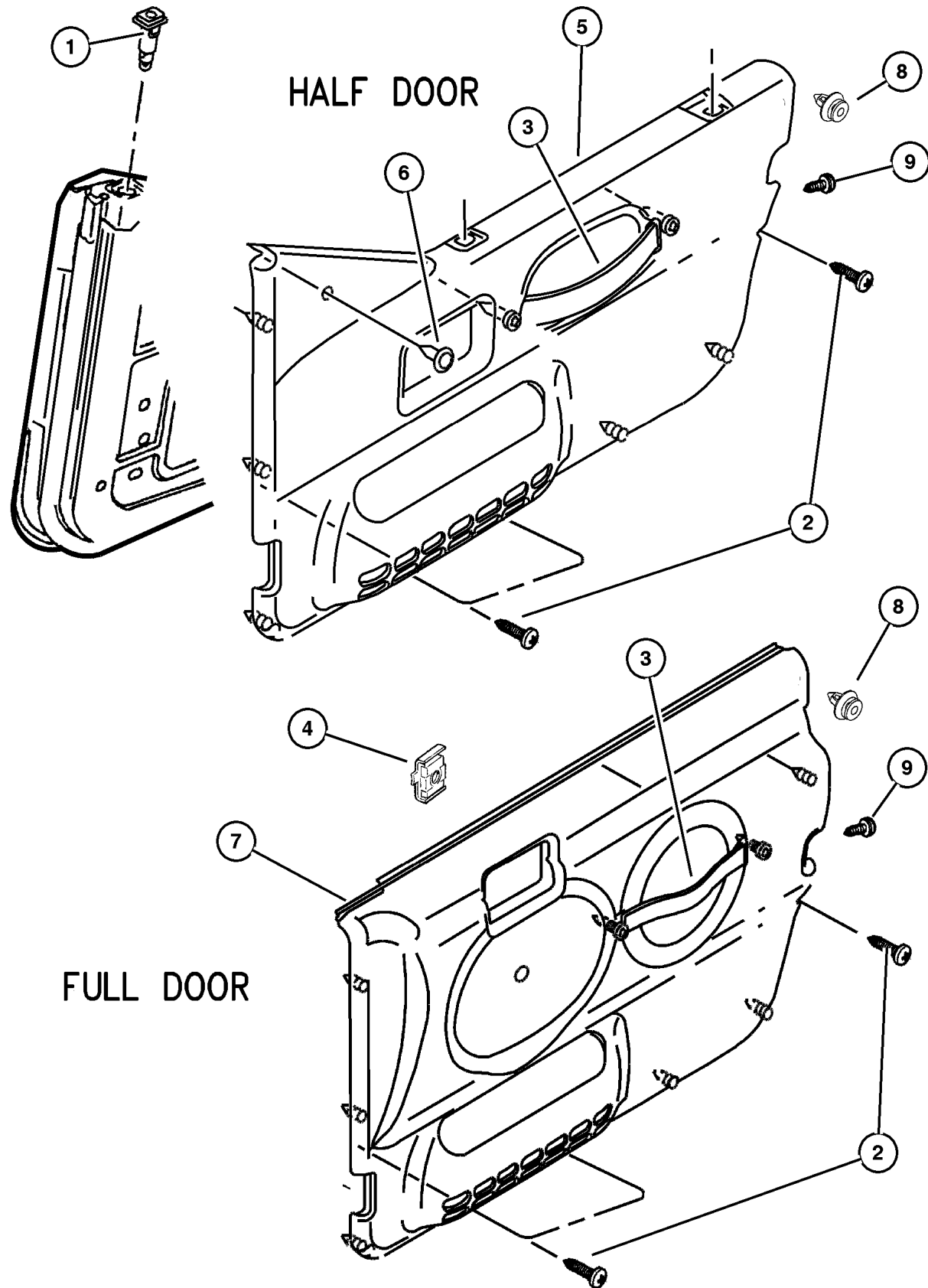
|                           |                        |              |                       |                              |
|---------------------------|------------------------|--------------|-----------------------|------------------------------|
| <b>JEEP WRANGLER (TJ)</b> |                        |              |                       |                              |
| SERIES                    | LINE                   | BODY         | ENGINE                | TRANSMISSION                 |
| H = Sport                 | J = Wrangler 4WD       | 77 = 93.4 WB | ED1, ED0 = 2.4L DOHC  | DGG, DGD = 32RH 3 Spd. Auto. |
| L = SE                    | U = Wrangler 4WD (RHD) |              | ERH = 4.0L Power Tech | DDD = 5 Speed HD Manual      |
| M = X                     |                        |              |                       | DG0 = Auto. Trans.           |
| P = Sahara                |                        |              |                       | DBB = Manual Trans.          |
| S = Rubicon               |                        |              |                       | DDK = 5 Speed Manual         |

AR = Use as required - = Non illustrated part # = New this model year

August 27, 2004

**Door Trim Panels Half Doors & Full Doors  
Figure ITJ-410**

| ITEM | PART NUMBER | QTY | LINE | SERIES | BODY | ENGINE | TRANS | TRIM | DESCRIPTION                        |
|------|-------------|-----|------|--------|------|--------|-------|------|------------------------------------|
| 1    |             |     |      |        |      |        |       |      | GROMMET, Door Window Stabilizer    |
|      | 5EJ6 4XDV   | 6   |      |        |      |        |       | O0   | [DV]                               |
|      | 5EJ6 4ZJ3   | 6   |      |        |      |        |       | O0   | [J3]                               |
| 2    | 6507 297AA  | 6   |      |        |      |        |       |      | SCREW, M4.2x1.41                   |
| 3    | 5ES4 3DX9   | 1   |      |        |      |        |       | O0   | HANDLE, Door Interior              |
| 4    |             |     |      |        |      |        |       |      | NUT, (NOT SERVICED) (Not Serviced) |
| 5    |             |     |      |        |      |        |       |      | PANEL, Door Trim                   |
|      | 5DY64 1DVAD | 1   |      |        |      |        |       | O0   | [DV], Right                        |
|      | 5DY64 1J3AD | 1   |      |        |      |        |       | O0   | [J3], Right                        |
|      | 5DY65 1DVAD | 1   |      |        |      |        |       | O0   | [DV], Left                         |
|      | 5DY65 1J3AD | 1   |      |        |      |        |       | O0   | [J3], Left                         |
| 6    |             |     |      |        |      |        |       |      | PIN, Push                          |
|      | 5FP8 4XDV   | 4   |      |        |      |        |       | O0   | [DV]                               |
|      | 5FP8 4ZJ3   | 4   |      |        |      |        |       | O0   | [J3]                               |
| 7    |             |     |      |        |      |        |       |      | PANEL, Door Trim                   |
|      | 5DY66 1DVAE | 1   |      |        |      |        |       | O0   | [DV], Right                        |
|      | 5DY66 1J3AE | 1   |      |        |      |        |       | O0   | [J3], Right                        |
|      | 5DY67 1DVAE | 1   |      |        |      |        |       | O0   | [DV], Left                         |
|      | 5DY67 1J3AE | 1   |      |        |      |        |       | O0   | [J3], Left                         |
| 8    | 6504 014    | 6   |      |        |      |        |       | O0   | FASTENER, Door Trim Panel          |
| 9    | 6504 617    | 2   |      |        |      |        |       | O0   | SCREW, M4.2-1.41x13                |



**JEEP WRANGLER (TJ)**

|             |                        |              |                       |                              |
|-------------|------------------------|--------------|-----------------------|------------------------------|
| SERIES      | LINE                   | BODY         | ENGINE                | TRANSMISSION                 |
| H = Sport   | J = Wrangler 4WD       | 77 = 93.4 WB | ED1, ED0 = 2.4L DOHC  | DGG, DGD = 32RH 3 Spd. Auto. |
| L = SE      | U = Wrangler 4WD (RHD) |              | ERH = 4.0L Power Tech | DDD = 5 Speed HD Manual      |
| M = X       |                        |              |                       | DG0 = Auto. Trans.           |
| P = Sahara  |                        |              |                       | DBB = Manual Trans.          |
| S = Rubicon |                        |              |                       | DDK = 5 Speed Manual         |

AR = Use as required - = Non illustrated part # = New this model year

August 27, 2004

Front Vinyl, Trim Code [H6]  
Figure ITJ-510

| ITEM | PART NUMBER | QTY | LINE | SERIES | BODY | ENGINE | TRANS | TRIM | DESCRIPTION               |
|------|-------------|-----|------|--------|------|--------|-------|------|---------------------------|
| 1    |             |     |      |        |      |        |       |      | BACK, Front Seat          |
|      | ZG94 1DVAA  | 1   | U    |        | 77   |        |       | H6   | [DV], Right               |
|      |             | 1   | J    |        | 77   |        |       | H6   | [DV], Right               |
|      | ZG94 1J3AA  | 1   | J    |        | 77   |        |       | H6   | [J3], Right               |
|      |             | 1   | U    |        | 77   |        |       | H6   | [J3], Right               |
|      | ZG95 1DVAA  | 1   | U    |        | 77   |        |       | H6   | [DV], Left                |
|      |             | 1   | J    |        | 77   |        |       | H6   | [DV], Left                |
|      | ZG95 1J3AA  | 1   | J    |        | 77   |        |       | H6   | [J3], Left                |
|      |             | 1   | U    |        | 77   |        |       | H6   | [J3], Left                |
| 2    |             |     |      |        |      |        |       |      | COVER, Front Seat Back    |
|      | ZG92 1DVAA  | 1   | J    |        | 77   |        |       | H6   | [DV], Right               |
|      |             | 1   | U    |        | 77   |        |       | H6   | [DV], Right               |
|      | ZG92 1J3AA  | 1   | J    |        | 77   |        |       | H6   | [J3], Right               |
|      |             | 1   | U    |        | 77   |        |       | H6   | [J3], Right               |
|      | ZG93 1DVAA  | 1   | U    |        | 77   |        |       | H6   | [DV], Left                |
|      |             | 1   | J    |        | 77   |        |       | H6   | [DV], Left                |
|      | ZG93 1J3AA  | 1   | J    |        | 77   |        |       | H6   | [J3], Left                |
|      |             | 1   | U    |        | 77   |        |       | H6   | [J3], Left                |
| 3    |             |     |      |        |      |        |       |      | COVER, Front Seat Cushion |
|      | XU20 1DVAA  | 1   | U    |        | 77   |        |       | H6   | [DV], Right               |
|      |             | 1   | J    |        | 77   |        |       | H6   | [DV], Right               |
|      | XU20 1J3AA  | 1   | J    |        | 77   |        |       | H6   | [J3], Right               |
|      |             | 1   | U    |        | 77   |        |       | H6   | [J3], Right               |
|      | XU21 1DVAA  | 1   | J    |        | 77   |        |       | H6   | [DV], Left                |
|      |             | 1   | U    |        | 77   |        |       | H6   | [DV], Left                |
|      | XU21 1J3AA  | 1   | J    |        | 77   |        |       | H6   | [J3], Left                |
|      |             | 1   | U    |        | 77   |        |       | H6   | [J3], Left                |
| 4    |             |     |      |        |      |        |       |      | WIRE KIT, Trimming        |
|      | 5093 573AA  | 2   | J    |        | 77   |        |       | H6   |                           |
|      |             | 2   | U    |        | 77   |        |       | H6   |                           |
| 5    |             |     |      |        |      |        |       |      | FOAM, Seat Cushion        |
|      | 5093 574AA  | 1   | J    |        | 77   |        |       | H6   | Right                     |
|      |             | 1   | U    |        | 77   |        |       | H6   | Right                     |
|      | 5093 575AA  | 1   | U    |        | 77   |        |       | H6   | Left                      |
|      |             | 1   | J    |        | 77   |        |       | H6   | Left                      |
| 6    |             |     |      |        |      |        |       |      | FRAME, Front Seat         |
|      | 5093 572AA  | 2   | J    |        | 77   |        |       | H6   |                           |
|      |             | 2   | U    |        | 77   |        |       | H6   |                           |
| 7    |             |     |      |        |      |        |       |      | KNOB, Seat Back Latch     |
|      | 5093 667AA  | 1   | J    |        | 77   |        |       | H6   |                           |
|      |             | 1   | U    |        | 77   |        |       | H6   |                           |
| 8    |             |     |      |        |      |        |       |      | BEZEL, Seat Release       |

JEEP WRANGLER (TJ)

SERIES  
H = Sport  
L = SE  
M = X  
P = Sahara  
S = Rubicon

LINE  
J = Wrangler 4WD  
U = Wrangler 4WD (RHD)

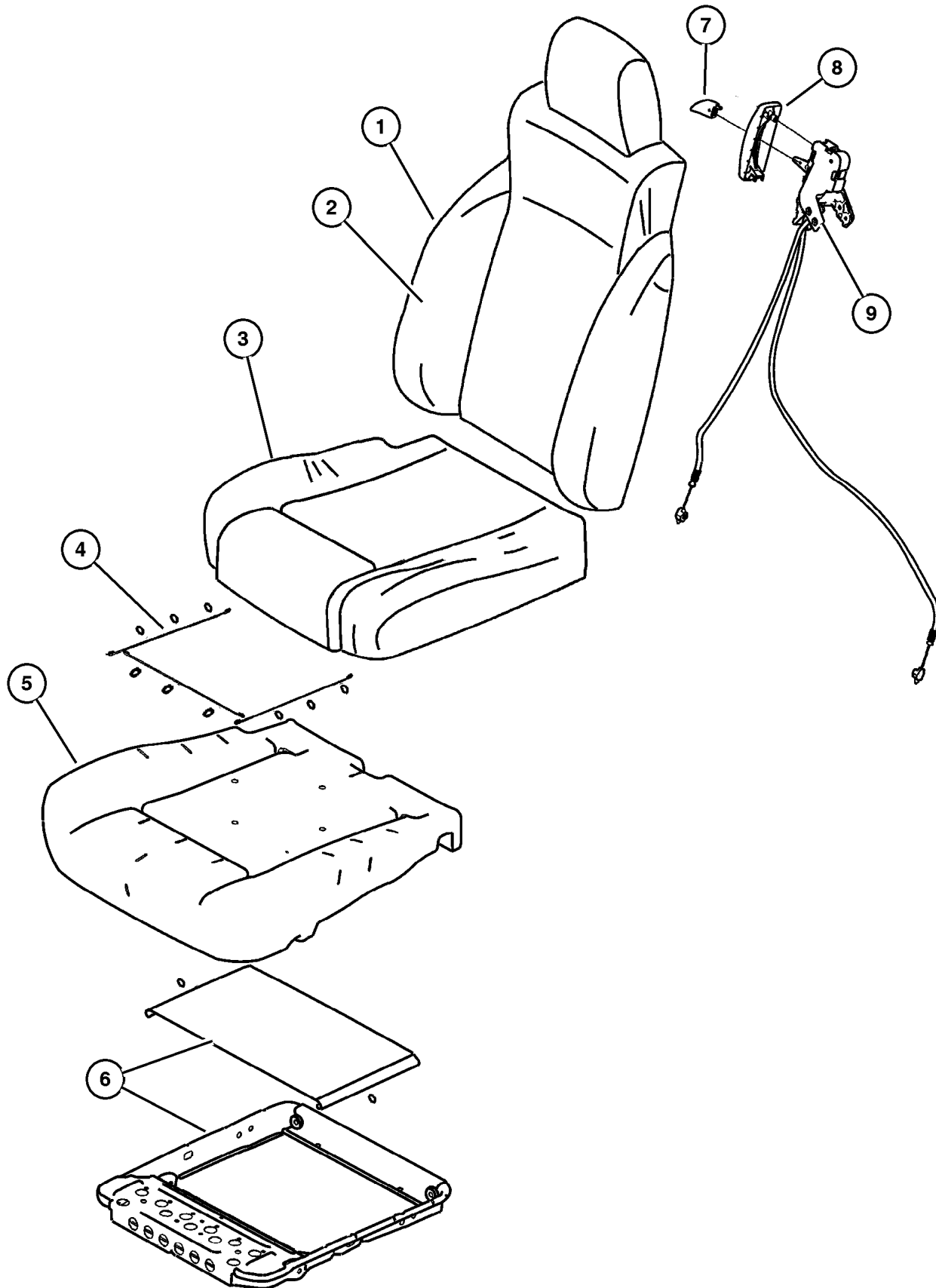
BODY  
77 = 93.4 WB

ENGINE  
ED1, ED0 = 2.4L DOHC  
ERH = 4.0L Power Tech

TRANSMISSION  
DGG, DGD = 32RH 3 Spd. Auto.  
DDD = 5 Speed HD Manual  
DGO = Auto. Trans.  
DBB = Manual Trans.  
DDK = 5 Speed Manual

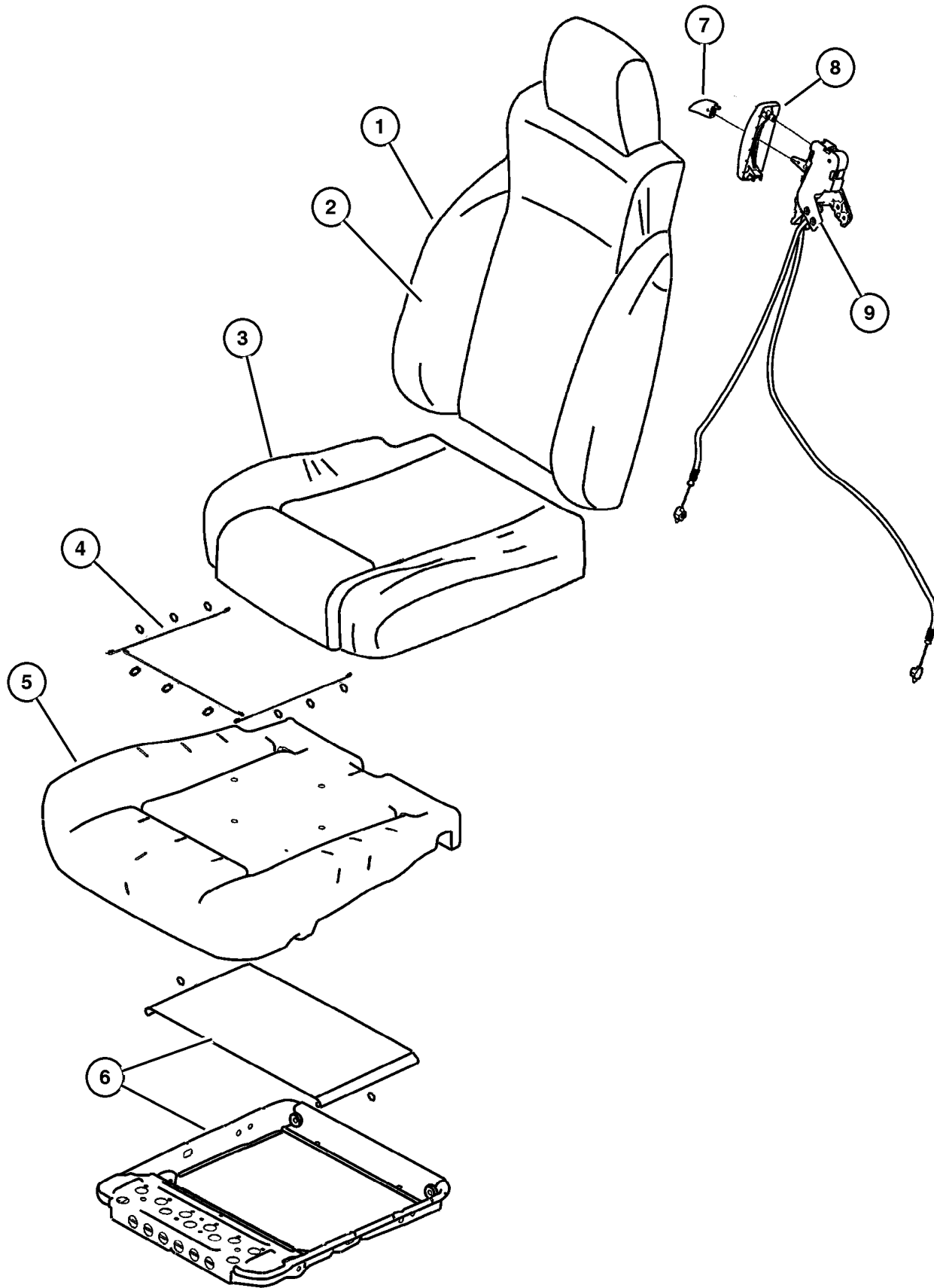
AR = Use as required - = Non illustrated part # = New this model year

August 27, 2004



Front Vinyl, Trim Code [H6]  
Figure ITJ-510

| ITEM | PART NUMBER | QTY | LINE | SERIES | BODY | ENGINE | TRANS | TRIM | DESCRIPTION                            |
|------|-------------|-----|------|--------|------|--------|-------|------|--|
|      | 5093 666AA  | 1   | J    |        | 77   |        |       | H6   |  |
|      |             | 1   | U    |        | 77   |        |       | H6   |  |
| 9    | 5093 669AB  | 1   | J    |        | 77   |        |       | H6   | CABLE, Seat Back Release               |
|      |             | 1   | U    |        | 77   |        |       | H6   |  |
| -10  |             |     |      |        |      |        |       |      | SCREW, Trim, Cable Release to Recliner |
|      | 5135 791AA  | 2   | U    |        | 77   |        |       | H6   | After 9/8/03                           |
|      |             | 2   | J    |        | 77   |        |       | H6   | After 9/8/03                           |



JEEP WRANGLER (TJ)

|             |                        |              |                       |                              |
|-------------|------------------------|--------------|-----------------------|------------------------------|
| SERIES      | LINE                   | BODY         | ENGINE                | TRANSMISSION                 |
| H = Sport   | J = Wrangler 4WD       | 77 = 93.4 WB | ED1, ED0 = 2.4L DOHC  | DGG, DGD = 32RH 3 Spd. Auto. |
| L = SE      | U = Wrangler 4WD (RHD) |              | ERH = 4.0L Power Tech | DDD = 5 Speed HD Manual      |
| M = X       |                        |              |                       | DG0 = Auto. Trans.           |
| P = Sahara  |                        |              |                       | DBB = Manual Trans.          |
| S = Rubicon |                        |              |                       | DDK = 5 Speed Manual         |

AR = Use as required - = Non illustrated part # = New this model year

August 27, 2004

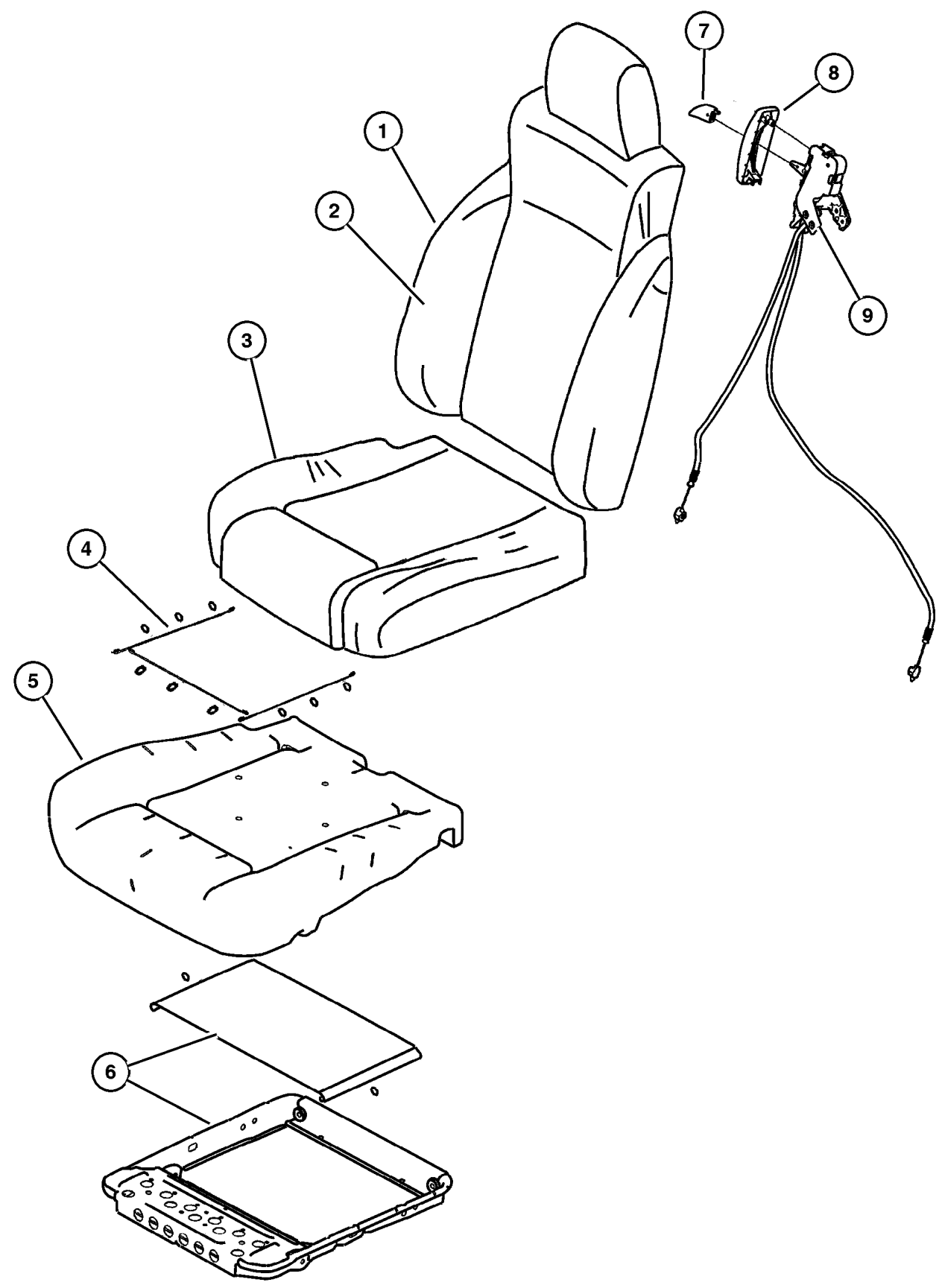
Front, Cloth, Trim Code [P5]  
Figure ITJ-520

| ITEM | PART NUMBER | QTY | LINE | SERIES | BODY   | ENGINE | TRANS | TRIM | DESCRIPTION               |
|------|-------------|-----|------|--------|--------|--------|-------|------|---------------------------|
| 1    |             |     |      |        |        |        |       |      | BACK, Front Seat          |
|      | 1CC26 1DVAA | 1   | J    |        | 77, 78 |        |       | P5   | [DV], Right               |
|      |             | 1   | U    |        | 77     |        |       | P5   | [DV], Right               |
|      | 1CC26 1J3AA | 1   | J    |        | 77, 78 |        |       | P5   | [J3], Right               |
|      |             | 1   | U    |        | 77     |        |       | P5   | [J3], Right               |
|      | 1CC27 1DVAA | 1   | J    |        | 77, 78 |        |       | P5   | [DV], Left                |
|      |             | 1   | U    |        | 77     |        |       | P5   | [DV], Left                |
|      | 1CC27 1J3AA | 1   | J    |        | 77, 78 |        |       | P5   | [J3], Left                |
|      |             | 1   | J    |        | 77     |        |       | P5   | [J3], Left                |
| 2    |             |     |      |        |        |        |       |      | COVER, Front Seat Back    |
|      | 1CC24 1DVAA | 1   | J    |        | 77, 78 |        |       | P5   | [DV], Right               |
|      |             | 1   | J    |        | 77     |        |       | P5   | [DV], Right               |
|      | 1CC24 1J3AA | 1   | J    |        | 77, 78 |        |       | P5   | [J3], Right               |
|      |             | 1   | U    |        | 77     |        |       | P5   | [J3], Right               |
|      | 1CC25 1DVAA | 1   | J    |        | 77, 78 |        |       | P5   | [DV], Left                |
|      |             | 1   | J    |        | 77     |        |       | P5   | [DV], Left                |
|      | 1CC25 1J3AA | 1   | J    |        | 77, 78 |        |       | P5   | [J3], Left                |
|      |             | 1   | J    |        | 77     |        |       | P5   | [J3], Left                |
| 3    |             |     |      |        |        |        |       |      | COVER, Front Seat Cushion |
|      | 1CC18 1DVAA | 1   | J    |        | 77, 78 |        |       | P5   | [DV], Right               |
|      |             | 1   | U    |        | 77     |        |       | P5   | [DV], Right               |
|      | 1CC18 1J3AA | 1   | J    |        | 77, 78 |        |       | P5   | [J3], Right               |
|      |             | 1   | U    |        | 77     |        |       | P5   | [J3], Right               |
|      | 1CC19 1DVAA | 1   | J    |        | 77, 78 |        |       | P5   | [DV], Left                |
|      |             | 1   | U    |        | 77     |        |       | P5   | [DV], Left                |
|      | 1CC19 1J3AA | 1   | J    |        | 77, 78 |        |       | P5   | [J3], Left                |
|      |             | 1   | U    |        | 77     |        |       | P5   | [J3], Left                |
| 4    |             |     |      |        |        |        |       |      | WIRE KIT, Trimming        |
|      | 5093 573AA  | 2   | U    |        | 77     |        |       | P5   |                           |
|      |             | 2   | J    |        | 77, 78 |        |       | P5   |                           |
| 5    |             |     |      |        |        |        |       |      | FOAM, Seat Cushion        |
|      | 5093 574AA  | 1   | U    |        | 77     |        |       | P5   | Right                     |
|      |             | 1   | J    |        | 77, 78 |        |       | P5   | Right                     |
|      | 5093 575AA  | 1   | U    |        | 77     |        |       | P5   | Left                      |
|      |             | 1   | J    |        | 77, 78 |        |       | P5   | Left                      |
| 6    |             |     |      |        |        |        |       |      | FRAME, Front Seat         |
|      | 5093 572AA  | 2   | U    |        | 77     |        |       | P5   |                           |
|      |             | 2   | J    |        | 77, 78 |        |       | P5   |                           |
| 7    |             |     |      |        |        |        |       |      | KNOB, Seat Back Latch     |
|      | 5093 667AA  | 1   | J    |        | 77     |        |       | P5   |                           |
|      |             | 1   | U    |        | 77     |        |       | P5   |                           |
| 8    |             |     |      |        |        |        |       |      | BEZEL, Seat Release       |

JEEP WRANGLER (TJ)  
 SERIES LINE BODY ENGINE TRANSMISSION  
 H = Sport J = Wrangler 4WD 77 = 93.4 WB ED1, ED0 = 2.4L DOHC DGG, DGD = 32RH 3 Spd.  
 L = SE U = Wrangler 4WD (RHD) ERH = 4.0L Power Tech Auto.  
 M = X  
 P = Sahara  
 S = Rubicon  
 DDD = 5 Speed HD Manual  
 DG0 = Auto. Trans.  
 DBB = Manual Trans.  
 DDK = 5 Speed Manual

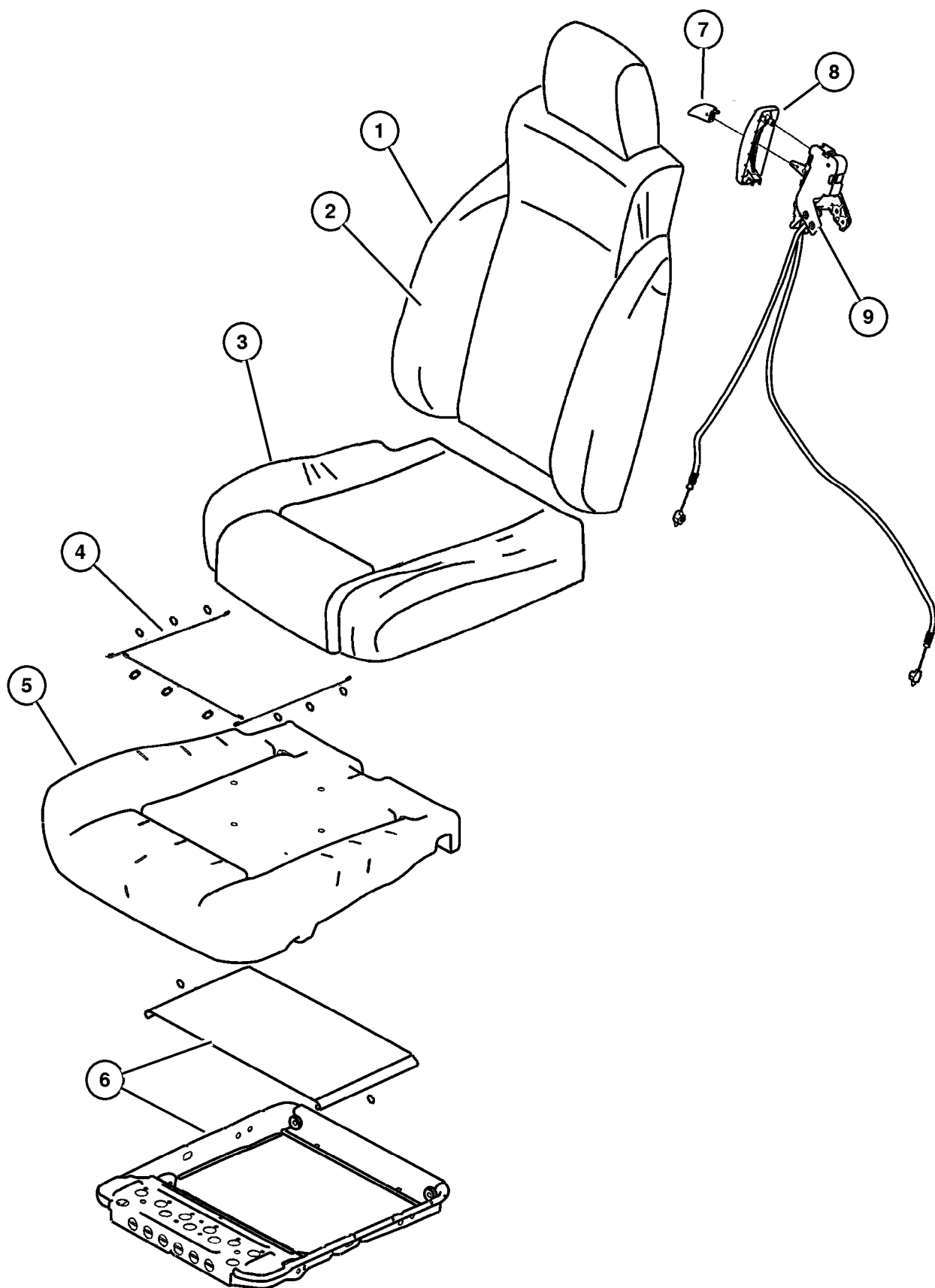
AR = Use as required - = Non illustrated part # = New this model year

August 27, 2004



Front, Cloth, Trim Code [P5]  
Figure ITJ-520

| ITEM | PART NUMBER | QTY | LINE | SERIES | BODY   | ENGINE | TRANS | TRIM | DESCRIPTION                            |
|------|-------------|-----|------|--------|--------|--------|-------|------|--|
|      | 5093 666AA  | 1   | J    |        | 77     |        |       | P5   |  |
|      |             | 1   | U    |        | 77     |        |       | P5   |  |
| 9    | 5093 669AB  | 1   | U    |        | 77     |        |       | P5   | CABLE, Seat Back Release               |
|      |             | 1   | J    |        | 77, 78 |        |       | P5   |  |
| -10  |             |     |      |        |        |        |       |      | SCREW, Trim, Cable Release to Recliner |
|      | 5135 791AA  | 2   | U    |        | 77     |        |       | P5   | After 9/8/03                           |
|      |             | 2   | J    |        | 77, 78 |        |       | P5   |  |



JEEP WRANGLER (TJ)

|             |                        |              |                       |                              |
|-------------|------------------------|--------------|-----------------------|------------------------------|
| SERIES      | LINE                   | BODY         | ENGINE                | TRANSMISSION                 |
| H = Sport   | J = Wrangler 4WD       | 77 = 93.4 WB | ED1, ED0 = 2.4L DOHC  | DGG, DGD = 32RH 3 Spd. Auto. |
| L = SE      | U = Wrangler 4WD (RHD) |              | ERH = 4.0L Power Tech | DDD = 5 Speed HD Manual      |
| M = X       |                        |              |                       | DG0 = Auto. Trans.           |
| P = Sahara  |                        |              |                       | DBB = Manual Trans.          |
| S = Rubicon |                        |              |                       | DDK = 5 Speed Manual         |

AR = Use as required - = Non illustrated part # = New this model year

August 27, 2004

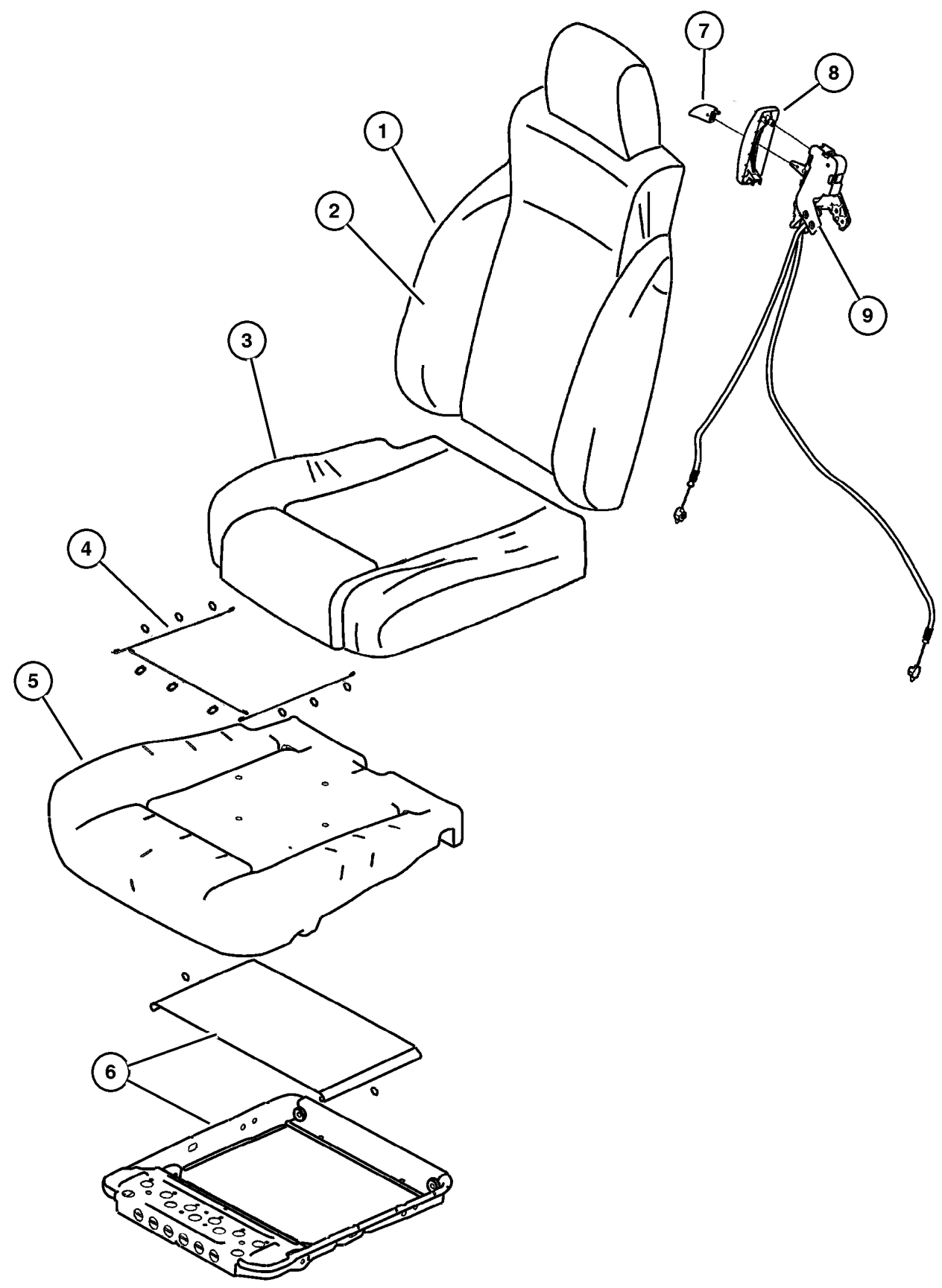
Front, Cloth, Trim Code [S5]  
Figure ITJ-530

| ITEM | PART NUMBER | QTY | LINE | SERIES | BODY | ENGINE | TRANS | TRIM | DESCRIPTION               |
|------|-------------|-----|------|--------|------|--------|-------|------|---------------------------|
| 1    |             |     |      |        |      |        |       |      | BACK, Front Seat          |
|      | 1CC40 1DVAA | 1   | J    |        | 77   |        |       | S5   | Right                     |
|      |             | 1   | J    |        | 78   |        |       | S5   | Right                     |
|      |             | 1   | U    |        | 77   |        |       | S5   | Right                     |
|      | 1CC41 1DVAA | 1   | J    |        | 77   |        |       | S5   | Left                      |
|      |             | 1   | J    |        | 78   |        |       | S5   | Left                      |
|      |             | 1   | U    |        | 77   |        |       | S5   | Left                      |
| 2    |             |     |      |        |      |        |       |      | COVER, Front Seat Back    |
|      | 1CC38 1DVAA | 1   | J    |        | 77   |        |       | S5   | Right                     |
|      |             | 1   | J    |        | 78   |        |       | S5   | Right                     |
|      |             | 1   | U    |        | 77   |        |       | S5   | Right                     |
|      | 1CC39 1DVAA | 1   | J    |        | 77   |        |       | S5   | Left                      |
|      |             | 1   | J    |        | 78   |        |       | S5   | Left                      |
|      |             | 1   | U    |        | 77   |        |       | S5   | Left                      |
| 3    |             |     |      |        |      |        |       |      | COVER, Front Seat Cushion |
|      | 1CC32 1DVAA | 1   | J    |        | 77   |        |       | S5   | Right                     |
|      |             | 1   | J    |        | 78   |        |       | S5   | Right                     |
|      |             | 1   | U    |        | 77   |        |       | S5   | Right                     |
|      | 1CC33 1DVAA | 1   | J    |        | 77   |        |       | S5   | Left                      |
|      |             | 1   | J    |        | 78   |        |       | S5   | Left                      |
|      |             | 1   | U    |        | 77   |        |       | S5   | Left                      |
| 4    |             |     |      |        |      |        |       |      | WIRE KIT, Trimming        |
|      | 5093 573AA  | 2   | J    |        | 78   |        |       | S5   |                           |
|      |             | 2   | J    |        | 77   |        |       | S5   |                           |
|      |             | 2   | U    |        | 77   |        |       | S5   |                           |
| 5    |             |     |      |        |      |        |       |      | FOAM, Seat Cushion        |
|      | 5093 574AA  | 1   | J    |        | 78   |        |       | S5   | Right                     |
|      |             | 1   | J    |        | 77   |        |       | S5   | Right                     |
|      |             | 1   | U    |        | 77   |        |       | S5   | Right                     |
|      | 5093 575AA  | 1   | J    |        | 78   |        |       | S5   | Left                      |
|      |             | 1   | J    |        | 77   |        |       | S5   | Left                      |
|      |             | 1   | U    |        | 77   |        |       | S5   | Left                      |
| 6    |             |     |      |        |      |        |       |      | FRAME, Front Seat         |
|      | 5093 572AA  | 2   | J    |        | 78   |        |       | S5   |                           |
|      |             | 2   | J    |        | 77   |        |       | S5   |                           |
|      |             | 1   | U    |        | 77   |        |       | S5   |                           |
| 7    |             |     |      |        |      |        |       |      | KNOB, Seat Back Latch     |
|      | 5093 667AA  | 1   | J    |        | 78   |        |       | S5   |                           |
|      |             | 1   | J    |        | 77   |        |       | S5   |                           |
|      |             | 1   | U    |        | 77   |        |       | S5   |                           |
| 8    |             |     |      |        |      |        |       |      | BEZEL, Seat Release       |

JEEP WRANGLER (TJ)  
 SERIES H = Sport L = SE M = X P = Sahara S = Rubicon  
 LINE J = Wrangler 4WD U = Wrangler 4WD (RHD)  
 BODY 77 = 93.4 WB  
 ENGINE ED1, ED0 = 2.4L DOHC ERH = 4.0L Power Tech  
 TRANSMISSION DGG, DGD = 32RH 3 Spd. Auto. DDD = 5 Speed HD Manual DG0 = Auto. Trans. DBB = Manual Trans. DDK = 5 Speed Manual

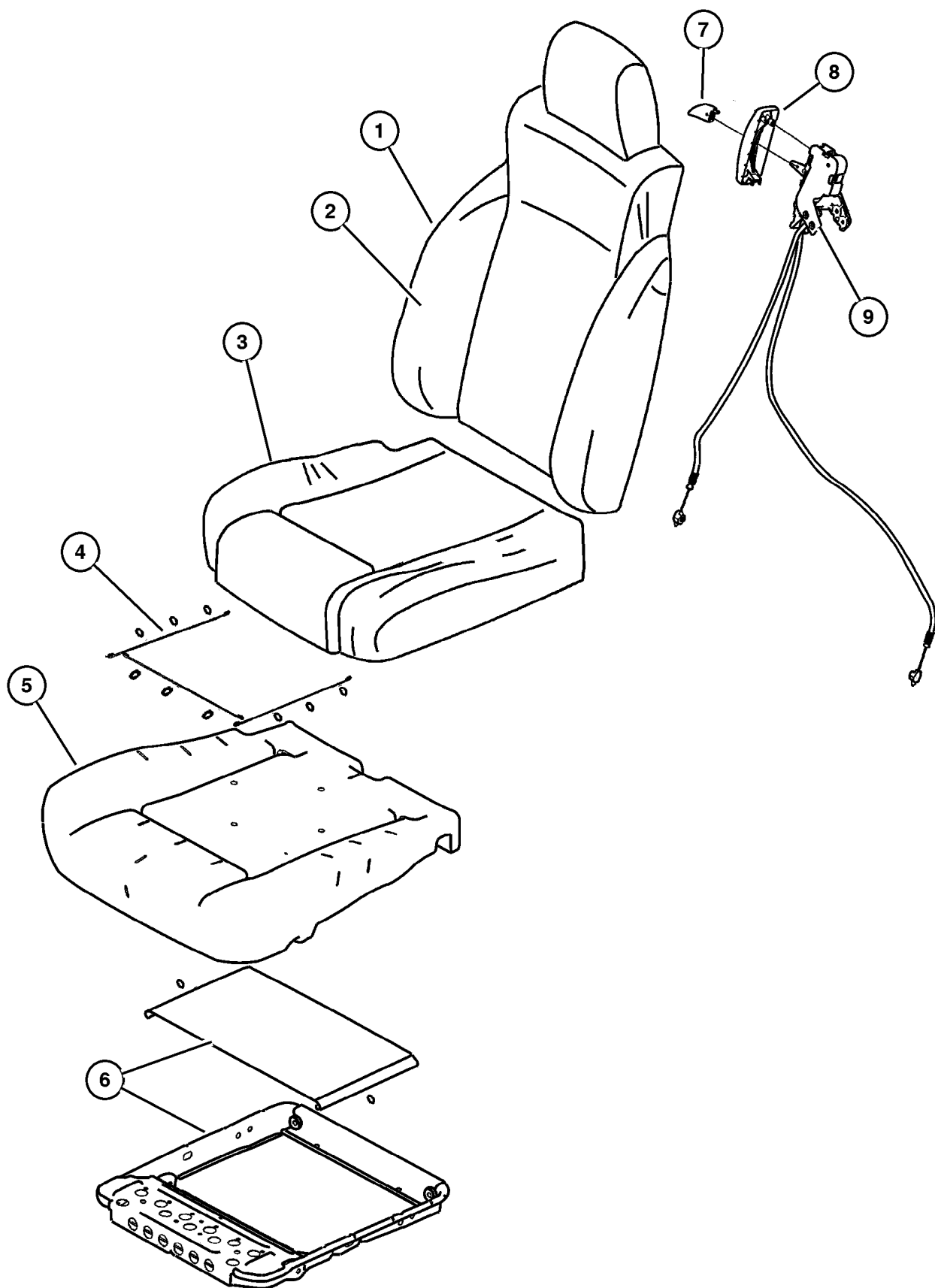
AR = Use as required - = Non illustrated part # = New this model year

August 27, 2004



Front, Cloth, Trim Code [S5]  
Figure ITJ-530

| ITEM | PART NUMBER | QTY | LINE | SERIES | BODY | ENGINE | TRANS | TRIM | DESCRIPTION                            |
|------|-------------|-----|------|--------|------|--------|-------|------|--|
|      | 5093 666AA  | 1   | J    |        | 78   |        |       | S5   |  |
|      |             | 1   | J    |        | 77   |        |       | S5   |  |
|      |             | 1   | U    |        | 77   |        |       | S5   |  |
| 9    | 5093 669AB  | 1   | J    |        | 78   |        |       | S5   | CABLE, Seat Back Release               |
|      |             | 1   | J    |        | 77   |        |       | S5   |  |
|      |             | 1   | U    |        | 77   |        |       | S5   |  |
| -10  |             |     |      |        |      |        |       |      | SCREW, Trim, Cable Release to Recliner |
|      | 5135 791AA  | 2   | U    |        | 77   |        |       | S5   | After 9/8/03                           |
|      |             | 2   | J    |        | 78   |        |       | S5   |  |
|      |             | 2   | J    |        | 77   |        |       | S5   |  |



JEEP WRANGLER (TJ)

|             |                        |              |                       |                              |
|-------------|------------------------|--------------|-----------------------|------------------------------|
| SERIES      | LINE                   | BODY         | ENGINE                | TRANSMISSION                 |
| H = Sport   | J = Wrangler 4WD       | 77 = 93.4 WB | ED1, ED0 = 2.4L DOHC  | DGG, DGD = 32RH 3 Spd. Auto. |
| L = SE      | U = Wrangler 4WD (RHD) |              | ERH = 4.0L Power Tech | DDD = 5 Speed HD Manual      |
| M = X       |                        |              |                       | DG0 = Auto. Trans.           |
| P = Sahara  |                        |              |                       | DBB = Manual Trans.          |
| S = Rubicon |                        |              |                       | DDK = 5 Speed Manual         |

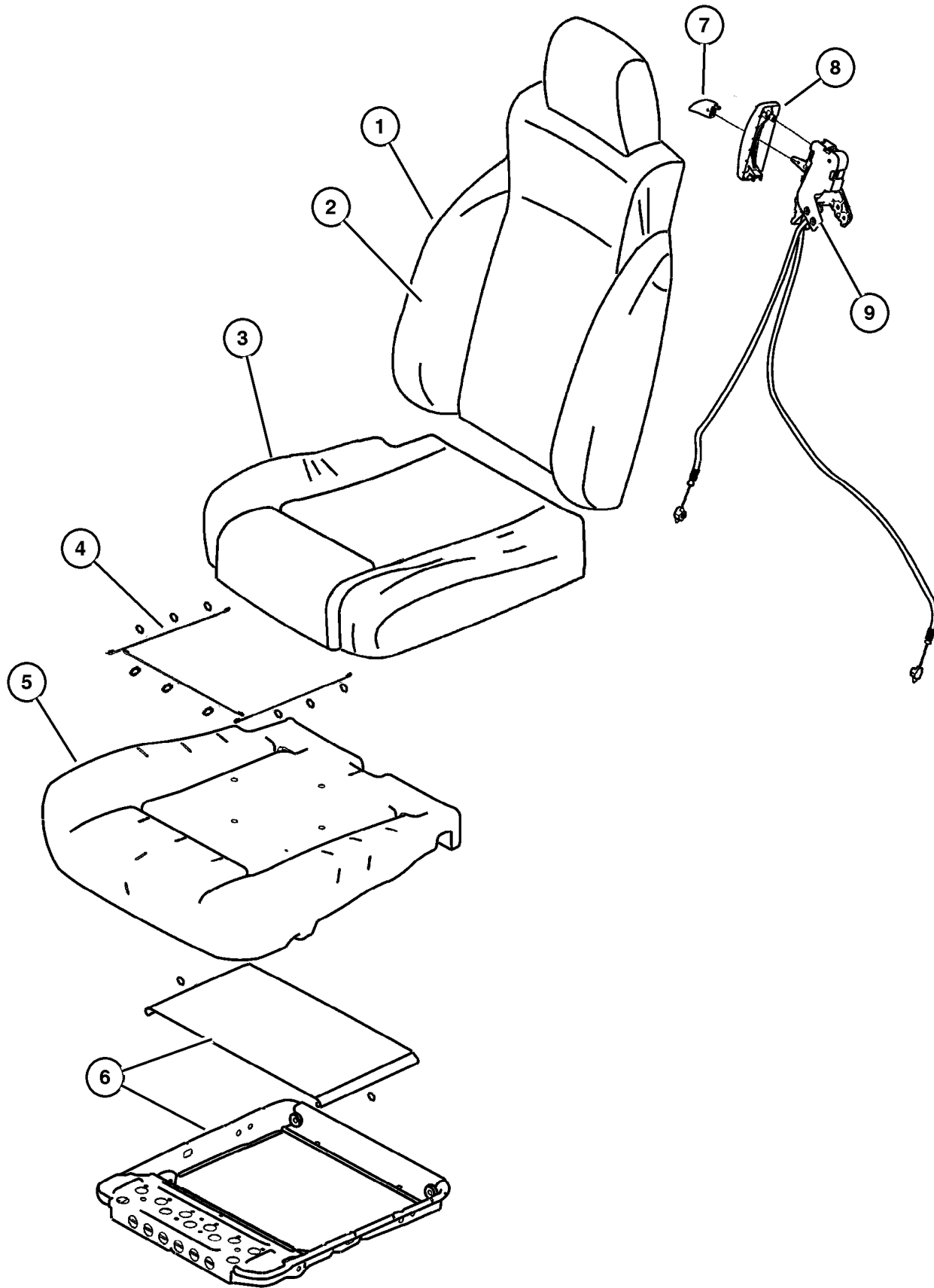
AR = Use as required - = Non illustrated part # = New this model year

August 27, 2004



Front, Cloth, Trim Code [Q5]  
Figure ITJ-540

| ITEM | PART NUMBER | QTY | LINE | SERIES | BODY | ENGINE | TRANS | TRIM | DESCRIPTION                            |
|------|-------------|-----|------|--------|------|--------|-------|------|--|
| 1    |             |     |      |        |      |        |       |      | BACK, Front Seat                       |
|      | 1CC68 1DVAA | 1   | J    |        | 77   |        |       | Q5   | Right                                  |
|      | 1CC69 1DVAA | 1   | J    |        | 77   |        |       | Q5   | Left                                   |
| 2    |             |     |      |        |      |        |       |      | COVER, Front Seat Back                 |
|      | 1CC66 1DVAA | 1   | J    |        | 77   |        |       | Q5   | Right                                  |
|      | 1CC67 1DVAA | 1   | J    |        | 77   |        |       | Q5   | Left                                   |
| 3    |             |     |      |        |      |        |       |      | COVER, Front Seat Cushion              |
|      | 1CC64 1DVAA | 1   | J    |        | 77   |        |       | Q5   | Right                                  |
|      | 1CC65 1DVAA | 1   | J    |        | 77   |        |       | Q5   | Left                                   |
| 4    | 5093 573AA  | 2   | J    |        | 77   |        |       | Q5   | WIRE KIT, Trimming                     |
| 5    |             |     |      |        |      |        |       |      | FOAM, Seat Cushion                     |
|      | 5093 574AA  | 1   | J    |        | 77   |        |       | Q5   | Right                                  |
|      | 5093 575AA  | 1   | J    |        | 77   |        |       | Q5   | Left                                   |
| 6    | 5093 572AA  | 2   | J    |        | 77   |        |       | Q5   | FRAME, Front Seat                      |
| 7    | 5093 667AA  | 1   | J    |        | 77   |        |       | Q5   | KNOB, Seat Back Latch                  |
| 8    | 5093 666AA  | 1   | J    |        | 77   |        |       | Q5   | BEZEL, Seat Release                    |
| 9    | 5093 669AB  | 1   | J    |        | 77   |        |       | Q5   | CABLE, Seat Back Release               |
| -10  | 5135 791AA  | 2   | J    |        | 77   |        |       | Q5   | SCREW, Trim, Cable Release to Recliner |



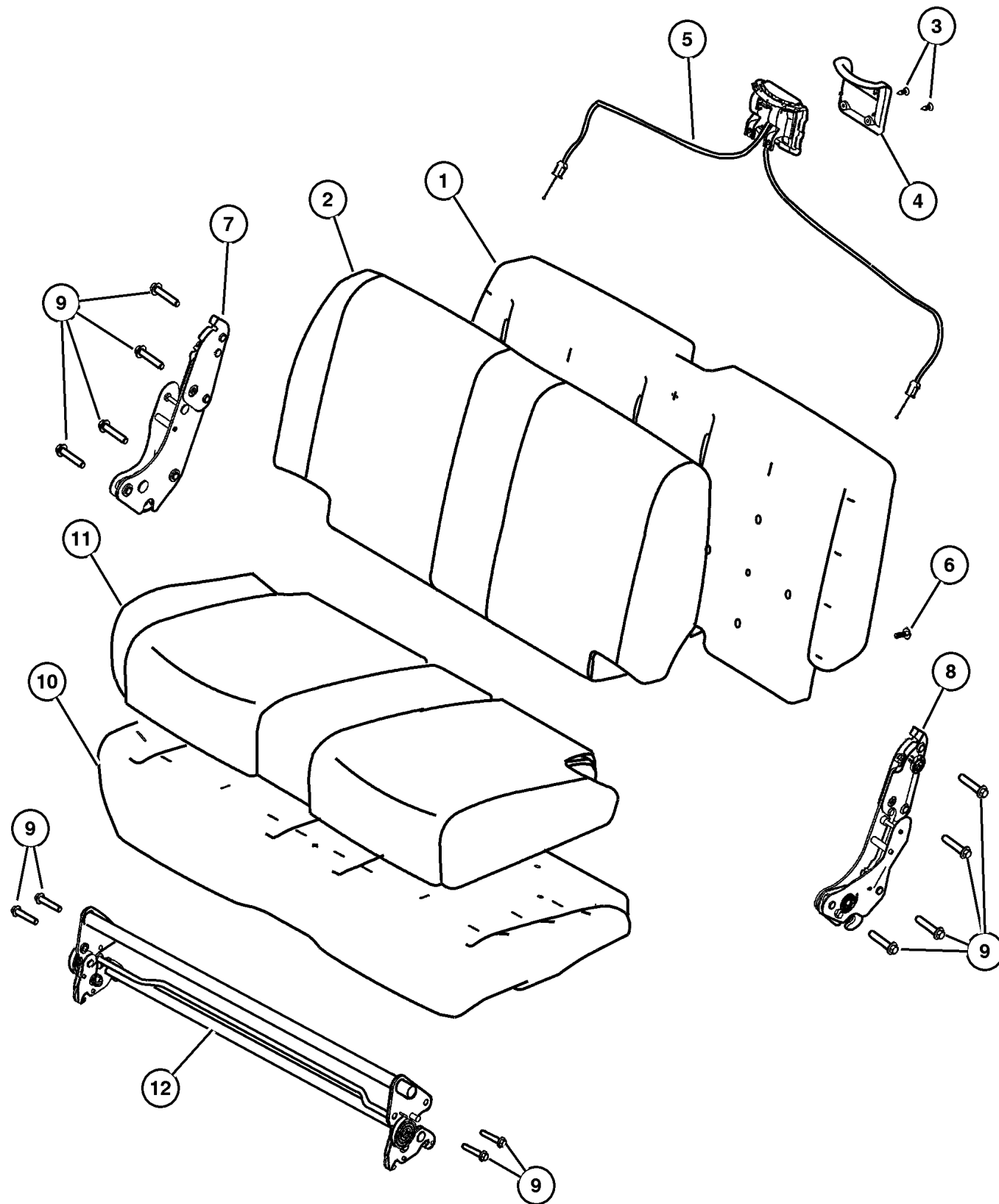
JEEP WRANGLER (TJ)

|             |                        |              |                       |                              |
|-------------|------------------------|--------------|-----------------------|------------------------------|
| SERIES      | LINE                   | BODY         | ENGINE                | TRANSMISSION                 |
| H = Sport   | J = Wrangler 4WD       | 77 = 93.4 WB | ED1, ED0 = 2.4L DOHC  | DGG, DGD = 32RH 3 Spd. Auto. |
| L = SE      | U = Wrangler 4WD (RHD) |              | ERH = 4.0L Power Tech | DDD = 5 Speed HD Manual      |
| M = X       |                        |              |                       | DG0 = Auto. Trans.           |
| P = Sahara  |                        |              |                       | DBB = Manual Trans.          |
| S = Rubicon |                        |              |                       | DDK = 5 Speed Manual         |

AR = Use as required - = Non illustrated part # = New this model year

August 27, 2004

Rear, Vinyl, Trim Code [H6]  
Figure ITJ-610



| ITEM | PART NUMBER | QTY | LINE | SERIES | BODY | ENGINE | TRANS | TRIM | DESCRIPTION              |
|------|-------------|-----|------|--------|------|--------|-------|------|--------------------------|
| 1    |             |     |      |        |      |        |       |      | SEAT BACK, Rear          |
|      | XU23 1DVAA  | 1   | J    |        | 77   |        |       | H6   | [DV]                     |
|      |             | 1   | U    |        | 77   |        |       | H6   | [DV]                     |
|      | XU23 1J3AA  | 1   | U    |        | 77   |        |       | H6   | [J3]                     |
|      |             | 1   | J    |        | 77   |        |       | H6   | [J3]                     |
| 2    |             |     |      |        |      |        |       |      | COVER, Rear Seat Back    |
|      | XU19 1DVAA  | 1   | J    |        | 77   |        |       | H6   | [DV]                     |
|      |             | 1   | U    |        | 77   |        |       | H6   | [DV]                     |
|      | XU19 1J3AA  | 1   | J    |        | 77   |        |       | H6   | [J3]                     |
|      |             | 1   | U    |        | 77   |        |       | H6   | [J3]                     |
| 3    |             |     |      |        |      |        |       |      | SCREW, Trim              |
|      | 5072 741AA  | 2   | J    |        | 77   |        |       | H6   |                          |
|      |             | 2   | U    |        | 77   |        |       | H6   |                          |
| 4    |             |     |      |        |      |        |       |      | COVER, Seat latch        |
|      | 5093 702AA  | 1   | J    |        | 77   |        |       | H6   |                          |
|      |             | 1   | U    |        | 77   |        |       | H6   |                          |
| 5    |             |     |      |        |      |        |       |      | CABLE, REAR SEAT RELEASE |
|      | 5093 668AA  | 1   | J    |        | 77   |        |       | H6   |                          |
|      |             | 1   | U    |        | 77   |        |       | H6   |                          |
| 6    |             |     |      |        |      |        |       |      | RETAINER, Cushion Cover  |
|      | 5019 522AA  | 4   | J    |        | 77   |        |       | H6   |                          |
|      |             | 4   | U    |        | 77   |        |       | H6   |                          |
| 7    |             |     |      |        |      |        |       |      | LATCH, Seat              |
|      | 5093 586AA  | 1   | J    |        | 77   |        |       | H6   | Right                    |
|      |             | 1   | U    |        | 77   |        |       | H6   | Right                    |
|      | 5093 587AA  | 1   | J    |        | 77   |        |       | H6   | Left                     |
|      |             | 1   | U    |        | 77   |        |       | H6   | Left                     |
| 8    |             |     |      |        |      |        |       |      | LATCH, Seat              |
|      | 5093 586AA  | 1   | J    |        | 77   |        |       | H6   |                          |
|      |             | 1   | U    |        | 77   |        |       | H6   |                          |
| 9    |             |     |      |        |      |        |       |      | BOLT, Latch Seat Back    |
|      | 5093 646AA  | 12  | J    |        | 77   |        |       | H6   |                          |
|      |             | 12  | U    |        | 77   |        |       | H6   |                          |
| 10   |             |     |      |        |      |        |       |      | CUSHION, Rear Seat       |
|      | XU33 1DVAB  | 1   | J    |        | 77   |        |       | H6   | [DV]                     |
|      |             | 1   | U    |        | 77   |        |       | H6   | [DV]                     |
|      | XU33 1J3AB  | 1   | J    |        | 77   |        |       | H6   | [J3]                     |
|      |             | 1   | U    |        | 77   |        |       | H6   | [J3]                     |
| 11   |             |     |      |        |      |        |       |      | COVER, Rear Seat Cushion |
|      | XU27 1DVAB  | 1   | U    |        | 77   |        |       | H6   | [DV]                     |
|      |             | 1   | J    |        | 77   |        |       | H6   | [DV]                     |

JEEP WRANGLER (TJ)

SERIES  
H = Sport  
L = SE  
M = X  
P = Sahara  
S = Rubicon

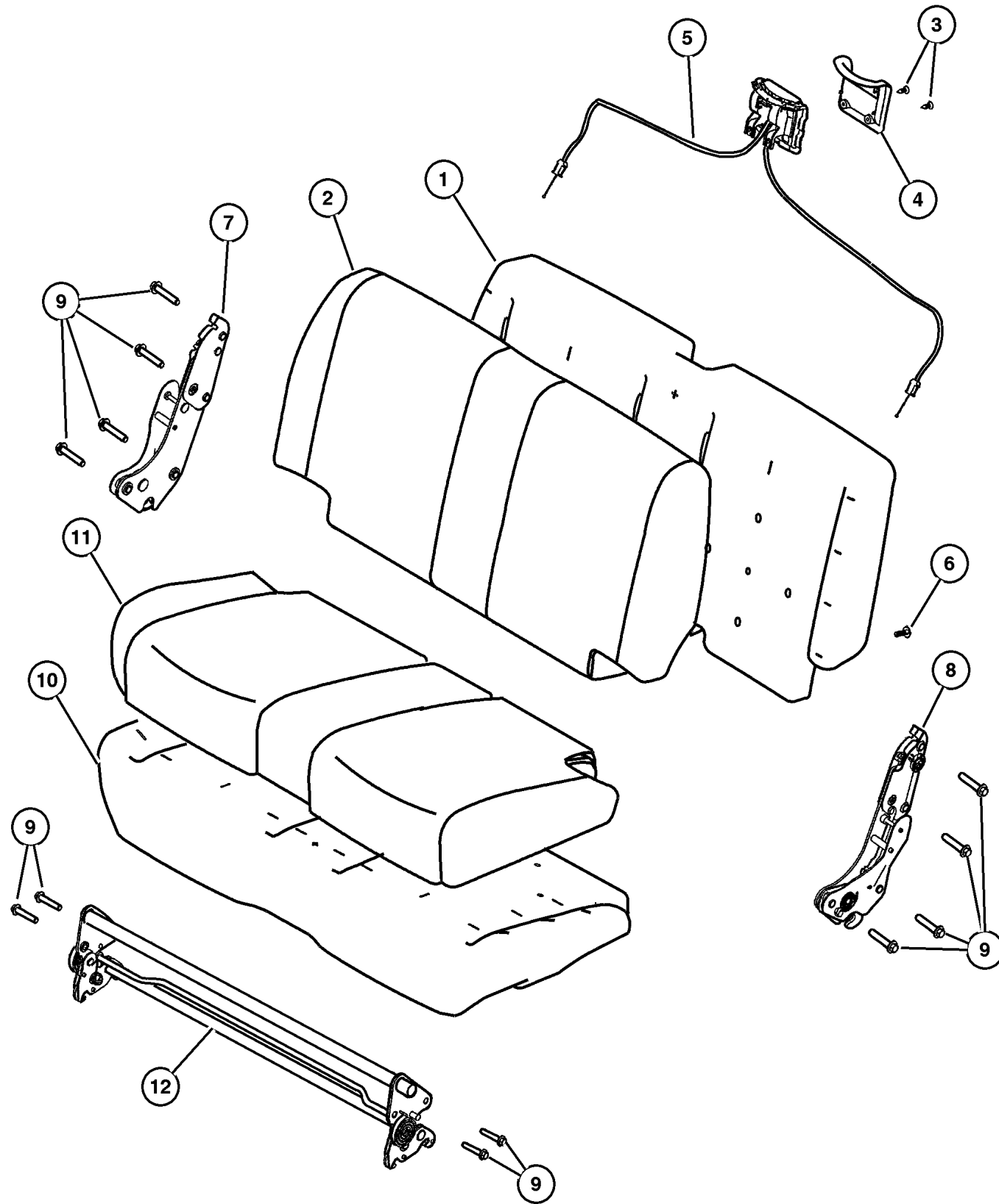
LINE  
J = Wrangler 4WD  
U = Wrangler 4WD (RHD)

BODY  
77 = 93.4 WB

ENGINE  
ED1, ED0 = 2.4L DOHC  
ERH = 4.0L Power Tech

TRANSMISSION  
DGG, DGD = 32RH 3 Spd. Auto.  
DDD = 5 Speed HD Manual  
DGO = Auto. Trans.  
DBB = Manual Trans.  
DDK = 5 Speed Manual

Rear, Vinyl, Trim Code [H6]  
Figure ITJ-610



| ITEM | PART NUMBER | QTY | LINE | SERIES | BODY | ENGINE | TRANS | TRIM | DESCRIPTION              |
|------|-------------|-----|------|--------|------|--------|-------|------|--------------------------|
|      | XU27 1J3AB  | 1   | J    |        | 77   |        |       | H6   | [J3]                     |
|      |             | 1   | U    |        | 77   |        |       | H6   | [J3]                     |
| 12   | 5093 670AA  | 1   | J    |        | 77   |        |       | H6   | BRACKET, Rear Seat Mount |
|      |             | 1   | U    |        | 77   |        |       | H6   |                          |

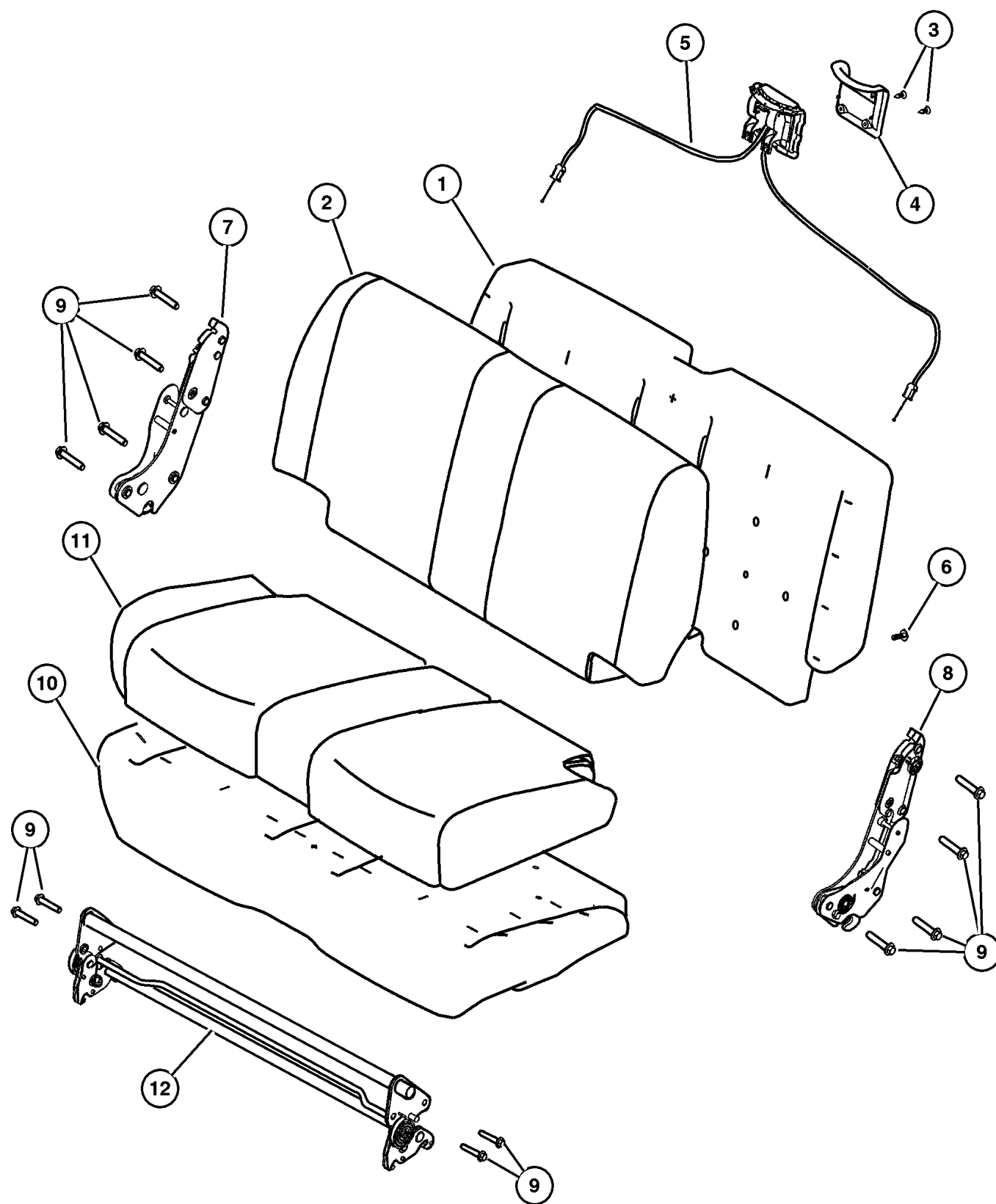
JEEP WRANGLER (TJ)

|             |                        |              |                       |                              |
|-------------|------------------------|--------------|-----------------------|------------------------------|
| SERIES      | LINE                   | BODY         | ENGINE                | TRANSMISSION                 |
| H = Sport   | J = Wrangler 4WD       | 77 = 93.4 WB | ED1, ED0 = 2.4L DOHC  | DGG, DGD = 32RH 3 Spd. Auto. |
| L = SE      | U = Wrangler 4WD (RHD) |              | ERH = 4.0L Power Tech | DDD = 5 Speed HD Manual      |
| M = X       |                        |              |                       | DG0 = Auto. Trans.           |
| P = Sahara  |                        |              |                       | DBB = Manual Trans.          |
| S = Rubicon |                        |              |                       | DDK = 5 Speed Manual         |

AR = Use as required - = Non illustrated part # = New this model year

August 27, 2004

Rear, Cloth, Trim Code [P5]  
Figure ITJ-620



| ITEM | PART NUMBER | QTY | LINE | SERIES | BODY   | ENGINE | TRANS | TRIM | DESCRIPTION              |
|------|-------------|-----|------|--------|--------|--------|-------|------|--------------------------|
| 1    |             |     |      |        |        |        |       |      | SEAT BACK, Rear          |
|      | 1CC21 1DVAA | 1   | J    |        | 77, 78 |        |       | P5   | [DV]                     |
|      |             | 1   | U    |        | 77     |        |       | P5   | [DV]                     |
|      | 1CC21 1J3AA | 1   | J    |        | 77, 78 |        |       | P5   | [J3]                     |
|      |             | 1   | U    |        | 77     |        |       | P5   | [J3]                     |
| 2    |             |     |      |        |        |        |       |      | COVER, Rear Seat Back    |
|      | 1CC20 1DVAA | 1   | J    |        | 77, 78 |        |       | P5   | [DV]                     |
|      |             | 1   | U    |        | 77     |        |       | P5   | [DV]                     |
|      | 1CC20 1J3AA | 1   | J    |        | 77, 78 |        |       | P5   | [J3]                     |
|      |             | 1   | U    |        | 77     |        |       | P5   | [J3]                     |
| 3    |             |     |      |        |        |        |       |      | SCREW, Trim              |
|      | 5072 741AA  | 2   | U    |        | 77     |        |       | P5   |                          |
|      |             | 2   | J    |        | 77, 78 |        |       | P5   |                          |
| 4    |             |     |      |        |        |        |       |      | COVER, Seat latch        |
|      | 5093 702AA  | 1   | U    |        | 77     |        |       | P5   |                          |
|      |             | 1   | J    |        | 77, 78 |        |       | P5   |                          |
| 5    |             |     |      |        |        |        |       |      | CABLE, REAR SEAT RELEASE |
|      | 5093 668AA  | 1   | U    |        | 77     |        |       | P5   |                          |
|      |             | 1   | J    |        | 77, 78 |        |       | P5   |                          |
| 6    |             |     |      |        |        |        |       |      | RETAINER, Cushion Cover  |
|      | 5019 522AA  | 4   | J    |        | 77, 78 |        |       | P5   |                          |
|      |             | 4   | U    |        | 77     |        |       | P5   |                          |
| 7    |             |     |      |        |        |        |       |      | LATCH, Seat              |
|      | 5093 586AA  | 1   | U    |        | 77     |        |       | P5   | Right                    |
|      |             | 1   | J    |        | 77, 78 |        |       | P5   | Right                    |
| 8    |             |     |      |        |        |        |       |      | LATCH, Seat              |
|      | 5093 587AA  | 1   | U    |        | 77     |        |       | P5   | Left                     |
|      |             | 1   | J    |        | 77, 78 |        |       | P5   | Left                     |
| 9    |             |     |      |        |        |        |       |      | BOLT, Latch Seat Back    |
|      | 5093 646AA  | 12  | J    |        | 77, 78 |        |       | P5   |                          |
|      |             | 12  | U    |        | 77     |        |       | P5   |                          |
| 10   |             |     |      |        |        |        |       |      | CUSHION, Rear Seat       |
|      | 1CC22 1DVAA | 1   | J    |        | 77, 78 |        |       | P5   | [DV]                     |
|      |             | 1   | U    |        | 77     |        |       | P5   | [DV]                     |
|      | 1CC22 1J3AA | 1   | J    |        | 77, 78 |        |       | P5   | [J3]                     |
|      |             | 1   | U    |        | 77     |        |       | P5   | [J3]                     |
| 11   |             |     |      |        |        |        |       |      | COVER, Rear Seat Cushion |
|      | 1CC23 1DVAA | 1   | J    |        | 77, 78 |        |       | P5   | [DV]                     |
|      |             | 1   | U    |        | 77     |        |       | P5   | [DV]                     |
|      | 1CC23 1J3AA | 1   | J    |        | 77, 78 |        |       | P5   | [J3]                     |
|      |             | 1   | U    |        | 77     |        |       | P5   | [J3]                     |
| 12   |             |     |      |        |        |        |       |      | BRACKET, Rear Seat Mount |

JEEP WRANGLER (TJ)

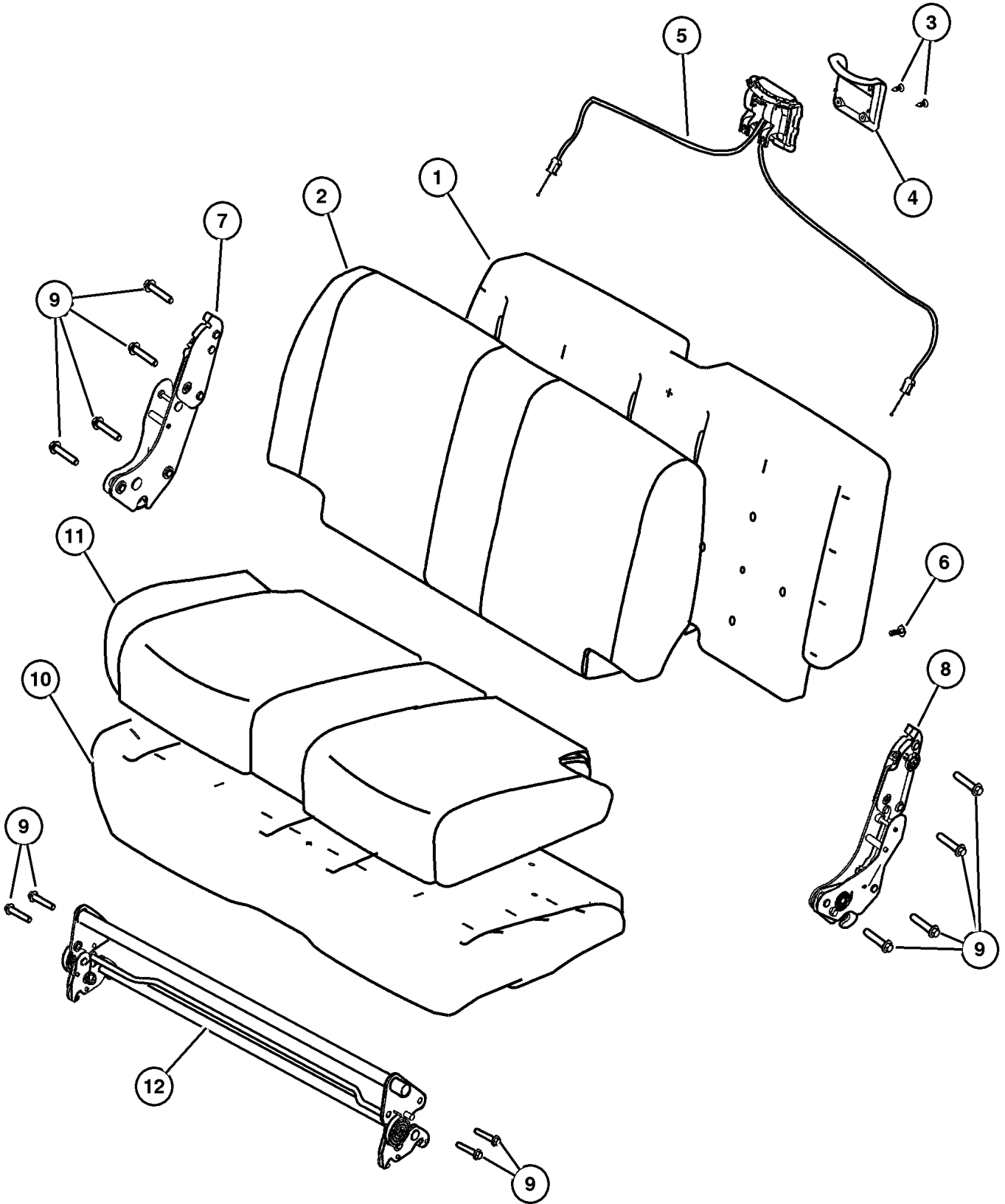
|             |                        |              |                       |                              |
|-------------|------------------------|--------------|-----------------------|------------------------------|
| SERIES      | LINE                   | BODY         | ENGINE                | TRANSMISSION                 |
| H = Sport   | J = Wrangler 4WD       | 77 = 93.4 WB | ED1, ED0 = 2.4L DOHC  | DGG, DGD = 32RH 3 Spd. Auto. |
| L = SE      | U = Wrangler 4WD (RHD) |              | ERH = 4.0L Power Tech | DDD = 5 Speed HD Manual      |
| M = X       |                        |              |                       | DG0 = Auto. Trans.           |
| P = Sahara  |                        |              |                       | DBB = Manual Trans.          |
| S = Rubicon |                        |              |                       | DDK = 5 Speed Manual         |

AR = Use as required - = Non illustrated part # = New this model year

August 27, 2004

Rear, Cloth, Trim Code [P5]  
Figure ITJ-620

| ITEM | PART NUMBER | QTY | LINE | SERIES | BODY   | ENGINE | TRANS | TRIM | DESCRIPTION |
|------|-------------|-----|------|--------|--------|--------|-------|------|-------------|
|      | 5093 670AA  | 1   | U    |        | 77     |        |       | P5   |             |
|      |             | 1   | J    |        | 77, 78 |        |       | P5   |             |



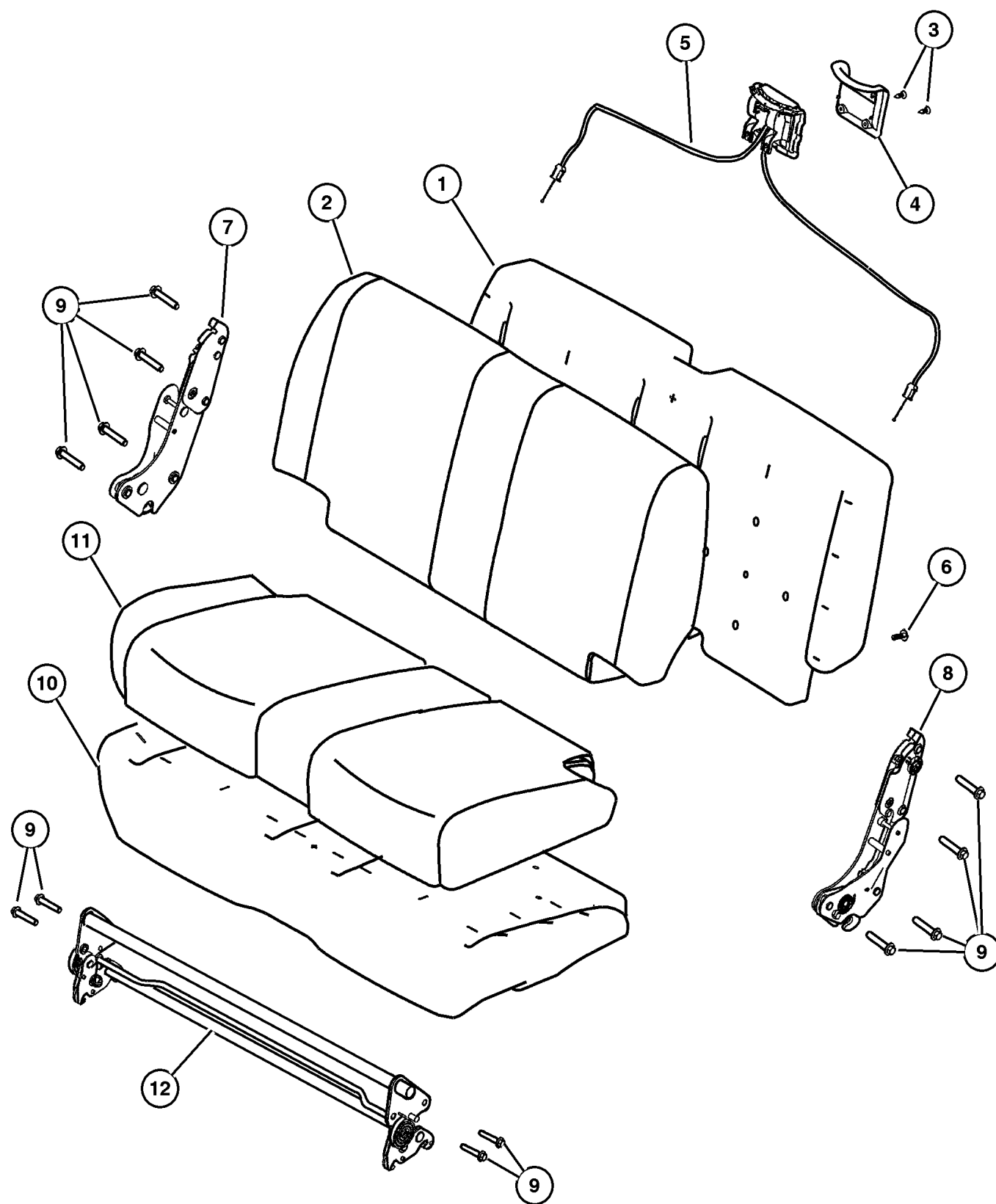
JEEP WRANGLER (TJ)

|             |                        |              |                       |                              |
|-------------|------------------------|--------------|-----------------------|------------------------------|
| SERIES      | LINE                   | BODY         | ENGINE                | TRANSMISSION                 |
| H = Sport   | J = Wrangler 4WD       | 77 = 93.4 WB | ED1, ED0 = 2.4L DOHC  | DGG, DGD = 32RH 3 Spd. Auto. |
| L = SE      | U = Wrangler 4WD (RHD) |              | ERH = 4.0L Power Tech | DDD = 5 Speed HD Manual      |
| M = X       |                        |              |                       | DG0 = Auto. Trans.           |
| P = Sahara  |                        |              |                       | DBB = Manual Trans.          |
| S = Rubicon |                        |              |                       | DDK = 5 Speed Manual         |

AR = Use as required - = Non illustrated part # = New this model year

August 27, 2004

Rear, Cloth, Trim Code [S5]  
Figure ITJ-630



| ITEM | PART NUMBER | QTY | LINE | SERIES | BODY | ENGINE | TRANS | TRIM | DESCRIPTION              |
|------|-------------|-----|------|--------|------|--------|-------|------|--------------------------|
| 1    |             |     |      |        |      |        |       |      | SEAT BACK, Rear          |
|      | 1CC34 1DVAA | 1   | J    |        | 77   |        |       | S5   |                          |
|      |             | 1   | J    |        | 78   |        |       | S5   |                          |
|      |             | 1   | U    |        | 77   |        |       | S5   |                          |
| 2    |             |     |      |        |      |        |       |      | COVER, Rear Seat Back    |
|      | 1CC29 1DVAA | 1   | J    |        | 77   |        |       | S5   |                          |
|      |             | 1   | U    |        | 77   |        |       | S5   |                          |
|      |             | 1   | J    |        | 78   |        |       | S5   |                          |
| 3    |             |     |      |        |      |        |       |      | SCREW, Trim              |
|      | 5135 791AA  | 2   | U    |        | 77   |        |       | S5   |                          |
|      |             | 2   | J    |        | 78   |        |       | S5   |                          |
|      | 5072 741AA  | 2   | J    |        | 77   |        |       | S5   |                          |
| 4    |             |     |      |        |      |        |       |      | COVER, Seat latch        |
|      | 5093 702AA  | 1   | J    |        | 77   |        |       | S5   |                          |
|      |             | 1   | J    |        | 78   |        |       | S5   |                          |
|      |             | 1   | U    |        | 77   |        |       | S5   |                          |
| 5    |             |     |      |        |      |        |       |      | CABLE, REAR SEAT RELEASE |
|      | 5093 668AA  | 1   | J    |        | 78   |        |       | S5   |                          |
|      |             | 1   | J    |        | 77   |        |       | S5   |                          |
|      |             | 1   | U    |        | 77   |        |       | S5   |                          |
| 6    |             |     |      |        |      |        |       |      | RETAINER, Cushion Cover  |
|      | 5019 522AA  | 4   | J    |        | 78   |        |       | S5   |                          |
|      |             | 4   | U    |        | 77   |        |       | S5   |                          |
|      |             | 4   | J    |        | 77   |        |       | S5   |                          |
| 7    |             |     |      |        |      |        |       |      | LATCH, Seat, Right       |
|      | 5093 586AA  | 1   | J    |        | 78   |        |       | S5   |                          |
|      |             | 1   | J    |        | 77   |        |       | S5   |                          |
|      |             | 1   | U    |        | 77   |        |       | S5   |                          |
| 8    |             |     |      |        |      |        |       |      | LATCH, Seat, Left        |
|      | 5093 587AA  | 1   | J    |        | 77   |        |       | S5   |                          |
|      |             | 1   | U    |        | 77   |        |       | S5   |                          |
|      |             | 1   | J    |        | 78   |        |       | S5   |                          |
| 9    |             |     |      |        |      |        |       |      | BOLT, Latch Seat Back    |
|      | 5093 646AA  | 12  | J    |        | 78   |        |       | S5   |                          |
|      |             | 12  | J    |        | 77   |        |       | S5   |                          |
|      |             | 12  | U    |        | 77   |        |       | S5   |                          |
| 10   |             |     |      |        |      |        |       |      | CUSHION, Rear Seat       |
|      | 1CC36 1DVAA | 1   | J    |        | 77   |        |       | S5   |                          |
|      |             | 1   | J    |        | 78   |        |       | S5   |                          |
|      |             | 1   | U    |        | 77   |        |       | S5   |                          |
| 11   |             |     |      |        |      |        |       |      | COVER, Rear Seat Cushion |

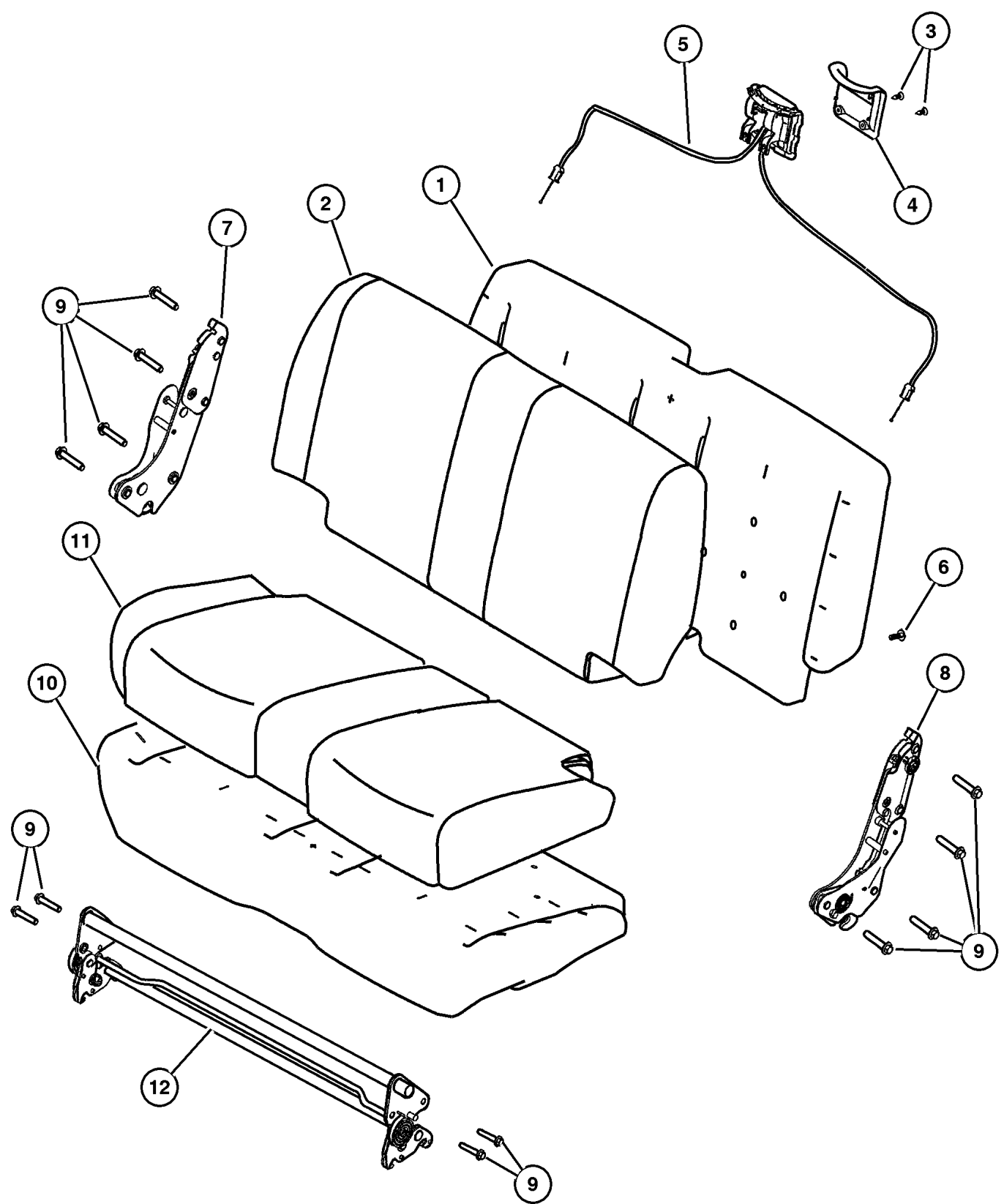
JEEP WRANGLER (TJ)

|             |                        |              |                       |                              |
|-------------|------------------------|--------------|-----------------------|------------------------------|
| SERIES      | LINE                   | BODY         | ENGINE                | TRANSMISSION                 |
| H = Sport   | J = Wrangler 4WD       | 77 = 93.4 WB | ED1, ED0 = 2.4L DOHC  | DGG, DGD = 32RH 3 Spd. Auto. |
| L = SE      | U = Wrangler 4WD (RHD) |              | ERH = 4.0L Power Tech | DDD = 5 Speed HD Manual      |
| M = X       |                        |              |                       | DG0 = Auto. Trans.           |
| P = Sahara  |                        |              |                       | DBB = Manual Trans.          |
| S = Rubicon |                        |              |                       | DDK = 5 Speed Manual         |

AR = Use as required - = Non illustrated part # = New this model year

August 27, 2004

Rear, Cloth, Trim Code [S5]  
Figure ITJ-630



| ITEM | PART NUMBER | QTY | LINE | SERIES | BODY | ENGINE | TRANS | TRIM | DESCRIPTION              |
|------|-------------|-----|------|--------|------|--------|-------|------|--------------------------|
|      | 1CC35 1DVAA | 1   | J    |        | 77   |        |       | S5   |                          |
|      |             | 1   | J    |        | 78   |        |       | S5   |                          |
|      |             | 1   | U    |        | 77   |        |       | S5   |                          |
| 12   | 5093 670AA  | 1   | U    |        | 77   |        |       | S5   | BRACKET, Rear Seat Mount |
|      |             | 1   | J    |        | 78   |        |       | S5   |                          |
|      |             | 1   | J    |        | 77   |        |       | S5   |                          |

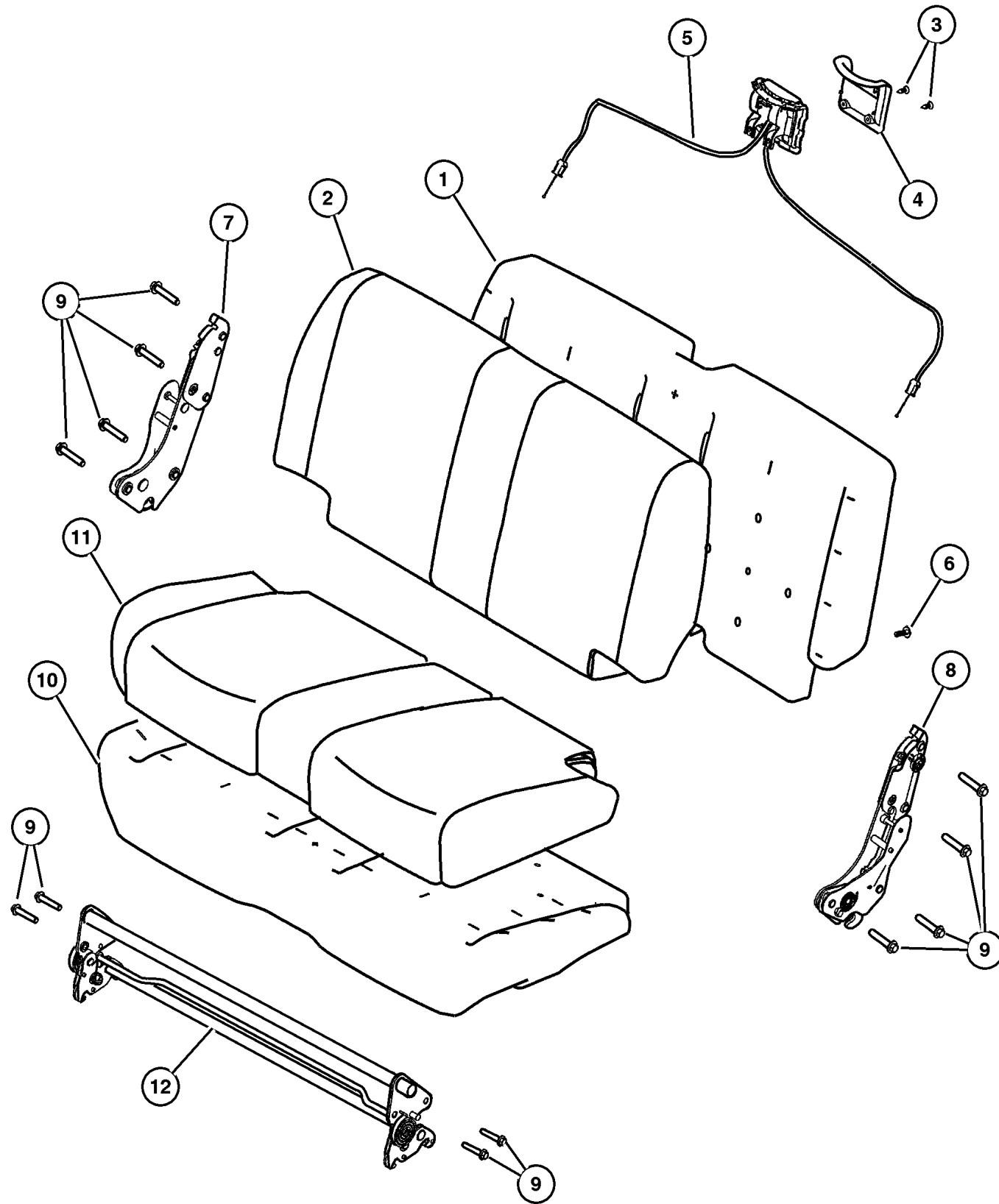
JEEP WRANGLER (TJ)

|             |                        |              |                       |                              |
|-------------|------------------------|--------------|-----------------------|------------------------------|
| SERIES      | LINE                   | BODY         | ENGINE                | TRANSMISSION                 |
| H = Sport   | J = Wrangler 4WD       | 77 = 93.4 WB | ED1, ED0 = 2.4L DOHC  | DGG, DGD = 32RH 3 Spd. Auto. |
| L = SE      | U = Wrangler 4WD (RHD) |              | ERH = 4.0L Power Tech | DDD = 5 Speed HD Manual      |
| M = X       |                        |              |                       | DG0 = Auto. Trans.           |
| P = Sahara  |                        |              |                       | DBB = Manual Trans.          |
| S = Rubicon |                        |              |                       | DDK = 5 Speed Manual         |

AR = Use as required - = Non illustrated part # = New this model year

August 27, 2004

Rear, Cloth, Trim Code [Q5]  
Figure ITJ-640



| ITEM | PART NUMBER | QTY | LINE | SERIES | BODY | ENGINE | TRANS | TRIM | DESCRIPTION              |
|------|-------------|-----|------|--------|------|--------|-------|------|--------------------------|
| 1    | 1CC63 1DVAA | 1   | J    |        | 77   |        |       | Q5   | SEAT BACK, Rear          |
| 2    | 1CC62 1DVAA | 1   | J    |        | 77   |        |       | Q5   | COVER, Rear Seat Back    |
| 3    | 5072 741AA  | 2   | J    |        | 77   |        |       | Q5   | SCREW, Trim              |
| 4    | 5093 702AA  | 1   | J    |        | 77   |        |       | Q5   | COVER, Seat latch        |
| 5    | 5093 668AA  | 1   | J    |        | 77   |        |       | Q5   | CABLE, REAR SEAT RELEASE |
| 6    | 5019 522AA  | 4   | J    |        | 77   |        |       | Q5   | RETAINER, Cushion Cover  |
| 7    | 5093 586AA  | 1   | J    |        | 77   |        |       | Q5   | LATCH, Seat, Right       |
| 8    | 5093 587AA  | 1   | J    |        | 77   |        |       | Q5   | LATCH, Seat, Left        |
| 9    | 5093 646AA  | 12  | J    |        | 77   |        |       | Q5   | BOLT, Latch Seat Back    |
| 10   | 1CC61 1DVAA | 1   | J    |        | 77   |        |       | Q5   | CUSHION, Rear Seat       |
| 11   | 1CC60 1DVAA | 1   | J    |        | 77   |        |       | Q5   | COVER, Rear Seat Cushion |
| 12   | 5093 670AA  | 1   | J    |        | 77   |        |       | Q5   | BRACKET, Rear Seat Mount |

JEEP WRANGLER (TJ)

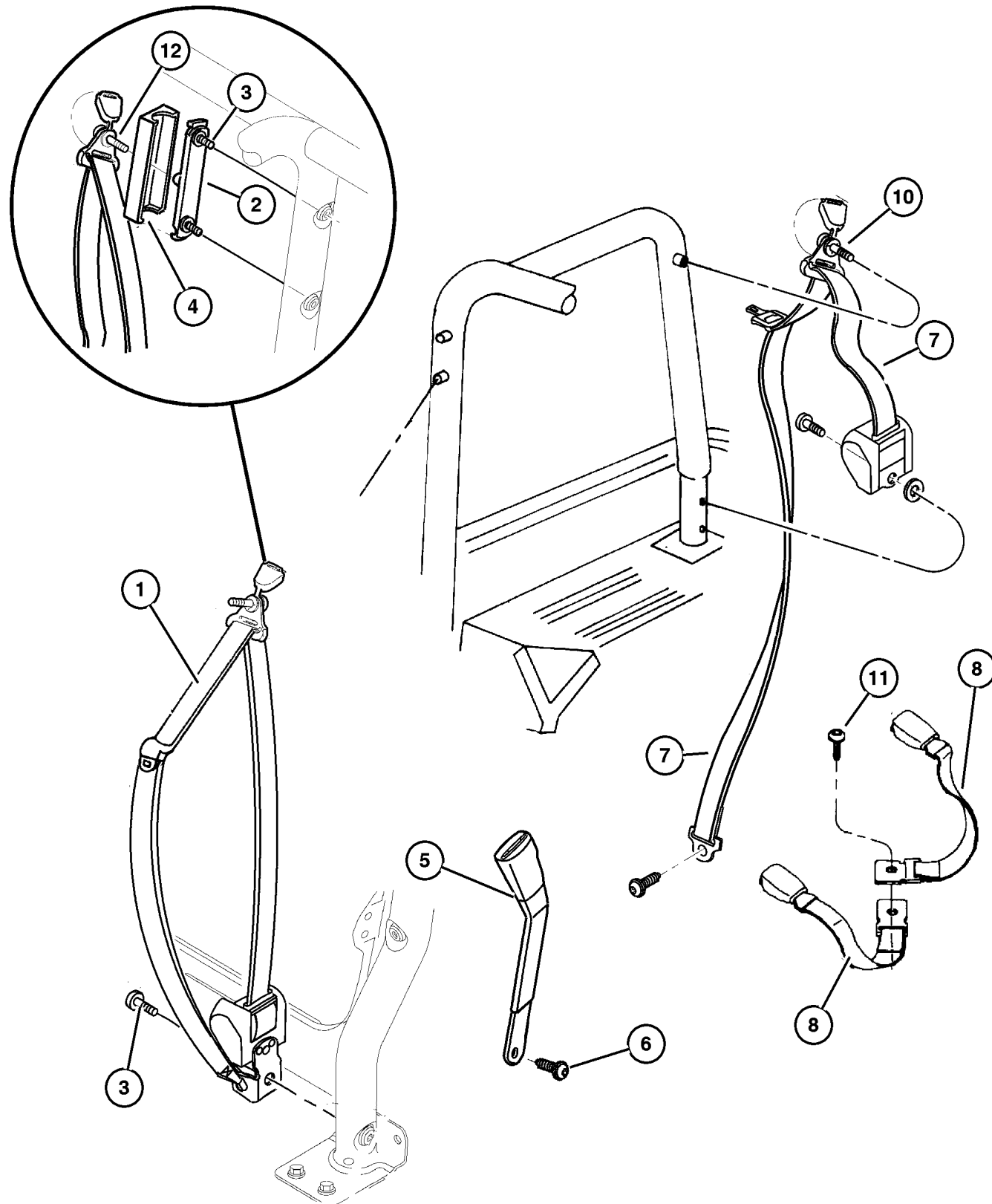
|             |                        |              |                       |                              |
|-------------|------------------------|--------------|-----------------------|------------------------------|
| SERIES      | LINE                   | BODY         | ENGINE                | TRANSMISSION                 |
| H = Sport   | J = Wrangler 4WD       | 77 = 93.4 WB | ED1, ED0 = 2.4L DOHC  | DGG, DGD = 32RH 3 Spd. Auto. |
| L = SE      | U = Wrangler 4WD (RHD) |              | ERH = 4.0L Power Tech | DDD = 5 Speed HD Manual      |
| M = X       |                        |              |                       | DG0 = Auto. Trans.           |
| P = Sahara  |                        |              |                       | DBB = Manual Trans.          |
| S = Rubicon |                        |              |                       | DDK = 5 Speed Manual         |

AR = Use as required - = Non illustrated part # = New this model year

August 27, 2004



## Seat Belts Figure ITJ-710



| ITEM | PART NUMBER  | QTY | LINE | SERIES  | BODY   | ENGINE | TRANS | TRIM | DESCRIPTION                      |
|------|--|-----|------|---------|--------|--------|-------|------|----------------------------------|
| 1    | SEAT BELT, Front Outer                                   |     |      |         |        |        |       |      |                                  |
|      | 5JC57 1X9AC  | 1   |      |         | 77     |        |       | O0   | Left,Export                      |
|      | 5JC56 1X9AC  | 1   |      |         |        |        |       | O0   | Right,Export                     |
|      | 5KK64 1X9AA  | 1   |      |         |        |        |       | O0   | Right                            |
|      | 5KK65 1X9AA  | 1   |      |         |        |        |       | O0   | Left                             |
| 2    | 55217 173AD  | 2   |      |         |        |        |       |      | ADJUSTER, Seat Belt Turning Loop |
| 3    | 6036 108AA   | 2   |      |         |        |        |       |      | SCREW, Pan Head                  |
| 4    | COVER, Turning Loop                                      |     |      |         |        |        |       |      |                                  |
|      | 5HM32 DX9AC  | 1   |      | S       |        |        |       | O0   | Right                            |
|      |  | 1   |      | H, L, M |        |        |       | O0   | Right                            |
|      |  | 1   |      | P       |        |        |       | O0   | Right                            |
|      | 5HM33 DX9AC  | 1   |      | S       |        |        |       | O0   | Left                             |
|      |  | 1   |      | H, L, M |        |        |       | O0   | Left                             |
|      |  | 1   |      | P       |        |        |       | O0   | Left                             |
| 5    | SEAT BELT, Front Inner                                   |     |      |         |        |        |       |      |                                  |
|      | 5HS49 1X9AE  | 1   | J    |         | 77     |        |       | H6   | Driver                           |
|      |  | 1   | U    |         | 77     |        |       | H6   | Driver                           |
|      |  | 1   | J    |         | 78     |        |       | S5   | Driver                           |
|      |  | 1   | J    |         | 77     |        |       | S5   | Driver                           |
|      |  | 1   | U    |         | 77     |        |       | P5   | Driver                           |
|      |  | 1   | J    |         | 77, 78 |        |       | P5   | Driver                           |
|      |  | 1   | U    |         | 77     |        |       | S5   | Driver                           |
|      | 5HS50 1X9AE  | 1   | J    |         | 77     |        |       | Q5   | Driver                           |
|      |  | 1   | J    |         | 77, 78 |        |       | P5   | Passenger                        |
|      |  | 1   | J    |         | 77     |        |       | Q5   | Passenger                        |
|      |  | 1   | U    |         | 77     |        |       | S5   | Passenger                        |
|      |  | 1   | J    |         | 77     |        |       | S5   | Passenger                        |
|      |  | 1   | J    |         | 78     |        |       | S5   | Passenger                        |
|      |  | 1   | U    |         | 77     |        |       | P5   | Passenger                        |
|      |  | 1   | U    |         | 77     |        |       | H6   | Passenger                        |
|      |  | 1   | J    |         | 77     |        |       | H6   | Passenger                        |
| 6    | BOLT, Seat Belt, Front Traveling Inboard Buckle Mounting |     |      |         |        |        |       |      |                                  |
|      | 5093 709AA   | 2   | J    |         | 77     |        |       | H6   |                                  |
|      |  | 2   | U    |         | 77     |        |       | H6   |                                  |
|      |  | 2   | J    |         | 77, 78 |        |       | P5   |                                  |
|      |  | 2   | U    |         | 77     |        |       | P5   |                                  |
|      |  | 2   | J    |         | 77     |        |       | Q5   |                                  |
|      |  | 2   | J    |         | 78     |        |       | S5   |                                  |
|      |  | 2   | J    |         | 77     |        |       | S5   |                                  |
|      |  | 2   | U    |         | 77     |        |       | S5   |                                  |
| 7    | SEAT BELT, Rear Outer                                    |     |      |         |        |        |       |      |                                  |

### JEEP WRANGLER (TJ)

SERIES  
H = Sport  
L = SE  
M = X  
P = Sahara  
S = Rubicon

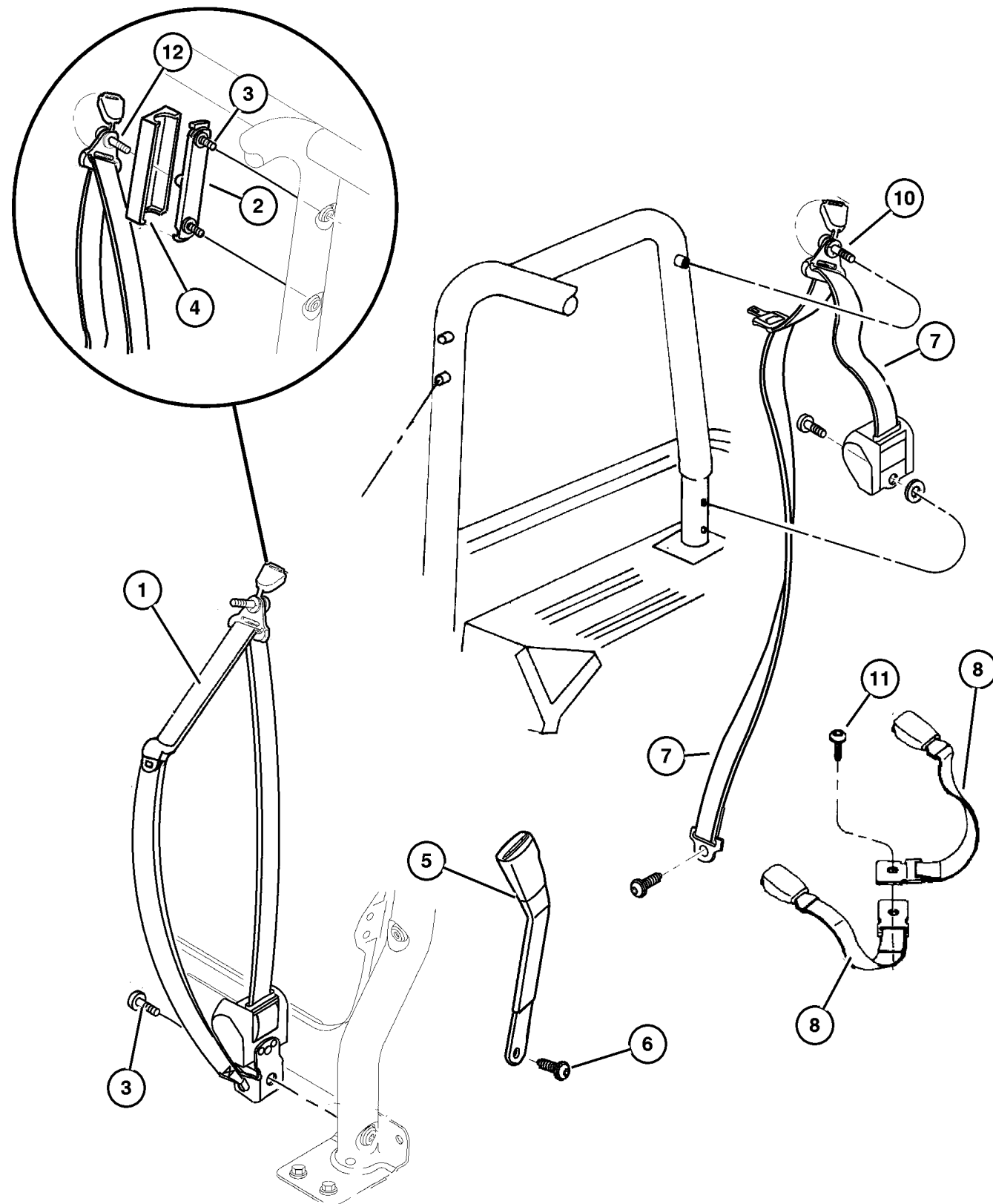
LINE  
J = Wrangler 4WD  
U = Wrangler 4WD (RHD)

BODY  
77 = 93.4 WB

ENGINE  
ED1, ED0 = 2.4L DOHC  
ERH = 4.0L Power Tech

TRANSMISSION  
DGG, DGD = 32RH 3 Spd. Auto.  
DDD = 5 Speed HD Manual  
DGO = Auto. Trans.  
DBB = Manual Trans.  
DDK = 5 Speed Manual

## Seat Belts Figure ITJ-710



| ITEM | PART NUMBER | QTY | LINE | SERIES | BODY   | ENGINE | TRANS | TRIM | DESCRIPTION            |
|------|-------------|-----|------|--------|--------|--------|-------|------|------------------------|
|      | 5HV22 1X9AA | 2   |      |        | 77     |        |       | O0   | Export                 |
|      | 5KK70 1X9AA | 2   |      |        | 77     |        |       | O0   |                        |
|      | 5KK71 1X9AA | 2   | J    |        | 78     |        |       | O0   |                        |
| 8    | 5JC53 1X9AB | 1   |      |        | 77, 78 |        |       | O0   | SEAT BELT, Buckle Half |
| -9   | 5018 505AA  | AR  |      |        |        |        |       | O0   | EXTENDER, Seat Belt    |
| 10   | 6036 438AA  | 2   |      |        | 77     |        |       | O0   | BOLT, Seat Belt        |
| 11   | 6036 295AA  | 2   |      |        |        |        |       |      | SCREW, Pan Head        |
| 12   | 6036 571AA  | 1   |      |        |        |        |       | O0   | BOLT, Seat Belt        |

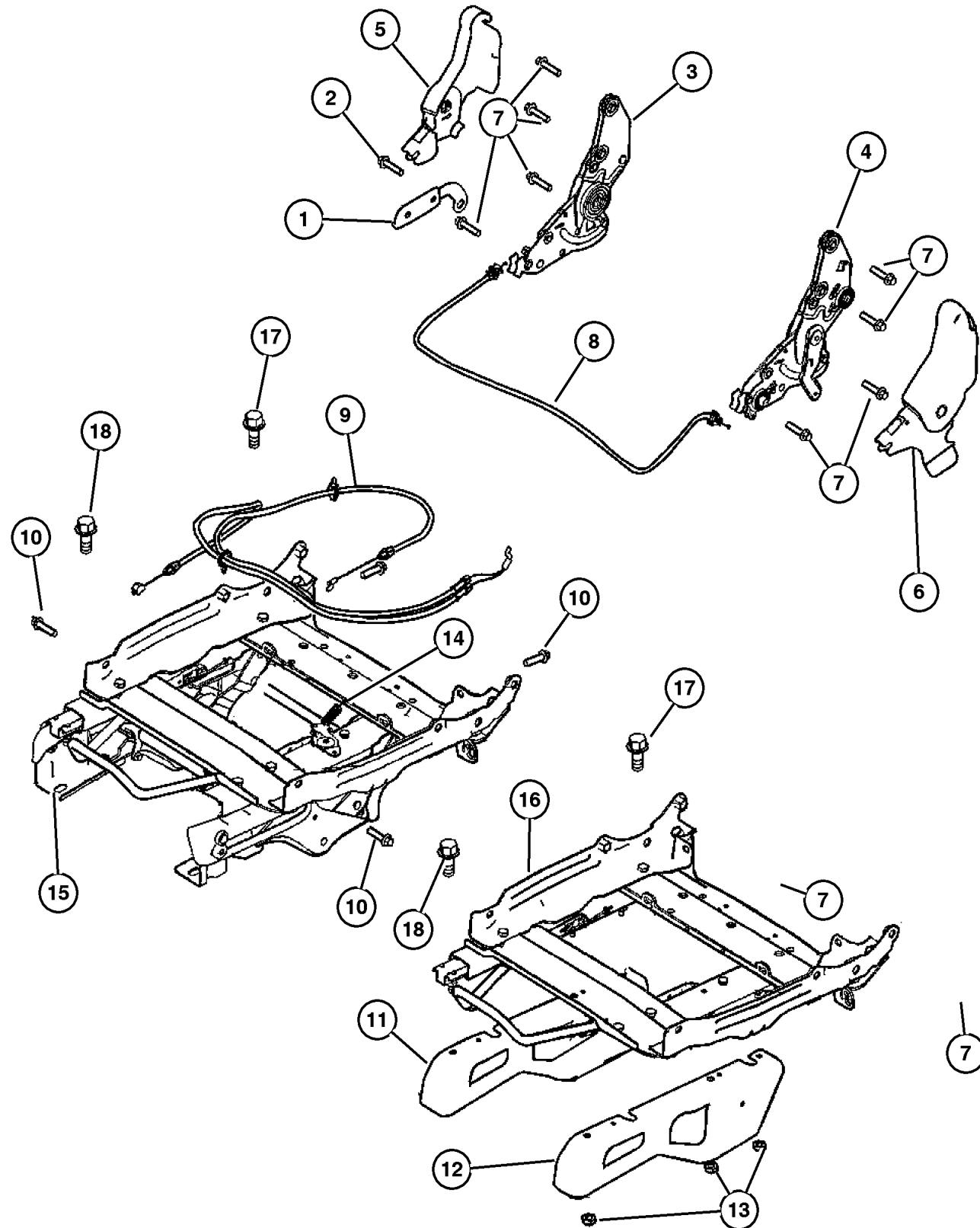
### JEEP WRANGLER (TJ)

| SERIES      | LINE                   | BODY         | ENGINE                | TRANSMISSION                 |
|-------------|------------------------|--------------|-----------------------|------------------------------|
| H = Sport   | J = Wrangler 4WD       | 77 = 93.4 WB | ED1, ED0 = 2.4L DOHC  | DGG, DGD = 32RH 3 Spd. Auto. |
| L = SE      | U = Wrangler 4WD (RHD) |              | ERH = 4.0L Power Tech | DDD = 5 Speed HD Manual      |
| M = X       |                        |              |                       | DG0 = Auto. Trans.           |
| P = Sahara  |                        |              |                       | DBB = Manual Trans.          |
| S = Rubicon |                        |              |                       | DDK = 5 Speed Manual         |

AR = Use as required - = Non illustrated part # = New this model year

August 27, 2004

## Seat Assemblies, Adjusters, Recliners Figure ITJ-810



| ITEM | PART NUMBER | QTY | LINE | SERIES | BODY | ENGINE | TRANS | TRIM | DESCRIPTION |
|------|-------------|-----|------|--------|------|--------|-------|------|-------------|
|------|-------------|-----|------|--------|------|--------|-------|------|-------------|

Note: If a seat that just dumps it has one cable and uses 05093677AA.

If a seat dumps & slides it has two cables and uses 05093678AA.

|            |            |   |   |    |        |  |    |                 |                        |                                   |
|------------|------------|---|---|----|--------|--|----|-----------------|------------------------|-----------------------------------|
| 1          | 5093 571AA | 1 | U |    | 77     |  |    | H6              | Left                   | HANDLE, Recliner                  |
|            |            | 1 | J |    | 77     |  |    | H6              | Left                   |                                   |
|            | 5093 570AA | 1 | J |    | 77     |  |    | H6              | Right                  |                                   |
|            |            | 1 | U |    | 77     |  |    | H6              | Right                  |                                   |
|            | 5093 571AA | 1 | U |    | 77     |  |    | P5              | Left                   |                                   |
|            |            | 1 | J |    | 77, 78 |  |    | P5              | Left                   |                                   |
|            | 5093 570AA | 1 | U |    | 77     |  |    | P5              | Right                  |                                   |
|            |            | 1 | J |    | 77, 78 |  |    | P5              | Right                  |                                   |
|            | 5093 571AA | 1 | J |    | 77     |  |    | Q5              | Left                   |                                   |
|            |            | 1 | J |    | 77     |  |    | Q5              | Right                  |                                   |
|            |            | 1 | J |    | 78     |  |    | S5              | Right                  |                                   |
|            |            | 1 | J |    | 77     |  |    | S5              | Right                  |                                   |
|            | 5093 571AA | 1 | U |    | 77     |  |    | S5              | Right                  |                                   |
|            |            | 1 | J |    | 77     |  |    | S5              | Left                   |                                   |
|            | 1          | U |   | 77 |        |  | S5 | Left            |                        |                                   |
|            | 1          | J |   | 78 |        |  | S5 | Left            |                        |                                   |
| 2          | 5096 184AA | 2 | J |    | 77     |  |    | H6              | SCREW, Recliner Handle |                                   |
|            |            | 2 | U |    | 77     |  |    | H6              |                        |                                   |
|            |            | 2 | J |    | 77, 78 |  |    | P5              |                        |                                   |
|            |            | 2 | U |    | 77     |  |    | P5              |                        |                                   |
|            |            | 2 | J |    | 77     |  |    | Q5              |                        |                                   |
|            |            | 2 | J |    | 78     |  |    | S5              |                        |                                   |
| 3          | 5093 578AA | 1 | J |    | 77     |  |    | H6              | RECLINER, Seat Back    |                                   |
|            |            | 1 | U |    | 77     |  |    | H6              |                        |                                   |
|            |            | 1 | J |    | 77     |  |    | H6              |                        |                                   |
|            | 5093 584AA | 1 | J |    | 77     |  |    | H6              |                        | Fixed Seat, Left, Inboard         |
|            |            | 1 | U |    | 77     |  |    | H6              |                        |                                   |
|            |            | 1 | J |    | 77     |  |    | H6              |                        |                                   |
|            | 5093 580AA | 1 | J |    | 77     |  |    | H6              |                        | Export, Easy Entry, Left, Inboard |
|            |            | 1 | U |    | 77     |  |    | H6              |                        |                                   |
|            |            | 1 | J |    | 77     |  |    | H6              |                        |                                   |
|            | 5093 578AA | 1 | J |    | 77, 78 |  |    | P5              |                        | Right, Outboard                   |
|            |            | 1 | U |    | 77     |  |    | P5              |                        |                                   |
|            |            | 1 | J |    | 77, 78 |  |    | P5              |                        |                                   |
| 5093 578AA | 1          | J |   | 77 |        |  | Q5 | Right, Outboard |                        |                                   |
|            | 1          | J |   | 78 |        |  | S5 |                 |                        |                                   |
|            | 1          | U |   | 77 |        |  | S5 |                 |                        |                                   |
| 5093 578AA | 1          | J |   | 77 |        |  | S5 | Right, Outboard |                        |                                   |
|            | 1          | J |   | 77 |        |  | S5 |                 |                        |                                   |
|            | 1          | J |   | 77 |        |  | S5 |                 |                        |                                   |

### JEEP WRANGLER (TJ)

#### SERIES

H = Sport

L = SE

M = X

P = Sahara

S = Rubicon

#### LINE

J = Wrangler 4WD

U = Wrangler 4WD (RHD)

#### BODY

77 = 93.4 WB

#### ENGINE

ED1, ED0 = 2.4L DOHC

ERH = 4.0L Power Tech

#### TRANSMISSION

DGG, DGD = 32RH 3 Spd.

Auto.

DDD = 5 Speed HD Manual

DG0 = Auto. Trans.

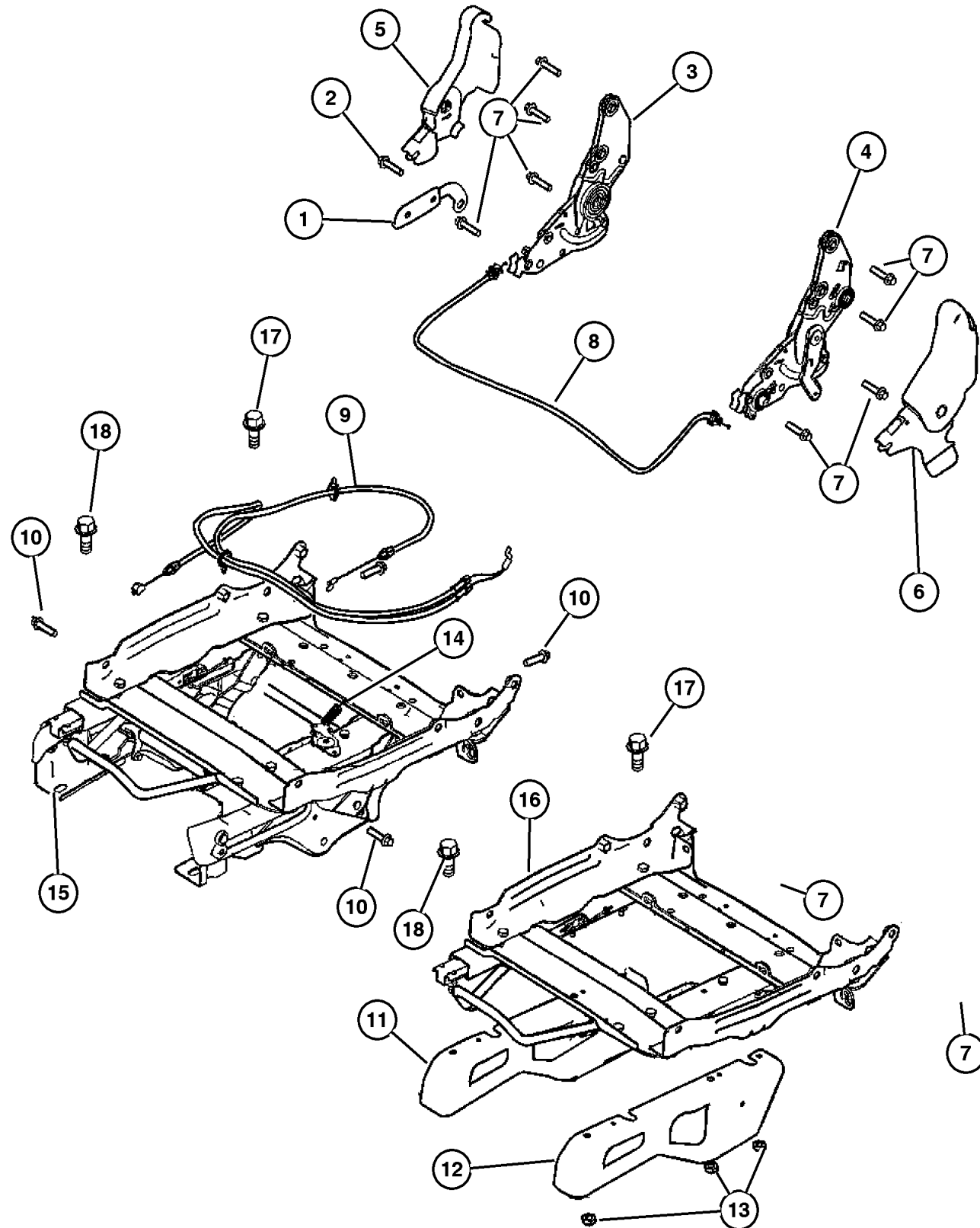
DBB = Manual Trans.

DDK = 5 Speed Manual

AR = Use as required - = Non illustrated part # = New this model year

August 27, 2004

**Seat Assemblies, Adjusters, Recliners**  
**Figure ITJ-810**



| ITEM | PART NUMBER | QTY | LINE | SERIES | BODY   | ENGINE | TRANS | TRIM | DESCRIPTION                       |
|------|-------------|-----|------|--------|--------|--------|-------|------|-----------------------------------|
| 4    | 5093 580AA  | 1   | J    |        | 78     |        |       | S5   | Export, Easy Entry, Left,Inboard  |
|      |             | 1   | J    |        | 77     |        |       | S5   | Export, Easy Entry, Left,Inboard  |
|      |             | 1   | U    |        | 77     |        |       | S5   | Export, Easy Entry, Left,Inboard  |
|      | 5093 585AA  | 1   | J    |        | 77     |        |       | H6   | Fixed Seat, Left,Outboard         |
|      | 5093 581AA  | 1   | U    |        | 77     |        |       | H6   | Export, Easy Entry, Left,Outboard |
|      |             | 1   | J    |        | 77     |        |       | H6   | Export, Easy Entry, Left,Outboard |
|      | 5093 579AA  | 1   | U    |        | 77     |        |       | H6   | Right,Inboard                     |
|      |             | 1   | J    |        | 77     |        |       | H6   | Right,Inboard                     |
|      |             | 1   | U    |        | 77     |        |       | P5   | Right,Inboard                     |
|      |             | 1   | J    |        | 77, 78 |        |       | P5   | Right,Inboard                     |
| 5    | 5093 581AA  | 1   | U    |        | 77     |        |       | P5   | Export, Easy Entry, Left,Outboard |
|      |             | 1   | J    |        | 77, 78 |        |       | P5   | Left,Outboard                     |
|      | 5093 579AA  | 1   | J    |        | 77     |        |       | Q5   | Right,Inboard                     |
|      | 5093 581AA  | 1   | J    |        | 77     |        |       | Q5   | Left,Outboard                     |
|      |             | 1   | J    |        | 78     |        |       | S5   | Left,Outboard                     |
|      |             | 1   | J    |        | 77     |        |       | S5   | Left,Outboard                     |
|      | 5093 579AA  | 1   | U    |        | 77     |        |       | S5   | Left,Outboard                     |
|      |             | 1   | J    |        | 78     |        |       | S5   | Right,Inboard                     |
|      |             | 1   | J    |        | 77     |        |       | S5   | Right,Inboard                     |
|      |             | 1   | U    |        | 77     |        |       | S5   | Right,Inboard                     |
| 6    |             |     |      |        |        |        |       |      | COVER, Recliner                   |
|      | 5093 591AA  | 1   | U    |        | 77     |        |       | H6   | Left,Outboard                     |
|      |             | 1   | J    |        | 77     |        |       | H6   | Left,Outboard                     |
|      | 5093 588AA  | 1   | J    |        | 77     |        |       | H6   | Right,Outboard                    |
|      |             | 1   | U    |        | 77     |        |       | H6   | Right,Outboard                    |
|      | 5093 591AA  | 1   | J    |        | 77, 78 |        |       | P5   | Left,Outboard                     |
|      |             | 1   | U    |        | 77     |        |       | P5   | Left,Outboard                     |
|      | 5093 588AA  | 1   | U    |        | 77     |        |       | P5   | Right,Outboard                    |
|      |             | 1   | J    |        | 77, 78 |        |       | P5   | Right,Outboard                    |
|      |             | 1   | J    |        | 77     |        |       | Q5   | Left,Outboard                     |
| 7    | 5093 588AA  | 1   | J    |        | 77     |        |       | Q5   | Right,Outboard                    |
|      | 5093 591AA  | 1   | J    |        | 77     |        |       | S5   | Left,Outboard                     |
|      | 5093 588AA  | 1   | J    |        | 77     |        |       | S5   | Right,Outboard                    |
|      |             | 1   | U    |        | 77     |        |       | S5   | Right,Outboard                    |
|      |             | 1   | J    |        | 78     |        |       | S5   | Right,Outboard                    |
|      | 5093 591AA  | 1   | J    |        | 78     |        |       | S5   | Left,Outboard                     |
|      |             | 1   | U    |        | 77     |        |       | S5   | Left,Outboard                     |
|      |             |     |      |        |        |        |       |      | COVER, Recliner                   |
|      | 5093 590AA  | 1   | U    |        | 77     |        |       | H6   | Left,Inboard                      |
|      |             | 1   | J    |        | 77     |        |       | H6   | Left,Inboard                      |

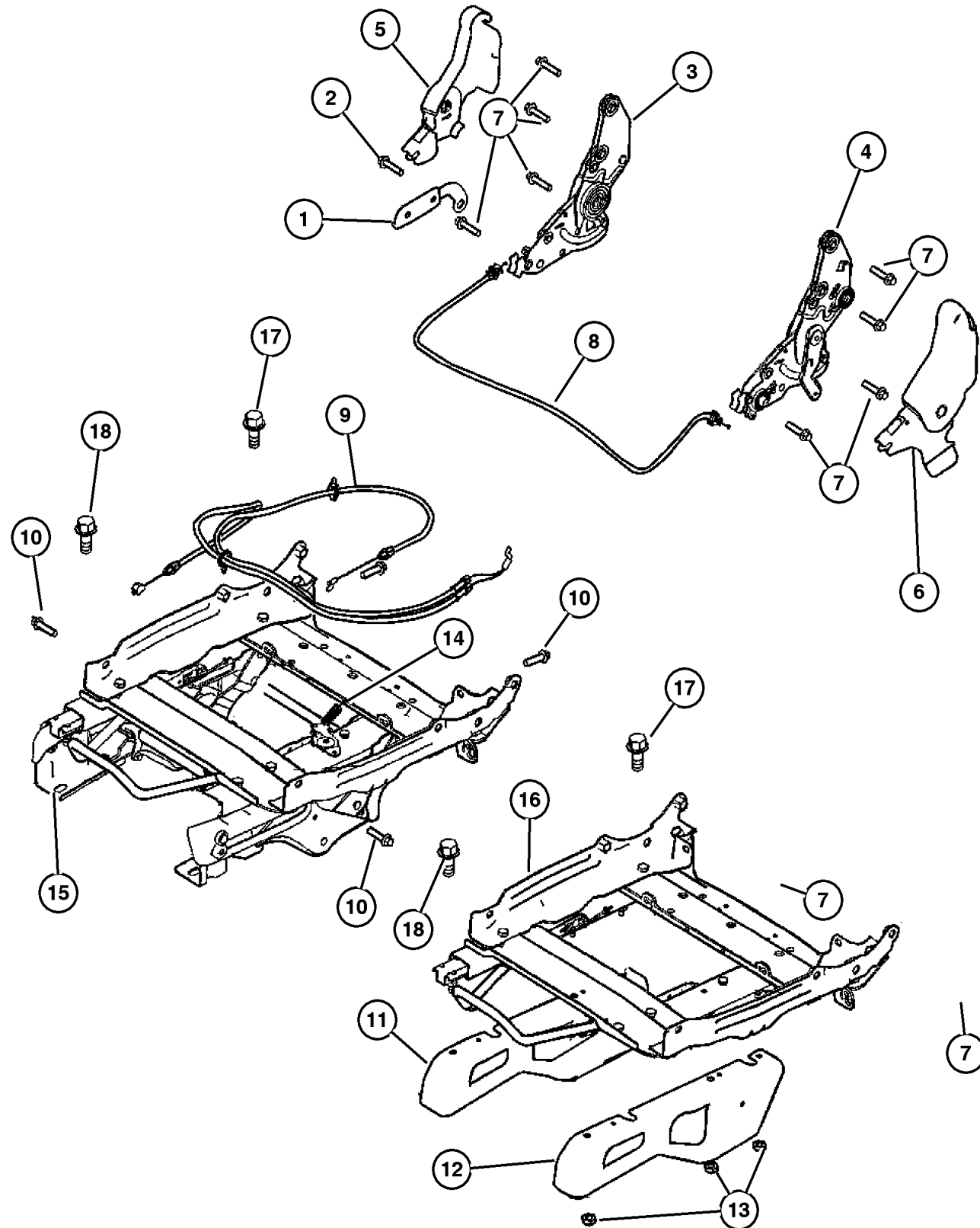
**JEEP WRANGLER (TJ)**

|               |                        |              |                       |                              |
|---------------|------------------------|--------------|-----------------------|------------------------------|
| <b>SERIES</b> | <b>LINE</b>            | <b>BODY</b>  | <b>ENGINE</b>         | <b>TRANSMISSION</b>          |
| H = Sport     | J = Wrangler 4WD       | 77 = 93.4 WB | ED1, ED0 = 2.4L DOHC  | DGG, DGD = 32RH 3 Spd. Auto. |
| L = SE        | U = Wrangler 4WD (RHD) |              | ERH = 4.0L Power Tech | DDD = 5 Speed HD Manual      |
| M = X         |                        |              |                       | DG0 = Auto. Trans.           |
| P = Sahara    |                        |              |                       | DBB = Manual Trans.          |
| S = Rubicon   |                        |              |                       | DDK = 5 Speed Manual         |

AR = Use as required - = Non illustrated part # = New this model year

August 27, 2004

**Seat Assemblies, Adjusters, Recliners**  
**Figure ITJ-810**



| ITEM | PART NUMBER | QTY | LINE | SERIES | BODY   | ENGINE | TRANS | TRIM | DESCRIPTION                    |
|------|-------------|-----|------|--------|--------|--------|-------|------|--------------------------------|
|      | 5093 589AA  | 1   | U    |        | 77     |        |       | H6   | Right, Inboard                 |
|      |             | 1   | J    |        | 77     |        |       | H6   | Right, Inboard                 |
|      |             | 1   | U    |        | 77     |        |       | P5   | Right, Inboard                 |
|      |             | 1   | J    |        | 77, 78 |        |       | P5   | Right, Inboard                 |
|      | 5093 590AA  | 1   | U    |        | 77     |        |       | P5   | Left, Inboard                  |
|      |             | 1   | J    |        | 77, 78 |        |       | P5   | Left, Inboard                  |
|      |             | 1   | J    |        | 77     |        |       | Q5   | Left, Inboard                  |
|      | 5093 589AA  | 1   | J    |        | 77     |        |       | Q5   | Right, Inboard                 |
|      | 5093 590AA  | 1   | U    |        | 77     |        |       | S5   | Left, Inboard                  |
|      |             | 1   | J    |        | 77     |        |       | S5   | Left, Inboard                  |
|      |             | 1   | J    |        | 78     |        |       | S5   | Left, Inboard                  |
|      | 5093 589AA  | 1   | J    |        | 78     |        |       | S5   | Right, Inboard                 |
|      |             | 1   | J    |        | 77     |        |       | S5   | Right, Inboard                 |
|      |             | 1   | U    |        | 77     |        |       | S5   | Right, Inboard                 |
| 7    |             |     |      |        |        |        |       |      | BOLT, Recliner                 |
|      | 5093 647AA  | 8   | J    |        | 77     |        |       | H6   |                                |
|      |             | 8   | U    |        | 77     |        |       | H6   |                                |
|      |             | 8   | J    |        | 77, 78 |        |       | P5   |                                |
|      |             | 8   | U    |        | 77     |        |       | P5   |                                |
|      |             | 8   | J    |        | 77     |        |       | Q5   |                                |
|      |             | 8   | J    |        | 78     |        |       | S5   |                                |
|      |             | 8   | U    |        | 77     |        |       | S5   |                                |
|      |             | 8   | J    |        | 77     |        |       | S5   |                                |
| 8    |             |     |      |        |        |        |       |      | CABLE, Recliner                |
|      | 5093 676AA  | 2   | J    |        | 77     |        |       | H6   |                                |
|      |             | 2   | U    |        | 77     |        |       | H6   |                                |
|      |             | 1   | U    |        | 77     |        |       | P5   |                                |
|      |             | 2   | J    |        | 77, 78 |        |       | P5   |                                |
|      |             | 1   | J    |        | 77     |        |       | Q5   |                                |
|      |             | 1   | U    |        | 77     |        |       | S5   |                                |
|      |             | 1   | J    |        | 77     |        |       | S5   |                                |
|      |             | 1   | J    |        | 78     |        |       | S5   |                                |
| 9    |             |     |      |        |        |        |       |      | CABLE, Seat Adjuster, SEE NOTE |
|      | 5093 677AA  | 1   | U    |        | 77     |        |       | H6   | Slide Only                     |
|      |             | 1   | J    |        | 77     |        |       | H6   | Slide Only                     |
|      | 5093 678AA  | 1   | J    |        | 77     |        |       | H6   | Dump & Slide                   |
|      |             | 1   | U    |        | 77     |        |       | H6   | Dump & Slide                   |
|      |             | 1   | U    |        | 77     |        |       | P5   | Dump & Slide                   |
|      |             | 1   | J    |        | 77, 78 |        |       | P5   | Dump & Slide                   |
|      | 5093 677AA  | 1   | U    |        | 77     |        |       | P5   | Slide Only                     |
|      |             | 1   | J    |        | 77, 78 |        |       | P5   | Slide Only                     |

**JEEP WRANGLER (TJ)**

SERIES  
H = Sport  
L = SE  
M = X  
P = Sahara  
S = Rubicon

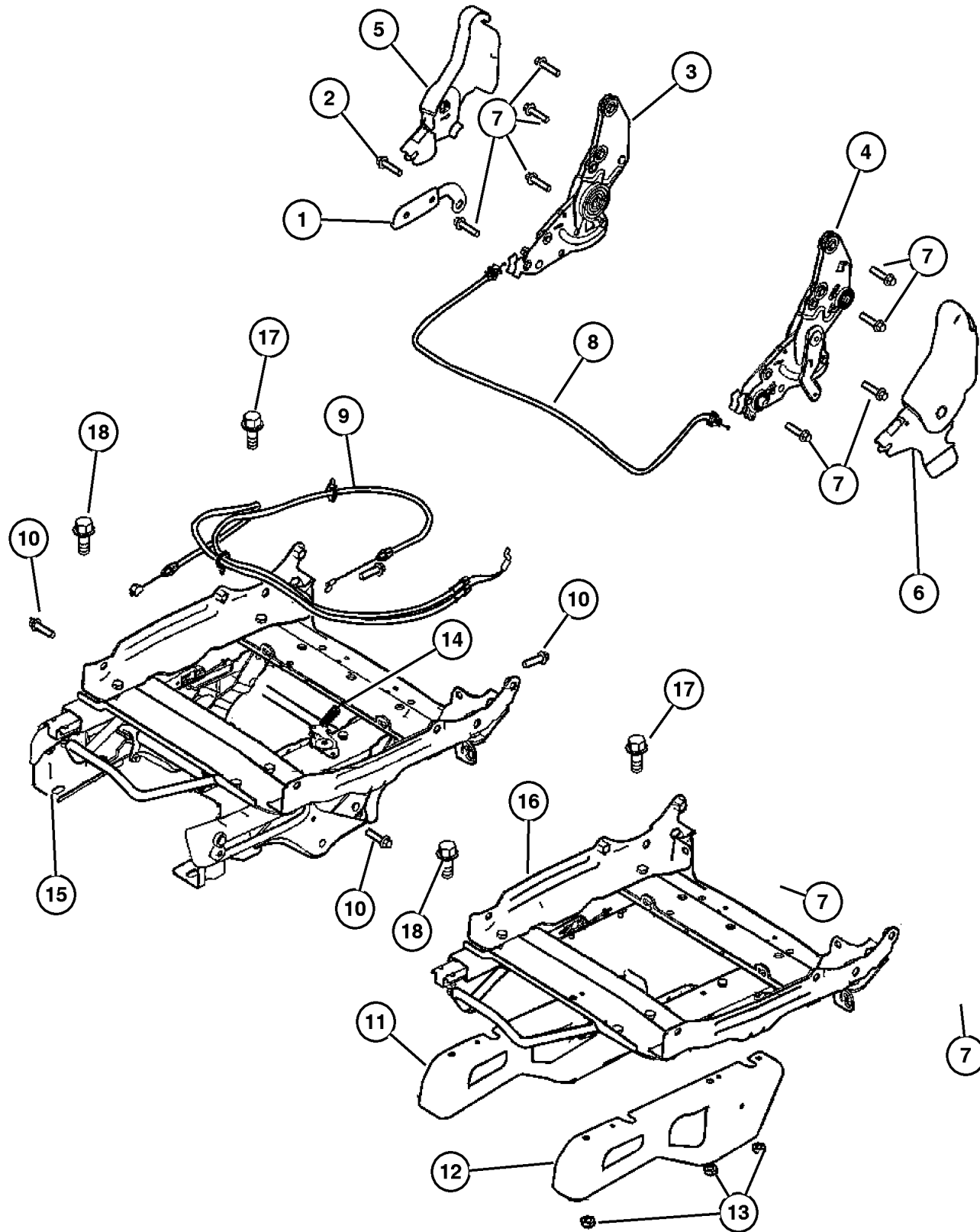
LINE  
J = Wrangler 4WD  
U = Wrangler 4WD (RHD)

BODY  
77 = 93.4 WB

ENGINE  
ED1, ED0 = 2.4L DOHC  
ERH = 4.0L Power Tech

TRANSMISSION  
DGG, DGD = 32RH 3 Spd. Auto.  
DDD = 5 Speed HD Manual  
DGO = Auto. Trans.  
DBB = Manual Trans.  
DDK = 5 Speed Manual

**Seat Assemblies, Adjusters, Recliners**  
**Figure ITJ-810**



| ITEM | PART NUMBER | QTY | LINE | SERIES | BODY   | ENGINE | TRANS | TRIM | DESCRIPTION                            |
|------|-------------|-----|------|--------|--------|--------|-------|------|--|
|      |             | 1   | J    |        | 77     |        |       | Q5   | Slide Only                             |
|      | 5093 678AA  | 1   | J    |        | 77     |        |       | Q5   | Dump & Slide                           |
|      | 5093 677AA  | 1   | J    |        | 78     |        |       | S5   | Slide Only                             |
|      |             | 1   | J    |        | 77     |        |       | S5   | Slide Only                             |
|      |             | 1   | U    |        | 77     |        |       | S5   | Slide Only                             |
|      | 5093 678AA  | 1   | U    |        | 77     |        |       | S5   | Dump & Slide                           |
|      |             | 1   | J    |        | 78     |        |       | S5   | Dump & Slide                           |
|      |             | 1   | J    |        | 77     |        |       | S5   |  |
| 10   |             |     |      |        |        |        |       |      | BOLT, Seat, To Cushion                 |
|      | 4720 768    | 8   | J    |        | 77     |        |       | H6   |  |
|      |             | 8   | U    |        | 77     |        |       | H6   |  |
|      |             | 8   | J    |        | 77, 78 |        |       | P5   |  |
|      |             | 8   | U    |        | 77     |        |       | P5   |  |
|      |             | 8   | J    |        | 77     |        |       | Q5   |  |
|      |             | 8   | J    |        | 78     |        |       | S5   |  |
|      |             | 8   | U    |        | 77     |        |       | S5   |  |
|      |             | 8   | J    |        | 77     |        |       | S5   |  |
| 11   | 5093 655AA  | 1   | J    |        | 77     |        |       | H6   | RISER, Seat, Left,Outboard             |
| 12   | 5093 654AA  | 1   | J    |        | 77     |        |       | H6   | RISER, Seat, Left,Inboard              |
| 13   |             |     |      |        |        |        |       |      | NUT, Hex                               |
|      | 5019 267AA  | 8   | J    |        | 77     |        |       | H6   |  |
|      |             | 8   | U    |        | 77     |        |       | H6   |  |
|      |             | 8   | U    |        | 77     |        |       | P5   |  |
|      |             | 8   | J    |        | 77, 78 |        |       | P5   |  |
|      |             | 8   | J    |        | 77     |        |       | Q5   |  |
|      |             | 8   | U    |        | 77     |        |       | S5   |  |
|      |             | 8   | J    |        | 78     |        |       | S5   |  |
|      |             | 8   | J    |        | 77     |        |       | S5   |  |
| 14   |             |     |      |        |        |        |       |      | SPRING, Seat Lever Return, Short       |
|      | 5093 679AA  | 1   | U    |        | 77     |        |       | H6   |  |
|      |             | 1   | J    |        | 77     |        |       | H6   |  |
|      |             | 1   | U    |        | 77     |        |       | P5   |  |
|      |             | 1   | J    |        | 77, 78 |        |       | P5   |  |
|      |             | 1   | J    |        | 77     |        |       | Q5   |  |
|      |             | 2   | J    |        | 78     |        |       | S5   |  |
|      |             | 2   | U    |        | 77     |        |       | S5   |  |
|      |             | 2   | J    |        | 77     |        |       | S5   |  |
| 15   |             |     |      |        |        |        |       |      | ADJUSTER, Manual Seat, Includes Risers |
|      | 5093 674AA  | 1   | J    |        | 77     |        |       | H6   | Export,Right                           |
|      | 5093 664AA  | 1   | J    |        | 77     |        |       | H6   | Domestic, Right                        |

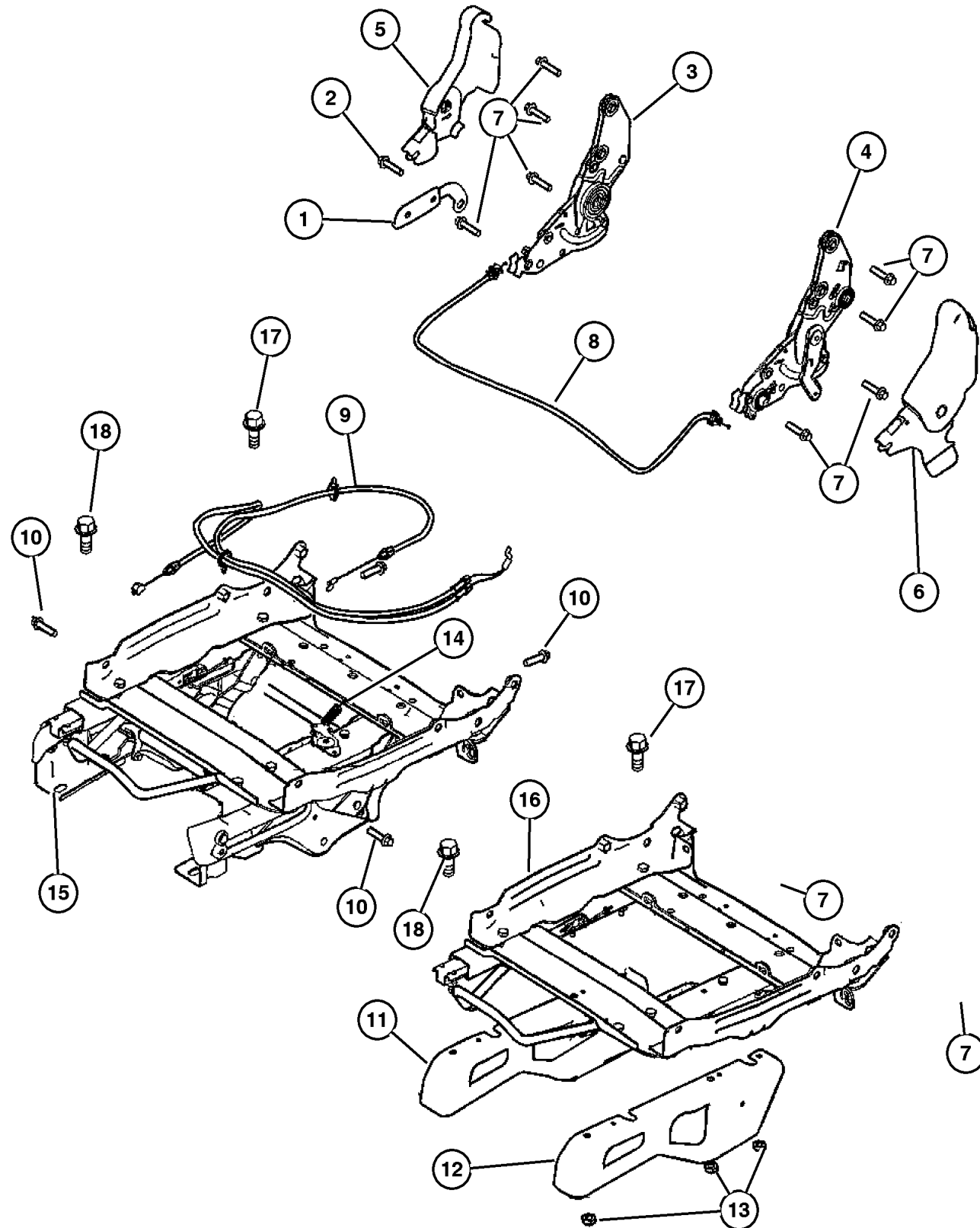
**JEEP WRANGLER (TJ)**

|             |                        |              |                       |                              |
|-------------|------------------------|--------------|-----------------------|------------------------------|
| SERIES      | LINE                   | BODY         | ENGINE                | TRANSMISSION                 |
| H = Sport   | J = Wrangler 4WD       | 77 = 93.4 WB | ED1, ED0 = 2.4L DOHC  | DGG, DGD = 32RH 3 Spd. Auto. |
| L = SE      | U = Wrangler 4WD (RHD) |              | ERH = 4.0L Power Tech | DDD = 5 Speed HD Manual      |
| M = X       |                        |              |                       | DG0 = Auto. Trans.           |
| P = Sahara  |                        |              |                       | DBB = Manual Trans.          |
| S = Rubicon |                        |              |                       | DDK = 5 Speed Manual         |

AR = Use as required - = Non illustrated part # = New this model year

August 27, 2004

**Seat Assemblies, Adjusters, Recliners**  
**Figure ITJ-810**



| ITEM | PART NUMBER | QTY | LINE | SERIES | BODY   | ENGINE | TRANS | TRIM | DESCRIPTION   |
|------|-------------|-----|------|--------|--------|--------|-------|------|---|
|      | 5093 674AA  | 1   | J    |        | 77     |        |       | P5   | Export,Right  |
|      |             | 1   | U    |        | 77     |        |       | P5   | Export,Right  |
|      | 5104 691AA  | 1   | U    |        | 77     |        |       | P5   | Postal Vehicle, Left                                    |
|      | 5093 664AA  | 1   | J    |        | 77, 78 |        |       | P5   | Domestic, Right   |
|      |             | 1   | J    |        | 77     |        |       | Q5   |   |
|      | 5093 674AA  | 1   | J    |        | 77     |        |       | S5   | Export,Right  |
|      |             | 1   | U    |        | 77     |        |       | S5   | Export,Right  |
|      | 5093 664AA  | 1   | J    |        | 78     |        |       | S5   |   |
| 16   |             |     |      |        |        |        |       |      | ADJUSTER, Manual Seat, Without Easy Entry               |
|      | 5093 675AA  | 1   | U    |        | 77     |        |       | H6   | Export,Left   |
|      |             | 1   | J    |        | 77     |        |       | H6   | Export,Left   |
|      | 5093 665AA  | 1   | J    |        | 77     |        |       | H6   | Domestic, Left  |
|      | 5093 675AA  | 1   | U    |        | 77     |        |       | P5   | Export,Left   |
|      |             | 1   | J    |        | 77     |        |       | P5   | Export,Left   |
|      |             | 1   | U    |        | 77     |        |       | S5   | Export,Left   |
|      |             | 1   | J    |        | 77     |        |       | S5   | Export,Left   |
| 17   | J400 6832   | 1   |      |        |        |        |       |      | BOLT, Pan Head, .437-20x1.375, Driver seat to Floor Pan |
| 18   | 6500 664    | 6   |      |        |        |        |       |      | SCREW AND WASHER, Hex Head, M8x1.25x35                  |

**JEEP WRANGLER (TJ)**

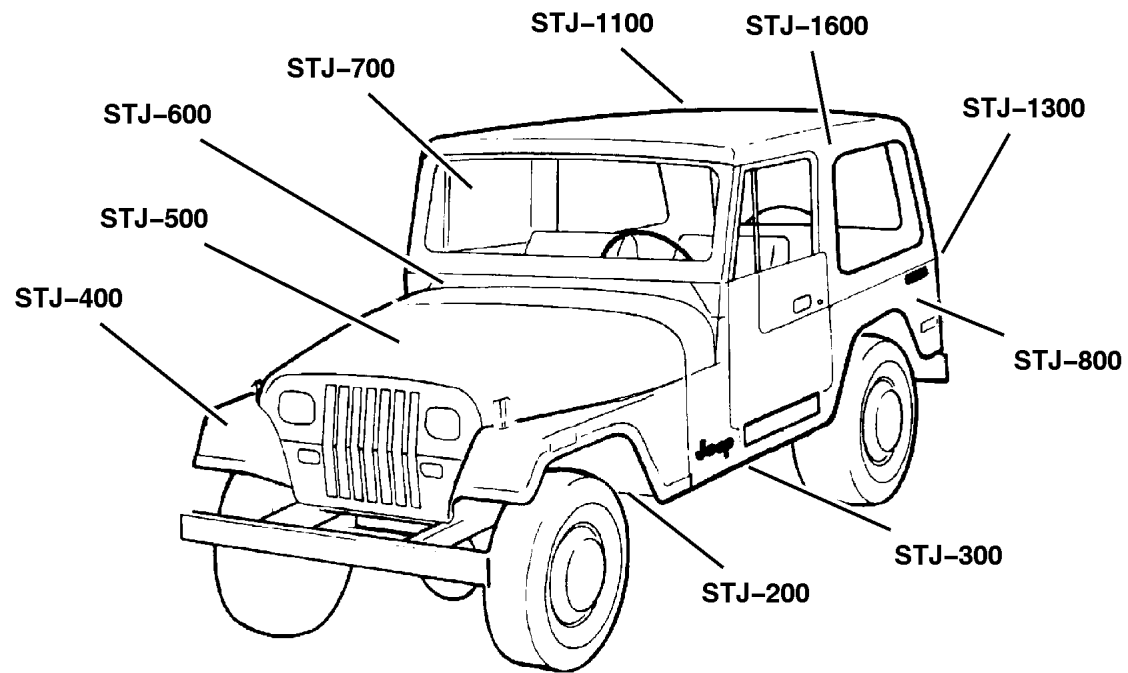
|             |                        |              |                       |                              |
|-------------|------------------------|--------------|-----------------------|------------------------------|
| SERIES      | LINE                   | BODY         | ENGINE                | TRANSMISSION                 |
| H = Sport   | J = Wrangler 4WD       | 77 = 93.4 WB | ED1, ED0 = 2.4L DOHC  | DGG, DGD = 32RH 3 Spd. Auto. |
| L = SE      | U = Wrangler 4WD (RHD) |              | ERH = 4.0L Power Tech | DDD = 5 Speed HD Manual      |
| M = X       |                        |              |                       | DG0 = Auto. Trans.           |
| P = Sahara  |                        |              |                       | DBB = Manual Trans.          |
| S = Rubicon |                        |              |                       | DDK = 5 Speed Manual         |

AR = Use as required - = Non illustrated part # = New this model year

August 27, 2004

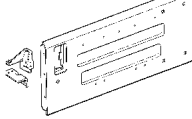
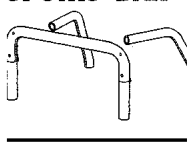
# Group – STJ

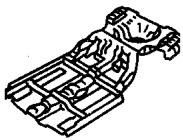

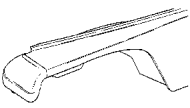

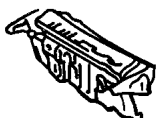

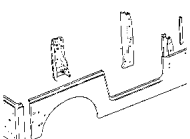
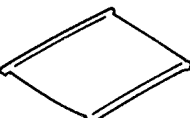
## Body Sheet Metal Except Doors



# Group – STJ

## Body Sheet Metal Except Doors

|   |   |  |  |
|---|---|--|--|
| <p><b>STJ-1300</b><br/>Tailgate</p>  | <p><b>STJ-1600</b><br/>Luggage Rack</p>  |  |  |
|---|---|--|--|

|   |  |   |   |
|---|--|---|---|
| <p><b>STJ-200</b><br/>Floor Pans</p>           | <p><b>STJ-300</b><br/>Plugs</p>                       | <p><b>STJ-400</b><br/>Front Fenders</p>   | <p><b>STJ-500</b><br/>Hood and Hood Release</p>        |
| <p><b>STJ-600</b><br/>Cowl and Dash Panel</p>  | <p><b>STJ-700</b><br/>Glass and Rear View Mirror</p>  | <p><b>STJ-800</b><br/>Aperture Panel</p>  | <p><b>STJ-1100</b><br/>Roof - Hard &amp; Soft Top</p>  |



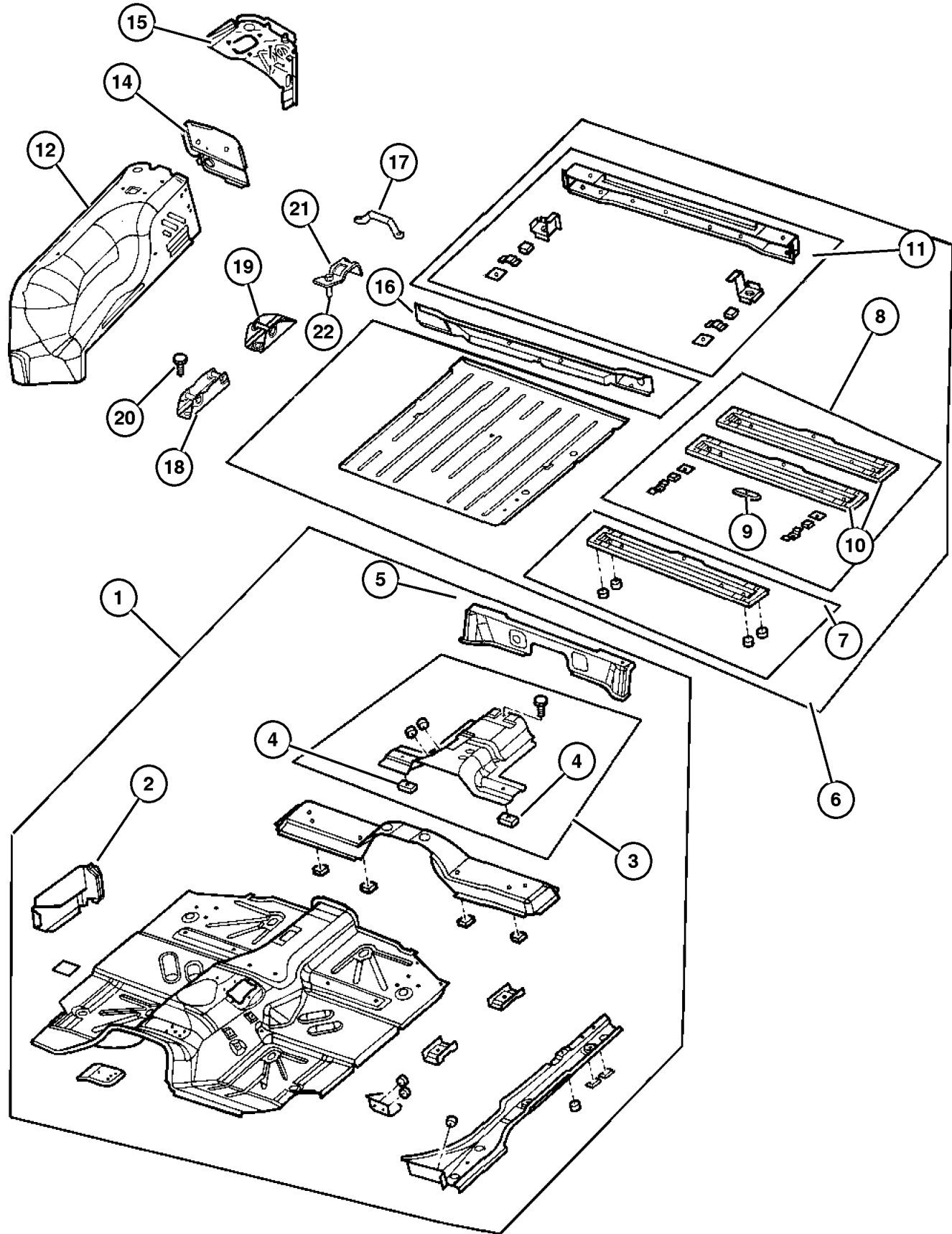
---

## GROUP STJ - Body Sheet Metal Except Doors

| Illustration Title  | Group-Fig. No. |
|---|----------------|
| <b>Floor Pans</b>   |                |
| Pan, Floor Front And Rear, Body Style 77 .....                      | Fig. STJ-210   |
| Pan, Floor Front And Rear, Body Style 78 .....                      | Fig. STJ-220   |
| <b>Plugs</b>  |                |
| Plugs .....   | Fig. STJ-310   |
| <b>Front Fenders</b>  |                |
| Fender And Flare, Front .....                                       | Fig. STJ-410   |
| <b>Hood and Hood Release</b>  |                |
| Hood, Lock, Catches .....   | Fig. STJ-510   |
| <b>Cowl and Dash Panel</b>  |                |
| Panels, Cowl And Dash .....   | Fig. STJ-610   |
| <b>Glass and Rear View Mirror</b>                                   |                |
| Glass, Windshield, Backlite, Quarter Windshield Frame, Hinges ..... | Fig. STJ-710   |
| <b>Aperture Panel</b>   |                |
| Panels, Body Side .....   | Fig. STJ-810   |
| <b>Roof - Hard &amp; Soft Top</b>                                   |                |
| Soft Top And Windows .....  | Fig. STJ-1110  |
| Top Enclosure, Hard .....   | Fig. STJ-1120  |
| <b>Tailgate</b>   |                |
| Tailgate .....  | Fig. STJ-1310  |
| Add-a-Trunk .....   | Fig. STJ-1320  |
| <b>Luggage Rack</b>   |                |
| Sport Bar Wrangler .....  | Fig. STJ-1610  |



Pan, Floor Front And Rear, Body Style 77  
Figure STJ-210



| ITEM | PART NUMBER | QTY | LINE | SERIES | BODY   | ENGINE | TRANS | TRIM | DESCRIPTION                        |
|------|-------------|-----|------|--------|--------|--------|-------|------|------------------------------------|
| 1    | 55395 106AB | 1   |      |        |        |        |       |      | PAN, Floor                         |
| 2    | 55174 828AD | 1   |      |        |        |        |       |      | PANEL, Cowl Side Right             |
|      | 55174 829AC | 1   |      |        |        |        |       |      | Left                               |
| 3    | 55175 209AC | 1   |      |        |        |        |       |      | REINFORCEMENT, Park Brake Mounting |
| 4    | 6033 150    | 2   |      |        |        |        |       |      | NUT PLATE, .25-20                  |
| 5    | 55174 809AB | 1   |      |        |        |        |       |      | RISER, Seat                        |
| 6    | 55174 811AI | 1   |      |        | 77     |        |       |      | PAN, Floor                         |
| 7    | 55176 240AC | 1   |      |        | 77     |        |       |      | CROSSMEMBER, Seat Belt Mount       |
| 8    | 55176 241AB | 1   |      |        | 77     |        |       |      | CROSSMEMBER, Underbody             |
| 9    | 4490 835AB  | 1   |      |        | 77     |        |       |      | REINFORCEMENT, Shoulder Belt       |
| 10   | 55395 069AB | 1   |      |        | 77     |        |       |      | CROSSMEMBER, Rear Floor            |
| 11   | 55175 788AD | 1   |      |        | 77     |        |       |      | SILL, Rear                         |
| 12   | 5161 478AA  | 1   |      |        | 77     |        |       |      | PANEL, Wheelhouse Right            |
|      | 5161 479AA  | 1   |      |        | 77     |        |       |      | Left                               |
| -13  | 4490 111    | 1   |      |        | 77     |        |       |      | TAPPING PLATE                      |
| 14   | 55176 527AC | 1   |      |        | 77     |        |       |      | PANEL, Rear Closure Left           |
|      | 55236 048AA | 1   |      |        | 77     |        |       |      | Right                              |
| 15   | 55175 064AC | 1   |      |        | 77     |        |       |      | REINFORCEMENT, Wheelhouse Right    |
|      | 55175 065AC | 1   |      |        | 77     |        |       |      | Left                               |
| 16   | 55175 790AD | 1   |      |        | 77, 78 |        |       |      | PANEL, Rear Body Closing           |
| 17   | 5501 3668   | 8   |      |        |        |        |       |      | CHECK, Front Door                  |
| 18   | 55395 011AA | 2   |      |        | 77     |        |       |      | STRIKER, Rear Seat, Front          |
| 19   | 55395 010AA | 2   |      |        | 77     |        |       |      | STRIKER, Rear Seat, Rear           |
| 20   | 6507 346AA  | 8   |      |        | 77     |        |       |      | SCREW, Pan Head                    |
| 21   | 5066 347AA  | 2   |      |        | 77, 78 |        |       |      | TETHER PACKAGE, Child Seat         |
| 22   | 6506 481AA  | 2   |      |        | 77, 78 |        |       |      | BOLT, Hex Head, M8x1.25x30         |

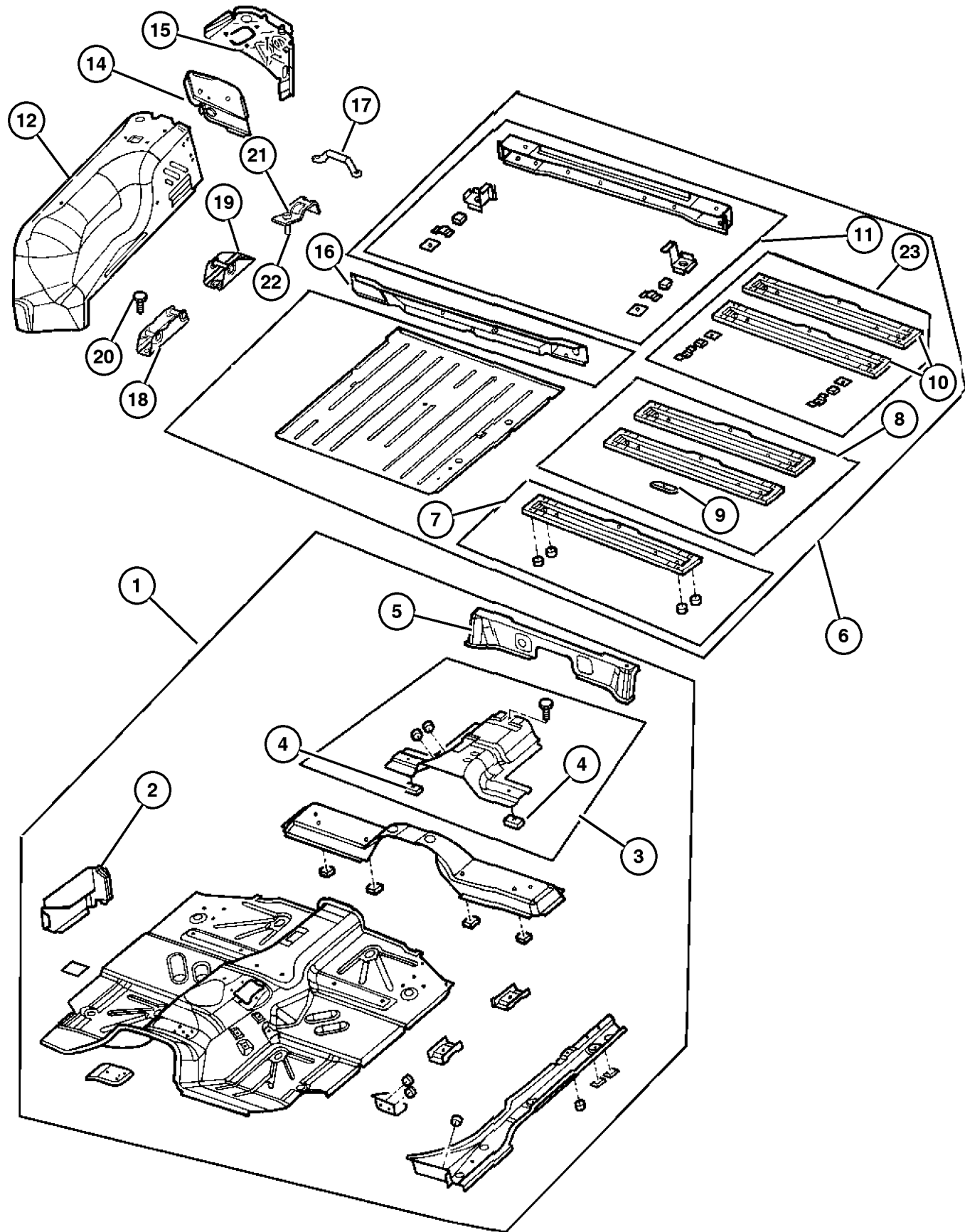
JEEP WRANGLER (TJ)

|             |                        |              |                       |                              |
|-------------|------------------------|--------------|-----------------------|------------------------------|
| SERIES      | LINE                   | BODY         | ENGINE                | TRANSMISSION                 |
| H = Sport   | J = Wrangler 4WD       | 77 = 93.4 WB | ED1, ED0 = 2.4L DOHC  | DGG, DGD = 32RH 3 Spd. Auto. |
| L = SE      | U = Wrangler 4WD (RHD) |              | ERH = 4.0L Power Tech | DDD = 5 Speed HD Manual      |
| M = X       |                        |              |                       | DG0 = Auto. Trans.           |
| P = Sahara  |                        |              |                       | DBB = Manual Trans.          |
| S = Rubicon |                        |              |                       | DDK = 5 Speed Manual         |

AR = Use as required - = Non illustrated part # = New this model year

August 27, 2004

Pan, Floor Front And Rear, Body Style 78  
Figure STJ-220



| ITEM | PART NUMBER | QTY | LINE | SERIES | BODY   | ENGINE | TRANS | TRIM | DESCRIPTION                                       |
|------|-------------|-----|------|--------|--------|--------|-------|------|---|
| 1    | 55395 106AB | 1   |      |        |        |        |       |      | PAN, Floor  |
| 2    | 55174 828AD | 1   |      |        |        |        |       |      | PANEL, Cowl Side Right                            |
|      | 55174 829AC | 1   |      |        |        |        |       |      | Left  |
| 3    | 55175 209AC | 1   |      |        |        |        |       |      | REINFORCEMENT, Park Brake Mounting                |
| 4    | 6033 150    | 2   |      |        |        |        |       |      | NUT PLATE, .25-20                                 |
| 5    | 55174 809AB | 1   |      |        |        |        |       |      | RISER, Seat                                       |
| 6    | 56052 412AC | 1   | J    |        | 61, 78 |        |       |      | PAN, Floor  |
| 7    | 55176 240AC | 1   | J    |        | 61, 78 |        |       |      | CROSSMEMBER, Seat Belt Mount                      |
| 8    | 56052 418AB | 1   | J    |        | 61, 78 |        |       |      | CROSSMEMBER, Rear Floor                           |
| 9    | 4490 835AB  | 1   | J    |        | 61, 78 |        |       |      | REINFORCEMENT, Shoulder Belt                      |
| 10   | 55395 069AB | 1   | J    |        | 61, 78 |        |       |      | CROSSMEMBER, Rear Floor                           |
| 11   | 55175 788AD | 1   | J    |        | 61, 78 |        |       |      | SILL, Rear  |
| 12   | 5135 316AB  | 1   | J    |        | 78     |        |       |      | PANEL, Wheelhouse Right                           |
|      | 5135 317AB  | 1   | J    |        | 78     |        |       |      | Left  |
| -13  | 4490 111    | 1   | J    |        | 78     |        |       |      | TAPPING PLATE                                     |
| 14   | 55176 527AC | 1   | J    |        | 78     |        |       |      | PANEL, Rear Closure Left                          |
|      | 55236 048AA | 1   | J    |        | 78     |        |       |      | Right   |
| 15   | 55175 064AD | 1   | J    |        | 78     |        |       |      | REINFORCEMENT, Wheelhouse Right                   |
|      | 55175 065AC | 1   | J    |        | 78     |        |       |      | Left  |
| 16   | 55175 790AD | 1   |      |        | 77, 78 |        |       |      | PANEL, Rear Body Closing                          |
| 17   | 5501 3668   | 8   |      |        |        |        |       |      | CHECK, Front Door                                 |
| 18   |             |     |      |        |        |        |       |      | STRIKER, Rear Seat, (NOT SERVICED) (Not Serviced) |
| 19   |             |     |      |        |        |        |       |      | STRIKER, Rear Seat, (NOT SERVICED) (Not Serviced) |
| 20   | 6507 346AA  | 8   | J    |        | 78     |        |       |      | SCREW, Pan Head                                   |
| 21   | 5066 347AA  | 2   |      |        | 77, 78 |        |       |      | TETHER PACKAGE, Child Seat                        |
| 22   | 6506 481AA  | 2   |      |        | 77, 78 |        |       |      | BOLT, Hex Head, M8x1.25x30                        |
| 23   | 56052 413AB | 1   | J    |        | 61, 78 |        |       |      | CROSSMEMBER, Rear Floor                           |

JEEP WRANGLER (TJ)

SERIES  
H = Sport  
L = SE  
M = X  
P = Sahara  
S = Rubicon

LINE  
J = Wrangler 4WD  
U = Wrangler 4WD (RHD)

BODY  
77 = 93.4 WB

ENGINE  
ED1, ED0 = 2.4L DOHC  
ERH = 4.0L Power Tech

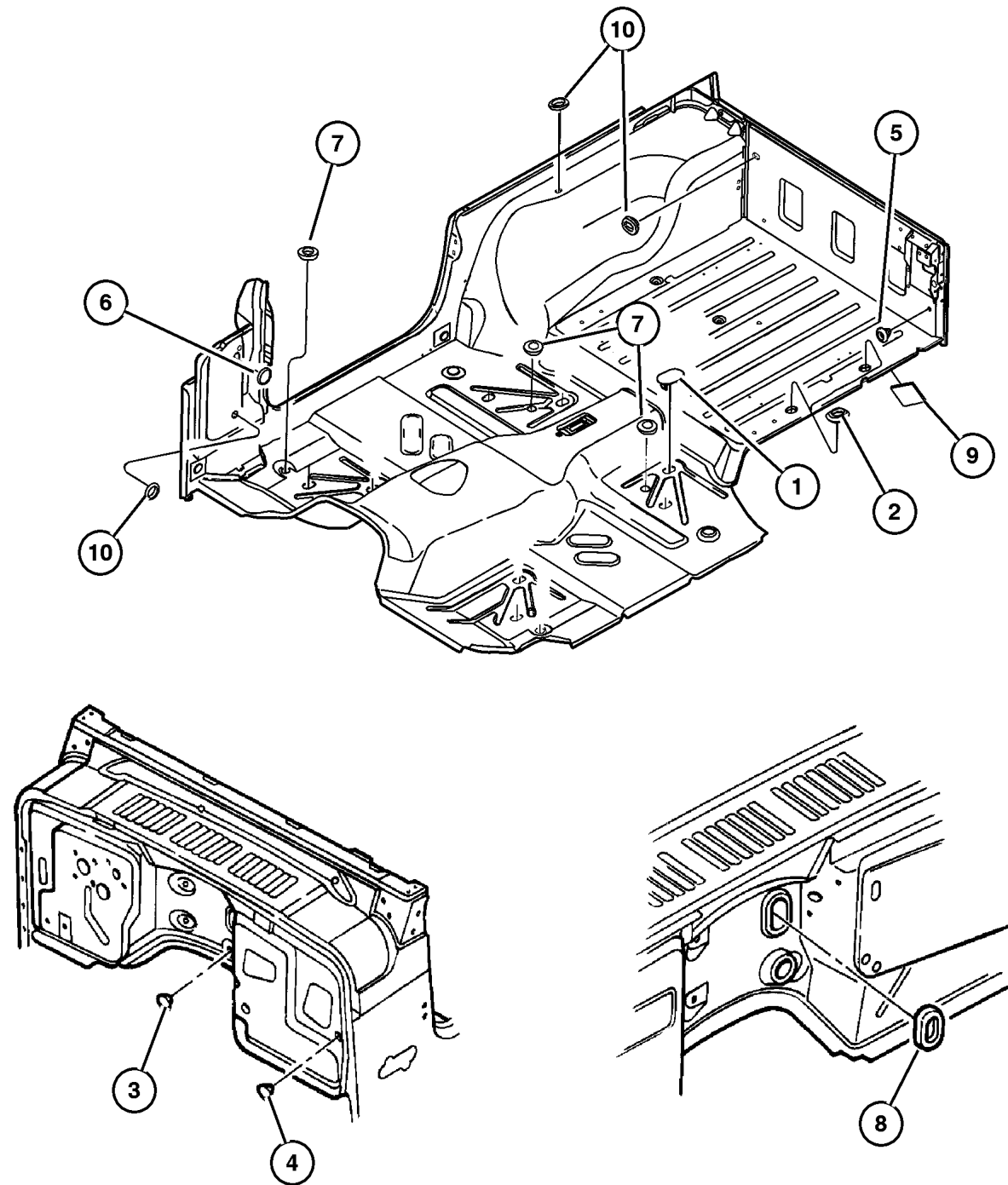
TRANSMISSION  
DGG, DGD = 32RH 3 Spd. Auto.  
DDD = 5 Speed HD Manual  
DGO = Auto. Trans.  
DBB = Manual Trans.  
DDK = 5 Speed Manual

AR = Use as required - = Non illustrated part # = New this model year

August 27, 2004

## Plugs Figure STJ-310

| ITEM | PART NUMBER | QTY | LINE | SERIES | BODY | ENGINE | TRANS | TRIM | DESCRIPTION  |
|------|-------------|-----|------|--------|------|--------|-------|------|--|
| 1    | 4646 971    | 8   |      |        |      |        |       |      | PLUG, Floor Pan  |
| 2    | 6004 507    | 1   |      |        |      |        |       |      | PLUG, Body, 25.4mm x 38.1mm                                  |
| 3    | 2424 864    | 1   |      |        |      |        |       |      | PLUG, Body, 1.75 Diameter, Shift Cable Hole                  |
| 4    | 55257 380AD | 1   |      |        |      |        |       |      | PLUG   |
| 5    | 4373 728    | 1   |      |        |      |        |       |      | PLUG   |
| 6    | 55176 729AA | 2   |      |        |      |        |       |      | PLUG   |
| 7    | 55177 482AA | 4   |      |        |      |        |       |      | PLUG, Floor Pan  |
| 8    |             |     |      |        |      |        |       |      | PLUG, Body, 4.0mm X 76.4mm,<br>(NOT SERVICED) (Not Serviced) |
| 9    | 55364 097AA | 1   |      |        |      |        |       |      | TAPE   |
| 10   | 1774 076    | 2   |      |        |      |        |       |      | PLUG   |



### JEEP WRANGLER (TJ)

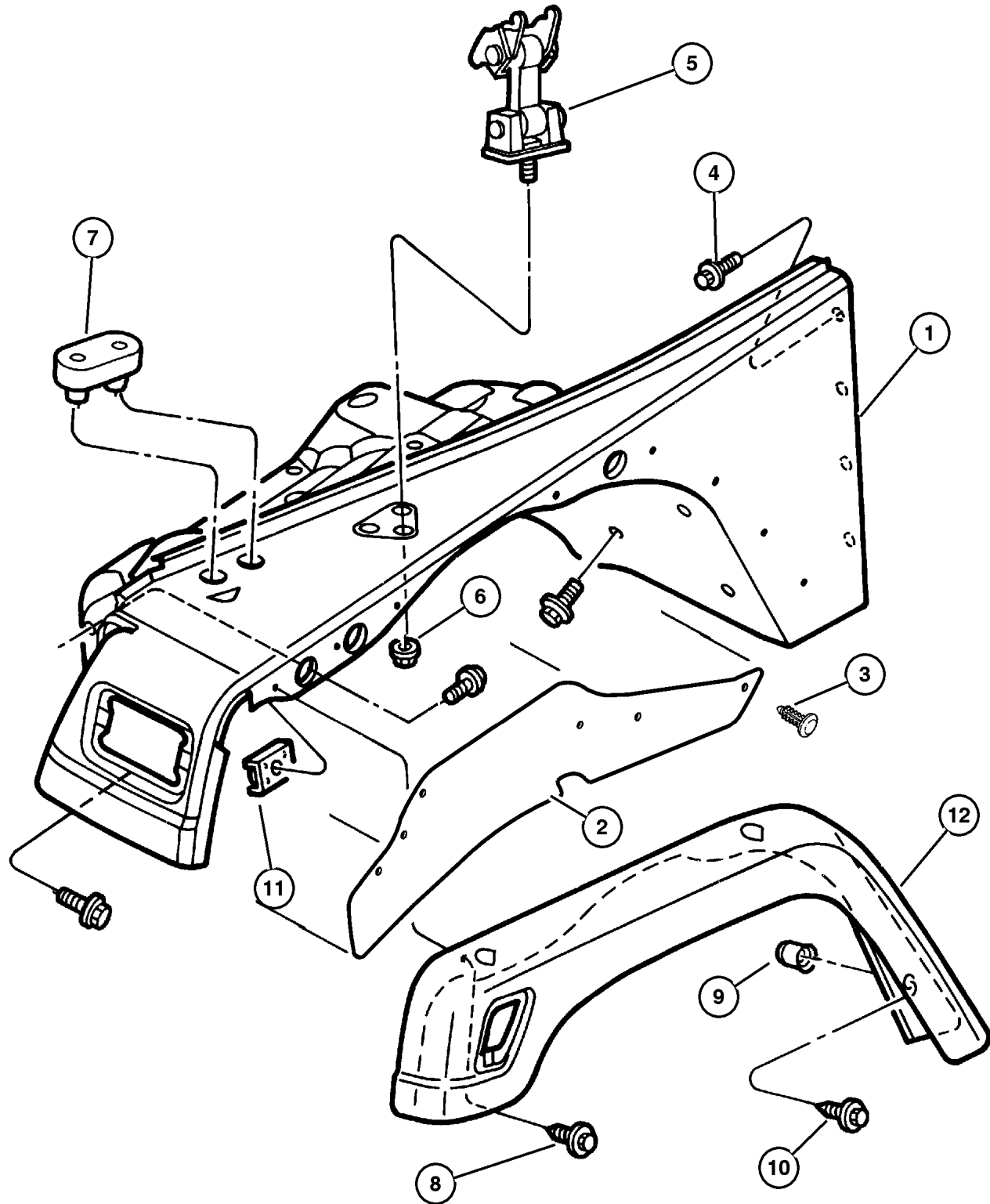
|             |                        |              |                       |                              |
|-------------|------------------------|--------------|-----------------------|------------------------------|
| SERIES      | LINE                   | BODY         | ENGINE                | TRANSMISSION                 |
| H = Sport   | J = Wrangler 4WD       | 77 = 93.4 WB | ED1, ED0 = 2.4L DOHC  | DGG, DGD = 32RH 3 Spd. Auto. |
| L = SE      | U = Wrangler 4WD (RHD) |              | ERH = 4.0L Power Tech | DDD = 5 Speed HD Manual      |
| M = X       |                        |              |                       | DG0 = Auto. Trans.           |
| P = Sahara  |                        |              |                       | DBB = Manual Trans.          |
| S = Rubicon |                        |              |                       | DDK = 5 Speed Manual         |

AR = Use as required - = Non illustrated part # = New this model year

August 27, 2004

Fender And Flare, Front  
Figure STJ-410

| ITEM | PART NUMBER | QTY | LINE | SERIES | BODY | ENGINE | TRANS | TRIM | DESCRIPTION  |
|------|-------------|-----|------|--------|------|--------|-------|------|--|
| 1    |             |     |      |        |      |        |       |      | PANEL, Fender  |
|      | 5003 950AG  | 1   |      |        |      |        |       |      | Right  |
|      | 5003 951AG  | 1   |      |        |      |        |       |      | Left   |
| 2    | 5517 4658   | 2   |      |        |      |        |       |      | SHIELD, Splash, Front  |
| 3    | 6030 441    | 12  |      |        |      |        |       |      | PIN, Retainer  |
| 4    | 6100 583    | 6   |      |        |      |        |       |      | SCREW AND WASHER, Hex Head,<br>M8x1.25x25                              |
| 5    | 55176 636AD | 2   |      |        |      |        |       |      | CATCH, Hood  |
| 6    | 3420 1416   | 2   |      |        |      |        |       |      | NUT, Hex Flange, M8x1.25   |
| 7    | J400 7541   | 2   |      |        |      |        |       |      | BUMPER, Fender, Oblong Head,<br>Hood Cushion                           |
| 8    |             |     |      |        |      |        |       |      | SCREW AND WASHER, [.190-16x.<br>750], (NOT SERVICED) (Not<br>Serviced) |
| 9    | 6504 601    | 6   |      |        |      |        |       |      | NUT, Rivet Round, M5x0.80x11.09  |
| 10   |             |     |      |        |      |        |       |      | SCREW AND WASHER, M5x.<br>080x20.00, (NOT SERVICED) (Not<br>Serviced)  |
| 11   | J400 4868   | 14  |      |        |      |        |       |      | NUT, Plastic   |
| 12   |             |     |      |        |      |        |       |      | EXTENSION, Fender<br>[K50], Left                                       |
|      | QP95 TZZAC  | 1   |      |        |      |        |       |      | [K3G], Left  |
|      | 5KC27 AJ7AB | 1   |      |        |      |        |       |      |  |



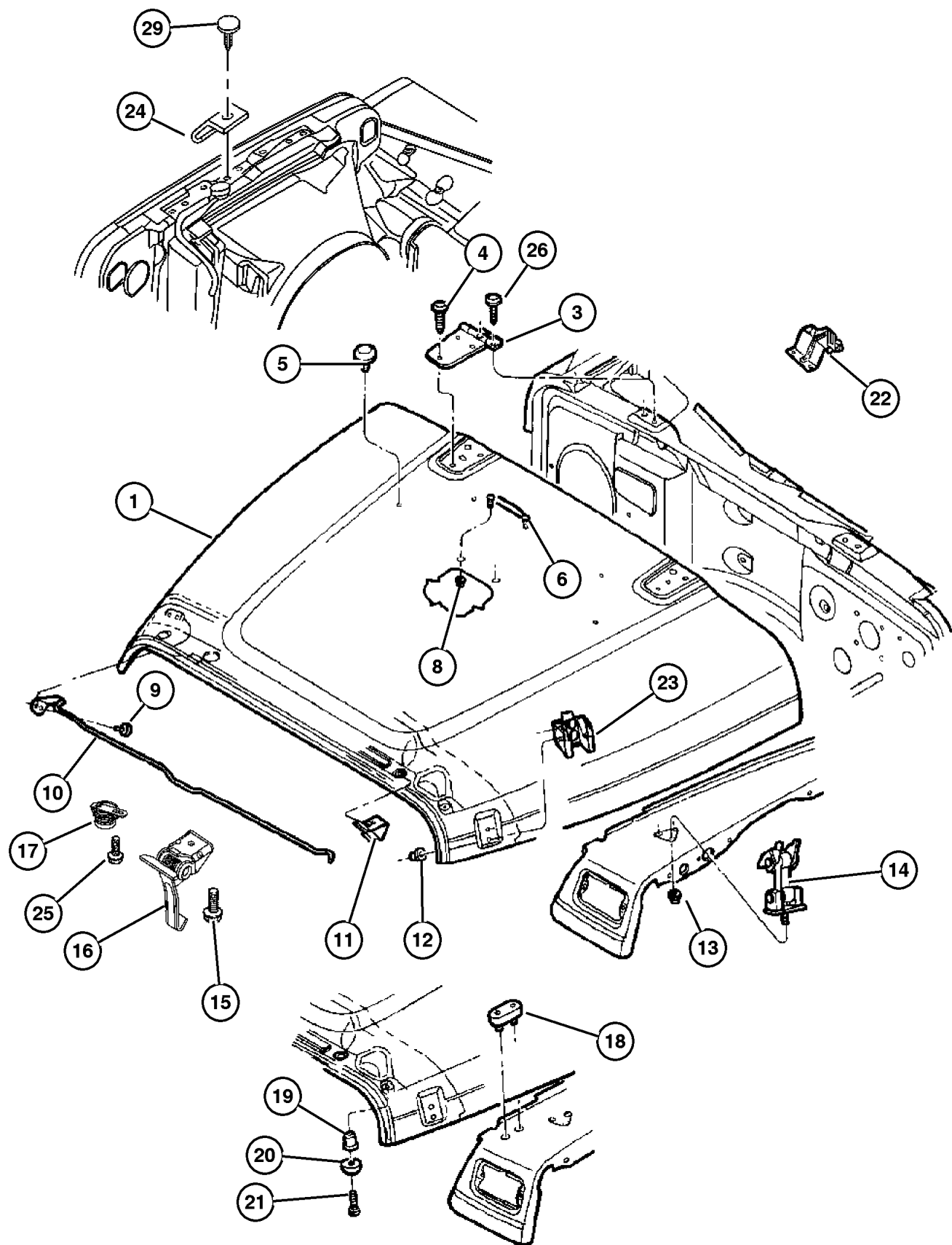
JEEP WRANGLER (TJ)

|             |                        |              |                       |                                 |
|-------------|------------------------|--------------|-----------------------|---------------------------------|
| SERIES      | LINE                   | BODY         | ENGINE                | TRANSMISSION                    |
| H = Sport   | J = Wrangler 4WD       | 77 = 93.4 WB | ED1, ED0 = 2.4L DOHC  | DGG, DGD = 32RH 3 Spd.<br>Auto. |
| L = SE      | U = Wrangler 4WD (RHD) |              | ERH = 4.0L Power Tech | DDD = 5 Speed HD Manual         |
| M = X       |                        |              |                       | DG0 = Auto. Trans.              |
| P = Sahara  |                        |              |                       | DBB = Manual Trans.             |
| S = Rubicon |                        |              |                       | DDK = 5 Speed Manual            |

AR = Use as required - = Non illustrated part # = New this model year

August 27, 2004

## Hood, Lock, Catches Figure STJ-510



| ITEM | PART NUMBER | QTY | LINE | SERIES | BODY   | ENGINE | TRANS | TRIM | DESCRIPTION  |
|------|-------------|-----|------|--------|--------|--------|-------|------|--|
| 1    | 55176 594AF | 1   |      |        |        |        |       |      | HOOD   |
| -2   | 5517 6589   | AR  |      |        |        |        |       |      | SHIM   |
| 3    | 5507 5559   | 2   |      |        |        |        |       |      | HINGE, Hood  |
| 4    | 6503 154    | 6   |      |        |        |        |       |      | SCREW AND WASHER, Round Head, M8x1.25x20                       |
| 5    | 55075 590AB | 2   |      |        |        |        |       |      | BUMPER, Hood   |
| 6    | 5517 6422   | 1   |      |        |        |        |       |      | BRACKET, Windshield Hold Down                                  |
| -7   | 6036 102AA  | 4   |      |        |        |        |       |      | SCREW, .19-24.50   |
| 8    | 6502 028    | 2   |      |        |        |        |       |      | NUT AND WASHER, Hex Nut-Coned Washer, M4 x 0.70                |
| 9    | 6034 980    | 2   |      |        |        |        |       |      | SCREW, Pan Head, .19-24x.437                                   |
| 10   | 55176 635AF | 1   |      |        |        |        |       |      | ROD, Hood Prop   |
| 11   | J400 7456   | 1   |      |        |        |        |       |      | CLIP, Prop Rod   |
| 12   | 6504 030    | 4   |      |        |        |        |       |      | NUT AND WASHER, Hex, M6x1                                      |
| 13   | 3420 1416   | 2   |      |        |        |        |       |      | NUT, Hex Flange, M8x1.25                                       |
| 14   | 55176 636AD | 2   |      |        |        |        |       |      | CATCH, Hood  |
| 15   |             |     |      |        |        |        |       |      | SCREW AND WASHER, M6x1.00x20.00, (NOT SERVICED) (Not Serviced) |
| 16   | 55176 731AF | 1   |      |        |        |        |       |      | HOOK, Hood Safety Catch  |
| 17   | 55176 732AC | 1   |      |        |        |        |       |      | SPRING, Hood Pop Up  |
| 18   | J400 7541   | 2   |      |        |        |        |       |      | BUMPER, Fender, Oblong   |
| 19   | J400 5237   | 2   |      |        |        |        |       |      | NUT, Hex, .19-32x430, Well Type Hood Bumper Support            |
| 20   | 5517 6291   | 2   |      |        |        |        |       |      | BUMPER, Steel Insert   |
| 21   | 6034 205    | 2   |      |        |        |        |       |      | SCREW, Pan Head, .19-32x.625, Hood Bumper Support              |
| 22   | 5517 5096   | 2   |      |        |        |        |       |      | REINFORCEMENT, Hood Hinge                                      |
| 23   | 55176 428AC | 2   |      |        |        |        |       |      | BRACKET, Hood Catch  |
| 24   | 5503 2768   | 1   |      |        |        |        |       |      | SKID PLATE, Secondary Hood Catch                               |
| 25   |             |     |      |        |        |        |       |      | SCREW, .190-16x.500, (NOT SERVICED) (Not Serviced)             |
| 26   | 6503 448    | 4   |      |        |        |        |       |      | SCREW, Round Head, M8x1.25x30                                  |
| -27  | 55352 876AE | 1   |      |        | 61, 77 |        |       |      | INSULATION, Hood   |
|      |             | 1   | J    |        | 78     |        |       |      |  |
| -28  | 6500 787    | 2   |      |        |        |        |       |      | RIVET, M5x11.30  |
| 29   | 6500 787    | 1   |      |        |        |        |       |      | RIVET, M5x11.30  |

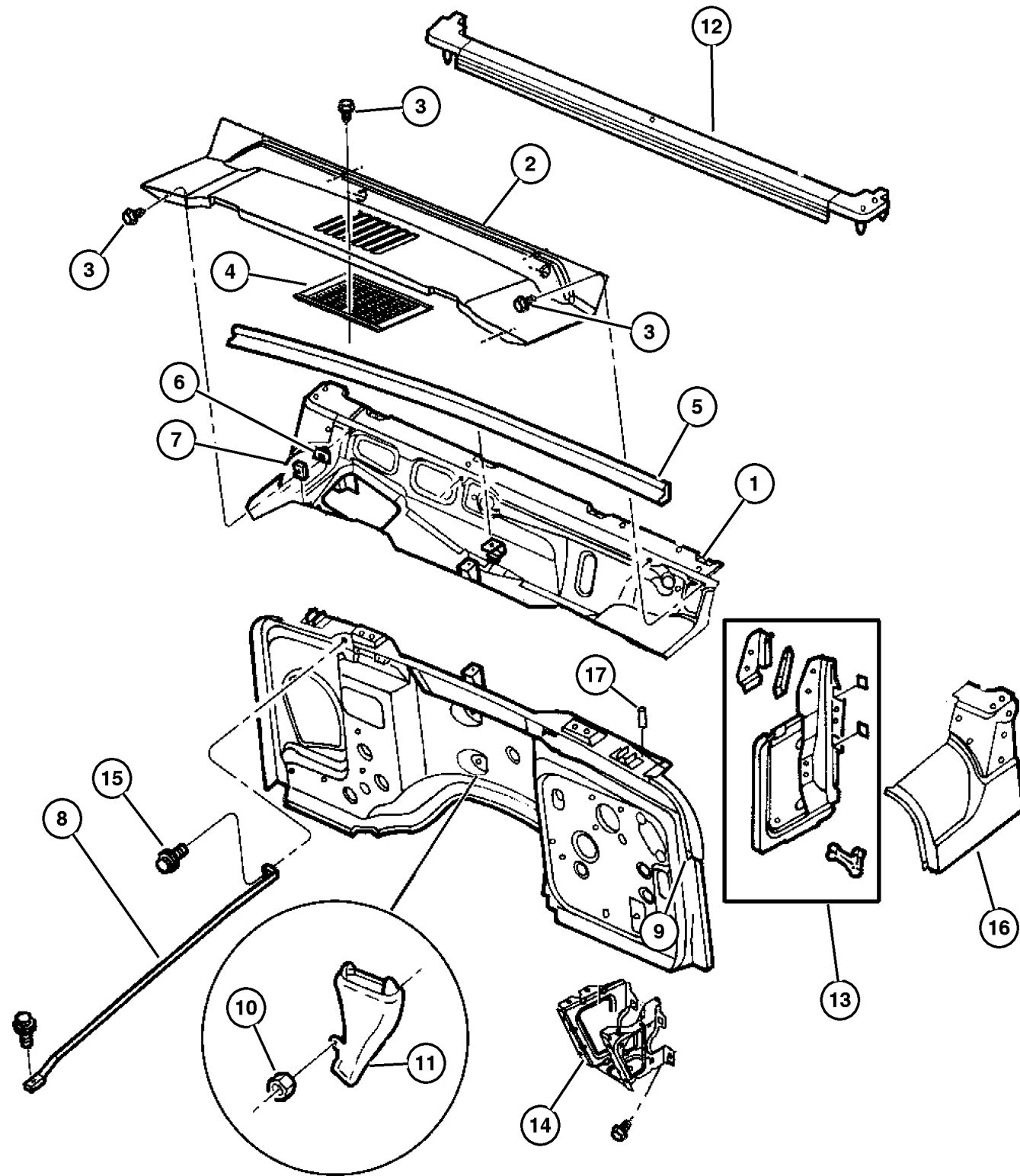
### JEEP WRANGLER (TJ)

|             |                        |              |                       |                              |
|-------------|------------------------|--------------|-----------------------|------------------------------|
| SERIES      | LINE                   | BODY         | ENGINE                | TRANSMISSION                 |
| H = Sport   | J = Wrangler 4WD       | 77 = 93.4 WB | ED1, ED0 = 2.4L DOHC  | DGG, DGD = 32RH 3 Spd. Auto. |
| L = SE      | U = Wrangler 4WD (RHD) |              | ERH = 4.0L Power Tech | DDD = 5 Speed HD Manual      |
| M = X       |                        |              |                       | DG0 = Auto. Trans.           |
| P = Sahara  |                        |              |                       | DBB = Manual Trans.          |
| S = Rubicon |                        |              |                       | DDK = 5 Speed Manual         |

AR = Use as required - = Non illustrated part # = New this model year

August 27, 2004

**Panels, Cowl And Dash  
Figure STJ-610**



| ITEM | PART NUMBER | QTY | LINE | SERIES | BODY   | ENGINE | TRANS | TRIM | DESCRIPTION  |
|------|-------------|-----|------|--------|--------|--------|-------|------|--|
| 1    |             |     |      |        |        |        |       |      | PANEL, Cowl  |
|      | 55174 624AM | 1   | J    |        |        |        |       |      |  |
|      | 55174 625AN | 1   | U    |        | 77     |        |       |      |  |
| 2    |             |     |      |        |        |        |       |      | GRILLE, Cowl Panel                                   |
|      | 55174 636AB | 1   | J    |        |        |        |       |      |  |
|      | 55174 637AC | 1   | U    |        | 77     |        |       |      |  |
| 3    |             |     |      |        |        |        |       |      | SCREW, [.164-15x1.21], (NOT SERVICED) (Not Serviced) |
| 4    | 55037 422AC | 1   |      |        |        |        |       |      | SCREEN, Cowl   |
| 5    | 55174 640AE | 1   |      |        |        |        |       |      | WEATHERSTRIP, Hood to Cowl                           |
| 6    | 6507 547AA  | 4   |      |        |        |        |       |      | NUT, Snap In   |
| 7    | 0152 490    | 3   |      |        |        |        |       |      | NUT, Spring, .16-18                                  |
| 8    | 55176 588AB | 2   |      |        |        |        |       |      | BRACKET, Dash Panel to Plenum                        |
| 9    |             |     |      |        |        |        |       |      | PANEL, Dash  |
|      | 55174 644AN | 1   | J    |        | 77, 78 |        |       |      |  |
|      | 55174 645AL | 1   | U    |        | 77     |        |       |      |  |
| 10   |             |     |      |        |        |        |       |      | NUT, Hex, M6x1.00, (NOT SERVICED) (Not Serviced)     |
| 11   | 5517 6555   | 1   |      |        |        |        |       |      | DRAIN, Heater and A/C                                |
| 12   | 55395 032AG | 1   |      |        |        |        |       |      | WEATHERSTRIP, Windshield to Cowl                     |
| 13   |             |     |      |        |        |        |       |      | PANEL, Cowl Side                                     |
|      | 55176 092AC | 1   | J    |        |        |        |       |      | Upper Right  |
|      |             | 1   | U    |        | 77     |        |       |      | Upper Right  |
|      | 55176 093AC | 1   | J    |        |        |        |       |      | Upper Left   |
|      |             | 1   | U    |        | 77     |        |       |      | Upper Left   |
| 14   |             |     |      |        |        |        |       |      | REINFORCEMENT, Battery Tray                          |
|      | 55174 782AE | 1   |      |        |        |        |       |      | Right  |
|      | 55174 783AE | 1   |      |        |        |        |       |      | Left   |
| 15   | 6100 583    | 6   |      |        |        |        |       |      | SCREW AND WASHER, Hex Head, M8x1.25x25               |
| 16   |             |     |      |        |        |        |       |      | PANEL, Cowl Top                                      |
|      | 55176 560AC | 1   | J    |        | 78     |        |       |      | Right  |
|      | 55176 561AC | 1   | J    |        | 78     |        |       |      | Left   |
|      | 55176 560AC | 1   |      |        | 77     |        |       |      | Right  |
|      | 55176 561AC | 1   |      |        | 77     |        |       |      | Left   |
| 17   | 6504 649    | 4   |      |        |        |        |       |      | CAP, Bolt Cover                                      |

**JEEP WRANGLER (TJ)**

SERIES  
H = Sport  
L = SE  
M = X  
P = Sahara  
S = Rubicon

LINE  
J = Wrangler 4WD  
U = Wrangler 4WD (RHD)

BODY  
77 = 93.4 WB

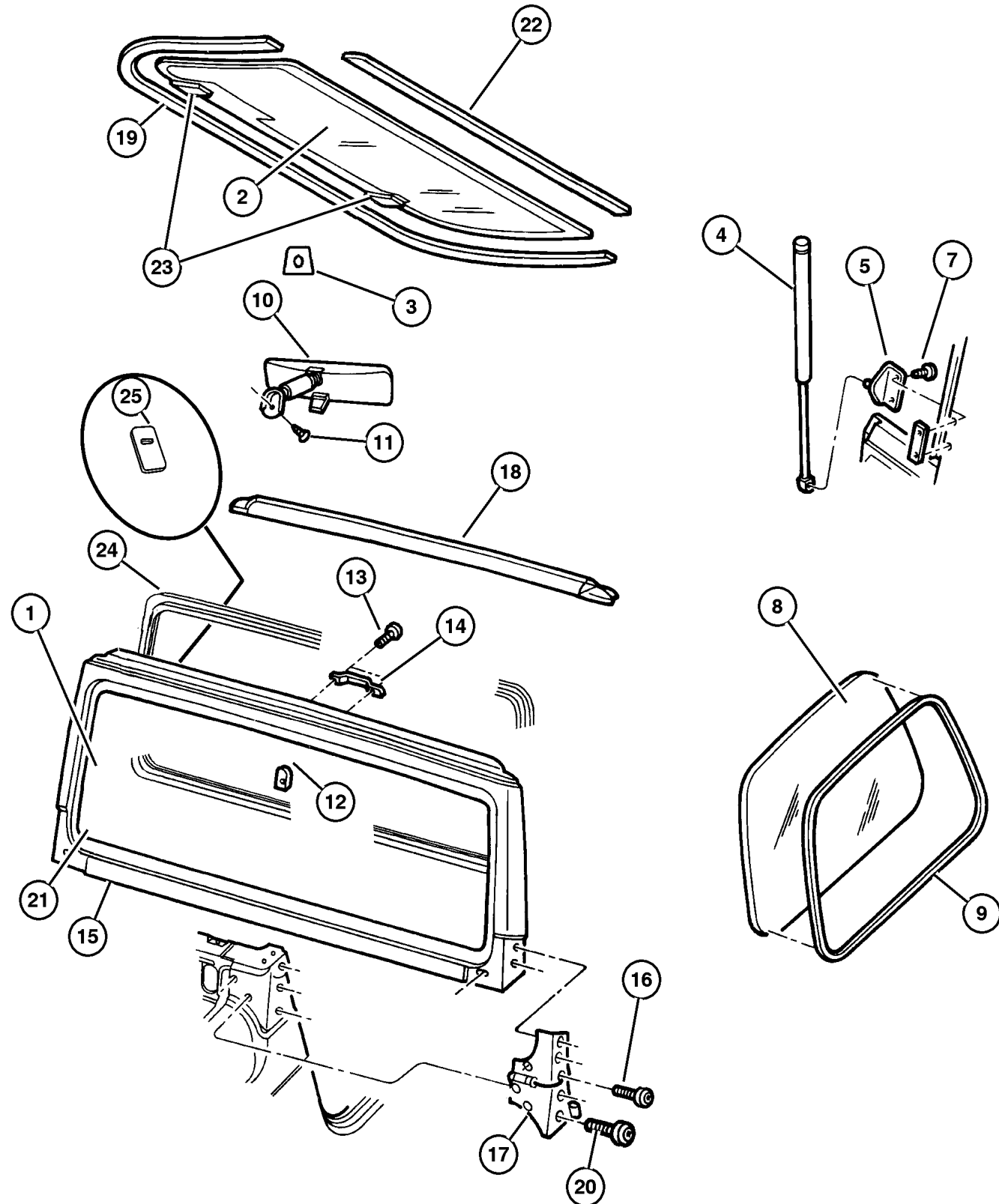
ENGINE  
ED1, ED0 = 2.4L DOHC  
ERH = 4.0L Power Tech

TRANSMISSION  
DGG, DGD = 32RH 3 Spd. Auto.  
DDD = 5 Speed HD Manual  
DGO = Auto. Trans.  
DBB = Manual Trans.  
DDK = 5 Speed Manual

AR = Use as required - = Non illustrated part # = New this model year

August 27, 2004

**Glass, Windshield, Backlite, Quarter Windshield Frame, Hinges**  
**Figure STJ-710**



| ITEM | PART NUMBER | QTY | LINE | SERIES | BODY | ENGINE | TRANS | TRIM | DESCRIPTION  |
|------|-------------|-----|------|--------|------|--------|-------|------|--|
| 1    | 4874 995AD  | 1   |      |        |      |        |       |      | WINDSHIELD   |
| 2    | 5096 041AB  | 1   |      |        |      |        |       |      | BACKLITE<br>Tinted   |
|      | 5096 143AB  | 1   |      |        |      |        |       |      | Privacy  |
| 3    |             |     |      |        |      |        |       |      | BRACKET, Ballstud  |
|      | 4883 496AA  | 1   |      |        |      |        |       |      | Right  |
|      | 4883 497AA  | 1   |      |        |      |        |       |      | Left   |
| 4    | 55076 310AD | 2   |      |        |      |        |       |      | PROP, Liftgate   |
| 5    |             |     |      |        |      |        |       |      | BALL STUD, Body Side   |
|      | 55076 311AB | 2   |      |        | 77   |        |       |      |  |
|      |             | 1   |      |        | 78   |        |       |      |  |
| -6   | J369 6930   | 2   |      |        | 77   |        |       |      | STUD, Ball Stud Mounting                                     |
| 7    |             |     |      |        |      |        |       |      | SCREW, M6x1.00x20.00, (NOT SERVICED) (Not Serviced)          |
| 8    |             |     |      |        |      |        |       |      | GLASS, Quarter Window  |
|      | 5517 6278   | 1   |      |        | 77   |        |       |      | Tinted, Right  |
|      | 5517 6279   | 1   |      |        | 77   |        |       |      | Tinted, Left   |
|      | 5517 6306   | 1   |      |        | 77   |        |       |      | Privacy, Right   |
|      | 5517 6307   | 1   |      |        | 77   |        |       |      | Privacy, Left  |
|      | 55395 178AA | 1   | J    |        | 78   |        |       |      | Privacy, Right   |
|      | 55395 179AA | 1   | J    |        | 78   |        |       |      | Privacy, Left  |
| 9    |             |     |      |        |      |        |       |      | MOLDING, Quarter Window                                      |
|      | 5517 6577   | 2   |      |        | 77   |        |       |      |  |
|      | 55395 175AA | 2   | J    |        | 78   |        |       |      |  |
| 10   |             |     |      |        |      |        |       |      | MIRROR, Inside Rear View                                     |
|      | 55156 172AA | 1   |      |        |      |        |       |      | With Lamps   |
|      | 55156 197AB | 1   |      |        |      |        |       |      | SCREW, Pan Head, .164-32x.460, (NOT SERVICED) (Not Serviced) |
| 11   |             |     |      |        |      |        |       |      |  |
| 12   | 5507 6401   | 1   |      |        |      |        |       |      | BUTTON, Rear View Mirror                                     |
| 13   |             |     |      |        |      |        |       |      | SCREW, .190-24x.500, (NOT SERVICED) (Not Serviced)           |
| 14   | 55177 497AA | 1   |      |        |      |        |       |      | FOOTMAN LOOP, Hold Down                                      |
| 15   | 55395 014AA | 1   |      |        |      |        |       |      | PANEL, Windshield Frame                                      |
| 16   | 6035 898    | 2   |      |        |      |        |       |      | SCREW AND WASHER, Truss Head, .312-18x1.12                   |
| 17   |             |     |      |        |      |        |       |      | HINGE, Door  |
|      | 55075 702AH | 1   |      |        |      |        |       |      | Right  |
|      | 55075 703AH | 1   |      |        |      |        |       |      | Left   |
| 18   | 55395 101AB | 1   |      |        |      |        |       |      | SEAL, Header Opening   |
| 19   | 55175 041AF | 1   |      |        |      |        |       |      | WEATHERSEAL, LIFTGATE  |
| 20   | 6035 757    | 8   |      |        |      |        |       |      | SCREW  |

**JEEP WRANGLER (TJ)**

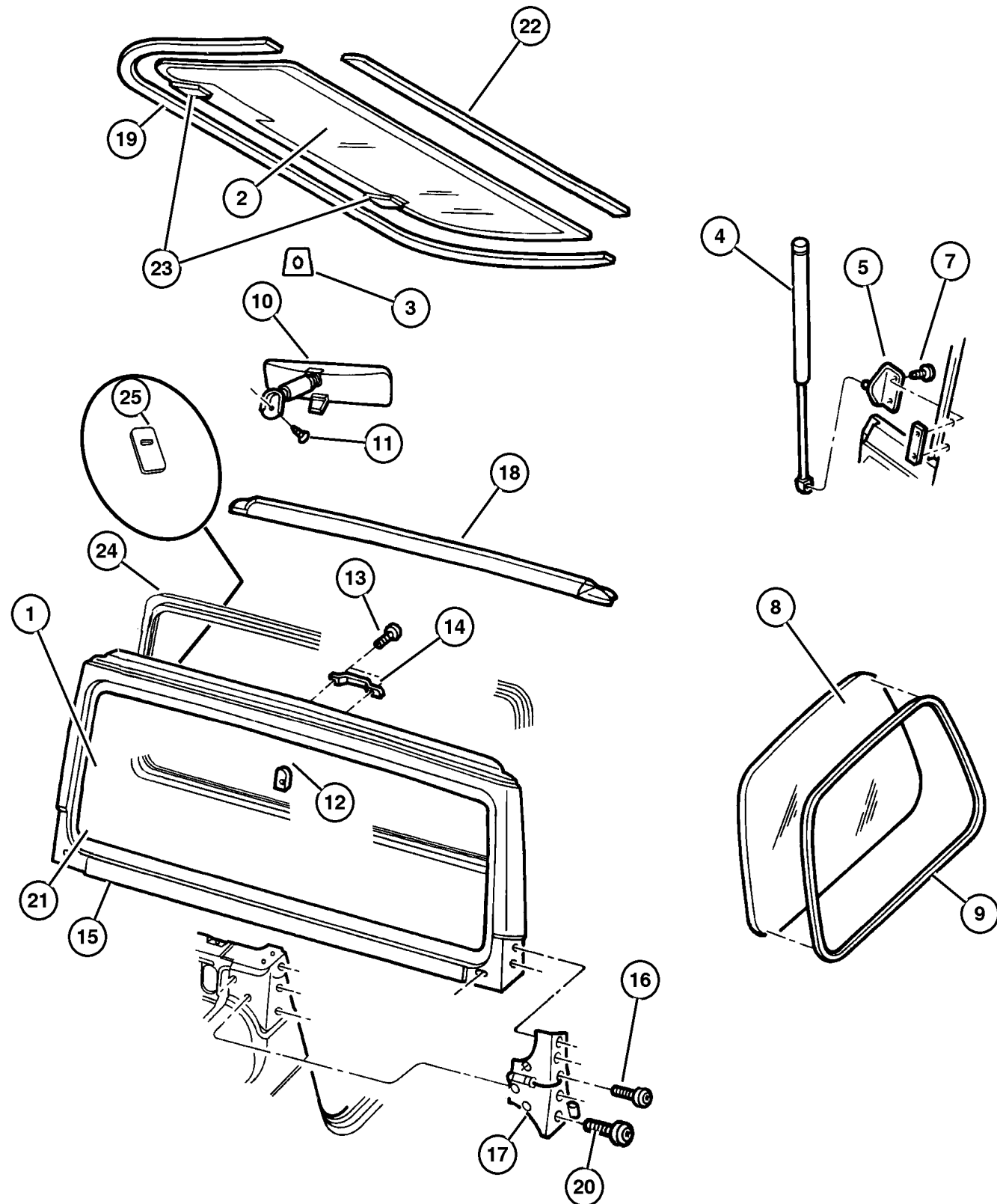
|             |                        |              |                       |                              |
|-------------|------------------------|--------------|-----------------------|------------------------------|
| SERIES      | LINE                   | BODY         | ENGINE                | TRANSMISSION                 |
| H = Sport   | J = Wrangler 4WD       | 77 = 93.4 WB | ED1, ED0 = 2.4L DOHC  | DGG, DGD = 32RH 3 Spd. Auto. |
| L = SE      | U = Wrangler 4WD (RHD) |              | ERH = 4.0L Power Tech | DDD = 5 Speed HD Manual      |
| M = X       |                        |              |                       | DG0 = Auto. Trans.           |
| P = Sahara  |                        |              |                       | DBB = Manual Trans.          |
| S = Rubicon |                        |              |                       | DDK = 5 Speed Manual         |

AR = Use as required - = Non illustrated part # = New this model year

August 27, 2004



**Glass, Windshield, Backlite, Quarter Windshield Frame, Hinges**  
**Figure STJ-710**



| ITEM | PART NUMBER | QTY | LINE | SERIES | BODY | ENGINE | TRANS | TRIM | DESCRIPTION                      |
|------|-------------|-----|------|--------|------|--------|-------|------|----------------------------------|
| 21   | 55176 567AC | 1   |      |        |      |        |       |      | MOLDING, Windshield Reveal       |
| 22   | 5517 5042   | 1   |      |        |      |        |       |      | WEATHERSTRIP, Backlite           |
| 23   |             |     |      |        |      |        |       |      | HINGE, Liftglass                 |
|      | 5013 722AB  | 1   |      |        |      |        |       |      | Right                            |
|      | 5013 723AB  | 1   |      |        |      |        |       |      | Left                             |
| 24   | 55176 430AD | 1   |      |        |      |        |       |      | MOLDING, Windshield Garnish      |
| 25   | 5517 6421   | 2   |      |        |      |        |       |      | TAPE, Anti Chip                  |
| -26  | 5500 9433   | 1   |      |        |      |        |       |      | GASKET, Hinge To Glass, Backlite |
| -27  | 5500 9434   | 1   |      |        |      |        |       |      | BUSHING, Hinge to Glass          |
| -28  | 5500 9788   | 1   |      |        |      |        |       |      | SEAL, Hinge To Glass             |
| -29  | J400 7384   | 1   |      |        |      |        |       |      | NUT AND WASHER, Hex              |
| -30  | 5501 9378   | 1   |      |        |      |        |       |      | CAP, Hinge Cover                 |
| -31  |             |     |      |        |      |        |       |      | GROMMET, Wiper Motor And Bracket |
|      | 5517 6464   | 1   |      |        |      | 77     |       |      |                                  |
|      |             | 1   | J    |        |      | 78     |       |      |                                  |

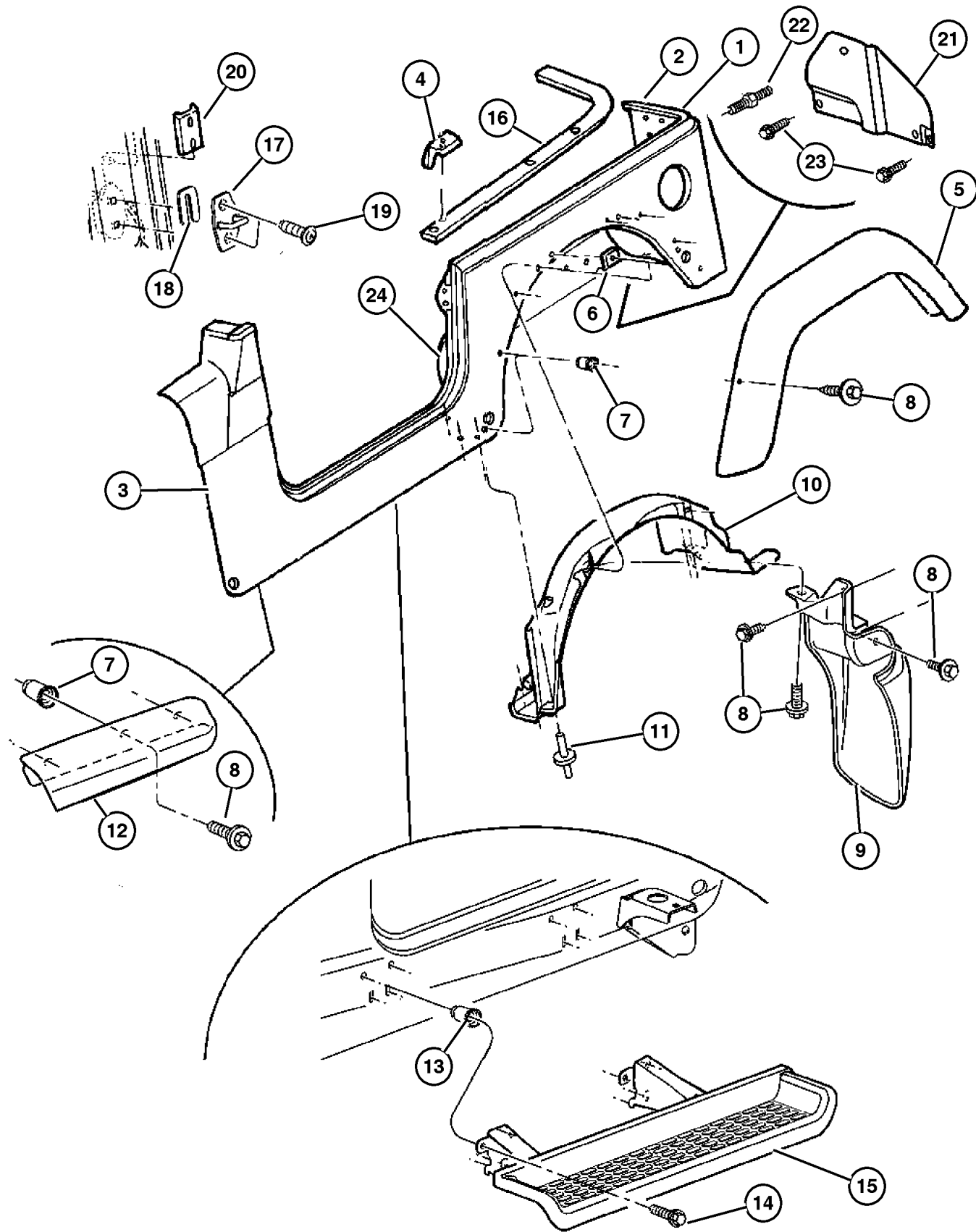
**JEEP WRANGLER (TJ)**

|             |                        |              |                       |                              |
|-------------|------------------------|--------------|-----------------------|------------------------------|
| SERIES      | LINE                   | BODY         | ENGINE                | TRANSMISSION                 |
| H = Sport   | J = Wrangler 4WD       | 77 = 93.4 WB | ED1, ED0 = 2.4L DOHC  | DGG, DGD = 32RH 3 Spd. Auto. |
| L = SE      | U = Wrangler 4WD (RHD) |              | ERH = 4.0L Power Tech | DDD = 5 Speed HD Manual      |
| M = X       |                        |              |                       | DG0 = Auto. Trans.           |
| P = Sahara  |                        |              |                       | DBB = Manual Trans.          |
| S = Rubicon |                        |              |                       | DDK = 5 Speed Manual         |

AR = Use as required - = Non illustrated part # = New this model year

August 27, 2004

**Panels, Body Side  
Figure STJ-810**



| ITEM   | PART NUMBER | QTY | LINE | SERIES | BODY   | ENGINE | TRANS | TRIM | DESCRIPTION   |
|--|-------------|-----|------|--------|--------|--------|-------|------|---|
| Note: Sales Code [ABA] = Australia Equipment Group |             |     |      |        |        |        |       |      |   |
| 1  | 56052 370AA | 1   | J    |        | 78     |        |       |      | PANEL, Body Side<br>Outer,Right                                   |
|  | 56052 371AA | 1   | J    |        | 78     |        |       |      | Outer,Left  |
| 2  |             |     |      |        |        |        |       |      | PANEL, Rear Corner  |
|  | 55175 664AB | 1   |      |        | 77     |        |       |      | Right   |
|  |             | 1   | J    |        | 78     |        |       |      | Right   |
|  | 5517 5665   | 1   |      |        | 77     |        |       |      | Left  |
|  |             | 1   | J    |        | 78     |        |       |      | Left  |
| 3  |             |     |      |        |        |        |       |      | REINFORCEMENT, Side Panel   |
|  | 5517 5024   | 1   |      |        | 77     |        |       |      |   |
|  |             | 1   | J    |        | 78     |        |       |      |   |
| 4  |             |     |      |        |        |        |       |      | SEAL, Mucket  |
|  | 55177 256AA | 1   |      |        |        |        |       |      | Right   |
|  | 55177 257AA | 1   |      |        |        |        |       |      | Left  |
| 5  |             |     |      |        |        |        |       |      | EXTENSION, Wheel House  |
|  | 5DS74 TZZAD | 1   |      |        |        |        |       |      | [K50], Right  |
|  | 5DS75 TZZAD | 1   |      |        |        |        |       |      | [K50], Left   |
|  | 5KC20 AJ7AB | 1   |      |        |        |        |       |      | [K3G], Right  |
|  | 5KC20 BDLAB | 1   |      |        |        |        |       |      | [K3B], Right  |
|  | 5KC20 CJMAB | 1   |      |        |        |        |       |      | [K3C], Right  |
|  | 5KC21 AJ7AB | 1   |      |        |        |        |       |      | [K3G], Left   |
|  | 5KC21 BDLAB | 1   |      |        |        |        |       |      | [K3B], Left   |
|  | 5KC21 CJMAB | 1   |      |        |        |        |       |      | [K3C], Left   |
| 6  | J400 4868   | 10  |      |        |        |        |       |      | NUT, Plastic  |
| 7  | 6504 601    | 6   |      |        |        |        |       |      | NUT, Rivet Round, M5x0.80x11.09                                   |
| 8  |             |     |      |        |        |        |       |      | SCREW AND WASHER, M5X.<br>80X20.00, (NOT SERVICED) (Not Serviced) |
| 9  |             |     |      |        |        |        |       |      | SHIELD, Splash  |
|  | 55155 696AA | 1   |      |        |        |        |       |      | Right   |
|  | 55155 697AA | 1   |      |        |        |        |       |      | Left  |
|  | 55156 038AB | 1   |      |        |        |        |       |      | [ABA], Australia, Right   |
|  | 55156 039AB | 1   |      |        |        |        |       |      | [ABA], Australia, Left  |
| 10   |             |     |      |        |        |        |       |      | SHIELD, Splash, Liner, Rear<br>Wheelhouse                         |
|  | 55155 632AD | 1   |      |        | 77     |        |       |      | Right   |
|  | 55155 633AB | 1   |      |        | 77     |        |       |      | Left  |
|  | 56052 388AA | 1   | J    |        | 61, 78 |        |       |      | Right   |
|  | 56052 389AA | 1   | J    |        | 61, 78 |        |       |      | Left  |
| 11   | 6030 441    | 10  |      |        |        |        |       |      | PIN, Retainer   |
| 12   |             |     |      |        |        |        |       |      | EXTENSION, Fender   |

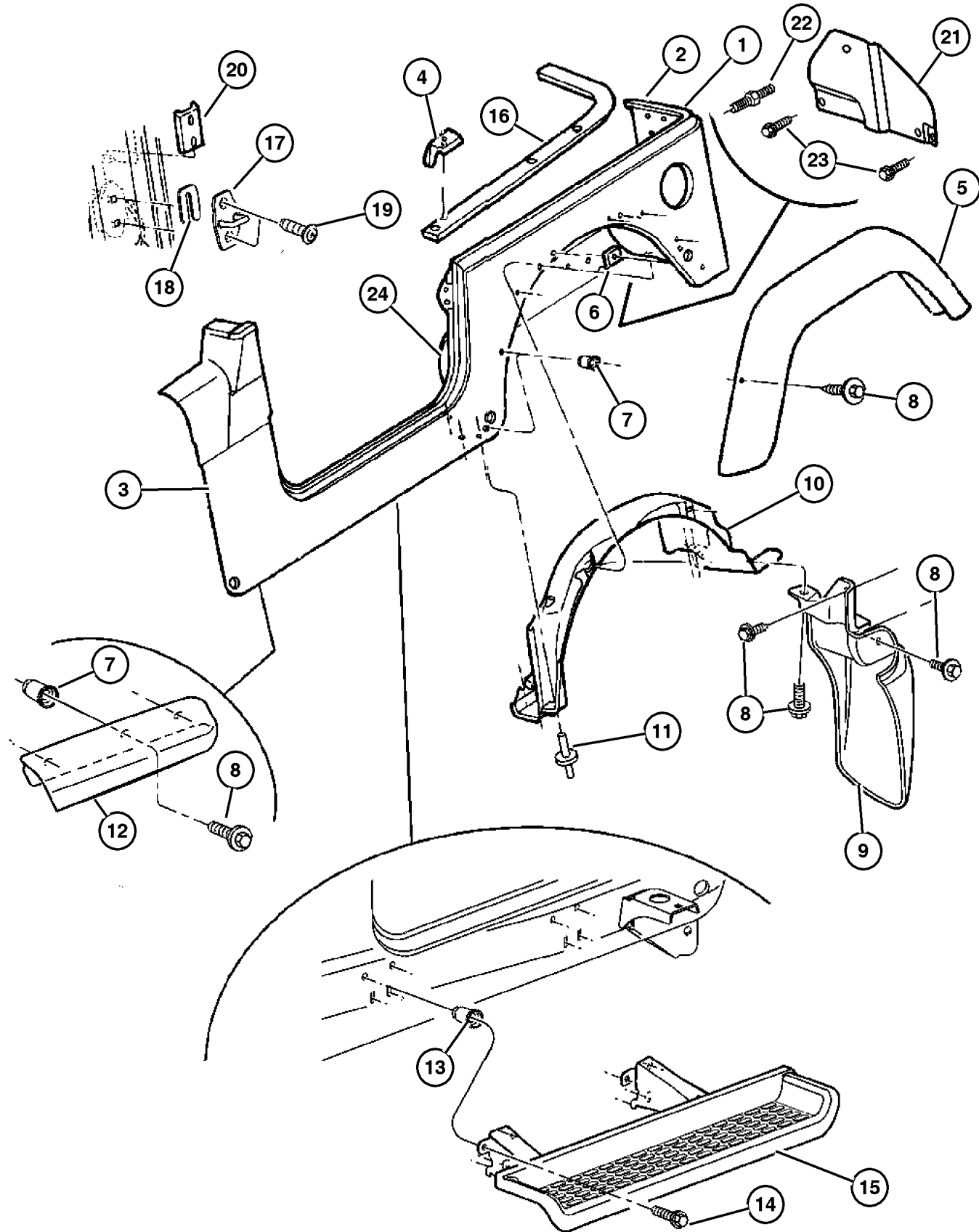
**JEEP WRANGLER (TJ)**

|             |                        |              |                       |                                 |
|-------------|------------------------|--------------|-----------------------|---------------------------------|
| SERIES      | LINE                   | BODY         | ENGINE                | TRANSMISSION                    |
| H = Sport   | J = Wrangler 4WD       | 77 = 93.4 WB | ED1, ED0 = 2.4L DOHC  | DGG, DGD = 32RH 3 Spd.<br>Auto. |
| L = SE      | U = Wrangler 4WD (RHD) |              | ERH = 4.0L Power Tech | DDD = 5 Speed HD Manual         |
| M = X       |                        |              |                       | DG0 = Auto. Trans.              |
| P = Sahara  |                        |              |                       | DBB = Manual Trans.             |
| S = Rubicon |                        |              |                       | DDK = 5 Speed Manual            |

AR = Use as required - = Non illustrated part # = New this model year

August 27, 2004

**Panels, Body Side  
Figure STJ-810**



| ITEM | PART NUMBER | QTY | LINE | SERIES | BODY | ENGINE | TRANS | TRIM | DESCRIPTION                                       |
|------|-------------|-----|------|--------|------|--------|-------|------|---|
|      | 5DV12 TZZAB | 1   |      |        |      |        |       |      | [K5], Right                                       |
|      | 5DV13 TZZAB | 1   |      |        |      |        |       |      | [K5], Left  |
|      | 5KC28 BDLAB | 1   |      |        |      |        |       |      | [K3B], Right                                      |
|      | 5KC28 CJMAB | 1   |      |        |      |        |       |      | [K3C], Right                                      |
|      | 5KC29 BDLAB | 1   |      |        |      |        |       |      | [K3B], Left                                       |
|      | 5KC29 CJMAB | 1   |      |        |      |        |       |      | [K3C], Left                                       |
| 13   | 6504 397    | 8   |      |        |      |        |       |      | NUT, M8-1.25                                      |
| 14   | 6501 648    | 8   |      |        |      |        |       |      | SCREW, Hex Flange Head, M8x1.25x25.00             |
| 15   | 55156 200AB | 1   |      |        |      |        |       |      | STEP PAD, Side Step Right                         |
|      | 55156 201AB | 1   |      |        |      |        |       |      | Left  |
| 16   |             |     |      |        |      |        |       |      | RETAINER, Belt Rail                               |
|      | 55175 754AC | 1   |      |        | 77   |        |       |      | Right   |
|      | 55175 755AC | 1   |      |        | 77   |        |       |      | Left  |
|      | 56052 374AA | 1   | J    |        | 78   |        |       |      | Right   |
|      | 56052 375AA | 1   | J    |        | 78   |        |       |      | Left  |
| 17   | 4780 259    | 2   |      |        |      |        |       |      | STRIKER, Door                                     |
| 18   | 4520 289    | AR  |      |        |      |        |       |      | SPACER, Door Latch Striker                        |
|      | 5507 5483   | AR  |      |        |      |        |       |      | [2.0/2.5] Thick                                   |
| 19   | 6503 120    | 4   |      |        |      |        |       |      | SCREW AND WASHER, Button Head Torx, M8x1.25x39.50 |
| 20   | 4674 669    | 1   |      |        | 77   |        |       |      | PLATE, Striker                                    |
|      |             | 1   | J    |        | 78   |        |       |      |   |
| 21   | 55395 030AA | 1   |      |        |      |        |       |      | SHIELD, Wheelhouse                                |
| 22   | 6507 536AA  | 1   |      |        |      |        |       |      | STUD, M8x25                                       |
| 23   | 6503 543    | 2   |      |        |      |        |       |      | BOLT AND CONED WASHER, Hex Head, M8x1.25x25       |
| 24   | 55176 622AG | 1   |      |        | 77   |        |       |      | REINFORCEMENT, Side Panel Right                   |
|      |             | 1   | J    |        | 78   |        |       |      | Right   |
|      | 55176 623AG | 1   |      |        | 77   |        |       |      | Left  |
|      |             | 1   | J    |        | 78   |        |       |      | Left  |

**JEEP WRANGLER (TJ)**

|               |                        |              |                       |                              |
|---------------|------------------------|--------------|-----------------------|------------------------------|
| <b>SERIES</b> | <b>LINE</b>            | <b>BODY</b>  | <b>ENGINE</b>         | <b>TRANSMISSION</b>          |
| H = Sport     | J = Wrangler 4WD       | 77 = 93.4 WB | ED1, ED0 = 2.4L DOHC  | DGG, DGD = 32RH 3 Spd. Auto. |
| L = SE        | U = Wrangler 4WD (RHD) |              | ERH = 4.0L Power Tech | DDD = 5 Speed HD Manual      |
| M = X         |                        |              |                       | DG0 = Auto. Trans.           |
| P = Sahara    |                        |              |                       | DBB = Manual Trans.          |
| S = Rubicon   |                        |              |                       | DDK = 5 Speed Manual         |

AR = Use as required - = Non illustrated part # = New this model year

August 27, 2004

## Soft Top And Windows Figure STJ-1110

| ITEM  | PART NUMBER | QTY | LINE | SERIES | BODY   | ENGINE | TRANS | TRIM | DESCRIPTION                         |
|---|-------------|-----|------|--------|--------|--------|-------|------|-------------------------------------|
| Note: 2003 Soft Top contains handed zippers for right and left quarter windows. Tailgate window contains 2 zippers. |             |     |      |        |        |        |       |      |                                     |
| 1   | 5JM59 AJ7AF | 1   |      |        | 77     |        |       |      | COVER, Soft Top                     |
|   | 5JM59 BDLAE | 1   |      |        | 77     |        |       |      | [VJB], Medium Grey                  |
|   | 5JM59 ZJ8AE | 1   |      |        | 77     |        |       |      | [VJK], Khaki                        |
|   | 5KA39 BDLAB | 1   | J    |        | 78     |        |       |      | [VJB], Medium Grey                  |
|   | 5KA39 SX9AB | 1   | J    |        | 78     |        |       |      | [VJX], Black                        |
|   | 5KA39 ZJ8AB | 1   | J    |        | 78     |        |       |      | [VJK], Khaki                        |
| 2   |             |     |      |        |        |        |       |      | WINDOW, Half Door Soft Top          |
|   | 5JH10 SX9AD | 1   |      |        |        |        |       |      | [VJX], Black, Right                 |
|   | 5JH10 ZJ8AD | 1   |      |        |        |        |       |      | [VJK], Khaki, Right                 |
|   | 5JH11 SX9AD | 1   |      |        |        |        |       |      | [VJX], Black, Left                  |
|   | 5JH11 ZJ8AD | 1   |      |        |        |        |       |      | [VJK], Khaki, Left                  |
| 3   |             |     |      |        |        |        |       |      | WINDOW, Quarter                     |
|   | 5JH08 BDLAD | 1   |      |        | 77     |        |       |      | Clear , [VJB] , Medium Grey, Right  |
|   | 5JH08 ZJ8AD | 1   |      |        | 77     |        |       |      | Clear , [VJK] , Khaki, Right        |
|   | 5JH09 BDLAD | 1   |      |        | 77     |        |       |      | Clear , [VJB] , Medium Grey         |
|   | 5JH09 ZJ8AD | 1   |      |        | 77     |        |       |      | Clear , [VJK] , Khaki, Left         |
|   | 5JH12 AJ7AD | 1   |      |        | 77     |        |       |      | Tinted , [VJG] , Green, Right       |
|   | 5JH12 BDLAD | 1   |      |        | 77     |        |       |      | Tinted , [VJB] , Medium Grey, Right |
|   | 5JH12 ZJ8AD | 1   |      |        | 77     |        |       |      | Tinted , [VJK] , Khaki, Right       |
|   | 5JH13 AJ7AD | 1   |      |        | 77     |        |       |      | Tinted , [VJG] , Green, Left        |
|   | 5JH13 BDLAD | 1   |      |        | 77     |        |       |      | Tinted , [VJB] , Medium Grey, Left  |
|   | 5JH13 ZJ8AD | 1   |      |        | 77     |        |       |      | Tinted , [VJK] , Khaki, Left        |
|   | 5JU22 BDLAA | 1   | J    |        | 78     |        |       |      | Tinted , [VJB] , Medium Grey, Right |
|   | 5JU22 ZJ8AA | 1   | J    |        | 78     |        |       |      | Tinted , [VJK] , Khaki, Right       |
|   | 5JU23 BDLAA | 1   | J    |        | 78     |        |       |      | Tinted , [VJB] , Medium Grey, Left  |
|   | 5JU23 ZJ8AA | 1   | J    |        | 78     |        |       |      | Tinted , [VJK] , Khaki, Left        |
| 4   |             |     |      |        |        |        |       |      | WINDOW, Tailgate                    |
|   | 5JH07 BDLAD | 1   |      |        | 77     |        |       |      | Clear , [VJB] , Medium Grey         |
|   | 5JH07 ZJ8AD | 1   |      |        | 77     |        |       |      | Clear , [VJK] , Khaki               |
|   | 5JH14 AJ7AD | 1   |      |        | 77, 78 |        |       |      | Tinted , [VJG] , Green              |
|   | 5JH14 BDLAD | 1   |      |        | 77, 78 |        |       |      | Tinted , [VJB] , Medium Grey        |
|   | 5JH14 ZJ8AD | 1   |      |        | 77, 78 |        |       |      | Tinted , [VJK] , Khaki              |
| 5   |             |     |      |        |        |        |       |      | FRAME, Door Glass                   |
|   | 55175 858AG | 1   |      |        | 77     |        |       |      | Right                               |
|   | 55175 859AG | 1   |      |        | 77     |        |       |      | Left                                |
|   | 55395 220AA | 1   | J    |        | 78     |        |       |      | Contains Sunrider Pin, Right        |
|   | 55395 221AA | 1   | J    |        | 78     |        |       |      | Contains Sunrider Pin, Left         |
| 6   |             |     |      |        |        |        |       |      | LATCH AND BASE, Folding Top         |

### JEEP WRANGLER (TJ)

SERIES  
H = Sport  
L = SE  
M = X  
P = Sahara  
S = Rubicon

LINE  
J = Wrangler 4WD  
U = Wrangler 4WD (RHD)

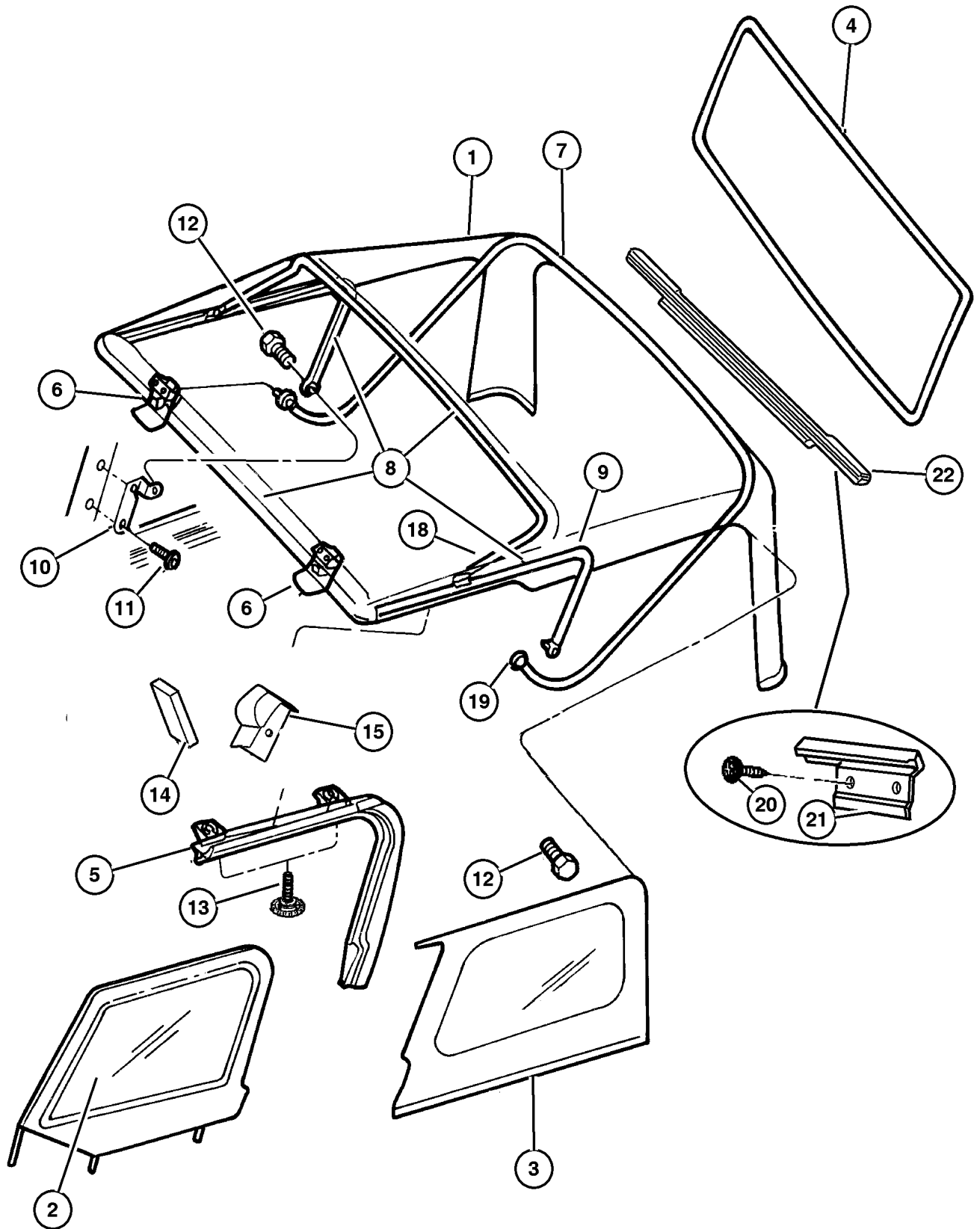
BODY  
77 = 93.4 WB

ENGINE  
ED1, ED0 = 2.4L DOHC  
ERH = 4.0L Power Tech

TRANSMISSION  
DGG, DGD = 32RH 3 Spd. Auto.  
DDD = 5 Speed HD Manual  
DGO = Auto. Trans.  
DBB = Manual Trans.  
DDK = 5 Speed Manual

AR = Use as required - = Non illustrated part # = New this model year

August 27, 2004



## Soft Top And Windows Figure STJ-1110

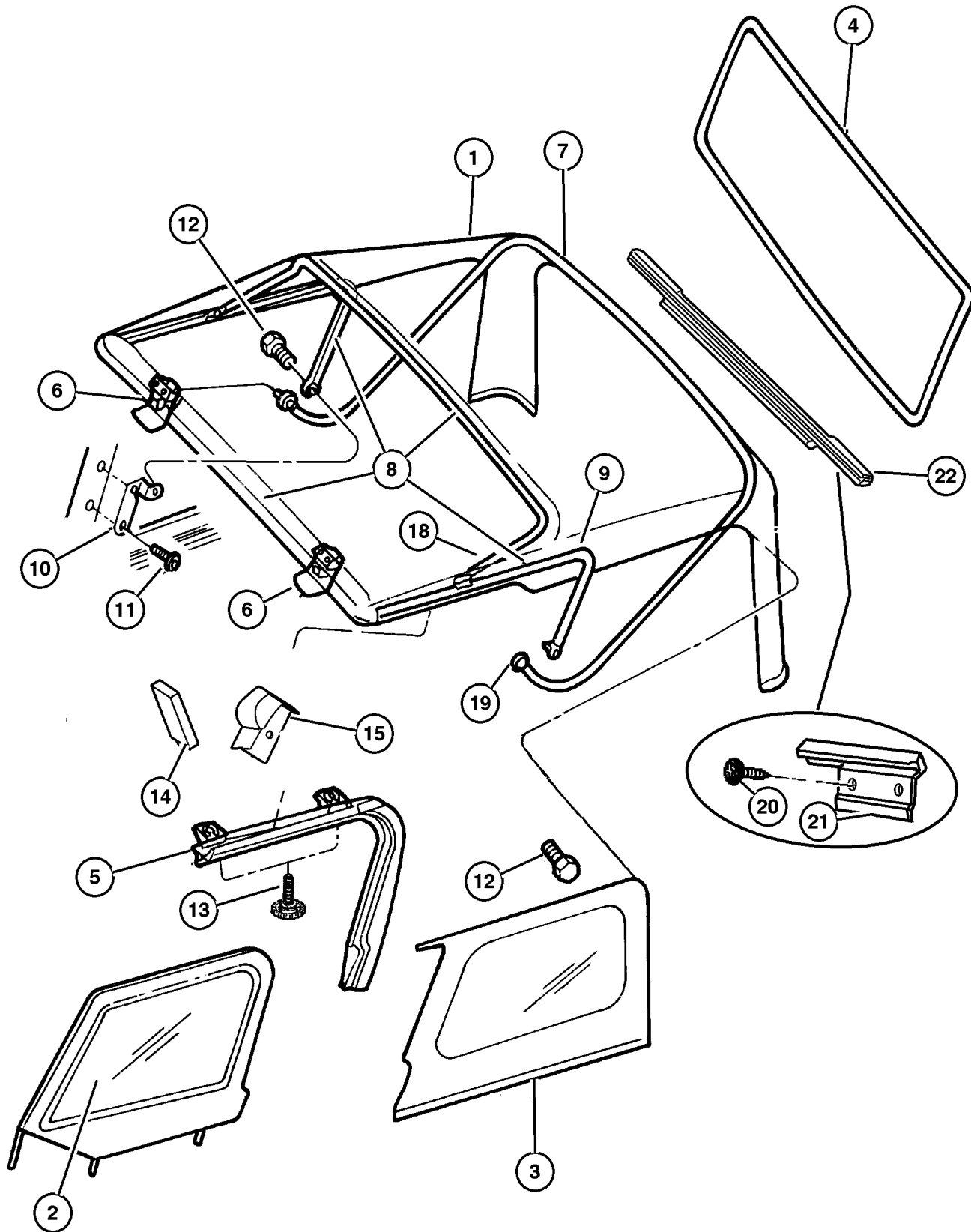
| ITEM | PART NUMBER | QTY | LINE | SERIES | BODY | ENGINE | TRANS | TRIM | DESCRIPTION  |
|------|-------------|-----|------|--------|------|--------|-------|------|--|
|      | 55176 287AC | 2   |      |        | 77   |        |       |      |  |
|      |             | 2   | J    |        | 78   |        |       |      |  |
| 7    | 55395 013AC | 1   |      |        | 77   |        |       |      | BOW, Folding Top, Number 3   |
|      | 55395 201AA | 1   | J    |        | 78   |        |       |      |  |
| 8    | 5161 643AA  | 1   | J    |        | 78   |        |       |      | BOW, Folding Top, Number 1   |
| 9    |             |     |      |        |      |        |       |      | BUMPER, Rubber   |
|      | 5517 6206   | 2   |      |        | 77   |        |       |      |  |
|      |             | 2   | J    |        | 78   |        |       |      |  |
| 10   |             |     |      |        |      |        |       |      | BRACKET, Soft Top Bow 1 & 3  |
|      | 55395 224AA | 1   | J    |        | 78   |        |       |      | Right  |
|      | 55395 225AA | 1   | J    |        | 78   |        |       |      | Left   |
|      | 55395 006AB | 1   |      |        |      |        |       |      | Right  |
|      | 55395 007AB | 1   |      |        |      |        |       |      | Left   |
| 11   | 6503 259    | 4   |      |        |      |        |       |      | SCREW, Tapping, M6x1x20  |
| 12   | 6036 311AA  | 4   |      |        |      |        |       |      | SCREW, Shoulder  |
| 13   | 5517 6198   | 4   |      |        |      |        |       |      | PIN, Release Lever   |
| 14   |             |     |      |        |      |        |       |      | SEAL, Door, Also Serviced in Frame Door Glass, (NOT SERVICED) (Not Serviced) |
| 15   |             |     |      |        |      |        |       |      | SEAL, Header Top And Side Rail   |
|      | 55176 722AC | 1   |      |        | 77   |        |       |      | Right  |
|      |             | 1   | J    |        | 78   |        |       |      | Right  |
|      | 55176 723AC | 1   |      |        | 77   |        |       |      | Left   |
|      |             | 1   | J    |        | 78   |        |       |      | Left   |
| -16  |             |     |      |        |      |        |       |      | STRAP, Retaining   |
|      | 55176 444AB | 2   |      |        | 77   |        |       |      |  |
|      | 55395 205AB | 1   | J    |        | 78   |        |       |      |  |
| -17  |             |     |      |        |      |        |       |      | BOOT, Folding Top  |
|      | 5FZ85 BX7AB | 1   |      |        | 77   |        |       |      | [VJB]  |
|      |             | 1   |      |        | 77   |        |       |      | [VJK]  |
| 18   |             |     |      |        |      |        |       |      | KNUCKLE, Rear  |
|      | 55175 813AC | 2   |      |        | 77   |        |       |      |  |
|      |             | 2   | J    |        | 78   |        |       |      |  |
| 19   |             |     |      |        |      |        |       |      | KNUCKLE, Rear  |
|      | 55176 064AC | 2   |      |        | 77   |        |       |      |  |
|      |             | 2   | J    |        | 78   |        |       |      |  |
| 20   |             |     |      |        |      |        |       |      | SCREW AND WASHER, [.164-18x.625], (NOT SERVICED) (Not Serviced)              |
| 21   |             |     |      |        |      |        |       |      | CLIP, Tailgate Opening   |

### JEEP WRANGLER (TJ)

|             |                        |              |                       |                              |
|-------------|------------------------|--------------|-----------------------|------------------------------|
| SERIES      | LINE                   | BODY         | ENGINE                | TRANSMISSION                 |
| H = Sport   | J = Wrangler 4WD       | 77 = 93.4 WB | ED1, ED0 = 2.4L DOHC  | DGG, DGD = 32RH 3 Spd. Auto. |
| L = SE      | U = Wrangler 4WD (RHD) |              | ERH = 4.0L Power Tech | DDD = 5 Speed HD Manual      |
| M = X       |                        |              |                       | DG0 = Auto. Trans.           |
| P = Sahara  |                        |              |                       | DBB = Manual Trans.          |
| S = Rubicon |                        |              |                       | DDK = 5 Speed Manual         |

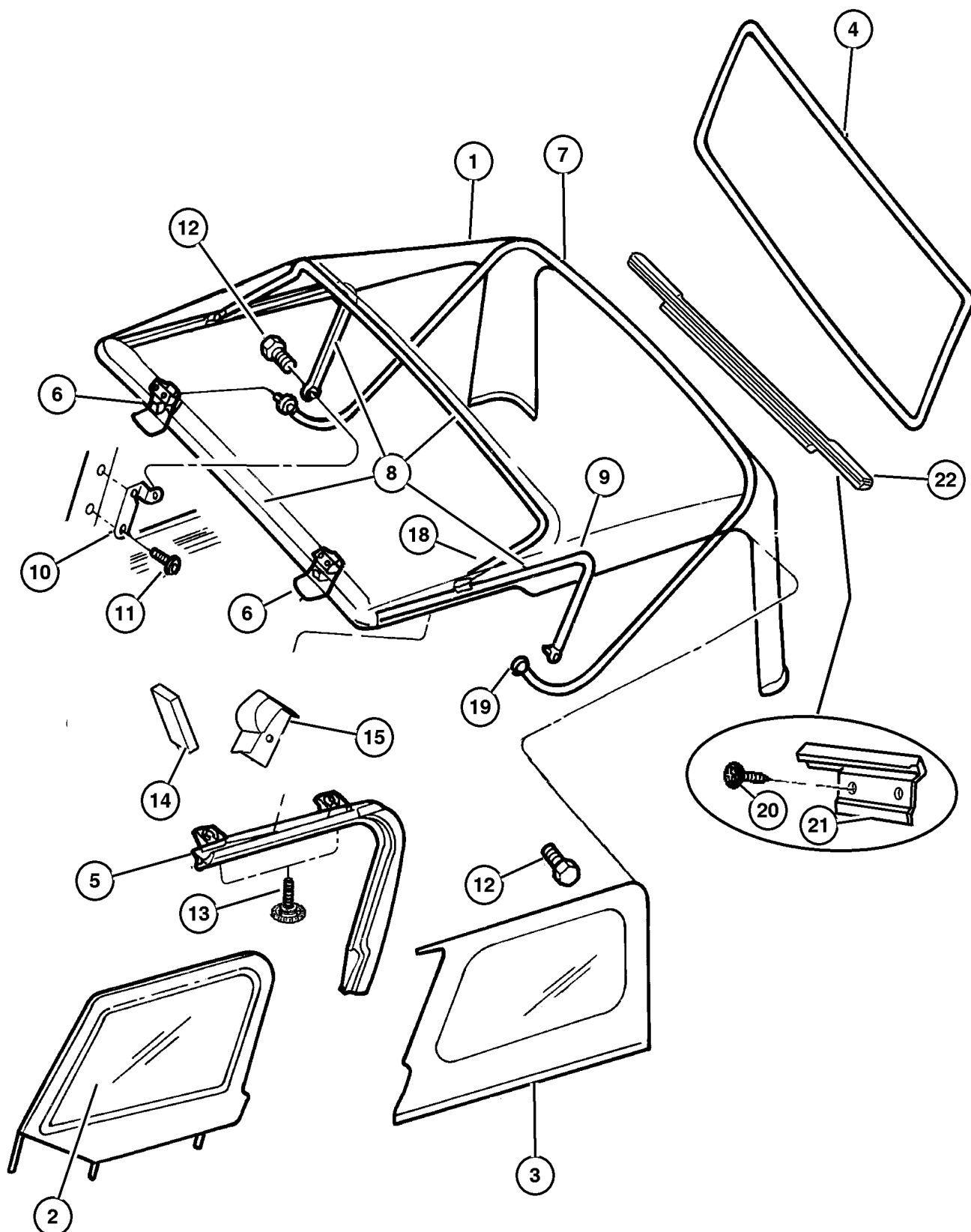
AR = Use as required - = Non illustrated part # = New this model year

August 27, 2004



## Soft Top And Windows Figure STJ-1110

| ITEM | PART NUMBER | QTY | LINE | SERIES | BODY   | ENGINE | TRANS | TRIM | DESCRIPTION   |
|------|-------------|-----|------|--------|--------|--------|-------|------|---|
|      | 55176 738AA | 1   |      |        | 77, 78 |        |       |      | Right   |
|      | 55176 739AA | 1   |      |        | 77, 78 |        |       |      | Left  |
| 22   | 55176 736AC | 1   |      |        |        |        |       |      | RETAINER, Soft Top Rail                                 |
| -23  | 55177 245AB | 1   |      |        | 77     |        |       |      | TOOL, Wrench  |
| -24  | 55395 163AB | 1   |      |        |        |        |       |      | STRAP KIT, Velcro, Used For Tie<br>Down Top When Folded |
| -25  | 5166 003AA  | 1   | J    |        | 78     |        |       |      | RAIL, Plunger Assembly                                  |
| -26  | 55364 482AA | 1   | J    |        | 78     |        |       |      | STRAP, Side Bar Hold Down                               |
| -27  | 5166 016AA  | 1   | J    |        | 78     |        |       |      | SLEEVE, Sun rider top                                   |



**JEEP WRANGLER (TJ)**

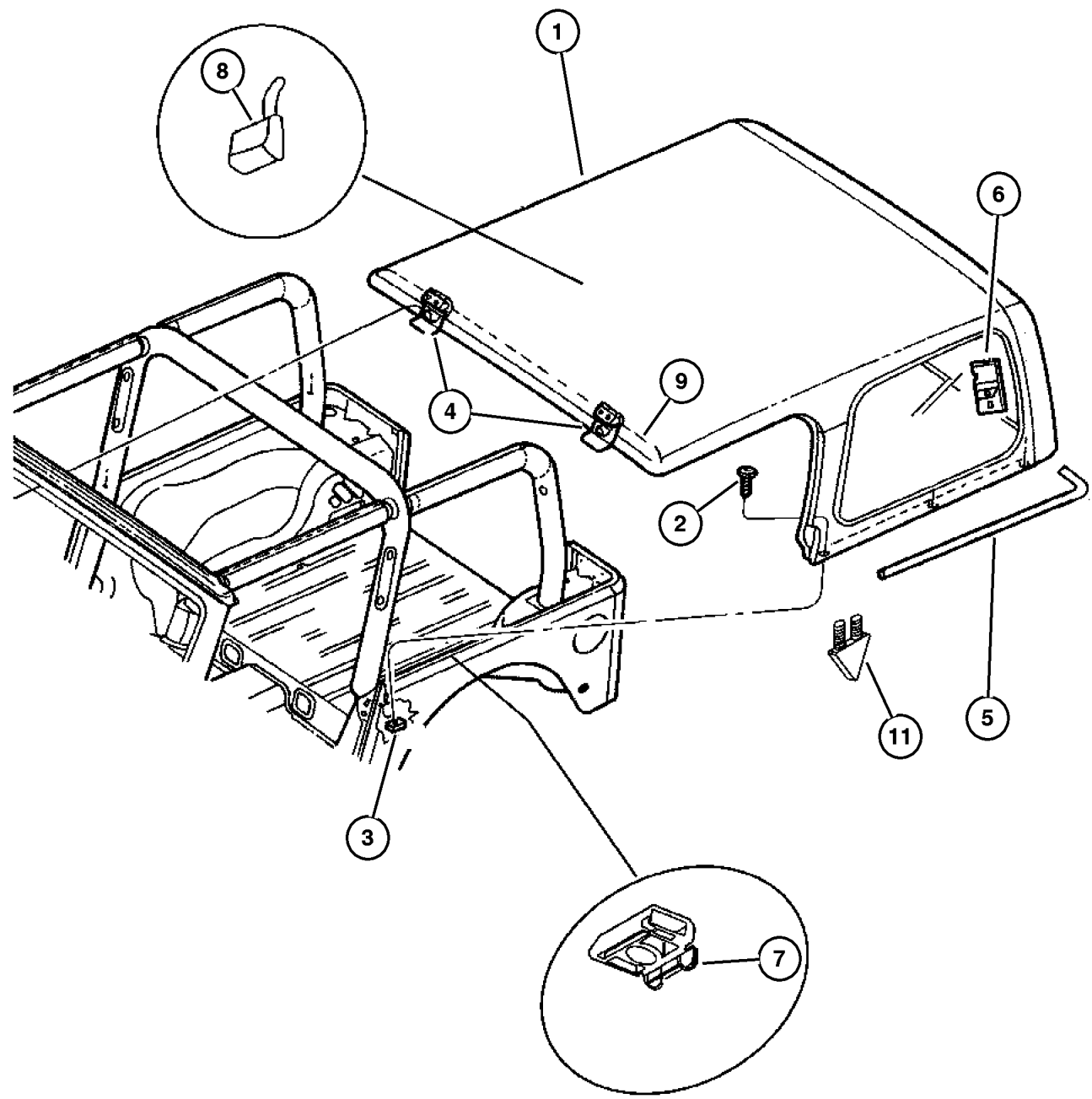
|             |                        |              |                       |                              |
|-------------|------------------------|--------------|-----------------------|------------------------------|
| SERIES      | LINE                   | BODY         | ENGINE                | TRANSMISSION                 |
| H = Sport   | J = Wrangler 4WD       | 77 = 93.4 WB | ED1, ED0 = 2.4L DOHC  | DGG, DGD = 32RH 3 Spd. Auto. |
| L = SE      | U = Wrangler 4WD (RHD) |              | ERH = 4.0L Power Tech | DDD = 5 Speed HD Manual      |
| M = X       |                        |              |                       | DG0 = Auto. Trans.           |
| P = Sahara  |                        |              |                       | DBB = Manual Trans.          |
| S = Rubicon |                        |              |                       | DDK = 5 Speed Manual         |

AR = Use as required - = Non illustrated part # = New this model year

August 27, 2004

Top Enclosure, Hard  
Figure STJ-1120

| ITEM | PART NUMBER | QTY | LINE | SERIES | BODY | ENGINE | TRANS | TRIM | DESCRIPTION                 |
|------|-------------|-----|------|--------|------|--------|-------|------|-----------------------------|
| 1    |             |     |      |        |      |        |       |      | HARDTOP, Shell Only         |
|      | 5GN27 BDLAR | 1   |      |        | 77   |        |       |      | [VKB] , Medium Grey         |
|      | 5GN27 HCXAP | 1   |      |        | 77   |        |       |      | [VKX] , Black               |
|      | 5GN27 ZJ8AR | 1   |      |        | 77   |        |       |      | [VKK] , Khaki               |
|      | 5JR94 BDLAE | 1   | J    |        | 78   |        |       |      | [VKB] , Medium Grey         |
|      | 5JR94 HCXAE | 1   | J    |        | 78   |        |       |      | [VKX] , Black               |
|      | 5JR94 ZJ8AE | 1   | J    |        | 78   |        |       |      | [VKK] , Khaki               |
| 2    | 6506 826AA  | 2   | J    |        | 78   |        |       |      | SCREW, [.312-18x1.250]      |
| 3    | 6506 825AA  | 4   |      |        |      |        |       |      | NUT                         |
| 4    |             |     |      |        |      |        |       |      | LATCH AND BASE, Folding Top |
|      | 55175 816AC | 2   |      |        | 77   |        |       |      |                             |
|      |             | 2   | J    |        | 78   |        |       |      |                             |
| 5    |             |     |      |        |      |        |       |      | SEAL, Enclosure To Body     |
|      | 55176 372AC | 1   |      |        | 77   |        |       |      | Right                       |
|      | 55176 373AC | 1   |      |        | 77   |        |       |      | Left                        |
|      | 55395 188AA | 1   | J    |        | 78   |        |       |      | Right                       |
|      | 55395 189AA | 1   | J    |        | 78   |        |       |      | Left                        |
| 6    |             |     |      |        |      |        |       |      | COVER, Wiring Protector     |
|      | 55395 146AA | 1   |      |        | 77   |        |       |      |                             |
|      |             | 1   | J    |        | 78   |        |       |      |                             |
| 7    | 55176 746AC | 4   |      |        |      |        |       |      | RETAINER, Folding Top Deck  |
|      |             |     |      |        |      |        |       |      | Closure                     |
| 8    | 55177 489AA | 1   |      |        |      |        |       |      | ISOLATOR, FOAM              |
| 9    |             |     |      |        |      |        |       |      | PANEL, Rear Header          |
|      | 5JB31 SWBAA | 1   |      |        |      |        |       |      | [VKB]                       |
|      |             | 1   |      |        |      |        |       |      | [VKK]                       |
| -10  | 55177 245AB | 1   |      |        | 77   |        |       |      | TOOL, Wrench                |
| 11   | 55395 147AA | 2   |      |        |      |        |       |      | PIN, Locating               |
| -12  | 55177 246AA | 2   |      |        | 77   |        |       |      | SEAL                        |



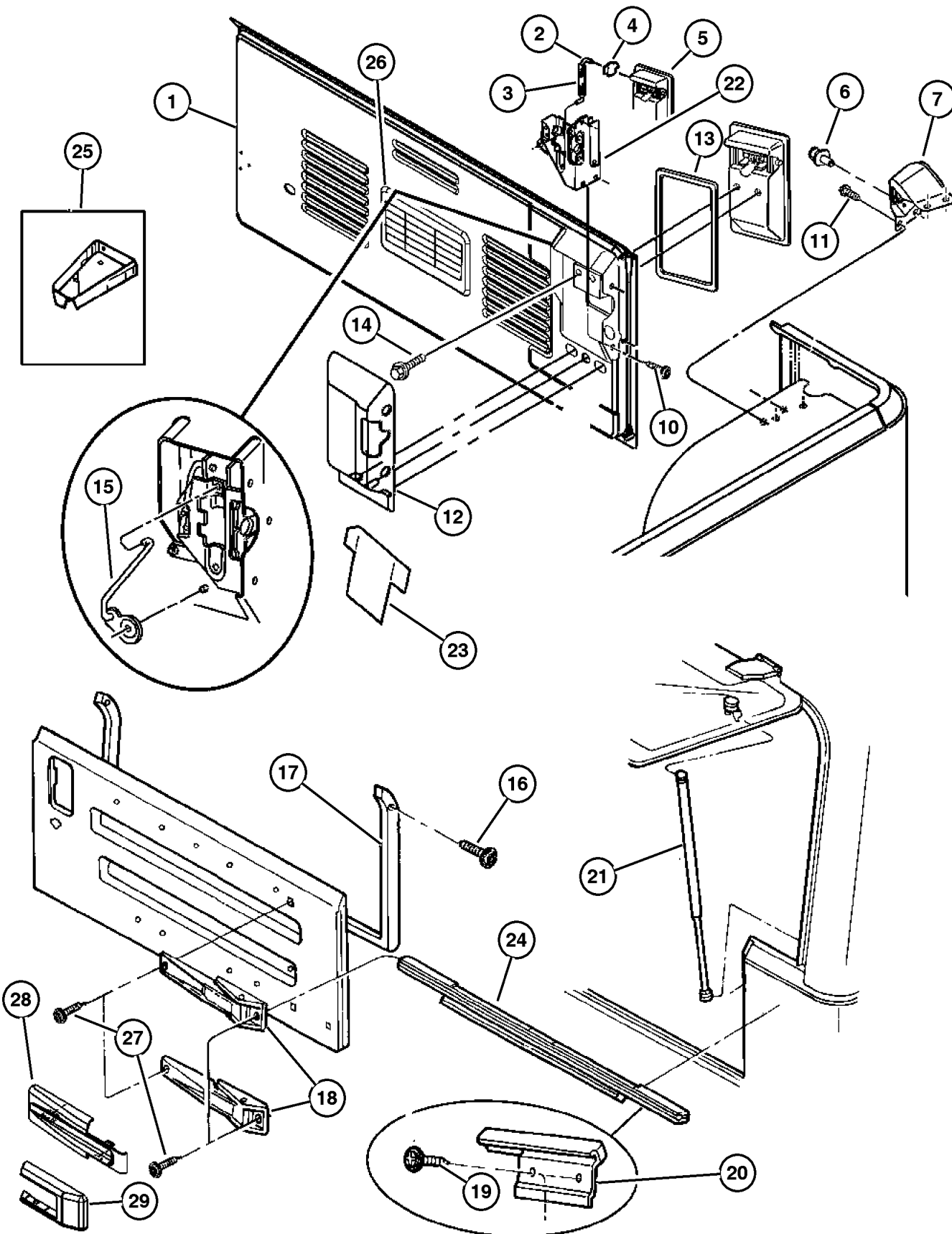
JEEP WRANGLER (TJ)

|             |                        |              |                       |                              |
|-------------|------------------------|--------------|-----------------------|------------------------------|
| SERIES      | LINE                   | BODY         | ENGINE                | TRANSMISSION                 |
| H = Sport   | J = Wrangler 4WD       | 77 = 93.4 WB | ED1, ED0 = 2.4L DOHC  | DGG, DGD = 32RH 3 Spd. Auto. |
| L = SE      | U = Wrangler 4WD (RHD) |              | ERH = 4.0L Power Tech | DDD = 5 Speed HD Manual      |
| M = X       |                        |              |                       | DG0 = Auto. Trans.           |
| P = Sahara  |                        |              |                       | DBB = Manual Trans.          |
| S = Rubicon |                        |              |                       | DDK = 5 Speed Manual         |

AR = Use as required - = Non illustrated part # = New this model year

August 27, 2004

Tailgate  
Figure STJ-1310



| ITEM | PART NUMBER | QTY | LINE | SERIES | BODY | ENGINE | TRANS | TRIM | DESCRIPTION   |
|------|-------------|-----|------|--------|------|--------|-------|------|---|
| 1    | 55176 340AG | 1   |      |        |      |        |       |      | TAILGATE, See Note  |
| 2    | 55008 127AB | 1   |      |        |      |        |       |      | ROD, Tailgate Handle to Latch   |
| 3    |             |     |      |        |      |        |       |      | SLEEVE, Anti-Rattle, Handle to Latch Rod, (NOT SERVICED) (Not Serviced)               |
| 4    | 4658 677    | 1   |      |        |      |        |       |      | CLIP, Latch Link  |
| 5    | 55176 547AB | 1   |      |        |      |        |       |      | HANDLE, Liftgate  |
| 6    | 55177 243AB | 1   |      |        |      |        |       |      | PIN, Latch Striker  |
| 7    | 55176 450AE | 1   |      |        |      |        |       |      | BRACKET, Tailgate Striker   |
| -8   |             |     |      |        |      |        |       |      | RIVET, Dome Head Blind, .125x.275, Serviced in Bracket, (NOT SERVICED) (Not Serviced) |
| -9   | 5500 1286   | 1   |      |        |      |        |       |      | PLATE, Door Lock Striker, Serviced in Bracket   |
| 10   | J400 7536   | 2   |      |        |      |        |       |      | SCREW AND WASHER, Tapping, .312-18x.120   |
| 11   | 6505 070AA  | 4   |      |        |      |        |       |      | SCREW, Pan Head   |
| 12   | 55395 100AA | 1   |      |        |      |        |       |      | COVER, Tailgate Latch   |
| 13   | J374 3608   | 1   |      |        |      |        |       |      | SEAL, Handle, Outside Door Handle   |
| 14   | 6034 980    | 2   |      |        |      |        |       |      | SCREW, Pan Head, .19-24x.437  |
| 15   | 5507 6011   | 1   |      |        |      |        |       |      | LINK, Key Cylinder To Latch   |
| 16   |             |     |      |        |      |        |       |      | SCREW, .164-18x.625, (NOT SERVICED) (Not Serviced)                                    |
| 17   | 55175 043AH | 1   |      |        |      |        |       |      | WEATHERSEAL, Tailgate   |
| 18   | 55395 194AA | 2   |      |        |      |        |       |      | HINGE, Tailgate, After 12/19/03   |
| 19   |             |     |      |        |      |        |       |      | SCREW AND WASHER, [.164-18x.625], (NOT SERVICED) (Not Serviced)                       |
| 20   |             |     |      |        |      |        |       |      | CLIP, Tailgate Opening  |
|      | 55176 738AA | 1   |      |        |      | 77, 78 |       |      | Right   |
|      | 55176 739AA | 1   |      |        |      | 77, 78 |       |      | Left  |
| 21   | 55076 310AD | 2   |      |        |      |        |       |      | PROP, Liftgate  |
| 22   | 55074 947AC | 1   |      |        |      |        |       |      | LATCH, Tailgate   |
| 23   | 5502 5280   | 1   |      |        |      |        |       |      | WATERSHIELD, Tailgate Latch   |
| 24   | 55176 736AC | 1   |      |        |      |        |       |      | RETAINER, Soft Top Rail   |
| 25   |             |     |      |        |      |        |       |      | REINFORCEMENT, Tailgate Hinge   |
|      | 55236 044AB | 1   |      |        |      | 77     |       |      |   |
|      | 56052 359AB | 1   | J    |        |      | 78     |       |      |   |
| 26   | 55055 998AD | 1   |      |        |      |        |       |      | EXHAUSTER, Bodyside Aperture  |
| 27   | 6035 053    | 4   |      |        |      |        |       |      | SCREW AND WASHER, Hex Head, .312-18x1.125, After 12/19/03                             |

JEEP WRANGLER (TJ)

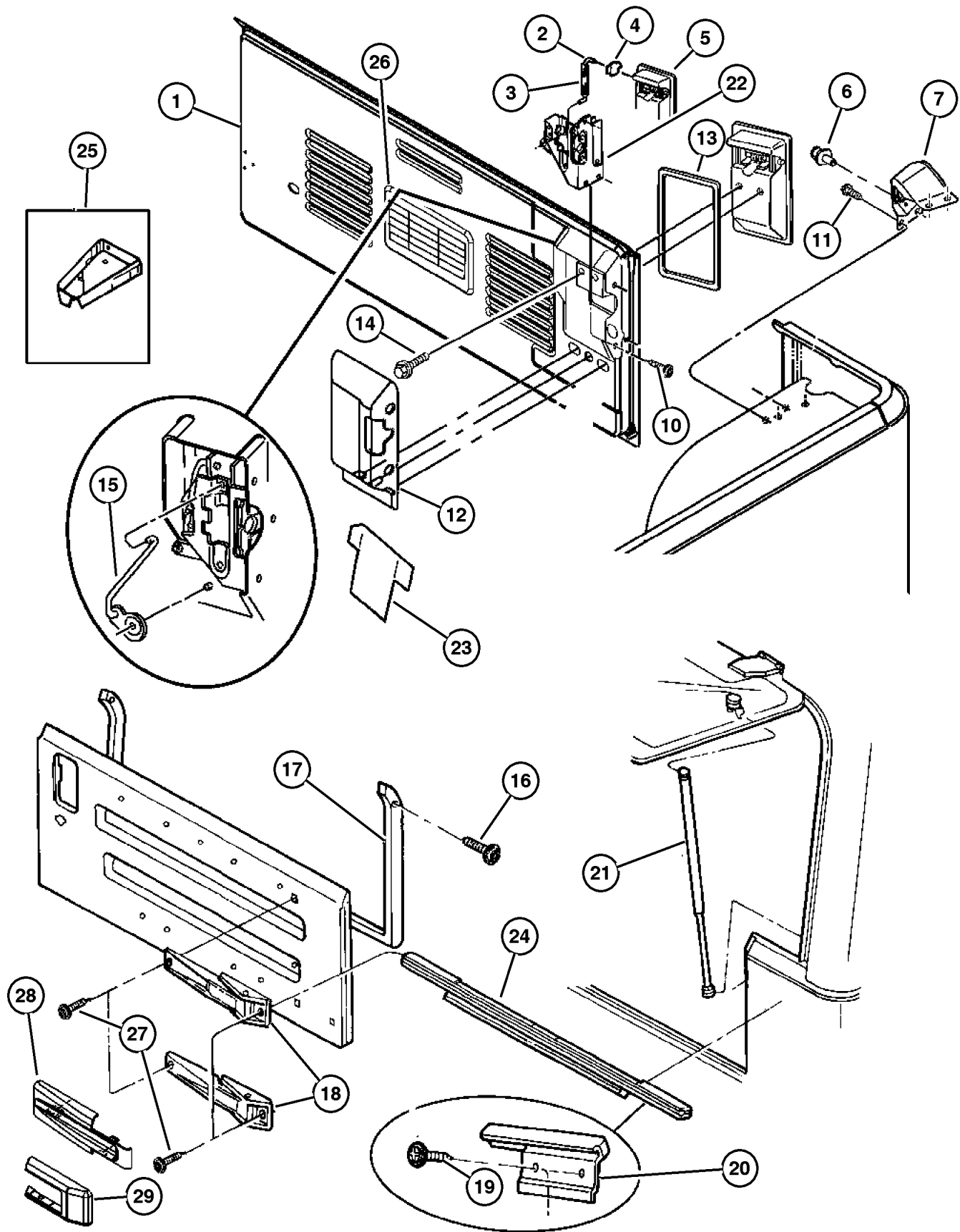
|             |                        |              |                       |                              |
|-------------|------------------------|--------------|-----------------------|------------------------------|
| SERIES      | LINE                   | BODY         | ENGINE                | TRANSMISSION                 |
| H = Sport   | J = Wrangler 4WD       | 77 = 93.4 WB | ED1, ED0 = 2.4L DOHC  | DGG, DGD = 32RH 3 Spd. Auto. |
| L = SE      | U = Wrangler 4WD (RHD) |              | ERH = 4.0L Power Tech | DDD = 5 Speed HD Manual      |
| M = X       |                        |              |                       | DG0 = Auto. Trans.           |
| P = Sahara  |                        |              |                       | DBB = Manual Trans.          |
| S = Rubicon |                        |              |                       | DDK = 5 Speed Manual         |

AR = Use as required - = Non illustrated part # = New this model year

August 27, 2004



Tailgate  
Figure STJ-1310



| ITEM | PART NUMBER | QTY | LINE | SERIES | BODY   | ENGINE | TRANS | TRIM | DESCRIPTION                      |
|------|-------------|-----|------|--------|--------|--------|-------|------|----------------------------------|
| 28   | 55395 195AA | 2   |      |        | 77, 78 |        |       |      | COVER, Tailgate Hinge, Body Half |
| 29   | 55395 195AA | 2   |      |        | 77, 78 |        |       |      | COVER, Tailgate Hinge, Hinge     |

JEEP WRANGLER (TJ)

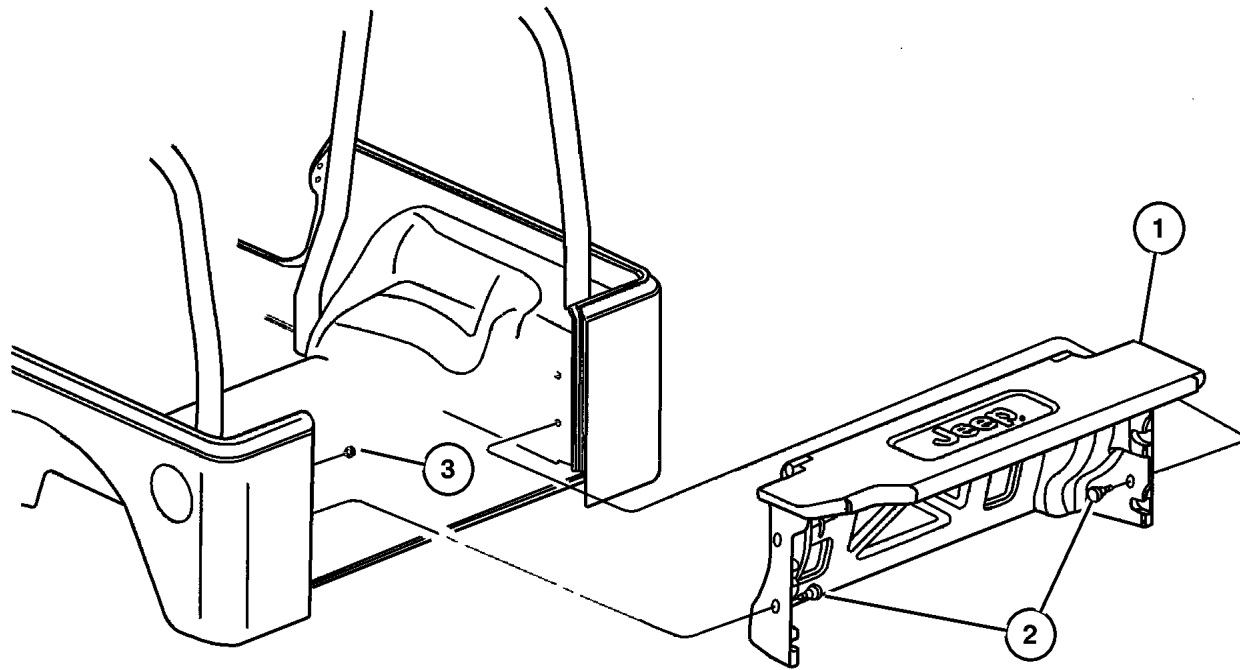
| SERIES      | LINE                   | BODY         | ENGINE                | TRANSMISSION                 |
|-------------|------------------------|--------------|-----------------------|------------------------------|
| H = Sport   | J = Wrangler 4WD       | 77 = 93.4 WB | ED1, ED0 = 2.4L DOHC  | DGG, DGD = 32RH 3 Spd. Auto. |
| L = SE      | U = Wrangler 4WD (RHD) |              | ERH = 4.0L Power Tech | DDD = 5 Speed HD Manual      |
| M = X       |                        |              |                       | DG0 = Auto. Trans.           |
| P = Sahara  |                        |              |                       | DBB = Manual Trans.          |
| S = Rubicon |                        |              |                       | DDK = 5 Speed Manual         |

AR = Use as required - = Non illustrated part # = New this model year

August 27, 2004

**Add-a-Trunk  
Figure STJ-1320**

| ITEM | PART NUMBER | QTY | LINE | SERIES | BODY | ENGINE | TRANS | TRIM | DESCRIPTION                         |
|------|-------------|-----|------|--------|------|--------|-------|------|-------------------------------------|
| 1    | 5GY84 1DVAE | 1   |      |        |      |        |       |      | PANEL, Add A Trunk                  |
| 2    | 55352 813AA | 4   |      |        |      |        |       |      | KNOB                                |
| 3    |             |     |      |        |      |        |       |      | PLUG, (NOT SERVICED) (Not Serviced) |

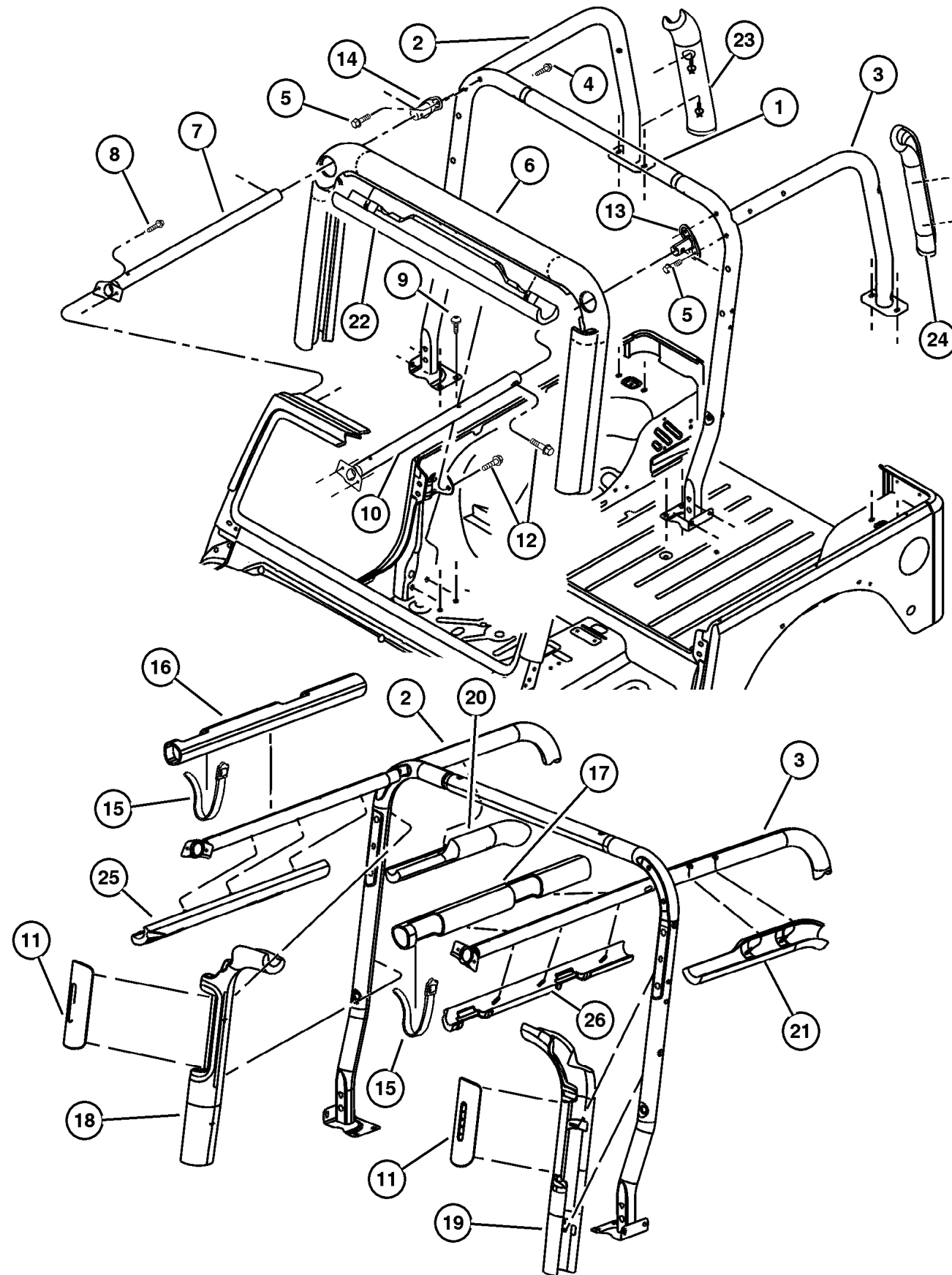


|                           |                        |              |                       |                              |
|---------------------------|------------------------|--------------|-----------------------|------------------------------|
| <b>JEEP WRANGLER (TJ)</b> |                        |              |                       |                              |
| SERIES                    | LINE                   | BODY         | ENGINE                | TRANSMISSION                 |
| H = Sport                 | J = Wrangler 4WD       | 77 = 93.4 WB | ED1, ED0 = 2.4L DOHC  | DGG, DGD = 32RH 3 Spd. Auto. |
| L = SE                    | U = Wrangler 4WD (RHD) |              | ERH = 4.0L Power Tech | DDD = 5 Speed HD Manual      |
| M = X                     |                        |              |                       | DG0 = Auto. Trans.           |
| P = Sahara                |                        |              |                       | DBB = Manual Trans.          |
| S = Rubicon               |                        |              |                       | DDK = 5 Speed Manual         |

AR = Use as required - = Non illustrated part # = New this model year

August 27, 2004

## Sport Bar Wrangler Figure STJ-1610



| ITEM | PART NUMBER | QTY | LINE | SERIES | BODY   | ENGINE | TRANS | TRIM | DESCRIPTION                               |
|------|-------------|-----|------|--------|--------|--------|-------|------|---|
| 1    |             |     |      |        |        |        |       |      | BAR, Sport                                |
|      | 55176 023AE | 1   |      |        | 77     |        |       |      | Center                                    |
|      |             | 1   | J    |        | 78     |        |       |      | Center                                    |
| 2    |             |     |      |        |        |        |       |      | BAR, Sport                                |
|      | 55176 488AF | 1   |      |        | 77     |        |       |      | Right                                     |
|      | 56052 352AB | 1   | J    |        | 78     |        |       |      | Right                                     |
| 3    |             |     |      |        |        |        |       |      | BAR, Sport                                |
|      | 55176 489AF | 1   |      |        | 77     |        |       |      | Left                                      |
|      | 56052 353AB | 1   | J    |        | 78     |        |       |      | Left                                      |
| 4    | 6035 970AA  | 2   |      |        |        |        |       |      | SCREW, Pan Head, Side Bar to Bracket      |
| 5    | 6507 373AA  | 4   |      |        |        |        |       |      | SCREW AND WASHER                          |
| 6    |             |     |      |        |        |        |       |      | PAD, Sport Bar, Center                    |
|      | 5HM18 DX9AF | 1   |      |        | 77     |        |       |      | Black                                     |
|      | 5JQ64 ZJ3AB | 1   |      |        | 77     |        |       |      | Khaki                                     |
|      | 5JR60 DX9AC | 1   | J    |        | 78     |        |       |      | Black                                     |
| 7    | 55176 504AE | 1   |      |        |        |        |       |      | SIDE BAR, Sport Bar, Right                |
| 8    | 6504 050    | 4   |      |        |        |        |       |      | SCREW, M8x1.25x25, Bar to Windshield      |
| 9    | 6035 935AA  | 12  |      |        |        |        |       |      | SCREW AND WASHER, Bar to Floor Pan        |
| 10   | 55176 505AE | 1   |      |        |        |        |       |      | SIDE BAR, Sport Bar, Left                 |
| 11   |             |     |      |        |        |        |       |      | COVER, Turning Loop                       |
|      | 5HM32 DX9AC | 1   |      |        |        |        |       |      | Black, Right                              |
|      | 5HM33 DX9AC | 1   |      |        |        |        |       |      | Black, Left                               |
| 12   | 6035 970AA  | 2   |      |        |        |        |       |      | SCREW, Pan Head                           |
| 13   | 55176 507AC | 1   |      |        |        |        |       |      | BRACKET, Side, Left                       |
| 14   | 55176 506AC | 1   |      |        |        |        |       |      | BRACKET, Side, Right                      |
| 15   | 55015 916AC | 3   |      |        | 61, 77 |        |       |      | STRAP, Side Bar Hold Down                 |
| 16   | 5HM16 DX9AD | 1   |      |        |        |        |       |      | PAD, Sport Bar, Black, Right              |
| 17   | 5HM17 DX9AD | 1   |      |        |        |        |       |      | PAD, Sport Bar, Black, Left               |
| 18   | 55352 866AC | 1   |      |        |        |        |       |      | PAD, Sport Bar, Lower Right               |
| 19   | 55352 867AC | 1   |      |        |        |        |       |      | PAD, Sport Bar, Lower Left                |
| 20   |             |     |      |        |        |        |       |      | PAD, Sport Bar                            |
|      | 55352 868AB | 1   |      |        | 77     |        |       |      | Upper Right                               |
|      | 56052 320AA | 1   | J    |        | 78     |        |       |      | Upper Right                               |
| 21   |             |     |      |        |        |        |       |      | PAD, Sport Bar                            |
|      | 55352 869AB | 1   |      |        | 77     |        |       |      | Upper Left                                |
|      | 56052 321AA | 1   | J    |        | 78     |        |       |      | Upper Left                                |
| 22   | 55352 870AC | 1   |      |        |        |        |       |      | PAD, Sport Bar, Without Sound Bar, Center |
| 23   |             |     |      |        |        |        |       |      | PAD, Sport Bar                            |

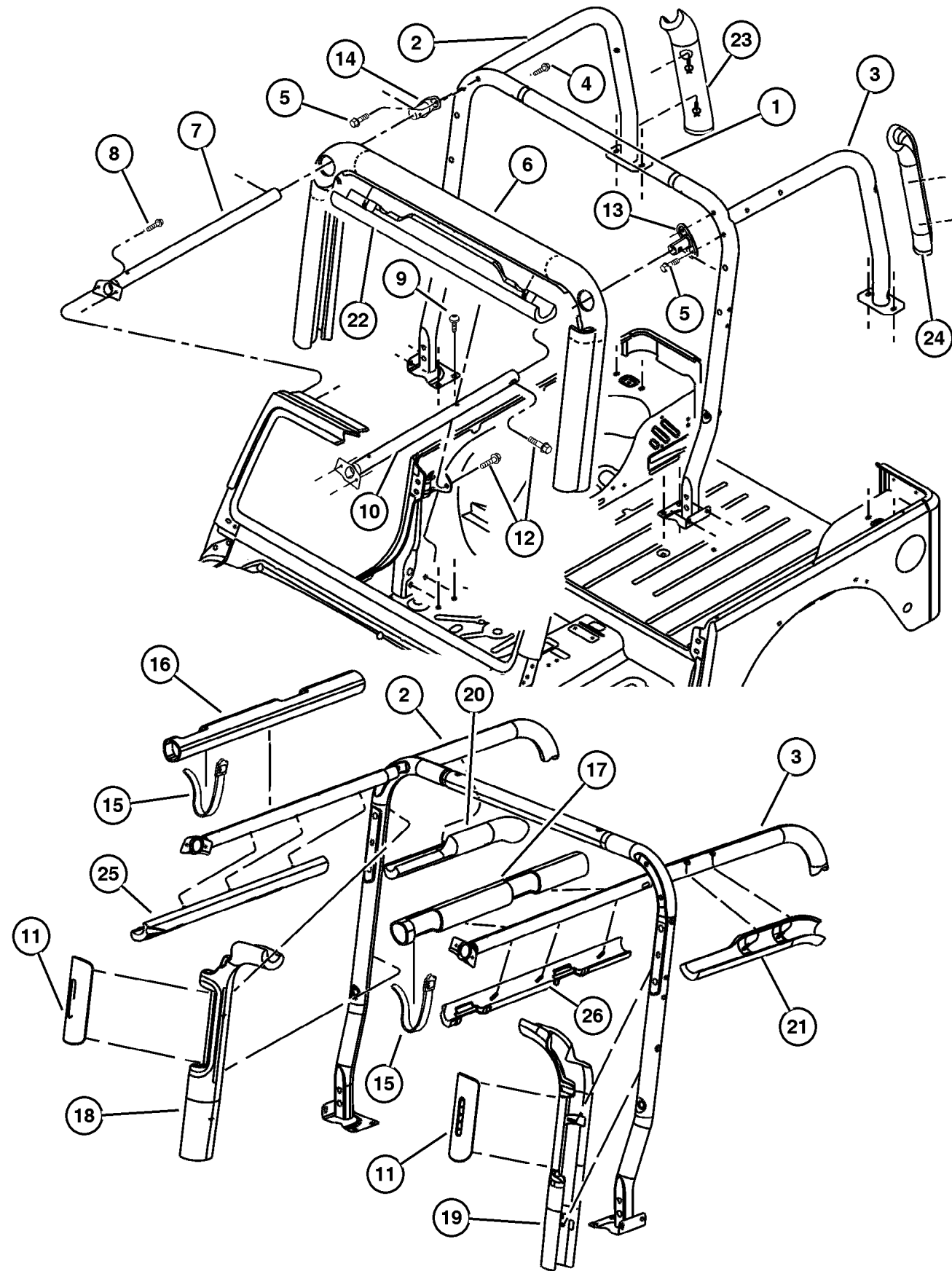
### JEEP WRANGLER (TJ)

|             |                        |              |                       |                              |
|-------------|------------------------|--------------|-----------------------|------------------------------|
| SERIES      | LINE                   | BODY         | ENGINE                | TRANSMISSION                 |
| H = Sport   | J = Wrangler 4WD       | 77 = 93.4 WB | ED1, ED0 = 2.4L DOHC  | DGG, DGD = 32RH 3 Spd. Auto. |
| L = SE      | U = Wrangler 4WD (RHD) |              | ERH = 4.0L Power Tech | DDD = 5 Speed HD Manual      |
| M = X       |                        |              |                       | DG0 = Auto. Trans.           |
| P = Sahara  |                        |              |                       | DBB = Manual Trans.          |
| S = Rubicon |                        |              |                       | DDK = 5 Speed Manual         |

AR = Use as required - = Non illustrated part # = New this model year

August 27, 2004

**Sport Bar Wrangler  
Figure STJ-1610**



| ITEM | PART NUMBER | QTY | LINE | SERIES | BODY   | ENGINE | TRANS | TRIM | DESCRIPTION                 |
|------|-------------|-----|------|--------|--------|--------|-------|------|-----------------------------|
|      | 55352 872AB | 1   |      |        | 77     |        |       |      | Rear Lower Right Side       |
|      | 56052 322AA | 1   | J    |        | 78     |        |       |      | Rear Lower Right Side       |
| 24   | 55352 873AB | 1   |      |        | 77     |        |       |      | PAD, Sport Bar              |
|      | 56052 323AA | 1   | J    |        | 78     |        |       |      | Rear Lower Left Side        |
| 25   | 55352 874AC | 1   |      |        |        |        |       |      | PAD, Sport Bar, Front Right |
| 26   | 55352 875AC | 1   |      |        |        |        |       |      | PAD, Sport Bar, Front Left  |
| -27  | 55196 450AC | 2   |      |        | 61, 77 |        |       |      | STRAP, Retaining            |

**JEEP WRANGLER (TJ)**

|             |                        |              |                       |                              |
|-------------|------------------------|--------------|-----------------------|------------------------------|
| SERIES      | LINE                   | BODY         | ENGINE                | TRANSMISSION                 |
| H = Sport   | J = Wrangler 4WD       | 77 = 93.4 WB | ED1, ED0 = 2.4L DOHC  | DGG, DGD = 32RH 3 Spd. Auto. |
| L = SE      | U = Wrangler 4WD (RHD) |              | ERH = 4.0L Power Tech | DDD = 5 Speed HD Manual      |
| M = X       |                        |              |                       | DG0 = Auto. Trans.           |
| P = Sahara  |                        |              |                       | DBB = Manual Trans.          |
| S = Rubicon |                        |              |                       | DDK = 5 Speed Manual         |

AR = Use as required - = Non illustrated part # = New this model year

August 27, 2004

# Group – LBLS

## Labels All Vehicle Locations

### GROUP LBLS - Labels All Vehicle Locations

Illustration Title

Group-Fig. No.

#### Interior

Instrument Panel, Visors and Trim ..... Fig. LBLS-110

#### Under Hood

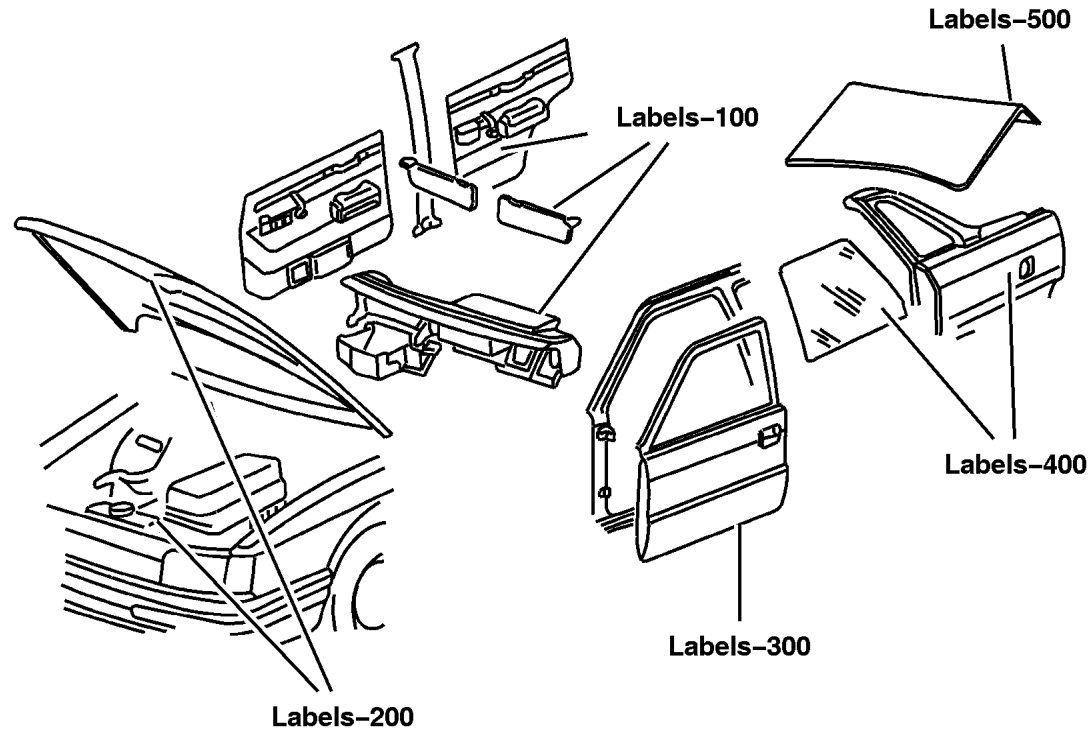
Engine Compartment ..... Fig. LBLS-210

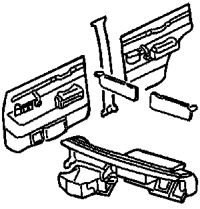


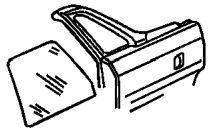
#### Doors

Doors and Pillars ..... Fig. LBLS-310

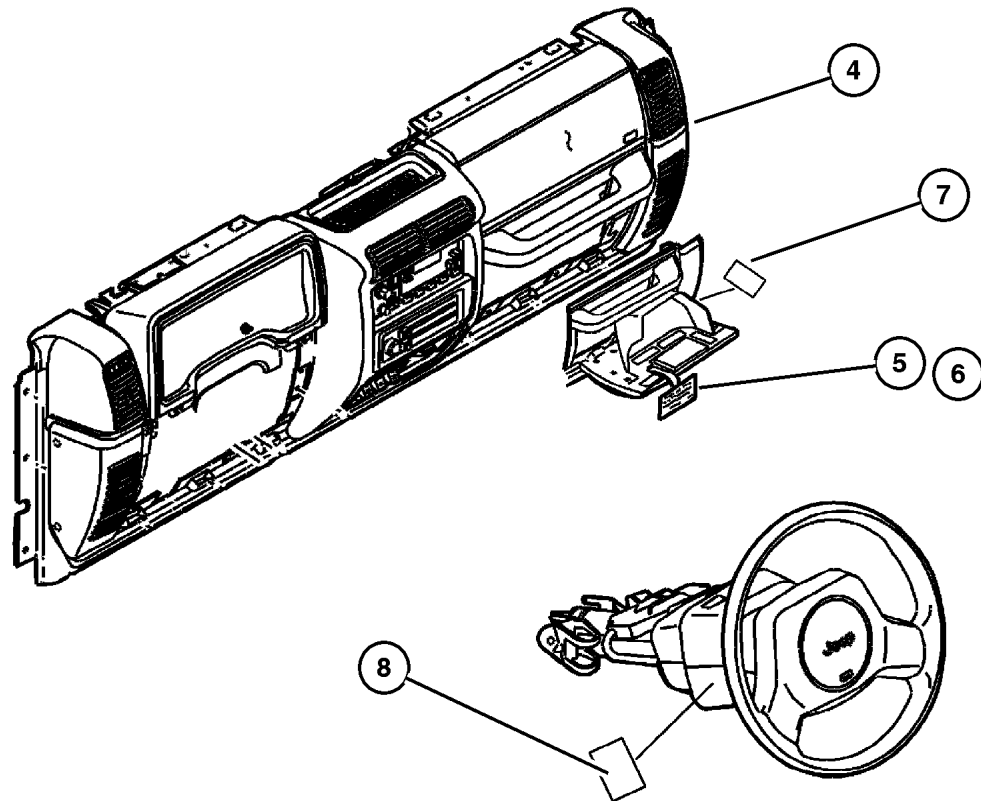
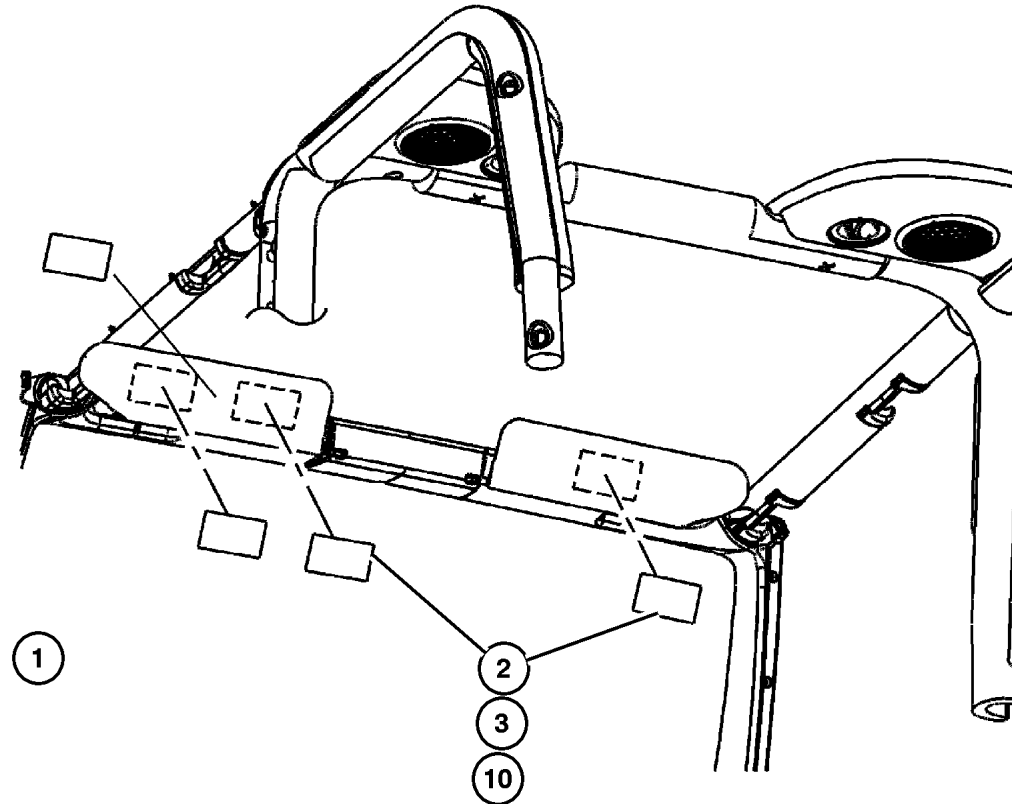
#### Exterior

Spare Tire ..... Fig. LBLS-410



| LBLS-100<br>Interior  | LBLS-200<br>Under Hood  | LBLS-300<br>Doors   | LBLS-400<br>Exterior  |
|---|---|---|---|
|  |  |  |  |

**Instrument Panel, Visors and Trim  
Figure LBL5-110**



| ITEM | PART NUMBER | QTY | LINE | SERIES | BODY   | ENGINE | TRANS | TRIM | DESCRIPTION  |
|------|-------------|-----|------|--------|--------|--------|-------|------|--|
| 1    | 53015 958AA | 1   |      |        |        |        |       |      | LABEL, Warning, Rollover Risk, English-Arabic      |
| 2    | 5023 548AA  | 2   |      |        |        |        |       |      | LABEL, Air Bag Warning, English-Arabic             |
| 3    | 5032 545AA  | 2   |      |        | 77, 78 |        |       |      | LABEL, Air Bag Warning, Spanish                    |
| 4    | 4680 556AA  | 1   |      |        |        |        |       |      | DECAL, Seat Belt Safety, End Cap                   |
| 5    | 4595 749AA  | 1   |      |        |        |        |       |      | LABEL, Air Bag Warning, English-French             |
| 6    | 4851 416AA  | 1   |      |        | 77, 78 |        |       |      | LABEL, Air Bag Warning, Spanish                    |
| 7    | 56009 391AM | 1   |      |        |        |        |       |      | LABEL, Fuse Block                                  |
| 8    | 55314 966AB | 1   |      |        |        |        |       |      | LABEL, Airbag, European Equipment, Back of Air Bag |
| -9   |             |     |      |        |        |        |       |      | LABEL, Warning                                     |
|      | 55395 190AA | 1   |      |        |        |        |       |      | Seat belt warning on hard top                      |
|      | 55395 191AA | 1   |      |        |        |        |       |      | [ABD]Top removal caution                           |
| 10   | 5031 307AA  | 1   |      |        | 77, 78 |        |       |      | LABEL, Visor Warning, Mexico                       |

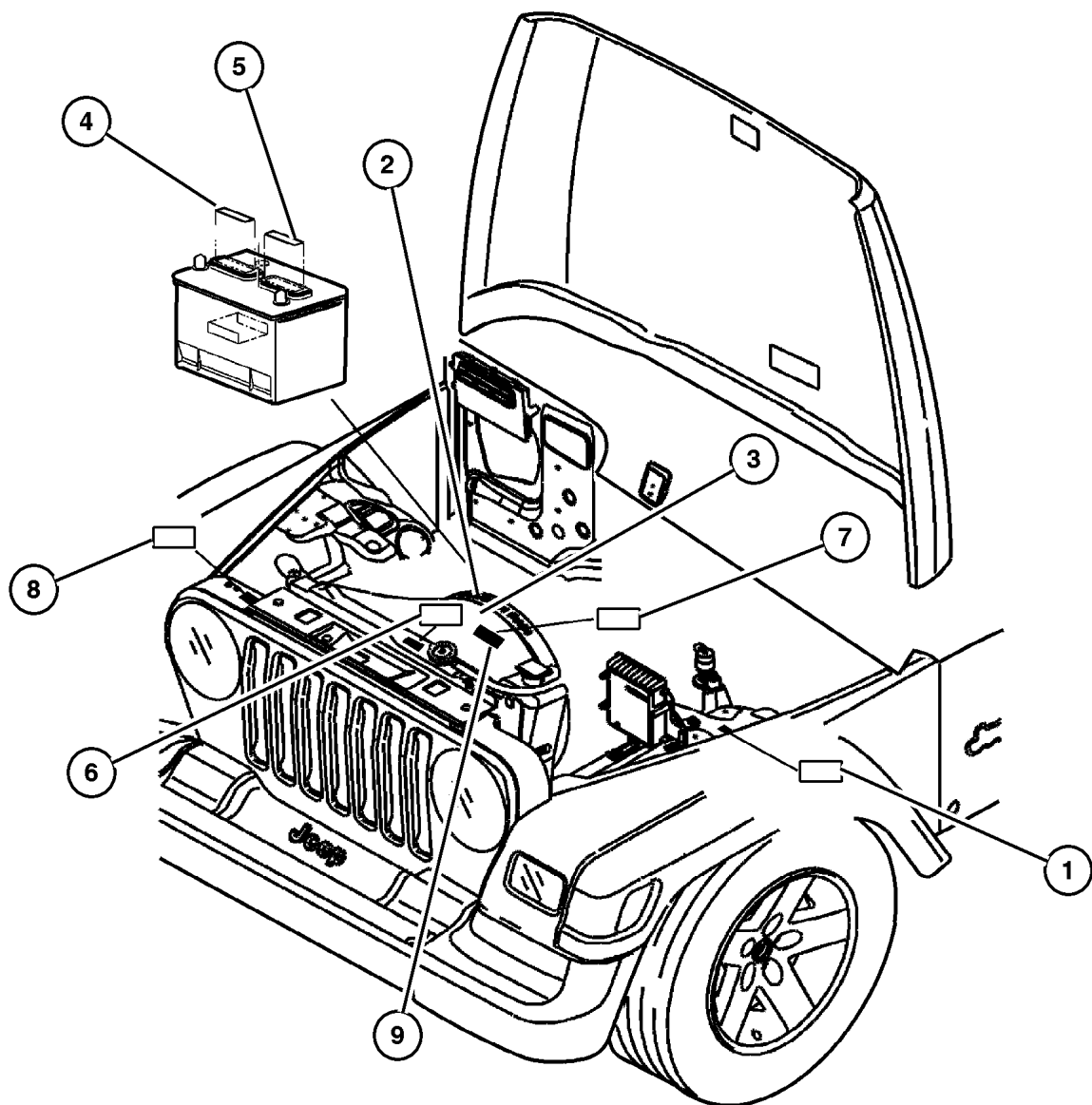
**JEEP WRANGLER (TJ)**

|             |                        |              |                       |                              |
|-------------|------------------------|--------------|-----------------------|------------------------------|
| SERIES      | LINE                   | BODY         | ENGINE                | TRANSMISSION                 |
| H = Sport   | J = Wrangler 4WD       | 77 = 93.4 WB | ED1, ED0 = 2.4L DOHC  | DGG, DGD = 32RH 3 Spd. Auto. |
| L = SE      | U = Wrangler 4WD (RHD) |              | ERH = 4.0L Power Tech | DDD = 5 Speed HD Manual      |
| M = X       |                        |              |                       | DG0 = Auto. Trans.           |
| P = Sahara  |                        |              |                       | DBB = Manual Trans.          |
| S = Rubicon |                        |              |                       | DDK = 5 Speed Manual         |

AR = Use as required - = Non illustrated part # = New this model year

August 27, 2004

**Engine Compartment  
Figure LBL5-210**



| ITEM | PART NUMBER | QTY | LINE | SERIES | BODY   | ENGINE | TRANS | TRIM | DESCRIPTION                              |
|------|-------------|-----|------|--------|--------|--------|-------|------|--|
| 1    |             |     |      |        |        |        |       |      | LABEL, Emission, T.B.D.                  |
|      | 5271 084AB  | 1   |      |        | 77, 78 | ED0    |       |      | Mexico                                   |
|      | 5271 285AC  | 1   |      |        | 77, 78 | ER0    |       |      | Mexico                                   |
|      | 52060 358AA | 1   |      |        |        | ED1    |       |      | [NAS]                                    |
|      | 52060 359AA | 1   |      |        |        | ER0    |       |      | [NAS]                                    |
|      | 52060 360AA | 1   |      |        |        | ED1    |       |      | [NA1]                                    |
|      | 52060 361AA | 1   |      |        |        | ER0    |       |      | [NA1]                                    |
| 2    |             |     |      |        |        |        |       |      | LABEL, Warning                           |
|      | 55037 666AA | 1   |      |        |        |        |       |      | Canadian                                 |
|      | 55037 667AA | 1   |      |        |        |        |       |      | Middle Eastern                           |
| 3    | 5503 7349   | 1   |      |        |        |        |       |      | LABEL, Air Conditioning System           |
| 4    |             |     |      |        |        |        |       |      | LABEL, Battery                           |
|      | 4606 818AA  | 1   |      |        | 77, 78 | ED0,   |       |      | [ABD]                                    |
|      |             |     |      |        |        | ER0    |       |      |  |
|      | 4793 062    | 1   |      |        | 77, 78 | ED0,   |       |      | [ABB]                                    |
|      |             |     |      |        |        | ER0    |       |      |  |
|      | 5032 786AA  | 1   |      |        | 77, 78 |        |       |      | Mexico                                   |
|      | 5604 1046   | 1   |      |        | 77, 78 |        |       |      | [XLR]                                    |
| 5    | 5604 1047   | 1   |      |        | 77, 78 |        |       |      | LABEL, Battery Jump Start                |
| 6    |             |     |      |        |        |        |       |      | LABEL, Belt Routing                      |
|      | 53031 758AA | 1   |      |        |        | ED0    |       |      |  |
|      | 53031 700AB | 1   |      |        |        | ER0    |       |      |  |
|      | 5032 794AA  | 1   |      |        |        | ER0    |       |      | Mexico                                   |
|      | 5032 904AA  | 1   |      |        | 77, 78 | ED0    |       |      | Mexico                                   |
| 7    |             |     |      |        |        |        |       |      | LABEL, Refrigerant                       |
|      | 55037 555AC | 1   |      |        |        |        |       |      |  |
|      | 55037 689AA | 1   |      |        |        |        |       |      | Middle Eastern                           |
|      | 55037 690AA | 1   |      |        |        |        |       |      | Canadian                                 |
| 8    | 5263 188    | 1   |      |        |        |        |       |      | LABEL, Headlamp Leveling                 |
| 9    | 5031 287AA  | 1   |      |        | 77, 78 |        |       |      | LABEL, Fan Caution, Mexico               |
| -10  | 5032 882AB  | 1   |      |        | 77, 78 |        |       |      | LABEL, Master Cylinder Reservoir, Mexico |

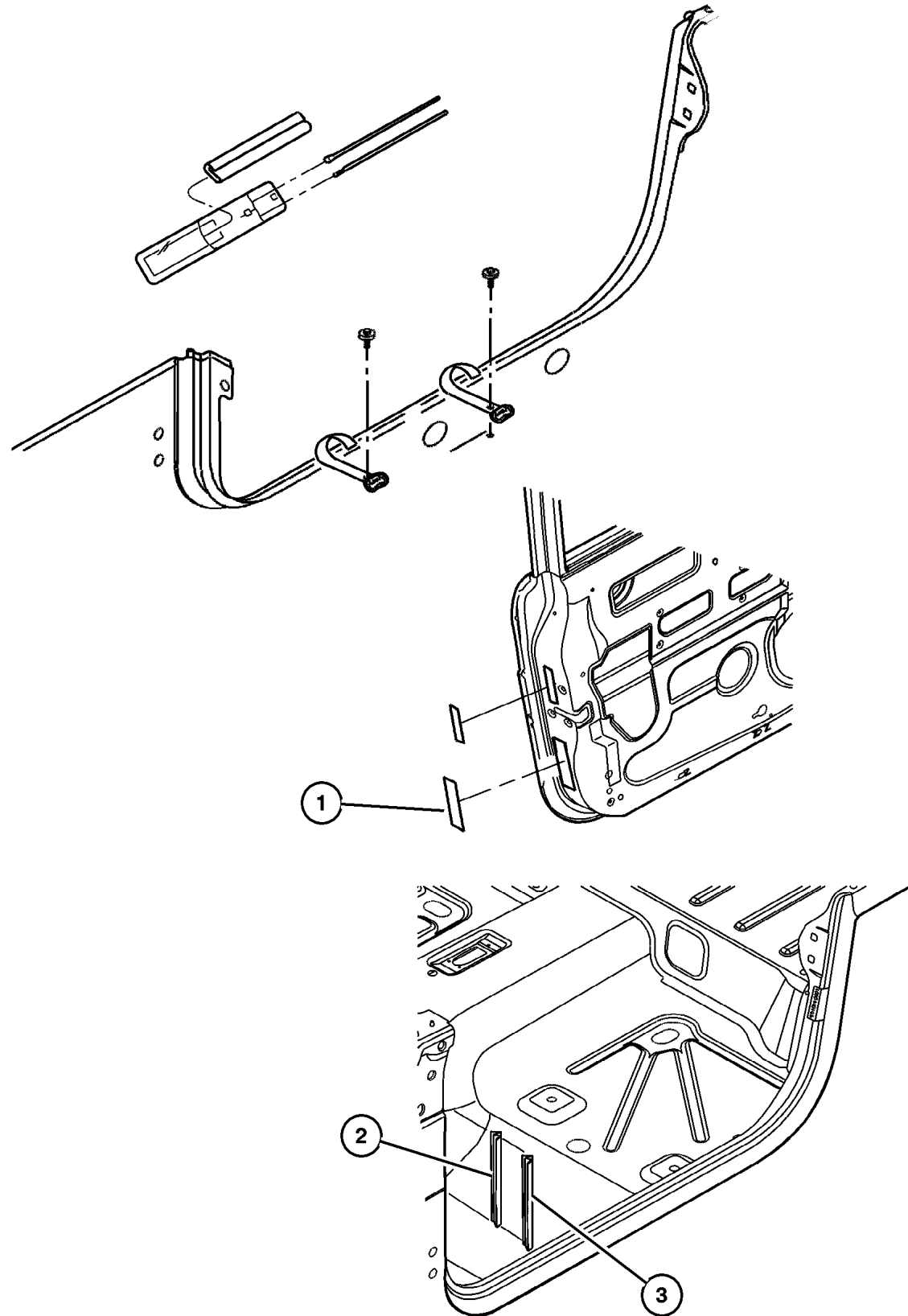
**JEEP WRANGLER (TJ)**

|             |                        |              |                       |                              |
|-------------|------------------------|--------------|-----------------------|------------------------------|
| SERIES      | LINE                   | BODY         | ENGINE                | TRANSMISSION                 |
| H = Sport   | J = Wrangler 4WD       | 77 = 93.4 WB | ED1, ED0 = 2.4L DOHC  | DGG, DGD = 32RH 3 Spd. Auto. |
| L = SE      | U = Wrangler 4WD (RHD) |              | ERH = 4.0L Power Tech | DDD = 5 Speed HD Manual      |
| M = X       |                        |              |                       | DG0 = Auto. Trans.           |
| P = Sahara  |                        |              |                       | DBB = Manual Trans.          |
| S = Rubicon |                        |              |                       | DDK = 5 Speed Manual         |

AR = Use as required - = Non illustrated part # = New this model year

August 27, 2004

Doors and Pillars  
Figure LBL5-310



| ITEM | PART NUMBER | QTY | LINE | SERIES | BODY | ENGINE | TRANS | TRIM | DESCRIPTION   |
|------|-------------|-----|------|--------|------|--------|-------|------|---|
| 1    |             |     |      |        |      |        |       |      | LABEL, Export, (NOT SERVICED)<br>(Not Serviced)     |
| 2    |             |     |      |        |      |        |       |      | LABEL, Certification, (NOT SERVICED) (Not Serviced) |
| 3    |             |     |      |        |      |        |       |      | OVERLAY, Vehicle Certification<br>Canada            |
|      | 4040 858    | 1   |      |        |      |        |       |      |   |
|      | 5300 7524   | 1   |      |        |      |        |       |      |   |

|                           |                        |              |                       |                                 |
|---------------------------|------------------------|--------------|-----------------------|---------------------------------|
| <b>JEEP WRANGLER (TJ)</b> |                        |              |                       |                                 |
| SERIES                    | LINE                   | BODY         | ENGINE                | TRANSMISSION                    |
| H = Sport                 | J = Wrangler 4WD       | 77 = 93.4 WB | ED1, ED0 = 2.4L DOHC  | DGG, DGD = 32RH 3 Spd.<br>Auto. |
| L = SE                    | U = Wrangler 4WD (RHD) |              | ERH = 4.0L Power Tech | DDD = 5 Speed HD Manual         |
| M = X                     |                        |              |                       | DG0 = Auto. Trans.              |
| P = Sahara                |                        |              |                       | DBB = Manual Trans.             |
| S = Rubicon               |                        |              |                       | DDK = 5 Speed Manual            |

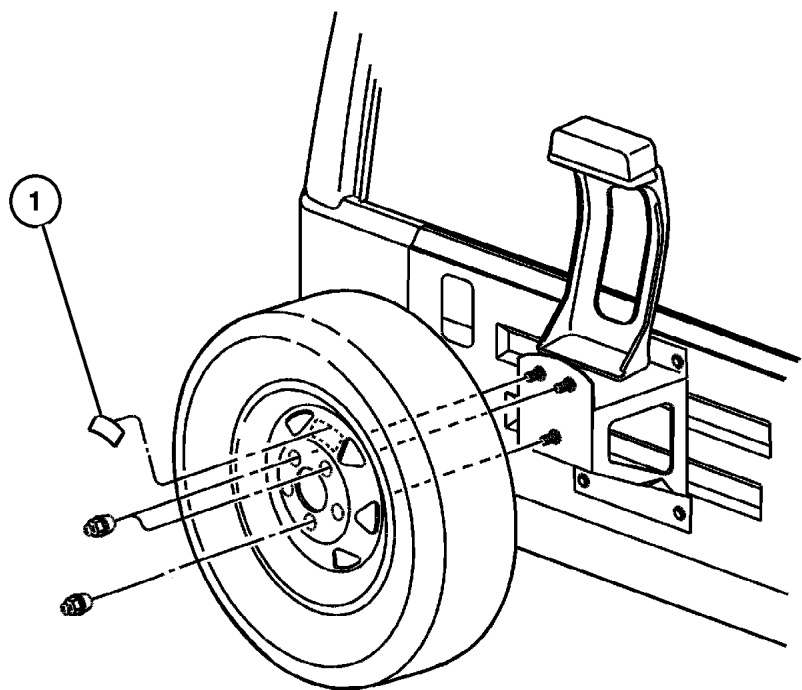
AR = Use as required - = Non illustrated part # = New this model year

August 27, 2004



**Spare Tire  
Figure LBL5-410**

| ITEM | PART NUMBER | QTY | LINE | SERIES | BODY | ENGINE | TRANS | TRIM | DESCRIPTION   |
|------|-------------|-----|------|--------|------|--------|-------|------|---|
| 1    |             |     |      |        |      |        |       |      | LABEL, Temporary Spare Tire<br>Warning, (NOT SERVICED) (Not Serviced) |
| -2   | 52110 392AB | 1   |      |        |      |        |       |      | LABEL, Jack Caution<br>Canada   |
|      | 52110 391AB | 1   |      |        |      |        |       |      |   |
|      | 52110 400AB | 1   |      |        |      |        |       |      | Export  |



**JEEP WRANGLER (TJ)**

|             |                        |              |                       |                              |
|-------------|------------------------|--------------|-----------------------|------------------------------|
| SERIES      | LINE                   | BODY         | ENGINE                | TRANSMISSION                 |
| H = Sport   | J = Wrangler 4WD       | 77 = 93.4 WB | ED1, ED0 = 2.4L DOHC  | DGG, DGD = 32RH 3 Spd. Auto. |
| L = SE      | U = Wrangler 4WD (RHD) |              | ERH = 4.0L Power Tech | DDD = 5 Speed HD Manual      |
| M = X       |                        |              |                       | DG0 = Auto. Trans.           |
| P = Sahara  |                        |              |                       | DBB = Manual Trans.          |
| S = Rubicon |                        |              |                       | DDK = 5 Speed Manual         |

AR = Use as required - = Non illustrated part # = New this model year